

 **BOEING**  
COMPONENT  
MAINTENANCE MANUAL

TO: ALL HOLDERS OF ENGINE OUTBOARD AND INBOARD SIDE FAN DUCT COWL ASSEMBLY -  
PW4000 COMPONENT MAINTENANCE MANUAL 71-11-56

REVISION NO. 17 DATED NOV 01/04

HIGHLIGHTS

Pages which have been added or revised are outlined below together with the highlights of the revision. Remove and insert the affected pages as listed and enter Revision No. and date on the Record of Revision Sheet.

CHAPTER/SECTION  
AND PAGE NO.

DESCRIPTION OF CHANGE

|                          |   |
|--------------------------|---|
| 301                      | Updated text to reflect the Illustrated Parts List. |
| REPAIR 2-1               |   |
| 601-618,620              |   |
| REPAIR 5-1               |   |
| 601                      |   |
| REPAIR 9-1               |   |
| 601                      |   |
| 702-705,711              |   |
| 1002-1020D,1020U-1034K,  |   |
| 1035-1040T,1040Y-1044L,  |   |
| 1044S-1048               |   |
| 1048A-1048L,1048Y-1056G, |   |
| 1056M-1060B,1060U-1074K, |   |
| 10740-1076F,1076U-1082B, |   |
| 1082E-1082R,1082U-1084A, |   |
| 1084C-1084H,1084K-1086C, |   |
| 1086G-1086Z,1088A-1088C, |   |
| 1088G                    |   |
| 1088H-1088S,1088Y-1092Y, |   |
| 1096A-1102F,1102I-1102M, |   |
| 11020-1102R,1102W-1104C, |   |
| 1104E-1104G,1104K-1104M, |   |
| 1104Q-1104S,1106S-1108K, |   |
| 11080                    |   |

**71-11-56**

HIGHLIGHTS

01.1

Page 1

Nov 01/04

ENGINE OUTBOARD AND INBOARD SIDE  
FAN DUCT COWL ASSEMBLY - PW4000

PART NUMBERS 315T4013-29 THRU -38,  
-45 THRU -48,-59,  
-60,-63 THRU -86,  
-99 THRU -128,-131,  
-132,-135 THRU -138,  
-145 THRU -152,-154,  
-156,-158,-160,-162,  
-164,-165,-167,-169,  
-171,-173,-175 THRU  
-183,-185 THRU -188  
315U4009-5 THRU -12,  
-21 THRU -24

COMPONENT MAINTENANCE MANUAL  
WITH  
ILLUSTRATED PARTS LIST

71-11-56

TITLE PAGE

01.1

Page 1

Mar 01/04

REVISION RECORD

- Retain this record in front of manual. On receipt of revision, insert revised pages in the manual, and enter revision number, date inserted and initial.

| REVISION NUMBER | REVISION DATE | DATE FILED | BY | REVISION NUMBER | REVISION DATE | DATE FILED | BY |
|-----------------|---------------|------------|----|-----------------|---------------|------------|----|
|                 |               |            |    |                 |               |            |    |

**71-11-56**

REVISION RECORD

01.1

Page 1

Oct 01/89

TEMPORARY REVISION AND SERVICE BULLETIN RECORD

| BOEING<br>SERVICE<br>BULLETIN | BOEING<br>TEMPORARY<br>REVISION | OTHER<br>DIRECTIVE | DATE OF<br>INCORPORATION<br>INTO MANUAL |
|-------------------------------|---------------------------------|--------------------|---|
|                               |                                 | PRR B11480-2       | APR 01/88                               |
|                               |                                 | PRR B11480-3       | APR 01/88                               |
|                               |                                 | PRR B11480-6       | APR 01/88                               |
|                               |                                 | PRR B11480-12      | APR 01/88                               |
|                               |                                 | PRR B11480-25      | APR 01/88                               |
|                               |                                 | PRR 80451-9        | APR 01/88                               |
|                               |                                 | PRR B11639         | APR 01/88                               |
|                               |                                 | PRR B11558         | APR 01/88                               |
|                               |                                 | PRR 80451-45       | OCT 01/89                               |
|                               |                                 | PRR B11480-65      | OCT 01/89                               |
|                               |                                 | PRR B11480-21      | OCT 01/89                               |
|                               |                                 | PRR B11480-55      | OCT 01/89                               |
|                               |                                 | PRR B11480-57      | OCT 01/89                               |
| 767-78-0069                   |                                 | PRR B12493         | JUL 01/93                               |
| 767-78-0069 R1                |                                 | PRR B12493         | DEC 01/94                               |
|                               |                                 | PRR 80451-69       | JUL 01/93                               |
| 747-78-2123                   |                                 | PRR 82928          | DEC 01/94                               |
|                               |                                 | PRR 80451-87       | DEC 01/94                               |
| 767-78-0062 R1                |                                 | PRR B12488         | DEC 01/94                               |
|                               | 747-71-35                       |                    | MAR 01/97                               |
|                               | 767-71-15                       |                    | MAR 01/97                               |
| 767-78A0080                   |                                 | PRR B12900-122     | NOV 01/00                               |
| 747-78A2164                   |                                 |                    | MAR 01/99                               |
| 767-78A0079                   |                                 |                    | MAR 01/99                               |
| 747-78A2165                   |                                 | PRR 85400-148      | NOV 01/00                               |
| 767-78-0062R5                 |                                 |                    | MAR 01/04                               |
| 767-78A0079R3                 |                                 |                    | MAR 01/04                               |
| 747-78A2164R3                 |                                 |                    | MAR 01/04                               |

71-11-56

TR & SB RECORD

01.1

Page 1

Mar 01/04

| PAGE                    | DATE      | CODE | PAGE           | DATE      | CODE |
|-------------------------|-----------|------|----------------|-----------|------|
| 71-11-56                |           |      | REPAIR-GENERAL |           |      |
|                         |           |      | 601            | MAR 01/97 | 01.1 |
|                         |           |      | 602            | MAR 01/04 | 01.1 |
| TITLE PAGE              |           |      | 603            | SEP 01/95 | 01.1 |
| 1                       | MAR 01/04 | 01.1 | 604            | JUN 01/95 | 01.1 |
| 2                       | BLANK     |      | REPAIR 1-1     |           |      |
| REVISION RECORD         |           |      | 601            | MAR 01/04 | 01.1 |
| 1                       | OCT 01/89 | 01.1 | 602            | BLANK     |      |
| 2                       | BLANK     |      | REPAIR 2-1     |           |      |
| TR & SB RECORD          |           |      | *601           | NOV 01/04 | 01.1 |
| 1                       | MAR 01/04 | 01.1 | *602           | NOV 01/04 | 01.1 |
| 2                       | BLANK     |      | *603           | NOV 01/04 | 01.1 |
| LIST OF EFFECTIVE PAGES |           |      | *604           | NOV 01/04 | 01.1 |
| *1                      | NOV 01/04 | 01   | *605           | NOV 01/04 | 01.1 |
| THRU LAST PAGE          |           |      | *606           | NOV 01/04 | 01.1 |
| CONTENTS                |           |      | *607           | NOV 01/04 | 01.1 |
| 1                       | OCT 01/89 | 01.1 | *608           | NOV 01/04 | 01.1 |
| 2                       | BLANK     |      | *609           | NOV 01/04 | 01.1 |
| INTRODUCTION            |           |      | *610           | NOV 01/04 | 01.1 |
| 1                       | OCT 01/89 | 01.1 | *611           | NOV 01/04 | 01.1 |
| 2                       | BLANK     |      | *612           | NOV 01/04 | 01.1 |
| DESCRIPTION & OPERATION |           |      | *613           | NOV 01/04 | 01.1 |
| 1                       | OCT 01/89 | 01.1 | *614           | NOV 01/04 | 01.1 |
| 2                       | BLANK     |      | *615           | NOV 01/04 | 01.1 |
| DISASSEMBLY             |           |      | *616           | NOV 01/04 | 01.1 |
| *301                    | NOV 01/04 | 01.1 | *617           | NOV 01/04 | 01.1 |
| 302                     | BLANK     |      | *618           | NOV 01/04 | 01.1 |
| CLEANING                |           |      | 619            | MAR 01/97 | 01.1 |
| 401                     | OCT 01/89 | 01.1 | *620           | NOV 01/04 | 01.1 |
| 402                     | BLANK     |      | 621            | MAR 01/97 | 01.1 |
| CHECK                   |           |      | 622            | MAR 01/97 | 01.1 |
| 501                     | MAR 01/04 | 01.1 | 623            | MAR 01/97 | 01.1 |
| 502                     | NOV 01/00 | 01.1 | 624            | MAR 01/97 | 01.1 |
|                         |           |      | 625            | MAR 01/97 | 01.1 |
|                         |           |      | 626            | MAR 01/97 | 01.1 |
|                         |           |      | REPAIR 3-1     |           |      |
|                         |           |      | 601            | NOV 01/00 | 01.1 |
|                         |           |      | 602            | BLANK     |      |

\* = REVISED, ADDED OR DELETED

**71-11-56**

EFFECTIVE PAGES  
CONTINUED Page 1  
01 Nov 01/04

| PAGE       | DATE      | CODE   | PAGE        | DATE      | CODE   |
|------------|-----------|--------|-------------|-----------|--------|
| REPAIR 4-1 |           |        | REPAIR 8-1  |           |        |
| 601        | MAR 01/04 | 01.1   | 601         | MAR 01/04 | 01.1   |
| 602        | BLANK     |        | 602         | OCT 01/89 | 01.1   |
| REPAIR 5-1 |           |        | 603         | OCT 01/89 | 01.1   |
| *601       | NOV 01/04 | 01.1   | 604         | BLANK     |        |
| 602        | BLANK     |        | REPAIR 9-1  |           |        |
| REPAIR 6-1 |           |        | *601        | NOV 01/04 | 01.1   |
| 601        | MAR 01/97 | 01.1   | 602         | BLANK     |        |
| 602        | NOV 01/00 | 01.1   | REPAIR 10-1 |           |        |
| 603        | NOV 01/00 | 01.1   | 601         | MAR 01/04 | 01.1   |
| 604        | NOV 01/00 | 01.1   | 602         | DEC 01/94 | 01.1   |
| 605        | NOV 01/00 | 01.1   | 603         | DEC 01/94 | 01.1   |
| 606        | NOV 01/00 | 01.1   | 604         | NOV 01/00 | 01.1   |
| 607        | NOV 01/00 | 01.1   | 605         | NOV 01/00 | 01.1   |
| 608        | NOV 01/00 | 01.1   | 606         | MAR 01/04 | 01.1   |
| 609        | NOV 01/00 | 01.1   | 607         | MAR 01/04 | 01.1   |
| 610        | NOV 01/00 | 01.1   | 608         | MAR 01/04 | 01.101 |
| 611        | NOV 01/00 | 01.1   | 609         | MAR 01/04 | 01.101 |
| 612        | NOV 01/00 | 01.1   | 610         | MAR 01/04 | 01.101 |
| 613        | NOV 01/00 | 01.1   | 611         | MAR 01/04 | 01.101 |
| 614        | NOV 01/00 | 01.1   | 612         | MAR 01/04 | 01.101 |
| 615        | MAR 01/97 | 01.101 | 613         | MAR 01/04 | 01.101 |
| 616        | MAR 01/04 | 01.1   | 614         | MAR 01/04 | 01.101 |
| 617        | MAR 01/97 | 01.101 | 615         | MAR 01/04 | 01.101 |
| 618        | MAR 01/04 | 01.1   | 616         | MAR 01/04 | 01.101 |
| 619        | MAR 01/97 | 01.1   | REPAIR 11-1 |           |        |
| 620        | MAR 01/97 | 01.1   | 601         | MAR 01/04 | 01.1   |
| 621        | MAR 01/97 | 01.1   | 602         | MAR 01/04 | 01.1   |
| 622        | MAR 01/97 | 01.1   | REPAIR 12-1 |           |        |
| 623        | MAR 01/97 | 01.1   | 601         | MAR 01/98 | 01.1   |
| 624        | MAR 01/97 | 01.1   | 602         | MAR 01/98 | 01.1   |
| 625        | MAR 01/97 | 01.1   | 603         | MAR 01/98 | 01.101 |
| 626        | MAR 01/04 | 01.1   | 604         | MAR 01/98 | 01.1   |
| 627        | MAR 01/04 | 01.1   | ASSEMBLY    |           |        |
| 628        | BLANK     |        | 701         | DEC 01/94 | 01.1   |
| REPAIR 7-1 |           |        | *702        | NOV 01/04 | 01.1   |
| 601        | MAR 01/04 | 01.1   | *703        | NOV 01/04 | 01.1   |
| 602        | MAR 01/04 | 01.1   | *704        | NOV 01/04 | 01.1   |
| 603        | MAR 01/04 | 01.1   |             |           |        |
| 604        | MAR 01/04 | 01.1   |             |           |        |

\* = REVISED, ADDED OR DELETED

# 71-11-56

EFFECTIVE PAGES  
 CONTINUED Page 2  
 01 Nov 01/04



**BOEING**  
COMPONENT  
MAINTENANCE MANUAL

| PAGE                | DATE      | CODE   | PAGE                   | DATE      | CODE |
|---------------------|-----------|--------|------------------------|-----------|------|
| ASSEMBLY            |           | CONT.  | ILLUSTRATED PARTS LIST |           |      |
| *705                | NOV 01/04 | 01.1   | 1001                   | OCT 01/89 | 01.1 |
| 706                 | MAR 01/97 | 01.1   | *1002                  | NOV 01/04 | 01.1 |
| 707                 | MAR 01/97 | 01.1   | *1003                  | NOV 01/04 | 01.1 |
| 708                 | MAR 01/97 | 01.1   | *1004                  | NOV 01/04 | 01.1 |
| *709                | NOV 01/04 | 01.1   | *1005                  | NOV 01/04 | 01.1 |
| 710                 | MAR 01/97 | 01.101 | *1006                  | NOV 01/04 | 01.1 |
| *711                | NOV 01/04 | 01.101 | *1007                  | NOV 01/04 | 01.1 |
| 712                 | MAR 01/97 | 01.1   | *1008                  | NOV 01/04 | 01.1 |
| 713                 | MAR 01/97 | 01.1   | *1009                  | NOV 01/04 | 01.1 |
| 714                 | MAR 01/97 | 01.1   | *1010                  | NOV 01/04 | 01.1 |
| 715                 | MAR 01/97 | 01.1   | *1010A                 | NOV 01/04 | 01.1 |
| 716                 | MAR 01/97 | 01.1   | *1010B                 | NOV 01/04 | 01.1 |
| 717                 | MAR 01/97 | 01.1   | *1010C                 | NOV 01/04 | 01.1 |
| 718                 | MAR 01/97 | 01.1   | *1010D                 | NOV 01/04 | 01.1 |
| 719                 | MAR 01/97 | 01.1   | *1010E                 | NOV 01/04 | 01.1 |
| 720                 | MAR 01/97 | 01.1   | *1010F                 | NOV 01/04 | 01.1 |
| 721                 | MAR 01/97 | 01.1   | *1010G                 | NOV 01/04 | 01.1 |
| 722                 | MAR 01/97 | 01.1   | *1010H                 | NOV 01/04 | 01.1 |
| 723                 | MAR 01/97 | 01.1   | *1010I                 | NOV 01/04 | 01.1 |
| 724                 | MAR 01/97 | 01.1   | *1010J                 | NOV 01/04 | 01.1 |
| 725                 | MAR 01/97 | 01.1   | *1010K                 | NOV 01/04 | 01.1 |
| 726                 | MAR 01/97 | 01.1   | *1010L                 | NOV 01/04 | 01.1 |
| 727                 | MAR 01/97 | 01.1   | *1010M                 | NOV 01/04 | 01.1 |
| 728                 | MAR 01/97 | 01.1   | *1010N                 | NOV 01/04 | 01.1 |
| 729                 | MAR 01/97 | 01.1   | *1010O                 | NOV 01/04 | 01.1 |
| 730                 | MAR 01/97 | 01.1   | *1010P                 | NOV 01/04 | 01.1 |
| 731                 | MAR 01/97 | 01.1   | *1010Q                 | NOV 01/04 | 01.1 |
| 732                 | MAR 01/97 | 01.1   | *1010R                 | NOV 01/04 | 01.1 |
| 733                 | MAR 01/97 | 01.1   | *1010S                 | NOV 01/04 | 01.1 |
| 734                 | MAR 01/97 | 01.1   | *1010T                 | NOV 01/04 | 01.1 |
| 735                 | MAR 01/97 | 01.1   | *1010U                 | NOV 01/04 | 01.1 |
| 736                 | MAR 01/97 | 01.1   | *1010V                 | NOV 01/04 | 01.1 |
| 737                 | MAR 01/97 | 01.1   | *1010W                 | NOV 01/04 | 01.1 |
| 738                 | BLANK     |        | *1010X                 | NOV 01/04 | 01.1 |
| FITS AND CLEARANCES |           |        | *1010Y                 | NOV 01/04 | 01.1 |
| 801                 | JUN 01/95 | 01.1   | *1010Z                 | NOV 01/04 | 01.1 |
| 802                 | BLANK     |        | *1011                  | NOV 01/04 | 01.1 |
|                     |           |        | *1012                  | NOV 01/04 | 01.1 |
|                     |           |        | *1012A                 | NOV 01/04 | 01.1 |
|                     |           |        | *1012B                 | NOV 01/04 | 01.1 |
|                     |           |        | *1012C                 | NOV 01/04 | 01.1 |
|                     |           |        | *1012D                 | NOV 01/04 | 01.1 |

\* = REVISED, ADDED OR DELETED

**71-11-56**

EFFECTIVE PAGES  
CONTINUED Page 3  
01 Nov 01/04

| PAGE                   | DATE      | CODE  | PAGE                   | DATE      | CODE  |
|------------------------|-----------|-------|------------------------|-----------|-------|
| ILLUSTRATED PARTS LIST |           | CONT. | ILLUSTRATED PARTS LIST |           | CONT. |
| *1012E                 | NOV 01/04 | 01.1  | *1014S                 | NOV 01/04 | 01.1  |
| *1012F                 | NOV 01/04 | 01.1  | *1014T                 | NOV 01/04 | 01.1  |
| *1012G                 | NOV 01/04 | 01.1  | *1014U                 | NOV 01/04 | 01.1  |
| *1012H                 | NOV 01/04 | 01.1  | *1014V                 | NOV 01/04 | 01.1  |
| *1012I                 | NOV 01/04 | 01.1  | *1014W                 | NOV 01/04 | 01.1  |
| *1012J                 | NOV 01/04 | 01.1  | *1014X                 | NOV 01/04 | 01.1  |
| *1012K                 | NOV 01/04 | 01.1  | *1014Y                 | NOV 01/04 | 01.1  |
| *1012L                 | NOV 01/04 | 01.1  | *1014Z                 | NOV 01/04 | 01.1  |
| *1012M                 | NOV 01/04 | 01.1  | *1015                  | NOV 01/04 | 01.1  |
| *1012N                 | NOV 01/04 | 01.1  | *1016                  | NOV 01/04 | 01.1  |
| *1012O                 | NOV 01/04 | 01.1  | *1016A                 | NOV 01/04 | 01.1  |
| *1012P                 | NOV 01/04 | 01.1  | *1016B                 | NOV 01/04 | 01.1  |
| *1012Q                 | NOV 01/04 | 01.1  | *1016C                 | NOV 01/04 | 01.1  |
| *1012R                 | NOV 01/04 | 01.1  | *1016D                 | NOV 01/04 | 01.1  |
| *1012S                 | NOV 01/04 | 01.1  | *1016E                 | NOV 01/04 | 01.1  |
| *1012T                 | NOV 01/04 | 01.1  | *1016F                 | NOV 01/04 | 01.1  |
| *1012U                 | NOV 01/04 | 01.1  | *1016G                 | NOV 01/04 | 01.1  |
| *1012V                 | NOV 01/04 | 01.1  | *1016H                 | NOV 01/04 | 01.1  |
| *1012W                 | NOV 01/04 | 01.1  | *1016I                 | NOV 01/04 | 01.1  |
| *1012X                 | NOV 01/04 | 01.1  | *1016J                 | NOV 01/04 | 01.1  |
| *1012Y                 | NOV 01/04 | 01.1  | *1016K                 | NOV 01/04 | 01.1  |
| *1012Z                 | NOV 01/04 | 01.1  | *1016L                 | NOV 01/04 | 01.1  |
| *1013                  | NOV 01/04 | 01.1  | *1016M                 | NOV 01/04 | 01.1  |
| *1014                  | NOV 01/04 | 01.1  | *1016N                 | NOV 01/04 | 01.1  |
| *1014A                 | NOV 01/04 | 01.1  | *1016O                 | NOV 01/04 | 01.1  |
| *1014B                 | NOV 01/04 | 01.1  | *1016P                 | NOV 01/04 | 01.1  |
| *1014C                 | NOV 01/04 | 01.1  | *1016Q                 | NOV 01/04 | 01.1  |
| *1014D                 | NOV 01/04 | 01.1  | *1016R                 | NOV 01/04 | 01.1  |
| *1014E                 | NOV 01/04 | 01.1  | *1016S                 | NOV 01/04 | 01.1  |
| *1014F                 | NOV 01/04 | 01.1  | *1016T                 | NOV 01/04 | 01.1  |
| *1014G                 | NOV 01/04 | 01.1  | *1016U                 | NOV 01/04 | 01.1  |
| *1014H                 | NOV 01/04 | 01.1  | *1016V                 | NOV 01/04 | 01.1  |
| *1014I                 | NOV 01/04 | 01.1  | *1016W                 | NOV 01/04 | 01.1  |
| *1014J                 | NOV 01/04 | 01.1  | *1016X                 | NOV 01/04 | 01.1  |
| *1014K                 | NOV 01/04 | 01.1  | *1016Y                 | NOV 01/04 | 01.1  |
| *1014L                 | NOV 01/04 | 01.1  | *1016Z                 | NOV 01/04 | 01.1  |
| *1014M                 | NOV 01/04 | 01.1  | *1017                  | NOV 01/04 | 01.1  |
| *1014N                 | NOV 01/04 | 01.1  | *1018                  | NOV 01/04 | 01.1  |
| *1014O                 | NOV 01/04 | 01.1  | *1018A                 | NOV 01/04 | 01.1  |
| *1014P                 | NOV 01/04 | 01.1  | *1018B                 | NOV 01/04 | 01.1  |
| *1014Q                 | NOV 01/04 | 01.1  | *1018C                 | NOV 01/04 | 01.1  |
| *1014R                 | NOV 01/04 | 01.1  | *1018D                 | NOV 01/04 | 01.1  |

\* = REVISED, ADDED OR DELETED

# 71-11-56

EFFECTIVE PAGES  
 CONTINUED Page 4  
 01 Nov 01/04





**BOEING**  
COMPONENT  
MAINTENANCE MANUAL

| PAGE        | DATE       | CODE |       | PAGE        | DATE       | CODE |       |
|-------------|------------|------|-------|-------------|------------|------|-------|
| ILLUSTRATED | PARTS LIST |      | CONT. | ILLUSTRATED | PARTS LIST |      | CONT. |
| *1018E      | NOV 01/04  | 01.1 |       | *1020S      | NOV 01/04  | 01.1 |       |
| *1018F      | NOV 01/04  | 01.1 |       | *1020T      | NOV 01/04  | 01.1 |       |
| *1018G      | NOV 01/04  | 01.1 |       | *1020U      | NOV 01/04  | 01.1 |       |
| *1018H      | NOV 01/04  | 01.1 |       | *1020V      | NOV 01/04  | 01.1 |       |
| *1018I      | NOV 01/04  | 01.1 |       | *1020W      | NOV 01/04  | 01.1 |       |
| *1018J      | NOV 01/04  | 01.1 |       | *1020X      | NOV 01/04  | 01.1 |       |
| *1018K      | NOV 01/04  | 01.1 |       | *1020Y      | NOV 01/04  | 01.1 |       |
| *1018L      | NOV 01/04  | 01.1 |       | *1020Z      | NOV 01/04  | 01.1 |       |
| *1018M      | NOV 01/04  | 01.1 |       | *1021       | NOV 01/04  | 01.1 |       |
| *1018N      | NOV 01/04  | 01.1 |       | *1022       | NOV 01/04  | 01.1 |       |
| *1018O      | NOV 01/04  | 01.1 |       | *1022A      | NOV 01/04  | 01.1 |       |
| *1018P      | NOV 01/04  | 01.1 |       | *1022B      | NOV 01/04  | 01.1 |       |
| *1018Q      | NOV 01/04  | 01.1 |       | *1022C      | NOV 01/04  | 01.1 |       |
| *1018R      | NOV 01/04  | 01.1 |       | *1022D      | NOV 01/04  | 01.1 |       |
| *1018S      | NOV 01/04  | 01.1 |       | *1022E      | NOV 01/04  | 01.1 |       |
| *1018T      | NOV 01/04  | 01.1 |       | *1022F      | NOV 01/04  | 01.1 |       |
| *1018U      | NOV 01/04  | 01.1 |       | *1022G      | NOV 01/04  | 01.1 |       |
| *1018V      | NOV 01/04  | 01.1 |       | *1022H      | NOV 01/04  | 01.1 |       |
| *1018W      | NOV 01/04  | 01.1 |       | *1022I      | NOV 01/04  | 01.1 |       |
| *1018X      | NOV 01/04  | 01.1 |       | *1022J      | NOV 01/04  | 01.1 |       |
| *1018Y      | NOV 01/04  | 01.1 |       | *1022K      | NOV 01/04  | 01.1 |       |
| *1018Z      | NOV 01/04  | 01.1 |       | *1022L      | NOV 01/04  | 01.1 |       |
| *1019       | NOV 01/04  | 01.1 |       | *1022M      | NOV 01/04  | 01.1 |       |
| *1020       | NOV 01/04  | 01.1 |       | *1022N      | NOV 01/04  | 01.1 |       |
| *1020A      | NOV 01/04  | 01.1 |       | *1022O      | NOV 01/04  | 01.1 |       |
| *1020B      | NOV 01/04  | 01.1 |       | *1022P      | NOV 01/04  | 01.1 |       |
| *1020C      | NOV 01/04  | 01.1 |       | *1022Q      | NOV 01/04  | 01.1 |       |
| *1020D      | NOV 01/04  | 01.1 |       | *1022R      | NOV 01/04  | 01.1 |       |
| *1020E      | NOV 01/04  | 01.1 |       | *1022S      | NOV 01/04  | 01.1 |       |
| *1020F      | NOV 01/04  | 01.1 |       | *1022T      | NOV 01/04  | 01.1 |       |
| *1020G      | NOV 01/04  | 01.1 |       | *1022U      | NOV 01/04  | 01.1 |       |
| *1020H      | NOV 01/04  | 01.1 |       | *1022V      | NOV 01/04  | 01.1 |       |
| *1020I      | NOV 01/04  | 01.1 |       | *1022W      | NOV 01/04  | 01.1 |       |
| *1020J      | NOV 01/04  | 01.1 |       | *1022X      | NOV 01/04  | 01.1 |       |
| *1020K      | NOV 01/04  | 01.1 |       | *1022Y      | NOV 01/04  | 01.1 |       |
| *1020L      | NOV 01/04  | 01.1 |       | *1022Z      | NOV 01/04  | 01.1 |       |
| *1020M      | NOV 01/04  | 01.1 |       | *1023       | NOV 01/04  | 01.1 |       |
| *1020N      | NOV 01/04  | 01.1 |       | *1024       | NOV 01/04  | 01.1 |       |
| *1020O      | NOV 01/04  | 01.1 |       | *1024A      | NOV 01/04  | 01.1 |       |
| *1020P      | NOV 01/04  | 01.1 |       | *1024B      | NOV 01/04  | 01.1 |       |
| *1020Q      | NOV 01/04  | 01.1 |       | *1024C      | NOV 01/04  | 01.1 |       |
| *1020R      | NOV 01/04  | 01.1 |       | *1024D      | NOV 01/04  | 01.1 |       |

\* = REVISED, ADDED OR DELETED

**71-11-56**

EFFECTIVE PAGES  
CONTINUED Page 5  
01 Nov 01/04

| PAGE                   | DATE      | CODE  | PAGE                   | DATE      | CODE  |
|------------------------|-----------|-------|------------------------|-----------|-------|
| ILLUSTRATED PARTS LIST |           | CONT. | ILLUSTRATED PARTS LIST |           | CONT. |
| *1024E                 | NOV 01/04 | 01.1  | *1026S                 | NOV 01/04 | 01.1  |
| *1024F                 | NOV 01/04 | 01.1  | *1026T                 | NOV 01/04 | 01.1  |
| *1024G                 | NOV 01/04 | 01.1  | *1026U                 | NOV 01/04 | 01.1  |
| *1024H                 | NOV 01/04 | 01.1  | *1026V                 | NOV 01/04 | 01.1  |
| *1024I                 | NOV 01/04 | 01.1  | *1026W                 | NOV 01/04 | 01.1  |
| *1024J                 | NOV 01/04 | 01.1  | *1026X                 | NOV 01/04 | 01.1  |
| *1024K                 | NOV 01/04 | 01.1  | *1026Y                 | NOV 01/04 | 01.1  |
| *1024L                 | NOV 01/04 | 01.1  | *1026Z                 | NOV 01/04 | 01.1  |
| *1024M                 | NOV 01/04 | 01.1  | *1027                  | NOV 01/04 | 01.1  |
| *1024N                 | NOV 01/04 | 01.1  | *1028                  | NOV 01/04 | 01.1  |
| *1024O                 | NOV 01/04 | 01.1  | *1028A                 | NOV 01/04 | 01.1  |
| *1024P                 | NOV 01/04 | 01.1  | *1028B                 | NOV 01/04 | 01.1  |
| *1024Q                 | NOV 01/04 | 01.1  | *1028C                 | NOV 01/04 | 01.1  |
| *1024R                 | NOV 01/04 | 01.1  | *1028D                 | NOV 01/04 | 01.1  |
| *1024S                 | NOV 01/04 | 01.1  | *1028E                 | NOV 01/04 | 01.1  |
| *1024T                 | NOV 01/04 | 01.1  | *1028F                 | NOV 01/04 | 01.1  |
| *1024U                 | NOV 01/04 | 01.1  | *1028G                 | NOV 01/04 | 01.1  |
| *1024V                 | NOV 01/04 | 01.1  | *1028H                 | NOV 01/04 | 01.1  |
| *1024W                 | NOV 01/04 | 01.1  | *1028I                 | NOV 01/04 | 01.1  |
| *1024X                 | NOV 01/04 | 01.1  | *1028J                 | NOV 01/04 | 01.1  |
| *1024Y                 | NOV 01/04 | 01.1  | *1028K                 | NOV 01/04 | 01.1  |
| *1024Z                 | NOV 01/04 | 01.1  | *1028L                 | NOV 01/04 | 01.1  |
| *1025                  | NOV 01/04 | 01.1  | *1028M                 | NOV 01/04 | 01.1  |
| *1026                  | NOV 01/04 | 01.1  | *1028N                 | NOV 01/04 | 01.1  |
| *1026A                 | NOV 01/04 | 01.1  | *1028O                 | NOV 01/04 | 01.1  |
| *1026B                 | NOV 01/04 | 01.1  | *1028P                 | NOV 01/04 | 01.1  |
| *1026C                 | NOV 01/04 | 01.1  | *1028Q                 | NOV 01/04 | 01.1  |
| *1026D                 | NOV 01/04 | 01.1  | *1028R                 | NOV 01/04 | 01.1  |
| *1026E                 | NOV 01/04 | 01.1  | *1028S                 | NOV 01/04 | 01.1  |
| *1026F                 | NOV 01/04 | 01.1  | *1028T                 | NOV 01/04 | 01.1  |
| *1026G                 | NOV 01/04 | 01.1  | *1028U                 | NOV 01/04 | 01.1  |
| *1026H                 | NOV 01/04 | 01.1  | *1028V                 | NOV 01/04 | 01.1  |
| *1026I                 | NOV 01/04 | 01.1  | *1028W                 | NOV 01/04 | 01.1  |
| *1026J                 | NOV 01/04 | 01.1  | *1028X                 | NOV 01/04 | 01.1  |
| *1026K                 | NOV 01/04 | 01.1  | *1028Y                 | NOV 01/04 | 01.1  |
| *1026L                 | NOV 01/04 | 01.1  | *1028Z                 | NOV 01/04 | 01.1  |
| *1026M                 | NOV 01/04 | 01.1  | *1029                  | NOV 01/04 | 01.1  |
| *1026N                 | NOV 01/04 | 01.1  | *1030                  | NOV 01/04 | 01.1  |
| *1026O                 | NOV 01/04 | 01.1  | *1030A                 | NOV 01/04 | 01.1  |
| *1026P                 | NOV 01/04 | 01.1  | *1030B                 | NOV 01/04 | 01.1  |
| *1026Q                 | NOV 01/04 | 01.1  | *1030C                 | NOV 01/04 | 01.1  |
| *1026R                 | NOV 01/04 | 01.1  | *1030D                 | NOV 01/04 | 01.1  |

\* = REVISED, ADDED OR DELETED

# 71-11-56

EFFECTIVE PAGES  
 CONTINUED Page 6  
 01 Nov 01/04

| PAGE        | DATE       | CODE |       | PAGE        | DATE       | CODE |       |
|-------------|------------|------|-------|-------------|------------|------|-------|
| ILLUSTRATED | PARTS LIST |      | CONT. | ILLUSTRATED | PARTS LIST |      | CONT. |
| *1030E      | NOV 01/04  | 01.1 |       | *1032S      | NOV 01/04  | 01.1 |       |
| *1030F      | NOV 01/04  | 01.1 |       | *1032T      | NOV 01/04  | 01.1 |       |
| *1030G      | NOV 01/04  | 01.1 |       | *1032U      | NOV 01/04  | 01.1 |       |
| *1030H      | NOV 01/04  | 01.1 |       | *1032V      | NOV 01/04  | 01.1 |       |
| *1030I      | NOV 01/04  | 01.1 |       | *1032W      | NOV 01/04  | 01.1 |       |
| *1030J      | NOV 01/04  | 01.1 |       | *1032X      | NOV 01/04  | 01.1 |       |
| *1030K      | NOV 01/04  | 01.1 |       | *1032Y      | NOV 01/04  | 01.1 |       |
| *1030L      | NOV 01/04  | 01.1 |       | *1032Z      | NOV 01/04  | 01.1 |       |
| *1030M      | NOV 01/04  | 01.1 |       | *1033       | NOV 01/04  | 01.1 |       |
| *1030N      | NOV 01/04  | 01.1 |       | *1034       | NOV 01/04  | 01.1 |       |
| *1030O      | NOV 01/04  | 01.1 |       | *1034A      | NOV 01/04  | 01.1 |       |
| *1030P      | NOV 01/04  | 01.1 |       | *1034B      | NOV 01/04  | 01.1 |       |
| *1030Q      | NOV 01/04  | 01.1 |       | *1034C      | NOV 01/04  | 01.1 |       |
| *1030R      | NOV 01/04  | 01.1 |       | *1034D      | NOV 01/04  | 01.1 |       |
| *1030S      | NOV 01/04  | 01.1 |       | *1034E      | NOV 01/04  | 01.1 |       |
| *1030T      | NOV 01/04  | 01.1 |       | *1034F      | NOV 01/04  | 01.1 |       |
| *1030U      | NOV 01/04  | 01.1 |       | *1034G      | NOV 01/04  | 01.1 |       |
| *1030V      | NOV 01/04  | 01.1 |       | *1034H      | NOV 01/04  | 01.1 |       |
| *1030W      | NOV 01/04  | 01.1 |       | *1034I      | NOV 01/04  | 01.1 |       |
| *1030X      | NOV 01/04  | 01.1 |       | *1034J      | NOV 01/04  | 01.1 |       |
| *1030Y      | NOV 01/04  | 01.1 |       | *1034K      | NOV 01/04  | 01.1 |       |
| *1030Z      | NOV 01/04  | 01.1 |       | *1034L      | NOV 01/04  | 01.1 |       |
| *1031       | NOV 01/04  | 01.1 |       | *1034M      | NOV 01/04  | 01.1 |       |
| *1032       | NOV 01/04  | 01.1 |       | *1034N      | NOV 01/04  | 01.1 |       |
| *1032A      | NOV 01/04  | 01.1 |       | *1034O      | NOV 01/04  | 01.1 |       |
| *1032B      | NOV 01/04  | 01.1 |       | *1034P      | NOV 01/04  | 01.1 |       |
| *1032C      | NOV 01/04  | 01.1 |       | *1034Q      | NOV 01/04  | 01.1 |       |
| *1032D      | NOV 01/04  | 01.1 |       | *1034R      | NOV 01/04  | 01.1 |       |
| *1032E      | NOV 01/04  | 01.1 |       | *1034S      | NOV 01/04  | 01.1 |       |
| *1032F      | NOV 01/04  | 01.1 |       | *1034T      | NOV 01/04  | 01.1 |       |
| *1032G      | NOV 01/04  | 01.1 |       | *1034U      | NOV 01/04  | 01.1 |       |
| *1032H      | NOV 01/04  | 01.1 |       | *1034V      | NOV 01/04  | 01.1 |       |
| *1032I      | NOV 01/04  | 01.1 |       | *1034W      | NOV 01/04  | 01.1 |       |
| *1032J      | NOV 01/04  | 01.1 |       | *1034X      | NOV 01/04  | 01.1 |       |
| *1032K      | NOV 01/04  | 01.1 |       | *1034Y      | NOV 01/04  | 01.1 |       |
| *1032L      | NOV 01/04  | 01.1 |       | *1034Z      | NOV 01/04  | 01.1 |       |
| *1032M      | NOV 01/04  | 01.1 |       | *1035       | NOV 01/04  | 01.1 |       |
| *1032N      | NOV 01/04  | 01.1 |       | *1036       | NOV 01/04  | 01.1 |       |
| *1032O      | NOV 01/04  | 01.1 |       | *1036A      | NOV 01/04  | 01.1 |       |
| *1032P      | NOV 01/04  | 01.1 |       | *1036B      | NOV 01/04  | 01.1 |       |
| *1032Q      | NOV 01/04  | 01.1 |       | *1036C      | NOV 01/04  | 01.1 |       |
| *1032R      | NOV 01/04  | 01.1 |       | *1036D      | NOV 01/04  | 01.1 |       |

\* = REVISED, ADDED OR DELETED

**71-11-56**

EFFECTIVE PAGES  
CONTINUED Page 7  
01 Nov 01/04

| PAGE                   | DATE      | CODE  | PAGE                   | DATE      | CODE  |
|------------------------|-----------|-------|------------------------|-----------|-------|
| ILLUSTRATED PARTS LIST |           | CONT. | ILLUSTRATED PARTS LIST |           | CONT. |
| *1036E                 | NOV 01/04 | 01.1  | *1038S                 | NOV 01/04 | 01.1  |
| *1036F                 | NOV 01/04 | 01.1  | *1038T                 | NOV 01/04 | 01.1  |
| *1036G                 | NOV 01/04 | 01.1  | *1038U                 | NOV 01/04 | 01.1  |
| *1036H                 | NOV 01/04 | 01.1  | *1038V                 | NOV 01/04 | 01.1  |
| *1036I                 | NOV 01/04 | 01.1  | *1038W                 | NOV 01/04 | 01.1  |
| *1036J                 | NOV 01/04 | 01.1  | *1038X                 | NOV 01/04 | 01.1  |
| *1036K                 | NOV 01/04 | 01.1  | *1038Y                 | NOV 01/04 | 01.1  |
| *1036L                 | NOV 01/04 | 01.1  | *1038Z                 | NOV 01/04 | 01.1  |
| *1036M                 | NOV 01/04 | 01.1  | *1039                  | NOV 01/04 | 01.1  |
| *1036N                 | NOV 01/04 | 01.1  | *1040                  | NOV 01/04 | 01.1  |
| *1036O                 | NOV 01/04 | 01.1  | *1040A                 | NOV 01/04 | 01.1  |
| *1036P                 | NOV 01/04 | 01.1  | *1040B                 | NOV 01/04 | 01.1  |
| *1036Q                 | NOV 01/04 | 01.1  | *1040C                 | NOV 01/04 | 01.1  |
| *1036R                 | NOV 01/04 | 01.1  | *1040D                 | NOV 01/04 | 01.1  |
| *1036S                 | NOV 01/04 | 01.1  | *1040E                 | NOV 01/04 | 01.1  |
| *1036T                 | NOV 01/04 | 01.1  | *1040F                 | NOV 01/04 | 01.1  |
| *1036U                 | NOV 01/04 | 01.1  | *1040G                 | NOV 01/04 | 01.1  |
| *1036V                 | NOV 01/04 | 01.1  | *1040H                 | NOV 01/04 | 01.1  |
| *1036W                 | NOV 01/04 | 01.1  | *1040I                 | NOV 01/04 | 01.1  |
| *1036X                 | NOV 01/04 | 01.1  | *1040J                 | NOV 01/04 | 01.1  |
| *1036Y                 | NOV 01/04 | 01.1  | *1040K                 | NOV 01/04 | 01.1  |
| *1036Z                 | NOV 01/04 | 01.1  | *1040L                 | NOV 01/04 | 01.1  |
| *1037                  | NOV 01/04 | 01.1  | *1040M                 | NOV 01/04 | 01.1  |
| *1038                  | NOV 01/04 | 01.1  | *1040N                 | NOV 01/04 | 01.1  |
| *1038A                 | NOV 01/04 | 01.1  | *1040O                 | NOV 01/04 | 01.1  |
| *1038B                 | NOV 01/04 | 01.1  | *1040P                 | NOV 01/04 | 01.1  |
| *1038C                 | NOV 01/04 | 01.1  | *1040Q                 | NOV 01/04 | 01.1  |
| *1038D                 | NOV 01/04 | 01.1  | *1040R                 | NOV 01/04 | 01.1  |
| *1038E                 | NOV 01/04 | 01.1  | *1040S                 | NOV 01/04 | 01.1  |
| *1038F                 | NOV 01/04 | 01.1  | *1040T                 | NOV 01/04 | 01.1  |
| *1038G                 | NOV 01/04 | 01.1  | *1040U                 | NOV 01/04 | 01.1  |
| *1038H                 | NOV 01/04 | 01.1  | *1040V                 | NOV 01/04 | 01.1  |
| *1038I                 | NOV 01/04 | 01.1  | *1040W                 | NOV 01/04 | 01.1  |
| *1038J                 | NOV 01/04 | 01.1  | *1040X                 | NOV 01/04 | 01.1  |
| *1038K                 | NOV 01/04 | 01.1  | *1040Y                 | NOV 01/04 | 01.1  |
| *1038L                 | NOV 01/04 | 01.1  | *1040Z                 | NOV 01/04 | 01.1  |
| *1038M                 | NOV 01/04 | 01.1  | *1041                  | NOV 01/04 | 01.1  |
| *1038N                 | NOV 01/04 | 01.1  | *1042                  | NOV 01/04 | 01.1  |
| *1038O                 | NOV 01/04 | 01.1  | *1042A                 | NOV 01/04 | 01.1  |
| *1038P                 | NOV 01/04 | 01.1  | *1042B                 | NOV 01/04 | 01.1  |
| *1038Q                 | NOV 01/04 | 01.1  | *1042C                 | NOV 01/04 | 01.1  |
| *1038R                 | NOV 01/04 | 01.1  | *1042D                 | NOV 01/04 | 01.1  |

\* = REVISED, ADDED OR DELETED

# 71-11-56

EFFECTIVE PAGES  
 CONTINUED Page 8  
 01 Nov 01/04



**BOEING**  
COMPONENT  
MAINTENANCE MANUAL

| PAGE        | DATE       | CODE |       | PAGE        | DATE       | CODE |       |
|-------------|------------|------|-------|-------------|------------|------|-------|
| ILLUSTRATED | PARTS LIST |      | CONT. | ILLUSTRATED | PARTS LIST |      | CONT. |
| *1042E      | NOV 01/04  | 01.1 |       | *1044S      | NOV 01/04  | 01.1 |       |
| *1042F      | NOV 01/04  | 01.1 |       | *1044T      | NOV 01/04  | 01.1 |       |
| *1042G      | NOV 01/04  | 01.1 |       | *1044U      | NOV 01/04  | 01.1 |       |
| *1042H      | NOV 01/04  | 01.1 |       | *1044V      | NOV 01/04  | 01.1 |       |
| *1042I      | NOV 01/04  | 01.1 |       | *1044W      | NOV 01/04  | 01.1 |       |
| *1042J      | NOV 01/04  | 01.1 |       | *1044X      | NOV 01/04  | 01.1 |       |
| *1042K      | NOV 01/04  | 01.1 |       | *1044Y      | NOV 01/04  | 01.1 |       |
| *1042L      | NOV 01/04  | 01.1 |       | *1044Z      | NOV 01/04  | 01.1 |       |
| *1042M      | NOV 01/04  | 01.1 |       | *1045       | NOV 01/04  | 01.1 |       |
| *1042N      | NOV 01/04  | 01.1 |       | *1046       | NOV 01/04  | 01.1 |       |
| *1042O      | NOV 01/04  | 01.1 |       | *1046A      | NOV 01/04  | 01.1 |       |
| *1042P      | NOV 01/04  | 01.1 |       | *1046B      | NOV 01/04  | 01.1 |       |
| *1042Q      | NOV 01/04  | 01.1 |       | *1046C      | NOV 01/04  | 01.1 |       |
| *1042R      | NOV 01/04  | 01.1 |       | *1046D      | NOV 01/04  | 01.1 |       |
| *1042S      | NOV 01/04  | 01.1 |       | *1046E      | NOV 01/04  | 01.1 |       |
| *1042T      | NOV 01/04  | 01.1 |       | *1046F      | NOV 01/04  | 01.1 |       |
| *1042U      | NOV 01/04  | 01.1 |       | *1046G      | NOV 01/04  | 01.1 |       |
| *1042V      | NOV 01/04  | 01.1 |       | *1046H      | NOV 01/04  | 01.1 |       |
| *1042W      | NOV 01/04  | 01.1 |       | *1046I      | NOV 01/04  | 01.1 |       |
| *1042X      | NOV 01/04  | 01.1 |       | *1046J      | NOV 01/04  | 01.1 |       |
| *1042Y      | NOV 01/04  | 01.1 |       | *1046K      | NOV 01/04  | 01.1 |       |
| *1042Z      | NOV 01/04  | 01.1 |       | *1046L      | NOV 01/04  | 01.1 |       |
| *1043       | NOV 01/04  | 01.1 |       | *1046M      | NOV 01/04  | 01.1 |       |
| *1044       | NOV 01/04  | 01.1 |       | *1046N      | NOV 01/04  | 01.1 |       |
| *1044A      | NOV 01/04  | 01.1 |       | *1046O      | NOV 01/04  | 01.1 |       |
| *1044B      | NOV 01/04  | 01.1 |       | *1046P      | NOV 01/04  | 01.1 |       |
| *1044C      | NOV 01/04  | 01.1 |       | *1046Q      | NOV 01/04  | 01.1 |       |
| *1044D      | NOV 01/04  | 01.1 |       | *1046R      | NOV 01/04  | 01.1 |       |
| *1044E      | NOV 01/04  | 01.1 |       | *1046S      | NOV 01/04  | 01.1 |       |
| *1044F      | NOV 01/04  | 01.1 |       | *1046T      | NOV 01/04  | 01.1 |       |
| *1044G      | NOV 01/04  | 01.1 |       | *1046U      | NOV 01/04  | 01.1 |       |
| *1044H      | NOV 01/04  | 01.1 |       | *1046V      | NOV 01/04  | 01.1 |       |
| *1044I      | NOV 01/04  | 01.1 |       | *1046W      | NOV 01/04  | 01.1 |       |
| *1044J      | NOV 01/04  | 01.1 |       | *1046X      | NOV 01/04  | 01.1 |       |
| *1044K      | NOV 01/04  | 01.1 |       | *1046Y      | NOV 01/04  | 01.1 |       |
| *1044L      | NOV 01/04  | 01.1 |       | *1046Z      | NOV 01/04  | 01.1 |       |
| *1044M      | NOV 01/04  | 01.1 |       | *1047       | NOV 01/04  | 01.1 |       |
| *1044N      | NOV 01/04  | 01.1 |       | *1048       | NOV 01/04  | 01.1 |       |
| *1044O      | NOV 01/04  | 01.1 |       | *1048A      | NOV 01/04  | 01.1 |       |
| *1044P      | NOV 01/04  | 01.1 |       | *1048B      | NOV 01/04  | 01.1 |       |
| *1044Q      | NOV 01/04  | 01.1 |       | *1048C      | NOV 01/04  | 01.1 |       |
| *1044R      | NOV 01/04  | 01.1 |       | *1048D      | NOV 01/04  | 01.1 |       |

\* = REVISED, ADDED OR DELETED

**71-11-56**

EFFECTIVE PAGES  
CONTINUED Page 9  
01 Nov 01/04

| PAGE        | DATE       | CODE  | PAGE        | DATE       | CODE  |
|-------------|------------|-------|-------------|------------|-------|
| ILLUSTRATED | PARTS LIST | CONT. | ILLUSTRATED | PARTS LIST | CONT. |
| *1048E      | NOV 01/04  | 01.1  | *1050S      | NOV 01/04  | 01.1  |
| *1048F      | NOV 01/04  | 01.1  | *1050T      | NOV 01/04  | 01.1  |
| *1048G      | NOV 01/04  | 01.1  | *1050U      | NOV 01/04  | 01.1  |
| *1048H      | NOV 01/04  | 01.1  | *1050V      | NOV 01/04  | 01.1  |
| *1048I      | NOV 01/04  | 01.1  | *1050W      | NOV 01/04  | 01.1  |
| *1048J      | NOV 01/04  | 01.1  | *1050X      | NOV 01/04  | 01.1  |
| *1048K      | NOV 01/04  | 01.1  | *1050Y      | NOV 01/04  | 01.1  |
| *1048L      | NOV 01/04  | 01.1  | *1050Z      | NOV 01/04  | 01.1  |
| *1048M      | BLANK      |       | *1051       | NOV 01/04  | 01.1  |
| *1048N      | NOV 01/04  | 01.1  | *1052       | NOV 01/04  | 01.1  |
| *1048O      | NOV 01/04  | 01.1  | *1052A      | NOV 01/04  | 01.1  |
| *1048P      | NOV 01/04  | 01.1  | *1052B      | NOV 01/04  | 01.1  |
| *1048Q      | NOV 01/04  | 01.1  | *1052C      | NOV 01/04  | 01.1  |
| *1048R      | NOV 01/04  | 01.1  | *1052D      | NOV 01/04  | 01.1  |
| *1048S      | NOV 01/04  | 01.1  | *1052E      | NOV 01/04  | 01.1  |
| *1048T      | NOV 01/04  | 01.1  | *1052F      | NOV 01/04  | 01.1  |
| *1048U      | NOV 01/04  | 01.1  | *1052G      | NOV 01/04  | 01.1  |
| *1048V      | NOV 01/04  | 01.1  | *1052H      | NOV 01/04  | 01.1  |
| *1048W      | NOV 01/04  | 01.1  | *1052I      | NOV 01/04  | 01.1  |
| *1048X      | NOV 01/04  | 01.1  | *1052J      | NOV 01/04  | 01.1  |
| *1048Y      | NOV 01/04  | 01.1  | *1052K      | NOV 01/04  | 01.1  |
| *1048Z      | NOV 01/04  | 01.1  | *1052L      | NOV 01/04  | 01.1  |
| *1049       | NOV 01/04  | 01.1  | *1052M      | NOV 01/04  | 01.1  |
| *1050       | NOV 01/04  | 01.1  | *1052N      | NOV 01/04  | 01.1  |
| *1050A      | NOV 01/04  | 01.1  | *1052O      | NOV 01/04  | 01.1  |
| *1050B      | NOV 01/04  | 01.1  | *1052P      | NOV 01/04  | 01.1  |
| *1050C      | NOV 01/04  | 01.1  | *1052Q      | NOV 01/04  | 01.1  |
| *1050D      | NOV 01/04  | 01.1  | *1052R      | NOV 01/04  | 01.1  |
| *1050E      | NOV 01/04  | 01.1  | *1052S      | NOV 01/04  | 01.1  |
| *1050F      | NOV 01/04  | 01.1  | *1052T      | NOV 01/04  | 01.1  |
| *1050G      | NOV 01/04  | 01.1  | *1052U      | NOV 01/04  | 01.1  |
| *1050H      | NOV 01/04  | 01.1  | *1052V      | NOV 01/04  | 01.1  |
| *1050I      | NOV 01/04  | 01.1  | *1052W      | NOV 01/04  | 01.1  |
| *1050J      | NOV 01/04  | 01.1  | *1052X      | NOV 01/04  | 01.1  |
| *1050K      | NOV 01/04  | 01.1  | *1052Y      | NOV 01/04  | 01.1  |
| *1050L      | NOV 01/04  | 01.1  | *1052Z      | NOV 01/04  | 01.1  |
| *1050M      | NOV 01/04  | 01.1  | *1053       | NOV 01/04  | 01.1  |
| *1050N      | NOV 01/04  | 01.1  | *1054       | NOV 01/04  | 01.1  |
| *1050O      | NOV 01/04  | 01.1  | *1054A      | NOV 01/04  | 01.1  |
| *1050P      | NOV 01/04  | 01.1  | *1054B      | NOV 01/04  | 01.1  |
| *1050Q      | NOV 01/04  | 01.1  | *1054C      | NOV 01/04  | 01.1  |
| *1050R      | NOV 01/04  | 01.1  | *1054D      | NOV 01/04  | 01.1  |

\* = REVISED, ADDED OR DELETED

# 71-11-56

EFFECTIVE PAGES  
 CONTINUED Page 10  
 01 Nov 01/04



**BOEING**  
COMPONENT  
MAINTENANCE MANUAL

| PAGE        | DATE       | CODE  | PAGE        | DATE       | CODE  |
|-------------|------------|-------|-------------|------------|-------|
| ILLUSTRATED | PARTS LIST | CONT. | ILLUSTRATED | PARTS LIST | CONT. |
| *1054E      | NOV 01/04  | 01.1  | *1056S      | NOV 01/04  | 01.1  |
| *1054F      | NOV 01/04  | 01.1  | *1056T      | NOV 01/04  | 01.1  |
| *1054G      | NOV 01/04  | 01.1  | *1056U      | NOV 01/04  | 01.1  |
| *1054H      | NOV 01/04  | 01.1  | *1056V      | NOV 01/04  | 01.1  |
| *1054I      | NOV 01/04  | 01.1  | *1056W      | NOV 01/04  | 01.1  |
| *1054J      | NOV 01/04  | 01.1  | *1056X      | NOV 01/04  | 01.1  |
| *1054K      | NOV 01/04  | 01.1  | *1056Y      | NOV 01/04  | 01.1  |
| *1054L      | NOV 01/04  | 01.1  | *1056Z      | NOV 01/04  | 01.1  |
| *1054M      | NOV 01/04  | 01.1  | *1057       | NOV 01/04  | 01.1  |
| *1054N      | NOV 01/04  | 01.1  | *1058       | NOV 01/04  | 01.1  |
| *1054O      | NOV 01/04  | 01.1  | *1058A      | NOV 01/04  | 01.1  |
| *1054P      | NOV 01/04  | 01.1  | *1058B      | NOV 01/04  | 01.1  |
| *1054Q      | NOV 01/04  | 01.1  | *1058C      | NOV 01/04  | 01.1  |
| *1054R      | NOV 01/04  | 01.1  | *1058D      | NOV 01/04  | 01.1  |
| *1054S      | NOV 01/04  | 01.1  | *1058E      | NOV 01/04  | 01.1  |
| *1054T      | NOV 01/04  | 01.1  | *1058F      | NOV 01/04  | 01.1  |
| *1054U      | NOV 01/04  | 01.1  | *1058G      | NOV 01/04  | 01.1  |
| *1054V      | NOV 01/04  | 01.1  | *1058H      | NOV 01/04  | 01.1  |
| *1054W      | NOV 01/04  | 01.1  | *1058I      | NOV 01/04  | 01.1  |
| *1054X      | NOV 01/04  | 01.1  | *1058J      | NOV 01/04  | 01.1  |
| *1054Y      | NOV 01/04  | 01.1  | *1058K      | NOV 01/04  | 01.1  |
| *1054Z      | NOV 01/04  | 01.1  | *1058L      | NOV 01/04  | 01.1  |
| *1055       | NOV 01/04  | 01.1  | *1058M      | NOV 01/04  | 01.1  |
| *1056       | NOV 01/04  | 01.1  | *1058N      | NOV 01/04  | 01.1  |
| *1056A      | NOV 01/04  | 01.1  | *1058O      | NOV 01/04  | 01.1  |
| *1056B      | NOV 01/04  | 01.1  | *1058P      | NOV 01/04  | 01.1  |
| *1056C      | NOV 01/04  | 01.1  | *1058Q      | NOV 01/04  | 01.1  |
| *1056D      | NOV 01/04  | 01.1  | *1058R      | NOV 01/04  | 01.1  |
| *1056E      | NOV 01/04  | 01.1  | *1058S      | NOV 01/04  | 01.1  |
| *1056F      | NOV 01/04  | 01.1  | *1058T      | NOV 01/04  | 01.1  |
| *1056G      | NOV 01/04  | 01.1  | *1058U      | NOV 01/04  | 01.1  |
| *1056H      | BLANK      |       | *1058V      | NOV 01/04  | 01.1  |
| *1056I      | NOV 01/04  | 01.1  | *1058W      | NOV 01/04  | 01.1  |
| *1056J      | NOV 01/04  | 01.1  | *1058X      | NOV 01/04  | 01.1  |
| *1056K      | NOV 01/04  | 01.1  | *1058Y      | NOV 01/04  | 01.1  |
| *1056L      | NOV 01/04  | 01.1  | *1058Z      | NOV 01/04  | 01.1  |
| *1056M      | NOV 01/04  | 01.1  | *1059       | NOV 01/04  | 01.1  |
| *1056N      | NOV 01/04  | 01.1  | *1060       | NOV 01/04  | 01.1  |
| *1056O      | NOV 01/04  | 01.1  | *1060A      | NOV 01/04  | 01.1  |
| *1056P      | NOV 01/04  | 01.1  | *1060B      | NOV 01/04  | 01.1  |
| *1056Q      | NOV 01/04  | 01.1  | *1060C      | BLANK      |       |
| *1056R      | NOV 01/04  | 01.1  | *1060D      | NOV 01/04  | 01.1  |

\* = REVISED, ADDED OR DELETED

**71-11-56**

EFFECTIVE PAGES  
CONTINUED Page 11  
01 Nov 01/04

| PAGE                   | DATE      | CODE  | PAGE                   | DATE      | CODE  |
|------------------------|-----------|-------|------------------------|-----------|-------|
| ILLUSTRATED PARTS LIST |           | CONT. | ILLUSTRATED PARTS LIST |           | CONT. |
| *1060E                 | NOV 01/04 | 01.1  | *1062S                 | NOV 01/04 | 01.1  |
| *1060F                 | NOV 01/04 | 01.1  | *1062T                 | NOV 01/04 | 01.1  |
| *1060G                 | NOV 01/04 | 01.1  | *1062U                 | NOV 01/04 | 01.1  |
| *1060H                 | NOV 01/04 | 01.1  | *1062V                 | NOV 01/04 | 01.1  |
| *1060I                 | NOV 01/04 | 01.1  | *1062W                 | NOV 01/04 | 01.1  |
| *1060J                 | NOV 01/04 | 01.1  | *1062X                 | NOV 01/04 | 01.1  |
| *1060K                 | NOV 01/04 | 01.1  | *1062Y                 | NOV 01/04 | 01.1  |
| *1060L                 | NOV 01/04 | 01.1  | *1062Z                 | NOV 01/04 | 01.1  |
| *1060M                 | NOV 01/04 | 01.1  | *1063                  | NOV 01/04 | 01.1  |
| *1060N                 | NOV 01/04 | 01.1  | *1064                  | NOV 01/04 | 01.1  |
| *1060O                 | NOV 01/04 | 01.1  | *1064A                 | NOV 01/04 | 01.1  |
| *1060P                 | NOV 01/04 | 01.1  | *1064B                 | NOV 01/04 | 01.1  |
| *1060Q                 | NOV 01/04 | 01.1  | *1064C                 | NOV 01/04 | 01.1  |
| *1060R                 | NOV 01/04 | 01.1  | *1064D                 | NOV 01/04 | 01.1  |
| *1060S                 | NOV 01/04 | 01.1  | *1064E                 | NOV 01/04 | 01.1  |
| *1060T                 | NOV 01/04 | 01.1  | *1064F                 | NOV 01/04 | 01.1  |
| *1060U                 | NOV 01/04 | 01.1  | *1064G                 | NOV 01/04 | 01.1  |
| *1060V                 | NOV 01/04 | 01.1  | *1064H                 | NOV 01/04 | 01.1  |
| *1060W                 | NOV 01/04 | 01.1  | *1064I                 | NOV 01/04 | 01.1  |
| *1060X                 | NOV 01/04 | 01.1  | *1064J                 | NOV 01/04 | 01.1  |
| *1060Y                 | NOV 01/04 | 01.1  | *1064K                 | NOV 01/04 | 01.1  |
| *1060Z                 | NOV 01/04 | 01.1  | *1064L                 | NOV 01/04 | 01.1  |
| *1061                  | NOV 01/04 | 01.1  | *1064M                 | NOV 01/04 | 01.1  |
| *1062                  | NOV 01/04 | 01.1  | *1064N                 | NOV 01/04 | 01.1  |
| *1062A                 | NOV 01/04 | 01.1  | *1064O                 | NOV 01/04 | 01.1  |
| *1062B                 | NOV 01/04 | 01.1  | *1064P                 | NOV 01/04 | 01.1  |
| *1062C                 | NOV 01/04 | 01.1  | *1064Q                 | NOV 01/04 | 01.1  |
| *1062D                 | NOV 01/04 | 01.1  | *1064R                 | NOV 01/04 | 01.1  |
| *1062E                 | NOV 01/04 | 01.1  | *1064S                 | NOV 01/04 | 01.1  |
| *1062F                 | NOV 01/04 | 01.1  | *1064T                 | NOV 01/04 | 01.1  |
| *1062G                 | NOV 01/04 | 01.1  | *1064U                 | NOV 01/04 | 01.1  |
| *1062H                 | NOV 01/04 | 01.1  | *1064V                 | NOV 01/04 | 01.1  |
| *1062I                 | NOV 01/04 | 01.1  | *1064W                 | NOV 01/04 | 01.1  |
| *1062J                 | NOV 01/04 | 01.1  | *1064X                 | NOV 01/04 | 01.1  |
| *1062K                 | NOV 01/04 | 01.1  | *1064Y                 | NOV 01/04 | 01.1  |
| *1062L                 | NOV 01/04 | 01.1  | *1064Z                 | NOV 01/04 | 01.1  |
| *1062M                 | NOV 01/04 | 01.1  | *1065                  | NOV 01/04 | 01.1  |
| *1062N                 | NOV 01/04 | 01.1  | *1066                  | NOV 01/04 | 01.1  |
| *1062O                 | NOV 01/04 | 01.1  | *1066A                 | NOV 01/04 | 01.1  |
| *1062P                 | NOV 01/04 | 01.1  | *1066B                 | NOV 01/04 | 01.1  |
| *1062Q                 | NOV 01/04 | 01.1  | *1066C                 | NOV 01/04 | 01.1  |
| *1062R                 | NOV 01/04 | 01.1  | *1066D                 | NOV 01/04 | 01.1  |

\* = REVISED, ADDED OR DELETED

# 71-11-56

EFFECTIVE PAGES  
 CONTINUED Page 12  
 01 Nov 01/04





**BOEING**  
COMPONENT  
MAINTENANCE MANUAL

| PAGE        | DATE       | CODE |       | PAGE        | DATE       | CODE |       |
|-------------|------------|------|-------|-------------|------------|------|-------|
| ILLUSTRATED | PARTS LIST |      | CONT. | ILLUSTRATED | PARTS LIST |      | CONT. |
| *1066E      | NOV 01/04  | 01.1 |       | *1068S      | NOV 01/04  | 01.1 |       |
| *1066F      | NOV 01/04  | 01.1 |       | *1068T      | NOV 01/04  | 01.1 |       |
| *1066G      | NOV 01/04  | 01.1 |       | *1068U      | NOV 01/04  | 01.1 |       |
| *1066H      | NOV 01/04  | 01.1 |       | *1068V      | NOV 01/04  | 01.1 |       |
| *1066I      | NOV 01/04  | 01.1 |       | *1068W      | NOV 01/04  | 01.1 |       |
| *1066J      | NOV 01/04  | 01.1 |       | *1068X      | NOV 01/04  | 01.1 |       |
| *1066K      | NOV 01/04  | 01.1 |       | *1068Y      | NOV 01/04  | 01.1 |       |
| *1066L      | NOV 01/04  | 01.1 |       | *1068Z      | NOV 01/04  | 01.1 |       |
| *1066M      | NOV 01/04  | 01.1 |       | *1069       | NOV 01/04  | 01.1 |       |
| *1066N      | NOV 01/04  | 01.1 |       | *1070       | NOV 01/04  | 01.1 |       |
| *1066O      | NOV 01/04  | 01.1 |       | *1070A      | NOV 01/04  | 01.1 |       |
| *1066P      | NOV 01/04  | 01.1 |       | *1070B      | NOV 01/04  | 01.1 |       |
| *1066Q      | NOV 01/04  | 01.1 |       | *1070C      | NOV 01/04  | 01.1 |       |
| *1066R      | NOV 01/04  | 01.1 |       | *1070D      | NOV 01/04  | 01.1 |       |
| *1066S      | NOV 01/04  | 01.1 |       | *1070E      | NOV 01/04  | 01.1 |       |
| *1066T      | NOV 01/04  | 01.1 |       | *1070F      | NOV 01/04  | 01.1 |       |
| *1066U      | NOV 01/04  | 01.1 |       | *1070G      | NOV 01/04  | 01.1 |       |
| *1066V      | NOV 01/04  | 01.1 |       | *1070H      | NOV 01/04  | 01.1 |       |
| *1066W      | NOV 01/04  | 01.1 |       | *1070I      | NOV 01/04  | 01.1 |       |
| *1066X      | NOV 01/04  | 01.1 |       | *1070J      | NOV 01/04  | 01.1 |       |
| *1066Y      | NOV 01/04  | 01.1 |       | *1070K      | NOV 01/04  | 01.1 |       |
| *1066Z      | NOV 01/04  | 01.1 |       | *1070L      | NOV 01/04  | 01.1 |       |
| *1067       | NOV 01/04  | 01.1 |       | *1070M      | NOV 01/04  | 01.1 |       |
| *1068       | NOV 01/04  | 01.1 |       | *1070N      | NOV 01/04  | 01.1 |       |
| *1068A      | NOV 01/04  | 01.1 |       | *1070O      | NOV 01/04  | 01.1 |       |
| *1068B      | NOV 01/04  | 01.1 |       | *1070P      | NOV 01/04  | 01.1 |       |
| *1068C      | NOV 01/04  | 01.1 |       | *1070Q      | NOV 01/04  | 01.1 |       |
| *1068D      | NOV 01/04  | 01.1 |       | *1070R      | NOV 01/04  | 01.1 |       |
| *1068E      | NOV 01/04  | 01.1 |       | *1070S      | NOV 01/04  | 01.1 |       |
| *1068F      | NOV 01/04  | 01.1 |       | *1070T      | NOV 01/04  | 01.1 |       |
| *1068G      | NOV 01/04  | 01.1 |       | *1070U      | NOV 01/04  | 01.1 |       |
| *1068H      | NOV 01/04  | 01.1 |       | *1070V      | NOV 01/04  | 01.1 |       |
| *1068I      | NOV 01/04  | 01.1 |       | *1070W      | NOV 01/04  | 01.1 |       |
| *1068J      | NOV 01/04  | 01.1 |       | *1070X      | NOV 01/04  | 01.1 |       |
| *1068K      | NOV 01/04  | 01.1 |       | *1070Y      | NOV 01/04  | 01.1 |       |
| *1068L      | NOV 01/04  | 01.1 |       | *1070Z      | NOV 01/04  | 01.1 |       |
| *1068M      | NOV 01/04  | 01.1 |       | *1071       | NOV 01/04  | 01.1 |       |
| *1068N      | NOV 01/04  | 01.1 |       | *1072       | NOV 01/04  | 01.1 |       |
| *1068O      | NOV 01/04  | 01.1 |       | *1072A      | NOV 01/04  | 01.1 |       |
| *1068P      | NOV 01/04  | 01.1 |       | *1072B      | NOV 01/04  | 01.1 |       |
| *1068Q      | NOV 01/04  | 01.1 |       | *1072C      | NOV 01/04  | 01.1 |       |
| *1068R      | NOV 01/04  | 01.1 |       | *1072D      | NOV 01/04  | 01.1 |       |

\* = REVISED, ADDED OR DELETED

**71-11-56**

EFFECTIVE PAGES  
CONTINUED Page 13  
01 Nov 01/04

| PAGE                   | DATE      | CODE  | PAGE                   | DATE      | CODE  |
|------------------------|-----------|-------|------------------------|-----------|-------|
| ILLUSTRATED PARTS LIST |           | CONT. | ILLUSTRATED PARTS LIST |           | CONT. |
| *1072E                 | NOV 01/04 | 01.1  | *1074S                 | NOV 01/04 | 01.1  |
| *1072F                 | NOV 01/04 | 01.1  | *1074T                 | NOV 01/04 | 01.1  |
| *1072G                 | NOV 01/04 | 01.1  | *1074U                 | NOV 01/04 | 01.1  |
| *1072H                 | NOV 01/04 | 01.1  | *1074V                 | NOV 01/04 | 01.1  |
| *1072I                 | NOV 01/04 | 01.1  | *1074W                 | NOV 01/04 | 01.1  |
| *1072J                 | NOV 01/04 | 01.1  | *1074X                 | NOV 01/04 | 01.1  |
| *1072K                 | NOV 01/04 | 01.1  | *1074Y                 | NOV 01/04 | 01.1  |
| *1072L                 | NOV 01/04 | 01.1  | *1074Z                 | NOV 01/04 | 01.1  |
| *1072M                 | NOV 01/04 | 01.1  | *1075                  | NOV 01/04 | 01.1  |
| *1072N                 | NOV 01/04 | 01.1  | *1076                  | NOV 01/04 | 01.1  |
| *1072O                 | NOV 01/04 | 01.1  | *1076A                 | NOV 01/04 | 01.1  |
| *1072P                 | NOV 01/04 | 01.1  | *1076B                 | NOV 01/04 | 01.1  |
| *1072Q                 | NOV 01/04 | 01.1  | *1076C                 | NOV 01/04 | 01.1  |
| *1072R                 | NOV 01/04 | 01.1  | *1076D                 | NOV 01/04 | 01.1  |
| *1072S                 | NOV 01/04 | 01.1  | *1076E                 | NOV 01/04 | 01.1  |
| *1072T                 | NOV 01/04 | 01.1  | *1076F                 | NOV 01/04 | 01.1  |
| *1072U                 | NOV 01/04 | 01.1  | *1076G                 | NOV 01/04 | 01.1  |
| *1072V                 | NOV 01/04 | 01.1  | *1076H                 | NOV 01/04 | 01.1  |
| *1072W                 | NOV 01/04 | 01.1  | *1076I                 | NOV 01/04 | 01.1  |
| *1072X                 | NOV 01/04 | 01.1  | *1076J                 | NOV 01/04 | 01.1  |
| *1072Y                 | NOV 01/04 | 01.1  | *1076K                 | NOV 01/04 | 01.1  |
| *1072Z                 | NOV 01/04 | 01.1  | *1076L                 | NOV 01/04 | 01.1  |
| *1073                  | NOV 01/04 | 01.1  | *1076M                 | NOV 01/04 | 01.1  |
| *1074                  | NOV 01/04 | 01.1  | *1076N                 | NOV 01/04 | 01.1  |
| *1074A                 | NOV 01/04 | 01.1  | *1076O                 | NOV 01/04 | 01.1  |
| *1074B                 | NOV 01/04 | 01.1  | *1076P                 | NOV 01/04 | 01.1  |
| *1074C                 | NOV 01/04 | 01.1  | *1076Q                 | NOV 01/04 | 01.1  |
| *1074D                 | NOV 01/04 | 01.1  | *1076R                 | NOV 01/04 | 01.1  |
| *1074E                 | NOV 01/04 | 01.1  | *1076S                 | NOV 01/04 | 01.1  |
| *1074F                 | NOV 01/04 | 01.1  | *1076T                 | NOV 01/04 | 01.1  |
| *1074G                 | NOV 01/04 | 01.1  | *1076U                 | NOV 01/04 | 01.1  |
| *1074H                 | NOV 01/04 | 01.1  | *1076V                 | NOV 01/04 | 01.1  |
| *1074I                 | NOV 01/04 | 01.1  | *1076W                 | NOV 01/04 | 01.1  |
| *1074J                 | NOV 01/04 | 01.1  | *1076X                 | NOV 01/04 | 01.1  |
| *1074K                 | NOV 01/04 | 01.1  | *1076Y                 | NOV 01/04 | 01.1  |
| *1074L                 | BLANK     |       | *1076Z                 | NOV 01/04 | 01.1  |
| *1074M                 | NOV 01/04 | 01.1  | *1077                  | NOV 01/04 | 01.1  |
| *1074N                 | NOV 01/04 | 01.1  | *1078                  | NOV 01/04 | 01.1  |
| *1074O                 | NOV 01/04 | 01.1  | *1078A                 | NOV 01/04 | 01.1  |
| *1074P                 | NOV 01/04 | 01.1  | *1078B                 | NOV 01/04 | 01.1  |
| *1074Q                 | NOV 01/04 | 01.1  | *1078C                 | NOV 01/04 | 01.1  |
| *1074R                 | NOV 01/04 | 01.1  | *1078D                 | NOV 01/04 | 01.1  |

\* = REVISED, ADDED OR DELETED

# 71-11-56

EFFECTIVE PAGES  
 CONTINUED Page 14  
 01 Nov 01/04



**BOEING**  
COMPONENT  
MAINTENANCE MANUAL

| PAGE                   | DATE      | CODE  | PAGE                   | DATE      | CODE  |
|------------------------|-----------|-------|------------------------|-----------|-------|
| ILLUSTRATED PARTS LIST |           | CONT. | ILLUSTRATED PARTS LIST |           | CONT. |
| *1078E                 | NOV 01/04 | 01.1  | *1080S                 | NOV 01/04 | 01.1  |
| *1078F                 | NOV 01/04 | 01.1  | *1080T                 | NOV 01/04 | 01.1  |
| *1078G                 | NOV 01/04 | 01.1  | *1080U                 | NOV 01/04 | 01.1  |
| *1078H                 | NOV 01/04 | 01.1  | *1080V                 | NOV 01/04 | 01.1  |
| *1078I                 | NOV 01/04 | 01.1  | *1080W                 | NOV 01/04 | 01.1  |
| *1078J                 | NOV 01/04 | 01.1  | *1080X                 | NOV 01/04 | 01.1  |
| *1078K                 | NOV 01/04 | 01.1  | *1080Y                 | NOV 01/04 | 01.1  |
| *1078L                 | NOV 01/04 | 01.1  | *1080Z                 | NOV 01/04 | 01.1  |
| *1078M                 | NOV 01/04 | 01.1  | *1081                  | NOV 01/04 | 01.1  |
| *1078N                 | NOV 01/04 | 01.1  | *1082                  | NOV 01/04 | 01.1  |
| *1078O                 | NOV 01/04 | 01.1  | *1082A                 | NOV 01/04 | 01.1  |
| *1078P                 | NOV 01/04 | 01.1  | *1082B                 | NOV 01/04 | 01.1  |
| *1078Q                 | NOV 01/04 | 01.1  | *1082C                 | NOV 01/04 | 01.1  |
| *1078R                 | NOV 01/04 | 01.1  | *1082D                 | NOV 01/04 | 01.1  |
| *1078S                 | NOV 01/04 | 01.1  | *1082E                 | NOV 01/04 | 01.1  |
| *1078T                 | NOV 01/04 | 01.1  | *1082F                 | NOV 01/04 | 01.1  |
| *1078U                 | NOV 01/04 | 01.1  | *1082G                 | NOV 01/04 | 01.1  |
| *1078V                 | NOV 01/04 | 01.1  | *1082H                 | NOV 01/04 | 01.1  |
| *1078W                 | NOV 01/04 | 01.1  | *1082I                 | NOV 01/04 | 01.1  |
| *1078X                 | NOV 01/04 | 01.1  | *1082J                 | NOV 01/04 | 01.1  |
| *1078Y                 | NOV 01/04 | 01.1  | *1082K                 | NOV 01/04 | 01.1  |
| *1078Z                 | NOV 01/04 | 01.1  | *1082L                 | NOV 01/04 | 01.1  |
| *1079                  | NOV 01/04 | 01.1  | *1082M                 | NOV 01/04 | 01.1  |
| *1080                  | NOV 01/04 | 01.1  | *1082N                 | NOV 01/04 | 01.1  |
| *1080A                 | NOV 01/04 | 01.1  | *1082O                 | NOV 01/04 | 01.1  |
| *1080B                 | NOV 01/04 | 01.1  | *1082P                 | NOV 01/04 | 01.1  |
| *1080C                 | NOV 01/04 | 01.1  | *1082Q                 | NOV 01/04 | 01.1  |
| *1080D                 | NOV 01/04 | 01.1  | *1082R                 | NOV 01/04 | 01.1  |
| *1080E                 | NOV 01/04 | 01.1  | *1082S                 | BLANK     |       |
| *1080F                 | NOV 01/04 | 01.1  | *1082T                 | NOV 01/04 | 01.1  |
| *1080G                 | NOV 01/04 | 01.1  | *1082U                 | NOV 01/04 | 01.1  |
| *1080H                 | NOV 01/04 | 01.1  | *1082V                 | NOV 01/04 | 01.1  |
| *1080I                 | NOV 01/04 | 01.1  | *1082W                 | NOV 01/04 | 01.1  |
| *1080J                 | NOV 01/04 | 01.1  | *1082X                 | NOV 01/04 | 01.1  |
| *1080K                 | NOV 01/04 | 01.1  | *1082Y                 | NOV 01/04 | 01.1  |
| *1080L                 | NOV 01/04 | 01.1  | *1082Z                 | NOV 01/04 | 01.1  |
| *1080M                 | NOV 01/04 | 01.1  | *1083                  | NOV 01/04 | 01.1  |
| *1080N                 | NOV 01/04 | 01.1  | *1084                  | NOV 01/04 | 01.1  |
| *1080O                 | NOV 01/04 | 01.1  | *1084A                 | NOV 01/04 | 01.1  |
| *1080P                 | NOV 01/04 | 01.1  | *1084B                 | NOV 01/04 | 01.1  |
| *1080Q                 | NOV 01/04 | 01.1  | *1084C                 | NOV 01/04 | 01.1  |
| *1080R                 | NOV 01/04 | 01.1  | *1084D                 | NOV 01/04 | 01.1  |

\* = REVISED, ADDED OR DELETED

**71-11-56**

EFFECTIVE PAGES  
CONTINUED Page 15  
01 Nov 01/04

| PAGE                   | DATE      | CODE  | PAGE                   | DATE      | CODE  |
|------------------------|-----------|-------|------------------------|-----------|-------|
| ILLUSTRATED PARTS LIST |           | CONT. | ILLUSTRATED PARTS LIST |           | CONT. |
| *1084E                 | NOV 01/04 | 01.1  | *1086S                 | NOV 01/04 | 01.1  |
| *1084F                 | NOV 01/04 | 01.1  | *1086T                 | NOV 01/04 | 01.1  |
| *1084G                 | NOV 01/04 | 01.1  | *1086U                 | NOV 01/04 | 01.1  |
| *1084H                 | NOV 01/04 | 01.1  | *1086V                 | NOV 01/04 | 01.1  |
| *1084I                 | NOV 01/04 | 01.1  | *1086W                 | NOV 01/04 | 01.1  |
| *1084J                 | NOV 01/04 | 01.1  | *1086X                 | NOV 01/04 | 01.1  |
| *1084K                 | NOV 01/04 | 01.1  | *1086Y                 | NOV 01/04 | 01.1  |
| *1084L                 | NOV 01/04 | 01.1  | *1086Z                 | NOV 01/04 | 01.1  |
| *1084M                 | NOV 01/04 | 01.1  | *1087                  | BLANK     |       |
| *1084N                 | NOV 01/04 | 01.1  | *1088                  | NOV 01/04 | 01.1  |
| *1084O                 | NOV 01/04 | 01.1  | *1088A                 | NOV 01/04 | 01.1  |
| *1084P                 | NOV 01/04 | 01.1  | *1088B                 | NOV 01/04 | 01.1  |
| *1084Q                 | NOV 01/04 | 01.1  | *1088C                 | NOV 01/04 | 01.1  |
| *1084R                 | NOV 01/04 | 01.1  | *1088D                 | BLANK     |       |
| *1084S                 | NOV 01/04 | 01.1  | *1088E                 | NOV 01/04 | 01.1  |
| *1084T                 | NOV 01/04 | 01.1  | *1088F                 | NOV 01/04 | 01.1  |
| *1084U                 | NOV 01/04 | 01.1  | *1088G                 | NOV 01/04 | 01.1  |
| *1084V                 | NOV 01/04 | 01.1  | *1088H                 | NOV 01/04 | 01.1  |
| *1084W                 | NOV 01/04 | 01.1  | *1088I                 | NOV 01/04 | 01.1  |
| *1084X                 | NOV 01/04 | 01.1  | *1088J                 | NOV 01/04 | 01.1  |
| *1084Y                 | NOV 01/04 | 01.1  | *1088K                 | NOV 01/04 | 01.1  |
| *1084Z                 | NOV 01/04 | 01.1  | *1088L                 | NOV 01/04 | 01.1  |
| *1085                  | NOV 01/04 | 01.1  | *1088M                 | NOV 01/04 | 01.1  |
| *1086                  | NOV 01/04 | 01.1  | *1088N                 | NOV 01/04 | 01.1  |
| *1086A                 | NOV 01/04 | 01.1  | *1088O                 | NOV 01/04 | 01.1  |
| *1086B                 | NOV 01/04 | 01.1  | *1088P                 | NOV 01/04 | 01.1  |
| *1086C                 | NOV 01/04 | 01.1  | *1088Q                 | NOV 01/04 | 01.1  |
| *1086D                 | NOV 01/04 | 01.1  | *1088R                 | NOV 01/04 | 01.1  |
| *1086E                 | NOV 01/04 | 01.1  | *1088S                 | NOV 01/04 | 01.1  |
| *1086F                 | NOV 01/04 | 01.1  | *1088T                 | NOV 01/04 | 01.1  |
| *1086G                 | NOV 01/04 | 01.1  | *1088U                 | NOV 01/04 | 01.1  |
| *1086H                 | NOV 01/04 | 01.1  | *1088V                 | NOV 01/04 | 01.1  |
| *1086I                 | NOV 01/04 | 01.1  | *1088W                 | NOV 01/04 | 01.1  |
| *1086J                 | NOV 01/04 | 01.1  | *1088X                 | NOV 01/04 | 01.1  |
| *1086K                 | NOV 01/04 | 01.1  | *1088Y                 | NOV 01/04 | 01.1  |
| *1086L                 | NOV 01/04 | 01.1  | *1088Z                 | NOV 01/04 | 01.1  |
| *1086M                 | NOV 01/04 | 01.1  | *1089                  | NOV 01/04 | 01.1  |
| *1086N                 | NOV 01/04 | 01.1  | *1090                  | NOV 01/04 | 01.1  |
| *1086O                 | NOV 01/04 | 01.1  | *1090A                 | NOV 01/04 | 01.1  |
| *1086P                 | NOV 01/04 | 01.1  | *1090B                 | NOV 01/04 | 01.1  |
| *1086Q                 | NOV 01/04 | 01.1  | *1090C                 | NOV 01/04 | 01.1  |
| *1086R                 | NOV 01/04 | 01.1  | *1090D                 | NOV 01/04 | 01.1  |

\* = REVISED, ADDED OR DELETED

# 71-11-56

EFFECTIVE PAGES  
 CONTINUED Page 16  
 01 Nov 01/04



**BOEING**  
COMPONENT  
MAINTENANCE MANUAL

| PAGE        | DATE       | CODE |       | PAGE        | DATE       | CODE |       |
|-------------|------------|------|-------|-------------|------------|------|-------|
| ILLUSTRATED | PARTS LIST |      | CONT. | ILLUSTRATED | PARTS LIST |      | CONT. |
| *1090E      | NOV 01/04  | 01.1 |       | *1092S      | NOV 01/04  | 01.1 |       |
| *1090F      | NOV 01/04  | 01.1 |       | *1092T      | NOV 01/04  | 01.1 |       |
| *1090G      | NOV 01/04  | 01.1 |       | *1092U      | NOV 01/04  | 01.1 |       |
| *1090H      | NOV 01/04  | 01.1 |       | *1092V      | NOV 01/04  | 01.1 |       |
| *1090I      | NOV 01/04  | 01.1 |       | *1092W      | NOV 01/04  | 01.1 |       |
| *1090J      | NOV 01/04  | 01.1 |       | *1092X      | NOV 01/04  | 01.1 |       |
| *1090K      | NOV 01/04  | 01.1 |       | *1092Y      | NOV 01/04  | 01.1 |       |
| *1090L      | NOV 01/04  | 01.1 |       | *1092Z      | NOV 01/04  | 01.1 |       |
| *1090M      | NOV 01/04  | 01.1 |       | *1093       | NOV 01/04  | 01.1 |       |
| *1090N      | NOV 01/04  | 01.1 |       | *1094       | NOV 01/04  | 01.1 |       |
| *1090O      | NOV 01/04  | 01.1 |       | *1094A      | NOV 01/04  | 01.1 |       |
| *1090P      | NOV 01/04  | 01.1 |       | *1094B      | NOV 01/04  | 01.1 |       |
| *1090Q      | NOV 01/04  | 01.1 |       | *1094C      | NOV 01/04  | 01.1 |       |
| *1090R      | NOV 01/04  | 01.1 |       | *1094D      | NOV 01/04  | 01.1 |       |
| *1090S      | NOV 01/04  | 01.1 |       | *1094E      | NOV 01/04  | 01.1 |       |
| *1090T      | NOV 01/04  | 01.1 |       | *1094F      | NOV 01/04  | 01.1 |       |
| *1090U      | NOV 01/04  | 01.1 |       | *1094G      | NOV 01/04  | 01.1 |       |
| *1090V      | NOV 01/04  | 01.1 |       | *1094H      | NOV 01/04  | 01.1 |       |
| *1090W      | NOV 01/04  | 01.1 |       | *1094I      | NOV 01/04  | 01.1 |       |
| *1090X      | NOV 01/04  | 01.1 |       | *1094J      | NOV 01/04  | 01.1 |       |
| *1090Y      | NOV 01/04  | 01.1 |       | *1094K      | NOV 01/04  | 01.1 |       |
| *1090Z      | NOV 01/04  | 01.1 |       | *1094L      | NOV 01/04  | 01.1 |       |
| *1091       | NOV 01/04  | 01.1 |       | *1094M      | NOV 01/04  | 01.1 |       |
| *1092       | NOV 01/04  | 01.1 |       | *1094N      | NOV 01/04  | 01.1 |       |
| *1092A      | NOV 01/04  | 01.1 |       | *1094O      | NOV 01/04  | 01.1 |       |
| *1092B      | NOV 01/04  | 01.1 |       | *1094P      | NOV 01/04  | 01.1 |       |
| *1092C      | NOV 01/04  | 01.1 |       | *1094Q      | NOV 01/04  | 01.1 |       |
| *1092D      | NOV 01/04  | 01.1 |       | *1094R      | NOV 01/04  | 01.1 |       |
| *1092E      | NOV 01/04  | 01.1 |       | *1094S      | NOV 01/04  | 01.1 |       |
| *1092F      | NOV 01/04  | 01.1 |       | *1094T      | NOV 01/04  | 01.1 |       |
| *1092G      | NOV 01/04  | 01.1 |       | *1094U      | NOV 01/04  | 01.1 |       |
| *1092H      | NOV 01/04  | 01.1 |       | *1094V      | NOV 01/04  | 01.1 |       |
| *1092I      | NOV 01/04  | 01.1 |       | *1094W      | NOV 01/04  | 01.1 |       |
| *1092J      | NOV 01/04  | 01.1 |       | *1094X      | NOV 01/04  | 01.1 |       |
| *1092K      | NOV 01/04  | 01.1 |       | *1094Y      | NOV 01/04  | 01.1 |       |
| *1092L      | NOV 01/04  | 01.1 |       | *1094Z      | NOV 01/04  | 01.1 |       |
| *1092M      | NOV 01/04  | 01.1 |       | *1095       | NOV 01/04  | 01.1 |       |
| *1092N      | NOV 01/04  | 01.1 |       | *1096       | NOV 01/04  | 01.1 |       |
| *1092O      | NOV 01/04  | 01.1 |       | *1096A      | NOV 01/04  | 01.1 |       |
| *1092P      | NOV 01/04  | 01.1 |       | *1096B      | NOV 01/04  | 01.1 |       |
| *1092Q      | NOV 01/04  | 01.1 |       | *1096C      | NOV 01/04  | 01.1 |       |
| *1092R      | NOV 01/04  | 01.1 |       | *1096D      | NOV 01/04  | 01.1 |       |

\* = REVISED, ADDED OR DELETED

**71-11-56**

EFFECTIVE PAGES  
CONTINUED Page 17  
01 Nov 01/04

| PAGE                   | DATE      | CODE  | PAGE                   | DATE      | CODE  |
|------------------------|-----------|-------|------------------------|-----------|-------|
| ILLUSTRATED PARTS LIST |           | CONT. | ILLUSTRATED PARTS LIST |           | CONT. |
| *1096E                 | NOV 01/04 | 01.1  | *1098S                 | NOV 01/04 | 01.1  |
| *1096F                 | NOV 01/04 | 01.1  | *1098T                 | NOV 01/04 | 01.1  |
| *1096G                 | NOV 01/04 | 01.1  | *1098U                 | NOV 01/04 | 01.1  |
| *1096H                 | NOV 01/04 | 01.1  | *1098V                 | NOV 01/04 | 01.1  |
| *1096I                 | NOV 01/04 | 01.1  | *1098W                 | NOV 01/04 | 01.1  |
| *1096J                 | NOV 01/04 | 01.1  | *1098X                 | NOV 01/04 | 01.1  |
| *1096K                 | NOV 01/04 | 01.1  | *1098Y                 | NOV 01/04 | 01.1  |
| *1096L                 | NOV 01/04 | 01.1  | *1098Z                 | NOV 01/04 | 01.1  |
| *1096M                 | NOV 01/04 | 01.1  | *1099                  | NOV 01/04 | 01.1  |
| *1096N                 | NOV 01/04 | 01.1  | *1100                  | NOV 01/04 | 01.1  |
| *1096O                 | NOV 01/04 | 01.1  | *1100A                 | NOV 01/04 | 01.1  |
| *1096P                 | NOV 01/04 | 01.1  | *1100B                 | NOV 01/04 | 01.1  |
| *1096Q                 | NOV 01/04 | 01.1  | *1100C                 | NOV 01/04 | 01.1  |
| *1096R                 | NOV 01/04 | 01.1  | *1100D                 | NOV 01/04 | 01.1  |
| *1096S                 | NOV 01/04 | 01.1  | *1100E                 | NOV 01/04 | 01.1  |
| *1096T                 | NOV 01/04 | 01.1  | *1100F                 | NOV 01/04 | 01.1  |
| *1096U                 | NOV 01/04 | 01.1  | *1100G                 | NOV 01/04 | 01.1  |
| *1096V                 | NOV 01/04 | 01.1  | *1100H                 | NOV 01/04 | 01.1  |
| *1096W                 | NOV 01/04 | 01.1  | *1100I                 | NOV 01/04 | 01.1  |
| *1096X                 | NOV 01/04 | 01.1  | *1100J                 | NOV 01/04 | 01.1  |
| *1096Y                 | NOV 01/04 | 01.1  | *1100K                 | NOV 01/04 | 01.1  |
| *1096Z                 | NOV 01/04 | 01.1  | *1100L                 | NOV 01/04 | 01.1  |
| *1097                  | NOV 01/04 | 01.1  | *1100M                 | NOV 01/04 | 01.1  |
| *1098                  | NOV 01/04 | 01.1  | *1100N                 | NOV 01/04 | 01.1  |
| *1098A                 | NOV 01/04 | 01.1  | *1100O                 | NOV 01/04 | 01.1  |
| *1098B                 | NOV 01/04 | 01.1  | *1100P                 | NOV 01/04 | 01.1  |
| *1098C                 | NOV 01/04 | 01.1  | *1100Q                 | NOV 01/04 | 01.1  |
| *1098D                 | NOV 01/04 | 01.1  | *1100R                 | NOV 01/04 | 01.1  |
| *1098E                 | NOV 01/04 | 01.1  | *1100S                 | NOV 01/04 | 01.1  |
| *1098F                 | NOV 01/04 | 01.1  | *1100T                 | NOV 01/04 | 01.1  |
| *1098G                 | NOV 01/04 | 01.1  | *1100U                 | NOV 01/04 | 01.1  |
| *1098H                 | NOV 01/04 | 01.1  | *1100V                 | NOV 01/04 | 01.1  |
| *1098I                 | NOV 01/04 | 01.1  | *1100W                 | NOV 01/04 | 01.1  |
| *1098J                 | NOV 01/04 | 01.1  | *1100X                 | NOV 01/04 | 01.1  |
| *1098K                 | NOV 01/04 | 01.1  | *1100Y                 | NOV 01/04 | 01.1  |
| *1098L                 | NOV 01/04 | 01.1  | *1100Z                 | NOV 01/04 | 01.1  |
| *1098M                 | NOV 01/04 | 01.1  | *1101                  | NOV 01/04 | 01.1  |
| *1098N                 | NOV 01/04 | 01.1  | *1102                  | NOV 01/04 | 01.1  |
| *1098O                 | NOV 01/04 | 01.1  | *1102A                 | NOV 01/04 | 01.1  |
| *1098P                 | NOV 01/04 | 01.1  | *1102B                 | NOV 01/04 | 01.1  |
| *1098Q                 | NOV 01/04 | 01.1  | *1102C                 | NOV 01/04 | 01.1  |
| *1098R                 | NOV 01/04 | 01.1  | *1102D                 | NOV 01/04 | 01.1  |

\* = REVISED, ADDED OR DELETED

# 71-11-56

EFFECTIVE PAGES  
 CONTINUED Page 18  
 01 Nov 01/04



**BOEING**  
COMPONENT  
MAINTENANCE MANUAL

| PAGE                   | DATE      | CODE  | PAGE                   | DATE      | CODE  |
|------------------------|-----------|-------|------------------------|-----------|-------|
| ILLUSTRATED PARTS LIST |           | CONT. | ILLUSTRATED PARTS LIST |           | CONT. |
| *1102E                 | NOV 01/04 | 01.1  | *1104S                 | NOV 01/04 | 01.1  |
| *1102F                 | NOV 01/04 | 01.1  | *1104T                 | BLANK     |       |
| *1102G                 | BLANK     |       | *1104U                 | NOV 01/04 | 01.1  |
| *1102H                 | NOV 01/04 | 01.1  | *1104V                 | NOV 01/04 | 01.1  |
| *1102I                 | NOV 01/04 | 01.1  | *1104W                 | NOV 01/04 | 01.1  |
| *1102J                 | NOV 01/04 | 01.1  | *1104X                 | NOV 01/04 | 01.1  |
| *1102K                 | NOV 01/04 | 01.1  | *1104Y                 | NOV 01/04 | 01.1  |
| *1102L                 | NOV 01/04 | 01.1  | *1104Z                 | NOV 01/04 | 01.1  |
| *1102M                 | NOV 01/04 | 01.1  | *1105                  | NOV 01/04 | 01.1  |
| *1102N                 | NOV 01/04 | 01.1  | *1106                  | NOV 01/04 | 01.1  |
| *1102O                 | NOV 01/04 | 01.1  | *1106A                 | NOV 01/04 | 01.1  |
| *1102P                 | NOV 01/04 | 01.1  | *1106B                 | NOV 01/04 | 01.1  |
| *1102Q                 | NOV 01/04 | 01.1  | *1106C                 | NOV 01/04 | 01.1  |
| *1102R                 | NOV 01/04 | 01.1  | *1106D                 | NOV 01/04 | 01.1  |
| *1102S                 | NOV 01/04 | 01.1  | *1106E                 | NOV 01/04 | 01.1  |
| *1102T                 | NOV 01/04 | 01.1  | *1106F                 | NOV 01/04 | 01.1  |
| *1102U                 | NOV 01/04 | 01.1  | *1106G                 | NOV 01/04 | 01.1  |
| *1102V                 | NOV 01/04 | 01.1  | *1106H                 | NOV 01/04 | 01.1  |
| *1102W                 | NOV 01/04 | 01.1  | *1106I                 | NOV 01/04 | 01.1  |
| *1102X                 | NOV 01/04 | 01.1  | *1106J                 | NOV 01/04 | 01.1  |
| *1102Y                 | NOV 01/04 | 01.1  | *1106K                 | NOV 01/04 | 01.1  |
| *1102Z                 | NOV 01/04 | 01.1  | *1106L                 | NOV 01/04 | 01.1  |
| *1103                  | NOV 01/04 | 01.1  | *1106M                 | NOV 01/04 | 01.1  |
| *1104                  | NOV 01/04 | 01.1  | *1106N                 | NOV 01/04 | 01.1  |
| *1104A                 | NOV 01/04 | 01.1  | *1106O                 | NOV 01/04 | 01.1  |
| *1104B                 | NOV 01/04 | 01.1  | *1106P                 | NOV 01/04 | 01.1  |
| *1104C                 | NOV 01/04 | 01.1  | *1106Q                 | NOV 01/04 | 01.1  |
| *1104D                 | NOV 01/04 | 01.1  | *1106R                 | NOV 01/04 | 01.1  |
| *1104E                 | NOV 01/04 | 01.1  | *1106S                 | NOV 01/04 | 01.1  |
| *1104F                 | NOV 01/04 | 01.1  | *1106T                 | NOV 01/04 | 01.1  |
| *1104G                 | NOV 01/04 | 01.1  | *1106U                 | NOV 01/04 | 01.1  |
| *1104H                 | BLANK     |       | *1106V                 | NOV 01/04 | 01.1  |
| *1104I                 | NOV 01/04 | 01.1  | *1106W                 | NOV 01/04 | 01.1  |
| *1104J                 | NOV 01/04 | 01.1  | *1106X                 | NOV 01/04 | 01.1  |
| *1104K                 | NOV 01/04 | 01.1  | *1106Y                 | NOV 01/04 | 01.1  |
| *1104L                 | NOV 01/04 | 01.1  | *1106Z                 | NOV 01/04 | 01.1  |
| *1104M                 | NOV 01/04 | 01.1  | *1107                  | NOV 01/04 | 01.1  |
| *1104N                 | NOV 01/04 | 01.1  | *1108                  | NOV 01/04 | 01.1  |
| *1104O                 | NOV 01/04 | 01.1  | *1108A                 | NOV 01/04 | 01.1  |
| *1104P                 | NOV 01/04 | 01.1  | *1108B                 | NOV 01/04 | 01.1  |
| *1104Q                 | NOV 01/04 | 01.1  | *1108C                 | NOV 01/04 | 01.1  |
| *1104R                 | NOV 01/04 | 01.1  | *1108D                 | NOV 01/04 | 01.1  |

\* = REVISED, ADDED OR DELETED

**71-11-56**

EFFECTIVE PAGES  
CONTINUED Page 19  
01 Nov 01/04

| PAGE                   | DATE      | CODE  | PAGE | DATE | CODE |
|------------------------|-----------|-------|------|------|------|
| ILLUSTRATED PARTS LIST |           | CONT. |      |      |      |
| *1108E                 | NOV 01/04 | 01.1  |      |      |      |
| *1108F                 | NOV 01/04 | 01.1  |      |      |      |
| *1108G                 | NOV 01/04 | 01.1  |      |      |      |
| *1108H                 | NOV 01/04 | 01.1  |      |      |      |
| *1108I                 | NOV 01/04 | 01.1  |      |      |      |
| *1108J                 | NOV 01/04 | 01.1  |      |      |      |
| *1108K                 | NOV 01/04 | 01.1  |      |      |      |
| *1108L                 | BLANK     |       |      |      |      |
| *1108M                 | NOV 01/04 | 01.1  |      |      |      |
| *1108N                 | NOV 01/04 | 01.1  |      |      |      |
| *1108O                 | NOV 01/04 | 01.1  |      |      |      |
| *1108P                 | BLANK     |       |      |      |      |

\* = REVISED, ADDED OR DELETED

**71-11-56**

EFFECTIVE PAGES  
 LAST PAGE Page 20  
 01 Nov 01/04



TABLE OF CONTENTS

| <u>Paragraph Title</u>                        | <u>Page</u> |
|---|-------------|
| Description and Operation. . . . .            | 1           |
| Testing and Trouble Shooting (not applicable) |             |
| Disassembly. . . . .                          | 301         |
| Cleaning . . . . .                            | 401         |
| Check. . . . .                                | 501         |
| Repair . . . . .                              | 601         |
| Assembly . . . . .                            | 701         |
| Fits and Clearances . . . . .                 | 801         |
| Illustrated Parts List . . . . .              | 1001        |

## INTRODUCTION

The instructions in this manual provide the information necessary to perform maintenance functions ranging from simple checks and replacement to complete shop-type repair.

This manual is divided into separate sections:

- |  |                              |
|--|------------------------------|
| 1. Title Page                                      | 4. List of Effective Pages   |
| 2. Record of Revisions                             | 5. Table of Contents         |
| 3. Temporary Revision &<br>Service Bulletin Record | 6. Introduction              |
|  | 7. Procedures & IPL Sections |

Refer to the Table of Contents for the page location of applicable sections. An asterisked flagnote \*[ ] in place of the page number indicates that no special instructions are provided since the function can be performed using standard industry practices.

The beginning of the REPAIR section includes a list of the separate repairs, a list of applicable standard Boeing practices, and an explanation of the True Position Dimensioning symbols used.

An explanation of the use of the Illustrated Parts List is provided in the Introduction to that section.

All weights and measurements used in the manual are in English units, unless otherwise stated. When metric equivalents are given they will be in parentheses following the English units.

Design changes, optional parts, configuration differences and Service Bulletin modifications create alternate part numbers. These are identified in the Illustrated Parts List (IPL) by adding an alphabetical character to the basic item number. The resulting item number is called an alpha-variant. Throughout the manual, IPL basic item number references also apply to alpha-variants unless otherwise indicated.

Verification:

**71-11-56**

INTRODUCTION

01.1

Page 1

Oct 01/89

FAN DUCT COWL ASSEMBLY

DESCRIPTION AND OPERATION

1. Description and Operation

A. The Fan Duct Cowl Assembly provides a pathway for bypass air from the fan, as well as a support structure for the thrust reverser. The cowl assembly is comprised of an inner wall assembly and an outer wall held together by upper and lower bifurcation installations. The outer wall is comprised of a ring assembly and a torque box installation held together by nine cascade assemblies. The cascade assemblies reverse the direction of the bypass air when the thrust reverser is activated.

2. Leading Particulars (approximate)

Diameter -- 110 inches

Width -- 66 inches

Weight -- 729 pounds (L.H. side)

758 pounds (R.H. side)

71-11-56

DESCRIPTION & OPERATION

01.1

Page 1

Oct 01/89

DISASSEMBLY

NOTE: Disassemble this component only as necessary to complete fault isolation, determine the serviceability of parts, perform required repairs, and restore the unit to serviceable condition.

1. Disassembly

A. Disassemble fan duct cowl assemblies (1 thru 16, IPL Fig. 1) as follows:

- (1) Remove bolts (481, 490, IPL Fig. 1), (12, 15, IPL Fig. 18) and cascade assemblies (20, 23, 53, 56, 62, 63, 64, 104, 107, 110, 113, 116, 119, 146, 149A, 179, 182, 208, 211, 238, 241, 244, 247, IPL Fig. 1), (36, 39, 69, 72, 79, 78, 81, 84, 111, 114, 117, 120, 123, 126, 153, 156, 186, 189, 219, 222, 225, 228, 264, 267, IPL Fig. 18).
- (2) Remove fasteners and ring assemblies (796, 798, IPL Fig. 1), (906, 909, IPL Fig. 18).
- (3) Remove fasteners and fillet fairings (660A, 662B, IPL Fig. 1, (393, 396, IPL Fig. 18).
- (4) Remove fasteners and fillet fairings (768, 770, IPL Fig. 1), (705, 708, IPL Fig. 18).
- (5) Deleted.
- (6) Remove fasteners and zone ventilation system installations (548, IPL Fig. 1).
- (7) Remove fasteners and duct installations (506, 508A, IPL Fig. 1).
- (8) Remove fasteners and duct assemblies (538, 540, (IPL Fig. 1).
- (9) Remove fasteners and drain tube installation (678, IPL Fig. 1).
- (10) Remove fasteners and inlet precooler duct installation (443, IPL Fig. 1), (1A, IPL Fig. 21).

B. Note thickness of shims (260, 265, 270, IPL Fig. 2) for reference in assembly.

71-11-56

DISASSEMBLY

01.1

Page 301

Nov 01/04

CLEANING

CAUTION: DO NOT VAPOR DEGREASE GRAPHITE/ARAMID EPOXY STRUCTURES WITH CHLORINATED CLEANING AGENTS SUCH AS METHYLENE CHLORIDE, TRICHLOROETHYLENE, AND TRICHLOROETHANE. CHLORINATED CLEANING AGENTS WILL CAUSE DAMAGE TO GRAPHITE/ARAMID EPOXY STRUCTURES.

1,1,1-TRICHLOROETHANE IS ONE OF THE SOLVENTS ALLOWED FOR CLEANING COMPOSITE COMPONENTS. DO NOT SUBMERGE PARTS IN THE SOLVENT OR ALLOW STANDING SOLVENT ON THE PARTS OR DAMAGE MAY OCCUR. USE 1,1,1-TRICHLOROETHANE ONLY AS A WIPE SOLVENT.

1. Clean all parts using standard industry practices and information contained in 20-30-03.

71-11-56

01.1  
CLEANING  
Page 401  
Oct 01/89

CHECK

1. Check all parts for obvious defects per standard industry practices.
2. Magnetic particle check the following per 20-20-01:
  - A. Pins (295, 630, IPL Fig. 7), retainer (628, IPL Fig. 7).
  - B. Cowl Catch (545Z, 896, IPL Fig. 1; 55, IPL Fig. 20).
3. Penetrant check the following per 20-20-02:
  - A. Fittings (640, 645, 650, 655, 660, 665, 670, 675, IPL Fig. 2; 140, 145, IPL Fig. 25).
  - B. Brackets (156, 157, 185B, 190A, IPL Fig. 3; 225, 230, 280, 285, IPL Fig. 21).
  - C. Pins (15, 20, IPL Fig. 5), liners (45, 47, IPL Fig. 5), fittings (200, 205, IPL Fig. 5), pads (400, 405, 470, 475, 550A, 555A, IPL Fig. 5).
  - D. Fittings (526, 592, 668, 670, IPL Fig. 7), bolts (542A, 594, 610, IPL Fig. 7), rod (562, IPL Fig. 7), spring (564, IPL Fig. 7), hinge (678A, 680, IPL Fig. 7), doubler (682, IPL Fig. 7), bracket (700, 702, IPL Fig. 7), channel (710, 712, 714, IPL Fig. 7), door (718, IPL Fig. 7), liners (736A, 738A, IPL Fig. 7).
  - E. Fittings (20, 25, IPL Fig. 14), hinge (45, IPL Fig. 14), doubler (50, IPL Fig. 14), bracket (95, 100, IPL Fig. 14), channel (120, 125, 130, IPL Fig. 14), door (140, IPL Fig. 14).
4. Do a check of the honeycomb structure:
  - A. Do a check of the honeycomb and the bonded parts for delamination, internal water, scratches, and contour damage.
    - (1) If you see delamination or contour damage, do an ultrasonic check or a tap test to find all of the damage.

**NOTE:** For a tap test, use a solid metal disk and refer to the 747 or 767 Non-Destructive Test Manual, Part 1, 51-05-01.
    - (2) Examine areas that you think contain water radiographically or by thermography as shown in the 747 or 767 Non-Destructive Test Manual, Part 9, 51-00-01.

71-11-56

CHECK

01.1

Page 501

Mar 01/04

- B. Refer to the applicable 747 or 767 Structural Repair Manual (SRM) section for allowable damage and repair data.
- 5. Refer to 767 Structural Repair Manual 54-33-01 or to 747 Structural Repair Manual 54-30-01 for fan duct cowl assembly skin allowable damage data.
- 6. Refer to 767 Structural Repair Manual 54-33-02 or to 747 Structural Repair Manual 54-30-02 for allowable damage data and rework of nicks, gouges, scratches or corrosion damage in the cascade strongbacks, vanes, and in the fastener hole flanges. If cascade vanes exceed damage and rework limits of the structural repair manual 54-33-02 refer to Repair 8-1.
- 7. Check the antirotation stop (293, IPL Fig. 7) for damage or looseness.
- 8. Spring Check
  - A. Check that spring (564, IPL Fig. 7) meets the following requirements:
    - (1) Compress spring to 1.48 inches and verify that no permanent set results.
    - (2) Maximum check load at 1.85 inch compressed length is 7.2-8.8 pounds.
    - (3) Minimum check load at 2.8 inch compressed length is 2.61-3.19 pounds.

71-11-56

CHECK  
01.1 Page 502  
Nov 01/00

REPAIR GENERAL

1. Content

A. Repair, refinish, and replacement procedures, as applicable, are included in separate repair sections as follows:

| <u>P/N</u>        | <u>NAME</u>             | <u>REPAIR</u> |
|-------------------|-------------------------|---------------|
| 315T3204          | RING ASSY               | 1-1           |
| 315T4303,315T4305 | FITTING ASSY            | 2-1           |
| 315T3308          | ATTACH ASSY             | 3-1           |
| 315T3202          | TORQUE BOX INSTL        | 4-1           |
| 315T3634          | FITTING ASSY            | 5-1           |
| 315T4403          | FITTING ASSY            | 6-1           |
| 315T3413          | FITTING ASSY            | 7-1           |
| 315T4210          | CASCADE ASSY            | 8-1           |
| 315T4212          |                         |               |
| 315T4214          |                         |               |
| 315T4259          |                         |               |
| 315T4262          |                         |               |
| 315T4013          | FAN DUCT COWL ASSY      | 9-1           |
| --                | MISCELLANEOUS PARTS     | 10-1          |
| 315T3554          | COWL CATCH              | 11-1          |
| 315T3125          | INSULATION BLANKET ASSY | 12-1          |

2. Standard Practices

A. Refer to the following standard practices, as applicable, for details of procedures in individual repairs.

**71-11-56**

REPAIR-GENERAL

01.1

Page 601

Mar 01/97



20-30-02 Stripping of Protective Finishes  
20-30-03 General Cleaning Procedures  
20-41-01 Decoding Table for Boeing Finish Codes  
20-41-02 Application of Chemical and Solvent Resistant Finishes  
20-42-05 Bright Cadmium Plating  
20-42-09 Electrodeposited Nickel Plating  
20-43-01 Chromic Acid Anodize  
20-43-02 Anodizing of Magnesium Alloys (DOW 17)  
20-44-01 Application of Abrasion Resistant Finishes.  
20-50-03 Bearing Installation and Retention  
20-50-08 Application of Dry Lubricant  
20-60-01 Cleaning Materials  
20-60-04 Miscellaneous Materials

### 3. Materials

NOTE: Equivalent substitutes may be used.

- A. Coating, Ablative -- MA25S (Ref 20-60-04)
- B. Conditioner, Static -- Dexter 28-C-1 (Ref 20-60-02)
- C. Enamel -- BMS 10-60, type 2, BAC707 gray gloss (Ref 20-60-02)  
-- BMS 10-60, type 2, gloss (Ref 20-60-02)
- D. Lubricant, Dry Film -- BMS 3-8, class A (Ref 20-60-03)
- E. Paint, Teflon Filled -- BMS 10-86, type 1, white (Ref 20-60-02)
- F. Plating Nickel -- BMS 10-36, type 2 (Ref 20-60-02)
- G. Primer -- BMS 10-11, type 1 (Ref 20-60-02)  
-- BMS 10-79, type 2 (Ref 20-60-02)  
-- DeSoto high temperature polyurethane (Ref 20-60-02)
- H. Sealant -- BMS 5-26 (Ref 20-60-04)  
-- BMS 5-95 (Ref 20-60-04)
- I. Surfacer -- Dexter 8-W-5 (Ref 20-60-02)

**71-11-56**

REPAIR-GENERAL

01.1

Page 602

Mar 01/04

- | J. Top Coat, Sealant -- RTV 60 (Ref 20-60-04)
- | K. Glass Cloth -- BMS 9-3, Type D (Ref 20-60-04)
- | L. Glass Fiber Fabric -- BMS 9-3, Type H (Ref 20-60-04)
- | M. Cleaning Solvent -- Methyl Ethyl-Ketone (MEK) (Ref 20-60-01)

4. Dimensioning Symbols

- A. Standard True Position Dimensioning Symbols used in applicable repair procedures are shown in Fig. 601.

**71-11-56**

REPAIR-GENERAL

01.1

Page 603

Sep 01/95

|                       |                                  |                   |   |
|-----------------------|----------------------------------|-------------------|---|
| —                     | STRAIGHTNESS                     | $\oplus$          | THEORETICAL EXACT POSITION OF A FEATURE (TRUE POSITION)   |
| $\square$             | FLATNESS                         | $\varnothing$     | DIAMETER  |
| $\perp$               | PERPENDICULARITY (OR SQUARENESS) | S $\varnothing$   | SPHERICAL DIAMETER  |
| //                    | PARALLELISM                      | R                 | RADIUS  |
| $\bigcirc$            | ROUNDNESS                        | SR                | SPHERICAL RADIUS  |
| $\bigcirc$ with slash | CYLINDRICITY                     | ( )               | REFERENCE   |
| $\frown$              | PROFILE OF A LINE                | BASIC             | A THEORETICALLY EXACT DIMENSION USED TO DESCRIBE SIZE, SHAPE OR LOCATION OF A FEATURE FROM WHICH PERMISSIBLE VARIATIONS ARE ESTABLISHED BY TOLERANCES ON OTHER DIMENSIONS OR NOTES. |
| $\triangle$           | PROFILE OF A SURFACE             | (BSC)             |   |
| $\odot$               | CONCENTRICITY                    | OR                |   |
| $\equiv$              | SYMMETRY                         | <b>DIM</b>        |   |
| $\sphericalangle$     | ANGULARITY                       | <b>-A-</b>        | DATUM   |
| $\nearrow$            | RUNOUT                           | $\textcircled{M}$ | MAXIMUM MATERIAL CONDITION (MMC)  |
| $\nearrow$ with slash | TOTAL RUNOUT                     | $\textcircled{L}$ | LEAST MATERIAL CONDITION (LMC)  |
| $\sqsubset$           | COUNTERBORE OR SPOTFACE          | $\textcircled{S}$ | REGARDLESS OF FEATURE SIZE (RFS)  |
| $\nabla$              | COUNTERSINK                      | $\textcircled{P}$ | PROJECTED TOLERANCE ZONE  |
|                       |                                  | FIM               | FULL INDICATOR MOVEMENT   |

**EXAMPLES**

$\boxed{-0.002}$

STRAIGHT WITHIN 0.002

$\textcircled{\ominus} \varnothing 0.0005 \text{ C}$

CONCENTRIC TO C WITHIN 0.0005 DIAMETER

$\boxed{\perp 0.002 \text{ B}}$

PERPENDICULAR TO B WITHIN 0.002

$\boxed{\equiv 0.010 \text{ A}}$

SYMMETRICAL WITH A WITHIN 0.010

$\boxed{\parallel 0.002 \text{ A}}$

PARALLEL TO A WITHIN 0.002

$\boxed{\sphericalangle 0.005 \text{ A}}$

ANGULAR TOLERANCE 0.005 WITH A

$\boxed{\bigcirc 0.002}$

ROUND WITHIN 0.002

$\boxed{\oplus \varnothing 0.002 \text{ S B}}$

LOCATED AT TRUE POSITION WITHIN 0.002 DIA RELATIVE TO DATUM B, REGARDLESS OF FEATURE SIZE

$\boxed{\bigcirc \text{ with slash } 0.010}$

CYLINDRICAL SURFACE MUST LIE BETWEEN TWO CONCENTRIC CYLINDERS, ONE OF WHICH HAS A RADIUS 0.010 INCH GREATER THAN THE OTHER

$\boxed{\perp \varnothing 0.010 \text{ M A}}$   
 $\boxed{0.510 \text{ P}}$

AXIS IS TOTALLY WITHIN A CYLINDER OF 0.010-INCH DIAMETER, PERPENDICULAR TO, AND EXTENDING 0.510-INCH ABOVE, DATUM A, MAXIMUM MATERIAL CONDITION

$\boxed{\frown 0.006 \text{ A}}$

EACH LINE ELEMENT OF THE SURFACE AT ANY CROSS SECTION MUST LIE BETWEEN TWO PROFILE BOUNDARIES 0.006 INCH APART RELATIVE TO DATUM PLANE A

$\boxed{2.000}$

THEORETICALLY EXACT DIMENSION IS 2.000

$\boxed{\triangle 0.020 \text{ A}}$

SURFACES MUST LIE WITHIN PARALLEL BOUNDARIES 0.02 INCH APART AND EQUALLY DISPOSED ABOUT TRUE PROFILE

OR  
 $\boxed{2.000}$   
 BSC

**NOTE:** DATUM MAY APPEAR AT EITHER SIDE OF TOLERANCE FRAME

$\boxed{0.020 \text{ A}}$

$\boxed{\text{A } 0.020}$

True Position Dimensioning Symbols  
 Figure 601

**71-11-56**

REPAIR-GENERAL

01.1

Page 604

Jun 01/95

RING ASSEMBLY – REPAIR 1-1

315T3204-11, -12, -15, -16, -19 THRU 34

NOTE: Refer to REPAIR-GEN for list of applicable standard practices.

1. Bushing (15) Replacement (IPL Fig. 13)

- A. Remove rivets (10) and bushing (15).
- B. Install bushing SOPM 20-50-03 with FWD marking toward FWD end.
- C. Fillet seal bushing flange with BMS 5-26 or BMS 5-95 sealant per SOPM 20-50-19.
- D. Install rivets with wet BMS 10-11, Type 1 primer (F-20.20).

2. Bushing (17) Replacement (IPL Fig. 13)

- A. Remove rivets (12) and bushing (17).
- B. Install bushing per SOPM 20-50-03 with FWD marking toward FWD end.
- C. Fillet seal bushing flange with BMS 5-26 or BMS 5-95 sealant per SOPM 20-50-19.
- D. Install rivets (12) with wet BMS 10-11, Type 1 primer (F-20.20).

**71-11-56**

REPAIR 1-1

01.1

Page 601

Mar 01/04

UPPER BIFURCATION HINGE FITTING ASSEMBLY – REPAIR 2-1

315T4303-1, -2, -5, -6, -13, -14, -17, -18, -23, -24,  
-25, -29, -30, -33, -34  
315T4305-1, -2, -5, -6, -11, -12, -15, -16

NOTE: Refer to REPAIR-GEN for a list of applicable standard practices.

1. Bushing (185, 190, 195) Replacement (IPL Fig. 5)

- A. Remove bushings (185, 190, 195).
- B. Penetrant inspect fitting (200, 205) bushing bore as shown in SOPM 20-20-02.
- C. Apply one coat of BMS 10-11, Type 1 primer to the fitting (200, 205) bushing bores per SOPM 20-41-02.
- D. Apply Loctite 640 to bushings (185, 190, 195) per the manufacturers instructions.
- E. Install bushings (185, 190, 195) into the fitting (200, 205) using the shrink-fit method per SOPM 20-50-03.
- F. Machine bushings as shown in REPAIR 2-1. Fig. 601.
- G. Fillet seal entire periphery of bushing flanges using BMS 5-95 or BMS 5-26 sealant.

2. Refinish

- A. Fittings (200, 205) -- Chromic acid anodize, type 1 or sulfuric acid anodize, type 2 (F-17.05), and apply one coat BMS 10-79, type 3 primer (F-19.47), all over except omit primer from bushing holes. Material: Aluminum alloy.

3. Upper Bifurcation Hinge Fitting Assembly (175, 180) Replacement (IPL Fig. 5)

- A. Disassembly of 747 Upper Bifurcation Fairing Installation LEFT HAND (326, IPL Fig. 1), (300, IPL Fig. 18).

- (1) Install the left-hand fan duct cowl assembly (1D, IPL Fig. 1) in a holding fixture.

NOTE: It is recommended that the forward end of the fan duct cowl be placed down, see Fig. 603. If the fan duct cowl is placed in a "cup up" position, the inner fan duct cowl ring will have to be supported.

Fig. 602 is an example of the fan duct cowl assembly in the "cup down" position.

**71-11-56**

REPAIR 2-1

01.1

Page 601

Nov 01/04

- (2) Remove cascade assembly (20, IPL Fig. 1), (18, 24, 36, IPL Fig. 18) by removing fasteners (481, 490, IPL Fig. 1), (12, 15, IPL Fig. 18) and washers (484, 493, IPL Fig. 1), (21, 24, IPL Fig. 18).

**NOTE:** If additional cascade assemblies need to be removed, leave at least three cascade assemblies installed. See Fig. 602 for recommended cascade assembly removal.

**CAUTION:** DO NOT REMOVE ANY FASTENERS UNTIL THE UPPER BIFURCATION ALIGNMENT TOOL HAS BEEN INSTALLED AND SET.

WHEN DRILLING OUT RIVETS TO BE REMOVED, TAKE CARE NOT TO ENLARGE THE FASTENER HOLES. THE INSTALLATION PROCESS RELIES ON THE FASTENER PATTERN BEING ACCURATE.

- (3) Install the upper bifurcation alignment tool A78023-35 on the upper bifurcation assembly.
- (4) Remove panel assembly (150B, IPL Fig. 9) by removing fasteners (10, 20, IPL Fig. 9).
- (5) Remove rubstrip assembly (680, IPL Fig. 2) by removing fasteners (690, 710, IPL Fig. 2).
- (6) Remove angle assembly (265, IPL Fig. 9), tie angle (285, IPL Fig. 9), angle assembly (370, IPL Fig. 9), and support (340, IPL Fig. 9) in one piece by removing fasteners (275, 280, IPL Fig. 9).

**NOTE:** Tapered filler (450, IPL Fig. 9) will be loose at this point and can be removed.

- (7) Remove support (350, 360, IPL Fig. 9), support assembly (380, 395, IPL Fig. 9) and filler assembly (80, 115, 425, IPL Fig. 9) by removing fasteners (330, 390, 405, IPL Fig. 9).
- (8) Remove support angle (465, 480, 525, IPL Fig. 9), clip (500, IPL Fig. 9), angle assembly (470, 490, IPL Fig. 9), fairing molding (410, IPL Fig. 9), and shim (535, IPL Fig. 9) by removing hi-lok (515, IPL Fig. 9), bolts (10, 21, 25, IPL Fig. 9), and collar (520, IPL Fig. 9).

**NOTE:** Refer to REPAIR - GENERAL for list of applicable standard practices.

This section provides disassembly and assembly procedures for replacing the upper hinge fitting assembly from the fan duct cowl assembly.

**71-11-56**

REPAIR 2-1

01.1 Page 602

Nov 01/04

B. Disassembly of 767 Upper Bifurcation Fairing Installation LEFT HAND (328, IPL Fig. 1), (306, IPL Fig. 18).

- (1) Install the left-hand fan duct cowl assembly (1D, IPL Fig. 1) in a holding fixture.

**NOTE:** It is recommended that the forward end of the fan duct cowl be placed down, see Fig. 603. If the fan duct cowl is placed in a "cup up" position, the inner fan duct cowl ring will have to be supported.

Figure 602 is an example of the fan duct cowl assembly in the "cup down" position.

- (2) Remove cascade assembly (20, IPL Fig. 1), (18, 24, 36, IPL Fig. 18) by removing fasteners (481, 490, IPL Fig. 1), (12, 15, IPL Fig. 18) and washers (484, 493, IPL Fig. 1), (21, 24, IPL Fig. 18).

**NOTE:** If additional cascade assemblies need to be removed, leave at least three cascade assemblies installed. See Fig. 602 for recommended cascade assembly removal.

**CAUTION:** DO NOT REMOVE ANY FASTENERS UNTIL THE UPPER BIFURCATION ALIGNMENT TOOL HAS BEEN INSTALLED AND SET.

WHEN DRILLING OUT RIVETS TO BE REMOVED, TAKE CARE NOT TO ENLARGE THE FASTENER HOLES. THE INSTALLATION PROCESS RELIES ON THE FASTENER PATTERN BEING ACCURATE.

- (3) Install alignment tool A78023-35 to the upper bifurcation assembly.
- (4) Remove skin assembly (335, 415, IPL Fig. 17), support assembly (35, 80, 115, 150, 195, 230, IPL Fig. 17), by removing bolt (10, 20, 65, IPL Fig. 17) and collar (25, 67, IPL Fig. 17).
- (5) Remove fairing assembly (292, IPL Fig. 1), (50, IPL Fig. 19, (120, IPL Fig. 22) in one piece by removing fastener (37, IPL Fig. 5).
- (6) Remove angle (285, IPL Fig. 17), skin (325, IPL Fig. 17), and ZEE (290, IPL Fig. 17) by removing fasteners (310, 10, 280, IPL Fig. 17) and collar (315, IPL Fig. 17).
- (7) Remove rubstrip assembly (680, IPL Fig. 2) by removing screw (690, 710, IPL Fig. 2) and rivet (715, IPL Fig. 2).

**NOTE:** Refer to REPAIR - GENERAL for list of applicable standard practices.

This section provides disassembly and assembly procedures for replacing the upper hinge fitting assembly from the fan duct cowl assembly.

C. Disassembly of 747 Upper Bifurcation Fairing Installation RIGHT HAND  
(327, IPL Fig. 1), (303, IPL Fig. 18)

- (1) Install the right-hand fan duct cowl assembly (5D, IPL Fig. 1) in a holding fixture.

**NOTE:** It is recommended that the forward end of the fan duct cowl be placed down, see Fig. 603. If the fan duct cowl is placed in a "cup up" position, the inner fan duct cowl ring will have to be supported.

Figure 602 is an example of the fan duct cowl assembly in the "cup down" position.

- (2) Remove cascade assembly (23, IPL Fig. 1), (18, 24, 39, IPL Fig. 18) by removing fasteners (481, 490, IPL Fig. 1), (12, 15, IPL Fig. 18) and washers (484, 493, IPL Fig. 1), (21, 24, IPL Fig. 18).

**NOTE:** If additional cascade assemblies need to be removed, leave at least three cascade assemblies installed. See Fig. 602 for recommended cascade assembly removal.

**CAUTION:** DO NOT REMOVE ANY FASTENERS UNTIL THE UPPER BIFURCATION ALIGNMENT TOOL HAS BEEN INSTALLED AND SET.

WHEN DRILLING OUT RIVETS TO BE REMOVED, TAKE CARE NOT TO ENLARGE THE FASTENER HOLES. THE INSTALLATION PROCESS RELIES ON THE FASTENER PATTERN BEING ACCURATE.

- (3) Install the upper bifurcation alignment tool A78023-35 on the upper bifurcation assembly.
- (4) Remove panel assembly (155B, IPL Fig. 9) by removing fasteners (10, 11, 20, 21, IPL Fig. 9).
- (5) Remove rubstrip assembly (685, IPL Fig. 2) by removing fasteners (690, 710, IPL Fig. 2).
- (6) Remove angle assembly (270, IPL Fig. 9), tie angle (290, IPL Fig. 9), angle assembly (375, IPL Fig. 9), and support (345, IPL Fig. 9) in one piece by removing fasteners (275, 280, IPL Fig. 9).

**NOTE:** Tapered filler (450, IPL Fig. 9) will be loose at this point and can be removed.

- (7) Remove support (355, 365, IPL Fig. 9), support assembly (385, 400, IPL Fig. 9) and filler assembly (85, 120, 430, IPL Fig. 9) by removing fasteners (330, 390, 405, IPL Fig. 9).

**71-11-56**

REPAIR 2-1

01.1

Page 604

Nov 01/04



- (8) Remove support angle (465, 485, 530, IPL Fig. 9), clip (505, IPL Fig. 9), angle assembly (475, 495, IPL Fig. 9), fairing molding (415, IPL Fig. 9), and shim (540, IPL Fig. 9) by removing rivets (460, 455, IPL Fig. 9), hi-lok (515, IPL Fig. 9), bolts (10, 20, 25, IPL Fig. 9), and collar (520, IPL Fig. 9).

**NOTE:** Refer to REPAIR - GENERAL for list of applicable standard practices.

This section provides disassembly and assembly procedures for replacing the upper hinge fitting assembly from the fan duct cowl assembly.

D. Disassembly of 767 Upper Bifurcation Fairing Installation RIGHT HAND (331, IPL Fig. 1, (309, IPL Fig. 18).

- (1) Install the right-hand fan duct cowl assembly (5D, IPL Fig. 1) in a holding fixture.

**NOTE:** It is recommended that the forward end of the fan duct cowl be placed down, see Fig. 603. If the fan duct cowl is placed in a "cup up" position, the inner fan duct cowl ring will have to be supported.

Figure 602 is an example of the fan duct cowl assembly in the "cup down" position.

- (2) Remove cascade assembly (23, IPL Fig. 1), (18, 24, 39, IPL Fig. 18) by removing fasteners (481, 490, IPL Fig. 1), (12, 15, IPL Fig. 18) and washers (484, 493, IPL Fig. 1), (21, 24, IPL Fig. 18)

**NOTE:** If additional cascade assemblies need to be removed, leave at least three cascade assemblies installed. See Fig. 602 for recommended cascade assembly removal.

**CAUTION:** DO NOT REMOVE ANY FASTENERS UNTIL THE UPPER BIFURCATION ALIGNMENT TOOL HAS BEEN INSTALLED AND SET.

WHEN DRILLING OUT RIVETS TO BE REMOVED, TAKE CARE NOT TO ENLARGE THE FASTENER HOLES. THE INSTALLATION PROCESS RELIES ON THE FASTENER PATTERN BEING ACCURATE.

- (3) Install alignment tool A78023-2 to the upper bifurcation assembly.

**71-11-56**

REPAIR 2-1

01.1

Page 605

Nov 01/04

- (4) Remove skin (340, 420, IPL Fig. 17), support assembly (40, 85, 120, 155, 200, 235, IPL Fig. 17), by removing bolt (10, IPL Fig. 17) and rivet (15, IPL Fig. 17) or bolt (20, IPL Fig. 17) and nut (25, IPL Fig. 17).
- (5) Remove fairing assembly (295, IPL Fig. 1), (55, IPL Fig. 19), (125, IPL Fig. 22) in one piece by removing fasteners (37, IPL Fig. 5).
- (6) Remove angle (285, IPL Fig. 17), skin (330, IPL Fig. 17), and zee (295, IPL Fig. 17) by removing fasteners (10, 280, 310, IPL Fig. 17) and collar (315, IPL Fig. 17).
- (7) Remove rubstrip assembly (685, IPL Fig. 2) by removing screw (690, 710, IPL Fig. 2) and rivet (715, IPL Fig. 2).

E. Disassembly of 747/767 Upper Bifurcations Assembly LEFT HAND  
(1, IPL Fig. 5)

- (1) Remove and discard aux track liner (45, IPL Fig. 5).  
  
**NOTE:** The aux track liner should be loose after all fairing parts have been removed.
- (2) Remove angle (829, IPL Fig. 2) by removing fastener (820, IPL Fig. 2) and collar (825, IPL Fig. 2).
- (3) Remove all tubing and wiring from the upper bifurcation assembly (1, IPL Fig. 5) and stow to prevent damage salvage all fasteners for re-installation.
- (4) Drill out and remove blind rivets (968, IPL Fig. 2) within an area approximately 12 inches from fitting (175, IPL Fig. 5) which attach bullnose fairing (418, IPL Fig. 2). Remove rivet (845, IPL Fig. 2) and bolt (850, IPL Fig. 2).
- (5) Cut out a 12-inch section of bullnose fairing (418, IPL Fig. 2) measured from fitting (175, IPL Fig. 5).  
  
**NOTE:** Retain 12-inch section of bullnose fairing for re-installation.
- (6) Remove fasteners (370, 800, 810, 815, 820, 830, 860, 865, 880, 890, 900, 920, 976, IPL Fig. 2), collars (825, 885, 895, IPL Fig. 2), washers (375, 835, 905, 925, IPL Fig. 2), and nuts (380, 840, IPL Fig. 2) from hinge fitting assembly (175, IPL Fig. 5) and cowl reverser box installation (1, IPL Fig. 2).

71-11-56

REPAIR 2-1

01.1

Page 606

Nov 01/04

- (7) Disassemble aft cascade support ring (924, IPL Fig. 1), (906, IPL Fig. 18) from hinge fitting assembly (175, IPL Fig. 5) by removing fasteners (449, 451, 453, 455, 457, IPL Fig. 1), (603, 606, 609, 612, 615, IPL Fig. 18), washers (459, 461, 463, 465, 467, 469, IPL Fig. 1), (618, 621, 624, IPL Fig. 18), and nuts (471, 472, 473, IPL Fig. 1), (627, 630, 633, IPL Fig. 18).
- (8) Disassemble hinge fitting assembly (175, IPL Fig. 5) from acoustic wall panel assembly (220A, IPL Fig. 5) by removing fasteners (50, 55, 60, 65, 70, 75, 80, 85, 90, 95, 123A, 124, 145, IPL Fig. 5), pin (151B, IPL Fig. 5), sleeve (152B, IPL Fig. 5), and collars (125, 130, 135, 140B, 150, 153A, IPL Fig. 5).
- (9) Remove inner wall fillet fairing (660A, IPL Fig. 1), (393, IPL Fig. 18) by removing fasteners (620, 622, 624, 626, 628, 630, 632, 634, 636, 638, 640, 644, 645, 647, 658, IPL Fig. 1), (315, 318, 321, 324, 327, 330, 333, 336, 339, 342, 345, 354, 363, 366, 372, IPL Fig. 18), and collars (648, 649, 650, IPL Fig. 1), (348, 351, 364, 375, IPL Fig. 18).
- (10) Disassemble upper seal installation (436, IPL Fig. 1), (519, IPL Fig. 18) by removing fasteners (572, 576, 582, 586, 590, 592, 594, 596, 598, 604, 610, 612, 613, 616, 664, 666, 667, IPL Fig. 1), (399, 402, 408, 417A, 426, 429, 438, 441, 450, 453, 456, 459, 460, 462, 465, 468, 471, 477, 480, 483, 489, IPL Fig. 18), collars (588, 606, 608, 614, 618, 668, 669, IPL Fig. 1), (414, 423A, 432, 435, 447, 474, 486, 492, IPL Fig. 18, washer (578, IPL Fig. 1), and nut (580, IPL Fig. 1).
- (11) Remove actuator attach assembly (365, IPL Fig. 5), fasteners (275, 290, 295, 305, 310, 320, 325, IPL Fig. 5), and collars (285, 300, 315, 330, IPL Fig. 5)
- (12) Remove compression pad assemblies (450, 535A, IPL Fig. 5), fasteners (425, 430, 515, 517, 518, 523, IPL Fig. 5), and collars (435, 525, IPL Fig. 5).
- (13) The acoustic wall panel assembly (220A, IPL Fig. 5) can now be removed.
- (14) Hinge fitting assembly (175, IPL Fig. 5) can be removed as well.
- (15) Remove track liner (210, IPL Fig. 5), bolts (5, 25, IPL Fig. 5), pin-retainers (15, 20, IPL Fig. 5), washer (10, IPL Fig. 5), and nut (30, IPL Fig. 5).

71-11-56

REPAIR 2-1

01.1

Page 607

Nov 01/04

F. Disassembly of 747/767 Upper Bifurcations Assembly RIGHT HAND  
(5, IPL Fig. 5)

- (1) Remove and discard aux track liner (47, IPL Fig. 5).

**NOTE:** The aux track liner should be loose after all fairing parts have been removed.

- (2) Remove angle (829, IPL Fig. 2) by removing fastener (820, IPL Fig. 2) and collar (825, IPL Fig. 2).
- (3) Remove all tubing and wiring from the upper bifurcation assembly (1, IPL Fig. 5) and stow to prevent damage salvage all fasteners for re-installation.
- (4) Drill out and remove blind rivets (968, IPL Fig. 2) within an area approximately 12 inches from fitting (180, IPL Fig. 5) which attach bullnose fairing (418, IPL Fig. 2). Remove rivet (845, IPL Fig. 2) and bolt (850, IPL Fig. 2).
- (5) Cut out a 12-inch section of bullnose fairing (418, IPL Fig. 2) measured from fitting (180, IPL Fig. 5).

**NOTE:** Retain 12-inch section of bullnose fairing for re-installation.

- (6) Remove fasteners (370, 800, 810, 815, 820, 830, 860, 865, 880, 890, 900, 920, 976, IPL Fig. 2), collars (825, 885, 895, IPL Fig. 2), washers (375, 835, 905, 925, IPL Fig. 2), and nuts (380, 840, IPL Fig. 2) from hinge fitting assembly (180, IPL Fig. 5) and cowl reverser box installation (5, IPL Fig. 2).
- (7) Disassemble aft cascade support ring (927, IPL Fig. 1), (909, IPL Fig. 18) from hinge fitting assembly (180, IPL Fig. 5) by removing fasteners (449, 451, 453, 455, 457, IPL Fig. 1), (603, 606, 609, 612, 615, IPL Fig. 18), washers (459, 461, 463, 465, 467, 469, IPL Fig. 1), (618, 621, 624, IPL Fig. 18), and nuts (471, 472, 473, IPL Fig. 1), (627, 630, 633, IPL Fig. 18).
- (8) Disassemble hinge fitting assembly (180, IPL Fig. 5) from acoustic wall panel assembly (225B, IPL Fig. 5) by removing fasteners (50, 55, 60, 65, 70, 75, 80, 85, 90, 95, 123A, 124, 145, IPL Fig. 5), pin (151B, IPL Fig. 5), sleeve (152B, IPL Fig. 5), and collars (125, 130, 135, 140B, 150, 153A, IPL Fig. 5).
- (9) Remove inner wall fillet fairing (662B, IPL Fig. 1), (393, IPL Fig. 18) by removing fasteners (620, 622, 624, 626, 628, 630, 632, 634, 636, 638, 640, 644, 645, 647, 658, IPL Fig. 1) (315, 318, 321, 324, 327, 330, 333, 336, 339, 342, 345, 354, 363, 366, 372, IPL Fig. 18) and collars (648, 649, 650, IPL Fig. 1), (348, 351, 369, 375, IPL Fig. 18).

71-11-56

REPAIR 2-1

01.1

Page 608

Nov 01/04

- (10) Disassemble upper seal installation (439, IPL Fig. 1), (522, IPL Fig. 18) by removing fasteners (572, 576, 582, 586, 590, 592, 594, 596, 598, 604, 610, 612, 613, 616, 664, 666, 667, IPL Fig. 1), (399, 402, 408, 417A, 426, 429, 438, 441, 450, 453, 456, 459, 460, 462, 465, 468, 471, 477, 480, 483, 489, IPL Fig. 18), collars (588, 606, 608, 614, 618, 668, 669, IPL Fig. 1), (414, 423A, 432, 435, 447, 474, 486, 492, IPL Fig. 18), washer (578, IPL Fig. 1), and nut (580, IPL Fig. 1).
- (11) Remove actuator attach assembly (370, IPL Fig. 5), fasteners (275, 290, 295, 305, 310, 320, 325, IPL Fig. 5), and collars (285, 300, 315, 330, IPL Fig. 5)
- (12) Remove compression pad assemblies (455, 540A, IPL Fig. 5), fasteners (425, 430, 515, 517, 518, 523, IPL Fig. 5), and collars (435, 525, IPL Fig. 5).
- (13) The acoustic wall panel assembly (225B, IPL Fig. 5) can now be removed.
- (14) Hinge fitting assembly (180, IPL Fig. 5) can be removed as well.
- (15) Remove track liner (215, IPL Fig. 5), bolts (5, 25, IPL Fig. 5), pin-retainers (15, 20, IPL Fig. 5), washer (10, IPL Fig. 5), and nut (30, IPL Fig. 5).

G. Assembly of 747/767 Upper Bifurcation Assembly LEFT HAND (1D, IPL Fig. 5)

- (1) Create a drill template which pins into the forwardmost hinge point on hinge fitting assembly (175, IPL Fig. 5) and locates at least two fastener holes common to the cowl reverser box installation (1, IPL Fig. 2). See Fig. 601.

**NOTE:** This tool should be first located to the old hinge fitting assembly (175, IPL Fig. 5) in order to backdrill hole locations.

These hole locations are used to locate the inboard/outboard position of hinge fitting assembly (175, IPL Fig. 5).

- (2) Locate tool to hinge fitting assembly (175, IPL Fig. 5), backdrill and deburr fastener holes.
- (3) Temporarily locate hinge fitting assembly (175, IPL Fig. 5) to fan duct cowl assembly (1D, IPL Fig. 1) and clamp in place.
- (4) Temporarily locate acoustic wall panel assembly (220A, IPL Fig. 5) to fan duct cowl assembly (1D, IPL Fig. 1) and hinge fitting assembly (175, IPL Fig. 5) and clamp in place.

**71-11-56**

REPAIR 2-1

01.1

Page 609

Nov 01/04

- (5) Temporarily locate compression pad assembly (450, 535, IPL Fig. 5) to the acoustic wall panel assembly (220A, IPL Fig. 5) and clamp in place.
- (6) Put the upper bifurcation alignment tool A78023-35 in position on the hinge fitting assembly (175, IPL Fig. 5) and on the compression pad assembly (450, 535A, IPL Fig. 5).
- (7) Drill fastener holes through hinge fitting assembly (175, IPL Fig. 5) acoustic wall panel assembly (220A, IPL Fig. 5) and compression pad assembly (450, 535A, IPL Fig. 5).
- (8) Disassemble hinge fitting assembly (175, IPL Fig. 5), acoustic wall panel assembly (220A, IPL Fig. 5), and compression pad assembly (450, 535A, IPL Fig. 5) and deburr.
- (9) Manufacture nutplate strip assembly using nutplate MS21076-4 and NAS1068L3, bolt NAS1303-4, and bolt NAS1304-61/2-8. Secure nutplate strip assembly to hinge fitting assembly (175, IPL Fig. 5) as shown in Fig. 605.
- (10) Install track liner (210, IPL Fig. 5), bolts (5, 25, IPL Fig. 5), washer (10, IPL Fig. 5), and pin/retainer (15, 20, IPL Fig. 5).
- (11) Locate hinge fitting assembly (175, IPL Fig. 5) to fan duct cowl assembly (1D, IPL Fig. 1) and clamp in place.
- (12) Locate acoustic wall panel assembly (220A, IPL Fig. 5) to fan duct cowl assembly (1D, IPL Fig. 1), hinge fitting assembly (175, IPL Fig. 5), strap (155, IPL Fig. 5) and compression pads (450, 535A, IPL Fig. 5) and clamp in place.
- (13) Put the upper bifurcation alignment tool A78023-35 in position on the hinge fitting assembly (175, IPL Fig. 5) and on the compression pad assembly (450, 535A, IPL Fig. 5).
- (14) Install fasteners (50, 55, 60, 65, 70, 75, 80, 85, 90, 95, 123A, 124, 145, IPL Fig. 5), pin (151A, IPL Fig. 5), sleeve (152B, IPL Fig. 5), and collars (125, 130, 135, 140B, 150, 153B, IPL Fig. 5) through acoustic wall panel assembly (220A, IPL Fig. 5), strap (155, IPL Fig. 5), and hinge fitting assembly (175, IPL Fig. 5).
- (15) Locate aft cascade support ring (924, IPL Fig. 1), (906, IPL Fig. 18) to hinge fitting assembly (175, IPL Fig. 5) and install permanent fasteners (449, 451, 453, 455, 457, IPL Fig. 1), (603, 606, 609, 612, 615, IPL Fig. 18), washers (459, 461, 463, 465, 467, 469, IPL Fig. 1), (618, 621, 624, IPL Fig. 18), and nuts (471, 472, 473, IPL Fig. 1), (627, 630, 633, IPL Fig. 18).
- (16) Remove the upper bifurcation alignment tool A78023-35 and put it into storage.

71-11-56

REPAIR 2-1

01.1 Page 610

Nov 01/04

- (17) Locate upper seal installation (436, IPL Fig. 1), (519, IPL Fig. 18) to acoustic wall panel assembly (220A, IPL Fig. 5) and install permanent fasteners (572, 576, 582, 586, 590, 592, 594, 596, 598, 604, 610, 612, 613, 616, 664, 666, 667, IPL Fig. 1), (399, 402, 408, 417A, 426, 429, 438, 441, 450, 453, 456, 459, 460, 462, 465, 468, 471, 477, 480, 483, 489, IPL Fig. 18), collars (588, 606, 608, 614, 618, 668, 669, IPL Fig. 1), (414, 423A, 432, 435, 447, 474, 486, 492, IPL Fig. 18), washer (578, IPL Fig. 1), and nut (580, IPL Fig. 1).
- (18) Locate actuator attach assembly (365, IPL Fig. 5) to acoustic wall panel assembly (220A, IPL Fig. 5) and install permanent fasteners (275, 290, 295, 305, 310, 320, IPL Fig. 5), and collars (285, 300, 315, 330, IPL Fig. 5).
- (19) Locate compression pad assembly (450, 535A, IPL Fig. 5) and install permanent fasteners (425, 430, 515, 517, 518, 523, IPL Fig. 5), and collars (435, 525, IPL Fig. 5).
- (20) Locate inner wall fillet fairing (660A, IPL Fig. 1), (393, IPL Fig. 18) and install permanent fasteners (620, 622, 624, 626, 628, 630, 632, 634, 636, 638, 640, 644, 645, 647, 658, IPL Fig. 1), (315, 318, 321, 324, 327, 330, 333, 336, 339, 342, 345, 354, 363, 366, 372, IPL Fig. 18) and collars (648, 649, 650, IPL Fig. 1), (348, 351, 369, 375, IPL Fig. 18).
- (21) Re-install all tubing and wiring to the upper bifurcation assembly (1D, IPL Fig. 5) in original position using salvaged fasteners.
- (22) Install fasteners (370, 800, 810, 815, 820, 830, 860, 865, 880, 890, 895, 900, 920, 976, 984, IPL Fig. 2), collars (825, 885, 895, 986, IPL Fig. 2), washers (375, 835, 905, 925, IPL Fig. 2), and nuts (380, 840, IPL Fig. 2) through hinge fitting assembly (175, IPL Fig. 5) and cowl reverser box installation (1, IPL Fig. 2; Fig. 6).
- (23) Locate and install angle (829, IPL Fig. 2) and install permanent fastener (820, IPL Fig. 2) and collar (825, IPL Fig. 2).
- (24) Manufacture bullnose doubler as shown in Fig. 607, locate to bullnose fairing and drill full-size fastener holes.
- (25) Apply BMS 5-63 sealant per BAC5000 to 12-inch section of bullnose, and locate to cowl reverser box installation (1, IPL Fig. 2).
- (26) Install permanent fasteners (845, 850, 968, IPL Fig. 2) through bullnose fairing (418, IPL Fig. 2) and cowl reverser box installation (1, IPL Fig. 2).

H. Assembly of 747/767 Upper Bifurcation Assembly RIGHT HAND (5, IPL Fig. 5)

- (1) Create a drill template which pins into the forwardmost hinge point on hinge fitting assembly (180, IPL Fig. 5) and locates at least two fastener holes common to the cowl reverser box installation (5, IPL Fig. 2). See Fig. 604.

**NOTE:** This tool should be first located to the old hinge fitting assembly (180, IPL Fig. 5) in order to backdrill hole locations.

These hole locations are used to locate the inboard/outboard position of hinge fitting assembly (180, IPL Fig. 5).

- (2) Locate tool to hinge fitting assembly (180, IPL Fig. 5), backdrill and deburr fastener holes.
- (3) Temporarily locate hinge fitting assembly (180, IPL Fig. 5) to fan duct cowl assembly (5D, IPL Fig. 1) and clamp in place.
- (4) Temporarily locate acoustic wall panel assembly (225B, IPL Fig. 5) to fan duct cowl assembly (5D, IPL Fig. 1) and hinge fitting assembly (180, IPL Fig. 5) and clamp in place.
- (5) Temporarily locate compression pad assembly (455, 540, IPL Fig. 5) to the acoustic wall panel assembly (225B, IPL Fig. 5) and clamp in place.
- (6) Put the upper bifurcation alignment tool A78023-35 in position on the hinge fitting assembly (180, IPL Fig. 5) and on the compression pad assembly (455, 540A, IPL Fig. 5).
- (7) Drill fastener holes through hinge fitting assembly (180, IPL Fig. 5) acoustic wall panel assembly (225B, IPL Fig. 5) and compression pad assembly (455, 540A, IPL Fig. 5).
- (8) Disassemble hinge fitting assembly (180, IPL Fig. 5), acoustic wall panel assembly (225B, IPL Fig. 5), and compression pad assembly (455, 540A, IPL Fig. 5) and deburr.
- (9) Manufacture nutplate strip assembly using nutplate MS21076-4 and NAS1068L3, bolt NAS1303-4, and bolt NAS1304-61/2-8. Secure nutplate strip assembly to hinge fitting assembly (180, IPL Fig. 5) as shown in Fig. 605.
- (10) Install track liner (215, IPL Fig. 5), bolts (5, 25, IPL Fig. 5), washer (10, IPL Fig. 5), and pin/retainer (15, 20, IPL Fig. 5).
- (11) Locate hinge fitting assembly (180, IPL Fig. 5) to fan duct cowl assembly (5D, IPL Fig. 1) and clamp in place.

71-11-56

REPAIR 2-1

01.1 Page 612

Nov 01/04



- (12) Locate acoustic wall panel assembly (225B, IPL Fig. 5) to fan duct cowl assembly (5D, IPL Fig. 1), hinge fitting assembly (180, IPL Fig. 5), strap (160, IPL Fig. 5) and compression pads (455, 540A, IPL Fig. 5) and clamp in place.
- (13) Put the upper bifurcation alignment tool A78023-35 in position on the hinge fitting assembly (180, IPL Fig. 5) and on the compression pad assembly (455, 540, IPL Fig. 5).
- (14) Install fasteners (50, 55, 60, 65, 70, 75, 80, 85, 90, 95, 123A, 124, 145, IPL Fig. 5), pin (151B, IPL Fig. 5), sleeve (152B, IPL Fig. 5), and collars (125, 130, 135, 140B, 150, 153A, IPL Fig. 5) through acoustic wall panel assembly (225B, IPL Fig. 5), strap (160, IPL Fig. 5), and hinge fitting assembly (180, IPL Fig. 5).
- (15) Locate aft cascade support ring (927, IPL Fig. 1), (909, IPL Fig. 18) to hinge fitting assembly (180, IPL Fig. 5) and install permanent fasteners (449, 451, 453, 455, 457, IPL Fig. 1), (603, 606, 609, 612, 615, IPL Fig. 18), washers (459, 461, 463, 465, 467, 469, IPL Fig. 1), (618, 621, 624, IPL Fig. 18), and nuts (471, 472, 473, IPL Fig. 1), (627, 630, 633, IPL Fig. 18).
- (16) Remove the upper bifurcation alignment tool A78023-35 and put it into storage.
- (17) Locate upper seal installation (439, IPL Fig. 1), (522, IPL Fig. 18) to acoustic wall panel assembly (225B, IPL Fig. 5) and install permanent fasteners (572, 576, 582, 586, 590, 592, 594, 596, 598, 604, 610, 612, 613, 616, 664, 666, 667, IPL Fig. 1), (399, 402, 408, 417A, 426, 429, 438, 441, 450, 453, 456, 459, 460, 462, 465, 468, 471, 477, 480, 483, 489, IPL Fig. 18), collars (588, 606, 608, 614, 618, 668, 669, IPL Fig. 1), (414, 423A, 432, 435, 447, 474, 486, 492, IPL Fig. 18), washer (578, IPL Fig. 1), and nut (580, IPL Fig. 1).
- (18) Locate actuator attach assembly (370, IPL Fig. 5) to acoustic wall panel assembly (225B, IPL Fig. 5) and install permanent fasteners (275, 290, 295, 305, 310, 320, IPL Fig. 5), and collars (285, 300, 315, 330, IPL Fig. 5).
- (19) Locate compression pad assembly (455, 540A, IPL Fig. 5) and install permanent fasteners (425, 430, 515, 517, 518, 523, IPL Fig. 5), and collars (435, 525, IPL Fig. 5).
- (20) Locate inner wall fillet fairing (662B, IPL Fig. 1), (393, IPL Fig. 18) and install permanent fasteners (620, 622, 624, 626, 628, 630, 632, 634, 636, 638, 640, 644, 645, 647, 658, IPL Fig. 1), (315, 318, 321, 324, 327, 330, 333, 336, 339, 342, 345, 354, 363, 366, 372, IPL Fig. 18) and collars (648, 649, 650, IPL Fig. 1), (348, 351, 369, 375, IPL Fig. 18).

- (21) Re-install all tubing and wiring to the upper bifurcation assembly (5, IPL Fig. 5) in original position using salvaged fasteners.
- (22) Install fasteners (370, 800, 810, 815, 820, 830, 860, 865, 880, 890, 900, 920, 976, IPL Fig. 2), collars (825, 885, 895, IPL Fig. 2), washers (375, 835, 905, 925, IPL Fig. 2), and nuts (380, 840, IPL Fig. 2) through hinge fitting assembly (175, IPL Fig. 5) and cowl reverser box installation (1, IPL Fig. 2; Fig. 606).
- (23) Locate and install angle (829, IPL Fig. 2) and install permanent fastener (820, IPL Fig. 2) and collar (825, IPL Fig. 2).
- (24) Manufacture bullnose doubler as shown in Fig. 607, locate to bullnose fairing and drill full-size fastener holes.
- (25) Apply BMS 5-63 sealant per BAC5000 to 12-inch section of bullnose, and locate to cowl reverser box installation (5, IPL Fig. 2).
- (26) Install permanent fasteners (845, 850, 968, IPL Fig. 2) through bullnose fairing (418, IPL Fig. 2) and cowl reverser box installation (5, IPL Fig. 2).

I. Assembly of 747 Upper Bifurcation Fairing Installation LEFT HAND (326, IPL Fig. 1), (300, IPL Fig. 18).

- (1) Locate angle assembly (265, IPL Fig. 9), tie angle (285, IPL Fig. 9), angle assembly (370, IPL Fig. 9), and support (390, IPL Fig. 9) in one piece to hinge fitting assembly (175, IPL Fig. 5) and clamp in place.
- (2) Backdrill through angle support (370, IPL Fig. 9), angle assembly (265, IPL Fig. 9), tie angle (285, IPL Fig. 9), support (340, IPL Fig. 9) and hinge fitting assembly (175, IPL Fig. 5) and deburr fastener holes.
- (3) Locate aux track liner (45, IPL Fig. 5) to hinge fitting assembly (175, IPL Fig. 5).
- (4) Install permanent fasteners (37, IPL Fig. 5) through aux track liner (45, IPL Fig. 5), support (370, IPL Fig. 9), angle assembly (265, IPL Fig. 9), tie angle (285, IPL Fig. 9), support (340, IPL Fig. 9), and hinge fitting assembly (175, IPL Fig. 5).
- (5) Temporarily locate panel assembly (150B, IPL Fig. 9), supports (350, 360, IPL Fig. 9), and support assembly (380, 395, IPL Fig. 9) to hinge fitting assembly (175, IPL Fig. 5) and clamp in place.
- (6) Backdrill and deburr fastener holes through support (350, 360, IPL Fig. 9), support assembly (380, 395, IPL Fig. 9), and hinge fitting assembly (175, IPL Fig. 5).

71-11-56

REPAIR 2-1

01.1

Page 614

Nov 01/04

- (7) Remove panel assembly (150B, IPL Fig. 9).
  - (8) Install permanent fasteners (330, 390, 405, IPL Fig. 9) through supports (350, 360, IPL Fig. 9), support assembly (380, 395, IPL Fig. 9), and hinge fitting assembly (175, IPL Fig. 5).
  - (9) Locate and install rubstrip assembly (680, IPL Fig. 2) using fasteners (690, 710, IPL Fig. 2).
  - (10) Locate panel assembly (150B, IPL Fig. 9), filler assembly (80, 115, IPL Fig. 9) and install permanent fasteners (20, 21, IPL Fig. 9).
  - (11) Locate support angles (465, 480, 525, IPL Fig. 9), clip (500, IPL Fig. 9), angle assembly (470, 490, IPL Fig. 9), shim (535, IPL Fig. 9), fairing molding (410, IPL Fig. 9), filler assembly (425, IPL Fig. 9), and install hi-lok (515, IPL Fig. 9), bolts (10, 21, 25, IPL Fig. 9), and collar (520, IPL Fig. 9).
- J. Assembly of 747 Upper Bifurcation Fairing Installation RIGHT HAND (327, IPL Fig. 1), (303, IPL Fig. 18).
- (1) Locate angle assembly (270, 375, IPL Fig. 9), tie angle (290, IPL Fig. 9), angle assembly (375, IPL Fig. 9), and support (345, IPL Fig. 9) in one piece to hinge fitting assembly (180, IPL Fig. 5) and clamp in place.
  - (2) Backdrill through angle support (375, IPL Fig. 9), angle assembly (270, IPL Fig. 9), tie angle (290, IPL Fig. 9), support (345, IPL Fig. 9) and hinge fitting assembly (180, IPL Fig. 5) and deburr fastener holes.
  - (3) Locate aux track liner (47, IPL Fig. 5) to hinge fitting assembly (180, IPL Fig. 5).
  - (4) Install permanent fasteners (37, IPL Fig. 5) through aux track liner (47, IPL Fig. 5), support (375, IPL Fig. 9), angle assembly (270, IPL Fig. 9), tie angle (290, IPL Fig. 9), support (345, IPL Fig. 9), and hinge fitting assembly (180, IPL Fig. 5).
  - (5) Temporarily locate panel assembly (155B, IPL Fig. 9), supports (355, 365, IPL Fig. 9), and support assembly (385, 400, IPL Fig. 9) to hinge fitting assembly (180, IPL Fig. 5) and clamp in place.
  - (6) Backdrill and deburr fastener holes through support (355, 365, IPL Fig. 9), support assembly (385, 400, IPL Fig. 9), and hinge fitting assembly (180, IPL Fig. 5).
  - (7) Remove panel assembly (155B, IPL Fig. 9).

- (8) Install permanent fasteners (330, 390, 405, IPL Fig. 9) through supports (355, 365, IPL Fig. 9), support assembly (385, 400, IPL Fig. 9), and hinge fitting assembly (180, IPL Fig. 5).
  - (9) Locate and install rubstrip assembly (685, IPL Fig. 2) using fasteners (690, 710, IPL Fig. 2).
  - (10) Locate panel assembly (155B, IPL Fig. 9), filler assembly (80, 115, IPL Fig. 9) and install permanent fasteners (20, IPL Fig. 9).
  - (11) Locate support angles (465, 485, 530, IPL Fig. 9), clip (505, IPL Fig. 9), angle assembly (475, 495, IPL Fig. 9), shim (540, IPL Fig. 9), fairing molding (415, IPL Fig. 9), filler assembly (425, IPL Fig. 9), and install hi-lok (515, 520, IPL Fig. 9), bolts (10, 21, 25, IPL Fig. 9), and collar (520, IPL Fig. 1).
- K. Assembly of 767 Upper Bifurcation Fairing Installation LEFT HAND (328, IPL Fig. 1), (306, IPL Fig. 18).
- (1) Locate rubstrip assembly (680, IPL Fig. 2) to hinge fitting assembly (175, IPL Fig. 5).
  - (2) Backdrill fastener holes through rubstrip assembly (680, IPL Fig. 2) and hinge fitting assembly (175, IPL Fig. 5) and deburr.
  - (3) Install screws (690, 710, IPL Fig. 2) and rivet (715, IPL Fig. 2) through rubstrip assembly (680, IPL Fig. 2) and hinge fitting assembly (175, IPL Fig. 5).
  - (4) Locate angle (285, IPL Fig. 17), skin (325, IPL Fig. 17), clip (300, IPL Fig. 17), and zee (290, IPL Fig. 17) and install permanent fasteners (275, 280, 310, IPL Fig. 17) and collar (315, IPL Fig. 17).
  - (5) Locate fairing assembly (292, IPL Fig. 1) to hinge fitting assembly (175, IPL Fig. 5).
  - (6) Backdrill fastener holes through fairing assembly (292, IPL Fig. 1) and hinge fitting assembly (175, IPL Fig. 5) and deburr.
  - (7) Locate aux track liner (45, IPL Fig. 5) to hinge fitting assembly (175, IPL Fig. 5).
  - (8) Install permanent fasteners (37, IPL Fig. 5) through fairing assembly (292, IPL Fig. 1), hinge fitting assembly (175, IPL Fig. 5), and aux track liner (45, IPL Fig. 5).
  - (9) Locate skin assembly (335, 415, IPL Fig. 17), support assembly (35, 80, 115, 150, 195, 230, IPL Fig. 17), and clamp in place.

71-11-56

REPAIR 2-1

01.1

Page 616

Nov 01/04

- (10) Backdrill fastener holes through support assembly (35, 80, 115, 150, 195, 230, IPL Fig. 17), hinge fitting assembly (175, IPL Fig. 5) and deburr.
- (11) Install bolt (20, 65, IPL Fig. 17) or rivet (15, IPL Fig. 17) through support assemblies (35, 80, 115, 150, 195, 230, IPL Fig. 17), and hinge fitting (175, IPL Fig. 17).

L. Assembly of 767 Upper Bifurcation Fairing Installation RIGHT HAND  
(331, IPL Fig. 1), (309, IPL Fig. 18).

- (1) Locate rubstrip assembly (685, IPL Fig. 2) to hinge fitting assembly (180, IPL Fig. 5).
- (2) Backdrill fastener holes through rubstrip assembly (685, IPL Fig. 2) and hinge fitting assembly (180, IPL Fig. 5) and deburr.
- (3) Install screws (690, 710, IPL Fig. 2) and rivet (715, IPL Fig. 2) through rubstrip assembly (685, IPL Fig. 2) and hinge fitting assembly (180, IPL Fig. 5).
- (4) Locate angle (285, IPL Fig. 17), skin (330, IPL Fig. 17), clip (305, IPL Fig. 17), and zee (295, IPL Fig. 17) and install permanent fasteners (275, 280, 310, IPL Fig. 17) and collar (315, IPL Fig. 17).
- (5) Locate fairing assembly (295, IPL Fig. 1) to hinge fitting assembly (180, IPL Fig. 5).
- (6) Backdrill fastener holes through fairing assembly (295, IPL Fig. 1) and hinge fitting assembly (180, IPL Fig. 5) and deburr.
- (7) Locate aux track liner (47, IPL Fig. 5) to hinge fitting assembly (180, IPL Fig. 5).
- (8) Install permanent fasteners (37, IPL Fig. 5) through fairing assembly (295, IPL Fig. 1), hinge fitting assembly (180, IPL Fig. 5), and aux track liner (47, IPL Fig. 5).
- (9) Locate skin assembly (340, 420, IPL Fig. 17), support assembly (40, 85, 120, 155, 200, 235, IPL Fig. 17), and clamp in place.
- (10) Backdrill fastener holes through support assembly (40, 85, 120, 155, 200, 235, IPL Fig. 17), hinge fitting assembly (180, IPL Fig. 5) and deburr.
- (11) Install bolt (20, 65, IPL Fig. 17) or rivet (15, IPL Fig. 17) through support assemblies (40, 85, 120, 155, 200, 235, IPL Fig. 17), and hinge fitting (180, IPL Fig. 17).

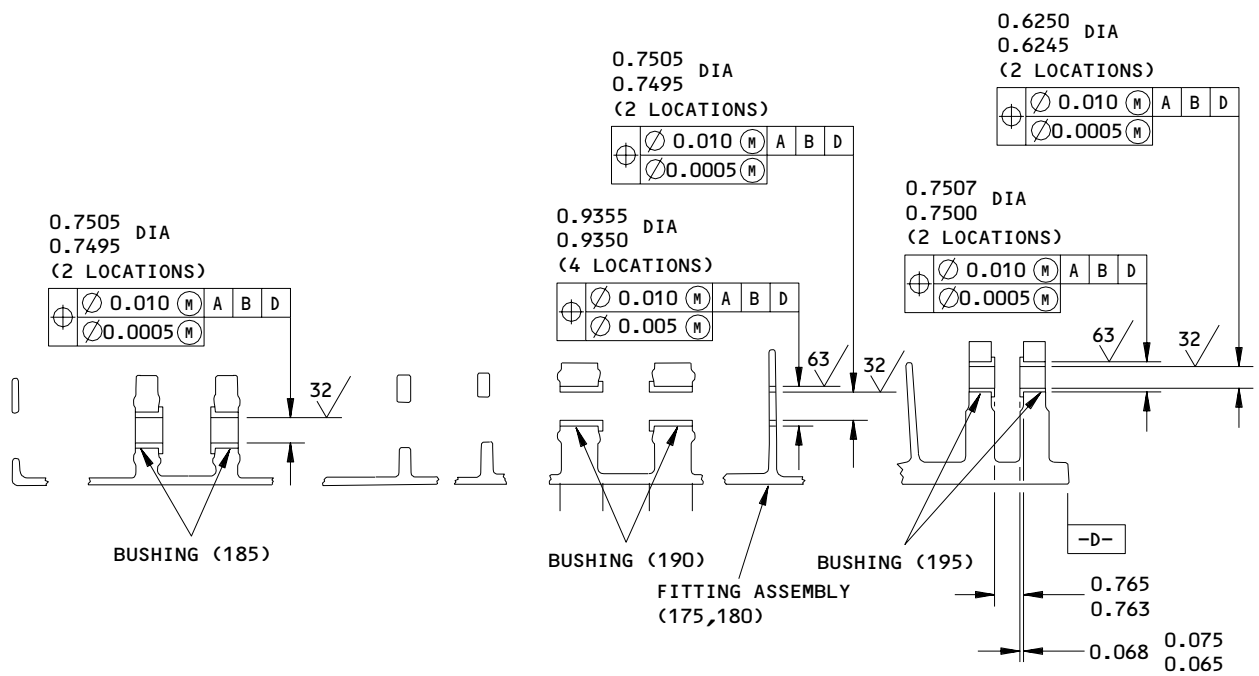
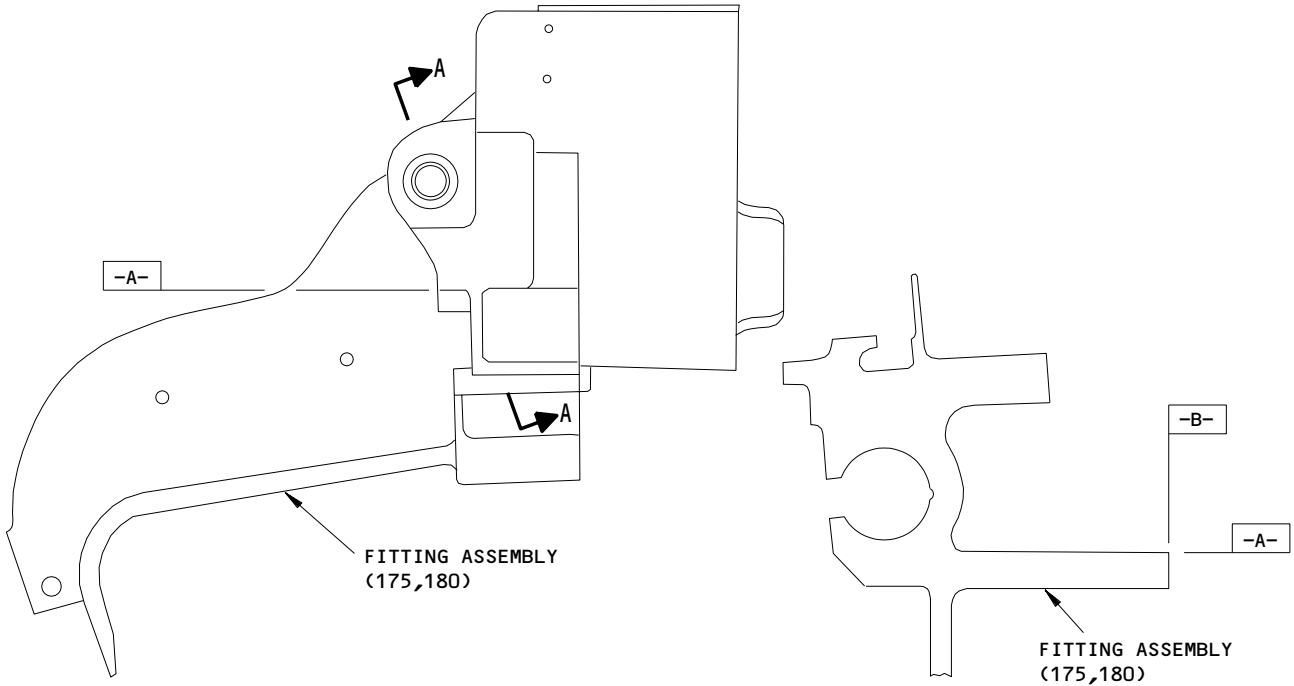
**71-11-56**

REPAIR 2-1

01.1

Page 617

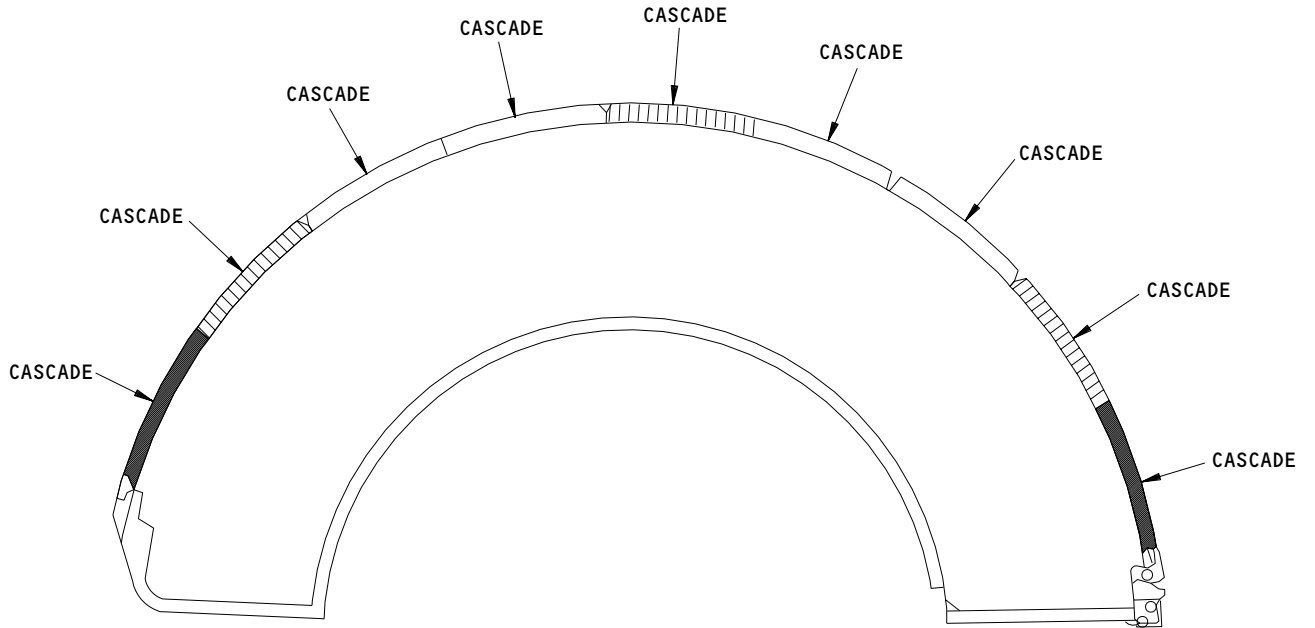
Nov 01/04




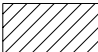
(ROTATED 16°25'30" CW)  
 A-A

ITEM NUMBERS REFER TO IPL FIG. 5  
 ALL DIMENSIONS ARE IN INCHES

315T4303-1,-2,-5,-6,-13,-14,-17,-18,-23,-24,-25,-29,-30,-33,-34  
 315T4305-1,-2,-5,-6,-11,-12,-15,-16  
 Bushing Replacement  
 Figure 601



 MINIMUM CASCADES REMOVAL REQUIRED  
PER PROCEDURES.

 SUGGESTED REQUIRED CASCADES  
PER PROCEDURES.

Fan Duct Cowl Assembly  
Figure 602

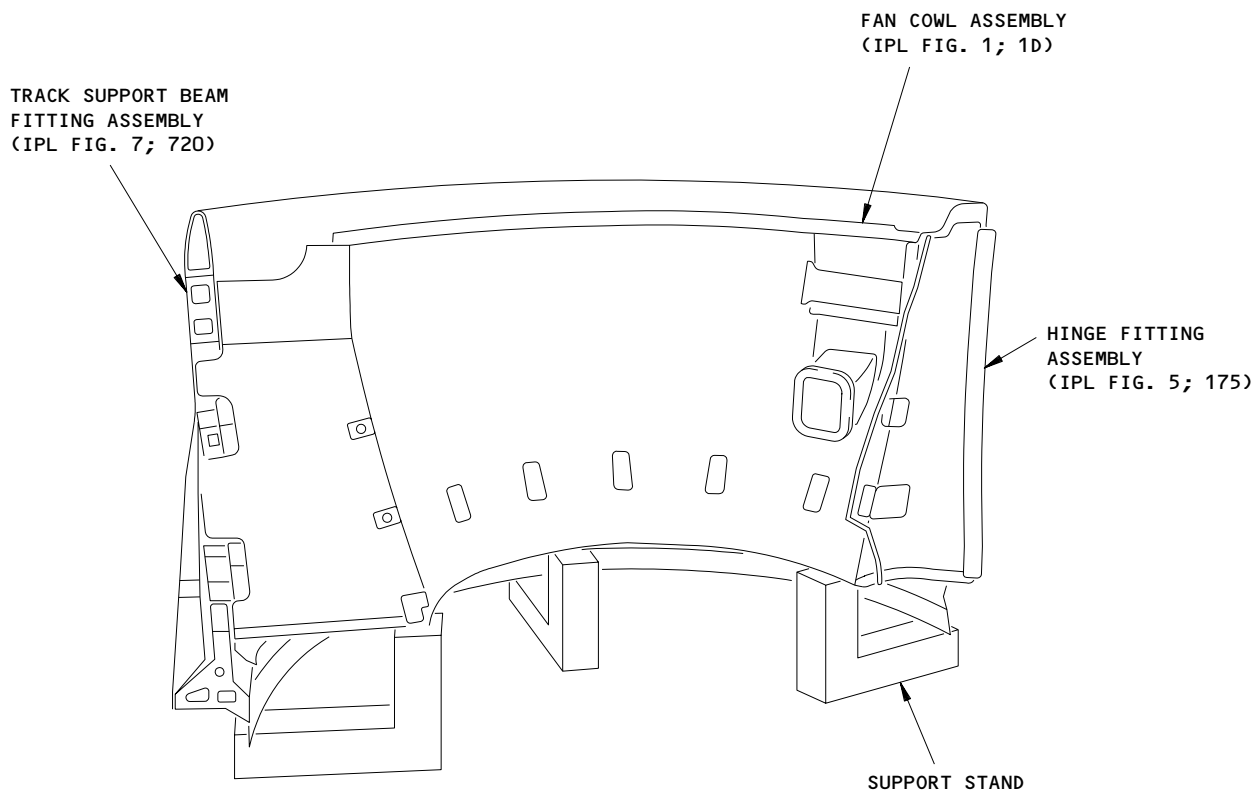
**71-11-56**

REPAIR 2-1

Page 619

Mar 01/97

01.1



Fan Duct Cowl Assembly  
Figure 603

**71-11-56**

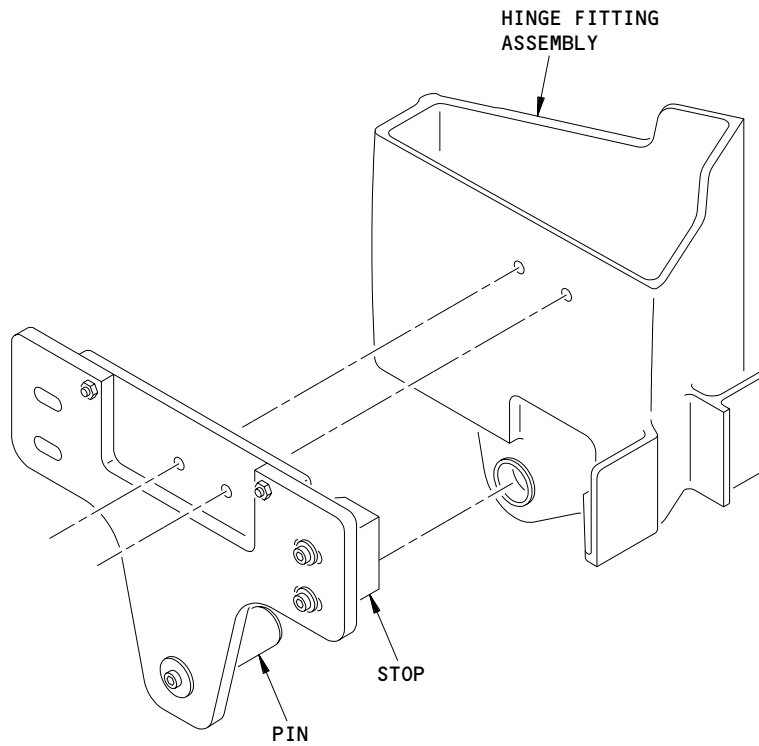
REPAIR 2-1

01.1

Page 620

Nov 01/04





Hinge Fitting Assembly Upper Bifurcation and Tool  
Figure 604

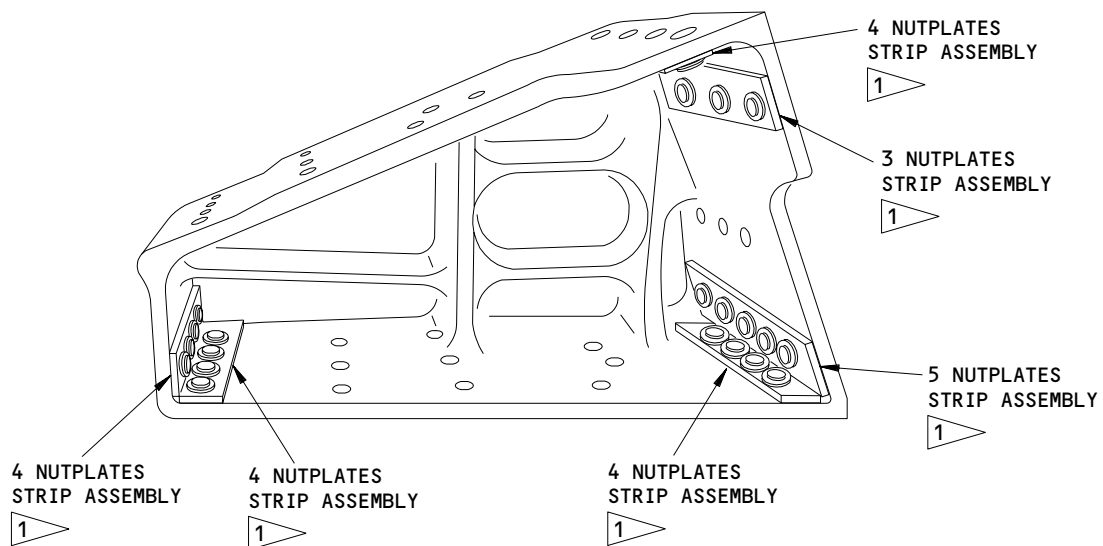
**71-11-56**

REPAIR 2-1

Page 621

Mar 01/97

01.1



1 BOND NUTPLATE STRIP ASSEMBLY PER 20-50-12.

Nutplate Strip Assembly Installation  
Figure 605

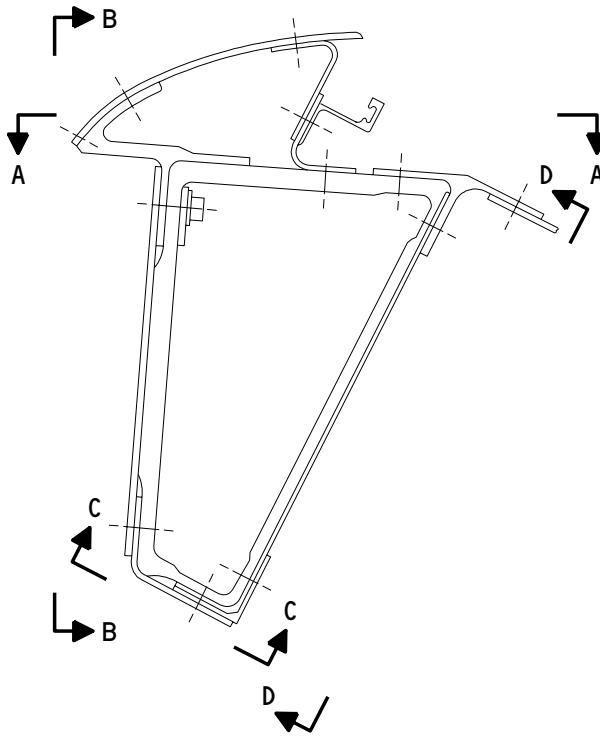
71-11-56

REPAIR 2-1

Page 622

Mar 01/97

01.1



Torque Box Installation - Reverser Cowl  
Figure 606 (Sheet 1)

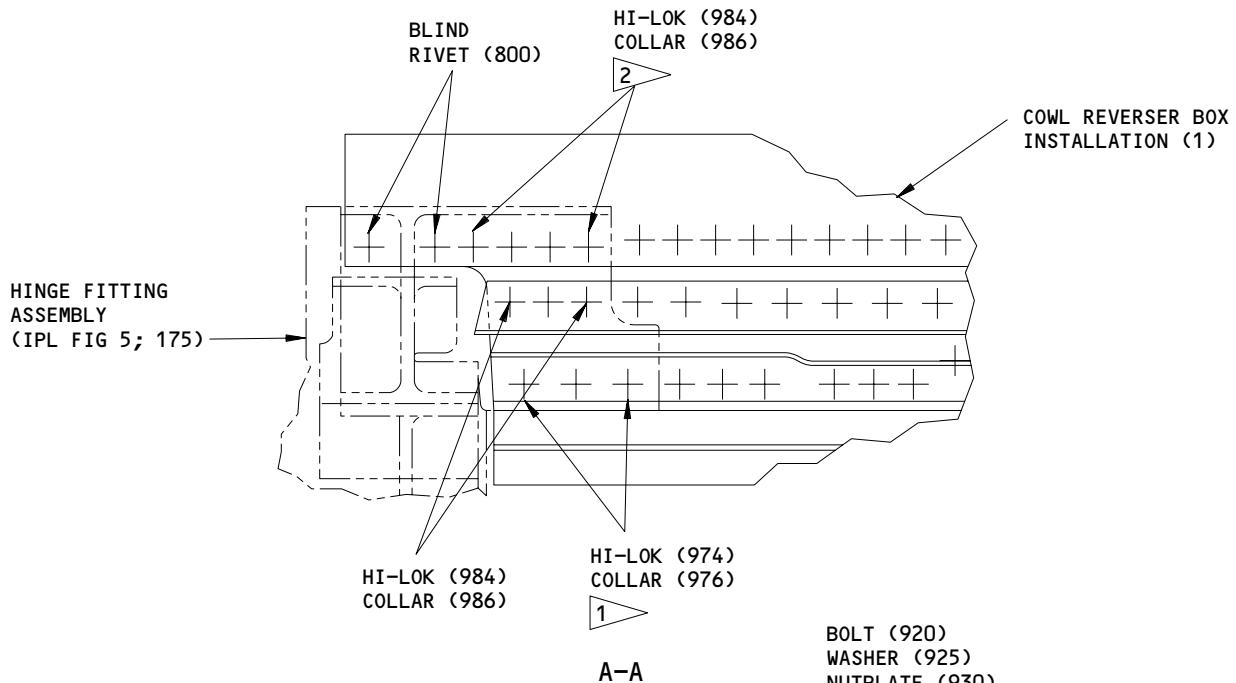
**71-11-56**

REPAIR 2-1

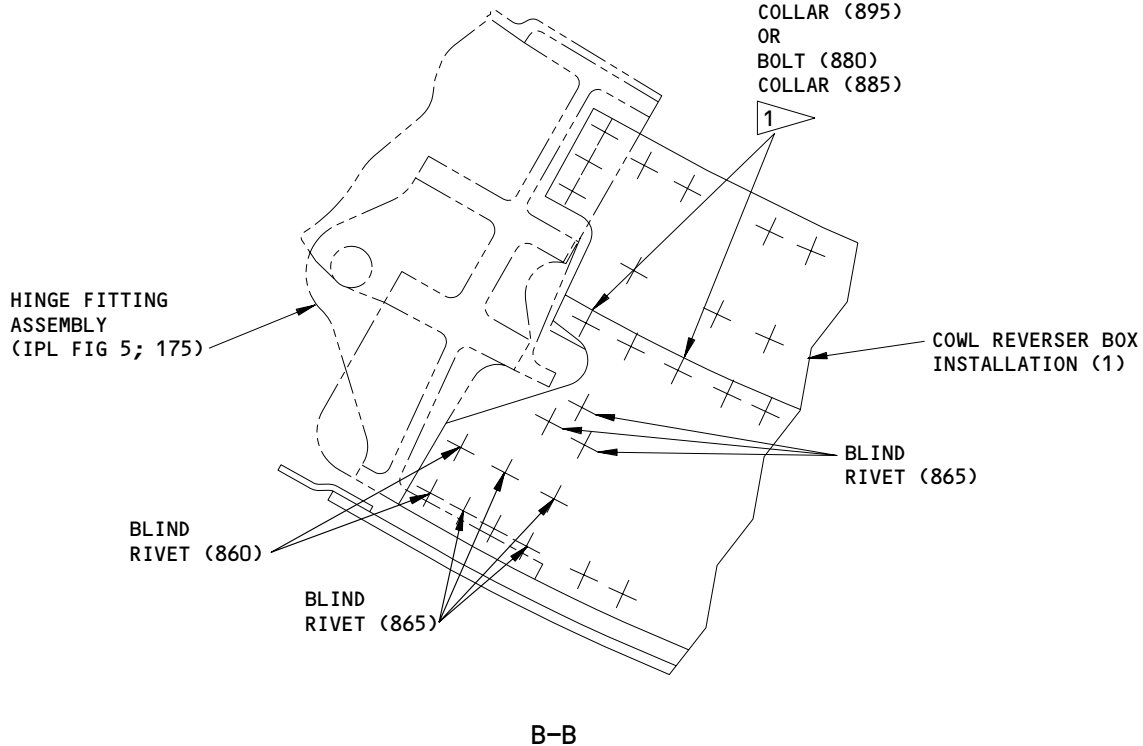
Page 623

Mar 01/97

01.1



- BOLT (920)
- WASHER (925)
- NUTPLATE (930)
- OR
- BOLT (890,900)
- WASHER (905)
- NUTPLATE (915)
- COLLAR (895)
- OR
- BOLT (880)
- COLLAR (885)

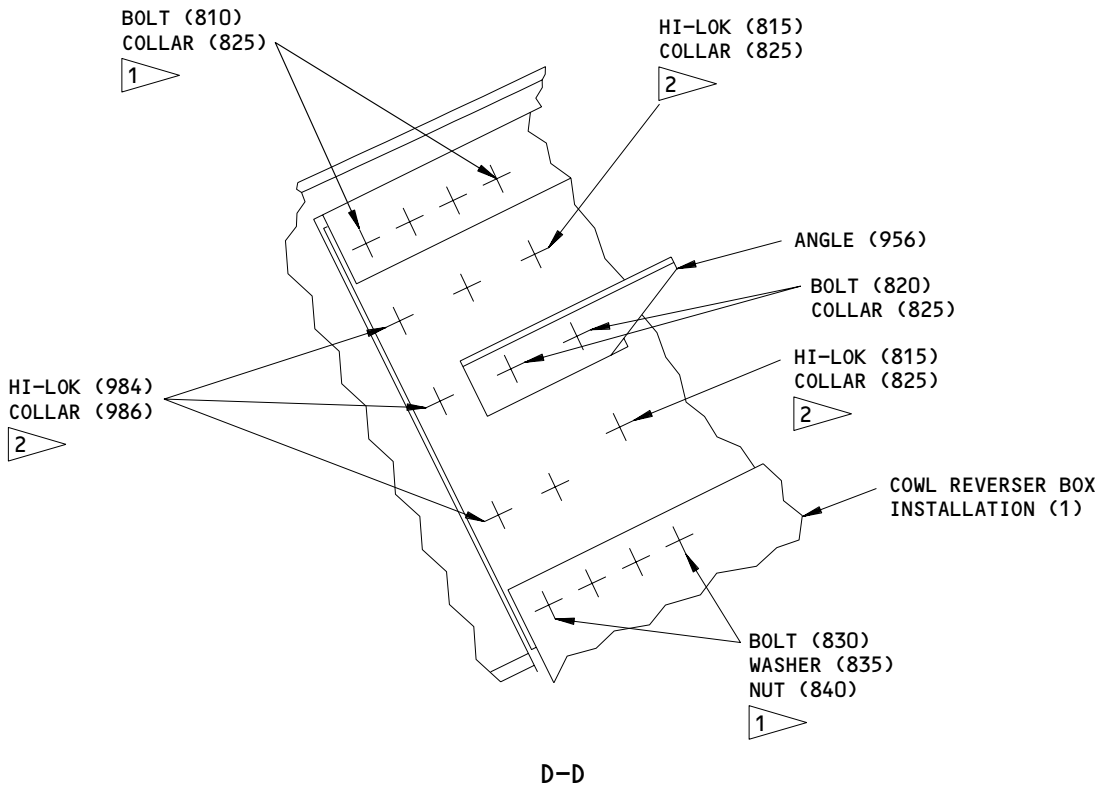
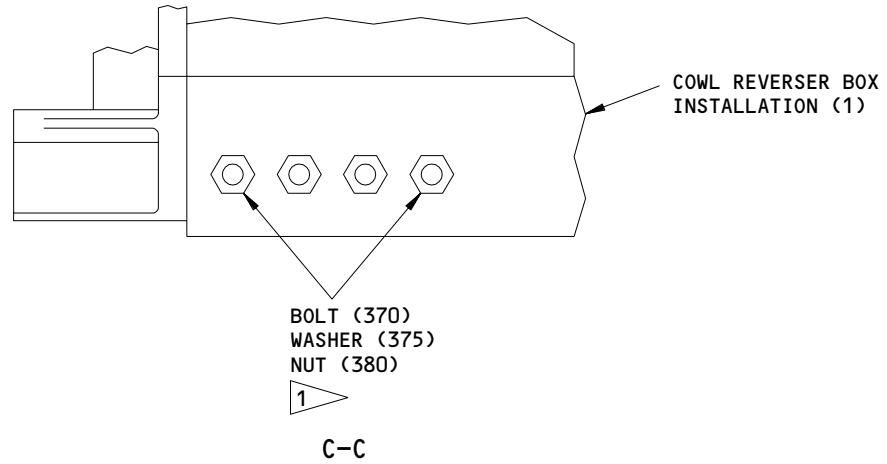


Torque Box Installation - Reverser Cowl  
 Figure 606 (Sheet 2)

**71-11-56**

REPAIR 2-1  
 Page 624  
 Mar 01/97

01.1



- 1 USE NUTPLATE STRIP ASSEMBLY IN LIEU OF COLLARS AS SHOWN IN FIG. 605.
- 2 USE BLIND RIVETS IN LIEU OR PRODUCTION FASTENERS.

ITEM NUMBERS REFER TO IPL FIG. 2 UNLESS SHOWN DIFFERENTLY.

Torque Box Installation - Reverser Cowl  
Figure 606 (Sheet 3)

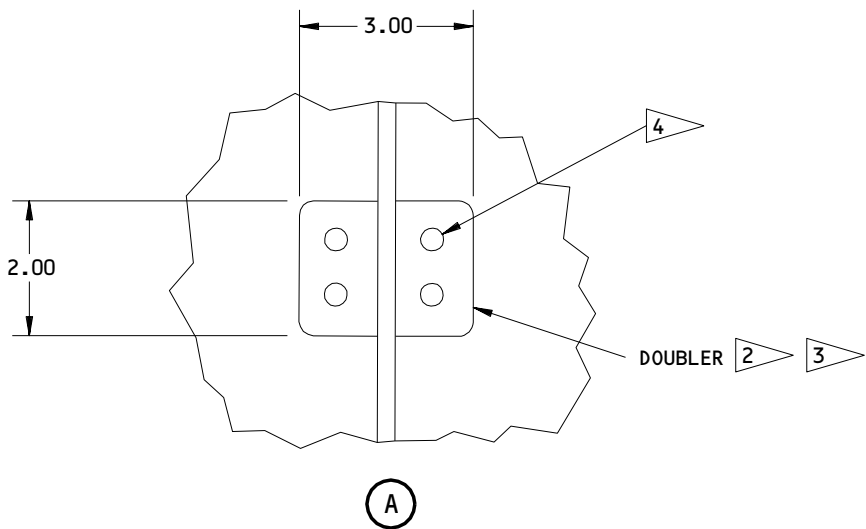
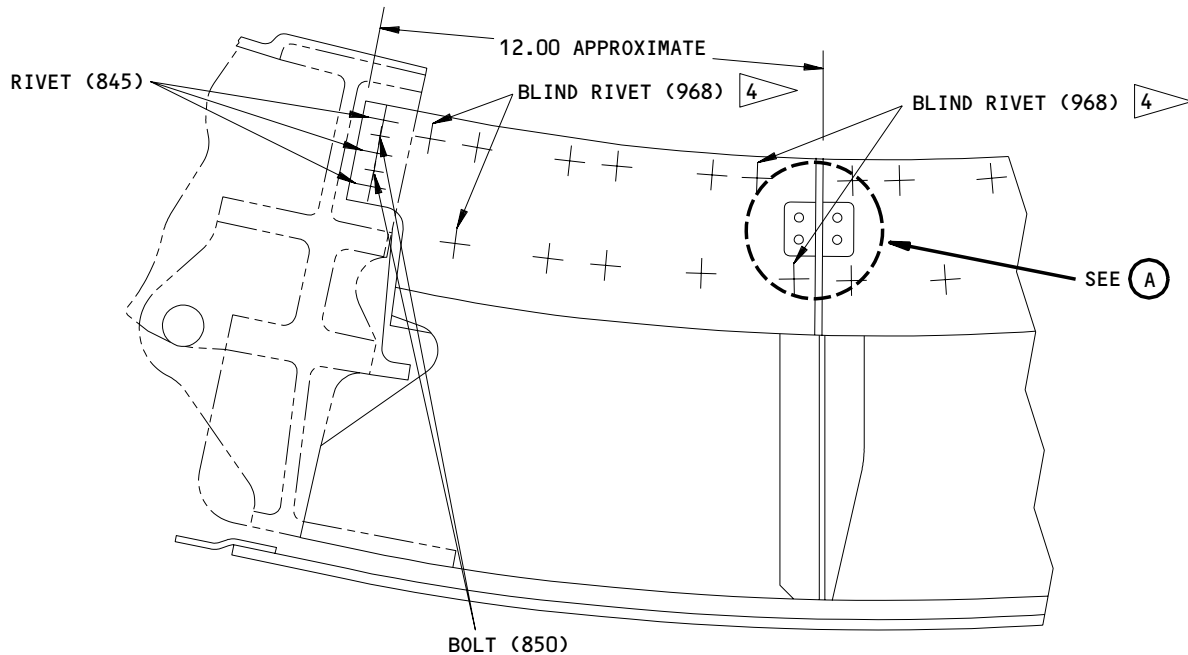
**71-11-56**

REPAIR 2-1

01.1

Page 625

Mar 01/97



- 1 ▷ FAY SURFACE SEAL BULLNOSE FAIRING PRIOR TO INSTALLATION USING BMS 5-63 PER BAC5000.
- 2 ▷ ALL DIMENSION ARE APPROXIMATE AND SHOULD BE ADJUSTED TO INSURE FASTENER EDGE MARGIN.
- 3 ▷ FORM DOUBLER TO MATCH BULLNOSE FAIRING.
- 4 ▷ INSTALL NAS1399CW6 FASTENERS WET USING BMS 5-63 PER BAC5000.
- 5 ▷ FILL AND FAIR GAP USING BMS 5-63 PER BAC5000.

ITEM NUMBERS REFER TO IPL FIG. 2 UNLESS SHOWN DIFFERENTLY.  
 ALL DIMENSIONS ARE IN INCHES

**Torque Box Installation - Reverser Cowl  
 Figure 607**

ATTACH ASSEMBLY - REPAIR 3-1

315T3308-33, -34, -39, -40, -43, -44, -49, -50

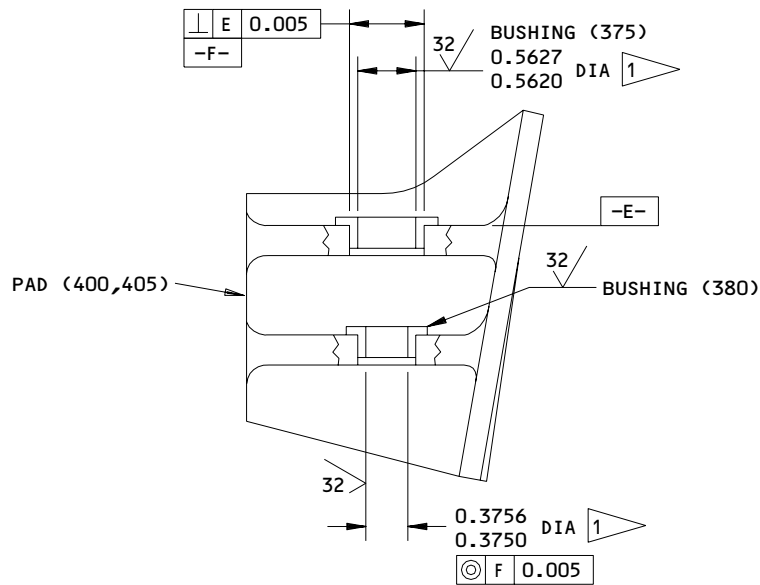
**NOTE:** Refer to REPAIR-GEN for list of applicable standard practices.

1. Bushing (375, 380) Replacement (IPL Fig. 5)

- A. Remove bushings.
- B. Install bushings per 20-50-03.
- C. Machine bushings per Fig. 601.
- D. Fillet seal entire periphery of bushing flanges using BMS 5-26 sealant.

2. Refinish

- A. Pads (400, 405) -- Chromic acid anodize, type 1 and apply one coat BMS 10-11, type 1 primer per 20-41-02 (F-18.13), all over. Material: Aluminum alloy.



1 CHAMFER BOTH ENDS 0.005 - 0.015 X 45 DEGREES

ITEM NUMBERS REFER TO IPL FIG. 5  
ALL DIMENSIONS ARE IN INCHES

315T3308-33,-34,-39,-40,-43,-44,-49,-50  
Bushing Replacement  
Figure 601

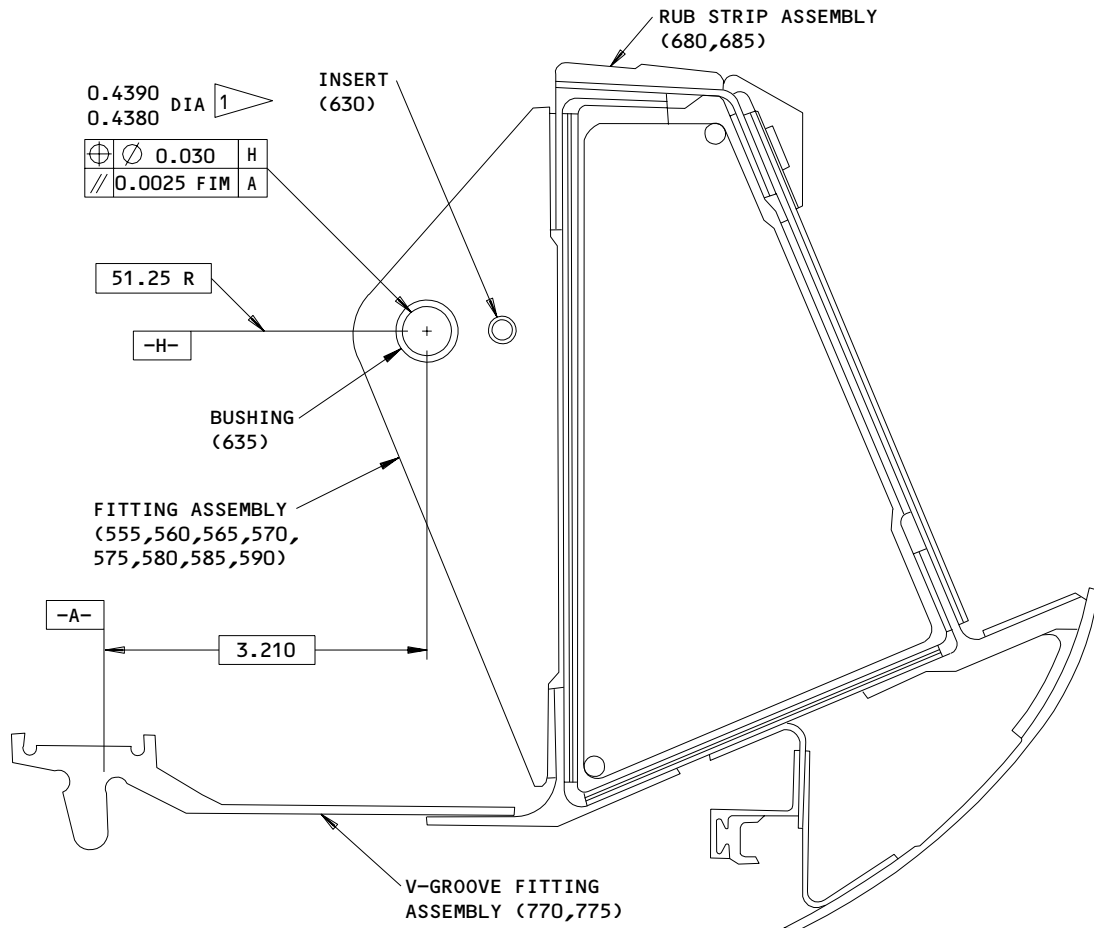
TORQUE BOX INSTALLATION – REPAIR 4-1

315T3202-149, -150, -179, -180, -233 THRU -236

**NOTE:** Refer to REPAIR-GEN for list of applicable standard practices.

1. Machining of Bushings (635) (IPL Fig. 2)

A. Machine bushing (635) inside diameter per Fig. 601.



1 LINE REAM THRU FITTING ASSEMBLIES (555,560,565,570,575,580,585,590)

ITEM NUMBERS REFER TO IPL FIG. 2  
ALL DIMENSIONS ARE IN INCHES

315T3202-149,150,-179,-180,-233 THRU -236  
Machining of Bushing  
Figure 601



FITTING ASSEMBLY – REPAIR 5-1

315T3634-1, -2, -10, -11, -15, -16, -23, -24, -27, -28

**NOTE:** Refer to REPAIR – GENERAL for a list of applicable standard practices.

**1. Bushing (635, IPL Fig. 2; 130, IPL Fig. 25) Replacement**

- A. Remove bushing.
- B. Install bushing per 20-50-03.
- C. Fillet seal entire periphery of bushing flange using BMS 5-26 sealant.

**NOTE:** Machining of bushing inside diameter is covered in REPAIR 4-1.

**2. Insert (630, IPL Fig. 2; 135, IPL Fig. 25) Replacement**

- A. Remove insert
- B. Apply BMS 10-11, type 1 primer to insert per 20-41-02 (F-20.06) and install 3/4 to 1 1/2 turns below surface and break off tangs.

**3. Refinish**

- A. Fittings (640, 650, 660, 670, IPL Fig. 2; 140, 145, IPL Fig. 25) -- Chromic acid anodize, type 1 and apply one coat BMS 10-11, type 1 primer per 20-41-02 (F-18.13). Omit primer from holes for bushings and insert. Material: Aluminum alloy.

**71-11-56**

REPAIR 5-1

01.1

Page 601

Nov 01/04

LOWER BIFURCATION TRACK SUPPORT BEAM FITTING ASSEMBLY – REPAIR 6-1

315T4403-2, -7, -11, -12, -15, -16, -19, -20, -23, -24, -27, -28

NOTE: Refer to REPAIR-GEN for list of applicable standard practices

1. Bushing (729, 730, 732) Replacement (IPL Fig. 7)

- A. Remove bushings.
- B. Install bushings per 20-50-03 using wet BMS 5-26 sealant.
- C. Install bushings (729, 732) flush to 0.005 below flush with machined surface opposite spotface.
- D. Machine bushings per Fig. 601.

2. Refinish

- A. Fittings (733, 734) -- Chromic acid anodize, type 1 or sulfuric acid anodize, type 2 (F-17.05), and apply one coat BMS 10-79, type 3 primer (F-19.47), all over except max primer thickness to be 0.0015. Omit primer in holes for bushings. Material: Aluminum alloy.

3. Lower Bifurcation Track Support Beam Fitting Assembly (720, 728) (IPL Fig. 7)

A. Disassembly of Lower Bifurcation Assembly LEFT HAND (1, IPL Fig. 7)

- (1) Install the left-hand fan duct cowl assembly (1D, IPL Fig. 1) in a holding fixture.

NOTE: It is recommended that the forward end of the fan duct cowl be placed down. See Fig. 603. If the fan duct cowl is placed in a "cup up" position, the inner fan duct cowl ring will have to be supported.

Figure 602 is an example of the fan duct cowl assembly in the "cup down" position.

**71-11-56**

REPAIR 6-1

01.1 Page 601

Mar 01/97

- (2) Remove the cascade assembly (146, 247, IPL Fig. 1) by removing fasteners (481, 490, IPL Fig. 1) and washers (484, 493, IPL Fig. 1).

**NOTE:** If additional cascade assemblies need to be removed, leave at least three cascade assemblies installed. See Fig. 602 for recommended cascade assembly removal.

**CAUTION:** DO NOT REMOVE ANY FASTENERS UNTIL THE LOWER BIFURCATION ALIGNMENT TOOL HAS BEEN INSTALLED AND SET.

WHEN DRILLING OUT RIVETS TO BE REMOVED, TAKE CARE NOT TO ENLARGE THE FASTENER HOLES. THE INSTALLATION PROCESS RELIES ON THE FASTENER PATTERN BEING ACCURATE.

- (3) Put the lower LH bifurcation alignment tool A78023-3 in position on the track support beam fitting assembly (720, IPL Fig. 7) and on the compression pad (788, IPL Fig. 1) at nacelle stations 148 and 158 as shown in Repair 6-1, Fig. 604.

**CAUTION:** DO NOT MODIFY THE ALIGNMENT TOOL SETTINGS UNTIL AFTER THE NEW TRACK SUPPORT BEAM FITTING ASSEMBLY HAS BEEN INSTALLED.

- (4) Remove skin (770, IPL Fig. 7) by removing rivet (750, IPL Fig. 7).
- (5) Remove angles (860, 850, 880, 890, IPL Fig. 7), intercostals (910, 870, IPL Fig. 7), rib (820, IPL Fig. 7), spacer (780, IPL Fig. 7), and rub strip (810, IPL Fig. 7) by removing fasteners (830, 835, 840, 800, IPL Fig. 7) and collars (845, IPL Fig. 7).
- (6) Remove fairing (220, IPL Fig. 7) by removing fasteners (160, 165, 167, 170, 190, 195, 200, 205, 210, 215, IPL Fig. 7) and collar (185, IPL Fig. 7).
- (7) Remove angles (230, 240, 250, 270, IPL Fig. 7), and support (260, IPL Fig. 7) by removing fasteners (175, 180, IPL Fig. 7), and collars (185, 187, IPL Fig. 7).
- (8) Remove fasteners (10, 15, 20, 35, 45, 50, 60, 70, 75, 80, 85, 105, IPL Fig. 7) and collars (40, 100, IPL Fig. 7) attaching wall panel assembly (740A, IPL Fig. 7) to track support beam fitting assembly (720, IPL Fig. 7).
- (9) Remove fillet fairing (768, IPL Fig. 1) by removing rivet (709, IPL Fig. 1), bolts (710, 712, 714, 715, IPL Fig. 1), collars (716, IPL Fig. 1), pin (718B, IPL Fig. 1), sleeve (720A, IPL Fig. 1), collar (722A, IPL Fig. 1), blind rivets (698, 700, IPL Fig. 1), rivets (702, 704, IPL Fig. 1).

**71-11-56**

REPAIR 6-1

01.1 Page 602

Nov 01/00

- (10) Remove attach angle (60, IPL Fig. 16) by removing rivet (707, IPL Fig. 1), pins (717, 729A, 729B, 900, IPL Fig. 1), sleeves (721, 739, 903, IPL Fig. 1), collars (723, 739A, 906, IPL Fig. 1), bolts (724, 725, 726, 728, 730, 732, 736, IPL Fig. 1), collars (734, 738, IPL Fig. 1), rivet (704, IPL Fig. 1).
- (11) Compression pad (788, IPL Fig. 1) is now loose and can be removed.
- (12) Using wooden wedges, separate wall panel assembly (740A, IPL Fig. 7) from the inner wall assembly (544, 545, IPL Fig. 1).
- (13) Using wooden wedges, separate wall panel assembly (740A, IPL Fig. 7) from track support beam fitting assembly (720, IPL Fig. 7).  
  
**NOTE:** If sealant prevents easy removal of wall panel assembly from track support beam fitting, use Porta-Power to slide parts free by applying light pressure to a temporarily attached angle on the wall panel.
- (14) Remove fasteners (395, 405, 430, 435, 440, 445, 455, 460, IPL Fig. 7) and collars (415, 420, IPL Fig. 7) from the torque box attach fitting assembly (516, IPL Fig. 7).
- (15) Remove fasteners (552, IPL Fig. 1), collar (554, IPL Fig. 1) and nut (474, IPL Fig. 1) from the aft cascade support ring (796, IPL Fig. 1).
- (16) Remove track support beam fitting assembly (720, IPL Fig. 7).
- (17) Remove track liner (638, IPL Fig. 7) by removing screw (632, IPL Fig. 7), bolt (624, IPL Fig. 7), washer (626, IPL Fig. 7) and pin/retainers (628, 630, IPL Fig. 7).
- (18) Remove shear pins (295, IPL Fig. 7), washers (300, 305, 310, IPL Fig. 7) and nut (315, IPL Fig. 7).
- (19) Remove latch keepers (485, 495, IPL Fig. 7) by removing rivets (375, 490, 500, IPL Fig. 7), fastener (330, IPL Fig. 7) and collar (345, IPL Fig. 7).
- (20) Remove the auxiliary track liner (736A, IPL Fig. 7) from track support beam fitting assembly (720, IPL Fig. 7).
- (21) Remove aft fairing assembly (528, IPL Fig. 7) by removing rivets (532, IPL Fig. 7).
- (22) Remove hook bolt (610, IPL Fig. 7), washers (612, 614, 616, 618, 620, IPL Fig. 7), bushing (729, IPL Fig. 7) and nut (622, IPL Fig. 7).

71-11-56

REPAIR 6-1

01.1

Page 603

Nov 01/00

B. Disassembly of Lower Bifurcation Assembly RIGHT HAND (5, IPL Fig. 7)

- (1) Install the right-hand fan duct cowl assembly (5, IPL Fig. 1) in a holding fixture.

**NOTE:** It is recommended that the forward end of the fan duct cowl be placed down. See Fig. 603. If the fan duct cowl is placed in a "cup up" position, the inner fan duct cowl ring will have to be supported.

Figure 602 is an example of the fan duct cowl assembly in the "cup down" position.

- (2) Remove the cascade assembly (149, 244, IPL Fig. 1) by removing fasteners (481, 490, IPL Fig. 1) and washers (484, 493, IPL Fig. 1).

**NOTE:** If additional cascade assemblies need to be removed, leave at least three cascade assemblies installed. See Fig. 602 for recommended cascade assembly removal.

**CAUTION:** DO NOT REMOVE ANY FASTENERS UNTIL THE LOWER BIFURCATION ALIGNMENT TOOL HAS BEEN INSTALLED AND SET.

WHEN DRILLING OUT RIVETS TO BE REMOVED, TAKE CARE NOT TO ENLARGE THE FASTENER HOLES. THE INSTALLATION PROCESS RELIES ON THE FASTENER PATTERN BEING ACCURATE.

- (3) Remove exhaust door assembly (660, IPL Fig. 7) by removing bolts (652A, 654A, 752, IPL Fig. 7), washer (656, IPL Fig. 7), nut (658, IPL Fig. 7), and retainer (760, IPL Fig. 7).
- (4) Remove drain assembly (1, IPL Fig. 11) by removing fasteners (5, 10, IPL Fig. 11), washer (15, IPL Fig. 11) and nut (20, IPL Fig. 11).
- (5) Put the lower RH bifurcation alignment tool A78023-2 in position on the track support beam fitting assembly (728, IPL Fig. 7) and on the compression pad (788, IPL Fig. 1) at nacelle stations 148 and 158 as shown in Repair 6-1, Fig. 604.

**CAUTION:** DO NOT MODIFY THE ALIGNMENT TOOL SETTINGS UNTIL AFTER THE NEW TRACK SUPPORT BEAM FITTING ASSEMBLY HAS BEEN INSTALLED.

- (6) Remove skin (775, IPL Fig. 7) by removing rivet (750, IPL Fig. 7).
- (7) Remove angles (855, 865, 885, and 895, IPL Fig. 7), intercostals (875, 915, IPL Fig. 7), spacer (780, IPL Fig. 7), rubstrip (815, IPL Fig. 7), rib (825, IPL Fig. 7), by removing fasteners (800, 830, 835, 840, IPL Fig. 7) and collars (845, IPL Fig. 7).

71-11-56

REPAIR 6-1

01.1

Page 604

Nov 01/00

- (8) Remove fairing (225, IPL Fig. 7) by removing fasteners (160, 165, 167, 170, 190, 195, 200, 205, 210, 215, IPL Fig. 7) and collar (185, IPL Fig. 7).
- (9) Remove angles (235, 245, 255, 275, IPL Fig. 7), and support (265, IPL Fig. 7) by removing fasteners (175, 180, IPL Fig. 7), and collars (185, 187, IPL Fig. 7).
- (10) Remove fasteners (10, 15, 20, 35, 45, 50, 60, 70, 75, 80, 85, 105, IPL Fig. 7) and collars (40, 100, IPL Fig. 7) attaching wall panel assembly (742A, IPL Fig. 7) to track support beam fitting assembly (728, IPL Fig. 7).
- (11) Remove fillet fairing (770, IPL Fig. 1) by removing rivet (709, IPL Fig. 1), bolts (710, 712, 714, 715, IPL Fig. 1), collars (716, IPL Fig. 1), pin (718B, IPL Fig. 1), sleeve (720A, IPL Fig. 1), collar (722A, IPL Fig. 1), blind rivets (698, 700, IPL Fig. 1), rivets (702, 704, IPL Fig. 1).
- (12) Remove attach angle (65, IPL Fig. 16) by removing rivet (707, IPL Fig. 1), pins (717, 729A, 729B, 900, IPL Fig. 1), sleeves (721, 739, 903, IPL Fig. 1), collars (723, 739A, 906, IPL Fig. 1), bolts (724, 725, 726, 728, 730, 732, 736, IPL Fig. 1), collars (734, 738, IPL Fig. 1), rivet (704, IPL Fig. 1).
- (13) Compression pad (788, IPL Fig. 1) is now loose and can be removed.
- (14) Using wooden wedges, separate wall panel assembly (742A, IPL Fig. 7) from the inner wall assembly (544, IPL Fig. 1).
- (15) Using wooden wedges, separate wall panel assembly (742A, IPL Fig. 7) from track support beam fitting assembly (728, IPL Fig. 7).  
  
**NOTE:** If sealant prevents easy removal of wall panel assembly from track support beam fitting, use Porta-Power to slide parts free by applying light pressure to a temporarily attached angle on the wall panel.
- (16) Remove fasteners (395, 405, 430, 435, 440, 445, 455, 460, IPL Fig. 7) and collars (415, 420, IPL Fig. 7) from the torque box attach fitting assembly (570, IPL Fig. 7).
- (17) Remove fasteners (552, IPL Fig. 1), collar (554, IPL Fig. 1) and bolt (474, IPL Fig. 1) from the aft cascade support ring (798, IPL Fig. 1).
- (18) Remove track support beam fitting assembly (728, IPL Fig. 7).

- (19) Remove track liner (610, IPL Fig. 7) by removing screw (632, IPL Fig. 7), bolt (624, IPL Fig. 7), washer (626, IPL Fig. 7) and pin/retainers (628, 630, IPL Fig. 7).
  - (20) Remove the auxiliary track liner (738A, IPL Fig. 7) from track support beam fitting assembly (728, IPL Fig. 7).
  - (21) Remove aft fairing assembly (530, IPL Fig. 7) by removing rivets (532, IPL Fig. 7).
  - (22) Remove hook bolt (594, IPL Fig. 7), washers (596, 598, 600, 602, 604, IPL Fig. 7), bushing (732, IPL Fig. 7) and nut (606, IPL Fig. 7).
  - (23) Remove latch (608, IPL Fig. 7) and bushing (730, IPL Fig. 7).
  - (24) Remove latch assembly (514A, IPL Fig. 7) by removing bolt (542A, IPL Fig. 7), washers (544, 546, 548, 550, 552, IPL Fig. 7), bushing (572, IPL Fig. 7) and nut (544, IPL Fig. 7).
- C. Temporary Assembly of Lower Bifurcation Assembly LEFT HAND (1, IPL Fig. 7)
- (1) Install track liner (638, IPL Fig. 7) with screws (632, IPL Fig. 7), bolt (624, IPL Fig. 7), washer (626, IPL Fig. 7), pins/retainer (628, 630, IPL Fig. 7).
  - (2) Install shear pins (295, IPL Fig. 7), washers (300, 305, 310, IPL Fig. 7) and nut (315, IPL Fig. 7).
  - (3) Install auxiliary track liner (736A, IPL Fig. 7) in track support beam fitting assembly (720, IPL Fig. 7).
- CAUTION:** DO NOT ALLOW SELF-LEVELING COMPOUND TO BLOCK 0.375-INCH DIAMETER DRAIN HOLES.
- (4) If new track support beam fitting assembly (720, IPL Fig. 7) does not have sealant or leveling compound, apply sealant and leveling compound as shown in Fig. 605.
  - (5) Fabricate templates to transfer wall panel assembly (740A, IPL Fig. 7) fastener holes from the old track support beam fitting assembly (720, IPL Fig. 7) to the new track support beam fitting assembly.
  - (6) Fabricate a template to use as a form to contain self-leveling compound applied to the forward end of the track support beam fitting assembly (720, IPL Fig. 7). See flagnote 4 in Fig. 605.

71-11-56

REPAIR 6-1

01.1

Page 606

Nov 01/00

- (7) Fabricate drill bushings to be installed into torque box attach fitting assembly (516, IPL Fig. 7) fastener holes.

**NOTE:** Drill bushings should have a 0.125-inch diameter pilot hole drilled in the center. Bushings will be removed after back-drilling is complete.

- (8) Drill and deburr pilot holes through track support beam fitting assembly (720, IPL Fig. 7) where torque box attach fitting assembly (516, IPL Fig. 7) fastens.

**NOTE:** This may best be accomplished using a 90-degree drill motor and a short 0.125-inch diameter drill bit.

- (9) Place the track support beam fitting assembly (720, IPL Fig. 7) into fan duct cowl assembly (1D, IPL Fig. 1) aligning holes in the track support beam fitting assembly with torque box attach fitting assembly (516, IPL Fig. 7).

- (10) Temporarily install wall panel assembly (740A, IPL Fig. 7) into track support beam fitting assembly (720, IPL Fig. 7) and fan duct cowl assembly (1D, IPL Fig. 1).

- (11) Temporarily install compression pad (788, IPL Fig. 1).

- (12) Put the lower LH bifurcation alignment tool A78023-3 in position on the track support beam fitting assembly (720, IPL Fig. 7) and on the compression pad (788, IPL Fig. 1) at nacelle stations 148 and 158 as shown in Repair 6-1, Fig. 604.

- (13) Back-drill pilot holes through wall panel assembly (740A, IPL Fig. 7) and track support beam fitting assembly (720, IPL Fig. 7).

**NOTE:** Use a steel drill guide to protect fastener holes in wall panel assembly (740A, IPL Fig. 7).

When drilling some of the pilot holes, use the drill templates previously fabricated.

- (14) Drill 0.156-inch diameter fastener holes through both sides of the track support beam fitting assembly (720, IPL Fig. 7), and torque box attach fitting assembly (516, IPL Fig. 7) and install cleco's six locations.

**NOTE:** Do not drill completely through bushings, this will leave a shoulder in the bushing so it may be punched out later.

- (15) Using a punch, remove and discard all of the bushings except for those common to the six cleco's.



- (16) Drill and ream open fastener holes full size through track support beam fitting assembly (720, IPL Fig. 7) and torque box attach fitting assembly (516, IPL Fig. 7) and install cleco's.
  - (17) Remove six cleco's, punch out bushings, and drill and ream fastener holes full size.
  - (18) Drill full size fastener holes through the track support beam fitting assembly (720, IPL Fig. 7) and the aft cascade support ring (796, IPL Fig. 1).
  - (19) Remove the lower LH bifurcation alignment tool A78023-3, the wall panel assembly (740A, IPL Fig. 7) and the track support beam fitting assembly (720, IPL Fig. 7) from the fan duct cowl assembly (1D, IPL Fig. 1).
  - (20) Drill full size fastener holes through track support beam fitting assembly (720 IPL Fig. 7) where wall panel assembly (740A, IPL Fig. 7) attaches.
  - (21) Deburr all fastener holes.
- D. Final Assembly of Lower Bifurcation Assembly LEFT HAND (1, IPL Fig. 7)
- (1) Apply BMS 5-63 sealant per BAC5000 to original locations on track support beam fitting assembly (720, IPL Fig. 7) and wall panel assembly (740A, IPL Fig. 7).
  - (2) Reinstall the track support beam fitting assembly (720, IPL Fig. 7), wall panel assembly (740A, IPL Fig. 7) and compression pad (788, IPL Fig. 1) to fan duct cowl assembly (1D, IPL Fig. 1).
  - (3) Put the lower LH bifurcation alignment tool A78023-3 in position on the track support beam fitting assembly (720, IPL Fig. 7) and on the compression pad (788, IPL Fig. 1) at nacelle stations 148 and 158 as shown in Repair 6-1, Fig. 604.
  - (4) Install permanent fasteners (395, 405, 430, 435, 440, 445, 455, 460, 465, IPL Fig. 7) and collars (415, 420, IPL Fig. 7) through torque box attach fitting assembly (516, IPL Fig. 7) and track support beam fitting assembly (720, IPL Fig. 7).
  - (5) Install permanent fasteners (10, 15, 20, 35, 45, 50, 60, 70, 75, 80, 85, 105, IPL Fig. 7) through wall panel assembly (740A, IPL Fig. 7) and track support beam fitting assembly (720, IPL Fig. 7).

**71-11-56**

REPAIR 6-1

01.1

Page 608

Nov 01/00

- (6) Locate and install attach angle (60, IPL Fig. 16) in addition to compression pad (788, IPL Fig. 1) by installing rivet (707, IPL Fig. 1), pins (717, 729A, 729B, 900, IPL Fig. 1), sleeves (721, 739, 903, IPL Fig. 1), collars (723, 739A, 906, IPL Fig. 1), bolts (724, 725, 726, 728, 730, 732, 736, IPL Fig. 1), collars (734, 738, IPL Fig. 1), and rivet (704, IPL Fig. 1).
  - (7) Install fillet fairing (768, IPL Fig. 1) by installing rivet (709, IPL Fig. 1), bolts (710, 712, 714, 715, 727, IPL Fig. 1), collars (716, IPL Fig. 1), pin (718B, IPL Fig. 1), sleeve (720A, IPL Fig. 1), collar (722A, IPL Fig. 1), blind rivets (698, 700, IPL Fig. 1), and rivets (702, 704, IPL Fig. 1).
  - (8) Remove the lower LH bifurcation alignment tool A78023-3.
  - (9) Locate, drill, and deburr angles (230, 240, 250, 270, IPL Fig. 7) and support (260, IPL Fig. 7) to the track support beam fitting assembly (720, IPL Fig. 7).
  - (10) Install permanent fasteners (175, 180, IPL Fig. 7) and collars (185, 187, IPL Fig. 7) through angles (230, 240, 250, 270, IPL Fig. 7), support (260, IPL Fig. 7) and track support beam fitting assembly (720, IPL Fig. 7).
  - (11) Locate, drill, and deburr fairing (220, IPL Fig. 7) to track support beam fitting assembly (720, IPL Fig. 7).
  - (12) Apply BMS 5-63 sealant to fairing (220, IPL Fig. 7) per BAC5000.
  - (13) Permanently fasten fairing (220, IPL Fig. 7) to track support beam fitting assembly (720, IPL Fig. 7) using fasteners (160, 165, 167, 170, 190, 195, 200, 205, 210, 215, IPL Fig. 7) and collar (185, IPL Fig. 7).
  - (14) Permanently install fasteners (552, IPL Fig. 1), collar (554, IPL Fig. 7) and nut (474, IPL Fig. 7) through aft cascade support ring (873, IPL Fig. 1) and track support beam fitting assembly (720, IPL Fig. 7).
- NOTE:** Fasteners should be installed wet using BMS 5-45 per BAC5000.
- (15) Install latch keepers (485, 495, IPL Fig. 7) using fasteners (330, IPL Fig. 7), collar (345, IPL Fig. 7) and rivets (375, 490, 500, IPL Fig. 7).
  - (16) Locate, drill, and deburr angles (850, 860, 880, 890, IPL Fig. 7), intercostals (870, 910, IPL Fig. 7), rib (820, IPL Fig. 7), spacer (780, IPL Fig. 7), and rubstrip (810, IPL Fig. 7).

- (17) Install permanent fasteners (830, 835, 840, 800, IPL Fig. 7) and collar (845, IPL Fig. 7) through angles (850, 860, 880, 890, IPL Fig. 7), intercostals (870, 940, IPL Fig. 7), rib (\_\_\_, IPL Fig. 7), spacer (\_\_\_, IPL Fig. 7) and rubstrip (810, IPL Fig. 7).
- (18) Install skin (770, IPL Fig. 7) using rivet (750, IPL Fig. 7).

E. Temporary Assembly of Lower Bifurcation Assembly RIGHT HAND (5, IPL Fig. 7)

- (1) Install track liner (640, IPL Fig. 7) with screws (632, IPL Fig. 7), bolt (624, IPL Fig. 7), washer (626, IPL Fig. 7), pins/retainer (628, 630, IPL Fig. 7).
- (2) Install auxiliary track liner (738A, IPL Fig. 7) in track support beam fitting assembly (728, IPL Fig. 7).

**CAUTION:** DO NOT ALLOW SELF-LEVELING COMPOUND TO BLOCK 0.375-INCH DIAMETER DRAIN HOLES.

- (3) If new track support beam fitting assembly (728, IPL Fig. 7) does not have sealant or leveling compound, apply sealant and leveling compound as shown in Fig. 605.
- (4) Fabricate templates to transfer wall panel assembly (742A, IPL Fig. 7) fastener holes from the old track support beam fitting assembly (728, IPL Fig. 7) to the new track support beam fitting assembly.
- (5) Fabricate a template to use as a form to contain self-leveling compound applied to the forward end of the track support beam fitting assembly (728, IPL Fig. 7). See flagnote 4 in Fig. 605.
- (6) Fabricate drill bushings to be installed into torque box attach fitting assembly (570, IPL Fig. 7) fastener holes.

**NOTE:** Drill bushings should have a 0.125-inch diameter pilot hole drilled in the center. Bushings will be removed after back-drilling is complete.

- (7) Drill and deburr pilot holes through track support beam fitting assembly (728, IPL Fig. 7) where torque box attach fitting assembly (570, IPL Fig. 7) fastens.

**NOTE:** This may best be accomplished using a 90-degree drill motor and a short 0.125-inch diameter drill bit.

**71-11-56**

REPAIR 6-1

01.1

Page 610

Nov 01/00

- (8) Place the track support beam fitting assembly (728, IPL Fig. 7) into fan duct cowl assembly (5D, IPL Fig. 1) aligning holes in the track support beam fitting assembly with torque box attach fitting assembly (570, IPL Fig. 7).
- (9) Temporarily install wall panel assembly (742A, IPL Fig. 7) into track support beam fitting assembly (728, IPL Fig. 7) and fan duct cowl assembly (5D, IPL Fig. 1).
- (10) Temporarily install compression pads (788, IPL Fig. 1).
- (11) Put the lower RH bifurcation alignment tool A78023-2 in position on the track support beam fitting assembly (728, IPL Fig. 7) and on the compression pad (788, IPL Fig. 1) at nacelle stations 148 and 158 as shown in Repair 6-1, Fig. 604.
- (12) Back-drill pilot holes through wall panel assembly (742A, IPL Fig. 7) and track support beam fitting assembly (728, IPL Fig. 7).  
  
**NOTE:** Use a steel drill guide to protect fastener holes in wall panel assembly (742A, IPL Fig. 7).  
  
When drilling some of the pilot holes, use the drill templates previously fabricated.
- (13) Drill 0.156-inch diameter fastener holes through both sides of the track support beam fitting assembly (728, IPL Fig. 7), and torque box attach fitting assembly (570, IPL Fig. 7) and install cleco's six locations.  
  
**NOTE:** Do not drill completely through bushings, this will leave a shoulder in the bushing so it may be punched out later.
- (14) Using a punch, remove and discard all of the bushings except for those common to the six cleco's.
- (15) Drill and ream open fastener holes full size through track support beam fitting assembly (728, IPL Fig. 7) and torque box attach fitting assembly (570, IPL Fig. 7) and install cleco's.
- (16) Remove six cleco's, punch out bushings, and drill and ream fastener holes full size.
- (17) Drill full size fastener holes through the track support beam fitting assembly (728, IPL Fig. 7) and the aft cascade support ring (798, IPL Fig. 1).
- (18) Remove the lower RH bifurcation alignment tool A78023-2 the wall panel assembly (742A, IPL Fig. 7) and the track support beam fitting assembly (728, IPL Fig. 7) from the fan duct cowl assembly (5D, IPL Fig. 1).

71-11-56

REPAIR 6-1

01.1

Page 611

Nov 01/00

(19) Drill full size fastener holes through track support beam fitting assembly (728 IPL Fig. 7) where wall panel assembly (742A, IPL Fig. 7) attaches.

(20) Deburr all fastener holes.

F. Final Assembly of Lower Bifurcation Assembly RIGHT HAND (5, IPL Fig. 7)

(1) Apply BMS 5-63 sealant per BAC5000 to original locations on track support beam fitting assembly (728, IPL Fig. 7) and wall panel assembly (742A, IPL Fig. 7).

(2) Reinstall the track support beam fitting assembly (728, IPL Fig. 7), wall panel assembly (742A, IPL Fig. 7) and compression pads (786, 788, IPL Fig. 1) to fan duct cowl assembly (5D, IPL Fig. 1).

(3) Put the lower RH bifurcation alignment tool A78023-2 in position on the track support beam fitting assembly (728, IPL Fig. 7) and on the compression pad (788, IPL Fig. 1) at nacelle stations 148 and 158 as shown in Repair 6-1, Fig. 604.

(4) Install permanent fasteners (395, 405, 430, 435, 440, 445, 455, 460, 465, IPL Fig. 7) and collars (415, 420, IPL Fig. 7) through torque box attach fitting assembly (570, IPL Fig. 7) and track support beam fitting assembly (728, IPL Fig. 7).

(5) Install permanent fasteners (10, 15, 20, 35, 45, 50, 60, 70, 75, 80, 85, 105, IPL Fig. 7) through wall panel assembly (742A, IPL Fig. 7) and track support beam fitting assembly (728, IPL Fig. 7).

(6) Locate and install attach angle (778, IPL Fig. 1) and attach angle (806, IPL Fig. 7) in addition to compression pad (788, IPL Fig. 1) by installing rivet (707, IPL Fig. 1), pins (717, 739, 739G, 900, 909, IPL Fig. 1), sleeves (721, 739, 903, IPL Fig. 1), collars (723, 739A, 906, IPL Fig. 1), bolts (724, 725, 726, 728, 730, 732, 736, IPL Fig. 1), collars (734, 738, IPL Fig. 1), and rivet (704, IPL Fig. 1).

(7) Install fillet fairing (770, IPL Fig. 1) by installing rivet (709, IPL Fig. 1), bolts (710, 712, 714, 715, 714, IPL Fig. 1), collars (716, IPL Fig. 1), pin (718B, IPL Fig. 1), sleeve (741, IPL Fig. 1), collar (741A, IPL Fig. 1), blind rivets (698, 700, IPL Fig. 1), and rivets (702, 704, IPL Fig. 1).

(8) Remove the lower RH bifurcation alignment tool A78023-2.

(9) Locate, drill, and deburr angles (235, 245, 255, 275, IPL Fig. 7) and support (265, IPL Fig. 7) to the track support beam fitting assembly (728, IPL Fig. 7).

**71-11-56**

REPAIR 6-1

01.1

Page 612

Nov 01/00

- (10) Install permanent fasteners (175, 180, IPL Fig. 7) and collars (185, 187, IPL Fig. 7) through angles (235, 245, 255, 275, IPL Fig. 7), support (265, IPL Fig. 7) and track support beam fitting assembly (728, IPL Fig. 7).
- (11) Locate, drill, and deburr fairing (225, IPL Fig. 7) to track support beam fitting assembly (728, IPL Fig. 7).
- (12) Apply BMS 5-63 sealant to fairing (225, IPL Fig. 7) per BAC5000.
- (13) Permanently fasten fairing (225, IPL Fig. 7) to track support beam fitting assembly (728, IPL Fig. 7) using fasteners (160, 165, 167, 170, 190, 195, 200, 205, 210, 215, IPL Fig. 7) and collar (185, IPL Fig. 7).
- (14) Permanently install fasteners (552, 871, IPL Fig. 1), collar (554, IPL Fig. 1) and bolt (474, IPL Fig. 1) through aft cascade support ring (798, IPL Fig. 1) and track support beam fitting assembly (728, IPL Fig. 7).  
  
**NOTE:** Fasteners should be installed wet using BMS 5-45 per BAC5000.
- (15) Locate, drill, and deburr exhaust door assembly (660, IPL Fig. 7) to the track support beam fitting assembly (728, IPL Fig. 7).
- (16) Install permanent fasteners (652A, 654A, 755, IPL Fig. 7), washer (656, IPL Fig. 7), nut (658, IPL Fig. 7), and retainer (760, IPL Fig. 7) through the exhaust door assembly (660, IPL Fig. 7) and the track support beam fitting assembly (728, IPL Fig. 7).
- (17) Locate, drill, and deburr angles (855, 865, 885, 895, IPL Fig. 7), intercostals (875, 915, IPL Fig. 7), spacer (780, IPL Fig. 7), and rib (825, IPL Fig. 7).

- (18) Install permanent fasteners (800, 830, 835, 840, IPL Fig. 7) and collars (845, IPL Fig. 7) through angles (885, 865, 885, 895, IPL Fig. 7), intercostals (875, 915, IPL Fig. 7), spacer (780, IPL Fig. 7), and rib (825, IPL Fig. 7).
- (19) Install skin (775, IPL Fig. 7) using rivet (750, IPL Fig. 7).
- (20) Install hook bolts (594, IPL Fig. 7), washers (596, 598, 600, 602, 604, IPL Fig. 7), bushing (732, IPL Fig. 7) and nut (606, IPL Fig. 7).
- (21) Install latch 608, IPL Fig. 7) and bushing (730, IPL Fig. 7).
- (22) Locate and install drain assembly (1, IPL Fig. 11) using fasteners (5, 10, IPL Fig. 11), washer (15, IPL Fig. 11) and nut (20, IPL Fig. 11).

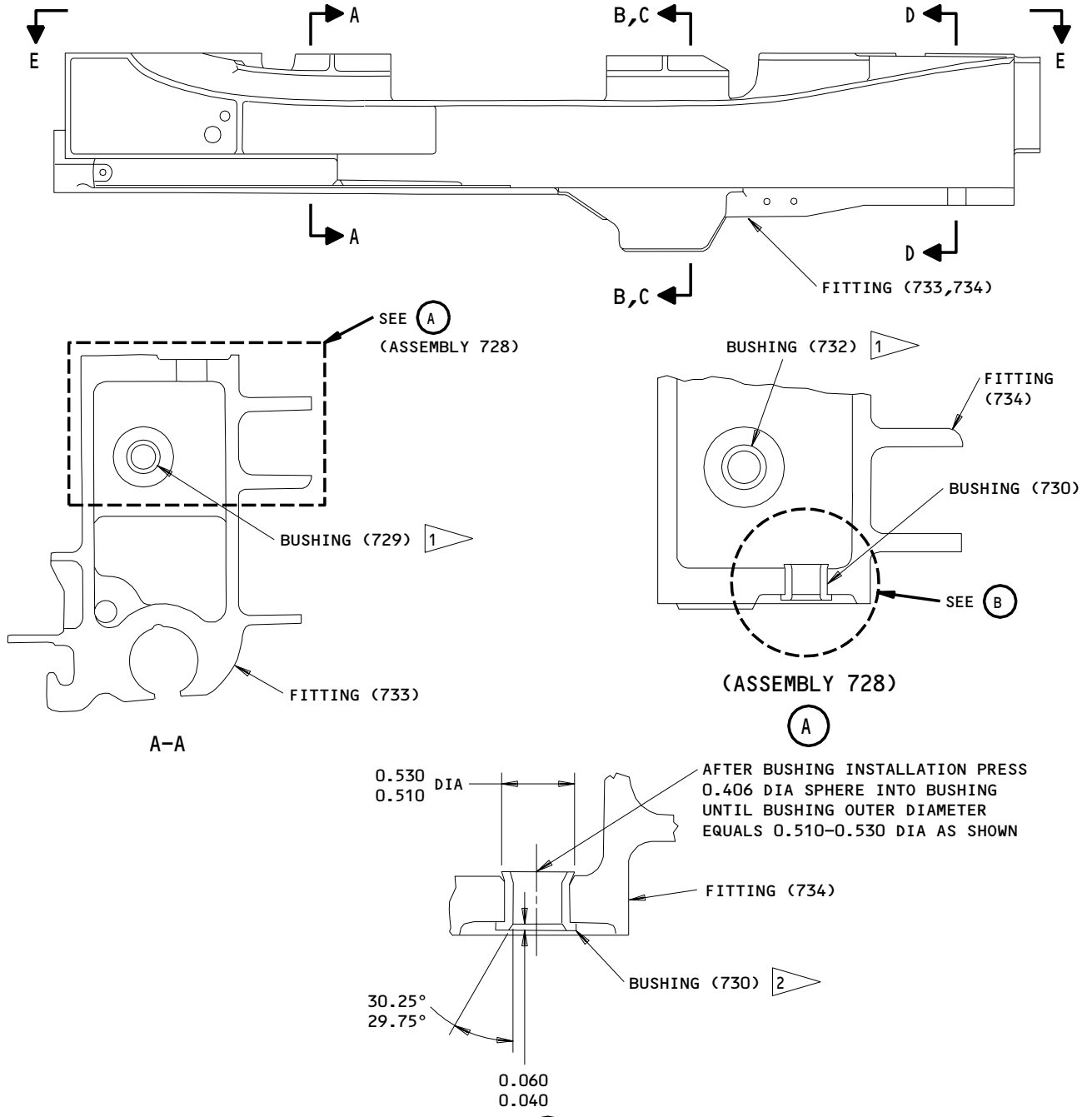
**71-11-56**

REPAIR 6-1

01.1

Page 614

Nov 01/00



- 1 BUSHING TO BE INSTALLED FLUSH TO 0.005 BELOW FLUSH WITH MACHINED SURFACE OPPOSITE SPOTFACE
- 2 FILLET SEAL FLANGE OF BUSHING WITH BMS 5-26

ITEM NUMBERS REFER TO IPL FIG. 7  
ALL DIMENSIONS ARE IN INCHES

315T4403-2,-7,-11,-12,-15,-16,-19,-20,-23,-24,-27,-28

Bushing Replacement  
Figure 601 (Sheet 1)

**71-11-56**

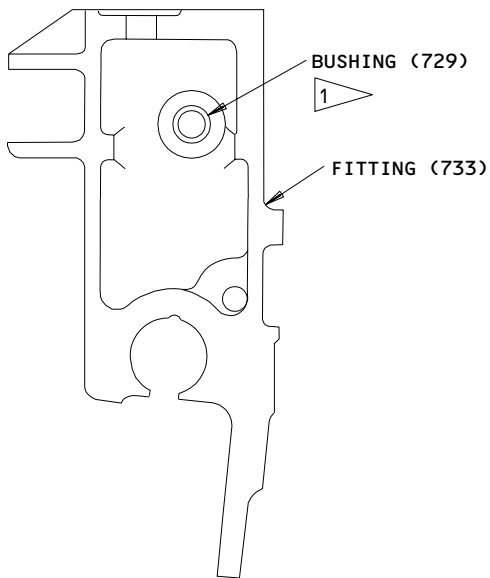
REPAIR 6-1

01.101

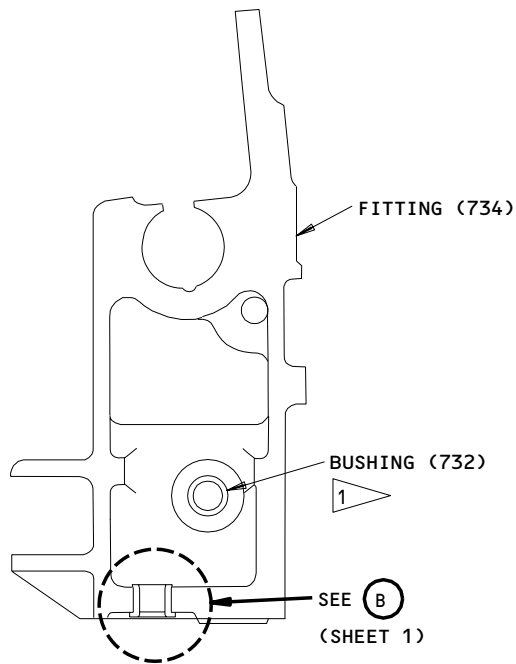
Page 615

Mar 01/97

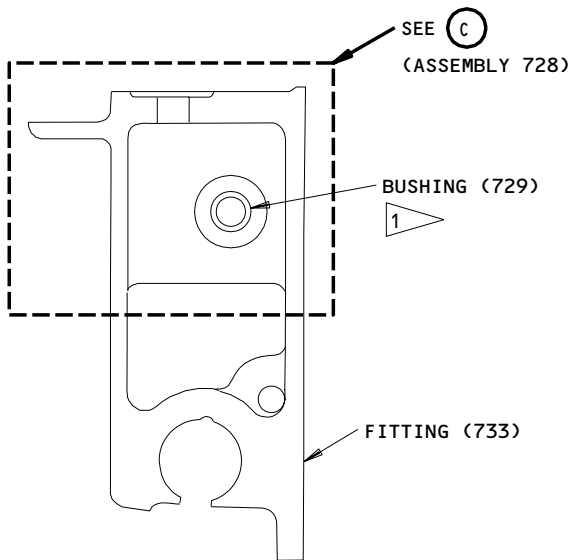




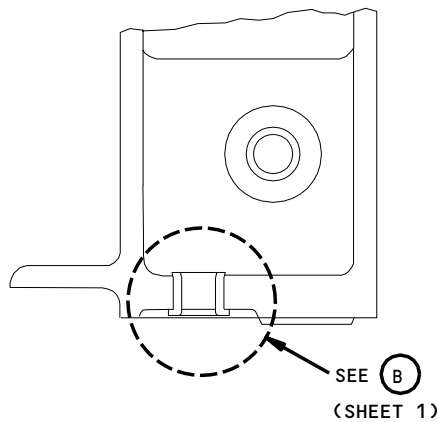
B-B



C-C



D-D



FITTING ASSEMBLY (728)

C

1 BUSHING TO BE INSTALLED FLUSH TO 0.005  
 BELOW FLUSH WITH MACHINED SURFACE  
 OPPOSITE SPOTFACE

ITEM NUMBERS REFER TO IPL FIG. 7  
 ALL DIMENSIONS ARE IN INCHES

315T4403-2,-7,-11,-12,-15,-16,-19,-20,-23,-24,-27,-28

Bushing Replacement  
 Figure 601 (Sheet 2)

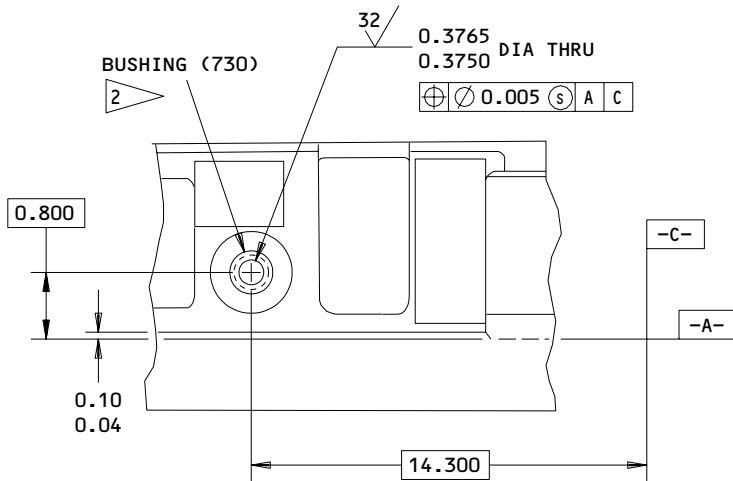
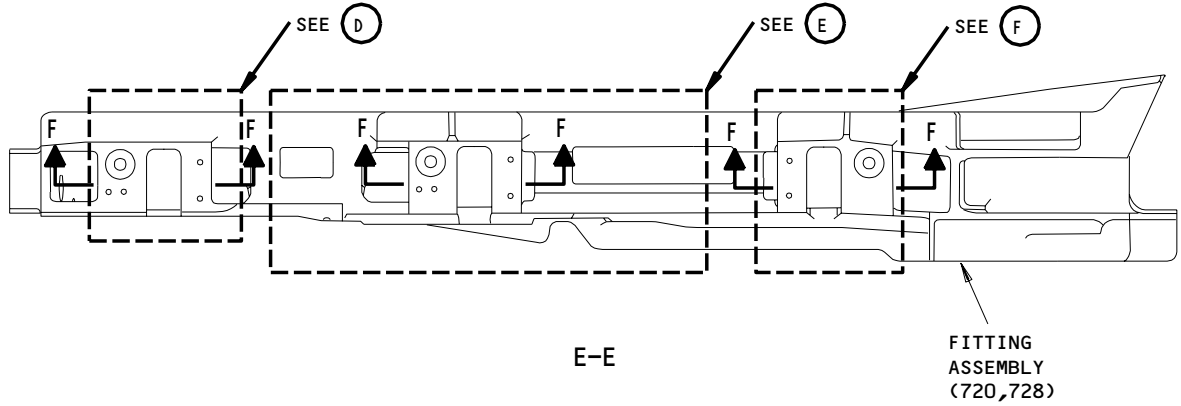
**71-11-56**

REPAIR 6-1

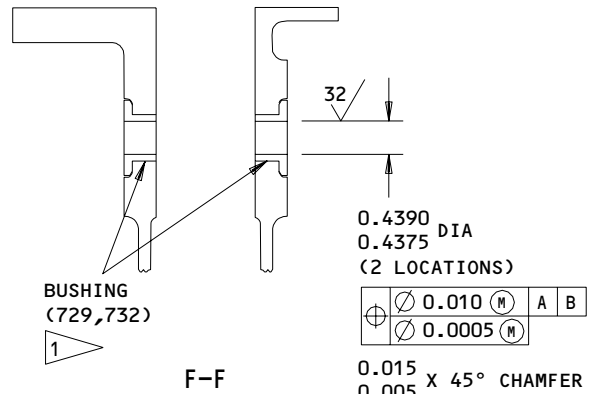
01.1

Page 616

Mar 01/04



(D)



- 1 BUSHING TO BE INSTALLED FLUSH TO 0.005 BELOW FLUSH WITH MACHINED SURFACE OPPOSITE SPOTFACE
- 2 FILLET SEAL FLANGE OF BUSHING WITH BMS 5-26 SEALANT

ITEM NUMBERS REFER TO IPL FIG. 7  
ALL DIMENSIONS ARE IN INCHES

Bushing Replacement  
Figure 601 (Sheet 3)

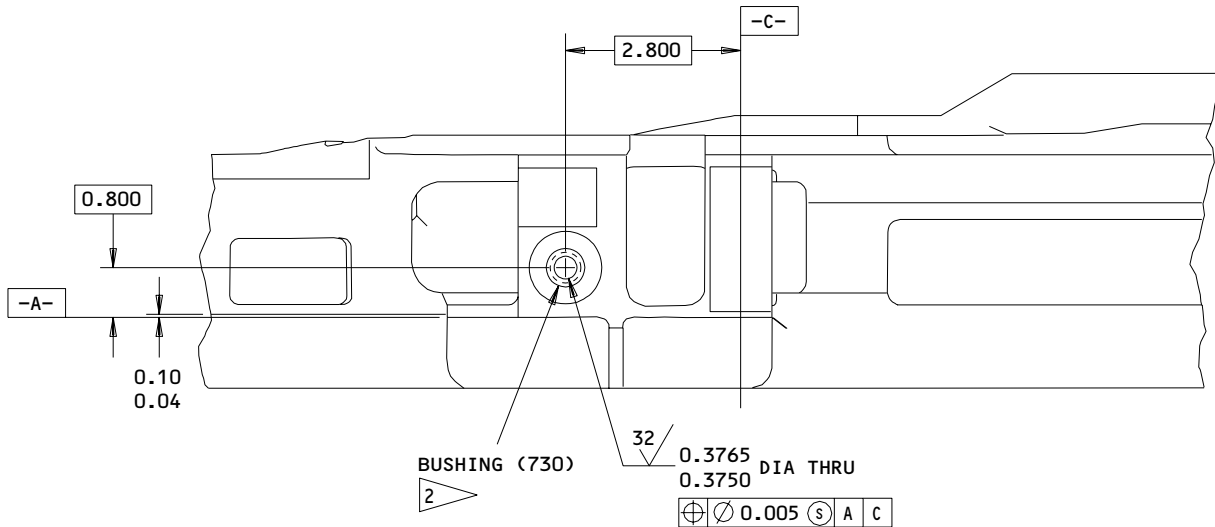
**71-11-56**

REPAIR 6-1

01.101

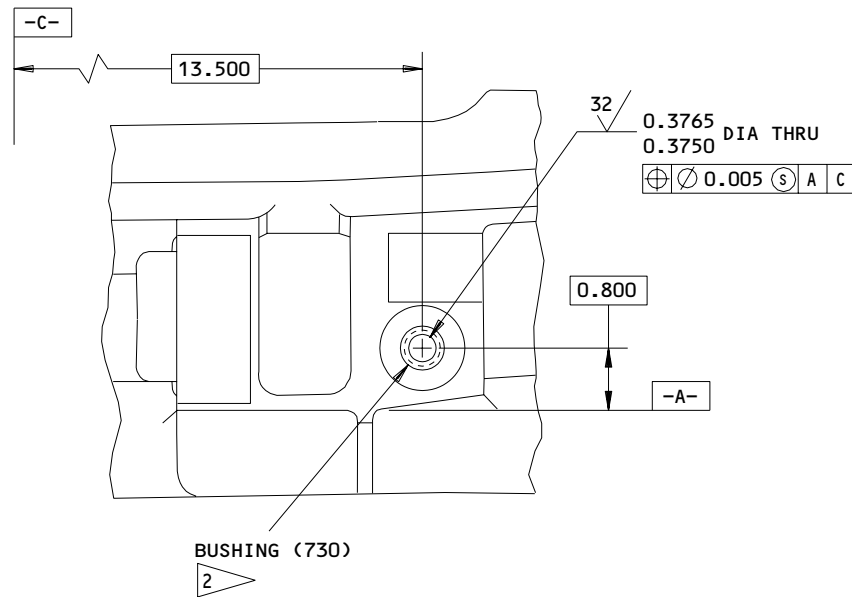
Page 617

Mar 01/97



FITTING ASSEMBLY (728)

(E)



FITTING ASSEMBLY (728)

(F)

- 1 BUSHING TO BE INSTALLED FLUSH TO 0.005 BELOW FLUSH WITH MACHINED SURFACE OPPOSITE SPOTFACE
- 2 FILLET SEAL FLANGE OF BUSHING WITH BMS 5-26 SEALANT

ITEM NUMBERS REFER TO IPL FIG. 7  
 ALL DIMENSIONS ARE IN INCHES

Bushing Replacement  
 Figure 601 (Sheet 4)

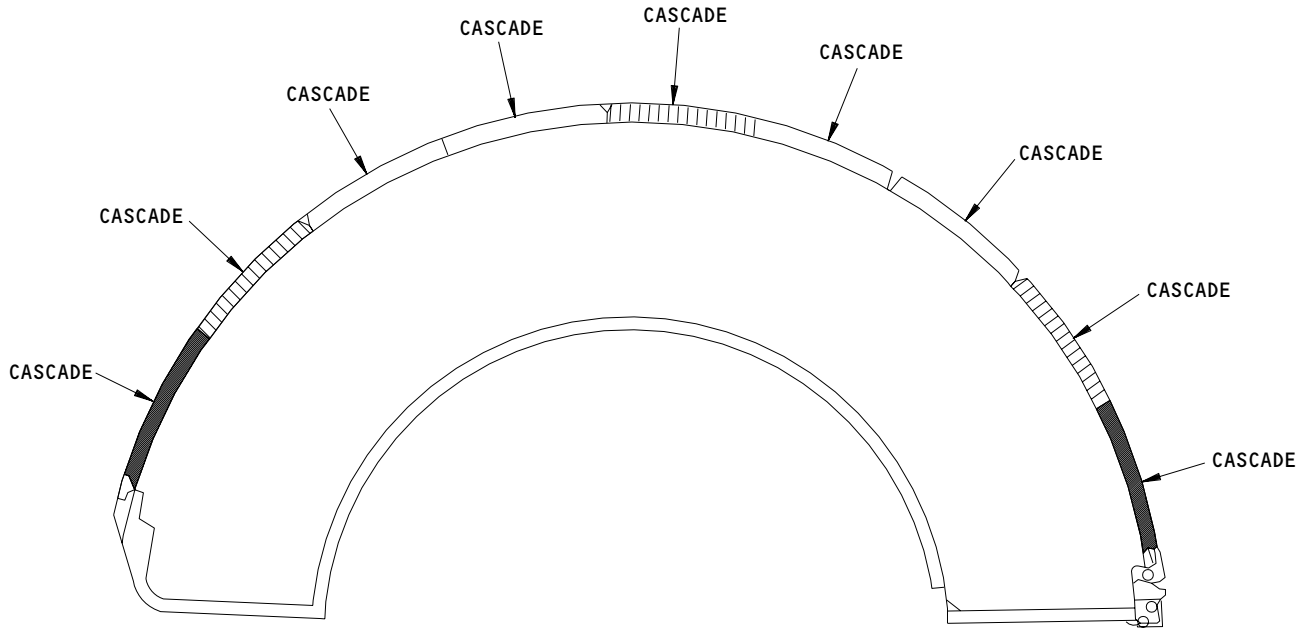
71-11-56



REPAIR 6-1

01.1

Page 618

Mar 01/04



 MINIMUM CASCADES REMOVAL REQUIRED PER PROCEDURES.  
 SUGGESTED REQUIRED CASCADES PER PROCEDURES.

Fan Duct Cowl Assembly  
Figure 602

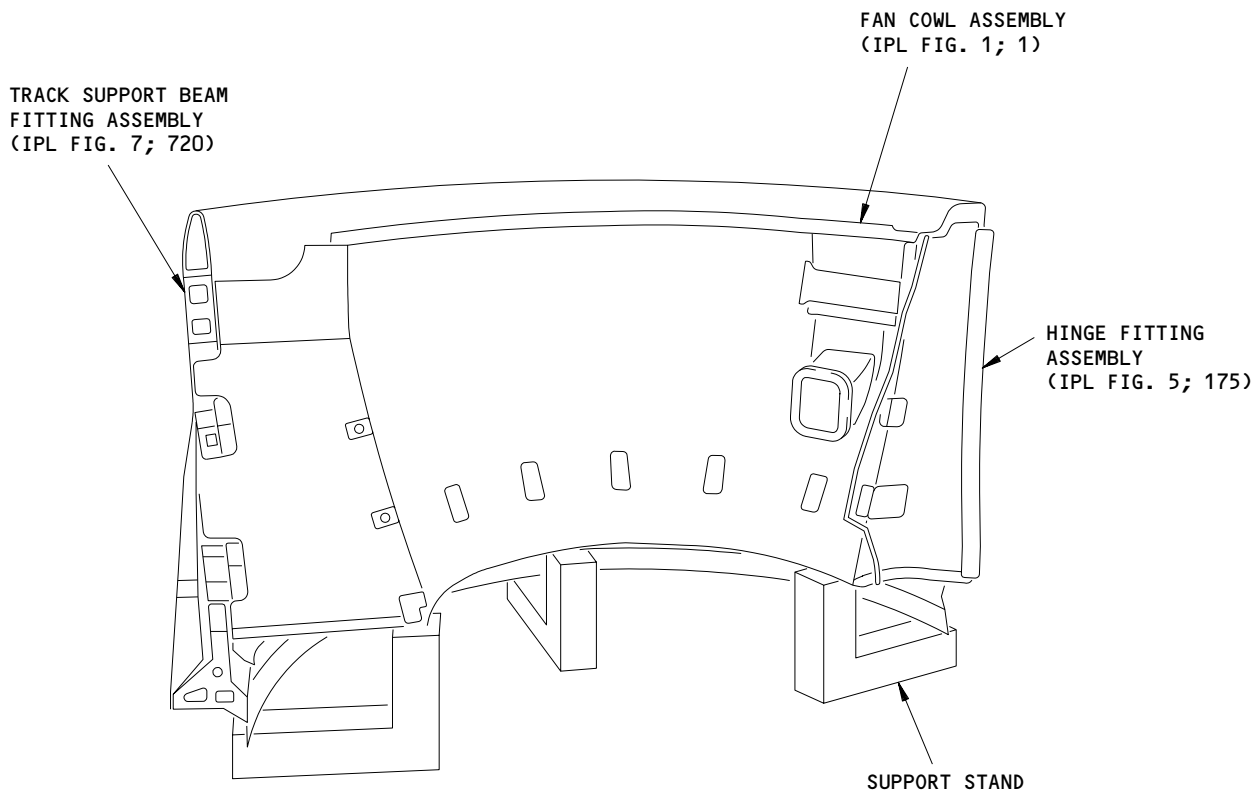
**71-11-56**

REPAIR 6-1

Page 619

Mar 01/97

01.1



ITEM NUMBERS REFER TO IPL FIG. 1  
UNLESS SHOWN DIFFERENTLY

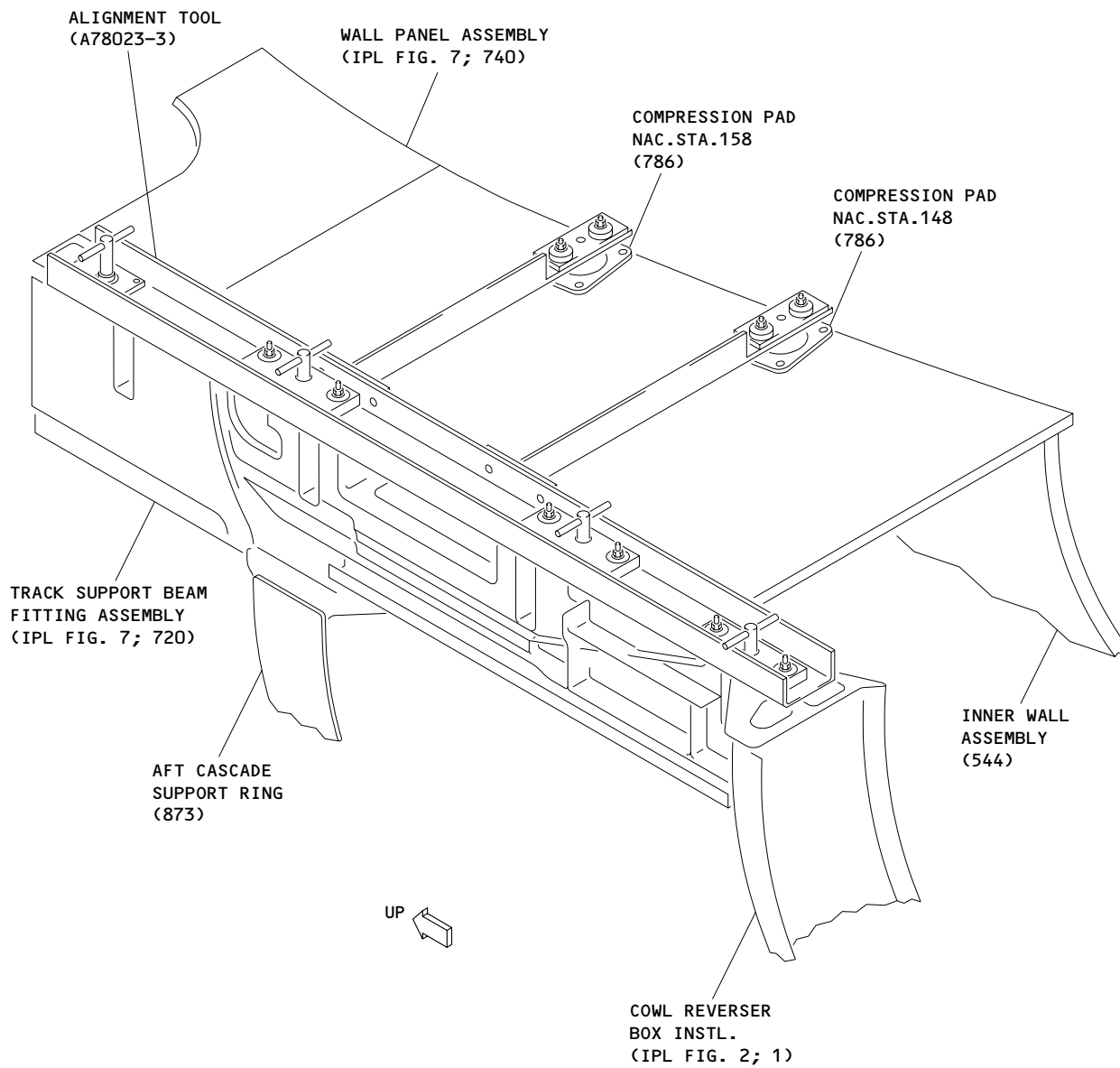
Fan Duct Cowl Assembly  
Figure 603

**71-11-56**

REPAIR 6-1

01.1 Page 620

Mar 01/97



ITEM NUMBERS REFER TO IPL FIG. 1  
UNLESS NOTED.

Alignment Tool  
Figure 604

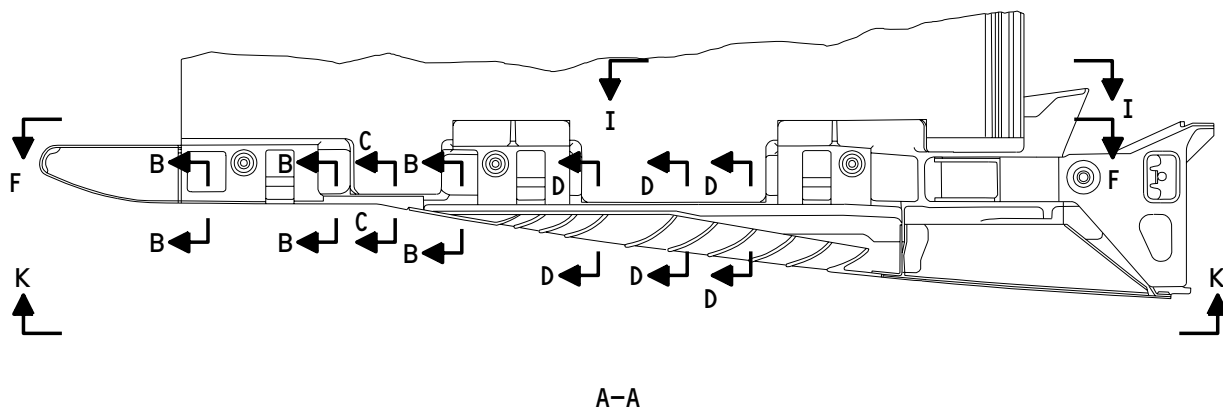
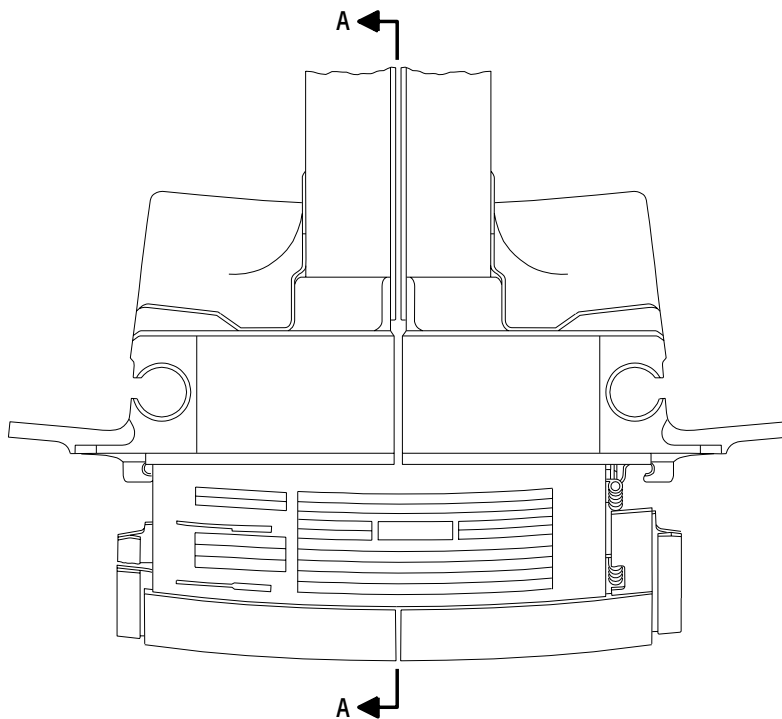
**71-11-56**

REPAIR 6-1

01.1

Page 621

Mar 01/97



Application of Sealant and Leveling Compound  
 Figure 605 (Sheet 1)

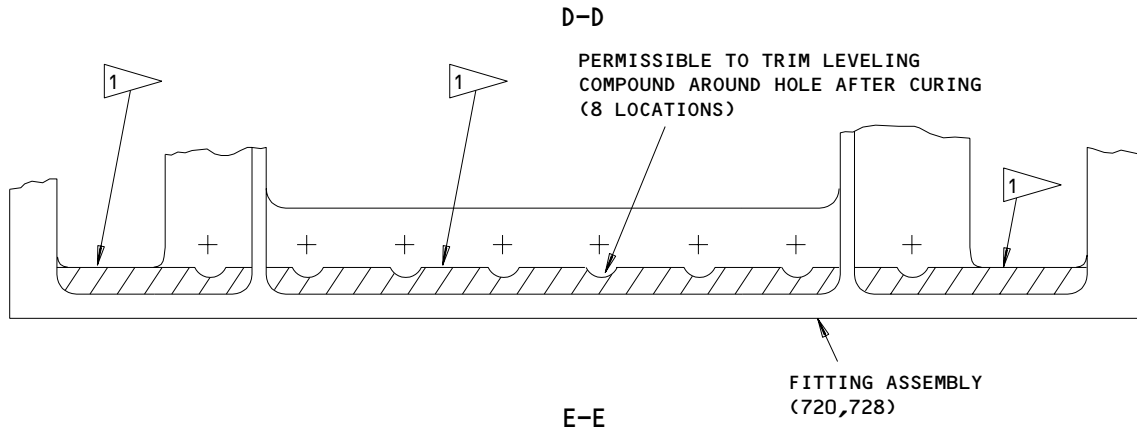
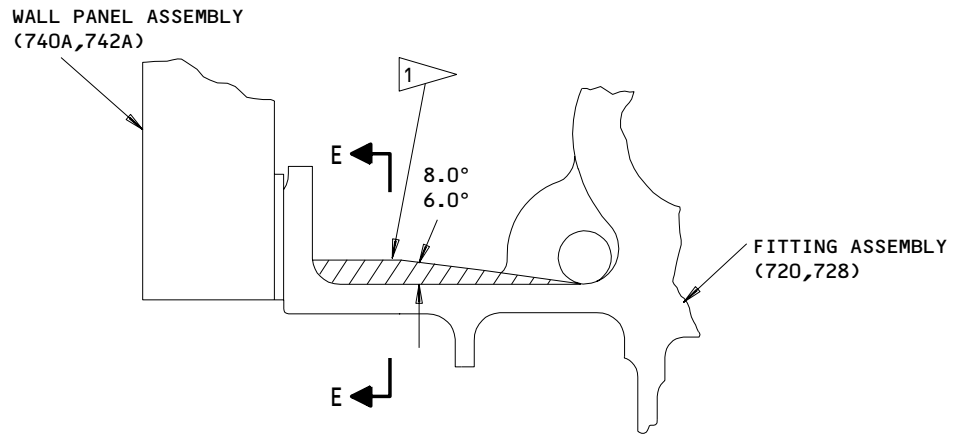
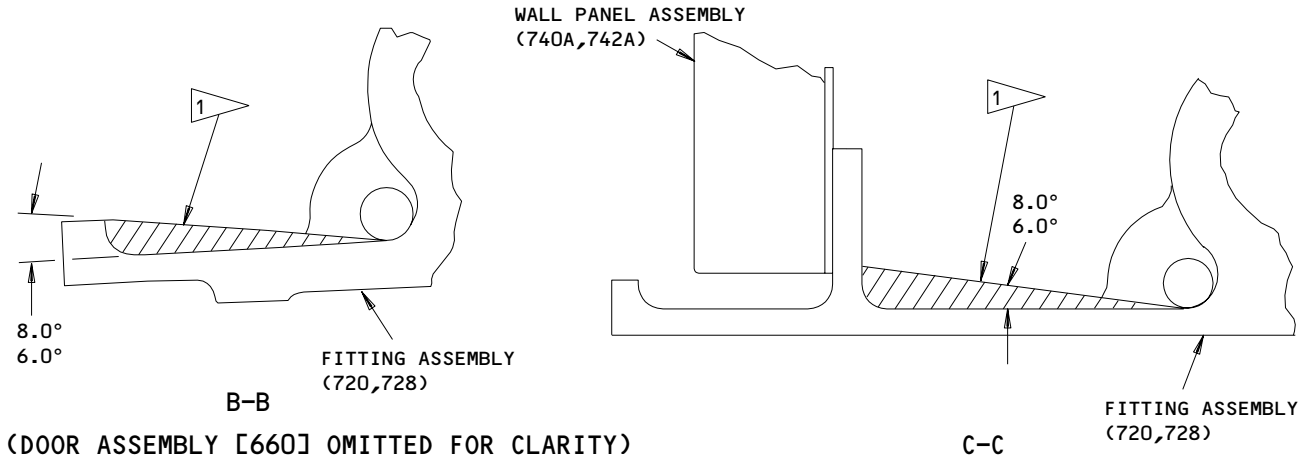
**71-11-56**

REPAIR 6-1

Page 622

Mar 01/97

01.1



Application of Sealant and Leveling Compound  
Figure 605 (Sheet 2)

**71-11-56**

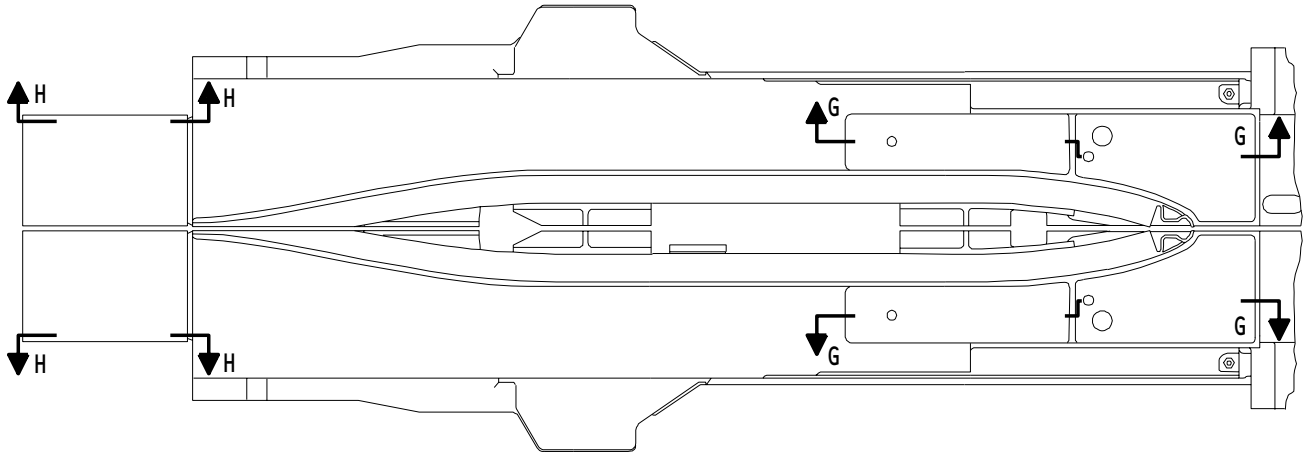
REPAIR 6-1

01.1

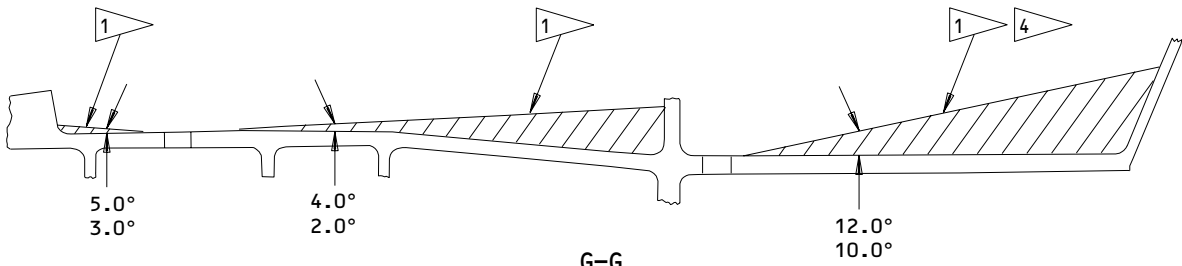
Page 623

Mar 01/97



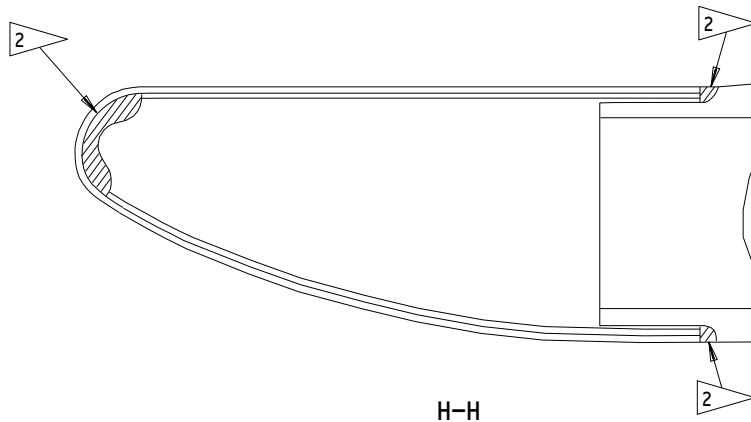


F-F



G-G

SHIM (502) AND ATTACH FITTING ASSEMBLY (516)  
 OMITTED FOR CLARITY



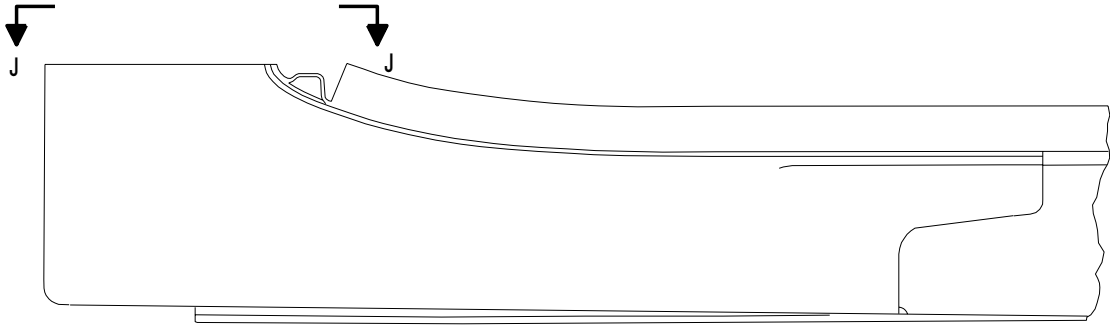
H-H

Application of Sealant and Leveling Compound  
 Figure 605 (Sheet 3)

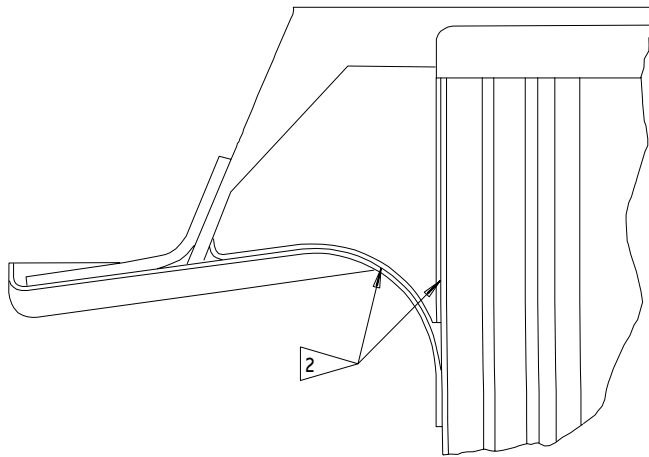
**71-11-56**

REPAIR 6-1  
 Page 624  
 Mar 01/97

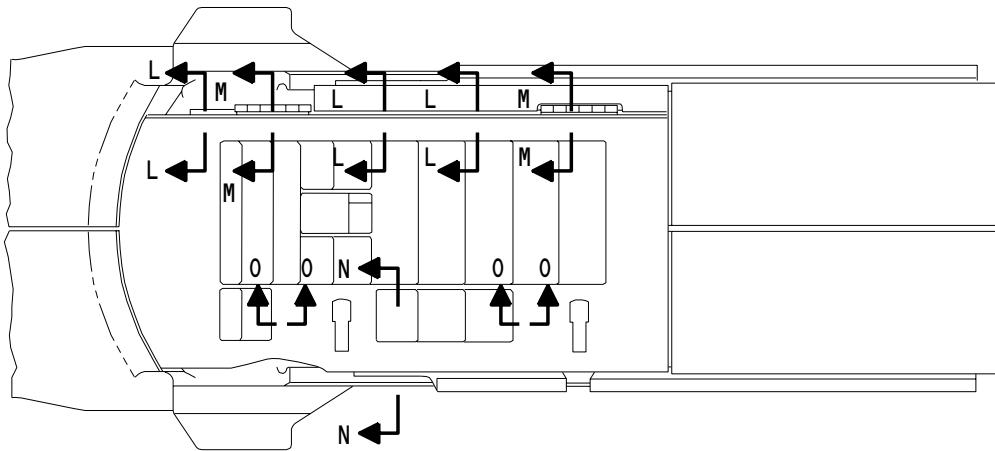
01.1



I-I  
(ROTATED 180°)



J-J



K-K

Application of Sealant and Leveling Compound  
Figure 605 (Sheet 4)

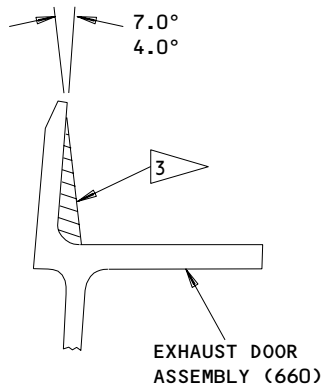
71-11-56

REPAIR 6-1

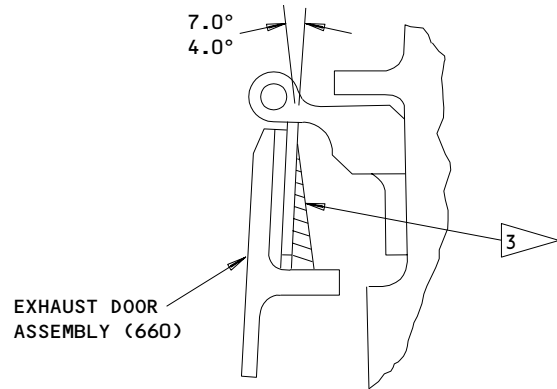
Page 625

Mar 01/97

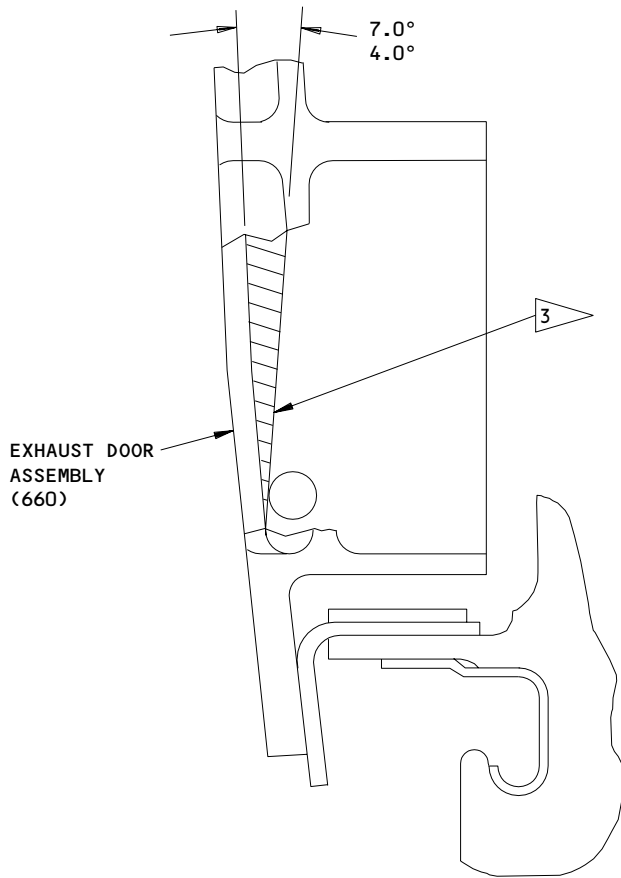
01.1



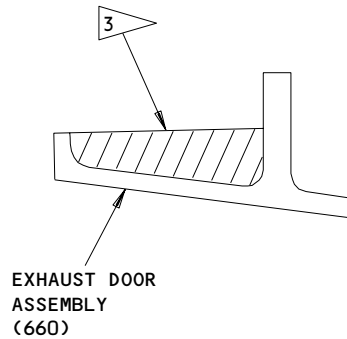
L-L



M-M



N-N



O-O

Application of Sealant and Leveling Compound  
 Figure 605 (Sheet 5)

**71-11-56**

REPAIR 6-1

Page 626

Mar 01/04

01.1

1 **CAUTION:** DO NOT ALLOW COMPOUND TO BLOCK  
0.375 DIA DRAIN HOLES.

ITEM NUMBERS REFER TO IPL FIG. 7

APPLY SELF-LEVELING COMPOUND NO. 48 TO  
SURFACE OF CAVITIES AS SHOWN.  
OPTIONAL - FILL USING RTV TOP COAT  
MATERIAL WITHOUT REINFORCEMENT

2 FILL GAP WITH BMS 5-79 (OPT BMS 5-95)  
SEALANT FLUSH WITH CONTOUR

3 FILL POCKET APPROXIMATELY AS SHOWN TO  
DRAIN TO HOLE OR LEVEL SURFACE WITH  
DRAIN PATH. FILL WITH BMS 5-63

4 APPLY SELF-LEVELING COMPOUND AFTER  
FASTENER INSTALLATION

Application of Sealant and Leveling Compound  
Figure 605 (Sheet 6)

**71-11-56**

REPAIR 6-1

Page 627

Mar 01/04

01.1

FITTING ASSEMBLY – REPAIR 7-1

315T3413-23, -27

NOTE: Refer to REPAIR-GEN for list of applicable standard practices.

1. Bushing (572, 572A, 582, 584, 586) Replacement (IPL Fig. 7)

- A. Remove bushings.
- B. Install bushings per 20-50-03.
- C. Machine bushings (572A, 582, 584, 586) per Fig. 601.

NOTE: Bushing (572) inside diameter is not required to be machined.

- D. Fillet seal entire periphery of flanges for bushings (582, 584, 586) using BMS 5-26 sealant.

2. Refinish

- A. Fittings (592) -- Chromic acid anodize, type 1 or sulfuric acid anodize, type 2 (F-17.05), and apply one coat BMS 10-11, type 1 primer per 20-41-02 (F-20.02). Omit primer from holes for bushings. Material: Aluminum alloy.

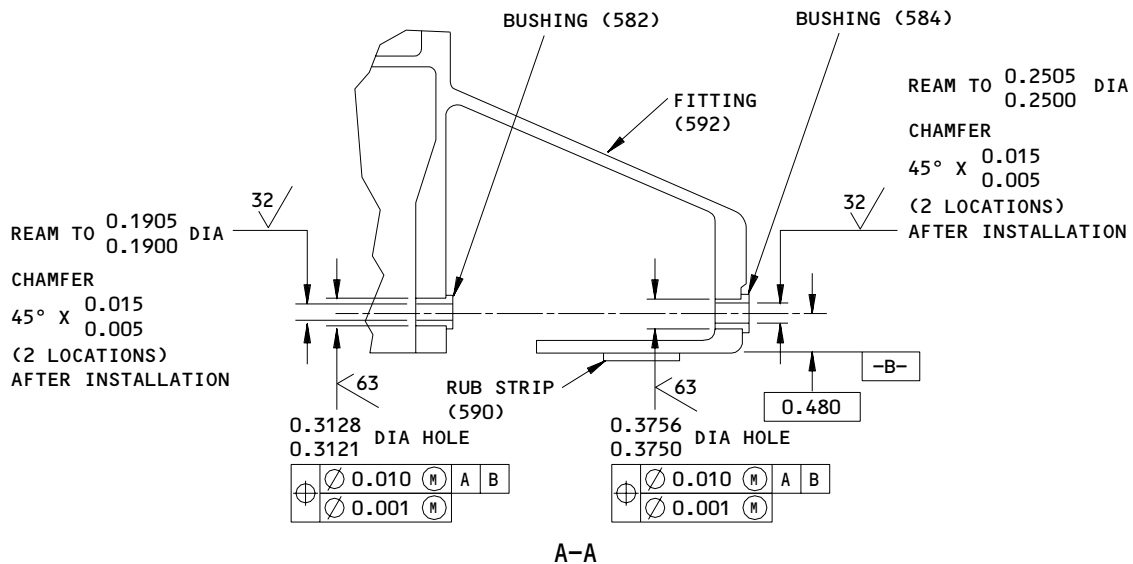
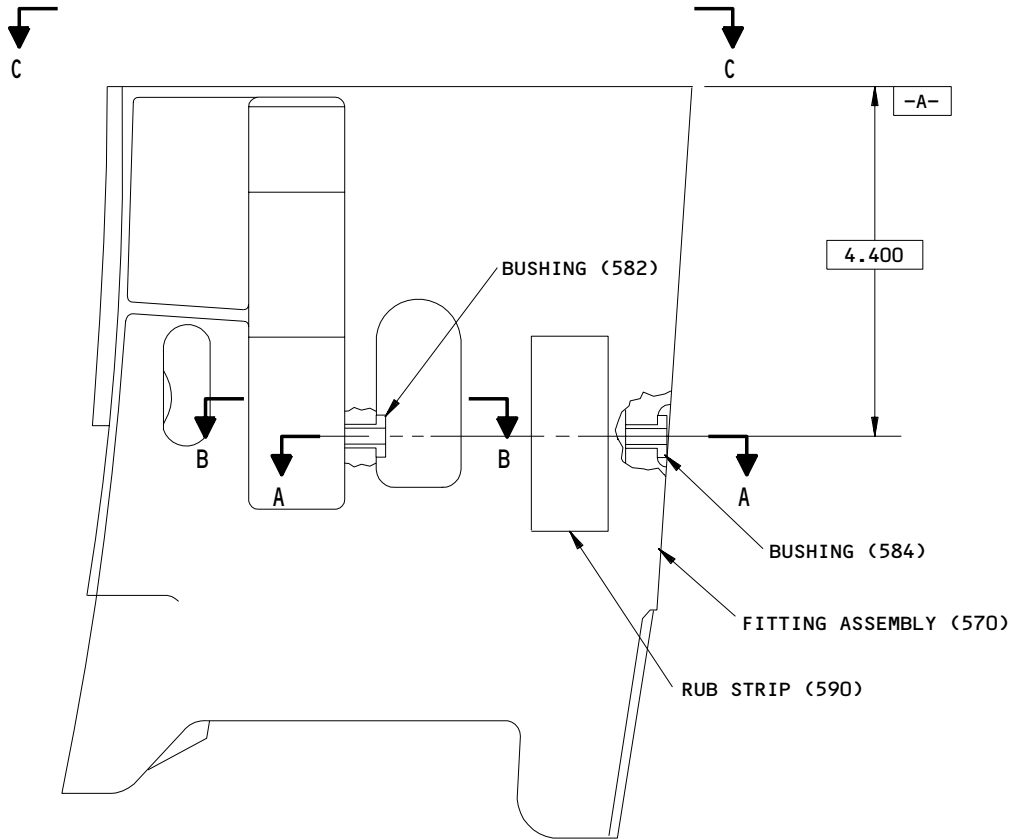
**71-11-56**

REPAIR 7-1

01.1

Page 601

Mar 01/04



315T3413-23,-27  
 Bushing Replacement  
 Figure 601 (Sheet 1)

**71-11-56**

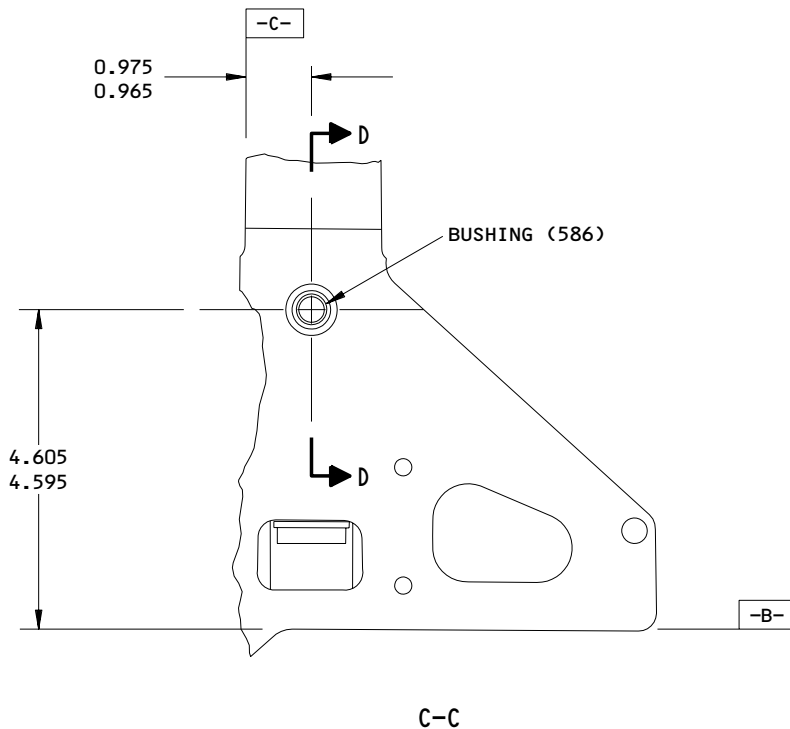
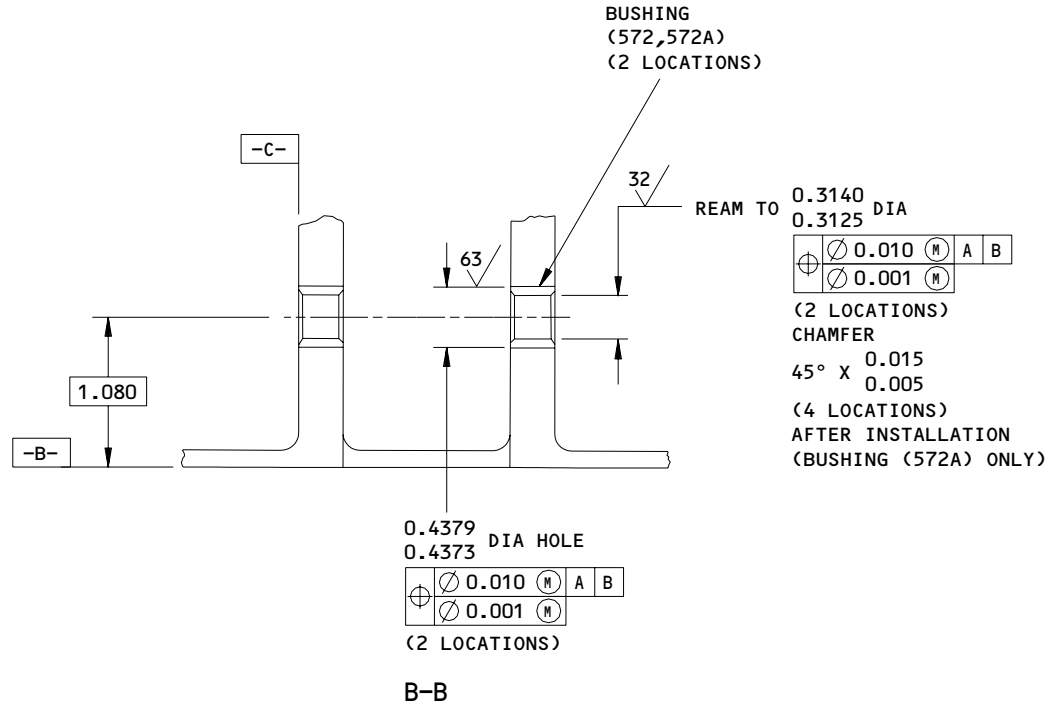
REPAIR 7-1

Page 602

Mar 01/04

01.1

**BOEING**  
COMPONENT  
MAINTENANCE MANUAL



315T3413-23,-27  
Bushing Replacement  
Figure 601 (Sheet 2)

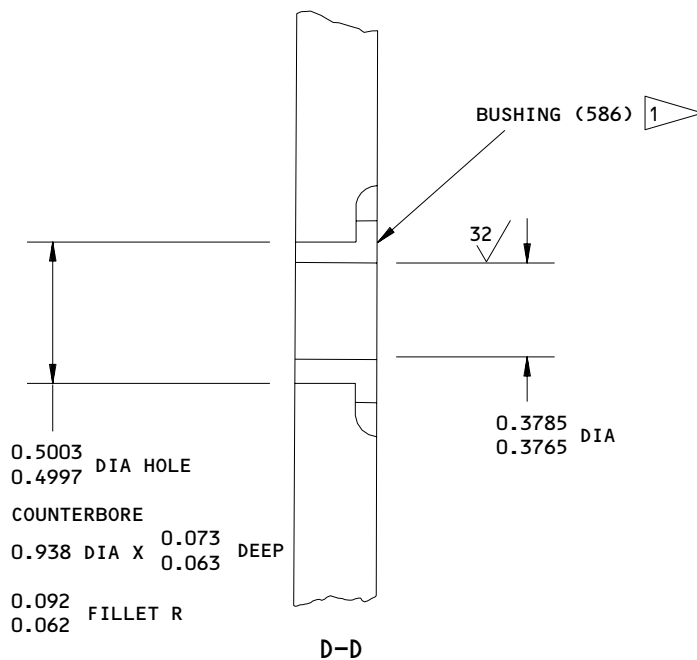
**71-11-56**

REPAIR 7-1

Page 603

Mar 01/04

01.1



1 FILLET SEAL BUSHING FLANGES WITH  
 BMS 5-26 SEALANT

ITEM NUMBERS REFER TO IPL FIG. 7

ALL DIMENSIONS ARE IN INCHES

315T3413-23,-27  
 Bushing Replacement  
 Figure 601 (Sheet 3)

71-11-56

REPAIR 7-1

01.1

Page 604

Mar 01/04



CASCADE ASSEMBLY – REPAIR 8-1

315T4210-1, -2, -3  
315T4212-1, -2, -3, -4  
315T4214-1, -2, -3, -4  
315T4259-1, -2, -7, -8, -9, -10  
315T4262-1

NOTE: Refer to REPAIR-GENERAL for list of applicable standard practices.

1. Cascade Assembly Vane Repair (20, 23, 53, 56, 59, 62, 104, 107, 110, 113, 116, 119, 146, 149A, 179, 182, 208, 211, 238, 241, 244, 247, IPL Fig. 1) (36, 39, 69, 72, 75, 78, 81, 84, 111, 114, 117, 120, 123, 126, 153, 156, 186, 189, 219, 222, 225, 228, 264, 267, IPL Fig. 18).

CAUTION: WELD REPAIRS MUST BE A MINIMUM OF 0.50 INCH FROM ANY STRONGBACK OR STRUCTURAL DAMAGE MAY OCCUR. REPLACE CASCADE ASSEMBLIES IF DAMAGE IS LESS THAN 0.50 INCH FROM A STRONGBACK.

A. Weld repairs not requiring a replacement section. (Ref. Fig. 601).

- (1) Clean entire casting per 20-30-03.
- (2) Stop drill end of crack(s) with a number 40 (0.098-inch diameter) or number 60 (0.040-inch diameter) drill.
- (3) Groove cracked area, from both sides, to ensure 100% joint penetration.

CAUTION: PREHEATING AND STRESS RELIEVING TO A MAXIMUM TEMPERATURE OF 350°F TO PREVENT CRACKING IS ALLOWED (FURNACE METHOD ONLY). 350°F SHALL NOT BE EXCEEDED OR STRUCTURAL DAMAGE MAY OCCUR.

DO NOT SOLUTION HEAT TREAT AND/OR AGE HARDEN THE WELD CASTING AS CRACKING/DISTORTION MAY OCCUR.

- (4) Weld joint using gas tungsten arc method and either AZ92A or AZ101A filler wire or rod per MIL-R-6944. Weld bead(s) must be left as deposited.
- (5) Penetrant examine per 20-20-02 and X-ray weld areas.
- (6) Refinish weld area(s) of casting by applying Dow 19 anodize per 20-43-02.
- (7) Apply one coat BMS 10-11, type 1 primer (F-20.02), and one coat BMS 10-60, color BAC707 gray gloss enamel (SRF-14.9813).

**71-11-56**

REPAIR 8-1

01.1

Page 601

Mar 01/04

B. Weld repairs requiring replacement sections.

- (1) Cut replacement section(s) from a similar salvaged cascade or 0.063-inch thick AZ31B magnesium sheet per QQ-M-44.
- (2) Clean cast or sheet metal per 20-30-03.
- (3) Prepare butt joint as required to permit 100% joint penetration.
- (4) Position parts for welding using a minimum of restraint.

**CAUTION:** PREHEATING AND STRESS RELIEVING TO A MAXIMUM TEMPERATURE OF 350°F TO PREVENT CRACKING IS ALLOWED (FURNACE METHOD ONLY). 350°F SHALL NOT BE EXCEEDED OR STRUCTURAL DAMAGE MAY OCCUR.

DO NOT SOLUTION HEAT TREAT AND AGE THE WELD CASTING AS CRACKING/DISTORTION MAY OCCUR.

- (5) Weld joint using gas tungsten arc method and either AZ92A or AZ101A filler wire or rod per MIL-R-6944. Weld beads must be left as deposited.
- (6) Penetrant examine per 20-20-02 and X-ray weld area(s).
- (7) Refinish weld area(s) of casting by applying Dow 19 anodize per 20-43-02.
- (8) Apply one coat BMS 10-11, type 1 primer (F-20.02), and one coat BMS 10-60, color BAC707 gray gloss enamel (SRF-14.9813).

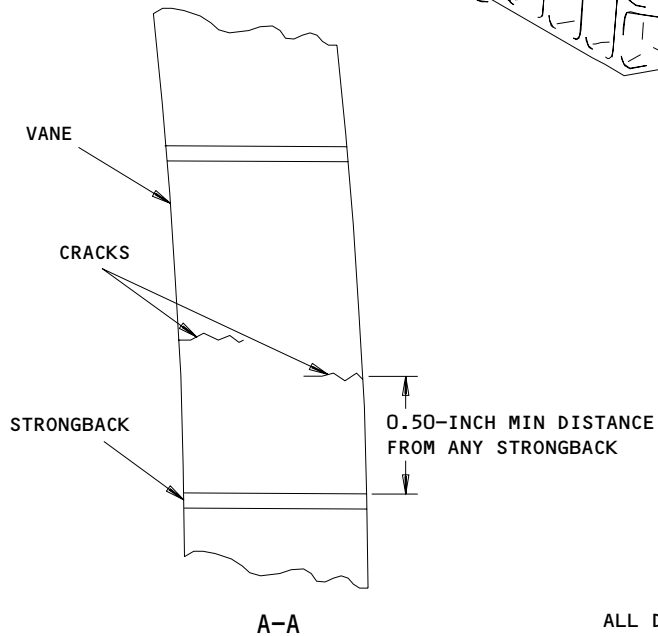
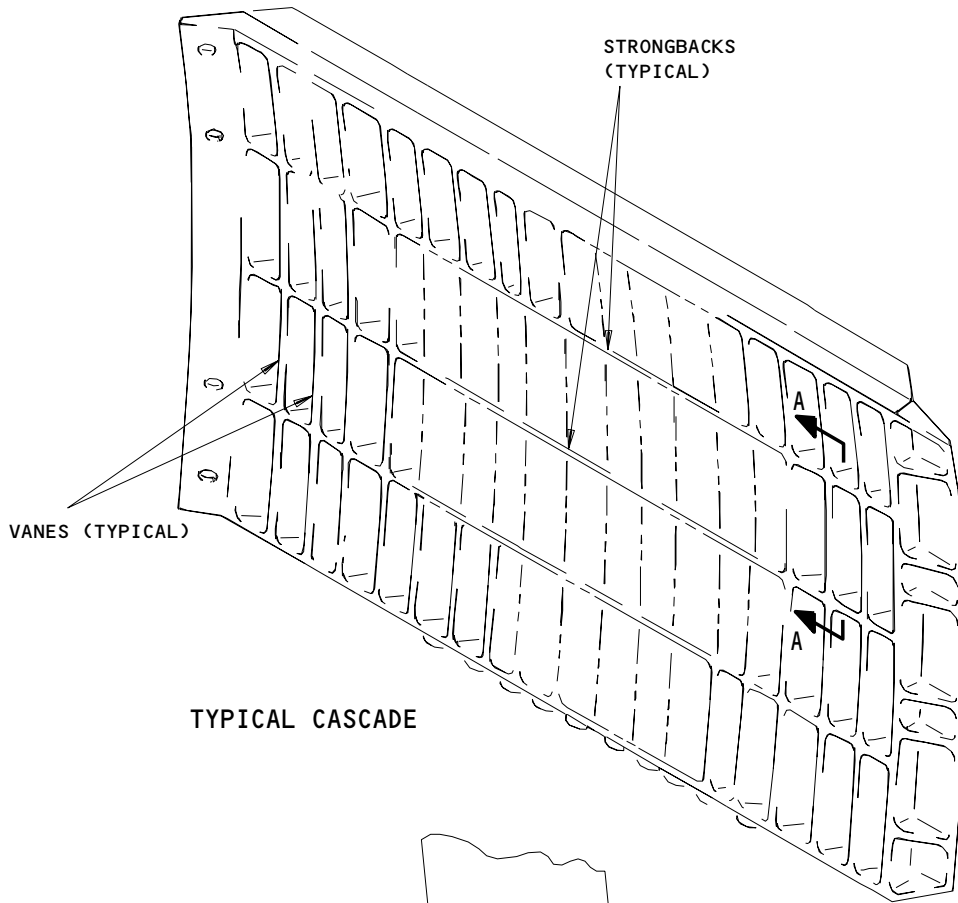
**71-11-56**

REPAIR 8-1

01.1

Page 602

Oct 01/89



ALL DIMENSIONS ARE IN INCHES

Cascade Vane Weld Repair  
Figure 601

**71-11-56**

REPAIR 8-1

Page 603

Oct 01/89

01.1

FAN DUCT COWL ASSEMBLY - REPAIR 9-1

315T4013-29 thru -38, -45 thru -48, -59, -60, -63 thru -86, -99 thru -128, -131  
-132, -135 thru -138, -145 thru -152, -154, -156, -158, -160, -162, -164, -165,  
|-167, -169, -171, -173, -175 thru -183, -185 thru -188  
315U4009-5 thru -12, -21 thru -24

NOTE: Refer to REPAIR-GEN for list of applicable standard practices.

1. Crown-Metro 64-C1-2 Coating Repair (IPL Fig. 1)

- A. Refer to CMM 71-00-01, "Application and Repair of Crown-Metro 64-C1-2 Insulative Coating System" to repair the insulative/ablativ coating on the Fan Duct Cowl Assembly.

**71-11-56**

REPAIR 9-1

01.1

Page 601

Nov 01/04

MISCELLANEOUS PARTS - REPAIR 10-1

NOTE: Refer to REPAIR-GEN for list of applicable standard practices.

1. Repair of parts in Fig. 601 consists of restoration of original finish.

| IPL FIG. & ITEM   | MATERIAL        | FINISH  |
|---|-----------------|---|
| <u>Fig. 1</u>   |                 |   |
| Fan Duct Cowl Assys<br>(1D,5D,10E,15E)                  |                 | Refinish per Fig. 602.  |
| Cascade (47,50,101,<br>143,173,176,205,<br>235,271,280) | Magnesium alloy | Apply Dow 17 per 20-43-02. Apply two coats BMS 10-11, type 1 primer per 20-41-02 (F-20.03) except in fastener holes apply one coat BMS 10-11, type 1 primer per 20-41-02 (F-20.02). |
| Fillet Fairing<br>(660,662)                             | Aluminum alloy  | Chemically treat (colored film) all surfaces (F-17.07) and apply one coat BMS 10-79, type 3 primer (F-19.47).   |
| <u>Fig. 2</u>   |                 |   |
| Torque Box Instl<br>(1,5)                               |                 | See Fig. 603.   |
| Bracket Assys (60,<br>65,80,85) Bracket<br>(345)        | Aluminum alloy  | Chemically treat (colored film) and apply one coat of BMS 10-11, type 1 primer (F-18.06) all over per 20-41-02.   |
| Fillers (115,120)<br>Stiffener Assy<br>(140)            | Aluminum alloy  | Chromic acid anodize, type 1 and apply one coat BMS 10-11, type 1 primer (F-18.13) all over per 20-41-02.   |
| Strips (720,725)  | Aluminum alloy  | Chemically treat all surfaces (colored film) (F-17.07). Apply one coat BMS 10-79, type 3 primer (F-19.47) all over.   |

Refinish Details  
Figure 601 (Sheet 1)

**71-11-56**

REPAIR 10-1

01.1

Page 601

Mar 01/04

| IPL FIG. & ITEM   | MATERIAL                    | FINISH  |
|---|-----------------------------|---|
| <u>Fig. 3</u>   |                             |   |
| Strip (20), Shim (45)   | Aluminum alloy              | Chromic acid anodize, type 1 and apply one coat BMS 10-11, type 1 primer (F-18.13) all over per 20-41-02.   |
| Strips (30,40,50,60,70,75,85), Moldings (90,95)                     | Aluminum alloy              | Chemically treat (colored film) and apply one coat BMS 10-11, type 1 primer (F-18.06) all over per 20-41-02.  |
| Duct Assy (140A)  |                             | See Fig. 604  |
| Spacers (220,225)   | Aluminum alloy              | Chromic acid anodize, type 1 (F-17.04). Apply two coats BMS 10-11, type 1 primer (F-20.03) all over per 20-41-02.   |
| <u>Fig. 4</u>   |                             |   |
| Duct Assy (185B), Bracket (235,350A), Tube Assy (260), L-Clip (345) | Aluminum alloy              | Chromic acid anodize, type 1 and apply one coat BMS 10-11, type 1 primer (F-18.13) all over per 20-41-02.   |
| Bracket (255,315)   | Inconel 625                 | Apply two coats BMS 10-11, type 1 primer (F-20.03) per 20-41-02.  |
| <u>Fig. 5</u>   |                             |   |
| Pin (20), Retainer (235,240)  | 15-5 PH CRES<br>150-170 KSI | Cadmium plate, type 2, class 2, and apply one coat BMS 10-11, type 1 primer (F-16.01) per 20-41-02. Primer and plating not required in threaded hole of pin (20). |

Refinish Details  
Figure 601 (Sheet 2)

**71-11-56**

REPAIR 10-1

01.1

Page 602

Dec 01/94

| IPL FIG. & ITEM  | MATERIAL                      | FINISH  |
|--|-------------------------------|---|
| Liners (45,47)   | 17-7 PH CRES<br>180-200 KSI   | Nickel plate ID 0.003-0.005 inch thick per BMS 10-36, type 2 (optional ID surface finish 16 microinch and passivate). Cad plate OD type 2, class 2 0.0003-0.0010 thick and apply one coat of BMS 10-11, type 1 primer per 20-41-02 (F-16.01). |
| Liners (210,215)   | 17-7 PH CRES<br>(150-170 KSI) | See Fig. 605.   |
| Bracket (270)  | Inconel 625                   | Apply two coats BMS 10-11, type 1 primer (F.20.03) all over per 20-41-02.   |
| Shims (350,360,440,445) Pads (400,405,470,475,550A,555A),<br>Fillers (415,420)                 | Aluminum alloy                | Chromic acid anodize, type 1 and apply one coat BMS 10-11, type 1 primer (F-18.13) all over per 20-41-02.   |
| Fillers (335,340)  | Aluminum alloy                | Chemically treat (colored film) and apply one coat BMS 10-11, type 1 primer (F-18.06) all over per 20-41-02.  |
| <u>Fig. 6</u>  |                               |   |
| Support Assys (30A,35,60A,85,90,195G,200E), Bracket Assy (60), Fairing Assys (165,170,195,200) |                               | Apply two coats BMS 10-11, type 1 primer (F-20.03). Omit primer from threads of nutplates.  |
| Retainers (180,185,210,215,220,225,230,240,245,250,255,265,270,275,280)                        |                               | Prepare surface and passivate (F-17.09) all over per 20-30-03, method 2.  |
| Fairings (187,190,295,300,305B,310B)   | Inconel 625                   | Prepare surface and passivate (F-17.09) all over per 20-30-03, method 2.  |

Refinish Details  
Figure 601 (Sheet 3)

**71-11-56**

REPAIR 10-1

01.1

Page 603

Dec 01/94

| IPL FIG. & ITEM  | MATERIAL                    | FINISH   |
|--|-----------------------------|--|
| <u>Fig. 7</u>  |                             |  |
| Liners (638,640)   |                             | See Fig. 605.  |
| Liners (736A,738A)   | 17-7 PH CRES<br>180-200 KSI | Inside surface: Nickel plate 0.003-0.005 inch thick per BMS 10-36, type II. Outside surface: Cadmium plate, type 2, class 2 (0.0003-0.0010 inch thick) and apply one coat BMS 10-11, type 1 primer (F-16.01) per 20-41-02. |
| Fairings (220,225)   | Aluminum alloy              | Chemically treat (colored film) and apply one coat BMS 10-11, type 1 primer (F-18.06) all over per 20-41-02.   |
| Angles (230,235,240,245,250,255,270,275),<br>Fillers (380),<br>Channel (710,712,714) | Aluminum alloy              | Chemically treat (colored film) and apply one coat BMS 10-11, type 1 primer (F-18.06) all over per 20-41-02.   |
| Filler (684)   | Aluminum alloy              | Chromic acid anodize, type 1 and apply one coat BMS 10-11, type 1 primer (F-18.13) all over.   |
| Bolts (542A)   | A286 CRES                   | Cadmium plate, type 2, class 2 per 20-42-05 (F-15.06) all over.  |
| Fittings (592)   | Aluminum alloy              | Chromic acid anodize, type 1 or sulfuric acid anodize type 2 (F-17.05). Apply one coat BMS 10-11, type 1 primer (F-20.02) all over except omit primer in holes for bushing.  |

Refinish Details  
Figure 601 (Sheet 4)

**71-11-56**

REPAIR 10-1

01.1

Page 604

Nov 01/00



| IPL FIG. & ITEM                      | MATERIAL                    | FINISH  |
|--------------------------------------|-----------------------------|---|
| Latch Keepers (495)<br>Doubler (682) | 17-7 PH CRES<br>150-170 KSI | Prepare surface and passivate, type 2 (F-17.09) all over per 20-30-03.  |
| Brackets (700,702)                   | Inconel 625                 | Apply one coat BMS 10-11, type 1 primer (F-20.02) all over per 20-41-02.  |
| Door (718)                           |                             | See Fig. 606.   |
| Rod (562)                            |                             | See Fig. 607.   |
| Spring (564)                         | 302 steel wire              | Prepare surface and passivate, type 2 (F-17.09) all over per 20-30-03.  |
| Filler (566)                         | Aluminum alloy              | Chemical treat (colored film) and apply two coats BMS 10-11, type 1 primer (F-18.03) all over per 20-41-02.   |
| Handle Assy (568)                    |                             | Apply one coat BMS 10-11, type 1 primer per 20-41-02 (F-20.02). Apply all over one coat BMS 10-11, type 2 gloss enamel. BAC101 red per 20-41-02 (SRF-14.905-101). |
| Retainer-Liner (628)                 | Aluminum alloy              | Chromic acid anodize, type 1 (F-17.04) and apply two coats BMS 10-11, type 1 primer per 20-41-02 (F-20.03). Primer not required in hole.                          |
| Pin (630)                            | 15.5 PH CRES<br>150-170 KSI | Cad plate type 2, class 2, and apply one coat of BMS 10-11, type 1 primer per 20-41-02 (F-16.01). Cad plate and primer not required in threaded hole.             |
| Bolt (594,610)                       | A286 CRES                   | Passivate per 20-30-03, method 2 (F-17.09).   |

Refinish Details  
Figure 601 (Sheet 5)

**71-11-56**

REPAIR 10-1

01.1

Page 605

Nov 01/00

| IPL FIG & ITEM                     | MATERIAL                    | FINISH   |
|------------------------------------|-----------------------------|--|
| Fitting (733,734)                  |                             | Chromic acid anodize, type 1 or sulfuric acid anodize, type 2 (F-17.05) and apply one coat BMS 10-79, type 3 primer (F-19.47) except max primer thickness to be 0.0015. Omit primer in holes for bushings. |
| Forward Shear Pin (295)            | 15-5 PH CRES<br>150-170 KSI | Cad plate type 2, class 2 and apply one coat of BMS 10-11, type 1 primer per 20-41-02 (F-16.01). Omit primer from threads - plating not required in holes.   |
| Fittings (526)                     | Aluminum alloy              | Anodize type 1, chromic acid or type 2, sulfuric acid (F-17.05). Apply one coat of BMS 10-11, type 1 primer per 20-41-02 (F-20.02). Omit primer in bushing holes.  |
| Fittings (668,670)<br>Filler (684) | Aluminum alloy              | Chromic acid anodize, type 1, and apply one coat of BMS 10-11, type 1 primer per 20-41-02 (F-18.13).   |
| Latch Keeper (485)<br>Filler (566) | Aluminum alloy              | Treat surface (colored film) and apply two coats of BMS 10-11, type 1 primer per 20-41-02 (F-18.03).   |
| <u>Fig. 8</u>                      |                             |  |
| Retainers (95,100)                 | Aluminum alloy              | Chemically treat (colored film) and apply one coat BMS 10-11, type 1 primer (F-18.06) all over.  |

Refinish Details  
Figure 601 (Sheet 6)

**71-11-56**

REPAIR 10-1

01.1

Page 606

Mar 01/04

| IPL FIG & ITEM  | MATERIAL        | FINISH  |
|---|-----------------|---|
| Brackets (155,160)  | Aluminum alloy  | Chemically treat all surfaces (colored film) (F-17.07). Apply Desoto high temperature polyurethane primer (F-19.43). No finish on area having seal vulcanized to it.                |
| <u>Fig. 18</u><br>Cascade (63,66,108,<br>150,180,183,213,<br>216,252,255,258,<br>261,291) | Magnesium alloy | Apply Dow 17 per 20-43-02. Apply two coats BMS 10-11, Type 1 primer per 20-41-02 (F-20.03) except in fastener holes apply one coat BMS 10-11, Type 1 primer per 20-41-02 (F-20.02). |
| Fillet Fairing (393,396)  | Aluminum alloy  | Chemical treat (colored film) all surfaces (F-17.07) and apply one coat BMS 10-79, Type 3 primer (F-19.47).   |

Refinish Details  
Figure 601 (Sheet 7)

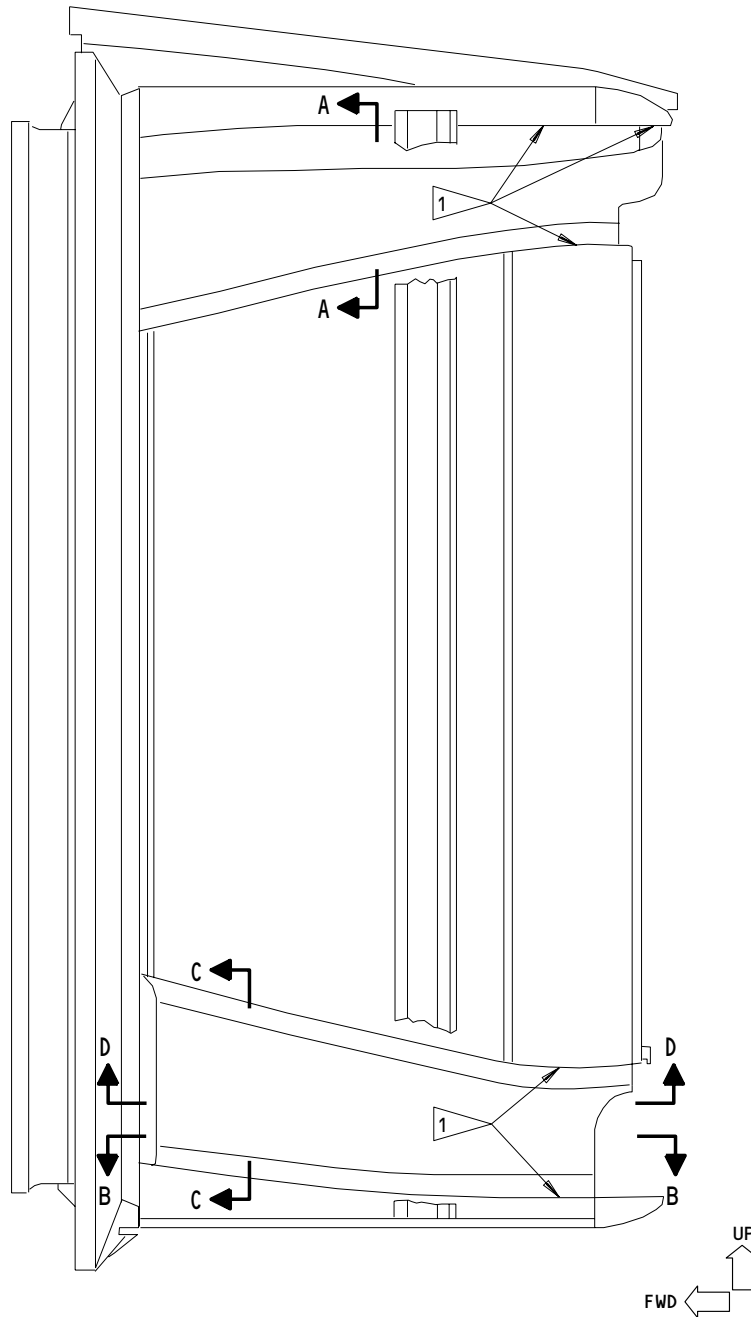
**71-11-56**

REPAIR 10-1

01.1

Page 607

Mar 01/04



(CASCADES OMITTED FOR CLARITY)

1 APPLY ONE COAT OF BMS 10-60, TYPE 2,  
 GLOSS ENAMEL (F-19.39-XXXX) PER  
 OPERATORS STANDARD COLOR SCHEME WITHIN  
 LIMITS INDICATED. OVERSPRAY IS NOT  
 ALLOWED.

Refinish of Fan Duct Cowl Assembly  
 Figure 602 (Sheet 1)

**71-11-56**

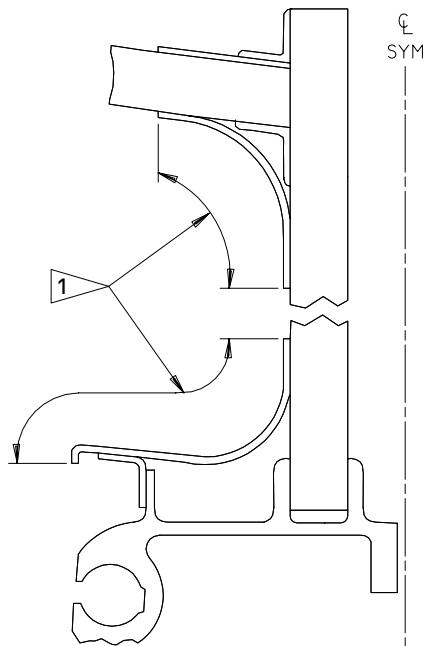
REPAIR 10-1

01.101

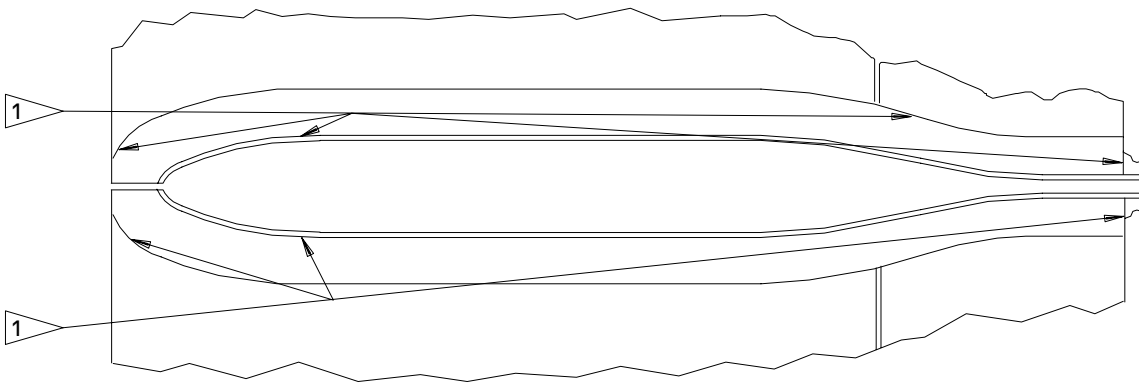
Page 608

Mar 01/04





(TYPICAL)  
 C-C



D-D

- 1 APPLY ONE COAT OF BMS 10-60, TYPE 2, GLOSS ENAMEL (F-19.39-XXXX) PER OPERATORS STANDARD COLOR SCHEME WITHIN LIMITS INDICATED. OVERSPRAY IS NOT ALLOWED.

Refinish of Fan Duct Cowl Assembly  
 Figure 602 (Sheet 3)

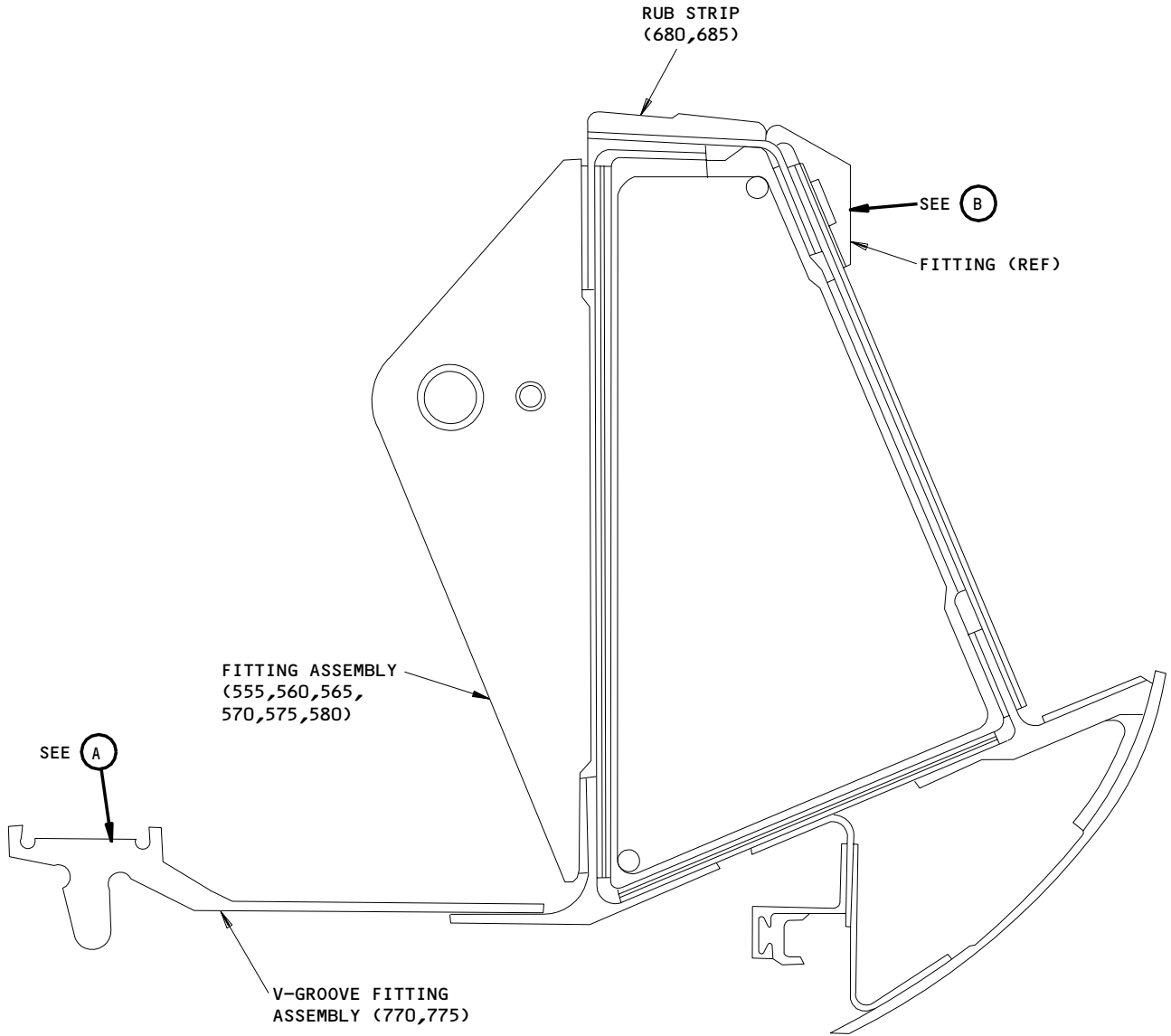
**71-11-56**

REPAIR 10-1

01.101

Page 610

Mar 01/04



ITEM NUMBERS REFER TO IPL FIG. 2

315T3202-149,-150,-179,-180,-233,-234,-235,-236  
Refinish of Torque Box Installation  
Figure 603 (Sheet 1)

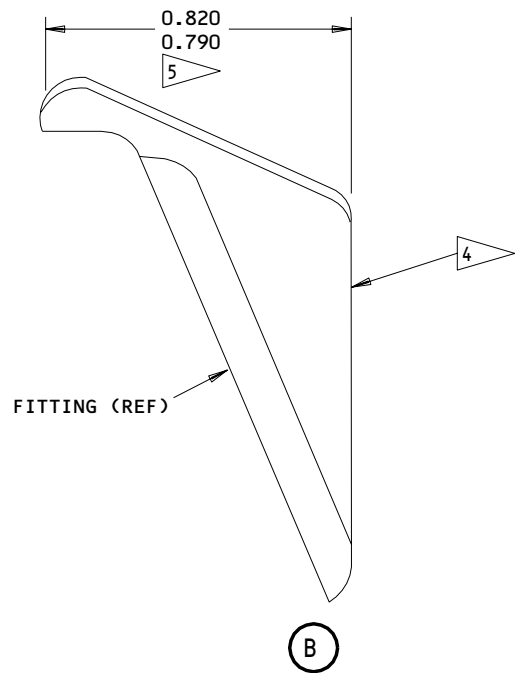
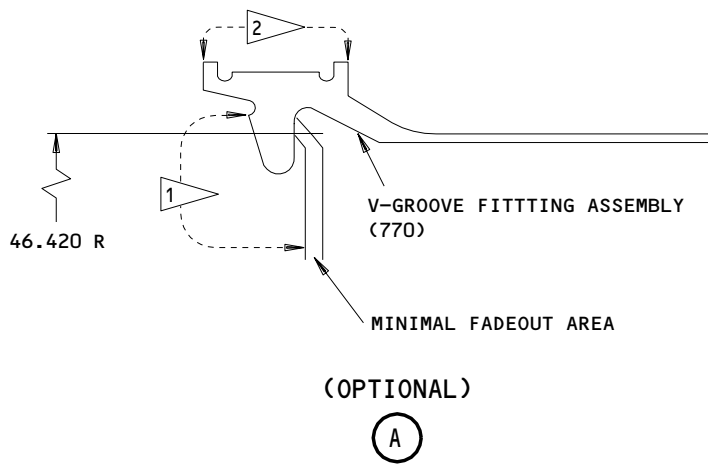
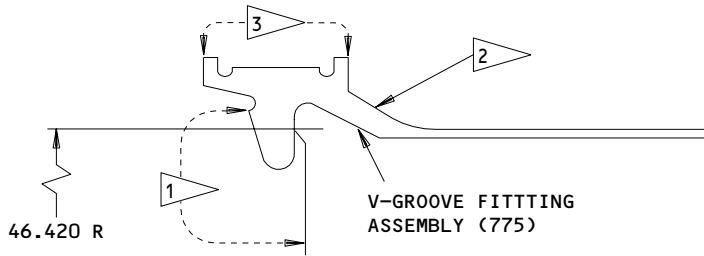
**71-11-56**

REPAIR 10-1

01.101

Page 611

Mar 01/04



MATERIAL: ALUMINUM ALLOY  
 ITEM NUMBERS REFER TO IPL FIG. 2  
 ALL DIMENSIONS ARE IN INCHES

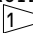
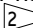
315T3202-149,-150,-179,-180,-233,-234,-235,-236  
 Refinish of Torque Box Installation  
 Figure 603 (Sheet 2)

**71-11-56**  
 REPAIR 10-1  
 Page 612  
 Mar 01/04

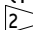
01.101

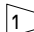
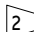
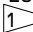
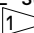
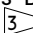


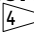
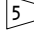


**REFINISH**

FLASH HARD ANODIZE 0.0002-0.0004 INCH THICK AND SODIUM DICHROMATE SEAL OR SULFURIC ACID ANODIZE AND SODIUM DICHROMATE SEAL, TYPE 2, BUT NOT SULFURIC ACID HARD ANODIZE CLASS 1, GRADE 2 (F-17.06) . DO NOT SEAL 0.002 INCH THICK HARD ANODIZED SURFACES. FLASH ANODIZE AND APPLY BMS 3-8, CLASS A AS SHOWN IN SOPM 20-50-08, METHOD 3 (F-19.10) .

MATERIAL: ALUMINUM ALLOY  
ITEM NUMBERS REFER TO IPL FIG. 2  
ALL DIMENSIONS ARE IN INCHES

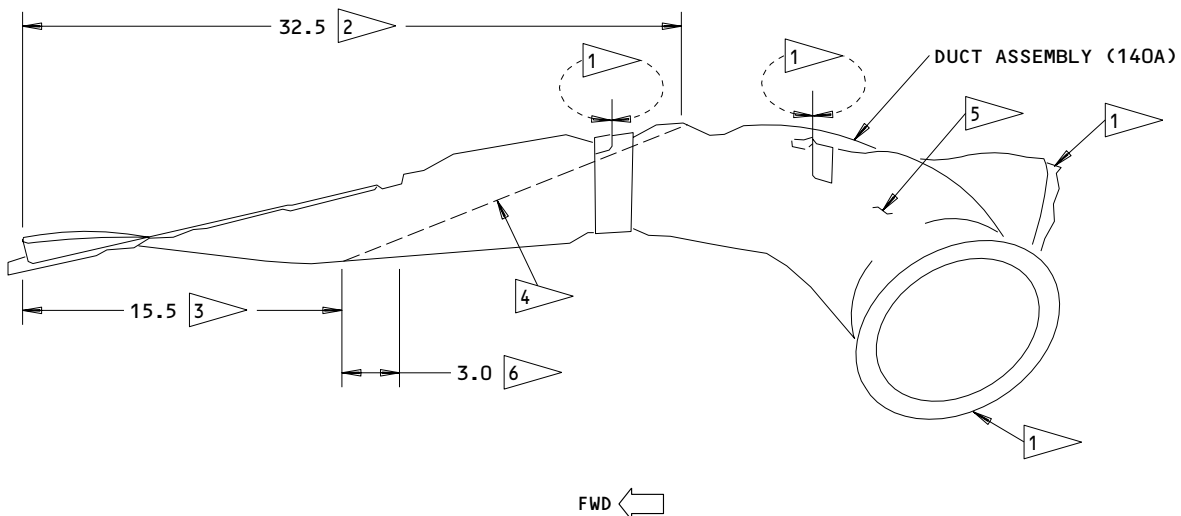
APPLY TWO COATS BMS 10-11, TYPE 1, PRIMER AS SHOWN IN SOPM 20-41-02 (F-20.03) TO ALL AREAS NOT COATED AS SHOWN IN .

-  APPLY 0.002 INCH THICK HARD ANODIZE AND SODIUM DICHROMATE SEAL, CLASS 2, GRADE 1. DRY LUBE TYPE VI, CLASS 2.
-  REMAINDER OF PART SHALL BE FLASH HARD ANODIZED 0.0002 DICHROMATE SEALED, TYPE II OR ANODIZED TYPE 1 (CHROMIC ACID) OR TYPE 2 (SULFURIC ACID) (F-17.05). APPLY ONE COAT OF BMS 10-11, TYPE 1 PRIMER AS SHOWN IN SOPM 20-41-02 (F-20.02) TO ALL SURFACES BUT NOT . APPLY ONE COAT OF BMS 10-11, TYPE 2 ENAMEL, COLOR 707 GRAY GLOSS AS SHOWN IN SOPM 20-41-02 (F-21.03) TO ALL SURFACES BUT NOT THOSE DEFINED BY FLAG  AND .
-  PREPARE SURFACE AND APPLY BMS 10-86, TYPE 1, COLOR WHITE AS SHOWN IN SOPM 20-44-01, SOPM 20-50-05, TYPE 27 (SRF 14.9624).
-  CHROMIC ACID ANODIZE, TYPE 1 AND APPLY ONE COAT BMS 10-11, TYPE 1 PRIMER AS SHOWN IN SOPM 20-41-02 (F-18.13) ALL OVER BUT NOT THAT AREA COVERED BY .
-  CHROMIC ACID ANODIZE, TYPE 1 (F-17.04) AND APPLY BMS 3-8, CLASS A, AS SHOWN IN SOPM 20-50-08, METHOD 3 (F-19.10) ON INDICATED AREA.

315T5202-149,-150,-179,-180,-233,-234,-235,-236  
Refinish of Torque Box Installation  
Figure 603 (Sheet 3)

**71-11-56**  
REPAIR 10-1  
Page 613  
Mar 01/04

01.101



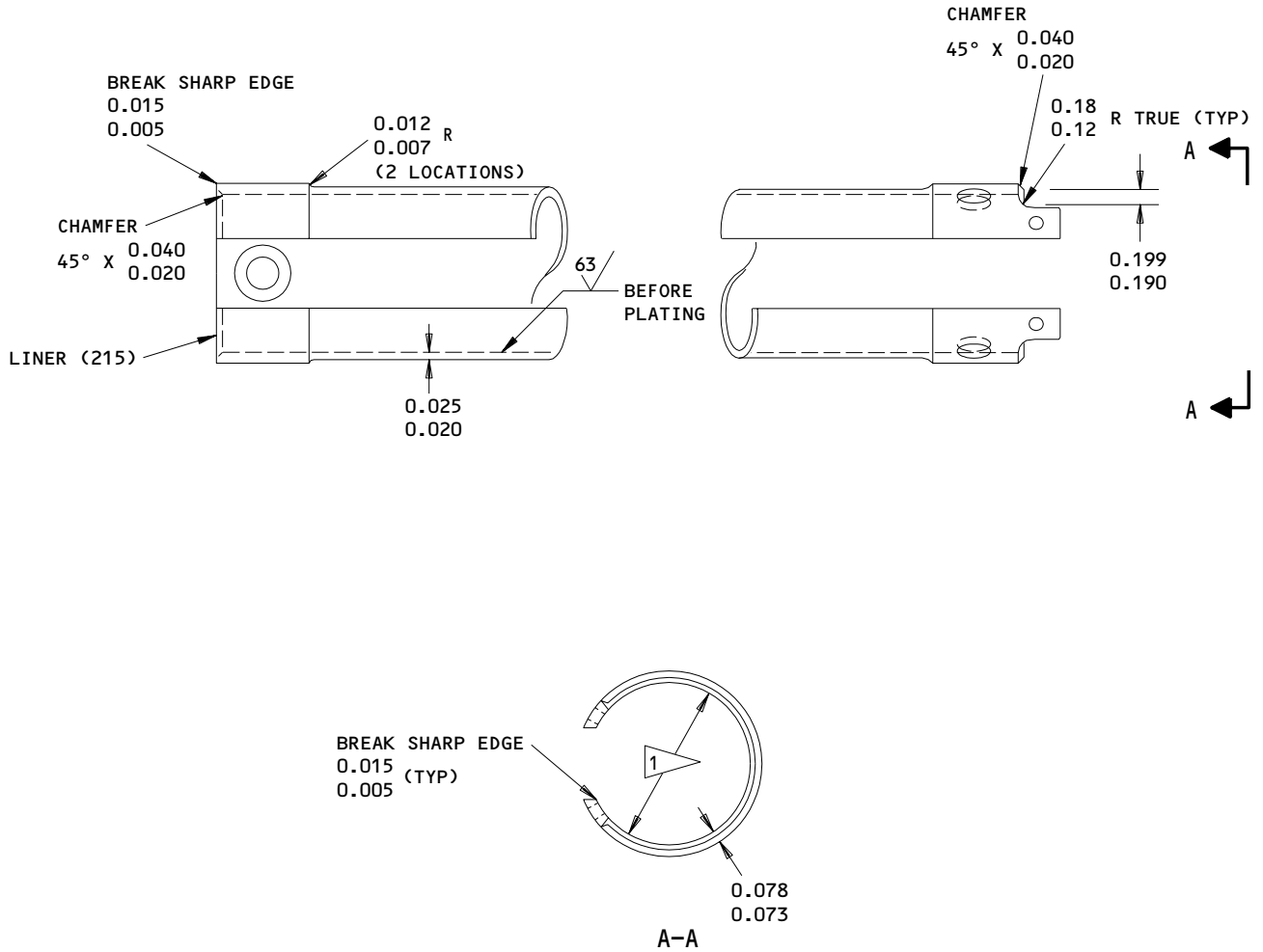
**REFINISH**

INTERIOR SURFACES: APPLY NO FINISH.  
 APPLY CROWN-METRO, TYPE 1, GRADE B AS FOLLOWS:

- 1 NO CROWN-METRO REQUIRED
- 2 ON FAN DUCT SIDE OF DUCT ASSEMBLY  
 NO CROWN-METRO IS REQUIRED FORWARD OF  
 THIS POINT
- 3 ON ENGINE CASE SIDE OF DUCT ASSEMBLY  
 NO CROWN-METRO IS REQUIRED FORWARD OF  
 THIS POINT
- 4 THE ZERO THICKNESS POINT ON THE  
 SIDES OF THE DUCT ASSEMBLY WILL  
 VARY LINEARLY BETWEEN 2 AND 3
- 5 0.32 INCHES OF CROWN-METRO ON REMAINDER  
 OF KEVLAR PORTION OF DUCT ASSEMBLY
- 6 TAPER CROWN-METRO FROM ZERO TO 0.32  
 INCHES, BUT NO CROWN-METRO ON FLANGES

ITEM NUMBERS REFER TO IPL FIG. 3  
 ALL DIMENSIONS ARE IN INCHES

315T3125-22,-34,-45,-47,-48,-49,-53,-54  
 Refinish of Duct Assembly  
 Figure 604



**REFINISH**

NICKEL PLATE ID 0.003-0.005 INCH THICK PER BMS 10-36, TYPE 2 (OPTIONAL INSIDE DIAMETER SURFACE FINISH 16 MICROINCH AND PASSIVATE AS SHOWN IN SOPM 20-30-03). CADMIUM PLATE OUTSIDE DIAMETER 0.0010 INCH MAXIMUM THICKNESS AND APPLY ONE COAT BMS 10-11, TYPE 1 PRIMER AS SHOWN IN SOPM 20-41-02 (F-16.01). DIMENSIONS APPLY AFTER PLATING AND FINISH COATING.

125/ ALL MACHINED SURFACES UNLESS SHOWN DIFFERENTLY

MATERIAL: 17-7PH CRES  
150-170 KSI

MAGNETIC PARTICLE CHECK AS SHOWN IN SOPM 20-20-01

ITEM NUMBERS REFER TO IPL FIG. 5

ALL DIMENSIONS ARE IN INCHES

1 1.082 MINIMUM WHEN PART IS NOT RESTRAINED.  
1.070-1.090 ID WHEN OD IS RESTRAINED.

315T3415-10,-11,-18,-19,-27,-28,-29,-30  
Refinish of Liner  
Figure 605

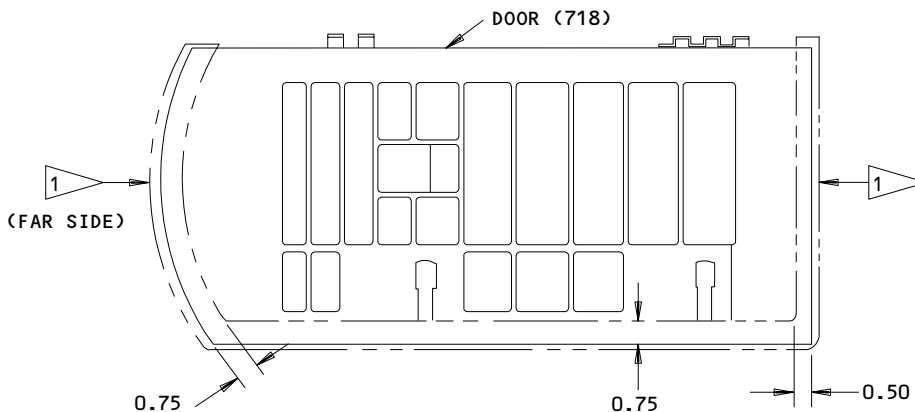
**71-11-56**

REPAIR 10-1

01.101

Page 615

Mar 01/04



**REFINISH**

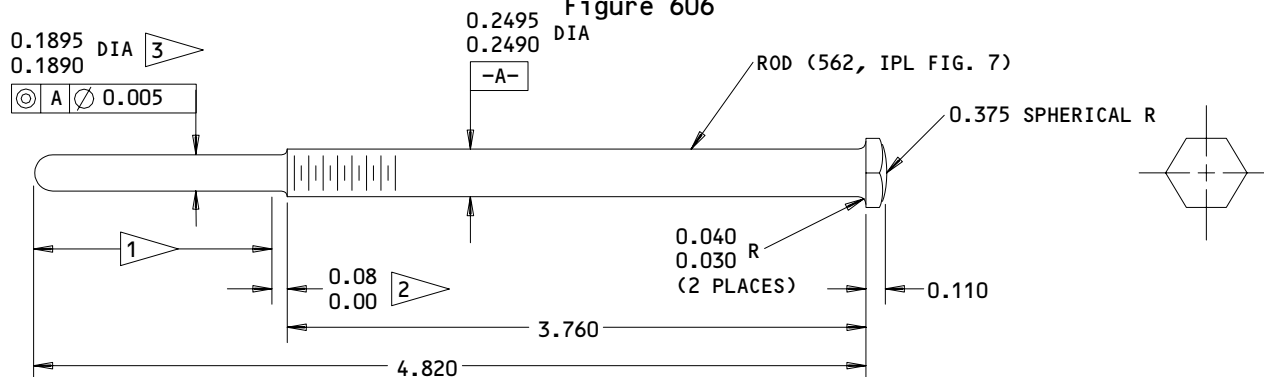
CHROMIC ACID ANODIZE, TYPE 1 OR SULFURIC ACID ANODIZE, TYPE 2 (F-17.05) ALL OVER. APPLY ONE COAT BMS 10-79, TYPE 3 PRIMER (F-19.47) ALL OVER. APPLY BMS 10-60, TYPE 2 ENAMEL (F-19.39-XXX) PER AIRLINE STANDARD COLOR SCHEME. OMIT ENAMEL ON AREA OF 1

- 1 PREPARE SURFACE AND APPLY BMS 10-86, TYPE 1 WHITE TEFLON-FILLED COATING, AS SHOWN IN SOPM 20-44-01 AND SOPM 20-50-05, TYPE 27 (SRF 14.9624)

MATERIAL: ALUMINUM ALLOY  
 ITEM NUMBERS REFER TO IPL FIG. 7  
 ALL DIMENSIONS ARE IN INCHES

315T3416-32,-36,-38,-42  
 Refinish of Exhaust Door Assembly

Figure 606



**REFINISH**

PREPARE SURFACE AND PASSIVATE, METHOD 2, PER 20-30-03 (F-17.09). CHROME PLATE PER 20-42-03 (F-15.03) ON INDICATED AREA

MATERIAL: 15-5PH CRES  
 180-200 KSI

ALL DIMENSIONS ARE IN INCHES

- 1 CHROME PLATE THIS AREA
- 2 NO CHROME PLATE IN THIS AREA
- 3 DIMENSIONS APPLY AFTER PLATING

315T1452-2

Refinish of Rod  
 Figure 607

71-11-56

REPAIR 10-1

01.101

Page 616

Mar 01/04

COWL CATCH - REPAIR 11-1

315T3554-2

NOTE: Refer to REPAIR-GEN for list of applicable standard practices.

1. Cowl Catch Replacement (545Z, 896, IPL Fig. 1; 55, IPL Fig. 20)

- A. Remove cowl catch. Mark location of cowl catch on skin panel assembly to locate replacement cowl catch.
- B. Position replacement cowl catch on skin panel assembly to the forward/aft dimension shown in Fig. 601 and the location marked in step 1.A.

NOTE: Replacement cowl catch does not have fastener holes drilled.

- C. Drill 0.1885-0.1905-inch diameter holes in replacement cowl catch to match existing holes in skin panel assembly. Drill outboard cowl catch holes first. Install temporary fasteners to secure the cowl catch to the skin panel assembly. Drill the four remaining holes.
- D. Remove all temporary fasteners.
- E. Deburr holes.
- F. Install bolts (BACB30NW6K) and collars (HL79-6), six (6) locations. Install fasteners with wet BMS 10-11, type 1 primer.

2. Refinish

- A. Cowl Catch (545Z, 896, IPL Fig. 1; 55, IPL Fig. 20) -- Cadmium plate, type 2, class 2 per 20-42-05 (F-15.06) and apply Desoto high temperature polyurethane primer (F-19.43). Material: 15-5PH CRES (180-200 ksi)

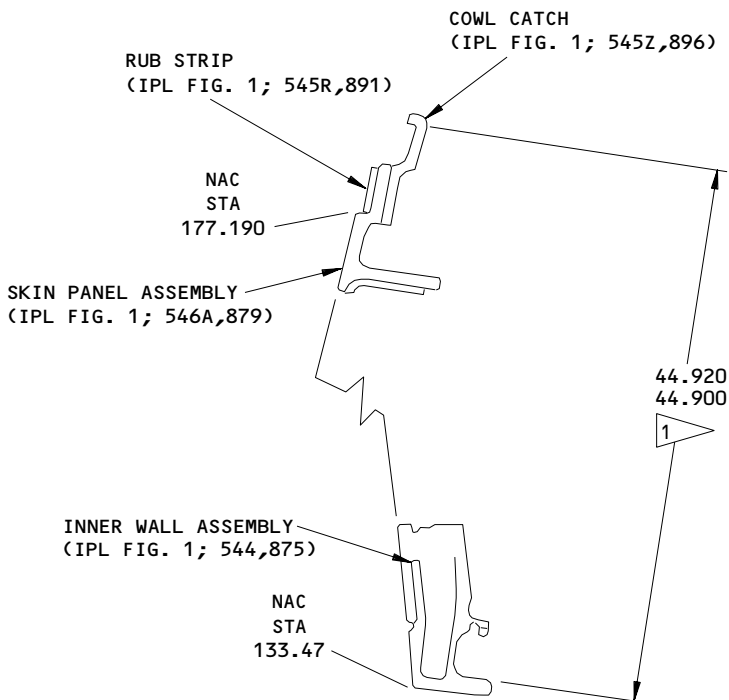
**71-11-56**

REPAIR 11-1

01.1

Page 601

Mar 01/04



1 FORWARD/AFT DIMENSION

ALL DIMENSIONS ARE IN INCHES

315T3554-2  
 Cowl Catch Replacement  
 Figure 601

**71-11-56**

REPAIR 11-1

Page 602

Mar 01/04

01.1

INSULATION BLANKET ASSEMBLY – REPAIR 12-1

315T3125-23, -46, -56

NOTE: Refer to REPAIR-GEN for list of applicable standard practices.

1. Use the following procedures to restore the blanket (143, 143A, 143B; IPL Fig. 3). See Fig. 601 for typical insulation blanket construction.
  - A. Prepare a fiberglass repair doubler from BMS 9-3, type D or H, glass cloth. The doubler must overlap the abrasion damage by at least 0.75 inches.
  - B. Lightly abrade the blanket surface 0.75 inch larger than the damaged area per (20-30-03).
  - C. Solvent wipe surface with MEK cleaning solvent or equivalent.
  - D. Prepare RTV60, sealant top coat per BAC 5892 using type B catalyst and impregnate fiberglass repair doubler.
  - E. Apply fiberglass repair doubler to blanket and apply pressure to ensure squeeze out of RTV60, sealant top coat.
2. If insulation material has been lost, refill with MIN-K fiber manufactured by the Manville Corporation as follows:
  - A. Blankets with thickness 0.25 to 0.375 inch, use F-100-8-MIN-K material.
  - B. Blankets with thickness of 0.125 inch, use F-182-16-MIN-K material.
3. Please note that if the outer foil layer to the insulation material has worn through, MIN-K fibers have probably escaped. Replacement of the MIN-K fibers is necessary to restore the proper insulating properties to the blanket.

**71-11-56**

REPAIR 12-1

01.1

Page 601

Mar 01/98

4. Use the following procedure to repair delaminated insulation blanket (143, 143A, 143B, IPL Fig. 3).
  - A. Cut insulation blanket (143, 143A, 143B, IPL Fig. 3) in the shape of an "I" in the delaminated area as shown in Fig. 602.
  - B. Bond insulation blanket (143, 143A, 143B, IPL Fig. 3) using RTV60 sealant.
  - C. Prepare a fiberglass repair doubler from BMS 9-3, type D or H, glass cloth. The doubler must overlap the delaminated area by at least 0.75 inches.
  - D. Lightly abrade the blanket surface 0.75 inch larger than the delaminated area per (20-30-03).
  - E. Solvent wipe surface with MEK cleaning solvent or equivalent.
  - F. Prepare RTV60, sealant top coat per BAC 5892 using type B catalyst and impregnate fiberglass repair doubler.
  - G. Apply fiberglass repair doubler to blanket and apply pressure to ensure squeeze out of RTV60, sealant top coat.
5. If insulation material has been lost at any time, refill with MIN-K fiber manufactured by the Manville Corporation as follows:
  - A. Blankets with thickness 0.25 to 0.375 inch, use F-100-8-MIN-K material.
  - B. Blankets with thickness of 0.125 inch, use F-186-16-MIN-K material.

**NOTE:** If the outer foil layer to the insulation material is worn through, MIN-K fibers have probably escaped. Replacement of the MIN-K fibers is necessary to restore the proper insulating properties to the blanket.

**71-11-56**

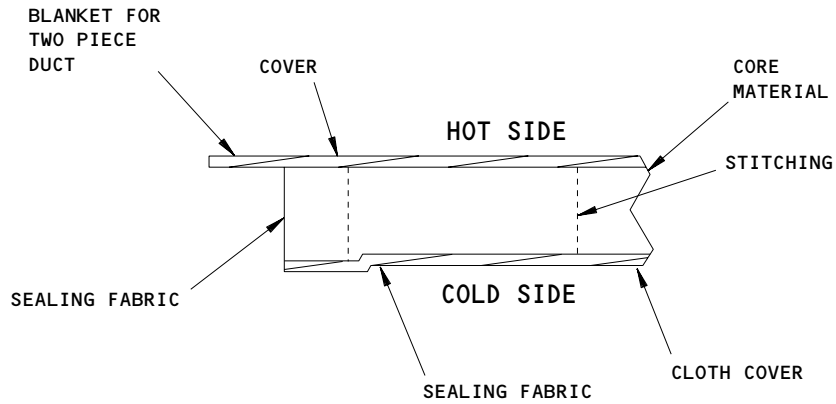
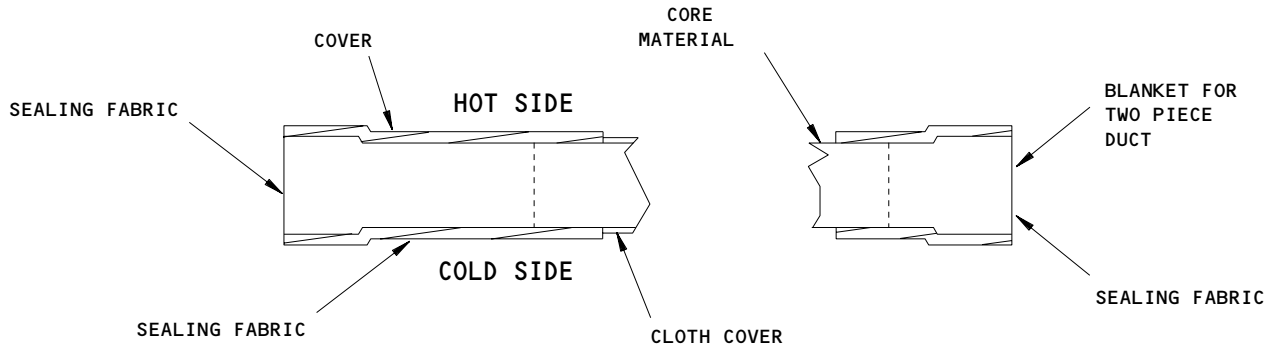
REPAIR 12-1

01.1

Page 602

Mar 01/98





TYPICAL INSULATION BLANKET CONSTRUCTION  
315T3125-23,-46,-56

Insulation Blanket Assembly  
Figure 601

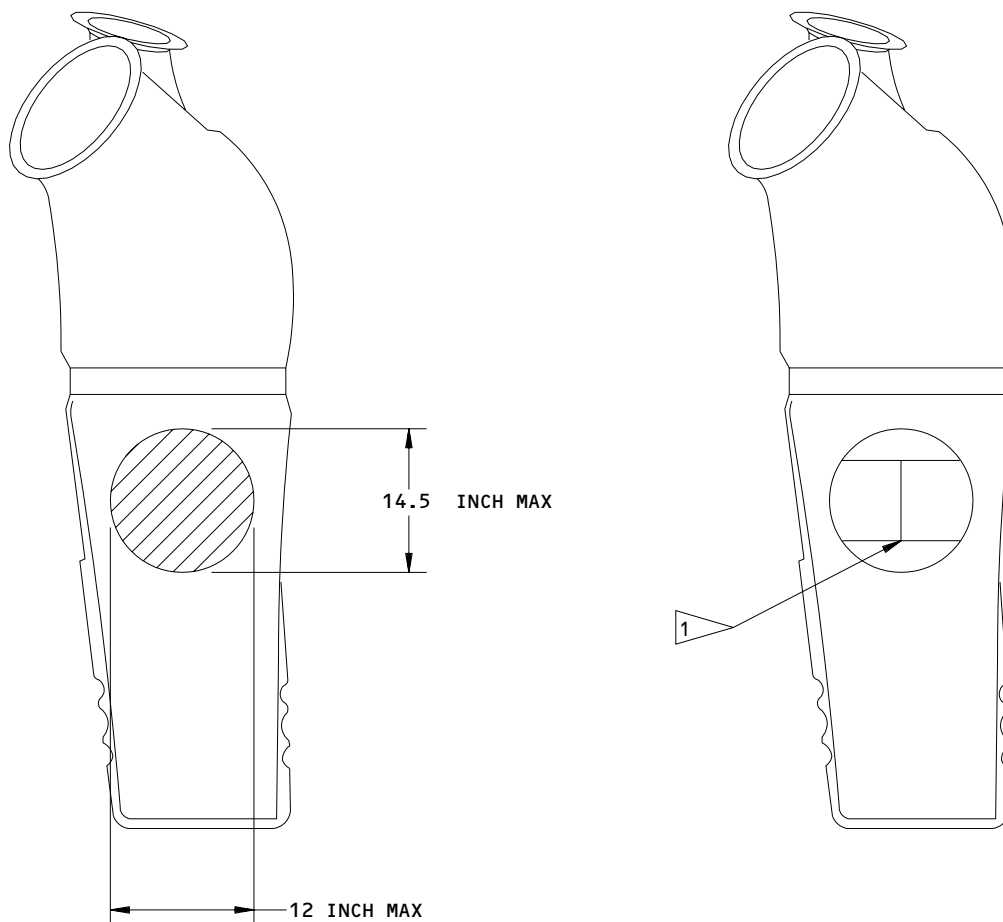
**71-11-56**

REPAIR 12-1

01.101

Page 603

Mar 01/98



DELAMINATED AREA

1 I CUT. BOND WITH RTV 60 SEALANT

ALL DIMENSIONS ARE IN INCHES

315T3125-23,-45,-56  
Insulation Blanket Assembly - Delamination Repair  
Figure 602

**71-11-56**

REPAIR 12-1

01.1

Page 604

Mar 01/98

ASSEMBLY

1. Materials

NOTE: Equivalent substitutes may be used.

- A. Adhesive -- Type 60 (Ref 20-50-12)  
-- Type 68 (Ref 20-50-12)  
-- RTV157 (Ref 20-60-04)
- B. Coating, Clear Skydrol Resistant -- 683-3-2 base, X-310A catalyst (Ref 20-60-02)
- C. Compound, Ablative -- Crown-Metro 64-C1-2 (Ref 20-60-04) (Refer to CMM 71-00-01 for mixing and curing instructions).
- D. Compound, Corrosion Preventive -- MIL-C-11796, Class 3 (Ref 20-60-04)
- E. Lockwire -- MS20995C32, MS20995C41, or MS20995C47
- F. Parting Agent -- Strippable vinyl coating 4A-183 (Ref 20-60-04) or coating consisting of one part by weight vinyl tubing, four parts by weight cyclohexanone, and one part by weight F20629 pigment.
- G. Primer -- BMS 10-11, type 1 (Ref 20-60-02)
- H. Sealant -- BMS 5-63C, Class B-4 (Ref 20-60-04)  
-- BMS 5-63 (Ref 20-60-04)

CAUTION: ONLY TITANIUM OR CORROSION RESISTANT STEEL FASTENERS SHALL BE USED WITH GRAPHITE COMPOSITES. SUBSTITUTION WITH ALUMINUM OR PLATED ALLOY STEEL FASTENERS IS NOT ALLOWED AS GALVANIC CORROSION WILL SHORTEN COMPONENT SERVICE LIFE.

2. Assembly

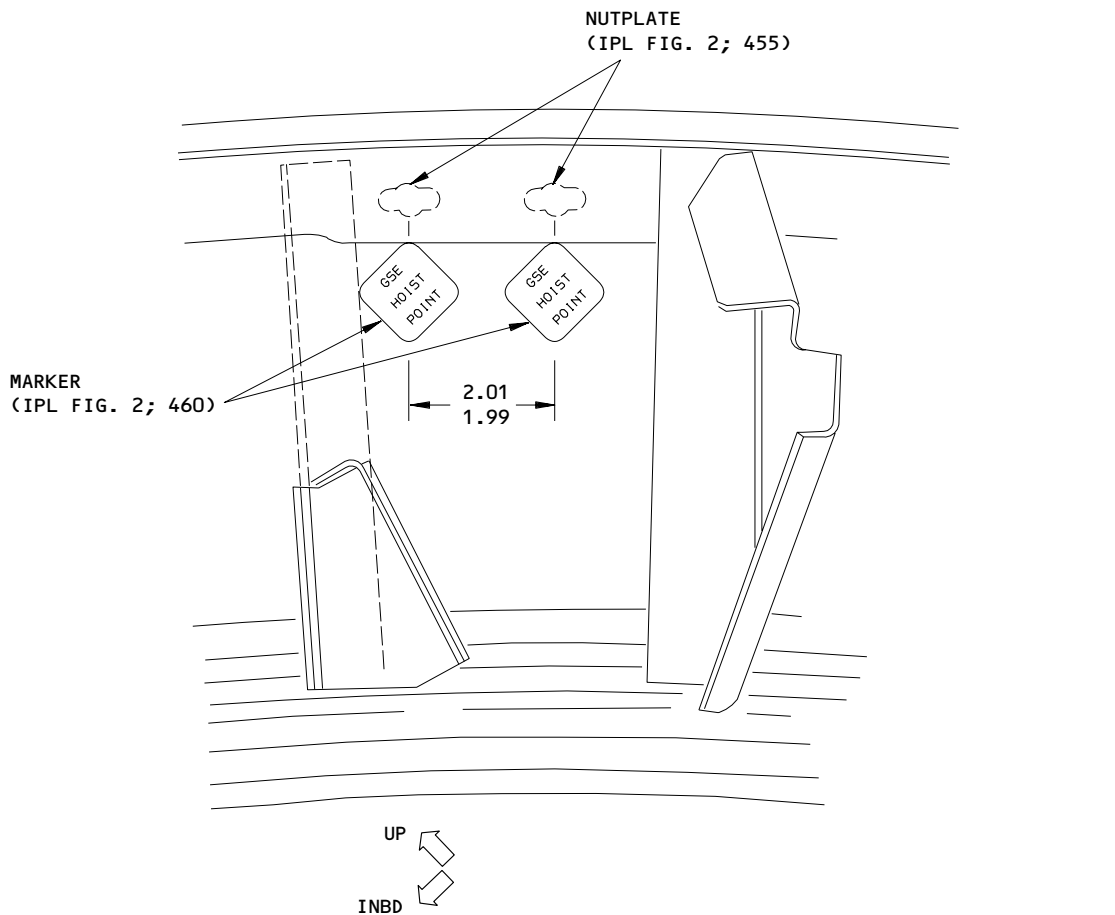
- A. Use standard industry practices for the assembly of this component plus the following procedures.
- B. Assembly of Torque Box Installation (IPL Fig. 2)
  - (1) Apply BMS 10-11, type 1 primer to nutplates (75, 150, 785, 765, 455, 535) omitting primer from threads, and assemble wet.

71-11-56

ASSEMBLY  
Page 701  
Dec 01/94

01.1

- (2) DELETED
- (3) Install shims (260, 265, 270) if and as required same thickness as removed (see Disassembly). Apply BMS 10-11, type 1 primer and install wet or dry.
- (4) Bond marker (460) per 20-50-05 as shown in Fig. 701. Seal edges using clear Skydrol resistant topcoating.



ALL DIMENSIONS ARE IN INCHES

Installation of Markers  
Figure 701

306787

**71-11-56**

01.1

ASSEMBLY  
Page 702  
Nov 01/04

C. Assembly of Duct Installation (IPL Fig. 3).

- (1) Adjust thickness of shims (15, 25, 35, 45, 55, 65, 80) to meet aerodynamic smoothness requirements shown in Fig. 706.
- (2) Apply BMS 5-63 sealant on both sides of shims (15, 25, 35, 45, 55, 65, 80, 217) and install.
- (3) Just prior to installing inlet duct assembly (140A) run a bead of BMS 5-63 sealant 0.15 inch high. Bead of sealant to be placed on inlet duct assembly as shown in Fig. 702.
- (4) Install fasteners (5A) with wet BMS 5-63 sealant under heads.
- (5) Fill channel groove of lip bond assembly (215A) using BMS 5-63 sealant per Fig. 702.
- (6) Seal around the following parts using BMS 5-63: inlet duct assembly (140A), inlet moldings (90, 95), bond assembly (215A), and wall assembly (544, 545, IPL Fig. 1) per Fig. 702.

D. Assembly of Cowl Assembly (1 thru 16, IPL Fig. 1).

- (1) Apply MIL-C-11796, class 3 corrosion preventive compound (F-19.09) on bolt (481, 490, IPL Fig. 1), (12, 15, IPL Fig. 18) shank and under bolthead (omit on threads) before installing.
- (2) Clean cascade flanges and mating surfaces of the aft ring mounting flange and forward torque box of any accumulated sealant.
- (3) Apply one coat of BMS 10-11 primer (F-20.20) to all cascade mating surfaces.
- (4) Install cascade assemblies (20, 23, 53, 56, 59, 62, 63, 64, 104, 107, 110, 113, 116, 119, 146, 149A, 179, 182, 208, 211, 238, 241, 244, 247, IPL Fig. 1), (36, 39, 69, 72, 75, 78, 81, 84, 111, 114, 117, 120, 123, 126, 153, 156, 186, 189, 219, 222, 225, 228, 264, 267, IPL Fig. 18).
  - (a) Locate all cascades on unit per Fig. 707 with all bolts loosely installed, one or two threads engaged.

71-11-56

ASSEMBLY  
Page 703  
Nov 01/04

01.1

- (b) Tighten bolts common to aft cascade support ring.
  - (c) On each cascade tighten bolt at best fit area first then bolts on either side.
  - (d) After all bolts are tight, back bolts off half (1/2) turn and retighten to 72-88 pound-inches.
- |
- (5) Use shim (563, IPL Fig. 1), (891, IPL Fig. 18) if and as required. Delaminate shims as required to effect 0.010 inch maximum pull-down. Maximum shim thickness 0.063 inch. Install with BMS 10-11, type 1 primer either wet or dry.
  - (6) Use shim (740, 742, 752, 754, 756) if and as required. Delaminate shims as required to effect 0.010 inch maximum pull-down. Maximum shim thickness 0.063 inch. Install with BMS 5-63 sealant applied on both sides.
- |
- (7) Use shims (564, 566, IPL Fig. 18), (636, 639, IPL Fig. 18) if and as required. 0.010 max gap prior to fastener installation. Apply sealant to both sides of shim.
  - (8) Apply removable faying surface seal of BMS 5-63 sealant between upper bifurcation installation (326, 327) and upper seal installation (436, 439). Apply parting agent to upper bifurcation installation.
- |
- (9) Apply a faying surface seal of BMS 5-95 between ring assembly (796, 798, IPL Fig. 1), (906, 909, IPL Fig. 18) and upper bifurcation.
- |
- (10) Install bolts (449, 451, 453, 455, 457, 474, 552G, IPL Fig. 1), (603, 606, 609, 612, 615, 882, 885, IPL Fig. 18) with wet BMS 5-95 sealant and apply sealant to countersink areas.

71-11-56

ASSEMBLY  
Page 704  
Nov 01/04

01.1

- (11) Apply removable faying surface seal of BMS 5-63 sealant between support assemblies (30A, 35, IPL Fig. 6) and upper bifurcation installations (568, 570, IPL Fig. 1). Apply parting agent to mating surface of bifurcation installation.
- (12) Just prior to installation of system installations (548) apply an intermediate pressure faying surface seal of BMS 5-63 sealant between flange of system installation and wall assemblies (544, 545). Also apply BMS 5-63 sealant between bracket assemblies and wall assembly.
- (13) Electrically bond screw (5, IPL Fig. 4), bolt (15, IPL Fig. 4), and jumper (25, IPL Fig. 4) per 20-11-03, method CM 1. The resistance value shall be 1.0 milliohms.
- (14) Pot and bond gaskets (520, IPL Fig. 1) using type 68 adhesive per 20-50-12, flush with outer skin.
- (15) Apply faying surface seal of BMS 5-63 sealant between duct assemblies (538, 540) and wall assemblies (544, 545). Center duct assembly in cutout to within 0.01 inch.
- (16) Install shims (512A) at bolt locations as required to meet flushness requirements of Fig. 706.
- (17) Fill gaps 0.05 inch or greater between wall assemblies (544, 545) and duct assemblies (538, 540) using BMS 5-63 sealant.
- (18) Bond end joints of seals (10 thru 29A, IPL Fig. 6) using type 60 adhesive per 20-50-12.
- (19) Seal open areas and fill gaps in seal installations (670, 672, IPL Fig. 1) using BMS 5-63C, class B-4.

E. Installation of Seal Installation (IPL Fig. 8)

- (1) Squeeze or drive rivet (90) with low force.
- (2) Cut seal (45) to size and bond in place using type 68 adhesive per 20-50-12.
- (3) Bond plug (115) to seal (120).
- (4) Trim seal (20) and seal assembly (185, 190) as required to match structure.
- (5) Trim seal assembly (105, 110) to match adjacent seals.

**71-11-56**

ASSEMBLY  
Page 705  
Nov 01/04

01.1

- (6) Bond the following to contacting structure using type 68 or 60 adhesive per 20-50-12: Cover (70), seals (20, 25, 30, 35, 45, 55, 65, 73, 80, 85, 125, 130, 170, 175, 200, 205), and seal assemblies (105, 110, 135, 140, 185, 190).
- (7) Fillet seal any openings between seal (75) and structure using type 68 or 60 adhesive per 20-50-12.

**CAUTION:** DO NOT CLOSE OPENING IN SEAL ASSEMBLY (105, 110) WHEN BONDING TO ADJACENT SEAL. THIS IS A VENT FOR THE BULB SEAL TO ALLOW FOR CHANGES IN AIR PRESSURE.

- (8) Apply faying surface seal of BMS 5-63 sealant between seal assemblies (135, 140) and contacting structure.
- (9) Install bolt (145) using wet BMS 5-63 sealant under bolthead and fillet seal collar (150).
- (10) Apply fillet bond using type 68 adhesive per 20-50-12 between seal (80) and seal assemblies (135, 140). Apply similar fillet bond as shown in Fig. 703.

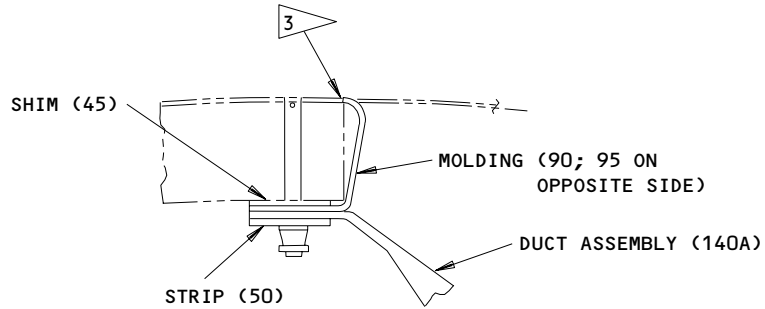
**71-11-56**

ASSEMBLY  
Page 706  
Mar 01/97

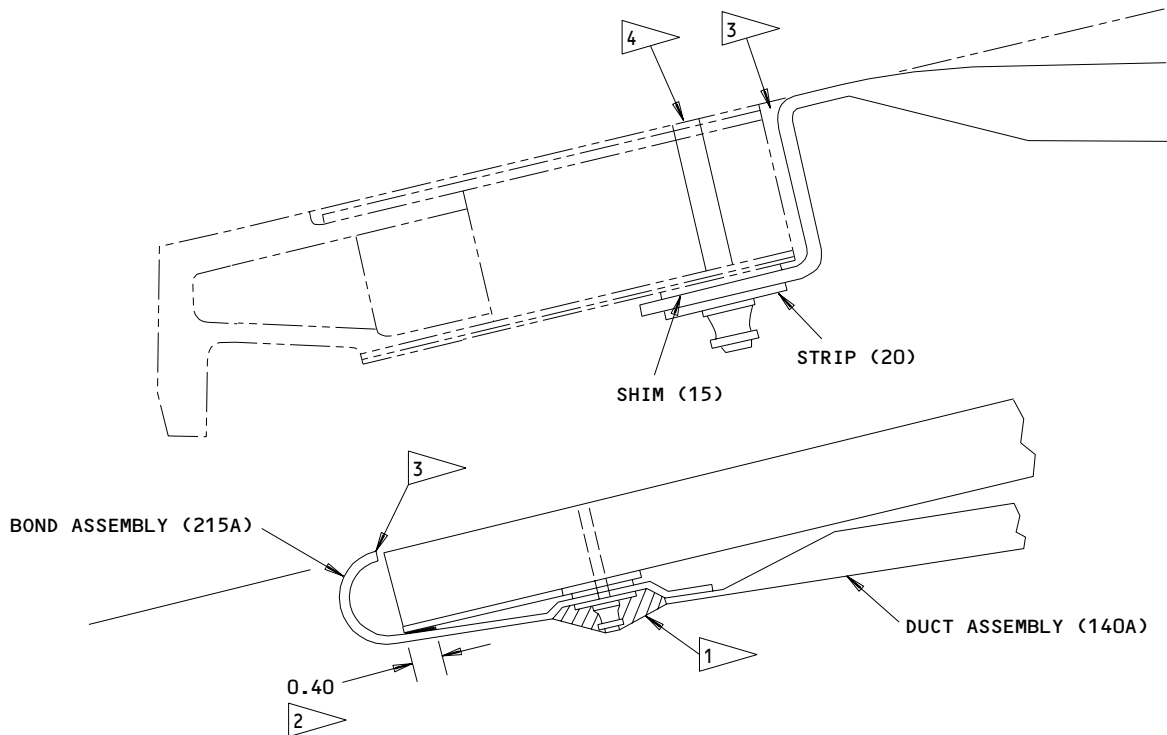
01.1



**BOEING**  
COMPONENT  
MAINTENANCE MANUAL



(TYPICAL)  
(BLANKET ASSEMBLY (143) NOT SHOWN FOR CLARITY)



- 1 FILL CHANNEL GROOVE USING BMS 5-63 SEALANT
- 2 JUST PRIOR TO INSTALLING DUCT, RUN A BEAD USING BMS 5-63 SEALANT 0.15 INCH HIGH ON DUCT IN THIS ZONE
- 3 APPLY BMS 5-63 AS FOLLOWS:  
FAN SURFACE SEAL BETWEEN DUCT ASSY (140A) AND BOND ASSEMBLY (215), BETWEEN MOLDING (90,95) AND WALL ASSEMBLY (544,545 IPL FIG. 1). APPLY A FLUSH FILLET SEAL BETWEEN DUCT ASSEMBLY (140A) AND MOLDING (90,95) ON INSIDE OF DUCT. FILL GAP SMOOTH BETWEEN DUCT ASSEMBLY (140A) AND WALL ASSEMBLY (544A,544B, IPL FIG. 1)
- 4 INSTALL FASTENERS WITH WET BMS 5-63 SEALANT UNDER HEADS

ITEM NUMBERS REFER TO IPL FIG. 3  
ALL DIMENSIONS ARE IN INCHES

Installation of Bond Assembly  
Figure 702

**71-11-56**

ASSEMBLY  
Page 707  
Mar 01/97

01.1

F. Install all fasteners exposed to airflow as follows:

- (1) Hi-Lok fasteners and lockbolt head protrusions are to be:
  - (a) 90% must be flush within +0.005 to -0.003 inch.
  - (b) 10% must be flush within +0.007 to -0.005 inch.
- (2) All countersunk screws and bolts shall have head protrusions within +0.005 to -0.010 inch.
- (3) Shear head rivets (BACR15CE) are to be driven as follows:
  - (a) 90% must be flush within +0.005 to -0.000 inch.
  - (b) 10% may be flush within +0.007 to -0.005 inch.
- (4) All flush aluminum alloy rivets shall be driven with head protrusion within +0.007 to -0.001 inch.

G. Install all fasteners passing through composite panels with wet BMS 5-63 sealant under heads and fillet seal collars.

H. Apply Crown-Metro 64-C1-2 ablative coating as follows:

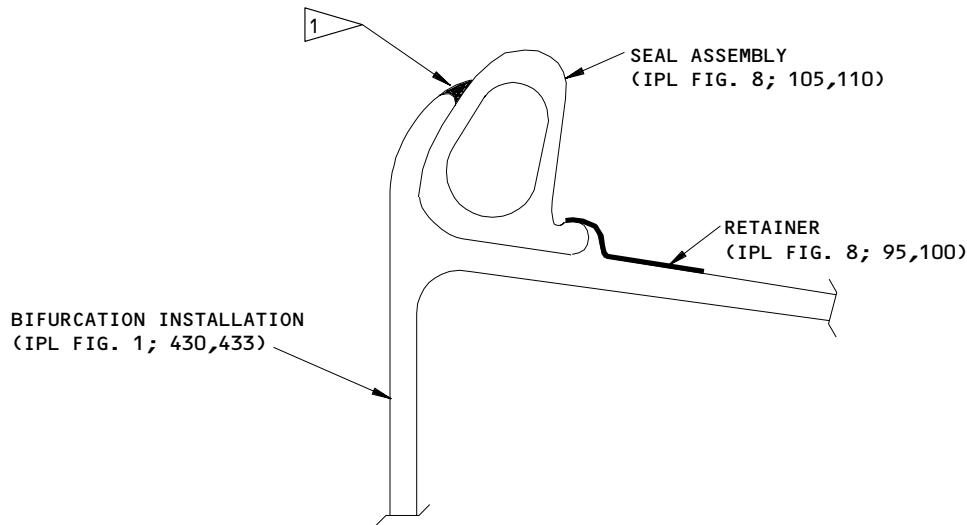
CAUTION: DO NOT COVER DRAIN HOLE.

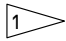
- (1) Apply to zone ventilation system installations (1, IPL Fig. 4) per Fig. 704.

**71-11-56**

ASSEMBLY  
Page 708  
Mar 01/97

01.1



 FILLET BOND SEAL ASSEMBLY TO STRUCTURE USING  
TYPE 68 ADHESIVE PER 20-50-12

Bonding of Seal  
Figure 703

I. Apply Crown-Metro 64-C1-2 ablative coating to fully assembled fan duct cowl per Fig. 705 and the following:

- (1) Application of Crown-Metro 64-C1-2 in restricted areas:
  - (a) Components mating within 3/16 inch after application of Crown-Metro 64-C1-2 may have close mating areas filled with Crown-Metro 64-C1-2.
  - (b) Deep narrow pockets may also be filled.
- (2) Application of Crown-Metro 64-C1-2 in areas of system attachments: ducts, hangers, clips, etc.
  - (a) In the case of precoated systems overspray attachments to effect a continuous layer of Crown-Metro 64-C1-2.
  - (b) In the case of uncoated systems overspray 1-2 inches beyond honeycomb base structure.
  - (c) The thickness of Crown-Metro 64-C1-2 shall be the precoated thickness or the typical thickness in the area.
- (3) Application of Crown-Metro 64-C1-2 on inside corners may have up to three times the typical thickness.

**71-11-56**

ASSEMBLY  
Page 709  
Nov 01/04

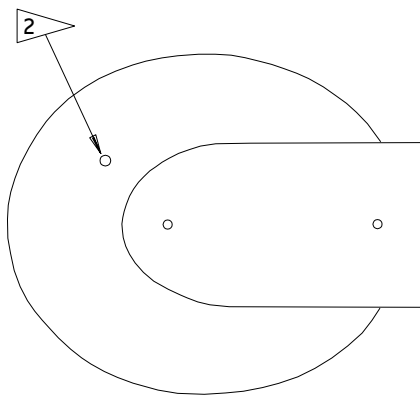
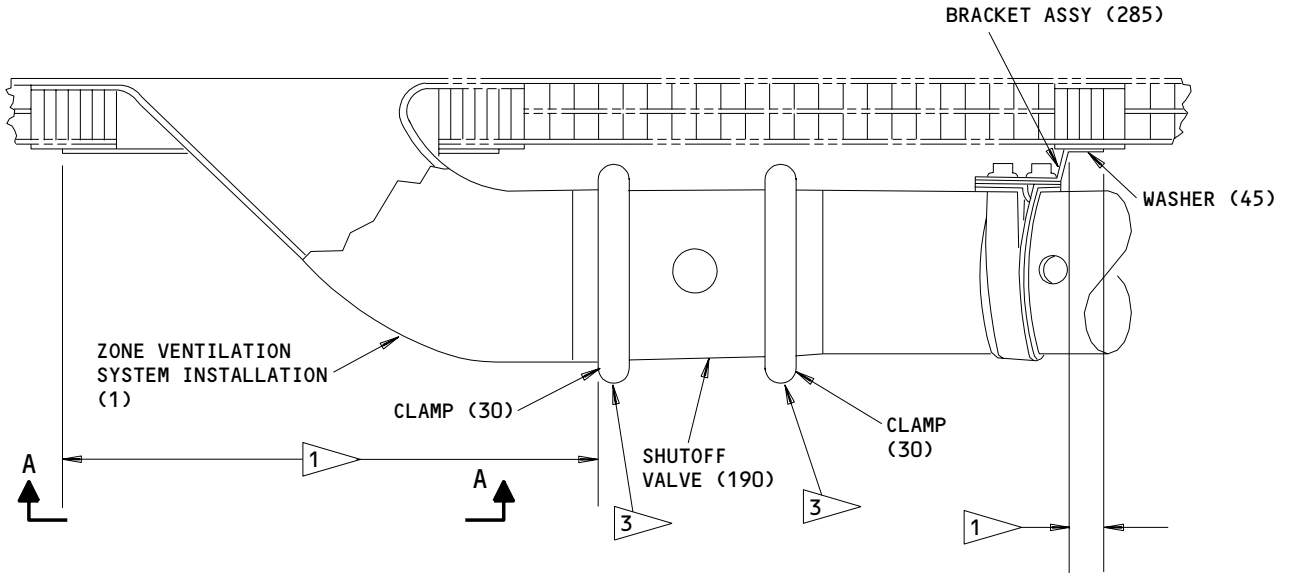
01.1

- (4) For Grade B (reference 71-00-01) topcoats only:
  - (a) Do not cover fastener collars with Kevlar mat unless the thickness of the Crown-Metro is equal to or more than the collar length and a reasonably smooth appearance will result.
  - (b) It is not necessary to put Kevlar mat on fastener lines if the width of the area not covered by the Kevlar mat is not more than 1.25 inches.
  - (c) Areas smaller than 1.25 X 1.25 inches are not necessary to cover with Kevlar mat.
- (5) It is optional and preferred to apply a Dow Corning DC 92-010 topcoat as specified in CMM 71-00-01 as an alternative to a 0.03-inch thick Grade B topcoat.

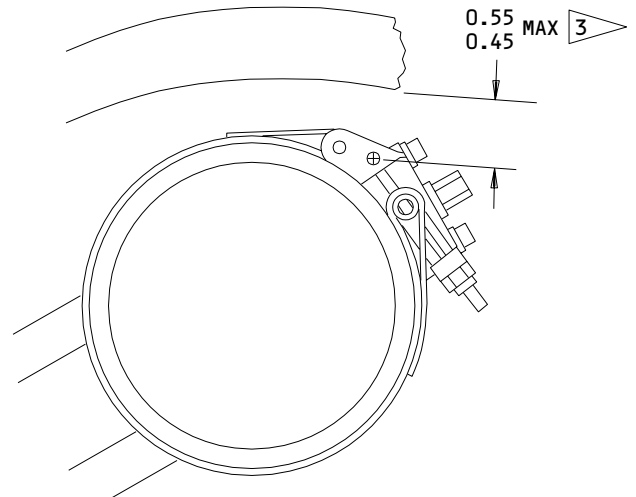
**71-11-56**

ASSEMBLY  
Page 710  
Mar 01/97

01.101



A-A



- 1 APPLY CROWN-METRO TO COMPLETELY COVER ZONE VENTILATION SYSTEM INSTALLATION (1) AND FLANGE OF BRACKET ASSY (285), INCLUDING WASHERS (45), 1/8-INCH THICK AS SHOWN
- 2 **CAUTION:** DO NOT COVER DRAIN HOLE WITH CROWN-METRO 64-C1-2.
- 3 INSTALL CLAMP WITH T-BOLT THREAD EXTENDING OUTBD AND DOWN. ROTATE CLAMPS ON FLANGES TO PLACE CROSS-HEAD OF T-BOLT WITHIN 0.50 (MAX) FROM INSIDE MOLD LINE

ALL ITEM NUMBERS REFER TO IPL FIG. 4

Application of Ablative Coating  
Figure 704

**71-11-56**

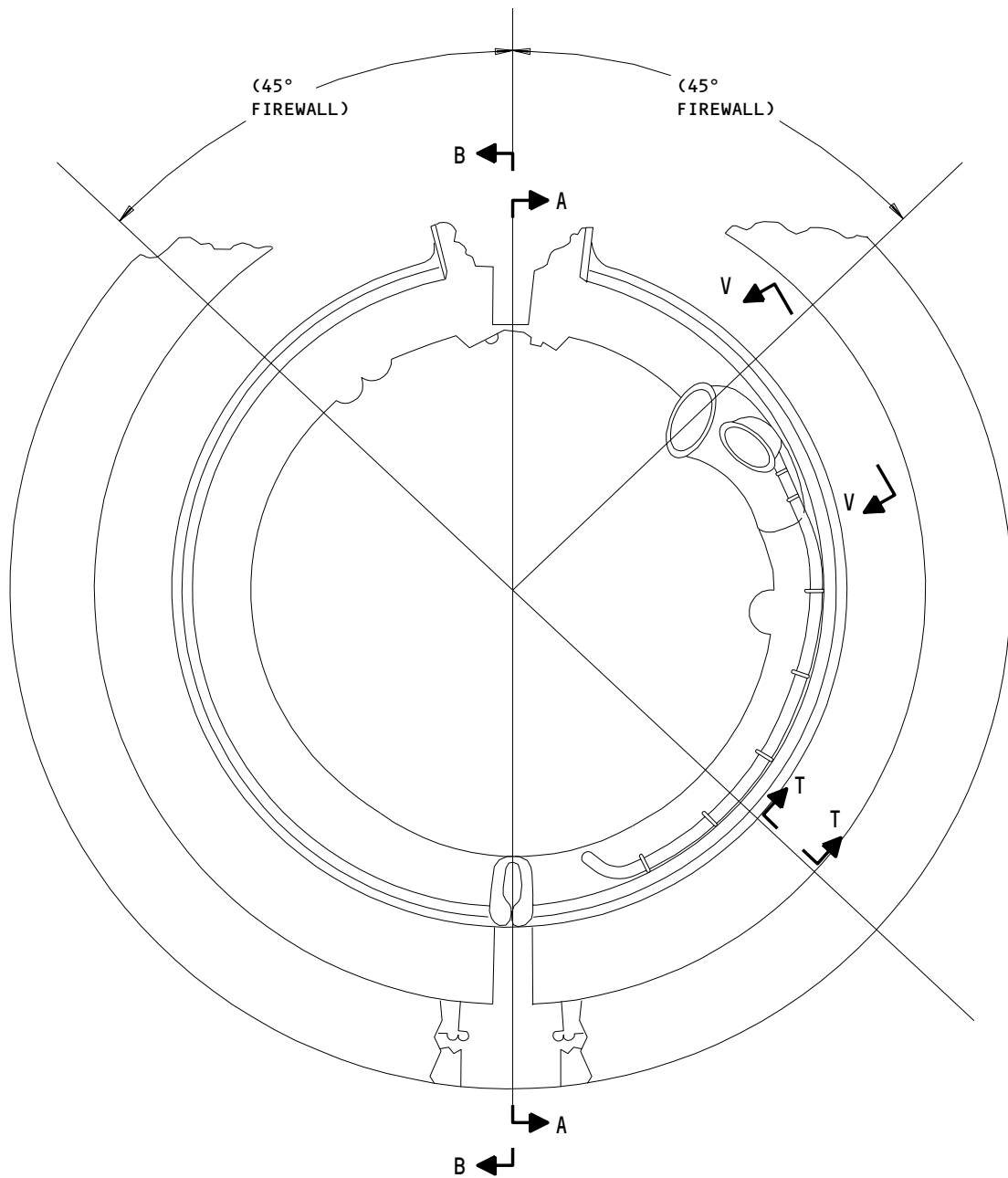
ASSEMBLY  
Page 711  
Nov 01/04

- J. See Fig. 706 for aerodynamic smoothness requirements.
- K. Fill all fixed skin gaps flush with BMS 5-79 or BMS 5-95 sealant.

**71-11-56**

ASSEMBLY  
Page 712  
Mar 01/97

01.1



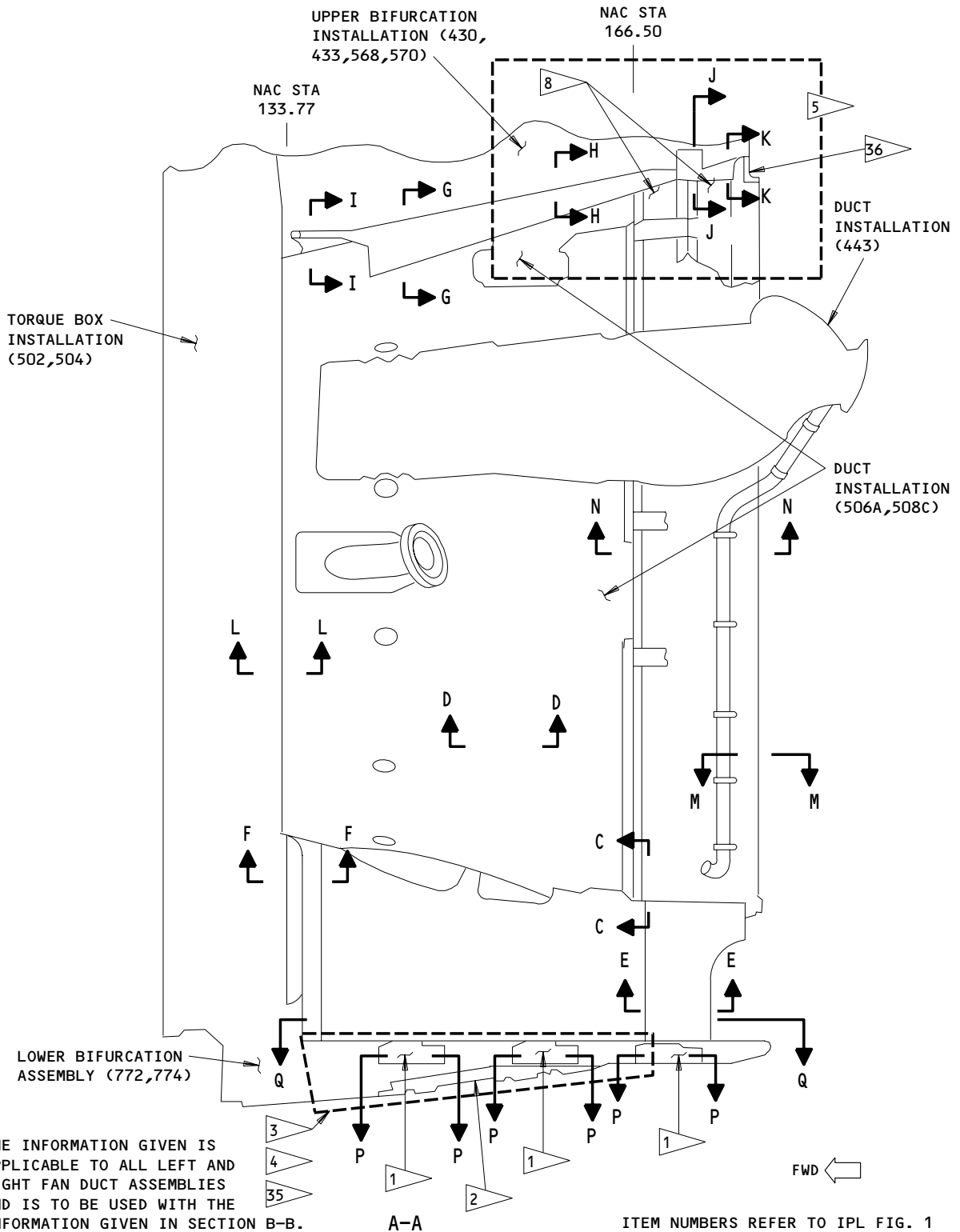
**NOTE:** THE INFORMATION GIVEN  
IS APPLICABLE TO ALL  
LEFT AND RIGHT FAN DUCT  
COWL ASSEMBLIES.

Application of Crown-Metro Insulating and Ablative Coating  
Figure 705 (Sheet 1)

**71-11-56**

ASSEMBLY  
Page 713  
Mar 01/97

01.1



Application of Crown-Metro Insulating and Ablative Coating  
 Figure 705 (Sheet 2)

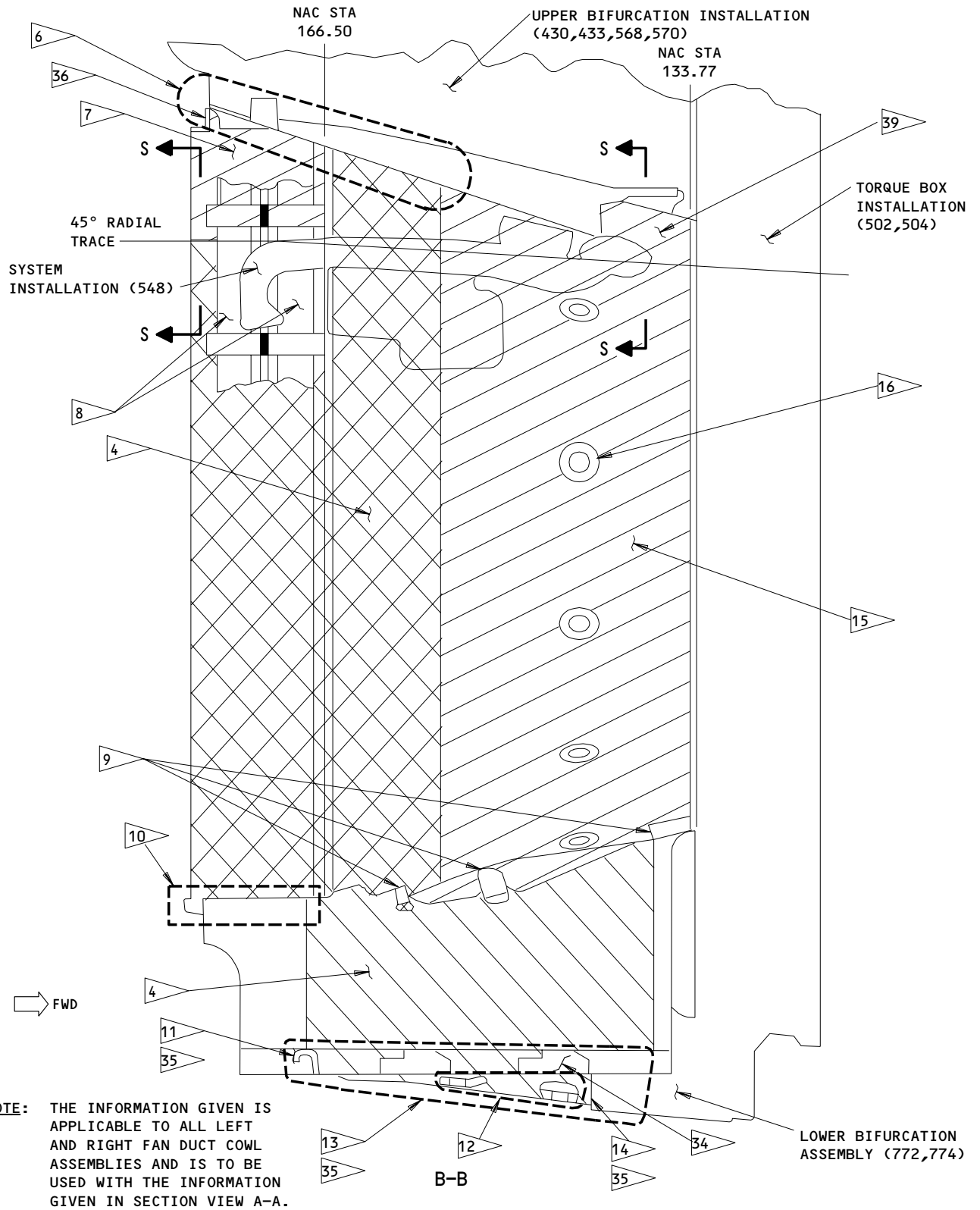
71-11-56

ASSEMBLY  
 Page 714  
 Mar 01/97

01.1



**BOEING**  
COMPONENT  
MAINTENANCE MANUAL



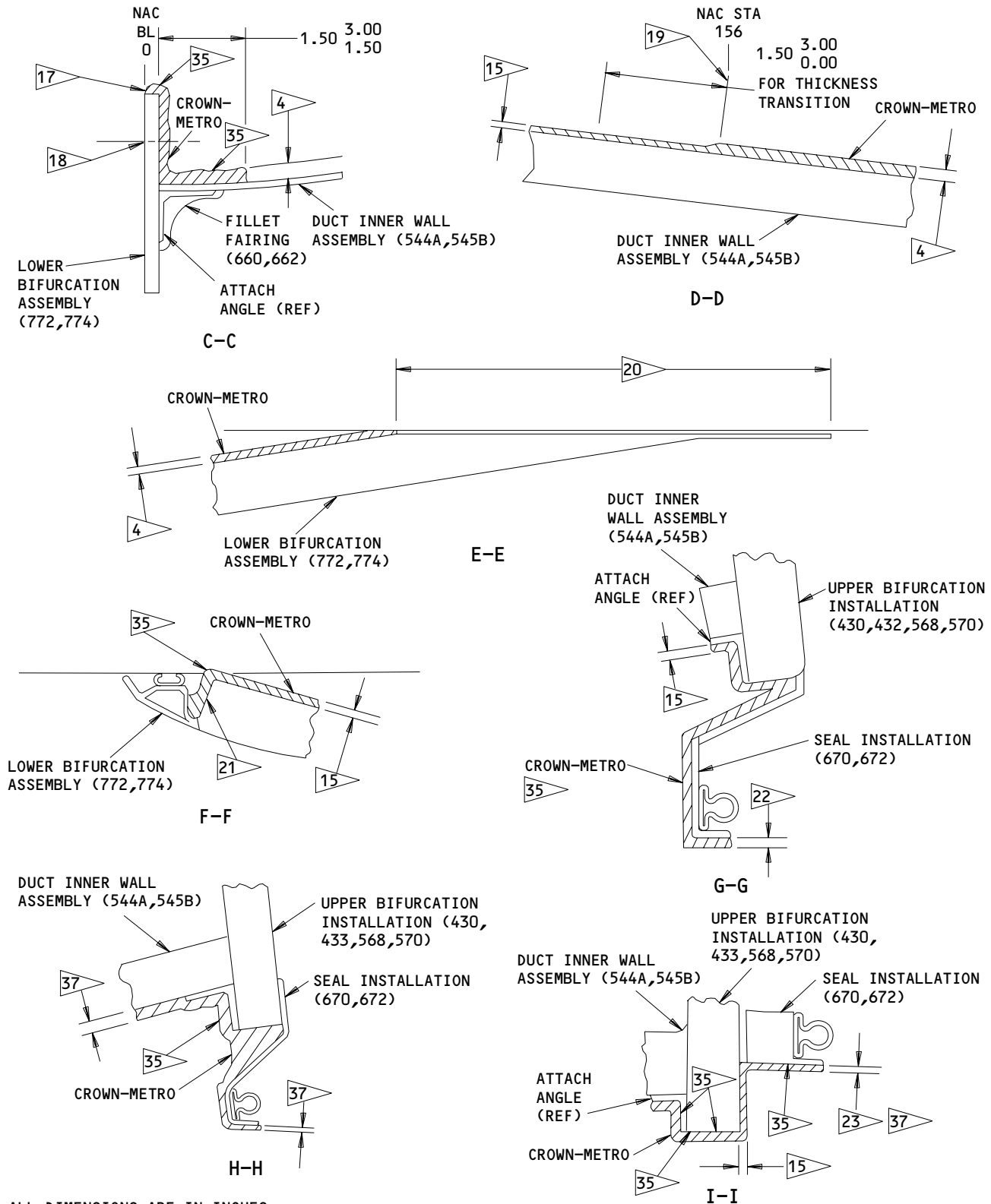
**NOTE:** THE INFORMATION GIVEN IS APPLICABLE TO ALL LEFT AND RIGHT FAN DUCT COWL ASSEMBLIES AND IS TO BE USED WITH THE INFORMATION GIVEN IN SECTION VIEW A-A.

Application of Crown-Metro Insulating and Ablative Coating  
Figure 705 (Sheet 3)

**71-11-56**

ASSEMBLY  
Page 715  
Mar 01/97

01.1



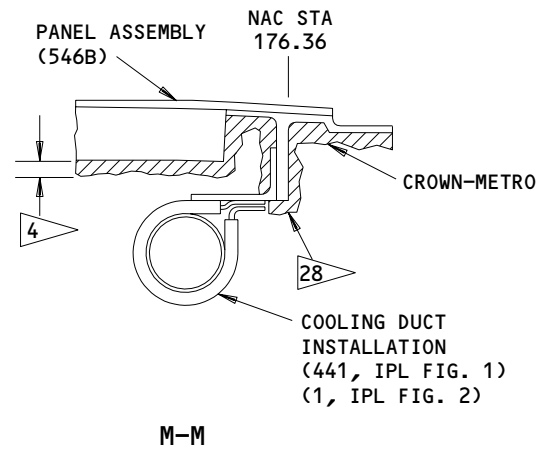
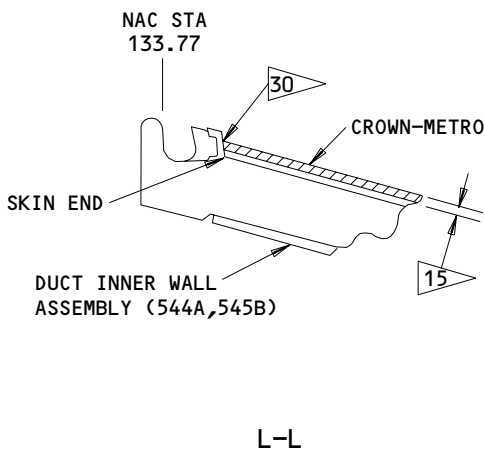
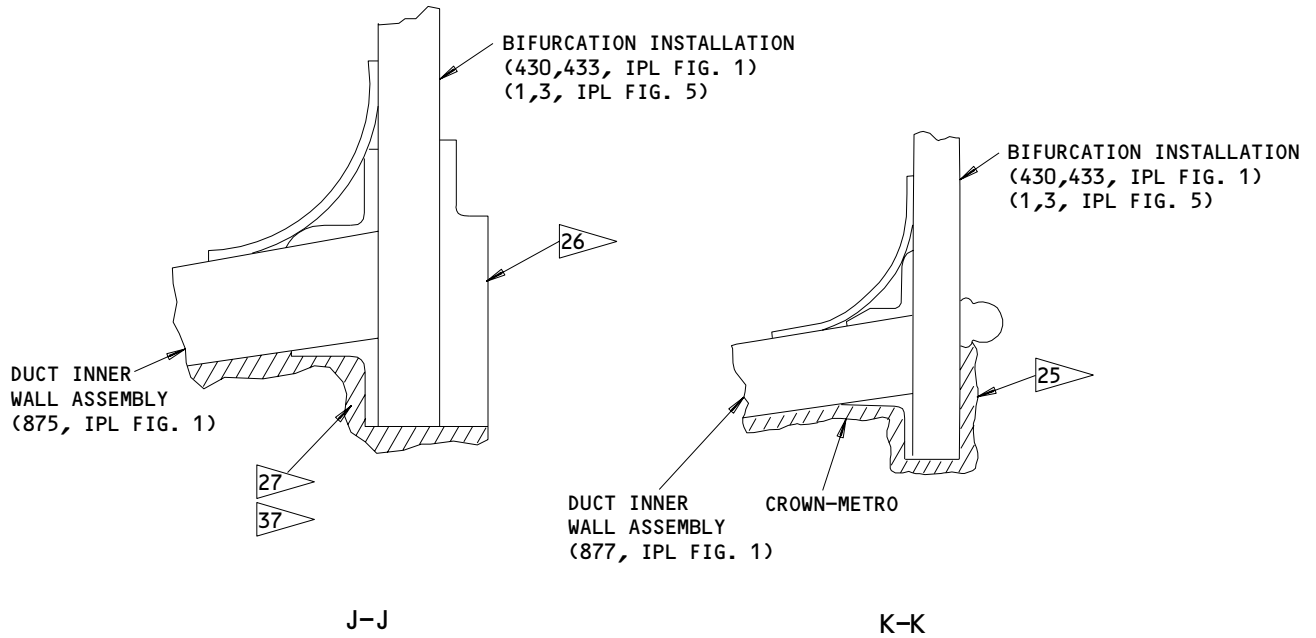
ALL DIMENSIONS ARE IN INCHES

Application of Crown-Metro Insulating and Ablative Coating  
 Figure 705 (Sheet 4)

**71-11-56**

ASSEMBLY  
 Page 716  
 Mar 01/97

01.1

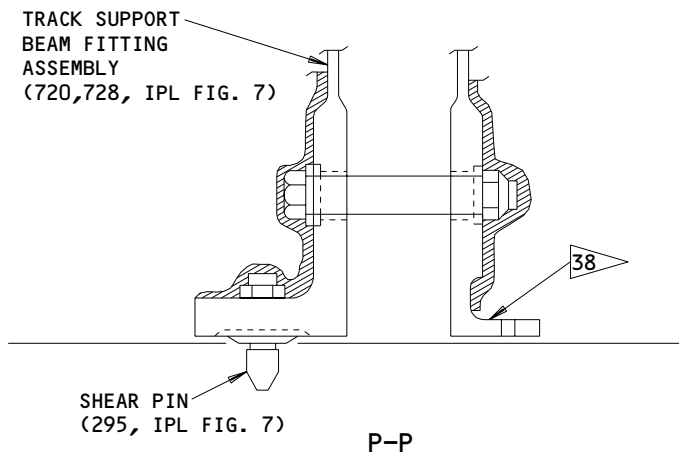
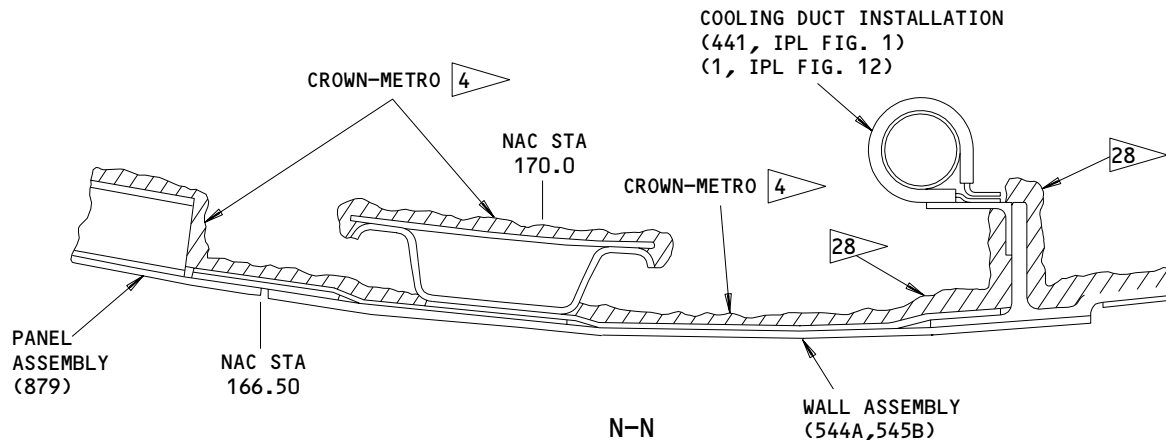


Application of Crown-Metro Insulating and Ablative Coating  
Figure 705 (Sheet 5)

**71-11-56**

ASSEMBLY  
Page 717  
Mar 01/97

01.1



ALL DIMENSIONS ARE IN INCHES

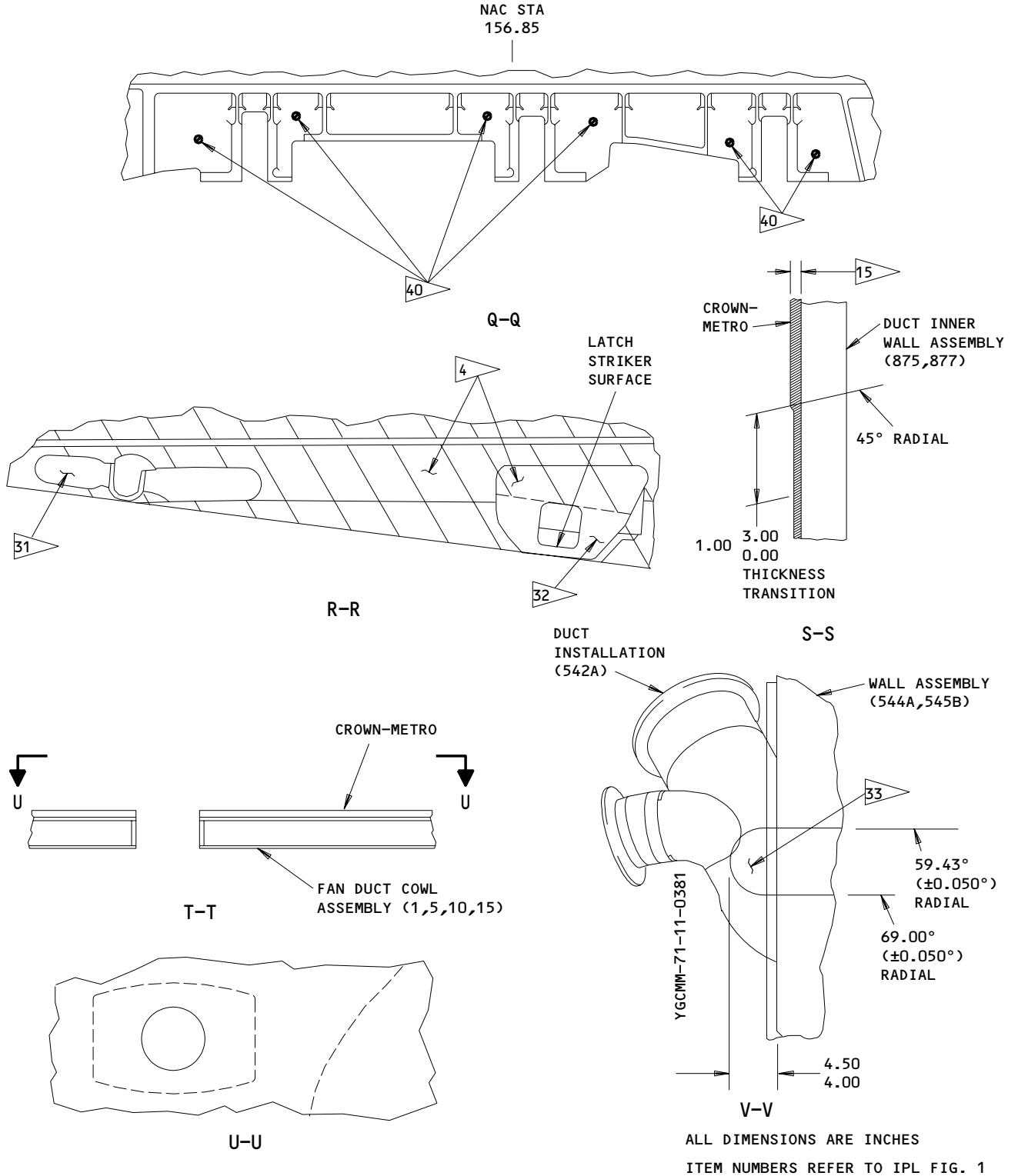
Application of Crown-Metro Insulating and Ablative Coating  
 Figure 705 (Sheet 6)

**71-11-56**

ASSEMBLY  
 Page 718  
 Mar 01/97

01.1

307271



Application of Crown-Metro Insulating and Ablative Coating  
Figure 705 (Sheet 7)

**71-11-56**

ASSEMBLY  
Page 719  
Mar 01/97

01.1

**NOTE:** ITEM NUMBERS APPLY TO IPL FIG. 1 UNLESS OTHERWISE STATED.

- 1 DO NOT APPLY CROWN-METRO TO MATING FACES OF LATCHES AND SHEAR PIN MOUNTINGS OR MASK AREA TO MATCH ON OPPOSITE HAND COWL ASSYS. CROWN-METRO WILL NOT BE PRESENT ON LATCH HANDLES AND MECHANISM.
- 2 DO NOT APPLY CROWN-METRO TO EXHAUST DOOR ASSY INCLUDING BOTH HINGES (BOTH HINGE HALVES OF EACH HINGE) AND THEIR ATTACHING FASTENERS. DO APPLY TOPCOAT TO HINGE HALVES AND FASTENERS THAT ARE ATTACHED TO THE LOWER BIFURCATION BEAM STRUCTURE.
- 3 APPLY CROWN-METRO TO ALL EXPOSED SURFACES IN THIS AREA AS INDICATED ON VIEW B-B EXCEPT THOSE EXCLUDED IN THIS VIEW.
- 4 0.12-0.14 + 0.03 TOPCOAT
- 5 APPLY CROWN-METRO TO ALL EXPOSED SURFACES IN THIS AREA (SAME AS AREA DEFINED AS UPPER 45° FIRE BARRIER. SEE VIEW B-B.) PER SECTION CUTS INDICATED, THE ONLY EXCEPTION BEING THE SURGE BLEED NO. 1 DUCT ASSY.
- 6 AREA OF THICKNESS EXCEPTION
- 7 CROWN-METRO THIS AREA OF UPPER 45° FIRE-PROOF BARRIER. COVER ALL EXPOSED SURFACES INCLUDING THOSE OF TIE CLIPS AND INTERCOSTALS.
- 8 STEEL SKIN DO NOT APPLY CROWN-METRO
- 9 DO NOT APPLY CROWN-METRO TO MATING FACES OF COMPRESSION PADS.
- 10 SEE VIEW C-C FOR COVERAGE IN THIS AREA.
- 11 APPLY CROWN-METRO TO FORWARD SURFACES OF LATCH AND SHEAR PIN MOUNTING. DO NOT APPLY AFT OF MOUNTING.
- 12 SEE VIEW R-R
- 13 APPLY CROWN-METRO TO ALL EXPOSED SURFACES IN AREA INDICATED. DO NOT PLUG OR OBSTRUCT DRAIN PATHS.
- 14 APPLY CROWN-METRO TO AFT AIDE OF INTERCOSTAL. DO NOT APPLY FWD OF INTERCOSTAL.
- 15 0.08-0.10 + 0.03 TOPCOAT
- 16 MASK OFF SUITABLE AREA FOR INSTALLATION OF LINK FITTING ASSEMBLIES ON NEXT HIGHER ASSEMBLY (SIX LOCATIONS).
- 17 MAINTAIN THICKNESS ALONG TOP OF PANEL AFT OF NAC STA 166.5 TO END OF PANEL AS SHOWN.
- 18 MASK OFF APPROX 0.62 DIA AREA CENTERED AT MOUNTING HOLES (2) FOR COMPRESSION PAD FASTENERS.
- 19 APPROXIMATELY 33.5 INCHES FROM FORWARD END OF COWL ASSEMBLY
- 20 DO NOT APPLY CROWN-METRO TO FLAT AREA.
- 21 END CROWN-METRO BETWEEN SEAL RETAINER AND HONEYCOMB CORE.
- 22 0.23-0.27 + 0.03 TOPCOAT; TYPICAL THICKNESS ON SEAL SUPPORT
- 23 DO NOT APPLY CROWN-METRO BEYOND THE END OF THE PROTRUDING FLANGE BELOW SEAL.
- 24 0.06-0.07 + 0.03 TOPCOAT
- 25 AFT OF NAC STA 166.5 0.23-0.27 + 0.03 TOPCOAT CONTINUES AFT OVER BOTTOM PANEL AS SHOWN AND ON SEAL SUPPORT
- 26 COMPRESSION PAD FITTING BREAKS SEAL. APPLY CROWN-METRO ON BOTTOM OF PAD FITTING.
- 27 APPLY CROWN-METRO TO ALL EXPOSED SURFACES OF TIE CLIPS, FRAMES AND INTERCOSTALS IN THIS AREA.
- 28 0.16-0.19 + 0.03 TOPCOAT
- 29 END OF 0.12-0.14 INCH THICKNESS AS SHOWN IN VIEW N-N (0.06-0.07 INCH THICKNESS OF CROWN-METRO FOR FIREWALL IN THIS AREA, EXCEPT AT FRAMES).
- 30 END CROWN-METRO BETWEEN AFT SIDE OF INTEGRAL SEAL RETAINER AND FORWARD OF SKINS.

Application of Crown-Metro Insulating and Ablative Coating  
Figure 705 (Sheet 8)

71-11-56

ASSEMBLY  
Page 720  
Mar 01/97

01.1

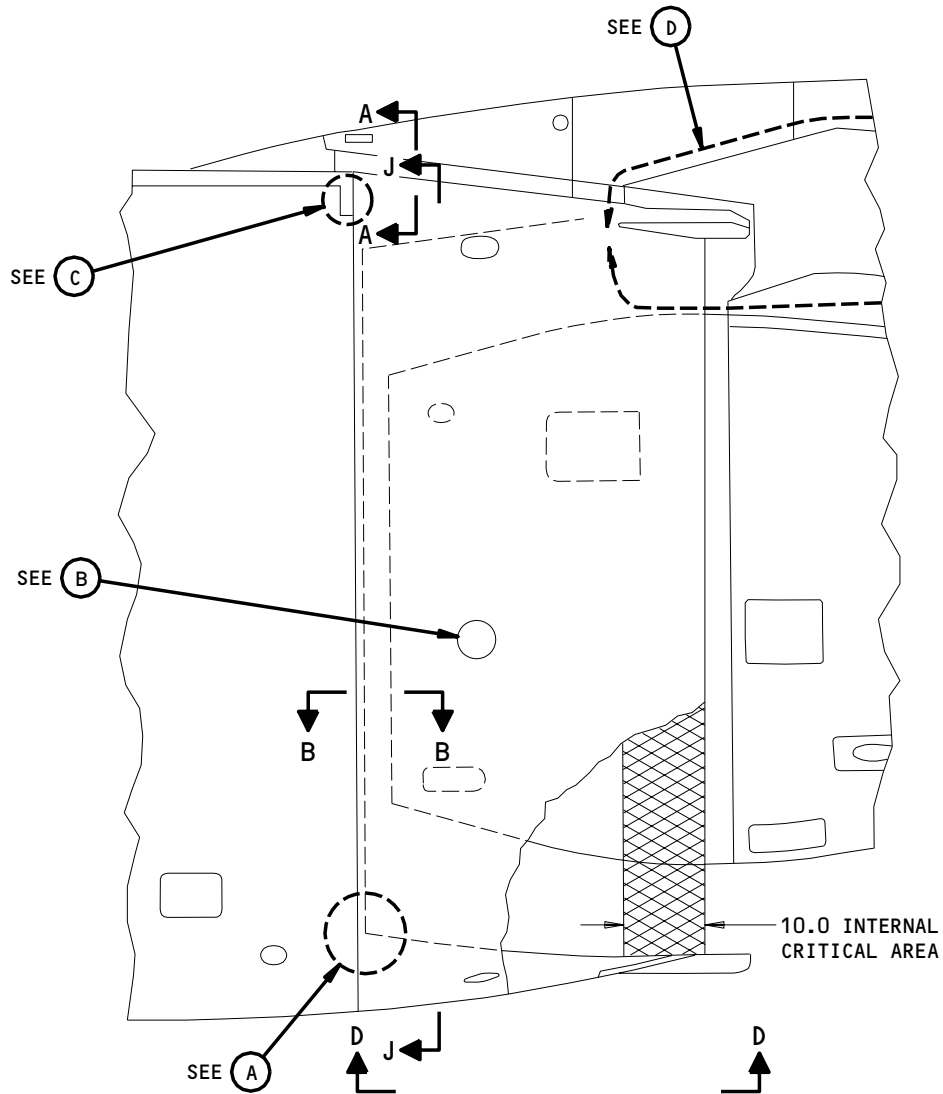
- 31 > DO NOT APPLY CROWN-METRO OR TOPCOAT TO AFT EXHAUST DOOR LATCH KEEPER.
- 32 > DO NOT APPLY CROWN-METRO TO EXHAUST DOOR LATCH KEEPER BELOW A LINE MARKED BY THE TOP OF THE KEEPER RECESS AS SHOWN. DO APPLY TOPCOAT ON THESE SURFACES, EXCEPT FOR LATCH STRIKER SURFACE.
- 33 > OMIT CROWN-METRO THIS AREA AFT OF REAR FRAME ON INNER WALL ASSY (875,877).
- 34 > DO NOT APPLY CROWN-METRO TO AREA MATCHING THE MATING FACES OF THE LATCH AND SHEAR PIN MOUNTINGS.
- 35 > FOR GRADE B TOPCOATS ONLY, IT IS OPTIONAL TO OMIT NON-WOVEN KEVLAR 49 MAT IN THESE AREAS.
- 36 > DO NOT APPLY CROWN-METRO TO RUB STRIPS 315T3002-137,-138 (REF).
- 37 > 0.23-0.27 + 0.03 TOPCOAT
- 38 > DO NOT APPLY CROWN-METRO TO THIS SURFACE WHERE SHIM ATTACH FASTENERS INSTALL.
- 39 > CROWN-METRO THIS AREA OF UPPER 45° FIRE-PROOF BARRIER. COVER ALL EXPOSED SURFACES. 0.23-0.27 + 0.03 TOPCOAT EXCEPT THAT THICKNESS MAY BE REDUCED AT THE ENDS OF PROTRUDING FASTENERS TO 0.08 MINIMUM.
- 40 > DO NOT APPLY CROWN-METRO TO THE POCKETS OF THE HINGE BEAM. OVERSPRAY IS PERMISSIBLE.

Application of Crown-Metro Insulating and Ablative Coating  
Figure 705 (Sheet 9)

**71-11-56**

ASSEMBLY  
Page 721  
Mar 01/97

01.1



ALL DIMENSIONS ARE IN INCHES

Aerodynamic Smoothness Requirements  
Figure 706 (Sheet 1)

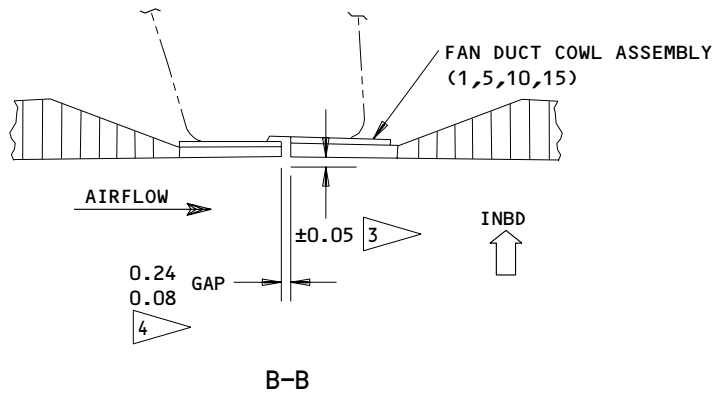
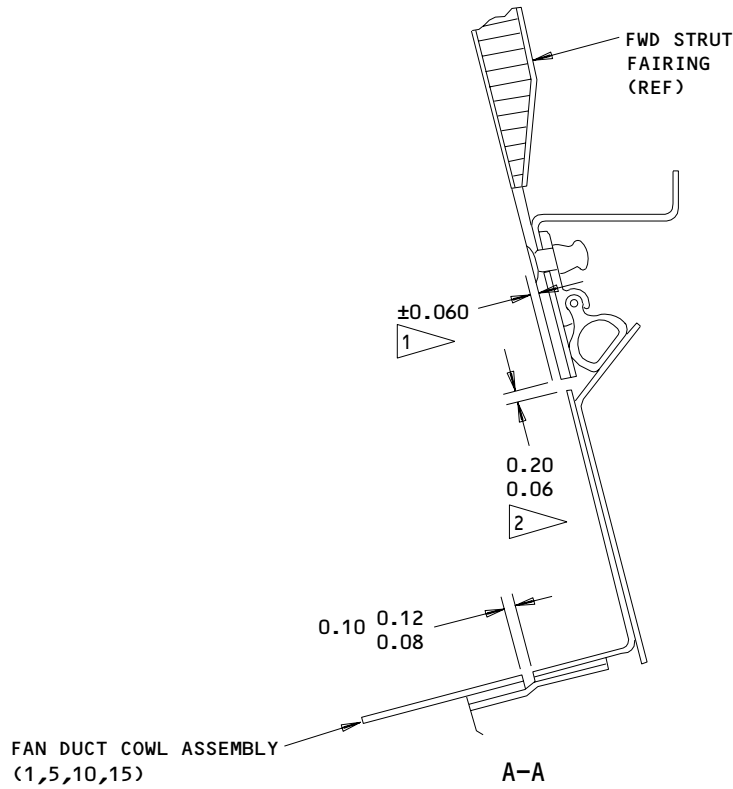
**71-11-56**

ASSEMBLY  
Page 722  
Mar 01/97

01.1



**BOEING**  
COMPONENT  
MAINTENANCE MANUAL



1 ±0.120 STEP PERMISSIBLE FOR MAX OF 25% OF LENGTH

2 0.24 ALLOWED OVER 10% OF THE FORE AND AFT LENGTH  
0.06

3 +0.05 ALLOWED OVER 15% OF THE PERIPHERY  
-0.09

4 0.30 ALLOWED OVER 10% OF THE PERIPHERY  
0.08

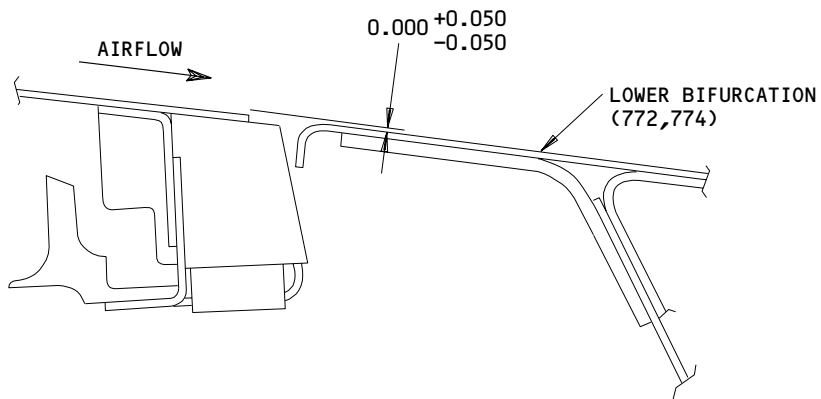
ALL DIMENSIONS ARE IN INCHES

Aerodynamic Smoothness Requirements  
Figure 706 (Sheet 2)

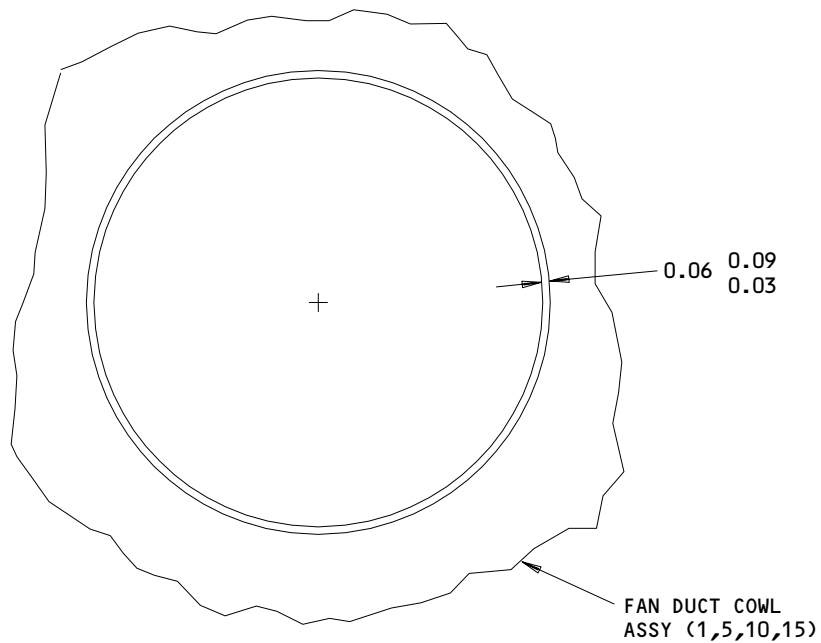
**71-11-56**

ASSEMBLY  
Page 723  
Mar 01/97

01.1



(A)



TYPICAL, 3 PLACES EACH SIDE

(B)

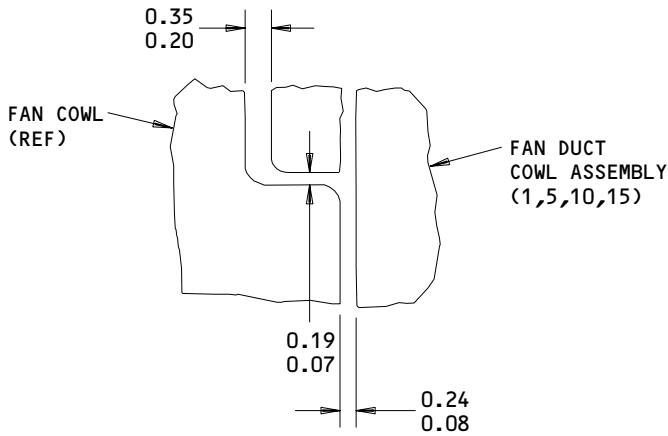
ALL DIMENSIONS ARE IN INCHES

Aerodynamic Smoothness Requirements  
 Figure 706 (Sheet 3)

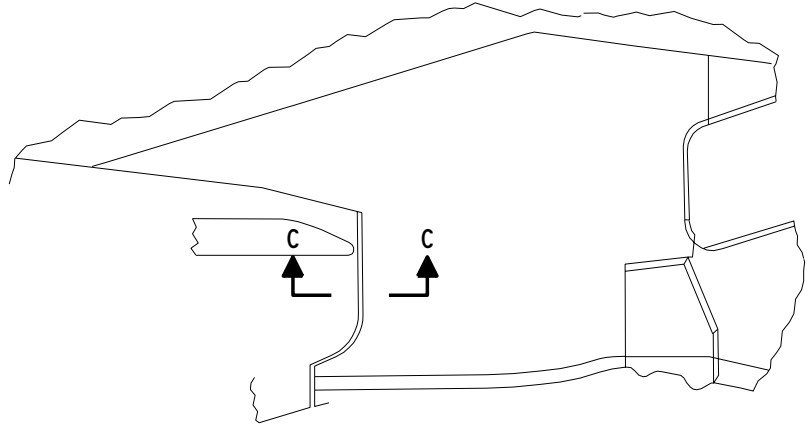
**71-11-56**

ASSEMBLY  
 Page 724  
 Mar 01/97

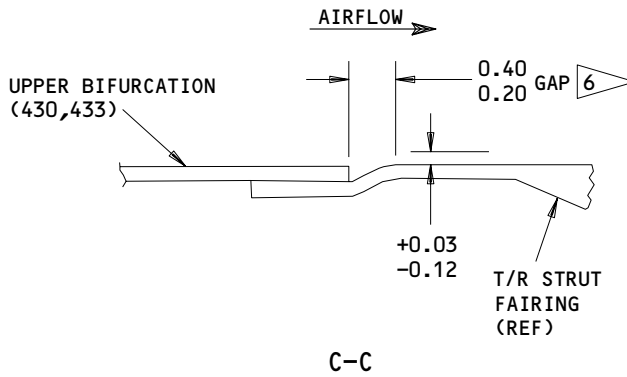
01.1



(C)



(D)



5 +0.05  
-0.12 ALLOWED OVER 10% OF THE PERIPHERY

6 0.42  
0.18 ALLOWED OVER 10% OF THE PERIPHERY

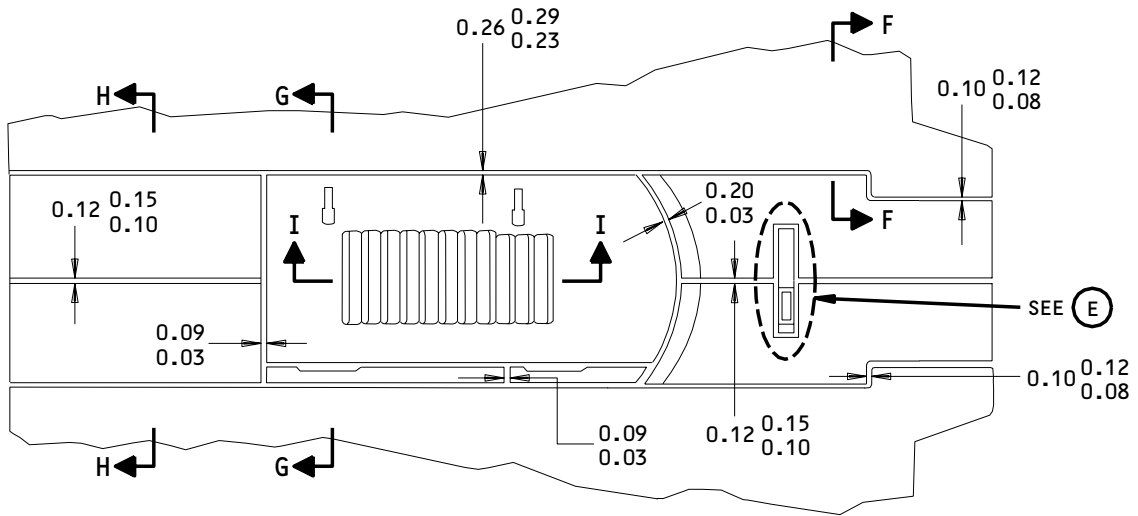
ITEM NUMBERS REFER TO IPL FIG. 1  
ALL DIMENSIONS ARE IN INCHES

Aerodynamic Smoothness Requirements  
Figure 706 (Sheet 4)

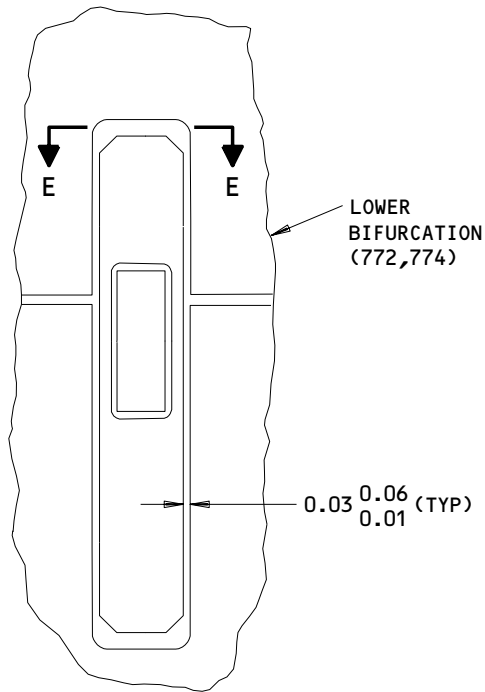
**71-11-56**

ASSEMBLY  
Page 725  
Mar 01/97

01.1



D-D



(E)

ALL DIMENSIONS ARE IN INCHES

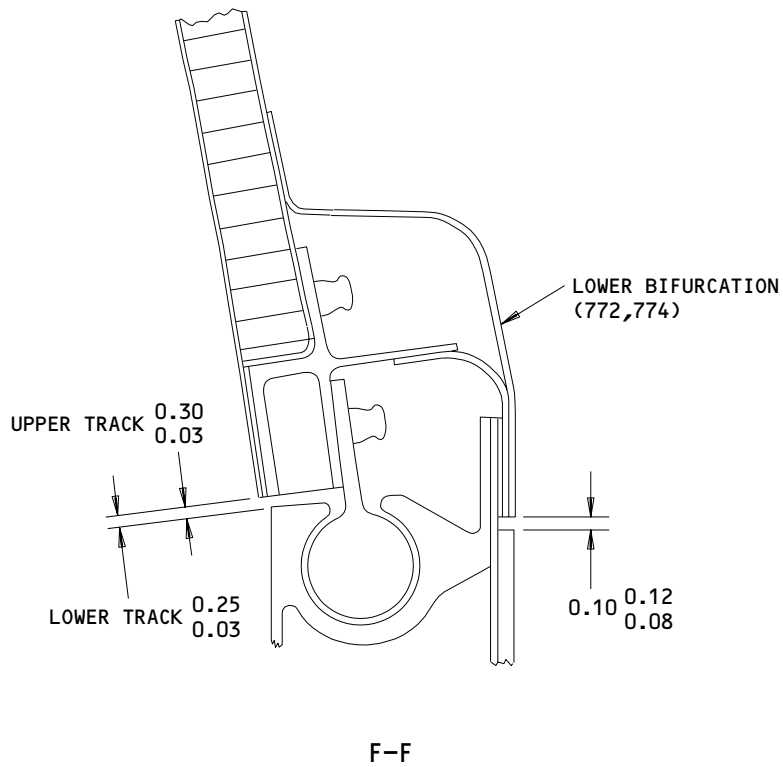
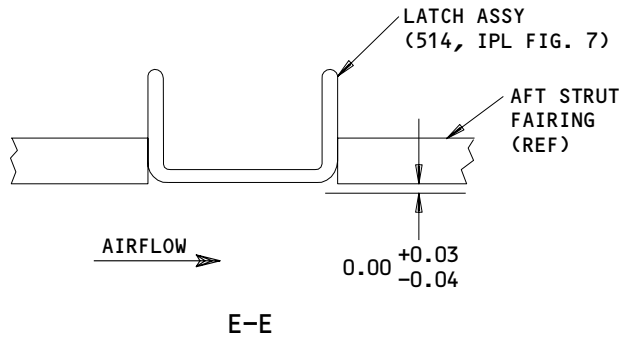
Aerodynamic Smoothness Requirements  
 Figure 706 (Sheet 5)

**71-11-56**

ASSEMBLY  
 Page 726  
 Mar 01/97

01.1

307344



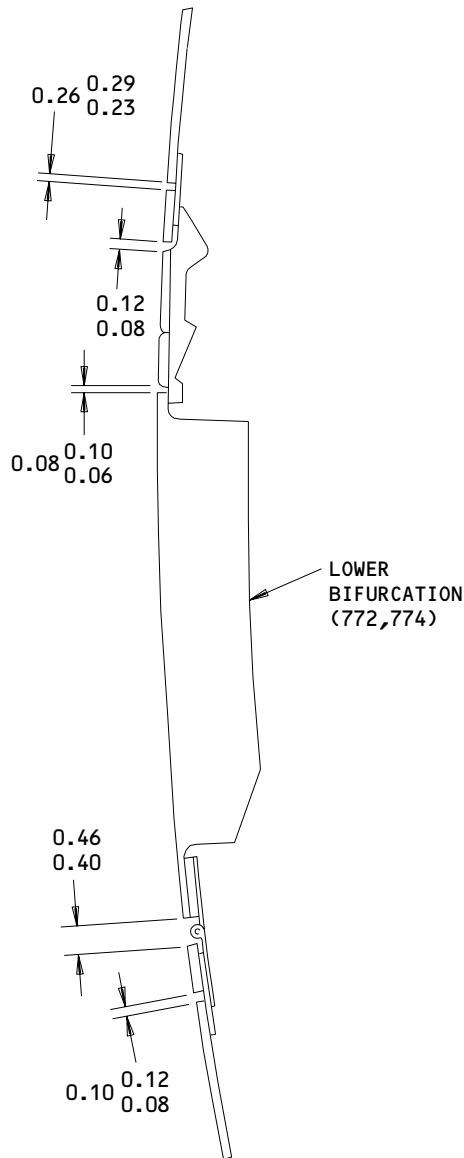
ALL DIMENSIONS ARE IN INCHES

Aerodynamic Smoothness Requirements  
Figure 706 (Sheet 6)

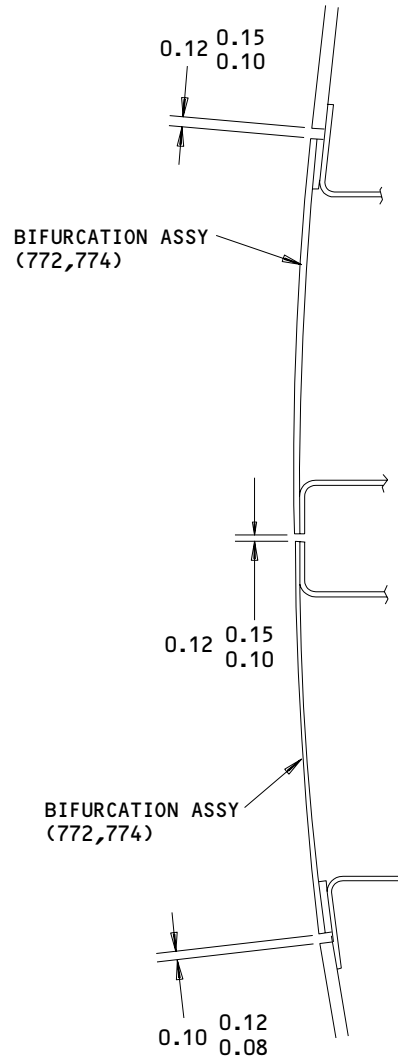
**71-11-56**

ASSEMBLY  
Page 727  
Mar 01/97

01.1



(PERPENDICULAR TO FLOW)  
 G-G



H-H

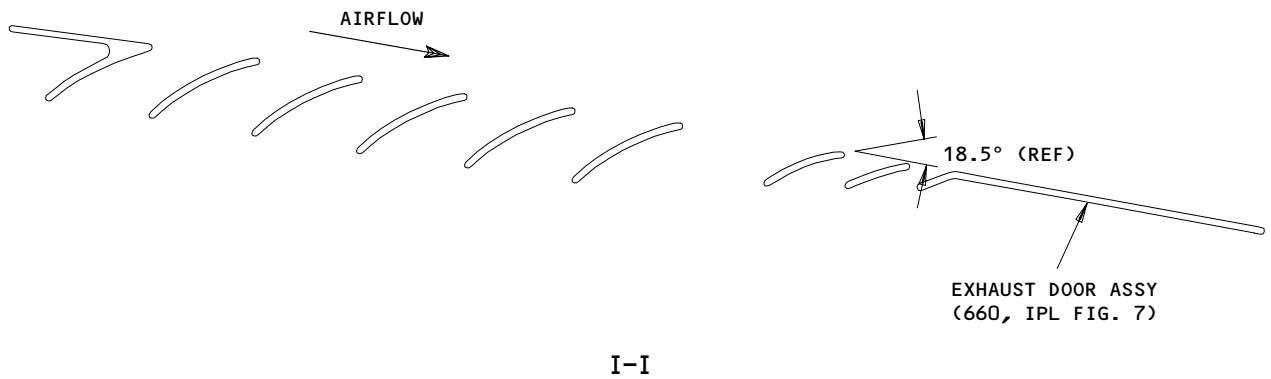
ALL DIMENSIONS ARE IN INCHES

Aerodynamic Smoothness Requirements  
 Figure 706 (Sheet 7)

**71-11-56**

ASSEMBLY  
 Page 728  
 Mar 01/97

01.1

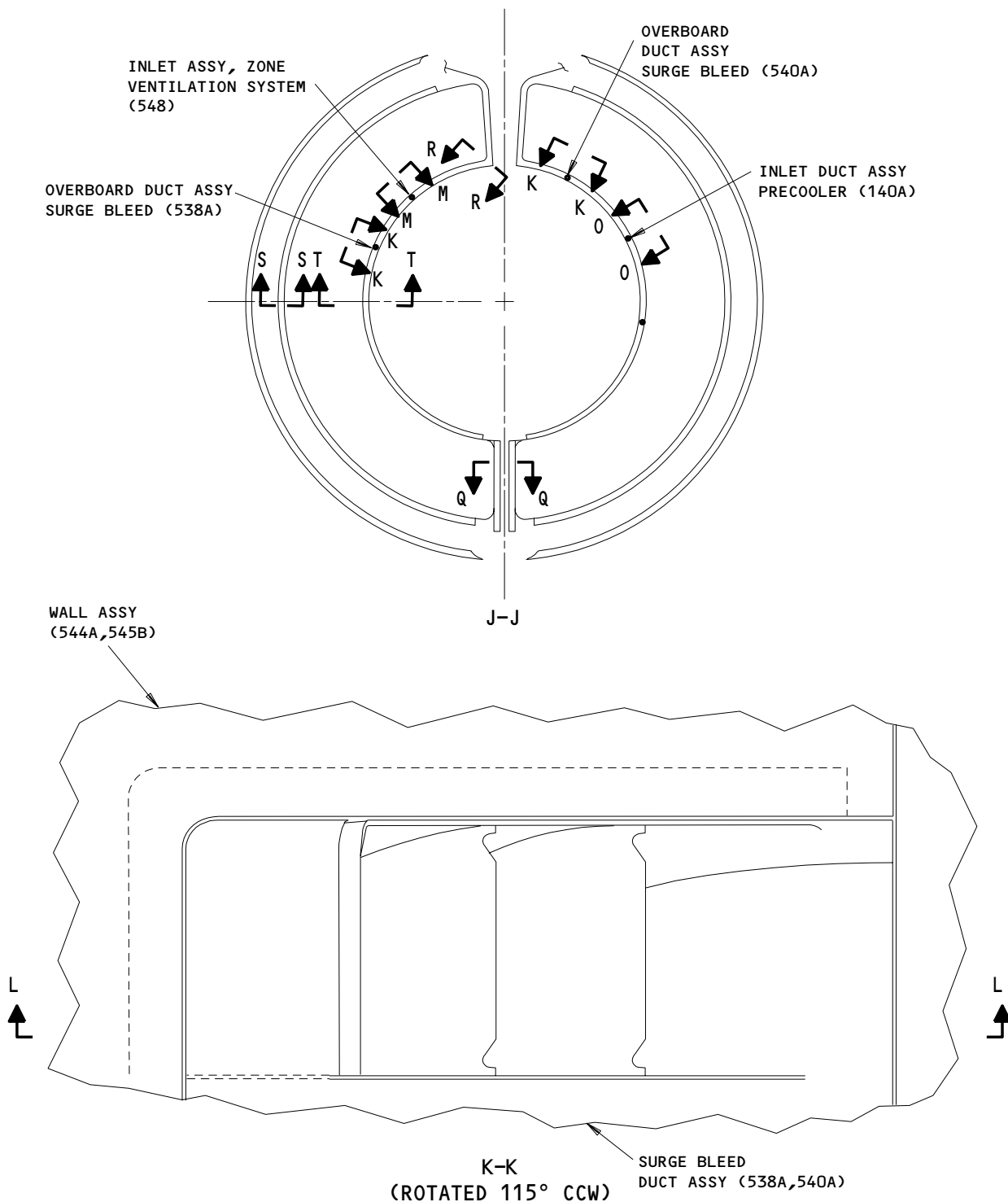


Aerodynamic Smoothness Requirements  
Figure 706 (Sheet 8)

71-11-56

ASSEMBLY  
Page 729  
Mar 01/97

01.1



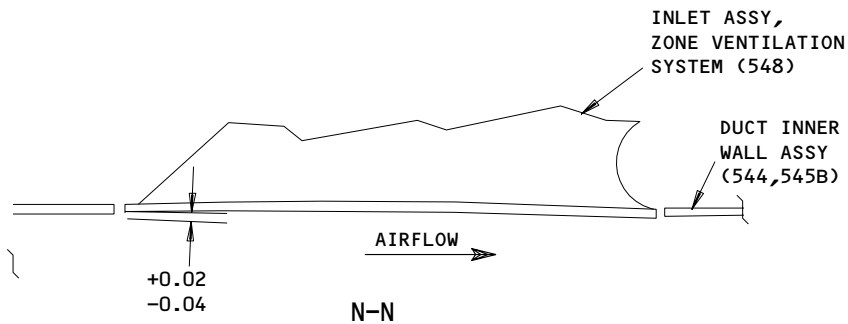
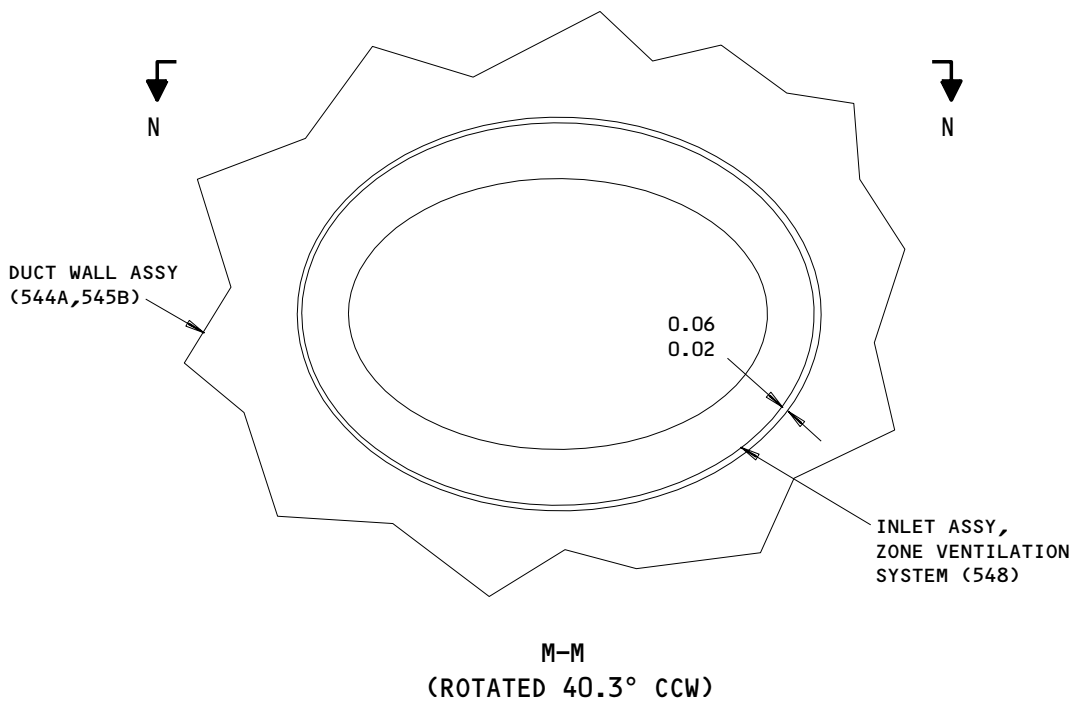
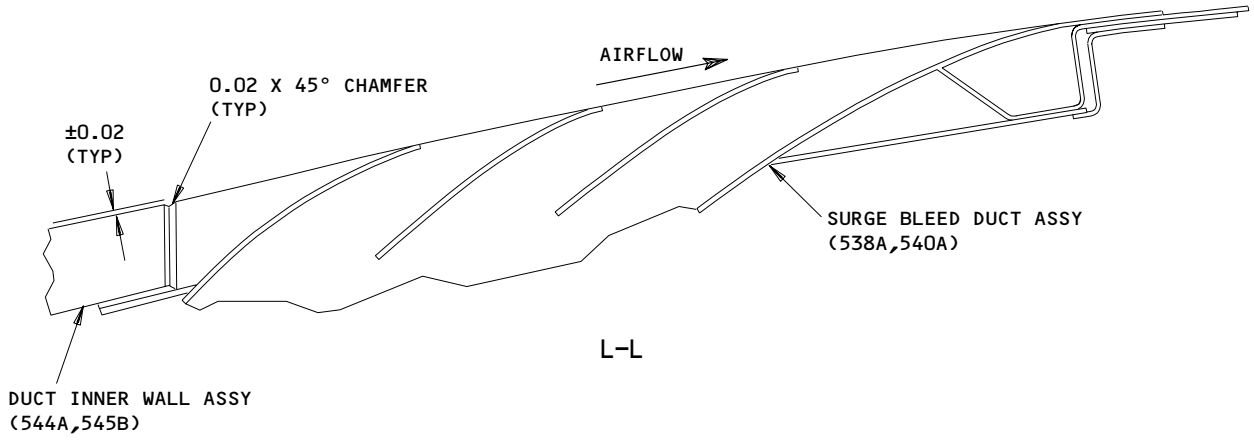
Aerodynamic Smoothness Requirements  
 Figure 706 (Sheet 9)

**71-11-56**

ASSEMBLY  
 Page 730  
 Mar 01/97

01.1





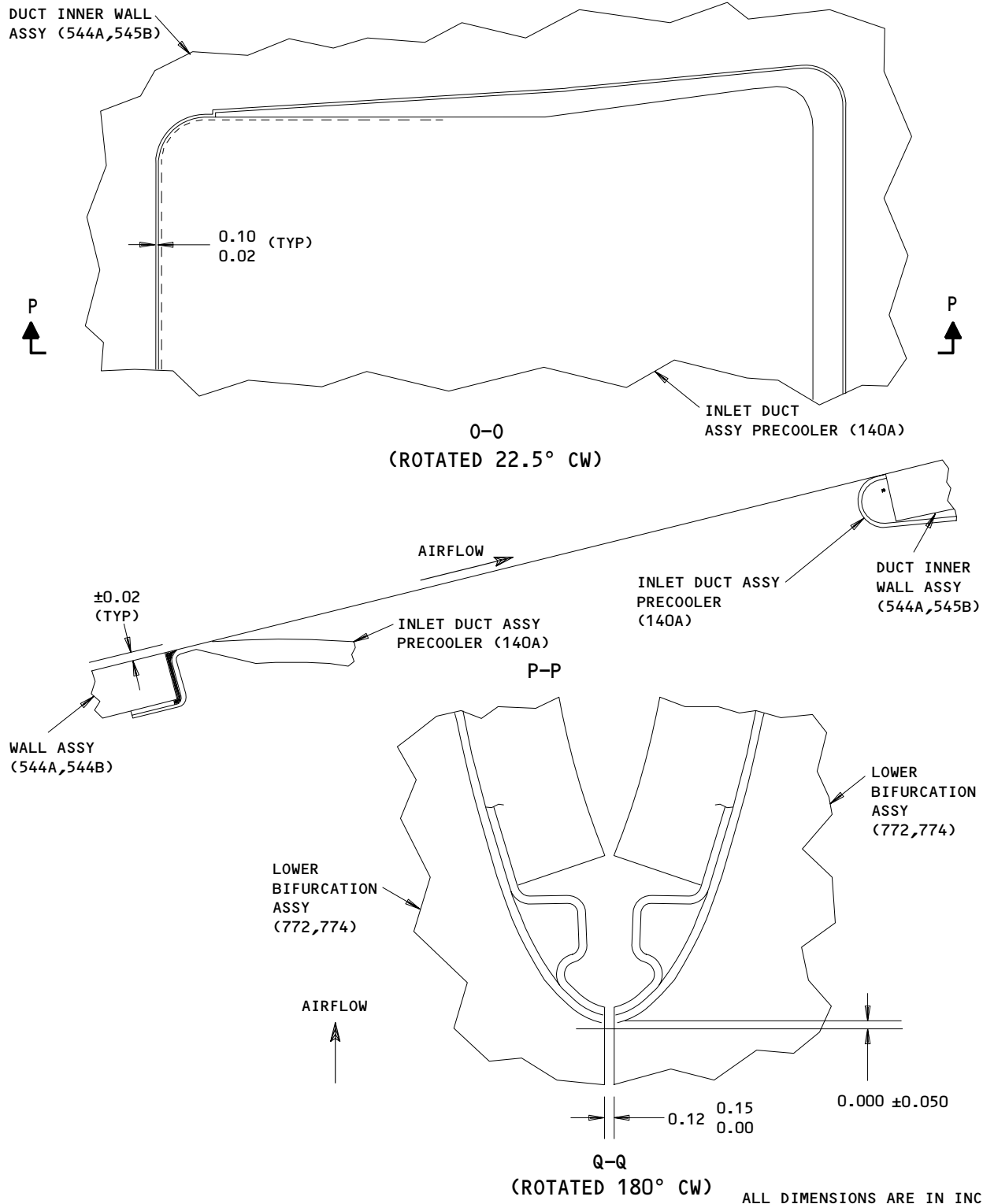
ALL DIMENSIONS ARE IN INCHES

Aerodynamic Smoothness Requirements  
Figure 706 (Sheet 10)

**71-11-56**

ASSEMBLY  
Page 731  
Mar 01/97

01.1



Aerodynamic Smoothness Requirements  
 Figure 706 (Sheet 11)

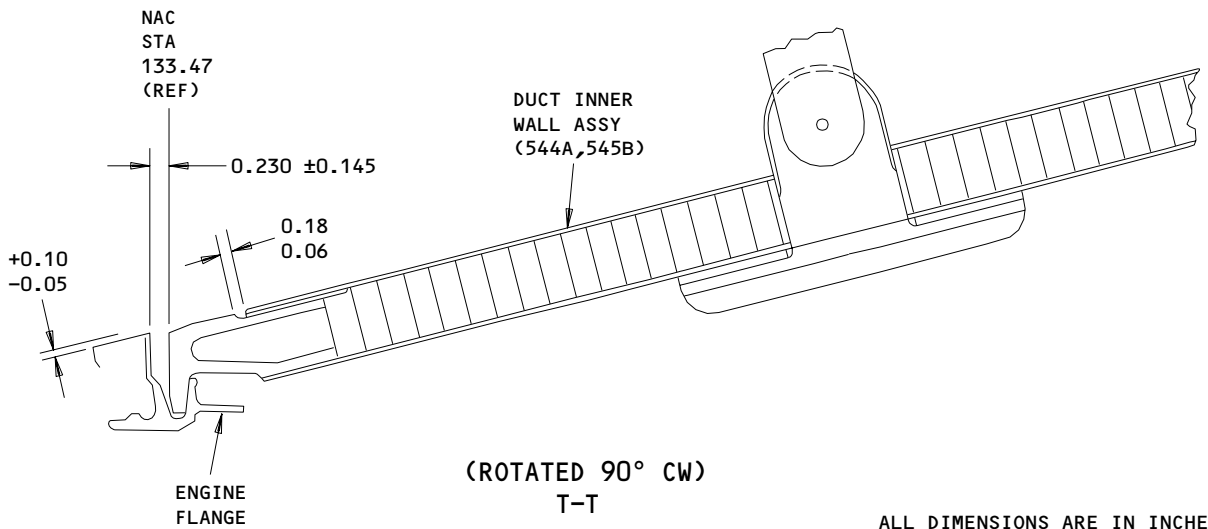
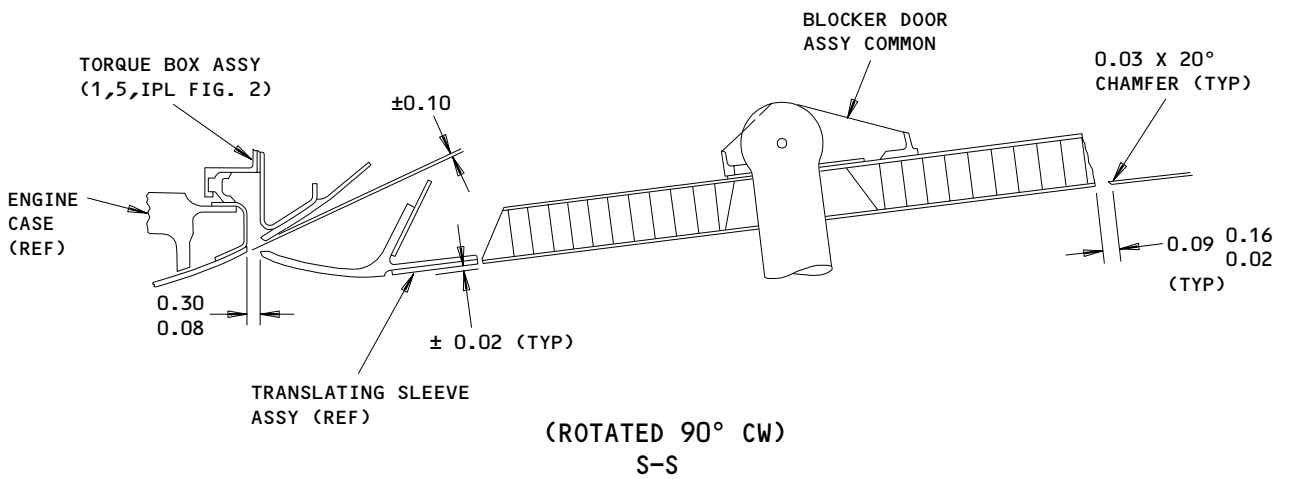
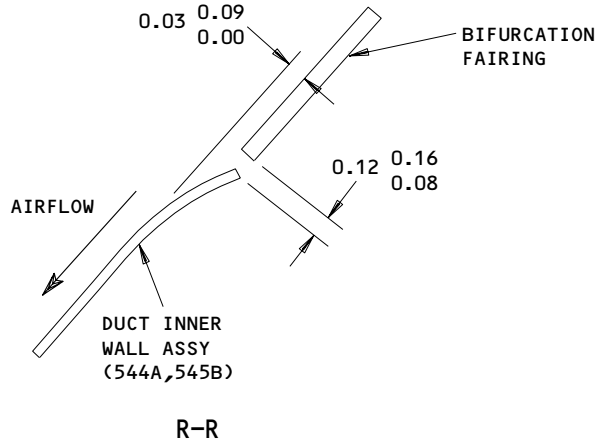
**71-11-56**

ASSEMBLY  
 Page 732  
 Mar 01/97

01.1

307281

**BOEING**  
COMPONENT  
MAINTENANCE MANUAL

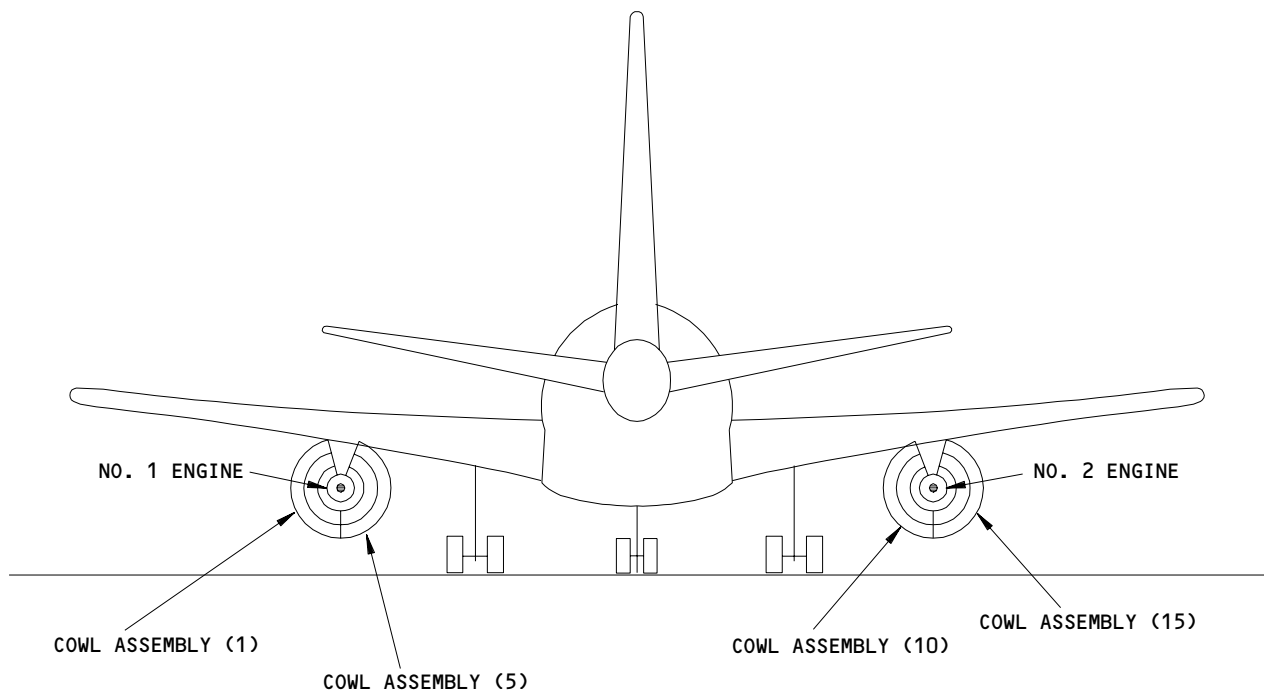


ALL DIMENSIONS ARE IN INCHES

Aerodynamic Smoothness Requirements  
Figure 706 (Sheet 12)

71-11-56

ASSEMBLY  
Page 733  
Mar 01/97



REFERENCE VIEW ONLY TO SHOW 767 AIRCRAFT POSITION

ITEM NUMBERS REFER TO IPL FIG. 1

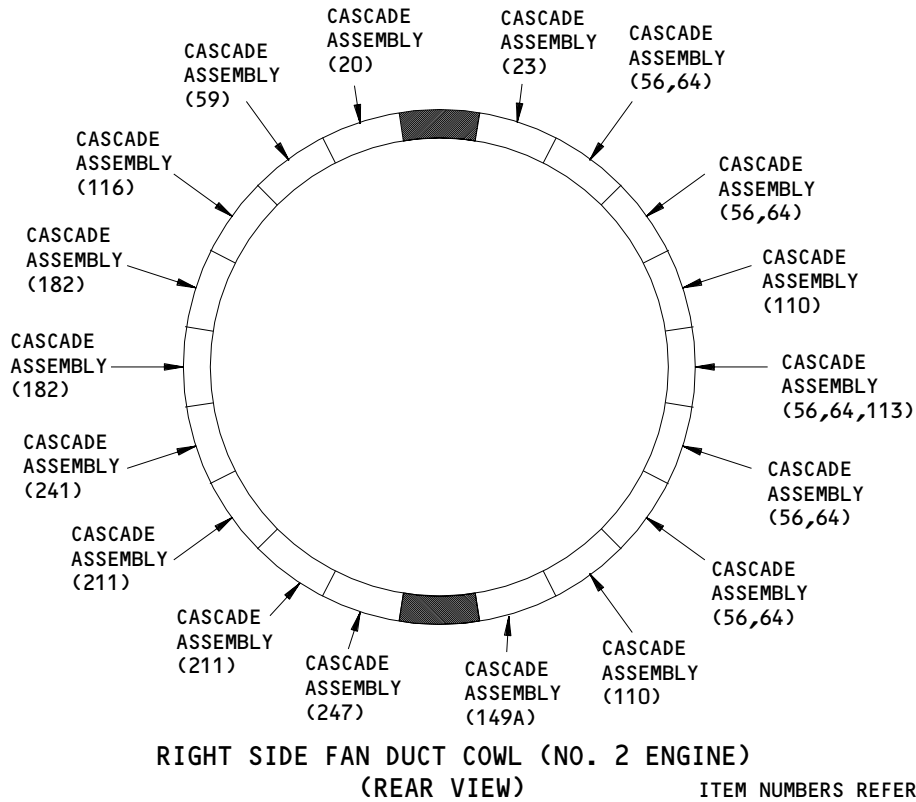
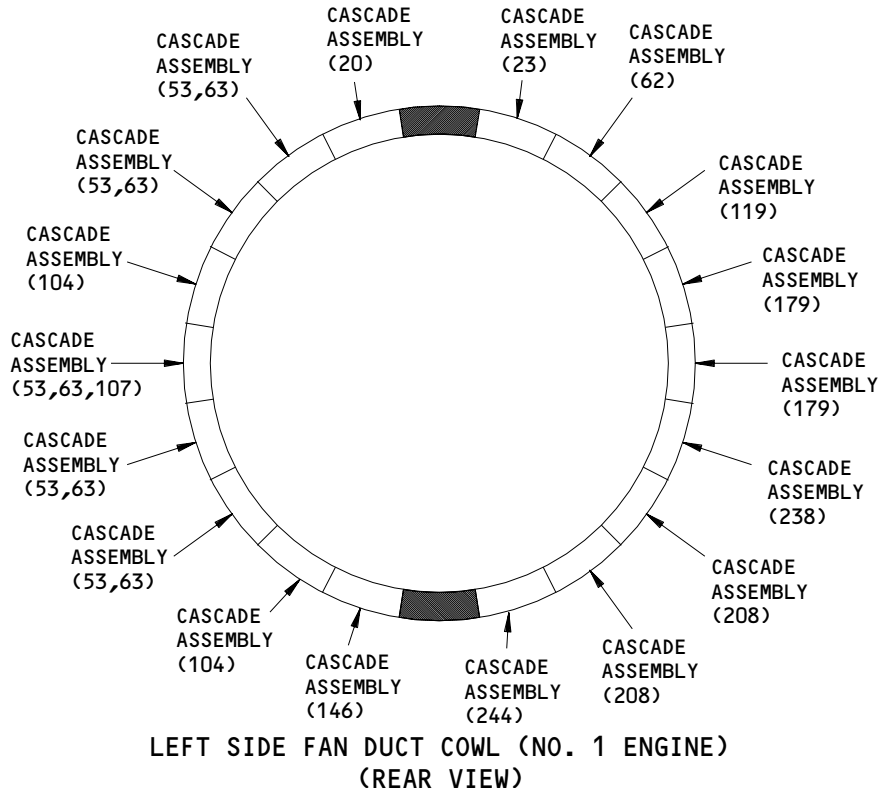
Cascade Arrangement  
Figure 707 (Sheet 1)

**71-11-56**

ASSEMBLY  
Page 734  
Mar 01/97

01.1

**BOEING**  
COMPONENT  
MAINTENANCE MANUAL

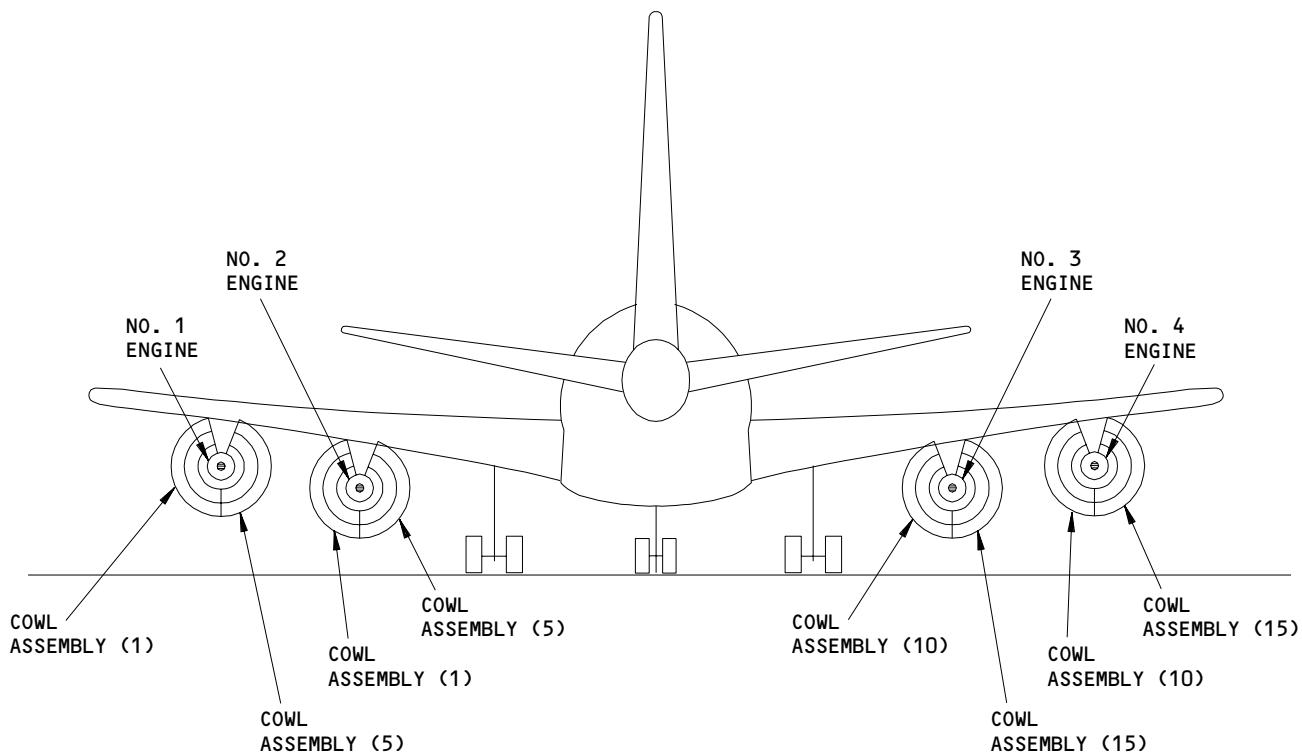


ITEM NUMBERS REFER TO IPL FIG. 1

**Cascade Arrangement  
Figure 707 (Sheet 2)**

**71-11-56**

ASSEMBLY  
Page 735  
Mar 01/97



REFERENCE VIEW ONLY TO SHOW 747 AIRCRAFT POSITION

ITEM NUMBERS REFER TO IPL FIG. 1

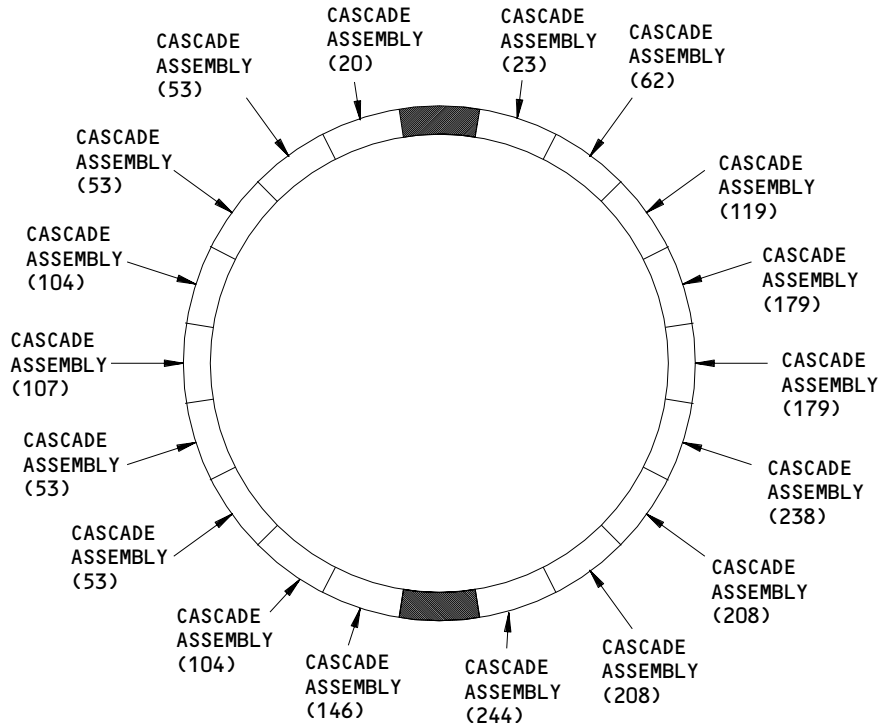
Cascade Arrangement  
Figure 707 (Sheet 3)

**71-11-56**

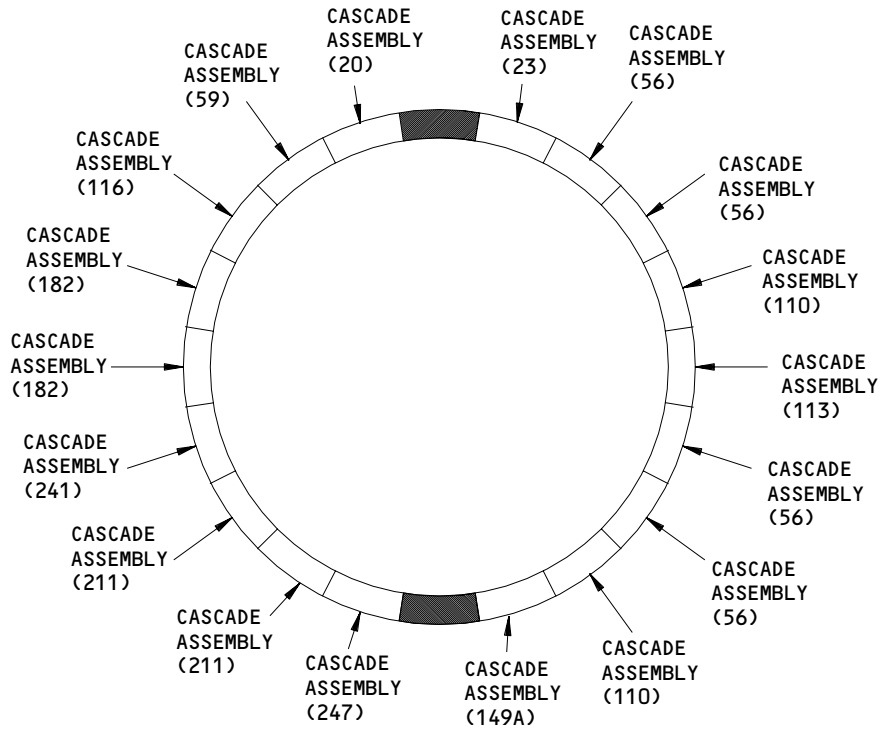
ASSEMBLY  
Page 736  
Mar 01/97

01.1

**BOEING**  
COMPONENT  
MAINTENANCE MANUAL



LEFT SIDE FAN DUCT COWL (NO. 1 AND 2 ENGINES)  
(REAR VIEW)



RIGHT SIDE FAN DUCT COWL (NO. 3 AND 4 ENGINES)  
(REAR VIEW)

ITEM NUMBERS REFER TO IPL FIG. 1

Cascade Arrangement  
Figure 707 (Sheet 4)

71-11-56

ASSEMBLY  
Page 737  
Mar 01/97

01.1

FITS AND CLEARANCES

| FOR TORQUE VALUES OF STANDARD FASTENERS, REFER TO 20-50-01 |      |              |            |
|--|------|--------------|------------|
| ITEM NO.<br>IPL FIG. 1                                     | NAME | TORQUE       |            |
|  |      | POUND-INCHES | POUND-FEET |
| 481  | Bolt | 72-88        |            |
| 490  | Bolt | 72-88        |            |

Torque Table  
Figure 801

**71-11-56**



ILLUSTRATED PARTS LIST

1. This section lists and illustrates replaceable or repairable component parts. The Illustrated Parts Catalog contains a complete explanation of the Boeing part numbering system.

2. Indentures show parts relationships as follows:

Assembly

Detail Parts for Assembly

Subassembly

Attaching Parts for Subassembly

Detail Parts for Subassembly

Detail Installation Parts (included only if installation parts may be returned to shop as part of assembly)

3. One use code letter (A, B, C, etc., ) is assigned in the EFF CODE column for each variation of top assembly. All listed parts are used on all top assemblies except when limitations are shown by use code letter opposite individual part entries.

4. Letter suffixes (alpha-variants) are added to item numbers for optional parts, Service Bulletin modification parts, configuration differences (except left- and right-hand parts), product improvement parts, and parts added between two sequential item numbers. The alpha-variant is not shown on illustrations when appearance and location of all variants of the part is the same.

5. Service Bulletin modifications are shown by the notations PRE SB XXXX and POST SB XXX.

A. When a new top assembly part number is assigned by Service Bulletin, the notations appear at the top assembly level only. The configuration differences at detail part level are then shown by use code letter.

B. When the top assembly part number is not changed by the Service Bulletin, the notations appear at the detail part level.

6. Parts Interchangeability

Optional  
(OPT)

The parts are optional to and interchangeable with other parts having the same item number.

Supersedes, Superseded By  
(SUPSDS, SUPSD BY)

The part supersedes and is not interchangeable with the original part.

Replaces, Replaced By  
(REPLS, REPLD BY)

The part replaces and is interchangeable with, or is an alternate to, the original part.

VENDORS

A8053 SAIET SPA  
VIA DEL VETRAIO 21  
BOLOGNA, ITALY 40138

OPTK6 SPS TECHNOLOGIES INC AEROSPACE PRODUCTS DIV  
5195 W 4700  
SALT LAKE CITY, UTAH 94118  
SEE V56878 SPS TECHNOLOGIES INC

00624 EATON AEROQUIP INC ENGINEERED SYSTEMS DIV  
300 S EAST AVE  
JACKSON, MICHIGAN 49203-1972  
FORMERLY AEROQUIP ELBEE PLANT V99879 OR WESTERN PLANT  
V70128; FORMERLY AEROQUIP AEROSP DIV JACKSON PLANT;  
FORMERLY V11328 AEROQUIP LINAIR DIV; LAWRENCE PLANT V26622

01673 AIRDROME PRECISION COMPONENTS  
3251 E AIRPORT WAY  
LONG BEACH, CALIFORNIA 90806-2407  
FORMERLY AIRDROME PARTS CO

02697 PARKER-HANNIFIN CORP SEAL GROUP O-RING DIV  
2360 PALUMBO DRIVE PO BOX 11751  
LEXINGTON, KENTUCKY 40509  
FORMERLY V17506 IN CLEVELAND, OHIO  
FORMERLY PARKER SEALS V4J413

03925 PARKER-HANNIFIN CORP STRATOFLEX AEROSPACE/MILITARY CONN DIV  
17671 ARMSTRONG AVENUE PO BOX 16819  
IRVINE, CALIFORNIA 92713-6819  
FORMERLY IN HAWTHORNE AND SANTA ANA, CALIFORNIA  
FORMERLY STRATOFLEX INCORPORATED

04827 CHASE-WALTON ELASTOMERICS  
29 APSEY STREET PO BOX A  
HUDSON, MASSACHUSETTS 01749-1543

05693 CHERRY/TEXTRON INC CHERRY COMMERCIAL FASTENERS PROD DIV  
1224 EAST WARNER STRET  
SANTA ANA, CALIFORNIA 92705  
FORMERLY TOWNSEND CO CHERRY RIVET DIV AND TEXTRON INC  
CHERRY FASTENERS UNIT

06710 LAMSON AND SESSIONS CO THE VALLEY-TODECO  
12975 BRADLEY AVENUE  
SYLMAR, CALIFORNIA 91342-3830  
FORMERLY VALLEY BOLT CORP VB0097 IN NORTH HOLLYWOOD, CA

71-11-56

ILLUSTRATED PARTS LIST  
01.1 Page 1002  
Nov 01/04

VENDORS

- 06725 AIR INDUSTRIES CORPORATION  
12570 KNOTT STREET  
GARDEN GROVE, CALIFORNIA 92641-3932  
FORMERLY AIR INDUSTRIES OF CALIF IN GARDENA, CALIF.
- 06851 RESISTOFLEX CORP WESTERN DIV SEE RESISTOFLEX DIV OF  
UNIDYNAMICS CORP V50599
- 06950 SCREWCORP VSI AEROSPACE PRODUCTS DIV FAIRCHILD IND DIV  
13001 EAST TEMPLE AVENUE PO BOX 730  
CITY OF INDUSTRY, CALIFORNIA 91746-1417  
FORMERLY VB0096 AND VSI CORP SCREWCORP DIV  
FORMERLY IN CULVER CITY, CALIFORNIA
- 08199 SIERRACIN CORPORATION DBA HARRISON  
3020 EMPIRE AVENUE  
BURBANK, CALIFORNIA 91504-3109  
FORMERLY TECHNICAL IND INC OR HARRISON MFG CO DIV AXIAL CORP
- 08524 DEUTSCH FASTENER CORP SEE CODE V97928
- 11314 HUTCHINSON SEAL CORP  
11634 PATTON RD  
DOWNEY, CALIFORNIA 90241  
FORMERLY FEDERAL MOGUL CORP; FORMERLY AMERICAN UNITED PROD
- 11328 AEROQUIP SEE EATON AEROQUIP V00624
- 11815 CHERRY AEROSPACE FASTENERS DIV OF TEXTRON  
1224 EAST WARNER AVENUE PO BOX 2157  
SANTA ANA, CALIFORNIA 92707-0157  
FORMERLY IN LOS ANGELES, CALIF, FORMERLY CHERRY FASTENERS  
TOWNSEND DIV OF TEXTRON INC V71087
- 11960 KIRKHILL - TA HANKON DIV  
336 WEIR ST P. O. BOX 1091  
TAUNTON, MASSACHUSETTS 02780  
FORMERLY HERCULES INC & HAVEG & BURKE INC HASKON DIV
- 12157 RESISTOFLEX CORP SOUTHWESTERN DIV  
DALLAS, TEXAS 75207  
BUSINESS DISCONTINUED
- 14242 VOSS INDUSTRIES INC  
2168 WEST 25TH STREET  
CLEVELAND, OHIO 44113-4115

71-11-56

ILLUSTRATED PARTS LIST  
01.1 Page 1003  
Nov 01/04

VENDORS

- 14397 FABER ENTERPRISES, INCORPORATED  
6606 VARIEL AVE  
CANOGA PARK, CALIFORNIA 91303-2808
- 14798 DEUTSCH CO METAL COMPONENTS DIV  
14800 SOUTH FIGUEROA STREET  
GARDENA, CALIFORNIA 90248-1719  
FORMERLY WEATHERHEAD V79470 FOR AEROSPACE PRODUCTS
- 15653 ALOCA GLOBAL FASTEMERS INC DIV KAYNARE PRODUCTS  
800 S STATE COLLEGE BLVD  
FULLERTON, CALIFORNIA 92831-3001  
FORMERLY VK6405 MICRODOT AEROSP LTD; FORMERLY KAYNAR TECH  
FORMERLY FAIRCHILD FASTENERS KAYNAR DIV
- 16632 FLEXFAB HORIZONS INTERNATIONAL INC DBA FLEXFLAB LLC  
1699 W. M-43 HWY  
HASTINGS, MIGHIGAN 49058-8377
- 17446 HUCK INTL INC AEROSPACE FASTENER DIV  
900 WATSON CENTER ROAD  
CARSON, CALIFORNIA 90745-4201  
FORMERLY V32134 REXNORD INC; FORMERLY V97928 HUCK INTL
- 18076 UMPCO, INCORPORATED  
7100 LAMPSON AVENUE  
GARDEN GROVE, CALIFORNIA 92841-3914  
FORMERLY IN CITY OF INDUSTRY, CALIFORNIA
- 22175 J & M PRODUCTS INC.  
1647 TRUMAN STREET  
SAN FERNANDO, CALIFORNIA 91340  
FORMERLY IN ANAHUM CALIFORNIA AND BURBANK
- 27238 BRISTOL INDUSTRIES  
630 EAST LAMBERT ROAD PO BOX 630  
BREA, CALIFORNIA 92621-4119
- 29372 FAIRCHILD IND INC AEROSP FSTNRS DIV SOUTHBAY OPNS/TRIDAIR  
3000 WEST LOMITA BLVD  
TORRANCE, CALIFORNIA 90505-5103  
FORMERLY CALFAX INC V11907; NEWTON INSERT CO V98004; REXNORD  
INC SPECIALTY FASTENER DIV AND DELRON CO V82831; REXNORD  
INC TRIDAIR IND

71-11-56

VENDORS

29666 HUCK MANUFACTURING CO SUB OF FEDERAL-MOGUL CORP  
6 THOMAS  
IRVINE, CALIFORNIA 92714  
FORMERLY HUCK MFG CO VB0016 IN DETROIT, MICHIGAN

30974 AEROFIT PRODUCTS INC  
6460 DALE STREET  
BUENA PARK, CALIFORNIA 90621-3115

5M902 ALCOA GLOBAL FASTENERS INC, DIV OF VOI-SHAN PRODUCTS  
3000 W LOMITA BLVD  
TORRANCE, CALIFORNIA 90505-5103  
FORMERLY FAIRCHILD INC INC FAIRCHILD AEROSPACE FASTENERS DIV

5T400 GRIMES AEROSPACE CO  
550 STATE ROUTE 55  
URBANA, OHIO 43078-9482

50599 CRANE RESISTOFLEX COMPANY  
2575 WEST 5TH STREET  
JACKSONVILLE, FLORIDA 22205  
FORMERLY RESISTOFLEX DIV OF UNIDYNAMICS  
FORMERLY V40223 TELEFLEX FLUID SYS, INC.

50808 UNITED SUPPLY CO INC  
3676 S BROADWAY PLACE  
LOS ANGELES, CALIFORNIA 90007-4432

50948 PARKER-HANNIFIN CORP HUNTSVILLE AIRCRAFT FACILITY  
9400 SOUTH MEMORIAL PARKWAY  
HUNTSVILLE, ALABAMA 35802  
FORMERLY PARKER-HANNIFIN CORP TUBE FITTINGS DIV

52825 HOFFMAN CAMERA CORP  
19 GRAND AVENUE  
FARMINGTON, NEW YORK 11735-6315

52828 REPUBLIC FASTENER MFG CORP  
1300 RANCHO CONEJO BLVD  
NEWBURY PARK, CALIFORNIA 91320-1405  
FORMERLY IN SYLMAR, CALIFORNIA

53551 ALLFAST FASTENING SYSTEMS INC  
15200 EAST DON JULIAN ROAD PO BOX 3166  
CITY OF INDUSTRY, CALIFORNIA 91745-1001  
FORMERLY V0736B  
FORMERLY ALLFAST INC V5K545

71-11-56

ILLUSTRATED PARTS LIST  
01.1 Page 1005  
Nov 01/04

VENDORS

56878 SPS TECHNOLOGIES INC AEROSPACE AND INDUSTRIAL PRODUCTS DIV  
301 HIGHLAND AVE  
JENKINTOWN, PENNSYLVANIA 19046  
FORMERLY STANDARD PRESSED STEEL

57268 RAINER RUBBER CO  
15660 NELSON PL SO  
SEATTLE, WASHINGTON 98188

60516 WEST COAST AEROSPACE INC  
812 MIRAFLORES STREET  
SAN PEDRO, CALIFORNIA 90731-1439

60980 MEGGITT-OREGON INC DBA MEGGITT SILICONE PROD DIV MSP  
2010 LAFAYETTE AVE P.O. BOX 887  
MCMINNVILLE, OREGON 97128  
FORMERLY ELASTOMERIC SILICON PRODUCTS

61498 SEE CODE V14798

62554 SIMMONDS MECAERO FASTENERS INC  
1734 SEQUOIA AVENUE  
ORANGE, CALIFORNIA 92668

62701 ZEVC0 INC SEE CIRCLE SEAL CONTROLS V91816

66295 MICRODOT MFG WITTEK MFG DIV SEE EPICOR IND IDEAL DIV V81646

7Z588 BREEZE INDUSTRIAL PRODUCTS CORPORATION  
BREEZE INDUSTRIAL PRODUCTS CORPORTION  
3582 TUNNELTON ROAD  
3582 TUNNELTON ROAD  
SALTSBURG, PENNSYLVANIA 15681-9593  
SALTSBURG, PENNSYLVANIS 15681-9593

71087 BOOTS ACFT NUT DIV TOWNSEND CO SEE TEXTRON INC CHERRY  
FASTENER TOWNSEND DIV V11815

72962 HARVARD INDUSTRIES INC  
3 WERNER WAY SUITE 210  
LEBANON, NEW JERSEY 08833  
FORMERLY ESNA V7A079  
FORMERLY ELASTIC STOP NUT IN UNION, NJ

73197 HI-SHEAR TECHNOLOGY CORP  
2600 SKYPARK DRIVE  
TORRANCE, CALIFORNIA 90509

71-11-56

ILLUSTRATED PARTS LIST  
01.1 Page 1006  
Nov 01/04

VENDORS

78570 TITFLEX CORP SUB OF BUNDY CORP  
603 HENDEE STREET PO BOX 90054  
SPRINGFIELD, MASSACHUSETTS 01139

8W928 EATON AEROQUIP INC CLAMP PRODUCTS DIV  
RT 2 BOX 361 MEADOWBROOK RD  
EASTANOLLEE, GEORGIA 30538-0361  
FORMERLY AEROQUIP CORP IN TOCCOA, GEORGIA

80539 SPS TECHNOLOGIES INC DIV AERPSOACE - SANTA ANA  
2701 SOUTH HARBOR BOULEVARD  
SANTA ANA, CALIFORNIA 92704-5803  
FORMERLY NUTT-SHEL DIV OF SPC WESTERN CO V80539  
AND STANDARD PRESSED STEEL WESTERN DIV V17279

81205 BOEING CO THE  
7755 EAST MARGINAL WAY PO BOX 3707  
SEATTLE, WASHINGTON 98124

82829 ALLEN AIRCRAFT PRODUCTS INC  
6168 WOODBINE STREET PO BOX 1211  
RAVENNA, OHIO 44266-9665

83014 HARTWELL CORPORATION  
900 SOUTH RICHFIELD ROAD  
PLACENTIA, CALIFORNIA 92670-6732  
FORMERLY V0532B IN LOS ANGELES, CALIFORNIA

83930 ADEL WIGGINS GROUP  
5000 TRIGGS STREET  
LOS ANGELES, CALIFORNIA 90022-4833  
FORMERLY ADEL PROD DIV OF DELAVAL TURBINE CALIF INC;  
FORMERLY EXACTO IND V72285; FORMERLY DELAVAL ADEL FSTN DIV  
FORMERLY TRANSAMERICA DELAVAL ADEL FTNRS DIV; FORMERLY IMO  
DELAVAL IN HUNTINGTON, WV

84256 AVIBANK MANUFACTURING COMPANY  
210 SOUTH VICTORY BLVD PO BOX 391  
BURBANK, CALIFORNIA 91503  
FORMERLY AVDEL INC AND ROWE SALES CO VB0001  
FORMERLY PRICE, D.W. CORP LOS ANGELES, CALIFORNIA V97978

84971 TA MFG CO TA DIV  
28065 W FRANKLIN PKY PO BOX 931  
VALENCIA, CALIFORNIA 91380-9031  
FORMERLY IN LA, CALIF; SUB OF CRITON CORP, GLENDALE, CALIF

71-11-56

ILLUSTRATED PARTS LIST  
01.1 Page 1007  
Nov 01/04

VENDORS

9N513 VOI SHAN/CHATSWORTH DIV OF VSI CORP SUB OF FAIRCHILD IND  
CHATSWORTH, CALIFORNIA 91311-5013  
COMPANY NO LONGER WISHES TO BE CONSIDERED FOR FED CONTRCTG

92003 PARKER-HANNIFIN CORPORATION  
14300 ALTON PKWY  
IRVINE, CALIFORNIA 92618  
FORMERLY PARKER AIRCRAFT V02689; FORMERLY SCHULZ TOOL & MFG  
V82267; FORMERLY PARKER-BERTEA AEROSPACE GROUP

92215 FAIRCHILD IND INC FAIRCHILD AEROSPACE FASTENER DIV  
3010 W LOMITA BLVD  
TORRANCE, CALIFORNIA 90505-5102  
FORMERLY VOI-SHAN IN CULVER CITY, CALIF

94581 NATIONAL UTILITIES CORP/NUCO  
1700 HICKORY DRIVE PO BOX 14639  
FORT WORTH, TEXAS 76117-6020  
FORMERLY IN MONROVIA, CALIFORNIA; FORMERLY V2D588

95272 STILLMAN SEL CORP  
6020 AVENIDA ENCINAS  
CARLSBAD, CALIFORNIA 92009-1001  
FORMERLY SARGENT IND

97928 SEE V17446 HUCK INTL  
HUCK INTL SEE V17446 HUCK INTL  
SEE V17446 HUCK INTL

98524 MONOGRAM AEROSPACE FASTENERS  
3423 SOUTH GARFIELD AVENUE  
LOS ANGELES, CALIFORNIA 90040-3103  
FORMERLY NATIONAL SCREW & MFG CO V76689; ADJUSTABLE BUSHING  
CORP, HOLLYWOOD, CA V15291; MONOGRAM/GVI IND INC, SUN  
VALLEY, CA V29464

98996 OLYMPIA FASTENING INV SEE V53551

71-11-56

ILLUSTRATED PARTS LIST  
01.1 Page 1008  
Nov 01/04



| PART NUMBER  | AIRLINE<br>PART NO. | FIG. | ITEM | TTL<br>REQ |
|--------------|---------------------|------|------|------------|
| AFP175V06    |                     | 4    | 130  | 1          |
|              |                     | 4    | 150  | 2          |
| AFP175V06P   |                     | 4    | 150A | 2          |
| AFP238-0604J |                     | 4    | 170  | 1          |
| AFP241-06J   |                     | 11   | 40   | 1          |
| AFP941H6     |                     | 4    | 140  | 1          |
|              |                     | 11   | 55   | 1          |
|              |                     | 11   | 60   | 2          |
| AF5141-3C    |                     | 7    | 518A | 1          |
| AL10V6-15    |                     | 5    | 517B | 1          |
|              |                     | 5    | 519  | 1          |
|              |                     | 18   | 462  | 7          |
| AN760C6      |                     | 6    | 100  | 2          |
| AN924-6J     |                     | 4    | 160  | 1          |
| AN960-10     |                     | 7    | 674  | 6          |
|              |                     | 14   | 35   | 6          |
| AN960C10     |                     | 1    | 524A | 8          |
|              |                     | 1    | 541F | 12         |
|              |                     | 11   | 15   | 4          |
| AN960C10L    |                     | 2    | 375  | 4          |
|              |                     | 4    | 45   | 2          |
|              |                     | 21   | 120  | 14         |
|              |                     | 25   | 775  | 4          |
| AN960C416L   |                     | 5    | 10   | 1          |
|              |                     | 7    | 560  | 1          |
| AN960C6      |                     | 6    | 70   | 2          |
| AN960C8      |                     | 9    | 165  | 2          |
| AN960D10L    |                     | 2    | 827H | 1          |
|              |                     | 25   | 55   | 1          |
| AN960D516L   |                     | 2    | 827  | 2          |
|              |                     | 2    | 827A | 1          |
|              |                     | 25   | 50   | 1          |
| AN960KD10L   |                     | 2    | 835  | 4          |
|              |                     | 5    | 111  | 17         |
|              |                     | 5    | 112  | 2          |
|              |                     | 5    | 114  | 2          |
| AN960KD416   |                     | 1    | 429N | 1          |
|              |                     | 1    | 469  | 1          |
|              |                     | 1    | 486  | 1          |
|              |                     | 1    | 493  | 54         |
|              |                     | 2    | 905  | 1          |
|              |                     | 2    | 925  | 3          |
|              |                     | 18   | 24   | 56         |

71-11-56

ILLUSTRATED PARTS LIST  
01.1 Page 1009  
Nov 01/04

| PART NUMBER   | AIRLINE<br>PART NO. | FIG. | ITEM | TTL<br>REQ |
|---------------|---------------------|------|------|------------|
| AN960KD416    |                     | 25   | 960  | 3          |
| AN960KD416L   |                     | 1    | 429  | 1          |
|               |                     | 1    | 467  | 1          |
|               |                     | 1    | 484  | 68         |
|               |                     | 1    | 485  | 1          |
|               |                     | 5    | 112A | 2          |
|               |                     | 5    | 113  | 9          |
|               |                     | 5    | 116  | 1          |
|               |                     | 18   | 21   | 70         |
| AN960KD516    |                     | 1    | 461  | 7          |
| AN960KD516L   |                     | 1    | 459  | 7          |
| AN960KD616    |                     | 1    | 465  | 2          |
| AN960KD616L   |                     | 1    | 463  | 2          |
| AN960KD8      |                     | 9    | 230  | 6          |
|               |                     | 9    | 231  | 6          |
| AN960PD10     |                     | 1    | 578  | 2          |
|               |                     | 4    | 95   | 1          |
| AN960PD10L    |                     | 3    | 110  | 6          |
| AN960XC10     |                     | 1    | 524  | 8          |
|               |                     | 1    | 525  | 16         |
| AN960XC10LL   |                     | 3    | 110A | 6          |
|               |                     | 21   | 155  | 6          |
| APX832-0604J  |                     | 4    | 170  | 1          |
| AP1004H06     |                     | 4    | 140  | 1          |
|               |                     | 11   | 55   | 1          |
|               |                     | 11   | 60   | 2          |
| AP1008-06J    |                     | 11   | 40   | 1          |
| AP2097-06H    |                     | 4    | 130  | 1          |
|               |                     | 4    | 150  | 2          |
| AP2097-06HP   |                     | 4    | 150A | 2          |
| ASPF PDT06-07 |                     | 7    | 85A  | 1          |
| ASPF PDT06-09 |                     | 7    | 80A  | 1          |
| ASPF PDT06-19 |                     | 18   | 829  | 2          |
| ASPF PDT06-20 |                     | 7    | 55A  | 1          |
| ASPF PDT08-20 |                     | 5    | 275A | 1          |
| ASPF PDT6-11  |                     | 7    | 75   | 1          |
| ASPF PDT6-13  |                     | 7    | 70   | 1          |
| ASPF PDT6-15  |                     | 7    | 60   | 1          |
| ASPF PDT6-17  |                     | 7    | 65   | 1          |
| ASPF PDT6-18  |                     | 7    | 50   | 1          |
| ASPF PDT06-15 |                     | 5    | 528  | 1          |
| ASPF PDT06-16 |                     | 5    | 527  | 1          |
| ASPF PDT06-18 |                     | 5    | 134  | 5          |
|               |                     | 18   | 828A | 4          |
|               |                     | 18   | 830A | 4          |
| ASPF PDT06-19 |                     | 18   | 828  | 4          |
|               |                     | 18   | 830  | 4          |

# 71-11-56

 ILLUSTRATED PARTS LIST  
 01.1 Page 1010  
 Nov 01/04

| PART NUMBER     | AIRLINE<br>PART NO. | FIG. | ITEM | TTL<br>REQ |
|-----------------|---------------------|------|------|------------|
| ASPF PDT06-20   |                     | 7    | 45A  | 2          |
| ASPF PDT06-22   |                     | 5    | 136  | 1          |
| ASPF PDT6-19    |                     | 1    | 900  | 3          |
|                 |                     | 1    | 909  | 4          |
| ASPF SDT06      |                     | 18   | 420  | 1          |
|                 |                     | 18   | 832  | 2          |
| ASPF SDT08      |                     | 5    | 280A | 1          |
| ASPF SDT6       |                     | 7    | 95   | 6          |
| ASPLC2AC06      |                     | 1    | 722A | 1          |
|                 |                     | 1    | 739S | 2          |
|                 |                     | 1    | 739W | 1          |
|                 |                     | 5    | 140B | 6          |
|                 |                     | 5    | 533  | 2          |
|                 |                     | 18   | 423A | 1          |
|                 |                     | 18   | 691A | 1          |
|                 |                     | 18   | 801  | 2          |
|                 |                     | 18   | 825  | 2          |
|                 |                     | 18   | 834  | 5          |
|                 |                     | 18   | 835  | 2          |
|                 |                     | 18   | 836  | 4          |
| ASPLC2AC08      |                     | 5    | 153A | 3          |
|                 |                     | 5    | 285A | 1          |
| ASPLC2AC6       |                     | 1    | 723  | 1          |
|                 |                     | 1    | 906  | 3          |
|                 |                     | 1    | 915  | 4          |
|                 |                     | 7    | 100  | 8          |
|                 |                     | 18   | 691  | 1          |
| ASP100PDT08-23  |                     | 5    | 151B | 3          |
| AS118E0150AAN   |                     | 4    | 175  | 1          |
| AS161E0150AAN   |                     | 4    | 175  | 1          |
| AS568-906S32    |                     | 4    | 123  | 1          |
| BACB28AM04B034A |                     | 7    | 584  | 1          |
| BACB28AM06B039A |                     | 7    | 730  | 3          |
| BACB28AM09B021A |                     | 5    | 375  | 1          |
| BACB28AP06P021  |                     | 5    | 380  | 1          |
| BACB28AP07P038  |                     | 2    | 635  | 6          |
|                 |                     | 25   | 130  | 6          |
| BACB28AW07A029C |                     | 7    | 729  | 6          |
| BACB28W3B037    |                     | 7    | 582  | 1          |
| BACB28X6C020    |                     | 7    | 586  | 1          |
| BACB28Y5C037    |                     | 7    | 572  | 2          |
| BACB30CC5-5     |                     | 2    | 383  | 2          |
|                 |                     | 2    | 850  | 2          |

71-11-56

ILLUSTRATED PARTS LIST  
01.1 Page 1010A  
Nov 01/04

| PART NUMBER  | AIRLINE<br>PART NO. | FIG. | ITEM | TTL<br>REQ |
|--------------|---------------------|------|------|------------|
| BACB30CC6-4  |                     | 2    | 398  | 3          |
|              |                     | 2    | 976  | 3          |
| BACB30CL5-5  |                     | 2    | 964  | 2          |
| BACB30FM5AU  |                     | 3    | 205A | 8          |
| BACB30FN8AK6 |                     | 5    | 54F  | 1          |
|              |                     | 5    | 57F  | 3          |
|              |                     | 5    | 59C  | 1          |
| BACB30FN8AK7 |                     | 5    | 54E  | 1          |
|              |                     | 5    | 57D  | 3          |
|              |                     | 5    | 59B  | 1          |
| BACB30FN8KA6 |                     | 5    | 61D  | 1          |
| BACB30LE4-11 |                     | 7    | 285  | 2          |
|              |                     | 7    | 287  | 2          |
| BACB30LE4-12 |                     | 7    | 287A | 2          |
| BACB30LH2-2  |                     | 1    | 301A | 10         |
|              |                     | 19   | 65A  | 10         |
|              |                     | 22   | 55A  | 10         |
| BACB30LH3-5  |                     | 2    | 690A | 1          |
|              |                     | 25   | 765A | 1          |
| BACB30LH3DU4 |                     | 1    | 541C | 4          |
| BACB30LH3U11 |                     | 9    | 21B  | 2          |
| BACB30LH3U12 |                     | 9    | 21C  | 2          |
| BACB30LH3U3  |                     | 1    | 522C | 8          |
|              |                     | 3    | 125  | 14         |
| BACB30LH3U3  |                     | 21   | 115  | 14         |
| BACB30LH3U5  |                     | 9    | 11A  | 4          |
| BACB30LJ3-4  |                     | 3    | 105  | 6          |
| BACB30LJ4-3  |                     | 2    | 445  | 6          |
| BACB30LK3-2  |                     | 11   | 10   | 2          |
| BACB30LM3-5  |                     | 2    | 830  | 4          |
| BACB30LM3H15 |                     | 7    | 624  | 1          |
| BACB30LM4H12 |                     | 5    | 5    | 1          |
| BACB30LR2-2  |                     | 1    | 301  | 10         |
|              |                     | 19   | 65   | 10         |
| BACB30LR2-3  |                     | 1    | 298  | 1          |
|              |                     | 19   | 60   | 1          |
|              |                     | 22   | 50   | 1          |
|              |                     | 22   | 55   | 10         |
| BACB30LR3-6  |                     | 2    | 710  | 4          |
|              |                     | 2    | 740  | 28         |
|              |                     | 25   | 760  | 32         |
| BACB30MR4K9  |                     | 1    | 428B | 1          |
|              |                     | 18   | 18   | 1          |
| BACB30MY5K   |                     | 3    | 201  | 32         |
|              |                     | 7    | 322  | 1          |
| BACB30MY5K10 |                     | 1    | 640  | 1          |
|              |                     | 18   | 345  | 1          |

# 71-11-56

 ILLUSTRATED PARTS LIST  
 01.1 Page 1010B  
 Nov 01/04

| PART NUMBER  | AIRLINE<br>PART NO. | FIG. | ITEM | TTL<br>REQ |
|--------------|---------------------|------|------|------------|
| BACB30MY5K11 |                     | 1    | 638  | 2          |
|              |                     | 18   | 342  | 2          |
| BACB30MY5K12 |                     | 1    | 636  | 2          |
|              |                     | 18   | 339  | 2          |
| BACB30MY5K13 |                     | 1    | 634  | 2          |
|              |                     | 18   | 336  | 2          |
| BACB30MY5K14 |                     | 1    | 632  | 2          |
|              |                     | 18   | 333  | 2          |
| BACB30MY5K15 |                     | 1    | 630  | 2          |
|              |                     | 18   | 330  | 2          |
| BACB30MY5K16 |                     | 1    | 628  | 1          |
|              |                     | 18   | 327  | 1          |
| BACB30MY5K17 |                     | 1    | 626  | 17         |
|              |                     | 1    | 714  | 22         |
|              |                     | 1    | 715  | 1          |
|              |                     | 7    | 170  | 11         |
|              |                     | 18   | 318  | 15         |
|              |                     | 18   | 324  | 2          |
|              |                     | 18   | 678  | 20         |
|              |                     | 18   | 681  | 2          |
| BACB30MY5K18 |                     | 1    | 624  | 21         |
| BACB30MY5K18 |                     | 1    | 645  | 4          |
|              |                     | 1    | 647  | 4          |
|              |                     | 1    | 710  | 26         |
|              |                     | 18   | 363  | 21         |
|              |                     | 18   | 372  | 8          |
|              |                     | 18   | 696  | 35         |
| BACB30MY5K2  |                     | 1    | 645A | 4          |
|              |                     | 1    | 646  | 2          |
|              |                     | 7    | 331  | 1          |
|              |                     | 7    | 342  | 4          |
|              |                     | 18   | 384  | 4          |

**71-11-56**

ILLUSTRATED PARTS LIST  
01.1 Page 1010C  
Nov 01/04

| PART NUMBER  | AIRLINE<br>PART NO. | FIG.        | ITEM | TTL<br>REQ |     |   |
|--------------|---------------------|-------------|------|------------|-----|---|
| BACB30MY5K21 |                     | 1           | 622  | 1          |     |   |
|              |                     | 18          | 321  | 1          |     |   |
| BACB30MY5K22 |                     | 1           | 620  | 2          |     |   |
|              |                     | 18          | 366  | 2          |     |   |
| BACB30MY5K3  |                     | 1           | 643  | 1          |     |   |
|              |                     | 1           | 644  | 5          |     |   |
|              |                     | 3           | 165  | 37         |     |   |
|              |                     | 4           | 177  | 4          |     |   |
|              |                     | 5           | 37   | 19         |     |   |
|              |                     | 7           | 175  | 13         |     |   |
|              |                     | 7           | 320  | 6          |     |   |
|              |                     | 7           | 325  | 10         |     |   |
|              |                     | 7           | 840  | 5          |     |   |
|              |                     | 18          | 360  | 1          |     |   |
|              |                     | 21          | 250  | 38         |     |   |
|              |                     | 21          | 290  | 32         |     |   |
|              |                     | 25          | 575  | 2          |     |   |
|              |                     | 25          | 620  | 2          |     |   |
|              |                     | 25          | 875  | 88         |     |   |
| BACB30MY5K4  |                     | 25          | 890  | 5          |     |   |
|              |                     | 1           | 642A | 1          |     |   |
|              |                     | 1           | 712  | 6          |     |   |
|              |                     | 3           | 160A | 3          |     |   |
|              |                     | 4           | 240  | 2          |     |   |
|              |                     | 7           | 323  | 3          |     |   |
|              |                     | 7           | 330  | 3          |     |   |
|              |                     | 7           | 335  | 7          |     |   |
|              |                     | 7           | 835  | 4          |     |   |
|              |                     | 18          | 699  | 2          |     |   |
|              |                     | 21          | 245  | 4          |     |   |
|              |                     | 25          | 895  | 5          |     |   |
|              |                     | BACB30MY5K5 |      | 1          | 642 | 1 |
|              |                     | BACB30MY5K5 |      | 7          | 340 | 1 |
|              |                     | BACB30MY5K5 |      | 7          | 704 | 4 |
| 14           | 105                 |             |      | 4          |     |   |
| 17           | 65                  |             |      | 2          |     |   |
| BACB30MY6K   |                     | 17          | 20   | 10         |     |   |
| BACB30MY6K10 |                     | 1           | 732  | 1          |     |   |
|              |                     | 13          | 62A  | 1          |     |   |
| BACB30MY6K12 |                     | 18          | 711  | 1          |     |   |
|              |                     | 1           | 667  | 1          |     |   |
|              |                     | 2           | 90   | 2          |     |   |
|              |                     | 18          | 483  | 1          |     |   |
|              |                     | 25          | 240  | 2          |     |   |

# 71-11-56

 ILLUSTRATED PARTS LIST  
 01.1 Page 1010D  
 Nov 01/04

| PART NUMBER   | AIRLINE<br>PART NO. | FIG. | ITEM | TTL<br>REQ |
|---------------|---------------------|------|------|------------|
| BACB30MY6K13  |                     | 1    | 667G | 2          |
|               |                     | 18   | 480  | 2          |
| BACB30MY6K14  |                     | 1    | 600  | 2          |
|               |                     | 1    | 668G | 1          |
|               |                     | 5    | 521  | 1          |
|               |                     | 18   | 461  | 1          |
|               |                     | 18   | 465  | 2          |
| BACB30MY6K15  |                     | 1    | 598  | 4          |
|               |                     | 1    | 668K | 1          |
|               |                     | 1    | 668P | 2          |
|               |                     | 5    | 517  | 1          |
|               |                     | 5    | 519  | 1          |
|               |                     | 18   | 462  | 7          |
|               |                     | 5    | 517A | 1          |
| BACB30MY6K15X |                     | 5    | 517A | 1          |
| BACB30MY6K16  |                     | 1    | 596  | 5          |
|               |                     | 1    | 669  | 1          |
|               |                     | 5    | 515  | 1          |
|               |                     | 5    | 519F | 1          |
|               |                     | 18   | 459  | 5          |
| BACB30MY6K16X |                     | 18   | 460  | 1          |
|               |                     | 5    | 515A | 1          |
|               |                     | 1    | 594  | 6          |
| BACB30MY6K17  |                     | 18   | 456  | 6          |
|               |                     | 1    | 592  | 9          |
| BACB30MY6K18  |                     | 18   | 411  | 2          |
|               |                     | 18   | 444  | 3          |
|               |                     | 18   | 453  | 6          |
|               |                     | 1    | 590  | 14         |
|               |                     | 1    | 730  | 34         |
| BACB30MY6K19  |                     | 1    | 731  | 4          |
|               |                     | 11   | 5    | 2          |
|               |                     | 18   | 405  | 1          |
|               |                     | 18   | 438  | 14         |
|               |                     | 18   | 450  | 1          |
|               |                     | 18   | 717  | 34         |
|               |                     | 18   | 718  | 4          |

**71-11-56**

ILLUSTRATED PARTS LIST  
01.1 Page 1010E  
Nov 01/04

| PART NUMBER  | AIRLINE<br>PART NO. | FIG. | ITEM | TTL<br>REQ |
|--------------|---------------------|------|------|------------|
| BACB30MY6K20 |                     | 5    | 425  | 4          |
|              |                     | 7    | 10   | 4          |
|              |                     | 18   | 402  | 1          |
| BACB30MY6K21 |                     | 1    | 724  | 36         |
|              |                     | 5    | 430  | 4          |
|              |                     | 18   | 714  | 8          |
| BACB30MY6K22 |                     | 18   | 849  | 40         |
|              |                     | 5    | 325  | 2          |
|              |                     | 18   | 540  | 5          |
| BACB30MY6K23 |                     | 5    | 320  | 2          |
|              |                     | 18   | 543  | 5          |
|              |                     | 7    | 15   | 7          |
| BACB30MY6K24 |                     | 1    | 647P | 3          |
|              |                     | 1    | 728  | 6          |
|              |                     | 18   | 378  | 3          |
| BACB30MY6K3  |                     | 1    | 647H | 2          |
|              |                     | 2    | 536  | 6          |
|              |                     | 2    | 815C | 7          |
|              |                     | 7    | 180A | 4          |
|              |                     | 10   | 120  | 4          |
|              |                     | 13   | 62   | 1          |
|              |                     | 13   | 65   | 4          |
|              |                     | 18   | 381  | 2          |
|              |                     | 25   | 555  | 6          |
|              |                     | 25   | 595  | 5          |
| BACB30MY6K4  |                     | 25   | 645  | 2          |
|              |                     | 26   | 70   | 4          |
|              |                     | 1    | 726  | 6          |
|              |                     | 2    | 35   | 4          |
|              |                     | 2    | 810C | 4          |
|              |                     | 2    | 820C | 2          |
|              |                     | 7    | 407  | 3          |
|              |                     | 18   | 555  | 3          |
|              |                     | 18   | 852  | 1          |
|              |                     | 25   | 70   | 2          |
| BACB30MY6K5  |                     | 25   | 170  | 8          |
|              |                     | 25   | 425  | 4          |
|              |                     | 25   | 600  | 1          |

# 71-11-56

 ILLUSTRATED PARTS LIST  
 01.1 Page 1010F  
 Nov 01/04



| PART NUMBER  | AIRLINE<br>PART NO. | FIG. | ITEM | TTL<br>REQ |    |
|--------------|---------------------|------|------|------------|----|
| BACB30MY6K6  |                     | 2    | 810  | 4          |    |
|              |                     | 2    | 815  | 7          |    |
|              |                     | 5    | 51   | 9          |    |
|              |                     | 5    | 52B  | 4          |    |
|              |                     | 5    | 53B  | 13         |    |
|              |                     | 5    | 54B  | 1          |    |
|              |                     | 5    | 58   | 2          |    |
|              |                     | 5    | 61   | 1          |    |
|              |                     | 5    | 62   | 4          |    |
|              |                     | 7    | 405  | 6          |    |
|              |                     | 7    | 410  | 4          |    |
|              |                     | 12   | 35   | 8          |    |
|              |                     | 18   | 495  | 2          |    |
|              |                     | 18   | 510  | 2          |    |
|              |                     | 18   | 855  | 3          |    |
|              | BACB30MY6K7         |      | 2    | 820        | 2  |
|              |                     |      | 5    | 52         | 4  |
|              |                     |      | 5    | 53         | 13 |
|              |                     | 5    | 54   | 1          |    |
| BACB30MY6K8  |                     | 25   | 175  | 4          |    |
|              |                     | 2    | 620  | 8          |    |
|              |                     | 7    | 400  | 1          |    |
| BACB30MY6K8  |                     | 25   | 105  | 8          |    |
|              |                     | 25   | 730  | 4          |    |
| BACB30MY6K9  |                     | 2    | 615  | 4          |    |
|              |                     | 7    | 396  | 2          |    |
|              |                     | 25   | 110  | 4          |    |
| BACB30MY8K10 |                     | 2    | 600  | 8          |    |
|              |                     | 25   | 100  | 12         |    |
| BACB30MY8K11 |                     | 2    | 595  | 4          |    |
| BACB30MY8K6  |                     | 5    | 50   | 1          |    |
|              |                     | 5    | 56B  | 6          |    |

**71-11-56**

ILLUSTRATED PARTS LIST  
01.1 Page 1010G  
Nov 01/04

| PART NUMBER  | AIRLINE<br>PART NO. | FIG. | ITEM | TTL<br>REQ |
|--------------|---------------------|------|------|------------|
| BACB30MY8K7  |                     | 2    | 880  | 3          |
|              |                     | 2    | 890  | 2          |
|              |                     | 5    | 56   | 6          |
| BACB30MY8K9  |                     | 7    | 395  | 2          |
| BACB30NM3K5  |                     | 7    | 652A | 2          |
| BACB30NM3K6  |                     | 4    | 86   | 1          |
|              |                     | 5    | 101B | 13         |
|              |                     | 5    | 109  | 4          |
| BACB30NM3K7  |                     | 5    | 101  | 13         |
|              |                     | 7    | 654B | 2          |
|              |                     | 7    | 644B | 2          |
| BACB30NM3K8  |                     | 1    | 490  | 54         |
| BACB30NM4K8  |                     | 18   | 12   | 54         |
|              |                     | 1    | 428  | 1          |
|              |                     | 1    | 481  | 35         |
| BACB30NM4K9  |                     | 18   | 15   | 35         |
|              |                     | 9    | 20   | 2          |
|              |                     | 9    | 21   | 2          |
| BACB30NN3K11 |                     | 9    | 20A  | 2          |
|              |                     | 9    | 21A  | 2          |
|              |                     | 2    | 690B | 1          |
| BACB30NN3K5  |                     | 9    | 10   | 19         |
|              |                     | 9    | 11   | 4          |
|              |                     | 25   | 765  | 1          |
|              |                     | 5    | 103B | 6          |
| BACB30NR4K6  |                     | 2    | 900  | 1          |
| BACB30NR4K7  |                     | 5    | 103  | 6          |
|              |                     | 2    | 920  | 3          |
|              |                     | 25   | 955  | 3          |
| BACB30NR4K8  |                     | 7    | 578  | 2          |
| BACB30NW5KE  |                     | 9    | 515  | 2          |
|              |                     | 17   | 310  | 2          |
|              |                     | 5    | 245  | 6          |
| BACB30NW5K11 |                     | 1    | 545V | 6          |
| BACB30NW5K19 |                     | 4    | 15   | 1          |
| BACB30NW6K   |                     |      |      |            |

# 71-11-56

 ILLUSTRATED PARTS LIST  
 01.1 Page 1010H  
 Nov 01/04

| PART NUMBER  | AIRLINE<br>PART NO. | FIG. | ITEM | TTL<br>REQ |
|--------------|---------------------|------|------|------------|
| BACB30NW6K12 |                     | 1    | 604  | 2          |
|              |                     | 18   | 471  | 2          |
| BACB30NW6K13 |                     | 1    | 602  | 2          |
|              |                     | 18   | 468  | 2          |
| BACB30NW6K14 |                     | 5    | 521A | 1          |
| BACB30NW6K15 |                     | 1    | 668Q | 1          |
|              |                     | 5    | 519A | 1          |
| BACB30NW6K18 |                     | 4    | 355A | 7          |
| BACB30NW6K19 |                     | 1    | 510  | 16         |
|              |                     | 1    | 511  | 32         |
|              |                     | 1    | 725  | 1          |
|              |                     | 4    | 195A | 7          |
|              |                     | 4    | 265  | 3          |
|              |                     | 5    | 95   | 5          |
|              |                     | 18   | 837  | 1          |
|              |                     | 3    | 5A   | 36         |
| BACB30NW6K20 |                     | 5    | 90   | 1          |
|              |                     | 21   | 5    | 36         |
| BACB30NW6K21 |                     | 4    | 215  | 2          |
|              |                     | 5    | 85   | 1          |
| BACB30NW6K22 |                     | 5    | 80   | 1          |
| BACB30NW6K23 |                     | 5    | 70   | 14         |
| BACB30NW6K3  |                     | 1    | 531  | 12         |
|              |                     | 1    | 534  | 21         |
|              |                     | 1    | 535  | 24         |
|              |                     | 13   | 25   | 66         |
| BACB30NW6K4  |                     | 1    | 532  | 5          |
|              |                     | 1    | 533  | 10         |
|              |                     | 1    | 894  | 6          |
|              |                     | 20   | 45   | 6          |
| BACB30NW6K5  |                     | 13   | 60   | 4          |
| BACB30NW6K6  |                     | 18   | 544  | 1          |
| BACB30NW8K23 |                     | 5    | 75   | 7          |
| BACB30NX5K2  |                     | 15   | 10   | 7          |
| BACB30NX5K3  |                     | 3    | 175  | 7          |
|              |                     | 4    | 330  | 4          |
|              |                     | 7    | 696  | 4          |
|              |                     | 14   | 85   | 4          |
| BACB30NX5K4  |                     | 3    | 151  | 6          |
|              |                     | 21   | 190  | 6          |
| BACB30NX6K12 |                     | 2    | 100  | 2          |
|              |                     | 25   | 245  | 2          |
| BACB30NX6K13 |                     | 1    | 612  | 2          |
|              |                     | 1    | 613  | 2          |
|              |                     | 1    | 666  | 2          |
|              |                     | 18   | 489  | 2          |
|              |                     | 18   | 504  | 2          |

71-11-56

ILLUSTRATED PARTS LIST  
01.1 Page 1010I  
Nov 01/04

| PART NUMBER   | AIRLINE<br>PART NO. | FIG. | ITEM | TTL<br>REQ |
|---------------|---------------------|------|------|------------|
| BACB30NX6K14  |                     | 1    | 664  | 1          |
| BACB30NX6K19  |                     | 1    | 610  | 7          |
|               |                     | 1    | 737  | 1          |
|               |                     | 1    | 737E | 2          |
|               |                     | 1    | 737J | 3          |
|               |                     | 1    | 737P | 1          |
|               |                     | 18   | 426  | 6          |
|               |                     | 18   | 786  | 1          |
|               |                     | 18   | 787  | 2          |
|               |                     | 18   | 804  | 3          |
|               |                     | 18   | 805  | 1          |
| BACB30NX6K21  |                     | 1    | 736  | 2          |
|               |                     | 1    | 736J | 1          |
|               |                     | 18   | 525  | 30         |
|               |                     | 18   | 759  | 4          |
|               |                     | 18   | 783  | 2          |
|               |                     | 18   | 807  | 1          |
|               |                     | 18   | 808  | 1          |
| BACB30NX6K23  |                     | 18   | 531  | 1          |
| BACB30NX6K24  |                     | 18   | 528  | 1          |
| BACB30NX6K3   |                     | 21   | 270  | 7          |
| BACB30NX6K6   |                     | 25   | 690  | 12         |
| BACB30NX8K19  |                     | 1    | 616  | 4          |
|               |                     | 18   | 429  | 7          |
| BACB30NX8K23  |                     | 5    | 305  | 2          |
| BACB30NX8K25  |                     | 5    | 310  | 1          |
| BACB30NY5K4   |                     | 7    | 688  | 8          |
| BACB30NY5K4   |                     | 14   | 65   | 8          |
| BACB30NY6K18  |                     | 1    | 584  | 1          |
|               |                     | 1    | 586  | 2          |
|               |                     | 18   | 441  | 2          |
| BACB30NY6K19  |                     | 1    | 582  | 1          |
|               |                     | 18   | 408  | 2          |
| BACB30NY6K4   |                     | 13   | 20   | 72         |
| BACB30NY6K5   |                     | 1    | 764  | 2          |
|               |                     | 18   | 861  | 2          |
| BACB30NY6K7   |                     | 7    | 672  | 6          |
|               |                     | 14   | 30   | 6          |
| BACB30NY8K20  |                     | 5    | 290  | 2          |
| BACB30NY8K21  |                     | 5    | 295  | 2          |
| BACB30NZ5K18  |                     | 8    | 145  | 1          |
|               |                     | 23   | 145  | 1          |
| BACB30NZ6K20  |                     | 7    | 20   | 14         |
|               |                     | 7    | 25   | 12         |
| BACB30NZ6K21  |                     | 7    | 30   | 2          |
| BACB30NZ6K24  |                     | 7    | 35   | 6          |
| BACB30VF08K11 |                     | 9    | 25   | 1          |

# 71-11-56

 ILLUSTRATED PARTS LIST  
 01.1 Page 1010J  
 Nov 01/04

| PART NUMBER   | AIRLINE<br>PART NO. | FIG. | ITEM | TTL<br>REQ |
|---------------|---------------------|------|------|------------|
| BACB30VF08K12 |                     | 9    | 25A  | 1          |
| BACB30VF08K2  |                     | 9    | 227  | 6          |
| BACB30VF08K3  |                     | 9    | 15   | 13         |
| BACB30VF08K5  |                     | 9    | 160  | 17         |
| BACB30VF3K19  |                     | 3    | 103  | 6          |
|               |                     | 21   | 140  | 6          |
| BACB30VF3K2   |                     | 1    | 541B | 8          |
| BACB30VF3K5   |                     | 5    | 25   | 1          |
|               |                     | 14   | 30A  | 6          |
|               |                     | 17   | 10   | 25         |
| BACB30VF3K6   |                     | 5    | 102B | 1          |
|               |                     | 5    | 106  | 2          |
|               |                     | 5    | 108  | 1          |
|               |                     | 7    | 632A | 1          |
| BACB30VF3K7   |                     | 5    | 102  | 1          |
|               |                     | 5    | 104B | 3          |
|               |                     | 5    | 107B | 1          |
|               |                     | 5    | 108C | 1          |
| BACB30VF4K7   |                     | 5    | 102D | 1          |
|               |                     | 5    | 104  | 3          |
|               |                     | 5    | 107A | 1          |
|               |                     | 5    | 108B | 1          |
| BACB30VT3K5   |                     | 7    | 672A | 6          |
| BACB30VT5K10  |                     | 18   | 345A | 1          |
| BACB30VT5K11  |                     | 18   | 342A | 2          |
| BACB30VT5K12  |                     | 18   | 339A | 2          |
| BACB30VT5K13  |                     | 18   | 336A | 2          |
| BACB30VT5K14  |                     | 18   | 333A | 2          |
| BACB30VT5K15  |                     | 18   | 330A | 2          |
| BACB30VT5K17  |                     | 18   | 324A | 2          |
|               |                     | 18   | 327A | 1          |
| BACB30VT5K2   |                     | 3    | 205B | 8          |
|               |                     | 7    | 332  | 1          |
|               |                     | 21   | 100  | 8          |
| BACB30VT5K3   |                     | 7    | 333  | 1          |
| BACB30VT5K4   |                     | 7    | 321  | 2          |
|               |                     | 7    | 323A | 3          |
|               |                     | 7    | 337  | 2          |
| BACB30VT5K5   |                     | 7    | 343  | 2          |
| BACB30VT6K12  |                     | 18   | 483A | 1          |
| BACB30VT6K13  |                     | 18   | 480A | 2          |
| BACB30VT6K14  |                     | 18   | 461A | 1          |
|               |                     | 18   | 465A | 2          |
| BACB30VT6K15  |                     | 18   | 462A | 7          |

71-11-56

ILLUSTRATED PARTS LIST  
01.1 Page 1010K  
Nov 01/04

| PART NUMBER   | AIRLINE<br>PART NO. | FIG. | ITEM | TTL<br>REQ |
|---------------|---------------------|------|------|------------|
| BACB30VT6K16  |                     | 18   | 459A | 5          |
|               |                     | 18   | 460A | 1          |
| BACB30VT6K17  |                     | 18   | 456A | 6          |
| BACB30VT6K18  |                     | 18   | 453A | 6          |
| BACB30VT6K19  |                     | 11   | 5A   | 2          |
|               |                     | 18   | 450A | 1          |
| BACB30VT6K4   |                     | 18   | 570  | 5          |
| BACB30VT6K5   |                     | 18   | 561  | 2          |
|               |                     | 18   | 573  | 1          |
| BACB30VU10K14 |                     | 1    | 552G | 4          |
|               |                     | 18   | 885  | 4          |
| BACB30VU6K12  |                     | 18   | 471A | 2          |
| BACB30VU6K13  |                     | 18   | 468A | 2          |
| BACB30VU6K4   |                     | 18   | 570A | 5          |
| BACB30VU6K5   |                     | 18   | 573B | 1          |
| BACC10EP16    |                     | 11   | 35   | 1          |
| BACC10EP6     |                     | 11   | 25   | 1          |
| BACC10GE12C   |                     | 4    | 70   | 1          |
| BACC10GT2-06  |                     | 4    | 92   | 2          |
|               |                     | 4    | 102  | 2          |
|               |                     | 4    | 115  | 12         |
| BACC10GT2-06P |                     | 4    | 92B  | 2          |
|               |                     | 4    | 102B | 2          |
|               |                     | 4    | 115A | 12         |
| BACC10GT3-06  |                     | 4    | 93   | 1          |
| BACC10GY300   |                     | 4    | 30   | 2          |
| BACC10HS16    |                     | 11   | 35A  | 1          |
| BACC10HS20    |                     | 12   | 15   | 4          |
| BACC10HS6     |                     | 4    | 91   | 1          |
|               |                     | 4    | 101  | 1          |
|               |                     | 4    | 113  | 6          |
|               |                     | 11   | 30   | 2          |

# 71-11-56

 ILLUSTRATED PARTS LIST  
 01.1 Page 1010L  
 Nov 01/04

| PART NUMBER | AIRLINE<br>PART NO. | FIG. | ITEM | TTL<br>REQ |
|-------------|---------------------|------|------|------------|
| BACC14AD06J |                     | 11   | 40   | 1          |
| BACC30AB5S  |                     | 3    | 212  | 8          |
| BACC30AB6S  |                     | 1    | 514A | 16         |
|             |                     | 1    | 515A | 32         |
|             |                     | 1    | 536A | 21         |
|             |                     | 1    | 536H | 17         |
|             |                     | 1    | 537A | 34         |
| BACC30AB8S  |                     | 5    | 66A  | 2          |
|             |                     | 5    | 67   | 3          |
|             |                     | 5    | 69   | 1          |
| BACC30AG5   |                     | 1    | 650  | 14         |
|             |                     | 18   | 351  | 14         |
| BACC30AG6   |                     | 1    | 608  | 28         |
|             |                     | 1    | 666G | 3          |
|             |                     | 1    | 668  | 3          |
|             |                     | 1    | 669P | 5          |
|             |                     | 1    | 669R | 4          |
|             |                     | 5    | 98   | 9          |
| BACC30AG6   |                     | 5    | 524  | 2          |
|             |                     | 5    | 525  | 2          |
|             |                     | 18   | 474  | 32         |
|             |                     | 18   | 486  | 3          |
|             |                     | 18   | 534  | 25         |
|             |                     | 18   | 549  | 3          |
| BACC30BH6   |                     | 18   | 762  | 4          |
|             |                     | 18   | 789  | 3          |
|             |                     | 18   | 790  | 2          |
|             |                     | 18   | 809  | 1          |
|             |                     | 18   | 810  | 4          |
|             |                     | 18   | 811  | 1          |
| BACC30BH6S  |                     | 18   | 864A | 2          |
| BACC30BL5   |                     | 3    | 212A | 8          |
|             |                     | 18   | 351A | 14         |
|             |                     | 21   | 105  | 8          |
| BACC30BL6   |                     | 18   | 474A | 32         |
|             |                     | 18   | 486A | 3          |
|             |                     | 18   | 567  | 2          |
|             |                     | 18   | 576  | 6          |

**71-11-56**

ILLUSTRATED PARTS LIST  
01.1 Page 1010M  
Nov 01/04

| PART NUMBER | AIRLINE<br>PART NO. | FIG. | ITEM | TTL<br>REQ |
|-------------|---------------------|------|------|------------|
| BACC30BS5S  |                     | 7    | 346  | 2          |
|             |                     | 7    | 348A | 3          |
| BACC30M5    |                     | 1    | 648  | 45         |
|             |                     | 1    | 649  | 4          |
|             |                     | 1    | 716  | 54         |
|             |                     | 1    | 716H | 1          |
|             |                     | 3    | 170  | 40         |
|             |                     | 3    | 202  | 32         |
|             |                     | 4    | 181  | 4          |
|             |                     | 4    | 245  | 2          |
|             |                     | 5    | 42   | 19         |
|             |                     | 5    | 250  | 6          |
|             |                     | 7    | 185  | 24         |
|             |                     | 7    | 345  | 10         |
|             |                     | 7    | 348  | 3          |
|             |                     | 7    | 349  | 1          |
|             |                     | 7    | 350  | 22         |
|             |                     | 7    | 580  | 2          |
|             |                     | 7    | 706  | 4          |
| BACC30M5    |                     | 7    | 845  | 9          |
|             |                     | 8    | 150  | 1          |
|             |                     | 9    | 520  | 2          |
|             |                     | 14   | 110  | 4          |
|             |                     | 17   | 67   | 2          |
|             |                     | 17   | 315  | 2          |
|             |                     | 18   | 348  | 16         |
|             |                     | 18   | 369  | 24         |
|             |                     | 18   | 375  | 8          |
|             |                     | 18   | 390  | 4          |
|             |                     | 18   | 684  | 20         |
|             |                     | 18   | 687  | 2          |
|             |                     | 18   | 702  | 37         |
|             |                     | 21   | 255  | 42         |
|             |                     | 21   | 295  | 32         |
|             |                     | 23   | 150  | 1          |
|             |                     | 25   | 580  | 2          |
|             |                     | 25   | 625  | 2          |
|             |                     | 25   | 885  | 88         |
|             |                     | 25   | 900  | 5          |

# 71-11-56

 ILLUSTRATED PARTS LIST  
 01.1 Page 1010N  
 Nov 01/04



| PART NUMBER | AIRLINE<br>PART NO. | FIG. | ITEM | TTL<br>REQ |
|-------------|---------------------|------|------|------------|
| BACC30M6    |                     | 1    | 545X | 6          |
|             |                     | 1    | 588  | 3          |
|             |                     | 1    | 606  | 16         |
|             |                     | 1    | 649H | 5          |
|             |                     | 1    | 734  | 84         |
|             |                     | 1    | 735  | 4          |
|             |                     | 1    | 895  | 6          |
|             |                     | 2    | 40   | 4          |
|             |                     | 2    | 95   | 2          |
|             |                     | 2    | 537  | 6          |
|             |                     | 2    | 625  | 12         |
|             |                     | 2    | 825  | 13         |
|             |                     | 3    | 10   | 36         |
|             |                     | 4    | 20   | 1          |
|             |                     | 4    | 200A | 7          |
|             |                     | 4    | 220  | 2          |
|             |                     | 4    | 280  | 3          |
|             |                     | 4    | 360A | 2          |
|             |                     | 5    | 64   | 30         |
|             |                     | 5    | 66   | 2          |
|             |                     | 5    | 68   | 2          |
|             | 5                   | 96   | 13   |            |
|             | 5                   | 330  | 4    |            |
|             | 5                   | 435  | 8    |            |
|             | 7                   | 40   | 31   |            |

**71-11-56**

ILLUSTRATED PARTS LIST  
01.1 Page 10100  
Nov 01/04

| PART NUMBER | AIRLINE<br>PART NO. | FIG. | ITEM | TTL<br>REQ |
|-------------|---------------------|------|------|------------|
| BACC30M6    |                     | 7    | 187  | 4          |
|             |                     | 7    | 420  | 9          |
|             |                     | 7    | 425  | 10         |
|             |                     | 10   | 125  | 4          |
|             |                     | 12   | 40   | 8          |
|             |                     | 13   | 30   | 138        |
|             |                     | 13   | 70   | 9          |
|             |                     | 18   | 387  | 5          |
|             |                     | 18   | 414  | 3          |
|             |                     | 18   | 447  | 19         |
|             |                     | 18   | 498  | 2          |
|             |                     | 18   | 513  | 2          |
|             |                     | 18   | 552  | 8          |
|             |                     | 18   | 558  | 3          |
|             |                     | 18   | 720  | 43         |
|             |                     | 18   | 721  | 4          |
|             |                     | 18   | 840  | 1          |
|             |                     | 18   | 858  | 44         |
|             |                     | 20   | 50   | 6          |
|             |                     | 21   | 10   | 36         |
|             |                     | 25   | 75   | 2          |
|             |                     | 25   | 120  | 12         |
|             |                     | 25   | 180  | 12         |
|             |                     | 25   | 265  | 2          |
|             |                     | 25   | 430  | 4          |
|             |                     | 25   | 560  | 6          |
|             |                     | 25   | 605  | 1          |
|             |                     | 25   | 650  | 2          |
|             |                     | 25   | 735  | 4          |
|             |                     | 26   | 75   | 4          |
| BACC30M8    |                     | 2    | 605  | 12         |
|             |                     | 2    | 885  | 3          |
|             |                     | 2    | 895  | 2          |
|             |                     | 5    | 63   | 7          |
|             |                     | 5    | 97   | 7          |
|             |                     | 5    | 300  | 4          |
| BACC30X5    |                     | 7    | 415  | 2          |
|             |                     | 25   | 115  | 12         |
|             |                     | 3    | 151G | 6          |
|             |                     | 3    | 180  | 7          |
|             |                     | 15   | 15   | 7          |
|             |                     | 21   | 195  | 6          |
|             | 21                  | 275  | 7    |            |

# 71-11-56

 ILLUSTRATED PARTS LIST  
 01.1 Page 1010P  
 Nov 01/04

| PART NUMBER | AIRLINE<br>PART NO. | FIG. | ITEM | TTL<br>REQ |
|-------------|---------------------|------|------|------------|
| BACC30X5S   |                     | 4    | 335  | 4          |
|             |                     | 7    | 690  | 8          |
| BACC30X5S   |                     | 7    | 698  | 4          |
|             |                     | 14   | 70   | 8          |
|             |                     | 14   | 90   | 4          |
|             |                     | 1    | 738  | 4          |
| BACC30X6    |                     | 1    | 738E | 3          |
|             |                     | 1    | 738J | 2          |
|             |                     | 1    | 738P | 4          |
|             |                     | 1    | 738U | 2          |
|             |                     | 2    | 105  | 2          |
|             |                     | 1    | 766  | 2          |
| BACC30X6S   |                     | 2    | 105A | 2          |
|             |                     | 7    | 676  | 6          |
|             |                     | 14   | 40   | 6          |
|             |                     | 18   | 864  | 2          |
|             |                     | 25   | 270  | 2          |
|             |                     | 25   | 695  | 12         |
|             |                     | 1    | 611  | 7          |
| BACC30X6SW  |                     | 1    | 614  | 2          |
|             |                     | 1    | 615  | 2          |
|             |                     | 18   | 432  | 6          |
|             |                     | 18   | 492  | 2          |
|             |                     | 18   | 507  | 2          |
|             |                     | 18   | 537A | 7          |
|             |                     | 5    | 315  | 3          |
| BACC30X8S   |                     | 1    | 618  | 4          |
| BACC30X8SW  |                     | 18   | 435  | 7          |
| BACC30ZV5   |                     | 7    | 347  | 2          |
|             |                     | 7    | 351  | 2          |
|             |                     | 7    | 352  | 2          |

**71-11-56**

ILLUSTRATED PARTS LIST  
01.1 Page 1010Q  
Nov 01/04

| PART NUMBER     | AIRLINE<br>PART NO. | FIG. | ITEM | TTL<br>REQ |
|-----------------|---------------------|------|------|------------|
| BACD40B3-9-5-30 |                     | 4    | 80   | 1          |
| BACD40D5-37-30  |                     | 12   | 20   | 1          |
| BACF3F009L046NN |                     | 2    | 55   | 2          |
|                 |                     | 25   | 25   | 1          |
|                 |                     | 25   | 225  | 6          |
|                 |                     | 25   | 540  | 2          |
| BACF3F017L044NE |                     | 25   | 755  | 1          |
| BACF3F021L040NE |                     | 25   | 710  | 1          |
| BACF3H07DK007HN |                     | 7    | 137  | 1          |
| BACF3H07JM007HN |                     | 7    | 467  | 3          |
| BACF3H09GP030HN |                     | 2    | 945  | 1          |
|                 |                     | 25   | 980  | 1          |
| BACF3T01B09G09  |                     | 9    | 70D  | 1          |
| BACF3T01G6-7    |                     | 7    | 935  | 1          |
| BACF3T01G7-7    |                     | 7    | 930  | 2          |
| BACF3T03C10-14  |                     | 17   | 320  | 1          |
| BACF3T03E8-8    |                     | 1    | 487  | 1          |
|                 |                     | 18   | 27   | 1          |
| BACF3T06F09G09  |                     | 9    | 70C  | 1          |
| BACH5M0150AAN   |                     | 4    | 175  | 1          |
| BACJ40A21-8     |                     | 4    | 25   | 1          |
| BACL10E125-250  |                     | 7    | 694  | 1          |
| BACL10E125-330  |                     | 7    | 692  | 1          |
|                 |                     | 14   | 75   | 1          |
| BACN10HR4       |                     | 7    | 290  | 4          |
| BACN10JC06C     |                     | 6    | 105  | 2          |
| BACN10JC08CD    |                     | 9    | 170  | 17         |
|                 |                     | 9    | 233  | 6          |
| BACN10JC3       |                     | 2    | 380  | 4          |
|                 |                     | 4    | 96   | 1          |
|                 |                     | 5    | 30   | 1          |
|                 |                     | 7    | 636  | 1          |
|                 |                     | 25   | 780  | 4          |

# 71-11-56

 ILLUSTRATED PARTS LIST  
 01.1 Page 1010R  
 Nov 01/04

| PART NUMBER   | AIRLINE<br>PART NO. | FIG. | ITEM | TTL<br>REQ |
|---------------|---------------------|------|------|------------|
| BACN10JC3C    |                     | 1    | 526  | 8          |
|               |                     | 1    | 527  | 16         |
|               |                     | 1    | 541J | 8          |
|               |                     | 3    | 135  | 14         |
|               |                     | 21   | 125  | 14         |
| BACN10JC3CM   |                     | 1    | 580  | 2          |
|               |                     | 4    | 65   | 1          |
|               |                     | 7    | 648  | 2          |
|               |                     | 7    | 658  | 4          |
|               |                     | 11   | 20   | 2          |
| BACN10JC4CM   |                     | 4    | 10   | 1          |
|               |                     | 7    | 315  | 3          |
|               |                     | 7    | 554A | 1          |
| BACN10JC5CM   |                     | 7    | 606  | 3          |
| BACN10JC6CM   |                     | 7    | 622  | 3          |
| BACN10JD103AU |                     | 1    | 541M | 4          |
| BACN10JN08CD  |                     | 9    | 55   | 14         |
| BACN10JN08CM  |                     | 1    | 322  | 11         |
|               |                     | 5    | 395  | 1          |
|               |                     | 5    | 465  | 3          |
|               |                     | 19   | 90   | 11         |
|               |                     | 22   | 80   | 11         |
| BACN10JN4CD   |                     | 2    | 940  | 3          |
| BACN10JN4CD   |                     | 25   | 975  | 3          |
| BACN10JN4CM   |                     | 2    | 455  | 6          |
| BACN10JP06BCM |                     | 6    | 115  | 2          |
| BACN10JP08CCM |                     | 5    | 390  | 1          |
| BACN10JP3BCM  |                     | 4    | 300  | 2          |
|               |                     | 5    | 265  | 3          |
|               |                     | 12   | 50   | 4          |
| BACN10JR3     |                     | 3    | 250  | 6          |
| BACN10JR3CFD  |                     | 21   | 175  | 6          |
|               |                     | 2    | 150  | 2          |
|               |                     | 3    | 150  | 6          |
| BACN10JR3CFM  |                     | 3    | 155G | 2          |
|               |                     | 7    | 130  | 2          |
|               |                     | 21   | 220  | 2          |
|               |                     | 24   | 130  | 2          |
|               |                     | 25   | 400  | 2          |

**71-11-56**

ILLUSTRATED PARTS LIST  
01.1 Page 1010S  
Nov 01/04

| PART NUMBER  | AIRLINE<br>PART NO. | FIG. | ITEM | TTL<br>REQ |
|--------------|---------------------|------|------|------------|
| BACN10JR3CM  |                     | 1    | 316  | 1          |
|              |                     | 19   | 75   | 1          |
|              |                     | 22   | 65   | 1          |
|              |                     | 25   | 665  | 1          |
| BACN10JR3F   |                     | 2    | 765  | 32         |
|              |                     | 25   | 840  | 31         |
|              |                     | 25   | 845  | 1          |
|              |                     | 7    | 524  | 1          |
| BACN10JR4CD  |                     | 1    | 35   | 2          |
| BACN10JR4CFD |                     | 1    | 83   | 8          |
|              |                     | 1    | 83A  | 2          |
|              |                     | 1    | 83B  | 10         |
|              |                     | 1    | 131  | 6          |
|              |                     | 1    | 131A | 2          |
|              |                     | 1    | 131B | 4          |
|              |                     | 1    | 161  | 2          |
|              |                     | 1    | 193  | 4          |
|              |                     | 1    | 223  | 4          |
|              |                     | 1    | 259  | 4          |
|              |                     | 7    | 524A | 1          |
|              |                     | 18   | 51   | 2          |
|              |                     | 18   | 96   | 10         |
|              |                     | 18   | 96A  | 8          |
|              |                     | 18   | 96B  | 2          |
|              |                     | 18   | 138  | 4          |
|              |                     | 18   | 138A | 6          |
|              |                     | 18   | 138B | 2          |
| BACN10JR4CFD |                     | 18   | 168  | 2          |
|              |                     | 18   | 201  | 4          |
|              |                     | 18   | 240  | 4          |
|              |                     | 18   | 279  | 4          |
| BACN10KB3    |                     | 2    | 340  | 2          |
|              |                     | 25   | 945  | 2          |
| BACN10KB3CFD |                     | 1    | 323  | 1          |
|              |                     | 2    | 535  | 4          |
|              |                     | 9    | 40   | 14         |
|              |                     | 9    | 95   | 1          |
|              |                     | 9    | 107  | 1          |
|              |                     | 9    | 130  | 2          |
|              |                     | 9    | 147  | 2          |
|              |                     | 19   | 85   | 1          |
|              |                     | 22   | 75   | 1          |
|              |                     | 25   | 550  | 4          |
|              |                     | 25   | 850  | 1          |

# 71-11-56

 ILLUSTRATED PARTS LIST  
 01.1 Page 1010T  
 Nov 01/04

| PART NUMBER   | AIRLINE<br>PART NO. | FIG. | ITEM | TTL<br>REQ |    |
|---------------|---------------------|------|------|------------|----|
| BACN10KB4CFD  |                     | 1    | 29   | 2          |    |
|               |                     | 1    | 71   | 8          |    |
|               |                     | 1    | 73A  | 2          |    |
|               |                     | 1    | 73B  | 10         |    |
|               |                     | 1    | 125  | 6          |    |
|               |                     | 1    | 125A | 2          |    |
|               |                     | 1    | 125B | 4          |    |
|               |                     | 1    | 155  | 2          |    |
|               |                     | 1    | 188  | 4          |    |
|               |                     | 1    | 217  | 4          |    |
|               |                     | 1    | 253  | 4          |    |
|               |                     | 18   | 45   | 2          |    |
|               |                     | 18   | 90   | 10         |    |
|               |                     | 18   | 90A  | 8          |    |
|               |                     | 18   | 90B  | 2          |    |
|               |                     | 18   | 132  | 4          |    |
|               |                     | 18   | 132A | 6          |    |
|               |                     | 18   | 132B | 2          |    |
|               |                     | 18   | 162  | 2          |    |
|               |                     | 18   | 195  | 4          |    |
|               |                     | 18   | 234  | 4          |    |
|               |                     | 18   | 273  | 4          |    |
|               | BACN10KB4CFM        |      | 2    | 75         | 2  |
|               |                     |      | 25   | 445        | 2  |
|               | BACN10KE3B2CM       |      | 2    | 785        | 12 |
|               |                     |      | 17   | 50         | 1  |
|               |                     |      | 17   | 95         | 1  |
|               | BACN10KE3B2CM       |      | 17   | 130        | 1  |
|               |                     | 17   | 165  | 1          |    |
|               |                     | 17   | 210  | 1          |    |
|               |                     | 17   | 245  | 1          |    |
| BACN10KE3B3CD |                     | 9    | 45   | 8          |    |
| BACN10KE3B3CM |                     | 1    | 319A | 12         |    |
|               |                     | 19   | 80   | 12         |    |
|               |                     | 22   | 70   | 12         |    |
| BACN10KE3DCM  |                     | 3    | 155  | 4          |    |
|               |                     | 21   | 215  | 4          |    |
| BACN10KE3E2CD |                     | 17   | 287  | 1          |    |
| BACN10KE3E2CM |                     | 17   | 100  | 1          |    |
|               |                     | 17   | 135  | 1          |    |
|               |                     | 17   | 170  | 1          |    |
|               |                     | 17   | 215  | 1          |    |
|               |                     | 17   | 250  | 1          |    |

**71-11-56**

ILLUSTRATED PARTS LIST  
01.1 Page 1010U  
Nov 01/04

| PART NUMBER  | AIRLINE<br>PART NO. | FIG. | ITEM | TTL<br>REQ |
|--------------|---------------------|------|------|------------|
| BACN10KE4ACD |                     | 2    | 915  | 1          |
| BACN10KE4DCD |                     | 1    | 499  | 54         |
|              |                     | 18   | 33   | 54         |
| BACN10KE4DCM |                     | 1    | 499A | 54         |
| BACN10KH3CD  |                     | 9    | 60   | 3          |
| BACN10XJ6    |                     | 17   | 25   | 10         |
| BACN10YR3C   |                     | 11   | 20A  | 2          |
| BACN10YR3CM  |                     | 4    | 96B  | 1          |
|              |                     | 4    | 109  | 2          |
| BACN103B2CD  |                     | 2    | 785A | 12         |
| BACP11K6     |                     | 4    | 123  | 1          |
| BACR15BA3AD  |                     | 1    | 313  | 50         |
|              |                     | 2    | 145  | 4          |
|              |                     | 2    | 450A | 12         |
|              |                     | 2    | 530  | 8          |
|              |                     | 2    | 760  | 64         |
|              |                     | 2    | 910  | 2          |
|              |                     | 2    | 935  | 6          |
|              |                     | 5    | 385  | 4          |
|              |                     | 5    | 460  | 6          |
|              |                     | 7    | 125  | 4          |
|              |                     | 9    | 30   | 74         |
|              |                     | 9    | 90   | 2          |
|              |                     | 9    | 106  | 2          |
|              |                     | 9    | 125  | 4          |
|              |                     | 9    | 146  | 4          |
| BACR15BA3AD  |                     | 17   | 45   | 2          |
|              |                     | 17   | 90   | 4          |
|              |                     | 17   | 286  | 2          |
|              |                     | 18   | 30   | 108        |
|              |                     | 19   | 70   | 50         |
|              |                     | 22   | 60   | 50         |
|              |                     | 24   | 125  | 4          |
|              |                     | 25   | 395  | 4          |
|              |                     | 25   | 545  | 8          |
|              |                     | 25   | 835  | 64         |
|              |                     | 25   | 970  | 6          |

# 71-11-56

 ILLUSTRATED PARTS LIST  
 01.1 Page 1010V  
 Nov 01/04



| PART NUMBER    | AIRLINE<br>PART NO. | FIG. | ITEM | TTL<br>REQ |
|----------------|---------------------|------|------|------------|
| BACR15BA3AD2   |                     | 2    | 335  | 4          |
|                |                     | 25   | 940  | 4          |
| BACR15BA3AD3   |                     | 25   | 660  | 2          |
| BACR15BA3B     |                     | 1    | 496  | 108        |
| BACR15BA3D     |                     | 17   | 125  | 4          |
|                |                     | 17   | 160  | 4          |
|                |                     | 17   | 205  | 4          |
|                |                     | 17   | 240  | 4          |
|                |                     | 17   | 430  | 6          |
|                |                     | 17   | 715  | 15         |
| BACR15BA4AD    |                     | 2    | 717  | 6          |
| BACR15BA5A     |                     | 2    | 717  | 6          |
|                |                     | 25   | 795  | 6          |
|                |                     | 9    | 225  | 6          |
| BACR15BA5B6    |                     | 9    | 226  | 6          |
|                |                     | 9    | 226  | 6          |
| BACR15BA5D     |                     | 7    | 800  | 18         |
|                |                     | 7    | 805  | 18         |
| BACR15BA5D5    |                     | 7    | 708  | 2          |
|                |                     | 14   | 115  | 2          |
|                |                     | 13   | 47A  | 1          |
| BACR15BA8KE17C |                     | 13   | 55A  | 5          |
| BACR15BA8KE19C |                     | 13   | 45A  | 5          |
| BACR15BA8KE22C |                     | 13   | 45A  | 5          |
| BACR15BB3AD    |                     | 2    | 70   | 4          |
|                |                     | 5    | 230  | 13         |
|                |                     | 25   | 440  | 4          |
| BACR15BB3B     |                     | 1    | 41   | 2          |
|                |                     | 1    | 95   | 8          |
|                |                     | 1    | 95A  | 2          |
|                |                     | 1    | 95B  | 10         |
|                |                     | 1    | 137  | 6          |
|                |                     | 1    | 137A | 2          |
|                |                     | 1    | 137B | 4          |
|                |                     | 1    | 137B | 4          |

**71-11-56**

ILLUSTRATED PARTS LIST  
01.1 Page 1010W  
Nov 01/04

| PART NUMBER | AIRLINE<br>PART NO. | FIG. | ITEM | TTL<br>REQ |    |
|-------------|---------------------|------|------|------------|----|
| BACR15BB3B  |                     | 1    | 167  | 2          |    |
|             |                     | 1    | 199  | 4          |    |
|             |                     | 1    | 229  | 4          |    |
|             |                     | 1    | 265  | 4          |    |
|             |                     | 18   | 57   | 2          |    |
|             |                     | 18   | 102  | 10         |    |
|             |                     | 18   | 102A | 8          |    |
|             |                     | 18   | 102B | 2          |    |
|             |                     | 18   | 144  | 4          |    |
|             |                     | 18   | 144A | 6          |    |
|             |                     | 18   | 144B | 2          |    |
|             |                     | 18   | 174  | 2          |    |
|             |                     | 18   | 207  | 4          |    |
|             |                     | 18   | 246  | 4          |    |
|             |                     | 18   | 285  | 4          |    |
|             | BACR15BB5AD         |      | 1    | 704        | 5  |
|             |                     |      | 2    | 130        | 1  |
|             |                     |      | 7    | 160        | 21 |
|             |                     | 8    | 90   | 5          |    |
|             |                     | 10   | 20   | 9          |    |
|             |                     | 10   | 50   | 10         |    |
|             |                     | 18   | 672  | 1          |    |
|             |                     | 18   | 843  | 2          |    |
|             |                     | 19   | 12   | 6          |    |
|             |                     | 19   | 35   | 2          |    |
|             |                     | 22   | 15   | 8          |    |
|             |                     | 23   | 65   | 5          |    |
| BACR15BB6AD |                     | 25   | 190  | 75         |    |
|             |                     | 26   | 20   | 7          |    |
|             |                     | 26   | 50   | 10         |    |
|             |                     | 2    | 135  | 1          |    |
|             |                     | 10   | 90   | 4          |    |
|             |                     | 10   | 105  | 4          |    |
|             |                     | 24   | 10   | 10         |    |
|             |                     | 25   | 280  | 10         |    |
|             |                     | 25   | 450  | 35         |    |

**71-11-56**

ILLUSTRATED PARTS LIST  
01.1 Page 1010X  
Nov 01/04

| PART NUMBER               | AIRLINE<br>PART NO. | FIG. | ITEM | TTL<br>REQ |
|---------------------------|---------------------|------|------|------------|
| BACR15BB6D                |                     | 25   | 125B | 48         |
|                           |                     | 25   | 185B | 36         |
|                           |                     | 25   | 275B | 18         |
|                           |                     | 25   | 435B | 8          |
|                           |                     | 25   | 680  | 7          |
|                           |                     | 25   | 720  | 7          |
| BACR15CE3B                |                     | 1    | 26   | 8          |
|                           |                     | 1    | 65   | 32         |
|                           |                     | 1    | 65A  | 8          |
| BACR15CE3B                |                     | 1    | 65B  | 40         |
|                           |                     | 1    | 122  | 24         |
|                           |                     | 1    | 122A | 8          |
|                           |                     | 1    | 122B | 16         |
|                           |                     | 1    | 152  | 8          |
|                           |                     | 1    | 185  | 16         |
|                           |                     | 1    | 214  | 16         |
|                           |                     | 1    | 250  | 16         |
|                           |                     | 18   | 42   | 8          |
|                           |                     | 18   | 87   | 40         |
|                           |                     | 18   | 87A  | 32         |
|                           |                     | 18   | 87B  | 8          |
|                           |                     | 18   | 129  | 16         |
|                           |                     | 18   | 129A | 24         |
|                           |                     | 18   | 129B | 8          |
|                           |                     | 18   | 159  | 8          |
|                           |                     | 18   | 192  | 16         |
|                           | BACR15CE3D          |      | 18   | 231        |
|                           |                     | 18   | 270  | 16         |
|                           |                     | 2    | 780  | 24         |
|                           |                     | 3    | 245  | 12         |
|                           |                     | 9    | 35   | 4          |
|                           |                     | 12   | 45A  | 8          |
| BACR15CE3D3<br>BACR15CE3M |                     | 21   | 170  | 12         |
|                           |                     | 3    | 145  | 12         |
|                           |                     | 3    | 154  | 12         |
|                           |                     | 4    | 295  | 8          |
|                           |                     | 5    | 260  | 6          |
|                           |                     | 6    | 40   | 3          |
|                           |                     | 6    | 110  | 4          |
|                           |                     | 6    | 120  | 7          |
|                           |                     | 6    | 175  | 3          |
|                           |                     | 6    | 191  | 3          |
|                           |                     | 21   | 210  | 12         |

**71-11-56**

ILLUSTRATED PARTS LIST  
01.1 Page 1010Y  
Nov 01/04

| PART NUMBER   | AIRLINE<br>PART NO. | FIG. | ITEM | TTL<br>REQ |
|---------------|---------------------|------|------|------------|
| BACR15CE4B    |                     | 1    | 545D | 87         |
| BACR15CE4D    |                     | 1    | 882  | 91         |
|               |                     | 20   | 10   | 91         |
|               |                     | 20   | 80   | 91         |
| BACR15CE5D    |                     | 1    | 658B | 1          |
|               |                     | 1    | 709  | 7          |
|               |                     | 7    | 215A | 2          |
|               |                     | 7    | 535  | 20         |
|               |                     | 7    | 750  | 40         |
| BACR15CE5D    |                     | 9    | 65   | 2          |
|               |                     | 9    | 110  | 2          |
|               |                     | 9    | 420  | 2          |
|               |                     | 9    | 455  | 6          |
|               |                     | 9    | 522A | 1          |
|               |                     | 18   | 354  | 1          |
|               |                     | 18   | 692  | 7          |
| BACR15CE5KE   |                     | 1    | 307  | 7          |
|               |                     | 1    | 658  | 1          |
|               |                     | 2    | 125  | 1          |
|               |                     | 17   | 280  | 5          |
|               |                     | 17   | 425  | 37         |
|               |                     | 18   | 692A | 7          |
|               |                     | 19   | 10   | 6          |
|               |                     | 19   | 95   | 1          |
|               |                     | 22   | 10   | 6          |
|               |                     | 22   | 85   | 1          |
|               |                     | 25   | 860  | 2          |
| BACR15CE5M    |                     | 17   | 345  | 23         |
|               |                     | 17   | 350  | 1          |
| BACR15CE6D    |                     | 1    | 656A | 1          |
|               |                     | 1    | 707  | 14         |
|               |                     | 7    | 518  | 1          |
|               |                     | 7    | 520  | 1          |
|               |                     | 18   | 477  | 1          |
|               |                     | 18   | 846A | 14         |
| BACR15CE6KE   |                     | 1    | 656  | 1          |
|               |                     | 1    | 706  | 4          |
|               |                     | 24   | 15   | 1          |
|               |                     | 25   | 285  | 1          |
| BACR15CE6KE7  |                     | 13   | 10   | 4          |
| BACR15CE8KE17 |                     | 13   | 47   | 1          |
|               |                     | 13   | 50   | 4          |
| BACR15CE8KE19 |                     | 13   | 55   | 5          |
| BACR15CE8KE20 |                     | 13   | 40   | 6          |
| BACR15CE8KE22 |                     | 13   | 45   | 5          |

# 71-11-56

 ILLUSTRATED PARTS LIST  
 01.1 Page 1010Z  
 Nov 01/04

| PART NUMBER  | AIRLINE<br>PART NO. | FIG. | ITEM | TTL<br>REQ |
|--------------|---------------------|------|------|------------|
| BACR15DR3AC  |                     | 7    | 518A | 1          |
| BACR15DR3A3D |                     | 2    | 388  | 3          |
|              |                     | 2    | 845  | 3          |
|              |                     | 2    | 960  | 3          |
| BACR15FP5MP  |                     | 13   | 12   | 4          |
| BACR15FP5MP5 |                     | 1    | 308A | 3          |
| BACR15FP5MP5 |                     | 19   | 105  | 3          |
|              |                     | 22   | 95   | 3          |
| BACR15FR5MP5 |                     | 9    | 262A | 3          |
| BACR15FT5D   |                     | 1    | 658A | 1          |
|              |                     | 7    | 365  | 4          |
|              |                     | 7    | 366  | 5          |
|              |                     | 7    | 370  | 4          |
|              |                     | 7    | 830  | 10         |
|              |                     | 9    | 280  | 2          |
|              |                     | 9    | 292  | 6          |
|              |                     | 9    | 335  | 2          |
|              |                     | 9    | 460  | 6          |
| BACR15FT5KE  |                     | 1    | 702  | 6          |
|              |                     | 17   | 30   | 2          |
|              |                     | 17   | 275  | 4          |
|              |                     | 17   | 355  | 2          |
| BACR15FT5KE3 |                     | 5    | 40A  | 13         |
| BACR15FT6D   |                     | 9    | 330  | 10         |
|              |                     | 25   | 125  | 48         |
|              |                     | 25   | 185  | 36         |
|              |                     | 25   | 275  | 18         |
|              |                     | 25   | 435  | 8          |
| BACR15FT6KE  |                     | 2    | 45   | 8          |
|              |                     | 2    | 110  | 18         |
|              |                     | 2    | 610  | 36         |
|              |                     | 10   | 15   | 9          |
|              |                     | 10   | 45   | 9          |
|              |                     | 17   | 15   | 10         |
|              |                     | 17   | 185  | 2          |
|              |                     | 25   | 125A | 48         |
|              |                     | 25   | 185A | 36         |
|              |                     | 25   | 275A | 18         |
|              |                     | 25   | 435A | 8          |
|              |                     | 25   | 740  | 8          |
|              |                     | 26   | 15   | 9          |
|              |                     | 26   | 45   | 9          |

**71-11-56**

ILLUSTRATED PARTS LIST  
01.1 Page 1011  
Nov 01/04

| PART NUMBER     | AIRLINE<br>PART NO. | FIG. | ITEM | TTL<br>REQ |
|-----------------|---------------------|------|------|------------|
| BACS12CK06U5    |                     | 6    | 65   | 2          |
|                 |                     | 6    | 95   | 2          |
| BACS12CK3U8     |                     | 4    | 35   | 2          |
|                 |                     | 4    | 60   | 1          |
|                 |                     | 4    | 85   | 1          |
|                 |                     | 4    | 106  | 6          |
|                 |                     | 12   | 5    | 4          |
| BACS12CK4U8     |                     | 4    | 5    | 1          |
| BACS13BX06H     |                     | 4    | 130  | 1          |
|                 |                     | 4    | 150  | 2          |
| BACS13BX06HP    |                     | 4    | 150A | 2          |
| BACS40R004F041F |                     | 18   | 669  | 1          |
| BACS40R006W044  |                     | 4    | 55   | 1          |
| BACS40R007B010F |                     | 1    | 512A | 1          |
| BACS40R007C010F |                     | 7    | 925  | 1          |
| BACS40R007C012F |                     | 7    | 920  | 1          |
| BACS40R007C017F |                     | 9    | 510  | 1          |
| BACS40R007D011F |                     | 19   | 120  | 1          |
|                 |                     | 22   | 110  | 1          |
| BACS40R007E009F |                     | 9    | 75   | 2          |
| BACS40R008B017F |                     | 25   | 675  | 1          |
| BACS40R008C030F |                     | 2    | 955  | 2          |
| BACS40R008D030F |                     | 7    | 686A | 2          |
|                 |                     | 14   | 60   | 2          |
| BACS40R009B009F |                     | 2    | 50A  | 2          |
|                 |                     | 25   | 20   | 1          |
|                 |                     | 25   | 220  | 6          |
|                 |                     | 25   | 535  | 2          |
| BACS40R009B017F |                     | 25   | 750  | 1          |
| BACS40R009B031F |                     | 3    | 235  | 1          |
| BACS40R009B033F |                     | 18   | 592  | 1          |
| BACS40R009B041F |                     | 3    | 240  | 1          |
| BACS40R009B072F |                     | 25   | 410  | 1          |

# 71-11-56

 ILLUSTRATED PARTS LIST  
 01.1 Page 1012  
 Nov 01/04

| PART NUMBER     | AIRLINE<br>PART NO. | FIG. | ITEM | TTL<br>REQ |
|-----------------|---------------------|------|------|------------|
| BACS40R009C015F |                     | 4    | 340  | 2          |
| BACS40R009C021F |                     | 2    | 678  | 6          |
|                 |                     | 25   | 160  | 6          |
| BACS40R009C030F |                     | 2    | 855  | 1          |
| BACS40R009C053F |                     | 7    | 145A | 1          |
| BACS40R009C067F |                     | 7    | 135A | 1          |
| BACS40R009C090F |                     | 7    | 150A | 1          |
| BACS40R009C332F |                     | 7    | 140A | 1          |
| BACS40R009D031F |                     | 3    | 235B | 1          |
|                 |                     | 21   | 160  | 1          |
| BACS40R009D041F |                     | 3    | 240B | 1          |
|                 |                     | 21   | 165  | 1          |
| BACS40R010B022F |                     | 25   | 705  | 1          |
| BACS40R010C017F |                     | 4    | 230A | 1          |
| BACS40R010C020F |                     | 2    | 805  | 1          |
|                 |                     | 7    | 538A | 1          |
| BACS40R010C031F |                     | 2    | 950  | 1          |
| BACS40R010C039F |                     | 7    | 540A | 2          |
| BACS40R011B028F |                     | 13   | 100A | 1          |
| BACS40R011B033F |                     | 13   | 85A  | 1          |
| BACS40R011B035F |                     | 13   | 85B  | 1          |
| BACS40R011C022F |                     | 2    | 677  | 6          |
|                 |                     | 25   | 150  | 6          |
| BACS40R011E037F |                     | 3    | 217A | 2          |
|                 |                     | 21   | 145  | 2          |
| BACS40R017D033F |                     | 2    | 679  | 6          |
|                 |                     | 25   | 155  | 6          |
| BACS40R019C041F |                     | 7    | 155A | 1          |
| BACS40R021B029F |                     | 13   | 75A  | 1          |
| BACS40R021B035F |                     | 13   | 90A  | 1          |
| BACS40R022C058F |                     | 13   | 95A  | 1          |
| BACS40R022C065F |                     | 13   | 80A  | 1          |

**71-11-56**

ILLUSTRATED PARTS LIST  
01.1 Page 1012A  
Nov 01/04

| PART NUMBER     | AIRLINE<br>PART NO. | FIG. | ITEM | TTL<br>REQ |
|-----------------|---------------------|------|------|------------|
| BACS40R023C030F |                     | 1    | 754  | 1          |
|                 |                     | 18   | 777  | 1          |
| BACS40R07D011F  |                     | 1    | 289  | 1          |
| BACS40R08C16F   |                     | 7    | 650  | 1          |
| BACS40R10C42F   |                     | 5    | 355  | 1          |
| BACS40R11B33F   |                     | 13   | 85   | 1          |
| BACS40R21B29F   |                     | 13   | 75   | 1          |
| BACS40R21B35F   |                     | 13   | 90   | 1          |
| BACS40R22C58F   |                     | 13   | 95   | 1          |
| BACS40R22C65F   |                     | 13   | 80   | 1          |
| BACS40R38C49F   |                     | 5    | 345A | 1          |
| BACS40R7B10F    |                     | 1    | 513  | 2          |
| BACS53B1EA1     |                     | 25   | 585  | 1          |
|                 |                     | 25   | 630  | 1          |
|                 |                     | 25   | 655  | 2          |
| BACU24AA0604J   |                     | 4    | 170  | 1          |
| BACU24AB6H      |                     | 4    | 140  | 1          |
|                 |                     | 11   | 55   | 1          |
|                 |                     | 11   | 60   | 2          |
| BACW10BM3D      |                     | 7    | 37   | 11         |
| BACW10BN6SC     |                     | 7    | 596  | 3          |
| BACW10BN6SP     |                     | 4    | 270  | 3          |
| BACW10BN7SC     |                     | 7    | 612  | 3          |
| BACW10BP5ACU    |                     | 7    | 544  | 1          |
| BACW10P116S     |                     | 7    | 300B | 3          |
| BACW10P253S     |                     | 4    | 165A | 2          |
| BAC27EPPS10048  |                     | 7    | 719A | 1          |
|                 |                     | 14   | 145  | 1          |
| BAC27TPP0489    |                     | 2    | 475  | 1          |
| BAC27TPP0490    |                     | 2    | 485  | 1          |
| BAC27TPP0491    |                     | 2    | 480  | 1          |
| BAC27TPP0492    |                     | 2    | 490  | 1          |
| BAC27TPP0493    |                     | 4    | 370  | 1          |
| BAC27TPP0494    |                     | 4    | 375  | 1          |
| BAC27TTR0025    |                     | 2    | 460  | 6          |
|                 |                     | 25   | 985  | 6          |
| BAC27TTR0035    |                     | 7    | 940  | 1          |
| BAC27TTR0036    |                     | 2    | 465  | 1          |
|                 |                     | 25   | 995  | 1          |
| BAC27TTR0042    |                     | 2    | 470  | 1          |
|                 |                     | 25   | 990  | 1          |
| BCREFA4913      |                     | 1    | 2J   | RF         |
| BCREFA4914      |                     | 1    | 6G   | RF         |
| BCREFA4954      |                     | 1    | 2K   | RF         |
| BCREFA4955      |                     | 1    | 6H   | RF         |
| BH00309-6       |                     | 17   | 25   | 10         |

# 71-11-56

 ILLUSTRATED PARTS LIST  
 01.1 Page 1012B  
 Nov 01/04



| PART NUMBER  | AIRLINE<br>PART NO. | FIG. | ITEM | TTL<br>REQ |
|--------------|---------------------|------|------|------------|
| BH00309-6S   |                     | 17   | 25   | 10         |
| BMNN10HR4    |                     | 7    | 290  | 4          |
| BMN10HR4     |                     | 7    | 290  | 4          |
| BRFM20C08D   |                     | 9    | 55   | 14         |
| BRFM20C08M   |                     | 1    | 322  | 11         |
|              |                     | 5    | 395  | 1          |
|              |                     | 5    | 465  | 3          |
|              |                     | 19   | 90   | 11         |
|              |                     | 22   | 80   | 11         |
| BRFM20C4D    |                     | 2    | 940  | 3          |
|              |                     | 25   | 975  | 3          |
| BRFM20C4M    |                     | 2    | 455  | 6          |
| BRFR120C3-2D |                     | 17   | 287  | 1          |
| BRFR120C3-2M |                     | 17   | 100  | 1          |
|              |                     | 17   | 135  | 1          |
|              |                     | 17   | 170  | 1          |
|              |                     | 17   | 215  | 1          |
|              |                     | 17   | 250  | 1          |
| BRFR220C3-2M |                     | 17   | 50   | 1          |
| BRFR220C3-2M |                     | 17   | 95   | 1          |
|              |                     | 17   | 130  | 1          |
|              |                     | 17   | 165  | 1          |
|              |                     | 17   | 210  | 1          |
|              |                     | 17   | 245  | 1          |
| BRFR220C3-3D |                     | 9    | 45   | 8          |
| BRFR220C3-3M |                     | 1    | 319A | 12         |
|              |                     | 19   | 80   | 12         |
|              |                     | 22   | 70   | 12         |
| BRFR220C4-10 |                     | 2    | 915  | 1          |
| BRF100C3D    |                     | 1    | 323  | 1          |
|              |                     | 2    | 535  | 4          |
|              |                     | 9    | 40   | 14         |
|              |                     | 9    | 95   | 1          |
|              |                     | 9    | 107  | 1          |
|              |                     | 9    | 130  | 2          |
|              |                     | 9    | 147  | 2          |
|              |                     | 19   | 85   | 1          |
|              |                     | 22   | 75   | 1          |
|              |                     | 25   | 550  | 4          |
|              |                     | 25   | 850  | 1          |

**71-11-56**

ILLUSTRATED PARTS LIST  
01.1 Page 1012C  
Nov 01/04

| PART NUMBER | AIRLINE<br>PART NO. | FIG. | ITEM | TTL<br>REQ |
|-------------|---------------------|------|------|------------|
| BRF100C4D   |                     | 1    | 29   | 2          |
|             |                     | 1    | 71   | 8          |
|             |                     | 1    | 73A  | 2          |
|             |                     | 1    | 73B  | 10         |
|             |                     | 1    | 125  | 6          |
|             |                     | 1    | 125A | 2          |
|             |                     | 1    | 125B | 4          |
|             |                     | 1    | 155  | 2          |
|             |                     | 1    | 188  | 4          |
|             |                     | 1    | 217  | 4          |
|             |                     | 1    | 253  | 4          |
|             |                     | 18   | 45   | 2          |
|             |                     | 18   | 90   | 10         |
|             |                     | 18   | 90A  | 8          |
|             |                     | 18   | 90B  | 2          |
|             |                     | 18   | 132  | 4          |
|             |                     | 18   | 132A | 6          |
|             |                     | 18   | 132B | 2          |
|             |                     | 18   | 162  | 2          |
|             |                     | 18   | 195  | 4          |
|             | 18                  | 234  | 4    |            |
|             | 18                  | 273  | 4    |            |
| BRF100C4M   |                     | 2    | 75   | 2          |
| BRF100C4M   |                     | 25   | 445  | 2          |
| BRF200A3    |                     | 2    | 765  | 32         |
|             |                     | 25   | 840  | 31         |
|             |                     | 25   | 845  | 1          |
| BRF200C3D   |                     | 3    | 250  | 6          |
|             |                     | 21   | 175  | 6          |
| BRF200C3M   |                     | 2    | 150  | 2          |
|             |                     | 3    | 150  | 6          |
|             |                     | 3    | 155G | 2          |
|             |                     | 7    | 130  | 2          |
|             |                     | 21   | 220  | 2          |
|             |                     | 24   | 130  | 2          |
|             |                     | 25   | 400  | 2          |

# 71-11-56

 ILLUSTRATED PARTS LIST  
 01.1 Page 1012D  
 Nov 01/04

| PART NUMBER | AIRLINE<br>PART NO. | FIG. | ITEM | TTL<br>REQ |   |
|-------------|---------------------|------|------|------------|---|
| BRF200C4D   |                     | 1    | 35   | 2          |   |
|             |                     | 1    | 83   | 8          |   |
|             |                     | 1    | 83A  | 2          |   |
|             |                     | 1    | 83B  | 10         |   |
|             |                     | 1    | 131  | 6          |   |
|             |                     | 1    | 131A | 2          |   |
|             |                     | 1    | 131B | 4          |   |
|             |                     | 1    | 161  | 2          |   |
|             |                     | 1    | 193  | 4          |   |
|             |                     | 1    | 223  | 4          |   |
|             |                     | 1    | 259  | 4          |   |
|             |                     | 7    | 524A | 1          |   |
|             |                     | 18   | 51   | 2          |   |
|             |                     | 18   | 96   | 10         |   |
|             |                     | 18   | 96A  | 8          |   |
|             |                     | 18   | 96B  | 2          |   |
|             |                     | 18   | 138  | 4          |   |
|             |                     | 18   | 138A | 6          |   |
|             |                     | 18   | 138B | 2          |   |
|             |                     | 18   | 168  | 2          |   |
|             |                     | 18   | 201  | 4          |   |
|             |                     | 18   | 240  | 4          |   |
|             |                     | 18   | 279  | 4          |   |
|             | BRH10A3             |      | 2    | 380        | 4 |
|             |                     |      | 4    | 96         | 1 |
|             |                     |      | 5    | 30         | 1 |
|             |                     |      | 7    | 636        | 1 |
|             |                     | 25   | 780  | 4          |   |
| BRH10C06    |                     | 6    | 105  | 2          |   |
|             | BRH10C3             | 1    | 526  | 8          |   |
| 1           |                     | 527  | 16   |            |   |
| 1           |                     | 541J | 8    |            |   |
| 3           |                     | 135  | 14   |            |   |
| 21          |                     | 125  | 14   |            |   |
| BRH10C3M    | 1                   | 580  | 2    |            |   |
|             | 4                   | 65   | 1    |            |   |
|             | 7                   | 648  | 2    |            |   |
|             | 7                   | 658  | 4    |            |   |
|             | 11                  | 20   | 2    |            |   |
| BRH10C4M    | 4                   | 10   | 1    |            |   |
|             | 7                   | 315  | 3    |            |   |
|             | 7                   | 554A | 1    |            |   |
| BRH10C5M    | 7                   | 606  | 3    |            |   |
|             | BRH10C6M            | 7    | 622  | 3          |   |

**71-11-56**

ILLUSTRATED PARTS LIST  
01.1 Page 1012E  
Nov 01/04

| PART NUMBER  | AIRLINE<br>PART NO. | FIG. | ITEM | TTL<br>REQ |
|--------------|---------------------|------|------|------------|
| BRM100C06LM  |                     | 6    | 115  | 2          |
| BRM100C3M    |                     | 4    | 300  | 2          |
|              |                     | 5    | 265  | 3          |
| BRM300C08M   |                     | 5    | 390  | 1          |
| BR1000A3     |                     | 2    | 340  | 2          |
|              |                     | 25   | 945  | 2          |
| BR2000A3     |                     | 12   | 50   | 4          |
| BR2000C3M    |                     | 1    | 316  | 1          |
|              |                     | 19   | 75   | 1          |
|              |                     | 22   | 65   | 1          |
|              |                     | 25   | 665  | 1          |
| BR2000C4D    |                     | 7    | 524  | 1          |
| BOE2040      |                     | 1    | 530  | 1          |
| BOE2040-0004 |                     | 1    | 530A | 1          |
| BOE2048-0504 |                     | 3    | 115B | 1          |
|              |                     | 21   | 130  | 1          |
| BOE2048-0505 |                     | 3    | 120B | 1          |
|              |                     | 21   | 135  | 1          |
| B150-221     |                     | 6    | 28F  | 1          |
| B150-222     |                     | 6    | 29G  | 1          |
| B30NW5K11    |                     | 9    | 515  | 2          |
|              |                     | 17   | 310  | 2          |
| B30NW5K19    |                     | 5    | 245  | 6          |
| B30NW6K12    |                     | 1    | 604  | 2          |
|              |                     | 18   | 471  | 2          |
| B30NW6K13    |                     | 1    | 602  | 2          |
|              |                     | 18   | 468  | 2          |
| B30NW6K14    |                     | 5    | 521A | 1          |
| B30NW6K15    |                     | 1    | 668Q | 1          |
|              |                     | 5    | 519A | 1          |
| B30NW6K18    |                     | 4    | 355A | 7          |
| B30NW6K19    |                     | 1    | 510  | 16         |
|              |                     | 1    | 511  | 32         |
|              |                     | 1    | 725  | 1          |
|              |                     | 4    | 195A | 7          |
|              |                     | 4    | 265  | 3          |
|              |                     | 5    | 95   | 5          |
|              |                     | 18   | 837  | 1          |

# 71-11-56

 ILLUSTRATED PARTS LIST  
 01.1 Page 1012F  
 Nov 01/04

| PART NUMBER   | AIRLINE<br>PART NO. | FIG. | ITEM | TTL<br>REQ |
|---------------|---------------------|------|------|------------|
| B30NW6K20     |                     | 3    | 5A   | 36         |
|               |                     | 5    | 90   | 1          |
|               |                     | 21   | 5    | 36         |
| B30NW6K21     |                     | 4    | 215  | 2          |
|               |                     | 5    | 85   | 1          |
|               |                     | 5    | 80   | 1          |
| B30NW6K22     |                     | 5    | 70   | 14         |
| B30NW6K23     |                     | 1    | 531  | 12         |
| B30NW6K3      |                     | 1    | 534  | 21         |
|               |                     | 1    | 535  | 24         |
|               |                     | 13   | 25   | 66         |
|               |                     | 1    | 532  | 5          |
|               |                     | 1    | 533  | 10         |
|               |                     | 1    | 894  | 6          |
| B30NW6K4      |                     | 20   | 45   | 6          |
|               |                     | 13   | 60   | 4          |
|               |                     | 18   | 544  | 1          |
| B30NW6K5      |                     | 5    | 75   | 7          |
| B30NW6K6      |                     | 4    | 175  | 1          |
| B30NW8K23     |                     | 7    | 518A | 1          |
| B307BBB0150CN |                     | 7    | 290  | 4          |
| CCR264CS3C    |                     | 18   | 357  | 1          |
| CR59064       |                     | 18   | 651  | 1          |
| CSR924-5-7    |                     | 1    | 642B | 1          |
| CSR924-5-7R   |                     | 18   | 654  | 1          |
| CSR924-6-6    |                     | 18   | 648  | 1          |
| CSR924-6-9    |                     | 11   | 40   | 1          |
| DBOC14AD06J   |                     | 4    | 130  | 1          |
| DBOS13BX06H   |                     | 4    | 150  | 2          |
| DBOS13BX06HP  |                     | 4    | 150A | 2          |
| DBOU24AA0604J |                     | 4    | 170  | 1          |

71-11-56

ILLUSTRATED PARTS LIST  
01.1 Page 1012G  
Nov 01/04

| PART NUMBER  | AIRLINE<br>PART NO. | FIG. | ITEM | TTL<br>REQ |
|--------------|---------------------|------|------|------------|
| DBOU24AB6H   |                     | 4    | 140  | 1          |
|              |                     | 11   | 55   | 1          |
|              |                     | 11   | 60   | 2          |
| ER832-0604J  |                     | 4    | 170  | 1          |
| FER22661-06J |                     | 11   | 40   | 1          |
| FS1651-3     |                     | 9    | 60   | 3          |
| F2001-4      |                     | 2    | 75   | 2          |
|              |                     | 25   | 445  | 2          |
|              |                     | 2    | 765  | 32         |
| F5000-3BAC   |                     | 25   | 840  | 31         |
|              |                     | 25   | 845  | 1          |
|              |                     | 2    | 150  | 2          |
| F5001-3BAC   |                     | 3    | 150  | 6          |
|              |                     | 3    | 155G | 2          |
|              |                     | 7    | 130  | 2          |
|              |                     | 21   | 220  | 2          |
|              |                     | 24   | 130  | 2          |
|              |                     | 25   | 400  | 2          |
|              |                     | 1    | 323  | 1          |
| F51604-3     |                     | 2    | 535  | 4          |
|              |                     | 9    | 40   | 14         |
|              |                     | 9    | 95   | 1          |
|              |                     | 9    | 107  | 1          |
|              |                     | 9    | 130  | 2          |
|              |                     | 9    | 147  | 2          |
|              |                     | 19   | 85   | 1          |
|              |                     | 22   | 75   | 1          |
|              |                     | 25   | 550  | 4          |
|              |                     | 25   | 850  | 1          |

# 71-11-56

 ILLUSTRATED PARTS LIST  
 01.1 Page 1012H  
 Nov 01/04

| PART NUMBER  | AIRLINE<br>PART NO. | FIG.         | ITEM | TTL<br>REQ |
|--------------|---------------------|--------------|------|------------|
| F51604-4     |                     | 1            | 29   | 2          |
|              |                     | 1            | 71   | 8          |
|              |                     | 1            | 73A  | 2          |
| F51604-4     |                     | 1            | 73B  | 10         |
|              |                     | 1            | 125  | 6          |
|              |                     | 1            | 125A | 2          |
|              |                     | 1            | 125B | 4          |
|              |                     | 1            | 155  | 2          |
|              |                     | 1            | 188  | 4          |
|              |                     | 1            | 217  | 4          |
|              |                     | 1            | 253  | 4          |
|              |                     | 18           | 45   | 2          |
|              |                     | 18           | 90   | 10         |
|              |                     | 18           | 90A  | 8          |
|              |                     | 18           | 90B  | 2          |
|              |                     | 18           | 132  | 4          |
|              |                     | 18           | 132A | 6          |
|              |                     | 18           | 132B | 2          |
|              |                     | 18           | 162  | 2          |
|              |                     | 18           | 195  | 4          |
|              |                     | F51747-3-2DL |      | 18         |
| 18           | 273                 |              |      | 4          |
| 2            | 785                 |              |      | 12         |
| 17           | 50                  |              |      | 1          |
| 17           | 95                  |              |      | 1          |
| 17           | 130                 |              |      | 1          |
| 17           | 165                 |              |      | 1          |
| 17           | 210                 |              |      | 1          |
| 17           | 245                 |              |      | 1          |
| 17           | 245                 |              |      | 1          |
| F51747-3-3CD |                     | 9            | 45   | 8          |
| F51747-3-3DL |                     | 1            | 319A | 12         |
|              |                     | 19           | 80   | 12         |
|              |                     | 22           | 70   | 12         |
| F51747-4-1CD |                     | 2            | 915  | 1          |
| F51751-3-2CD |                     | 17           | 287  | 1          |
| F51751-3-2DL |                     | 17           | 100  | 1          |
|              |                     | 17           | 135  | 1          |
|              |                     | 17           | 170  | 1          |
|              |                     | 17           | 215  | 1          |
|              |                     | 17           | 250  | 1          |
|              |                     | 17           | 250  | 1          |
| F51753-3DL   |                     | 3            | 155  | 4          |
|              |                     | 21           | 215  | 4          |
| F51753-4CD   |                     | 1            | 499  | 54         |
|              |                     | 18           | 33   | 54         |
| F51753-4DL   |                     | 1            | 499A | 54         |
|              |                     | 1            | 499A | 54         |

**71-11-56**

ILLUSTRATED PARTS LIST  
01.1 Page 1012I  
Nov 01/04

| PART NUMBER  | AIRLINE<br>PART NO. | FIG. | ITEM | TTL<br>REQ |
|--------------|---------------------|------|------|------------|
| HL10VAZ6-15  |                     | 1    | 598  | 4          |
|              |                     | 1    | 668K | 1          |
|              |                     | 1    | 668P | 2          |
|              |                     | 5    | 517  | 1          |
| HL10VAZ6-6   |                     | 2    | 810  | 4          |
|              |                     | 2    | 815  | 7          |
|              |                     | 7    | 405  | 6          |
|              |                     | 7    | 410  | 4          |
|              |                     | 12   | 35   | 8          |
| HL1012AZ5-2  |                     | 15   | 10   | 7          |
| HL1012AZ5-3  |                     | 3    | 175  | 7          |
|              |                     | 4    | 330  | 4          |
|              |                     | 7    | 696  | 4          |
|              |                     | 14   | 85   | 4          |
| HL1012AZ5-4  |                     | 3    | 151  | 6          |
|              |                     | 21   | 190  | 6          |
| HL1012AZ6-12 |                     | 2    | 100  | 2          |
|              |                     | 25   | 245  | 2          |
| HL1012AZ6-13 |                     | 1    | 612  | 2          |
|              |                     | 1    | 613  | 2          |
|              |                     | 1    | 666  | 2          |
|              |                     | 18   | 489  | 2          |
|              |                     | 18   | 504  | 2          |
|              |                     | 1    | 664  | 1          |
| HL1012AZ6-14 |                     | 1    | 610  | 7          |
| HL1012AZ6-19 |                     | 1    | 737  | 1          |
|              |                     | 1    | 737E | 2          |
|              |                     | 1    | 737J | 3          |
|              |                     | 1    | 737P | 1          |
|              |                     | 18   | 426  | 6          |
|              |                     | 18   | 786  | 1          |
|              |                     | 18   | 787  | 2          |
|              |                     | 18   | 804  | 3          |
|              |                     | 18   | 805  | 1          |
|              |                     | 1    | 736  | 2          |
| HL1012AZ6-21 |                     | 1    | 736J | 1          |
|              |                     | 18   | 525  | 30         |
|              |                     | 18   | 759  | 4          |
|              |                     | 18   | 783  | 2          |
|              |                     | 18   | 807  | 1          |
|              |                     | 18   | 808  | 1          |
|              |                     | 18   | 531  | 1          |
|              |                     | 18   | 528  | 1          |
| HL1012AZ6-23 |                     | 18   | 528  | 1          |
| HL1012AZ6-24 |                     | 18   | 528  | 1          |
| HL1012AZ6-3  |                     | 21   | 270  | 7          |
| HL1012AZ6-6  |                     | 25   | 690  | 12         |
| HL1012AZ8-19 |                     | 1    | 616  | 4          |
|              |                     | 18   | 429  | 7          |

# 71-11-56

 ILLUSTRATED PARTS LIST  
 01.1 Page 1012J  
 Nov 01/04



| PART NUMBER  | AIRLINE<br>PART NO. | FIG. | ITEM | TTL<br>REQ |
|--------------|---------------------|------|------|------------|
| HL1012AZ8-23 |                     | 5    | 305  | 2          |
| HL1012AZ8-25 |                     | 5    | 310  | 1          |
| HL1087-6     |                     | 18   | 762  | 4          |
|              |                     | 18   | 789  | 3          |
|              |                     | 18   | 790  | 2          |
|              |                     | 18   | 809  | 1          |
|              |                     | 18   | 810  | 4          |
|              |                     | 18   | 811  | 1          |
| HL1087DU6    |                     | 18   | 864A | 2          |
| HL11VAZ5-11  |                     | 9    | 515  | 2          |
|              |                     | 17   | 310  | 2          |
| HL11VAZ5-19  |                     | 5    | 245  | 6          |
| HL11VAZ5K11  |                     | 9    | 515  | 2          |
|              |                     | 17   | 310  | 2          |
| HL11VAZ6-12  |                     | 1    | 604  | 2          |
|              |                     | 18   | 471  | 2          |
| HL11VAZ6-13  |                     | 1    | 602  | 2          |
|              |                     | 18   | 468  | 2          |
| HL11VAZ6-14  |                     | 5    | 521A | 1          |
| HL11VAZ6-15  |                     | 1    | 668Q | 1          |
|              |                     | 5    | 519A | 1          |
| HL11VAZ6-18  |                     | 4    | 355A | 7          |
| HL11VAZ6-19  |                     | 1    | 510  | 16         |
|              |                     | 1    | 511  | 32         |
|              |                     | 1    | 725  | 1          |
|              |                     | 4    | 195A | 7          |
|              |                     | 4    | 265  | 3          |
|              |                     | 5    | 95   | 5          |
|              |                     | 18   | 837  | 1          |
| HL11VAZ6-20  |                     | 3    | 5A   | 36         |
|              |                     | 5    | 90   | 1          |
|              |                     | 21   | 5    | 36         |
| HL11VAZ6-21  |                     | 4    | 215  | 2          |
|              |                     | 5    | 85   | 1          |
| HL11VAZ6-22  |                     | 5    | 80   | 1          |
| HL11VAZ6-23  |                     | 5    | 70   | 14         |
| HL11VAZ6-3   |                     | 1    | 531  | 12         |
|              |                     | 1    | 534  | 21         |
|              |                     | 1    | 535  | 24         |
|              |                     | 13   | 25   | 66         |
| HL11VAZ6-4   |                     | 1    | 532  | 5          |
|              |                     | 1    | 533  | 10         |
|              |                     | 1    | 894  | 6          |
|              |                     | 20   | 45   | 6          |
| HL11VAZ6-5   |                     | 13   | 60   | 4          |

**71-11-56**

ILLUSTRATED PARTS LIST  
01.1 Page 1012K  
Nov 01/04

| PART NUMBER | AIRLINE<br>PART NO. | FIG. | ITEM | TTL<br>REQ |
|-------------|---------------------|------|------|------------|
| HL11VAZ6-6  |                     | 18   | 544  | 1          |
| HL11VAZ8-23 |                     | 5    | 75   | 7          |
| HL11V23     |                     | 5    | 75   | 7          |
| HL11V6-4    |                     | 1    | 532  | 5          |
|             |                     | 1    | 533  | 10         |
|             |                     | 1    | 894  | 6          |
|             |                     | 20   | 45   | 6          |
| HL11V6-5    |                     | 13   | 60   | 4          |
| HL110AZ6-15 |                     | 5    | 517A | 1          |
| HL110AZ6-16 |                     | 5    | 515A | 1          |
| HL1187-5    |                     | 3    | 151G | 6          |
|             |                     | 3    | 180  | 7          |
|             |                     | 15   | 15   | 7          |
|             |                     | 21   | 195  | 6          |
|             |                     | 21   | 275  | 7          |
| HL1187-6    |                     | 1    | 738  | 4          |
|             |                     | 1    | 738E | 3          |
|             |                     | 1    | 738J | 2          |
|             |                     | 1    | 738P | 4          |
|             |                     | 1    | 738U | 2          |
|             |                     | 2    | 105  | 2          |
| HL1187DUW6  |                     | 1    | 611  | 7          |
|             |                     | 1    | 614  | 2          |
|             |                     | 1    | 615  | 2          |
|             |                     | 18   | 432  | 6          |
|             |                     | 18   | 492  | 2          |
|             |                     | 18   | 507  | 2          |
|             |                     | 18   | 537A | 7          |
| HL1187DUW8  |                     | 1    | 618  | 4          |
|             |                     | 18   | 435  | 7          |
| HL1187DU5   |                     | 4    | 335  | 4          |
|             |                     | 7    | 690  | 8          |
|             |                     | 7    | 698  | 4          |
|             |                     | 14   | 70   | 8          |
|             |                     | 14   | 90   | 4          |
| HL1187DU6   |                     | 1    | 766  | 2          |
|             |                     | 2    | 105A | 2          |
|             |                     | 7    | 676  | 6          |
|             |                     | 14   | 40   | 6          |
|             |                     | 18   | 864  | 2          |
|             |                     | 25   | 270  | 2          |
|             |                     | 25   | 695  | 12         |

# 71-11-56

 ILLUSTRATED PARTS LIST  
 01.1 Page 1012L  
 Nov 01/04

| PART NUMBER | AIRLINE<br>PART NO. | FIG. | ITEM | TTL<br>REQ |
|-------------|---------------------|------|------|------------|
| HL1187DU8   |                     | 5    | 315  | 3          |
| HL12VAZ5-2  |                     | 15   | 10   | 7          |
| HL12VAZ5-3  |                     | 3    | 175  | 7          |
|             |                     | 4    | 330  | 4          |
|             |                     | 7    | 696  | 4          |
|             |                     | 14   | 85   | 4          |
| HL12VAZ5-4  |                     | 3    | 151  | 6          |
|             |                     | 21   | 190  | 6          |
| HL12VAZ6-12 |                     | 2    | 100  | 2          |
|             |                     | 25   | 245  | 2          |
| HL12VAZ6-13 |                     | 1    | 612  | 2          |
|             |                     | 1    | 613  | 2          |
|             |                     | 1    | 666  | 2          |
|             |                     | 18   | 489  | 2          |
|             |                     | 18   | 504  | 2          |
| HL12VAZ6-14 |                     | 1    | 664  | 1          |
| HL12VAZ6-19 |                     | 1    | 610  | 7          |
|             |                     | 1    | 737  | 1          |
|             |                     | 1    | 737E | 2          |
|             |                     | 1    | 737J | 3          |
|             |                     | 1    | 737P | 1          |
|             |                     | 18   | 426  | 6          |
|             |                     | 18   | 786  | 1          |
|             |                     | 18   | 787  | 2          |
|             |                     | 18   | 804  | 3          |
|             |                     | 18   | 805  | 1          |
| HL12VAZ6-21 |                     | 1    | 736  | 2          |
|             |                     | 1    | 736J | 1          |
|             |                     | 18   | 525  | 30         |
|             |                     | 18   | 759  | 4          |
|             |                     | 18   | 783  | 2          |
|             |                     | 18   | 807  | 1          |
|             |                     | 18   | 808  | 1          |

**71-11-56**

ILLUSTRATED PARTS LIST  
01.1 Page 1012M  
Nov 01/04

| PART NUMBER | AIRLINE<br>PART NO. | FIG. | ITEM | TTL<br>REQ |
|-------------|---------------------|------|------|------------|
| HL12VAZ6-23 |                     | 18   | 531  | 1          |
| HL12VAZ6-24 |                     | 18   | 528  | 1          |
| HL12VAZ6-3  |                     | 21   | 270  | 7          |
| HL12VAZ6-6  |                     | 25   | 690  | 12         |
| HL12VAZ8-19 |                     | 1    | 616  | 4          |
|             |                     | 18   | 429  | 7          |
| HL12VAZ8-23 |                     | 5    | 305  | 2          |
| HL12VAZ8-25 |                     | 5    | 310  | 1          |
| HL13VAZ5-4  |                     | 7    | 688  | 8          |
|             |                     | 14   | 65   | 8          |
| HL13VAZ6-18 |                     | 1    | 584  | 1          |
|             |                     | 1    | 586  | 2          |
|             |                     | 18   | 441  | 2          |
| HL13VAZ6-19 |                     | 1    | 582  | 1          |
|             |                     | 18   | 408  | 2          |
| HL13VAZ6-4  |                     | 13   | 20   | 72         |
| HL13VAZ6-5  |                     | 1    | 764  | 2          |
|             |                     | 18   | 861  | 2          |
| HL13VAZ6-7  |                     | 7    | 672  | 6          |
|             |                     | 14   | 30   | 6          |
| HL13VAZ8-20 |                     | 5    | 290  | 2          |
| HL13VAZ8-21 |                     | 5    | 295  | 2          |
| HL13V18     |                     | 1    | 584  | 1          |
|             |                     | 1    | 586  | 2          |
|             |                     | 18   | 441  | 2          |
| HL13V19     |                     | 1    | 582  | 1          |
|             |                     | 18   | 408  | 2          |
| HL13V20     |                     | 5    | 290  | 2          |
| HL13V21     |                     | 5    | 295  | 2          |
| HL13V4      |                     | 7    | 688  | 8          |
|             |                     | 13   | 20   | 72         |
|             |                     | 14   | 65   | 8          |

# 71-11-56

 ILLUSTRATED PARTS LIST  
 01.1 Page 1012N  
 Nov 01/04

| PART NUMBER | AIRLINE<br>PART NO. | FIG. | ITEM | TTL<br>REQ |
|-------------|---------------------|------|------|------------|
| HL13V5      |                     | 1    | 764  | 2          |
|             |                     | 18   | 861  | 2          |
| HL13V7      |                     | 7    | 672  | 6          |
|             |                     | 14   | 30   | 6          |
| HL441AZ8-6  |                     | 5    | 54F  | 1          |
|             |                     | 5    | 57F  | 3          |
|             |                     | 5    | 59C  | 1          |
| HL441AZ8-7  |                     | 5    | 54E  | 1          |
|             |                     | 5    | 57D  | 3          |
|             |                     | 5    | 59B  | 1          |
| HL441N8K7   |                     | 5    | 54E  | 1          |
|             |                     | 5    | 57D  | 3          |
|             |                     | 5    | 59B  | 1          |
| HL441PY8K7  |                     | 5    | 54E  | 1          |
|             |                     | 5    | 57D  | 3          |
|             |                     | 5    | 59B  | 1          |
| HL441UC8K7  |                     | 5    | 54E  | 1          |
|             |                     | 5    | 57D  | 3          |
|             |                     | 5    | 59B  | 1          |
| HL4411UC8K7 |                     | 5    | 54E  | 1          |
|             |                     | 5    | 57D  | 3          |
|             |                     | 5    | 59B  | 1          |
| HL523-21    |                     | 7    | 30   | 2          |
| HL523AZ5-18 |                     | 8    | 145  | 1          |
|             |                     | 23   | 145  | 1          |
| HL523AZ6-20 |                     | 7    | 20   | 14         |
|             |                     | 7    | 25   | 12         |
| HL523AZ6-21 |                     | 7    | 30   | 2          |
| HL523AZ6-24 |                     | 7    | 35   | 6          |
| HL70-5      |                     | 1    | 648  | 45         |

**71-11-56**

ILLUSTRATED PARTS LIST  
01.1 Page 10120  
Nov 01/04

| PART NUMBER | AIRLINE<br>PART NO. | FIG. | ITEM | TTL<br>REQ |
|-------------|---------------------|------|------|------------|
| HL70-5      |                     | 1    | 649  | 4          |
|             |                     | 1    | 716  | 54         |
|             |                     | 1    | 716H | 1          |
|             |                     | 3    | 170  | 40         |
|             |                     | 3    | 202  | 32         |
|             |                     | 4    | 181  | 4          |
|             |                     | 4    | 245  | 2          |
|             |                     | 5    | 42   | 19         |
|             |                     | 5    | 250  | 6          |
|             |                     | 7    | 185  | 24         |
|             |                     | 7    | 345  | 10         |
|             |                     | 7    | 348  | 3          |
|             |                     | 7    | 349  | 1          |
|             |                     | 7    | 350  | 22         |
|             |                     | 7    | 580  | 2          |
|             |                     | 7    | 706  | 4          |
|             |                     | 7    | 845  | 9          |
|             |                     | 8    | 150  | 1          |
|             |                     | 9    | 520  | 2          |
|             |                     | 14   | 110  | 4          |
|             |                     | 17   | 67   | 2          |
|             |                     | 17   | 315  | 2          |
|             |                     | 18   | 348  | 16         |
|             |                     | 18   | 369  | 24         |
|             |                     | 18   | 375  | 8          |
|             |                     | 18   | 390  | 4          |
|             |                     | 18   | 684  | 20         |
|             |                     | 18   | 687  | 2          |
|             |                     | 18   | 702  | 37         |
|             |                     | 21   | 255  | 42         |
|             | 21                  | 295  | 32   |            |
|             | 23                  | 150  | 1    |            |
|             | 25                  | 580  | 2    |            |
|             | 25                  | 625  | 2    |            |
|             | 25                  | 885  | 88   |            |
|             | 25                  | 900  | 5    |            |
| HL79-6      |                     | 1    | 545X | 6          |
|             |                     | 1    | 588  | 3          |
|             |                     | 1    | 606  | 16         |
|             |                     | 1    | 649H | 5          |
|             |                     | 1    | 734  | 84         |
|             |                     | 1    | 735  | 4          |

# 71-11-56

 ILLUSTRATED PARTS LIST  
 01.1 Page 1012P  
 Nov 01/04



**BOEING**  
COMPONENT  
MAINTENANCE MANUAL

| PART NUMBER | AIRLINE<br>PART NO. | FIG. | ITEM | TTL<br>REQ |
|-------------|---------------------|------|------|------------|
| HL79-6      |                     | 1    | 895  | 6          |
|             |                     | 2    | 40   | 4          |
|             |                     | 2    | 95   | 2          |
|             |                     | 2    | 537  | 6          |
|             |                     | 2    | 625  | 12         |
|             |                     | 2    | 825  | 13         |
|             |                     | 3    | 10   | 36         |
|             |                     | 4    | 20   | 1          |
|             |                     | 4    | 200A | 7          |
|             |                     | 4    | 220  | 2          |
|             |                     | 4    | 280  | 3          |
|             |                     | 4    | 360A | 2          |
|             |                     | 5    | 64   | 30         |
|             |                     | 5    | 66   | 2          |
|             |                     | 5    | 68   | 2          |
|             |                     | 5    | 96   | 13         |
|             |                     | 5    | 330  | 4          |
|             |                     | 5    | 435  | 8          |
|             |                     | 7    | 40   | 31         |
|             |                     | 7    | 187  | 4          |
|             |                     | 7    | 420  | 9          |
|             |                     | 7    | 425  | 10         |
|             |                     | 10   | 125  | 4          |
|             |                     | 12   | 40   | 8          |
|             |                     | 13   | 30   | 138        |
|             |                     | 13   | 70   | 9          |
|             |                     | 18   | 387  | 5          |
|             |                     | 18   | 414  | 3          |
|             |                     | 18   | 447  | 19         |
|             |                     | 18   | 498  | 2          |
|             |                     | 18   | 513  | 2          |
|             |                     | 18   | 552  | 8          |
|             |                     | 18   | 558  | 3          |
|             |                     | 18   | 720  | 43         |
|             |                     | 18   | 721  | 4          |
|             |                     | 18   | 840  | 1          |
|             |                     | 18   | 858  | 44         |
|             |                     | 20   | 50   | 6          |
|             |                     | 21   | 10   | 36         |
|             |                     | 25   | 75   | 2          |
|             | 25                  | 120  | 12   |            |
|             | 25                  | 180  | 12   |            |
|             | 25                  | 265  | 2    |            |
|             | 25                  | 430  | 4    |            |
|             | 25                  | 560  | 6    |            |

**71-11-56**

ILLUSTRATED PARTS LIST  
01.1 Page 1012Q  
Nov 01/04

| PART NUMBER | AIRLINE<br>PART NO. | FIG. | ITEM | TTL<br>REQ |
|-------------|---------------------|------|------|------------|
| HL79-6      |                     | 25   | 605  | 1          |
|             |                     | 25   | 650  | 2          |
|             |                     | 25   | 735  | 4          |
|             |                     | 26   | 75   | 4          |
| HL79-8      |                     | 2    | 605  | 12         |
|             |                     | 2    | 885  | 3          |
|             |                     | 2    | 895  | 2          |
|             |                     | 5    | 63   | 7          |
|             |                     | 5    | 97   | 7          |
|             |                     | 5    | 300  | 4          |
|             |                     | 7    | 415  | 2          |
| HL82-5APBW  |                     | 25   | 115  | 12         |
|             |                     | 1    | 650  | 14         |
| HL82-6APBW  |                     | 18   | 351  | 14         |
|             |                     | 1    | 608  | 28         |
|             |                     | 1    | 666G | 3          |
|             |                     | 1    | 668  | 3          |
|             |                     | 1    | 669P | 5          |
|             |                     | 1    | 669R | 4          |
|             |                     | 5    | 98   | 9          |
|             |                     | 5    | 524  | 2          |
|             |                     | 5    | 525  | 2          |
|             |                     | 18   | 474  | 32         |
| HL86DU5     |                     | 18   | 486  | 3          |
|             |                     | 18   | 534  | 25         |
|             |                     | 18   | 549  | 3          |
|             |                     | 4    | 335  | 4          |
|             |                     | 7    | 690  | 8          |
|             |                     | 7    | 698  | 4          |
|             |                     | 14   | 70   | 8          |
|             |                     | 14   | 90   | 4          |
| HL86PB5     |                     | 3    | 151G | 6          |
|             |                     | 3    | 180  | 7          |
|             |                     | 15   | 15   | 7          |
|             |                     | 21   | 195  | 6          |
|             |                     | 21   | 275  | 7          |
| HL87-5      |                     | 3    | 151G | 6          |
|             |                     | 3    | 180  | 7          |
|             |                     | 15   | 15   | 7          |
|             |                     | 21   | 195  | 6          |
|             |                     | 21   | 275  | 7          |
| HL87-6      |                     | 1    | 738  | 4          |
|             |                     | 1    | 738E | 3          |
|             |                     | 1    | 738J | 2          |
|             |                     | 1    | 738P | 4          |
|             |                     | 1    | 738U | 2          |
|             |                     | 2    | 105  | 2          |

# 71-11-56

 ILLUSTRATED PARTS LIST  
 01.1 Page 1012R  
 Nov 01/04



| PART NUMBER | AIRLINE<br>PART NO. | FIG. | ITEM | TTL<br>REQ |    |
|-------------|---------------------|------|------|------------|----|
| HL87DUW6    |                     | 1    | 611  | 7          |    |
|             |                     | 1    | 614  | 2          |    |
|             |                     | 1    | 615  | 2          |    |
|             |                     | 18   | 432  | 6          |    |
|             |                     | 18   | 492  | 2          |    |
|             |                     | 18   | 507  | 2          |    |
|             |                     | 18   | 537A | 7          |    |
|             |                     | 18   | 618  | 4          |    |
| HL87DUW8    |                     | 18   | 435  | 7          |    |
| HL87DU5     |                     | 4    | 335  | 4          |    |
|             |                     | 7    | 690  | 8          |    |
|             |                     | 7    | 698  | 4          |    |
|             |                     | 14   | 70   | 8          |    |
| HL87DU6     |                     | 14   | 90   | 4          |    |
|             |                     | 1    | 766  | 2          |    |
|             |                     | 2    | 105A | 2          |    |
|             |                     | 7    | 676  | 6          |    |
|             |                     | 14   | 40   | 6          |    |
|             |                     | 18   | 864  | 2          |    |
|             |                     | 25   | 270  | 2          |    |
| HL87DU8     |                     | 25   | 695  | 12         |    |
|             |                     | 5    | 315  | 3          |    |
|             | HL97DU5             |      | 3    | 212        | 8  |
|             | HL97DU6             |      | 1    | 514A       | 16 |
|             |                     |      | 1    | 515A       | 32 |
|             |                     | 1    | 536A | 21         |    |
|             |                     | 1    | 536H | 17         |    |
| HL97DU8     |                     | 1    | 537A | 34         |    |
|             |                     | 5    | 66A  | 2          |    |
|             |                     | 5    | 67   | 3          |    |
|             |                     | 5    | 69   | 1          |    |
|             |                     | 7    | 672A | 6          |    |
| HST10AG3-5  |                     | 7    | 672A | 6          |    |
| HST10AG5-10 |                     | 18   | 345A | 1          |    |
| HST10AG5-11 |                     | 18   | 342A | 2          |    |
| HST10AG5-12 |                     | 18   | 339A | 2          |    |
| HST10AG5-13 |                     | 18   | 336A | 2          |    |
| HST10AG5-14 |                     | 18   | 333A | 2          |    |
| HST10AG5-15 |                     | 18   | 330A | 2          |    |
| HST10AG5-17 |                     | 18   | 324A | 2          |    |
| HST10AG5-2  |                     | 18   | 327A | 1          |    |
|             |                     | 3    | 205B | 8          |    |
|             |                     | 7    | 332  | 1          |    |
|             |                     | 21   | 100  | 8          |    |

**71-11-56**

ILLUSTRATED PARTS LIST  
01.1 Page 1012S  
Nov 01/04

| PART NUMBER  | AIRLINE<br>PART NO. | FIG. | ITEM | TTL<br>REQ |
|--------------|---------------------|------|------|------------|
| HST10AG5-3   |                     | 7    | 333  | 1          |
| HST10AG5-31  |                     | 18   | 336A | 2          |
| HST10AG5-4   |                     | 7    | 321  | 2          |
|              |                     | 7    | 323A | 3          |
|              |                     | 7    | 337  | 2          |
| HST10AG5-5   |                     | 7    | 343  | 2          |
| HST10AG6-12  |                     | 18   | 483A | 1          |
| HST10AG6-13  |                     | 18   | 480A | 2          |
| HST10AG6-14  |                     | 18   | 461A | 1          |
|              |                     | 18   | 465A | 2          |
| HST10AG6-15  |                     | 18   | 462A | 7          |
| HST10AG6-16  |                     | 18   | 459A | 5          |
|              |                     | 18   | 460A | 1          |
| HST10AG6-17  |                     | 18   | 456A | 6          |
| HST10AG6-18  |                     | 18   | 453A | 6          |
| HST10AG6-19  |                     | 11   | 5A   | 2          |
|              |                     | 18   | 450A | 1          |
| HST10AG6-4   |                     | 18   | 570  | 5          |
| HST10AG6-5   |                     | 18   | 561  | 2          |
|              |                     | 18   | 573  | 1          |
| HST1094DU5   |                     | 7    | 346  | 2          |
|              |                     | 7    | 348A | 3          |
| HST11AG10-14 |                     | 1    | 552G | 4          |
|              |                     | 18   | 885  | 4          |
| HST11AG6-12  |                     | 18   | 471A | 2          |
| HST11AG6-13  |                     | 18   | 468A | 2          |
| HST11AG6-4   |                     | 18   | 570A | 5          |
| HST11AG6-5   |                     | 18   | 573B | 1          |
| HST79-5      |                     | 3    | 212A | 8          |
|              |                     | 18   | 351A | 14         |
|              |                     | 21   | 105  | 8          |

# 71-11-56

 ILLUSTRATED PARTS LIST  
 01.1 Page 1012T  
 Nov 01/04

| PART NUMBER | AIRLINE<br>PART NO. | FIG. | ITEM | TTL<br>REQ |
|-------------|---------------------|------|------|------------|
| HST79-6     |                     | 18   | 474A | 32         |
|             |                     | 18   | 486A | 3          |
| HST79-6     |                     | 18   | 567  | 2          |
|             |                     | 18   | 576  | 6          |
| HST79CY5    |                     | 3    | 212A | 8          |
|             |                     | 18   | 351A | 14         |
|             |                     | 21   | 105  | 8          |
| HST79CY6    |                     | 18   | 474A | 32         |
|             |                     | 18   | 486A | 3          |
|             |                     | 18   | 567  | 2          |
|             |                     | 18   | 576  | 6          |
| H01-3BAC    |                     | 1    | 580  | 2          |
|             |                     | 4    | 65   | 1          |
|             |                     | 7    | 648  | 2          |
|             |                     | 7    | 658  | 4          |
|             |                     | 11   | 20   | 2          |
| H01-4BAC    |                     | 4    | 10   | 1          |
|             |                     | 7    | 315  | 3          |
|             |                     | 7    | 554A | 1          |
| H01-5BAC    |                     | 7    | 606  | 3          |
| H01-6BAC    |                     | 7    | 622  | 3          |
| H10-3BAC    |                     | 2    | 380  | 4          |
|             |                     | 4    | 96   | 1          |
|             |                     | 5    | 30   | 1          |
|             |                     | 7    | 636  | 1          |
|             |                     | 25   | 780  | 4          |
| H2850-2     |                     | 7    | 555  | 1          |
| H2898-3     |                     | 7    | 280A | 1          |
| H31-06BAC   |                     | 6    | 105  | 2          |
| H31-3BAC    |                     | 1    | 526  | 8          |
|             |                     | 1    | 527  | 16         |
|             |                     | 1    | 541J | 8          |

**71-11-56**

ILLUSTRATED PARTS LIST  
01.1 Page 1012U  
Nov 01/04

| PART NUMBER     | AIRLINE<br>PART NO. | FIG. | ITEM | TTL<br>REQ |
|-----------------|---------------------|------|------|------------|
| H31-3BAC        |                     | 3    | 135  | 14         |
|                 |                     | 21   | 125  | 14         |
| H3223-1         |                     | 7    | 608C | 3          |
| H5100-125-250   |                     | 7    | 694  | 1          |
| H5100-125-330   |                     | 7    | 692  | 1          |
|                 |                     | 14   | 75   | 1          |
| H5100-2-125-250 |                     | 7    | 694  | 1          |
| H5100-2-125-330 |                     | 7    | 692  | 1          |
|                 |                     | 14   | 75   | 1          |
| H52732-3C       |                     | 11   | 20A  | 2          |
| H52732-3CM      |                     | 4    | 96B  | 1          |
|                 |                     | 4    | 109  | 2          |
| H96-4           |                     | 7    | 290  | 4          |
| JM44LC13WH12R   |                     | 4    | 70   | 1          |
| KFN600-6        |                     | 17   | 25   | 10         |
| KFN600-6S       |                     | 17   | 25   | 10         |
| K1000-3BAC      |                     | 12   | 50   | 4          |
| K1001-3BAC      |                     | 1    | 316  | 1          |
|                 |                     | 19   | 75   | 1          |
|                 |                     | 22   | 65   | 1          |
|                 |                     | 25   | 665  | 1          |
| K2000-3         |                     | 2    | 340  | 2          |
|                 |                     | 25   | 945  | 2          |
| K51601-4BAC     |                     | 7    | 524  | 1          |
| K51602-3BAC     |                     | 3    | 250  | 6          |
|                 |                     | 21   | 175  | 6          |
| K51602-4BAC     |                     | 1    | 35   | 2          |
|                 |                     | 1    | 83   | 8          |
|                 |                     | 1    | 83A  | 2          |
|                 |                     | 1    | 83B  | 10         |
|                 |                     | 1    | 131  | 6          |
|                 |                     | 1    | 131A | 2          |
|                 |                     | 1    | 131B | 4          |
|                 |                     | 1    | 161  | 2          |
|                 |                     | 1    | 193  | 4          |
|                 |                     | 1    | 223  | 4          |
|                 |                     | 1    | 259  | 4          |
|                 |                     | 7    | 524A | 1          |

# 71-11-56

 ILLUSTRATED PARTS LIST  
 01.1 Page 1012V  
 Nov 01/04

| PART NUMBER                        | AIRLINE<br>PART NO.      | FIG. | ITEM | TTL<br>REQ |    |
|------------------------------------|--------------------------|------|------|------------|----|
| K51602-4BAC                        |                          | 18   | 51   | 2          |    |
|                                    |                          | 18   | 96   | 10         |    |
|                                    |                          | 18   | 96A  | 8          |    |
|                                    |                          | 18   | 96B  | 2          |    |
|                                    |                          | 18   | 138  | 4          |    |
|                                    |                          | 18   | 138A | 6          |    |
|                                    |                          | 18   | 138B | 2          |    |
|                                    |                          | 18   | 168  | 2          |    |
|                                    |                          | 18   | 201  | 4          |    |
|                                    |                          | 18   | 240  | 4          |    |
|                                    |                          | 18   | 279  | 4          |    |
|                                    | LER832-0604J<br>L800-6-6 |      | 4    | 170        | 1  |
|                                    |                          |      | 5    | 51         | 9  |
|                                    |                          |      | 5    | 52B        | 4  |
|                                    |                          |      | 5    | 53B        | 13 |
|                                    |                          |      | 5    | 54B        | 1  |
|                                    |                          |      | 5    | 58         | 2  |
|                                    |                          |      | 5    | 61         | 1  |
|                                    |                          | 5    | 62   | 4          |    |
|                                    |                          | 18   | 495  | 2          |    |
|                                    |                          | 18   | 510  | 2          |    |
|                                    |                          | 18   | 855  | 3          |    |
| L800X6K15<br>L800X6K16<br>L8006-15 |                          |      | 5    | 517A       | 1  |
|                                    |                          | 5    | 515A | 1          |    |
|                                    |                          | 1    | 598  | 4          |    |
|                                    |                          | 1    | 668K | 1          |    |
|                                    |                          | 1    | 668P | 2          |    |
|                                    |                          | 5    | 517  | 1          |    |
|                                    |                          | 5    | 519  | 1          |    |
|                                    |                          | 18   | 462  | 7          |    |
| L8006K6                            |                          | 2    | 810  | 4          |    |
|                                    |                          | 2    | 815  | 7          |    |
|                                    |                          | 5    | 51   | 9          |    |
|                                    |                          | 5    | 52B  | 4          |    |
| L8006K6                            |                          | 5    | 53B  | 13         |    |
|                                    |                          | 5    | 54B  | 1          |    |
|                                    |                          | 5    | 58   | 2          |    |
|                                    |                          | 5    | 61   | 1          |    |
|                                    |                          | 5    | 62   | 4          |    |
|                                    |                          | 7    | 405  | 6          |    |
|                                    |                          | 7    | 410  | 4          |    |
|                                    |                          | 12   | 35   | 8          |    |
|                                    |                          | 18   | 495  | 2          |    |
|                                    |                          | 18   | 510  | 2          |    |
|                                    |                          | 18   | 855  | 3          |    |

71-11-56

ILLUSTRATED PARTS LIST  
01.1 Page 1012W  
Nov 01/04

| PART NUMBER | AIRLINE<br>PART NO. | FIG. | ITEM | TTL<br>REQ |
|-------------|---------------------|------|------|------------|
| L801-5K4    |                     | 7    | 688  | 8          |
|             |                     | 14   | 65   | 8          |
| L801-6K18   |                     | 1    | 584  | 1          |
|             |                     | 1    | 586  | 2          |
|             |                     | 18   | 441  | 2          |
| L801-6K19   |                     | 1    | 582  | 1          |
|             |                     | 18   | 408  | 2          |
| L801-6K4    |                     | 13   | 20   | 72         |
| L801-6K5    |                     | 1    | 764  | 2          |
|             |                     | 18   | 861  | 2          |
| L801-6K7    |                     | 7    | 672  | 6          |
|             |                     | 14   | 30   | 6          |
| L801-8K20   |                     | 5    | 290  | 2          |
| L801-8K21   |                     | 5    | 295  | 2          |
| L802-5K2    |                     | 15   | 10   | 7          |
| L802-5K3    |                     | 3    | 175  | 7          |
|             |                     | 4    | 330  | 4          |
|             |                     | 7    | 696  | 4          |
|             |                     | 14   | 85   | 4          |
| L802-5K4    |                     | 3    | 151  | 6          |
|             |                     | 21   | 190  | 6          |
| L802-6K12   |                     | 2    | 100  | 2          |
|             |                     | 25   | 245  | 2          |
| L802-6K13   |                     | 1    | 612  | 2          |
|             |                     | 1    | 613  | 2          |
|             |                     | 1    | 666  | 2          |
|             |                     | 18   | 489  | 2          |
|             |                     | 18   | 504  | 2          |
| L802-6K14   |                     | 1    | 664  | 1          |
| L802-6K19   |                     | 1    | 610  | 7          |
| L802-6K19   |                     | 1    | 737  | 1          |
|             |                     | 1    | 737E | 2          |
|             |                     | 1    | 737J | 3          |
|             |                     | 1    | 737P | 1          |
|             |                     | 18   | 426  | 6          |
|             |                     | 18   | 786  | 1          |
|             |                     | 18   | 787  | 2          |
|             |                     | 18   | 804  | 3          |
|             |                     | 18   | 805  | 1          |

# 71-11-56

 ILLUSTRATED PARTS LIST  
 01.1 Page 1012X  
 Nov 01/04

| PART NUMBER | AIRLINE<br>PART NO. | FIG. | ITEM | TTL<br>REQ |
|-------------|---------------------|------|------|------------|
| L802-6K21   |                     | 1    | 736  | 2          |
|             |                     | 1    | 736J | 1          |
|             |                     | 18   | 525  | 30         |
|             |                     | 18   | 759  | 4          |
|             |                     | 18   | 783  | 2          |
|             |                     | 18   | 807  | 1          |
|             |                     | 18   | 808  | 1          |
|             |                     | 18   | 531  | 1          |
| L802-6K23   |                     | 18   | 528  | 1          |
| L802-6K24   |                     | 18   | 528  | 1          |
| L802-6K3    |                     | 21   | 270  | 7          |
| L802-6K6    |                     | 25   | 690  | 12         |
| L802-8K19   |                     | 1    | 616  | 4          |
|             |                     | 18   | 429  | 7          |
| L802-8K23   |                     | 5    | 305  | 2          |
| L802-8K25   |                     | 5    | 310  | 1          |
| L803-5K11   |                     | 9    | 515  | 2          |
|             |                     | 17   | 310  | 2          |
| L803-5K19   |                     | 5    | 245  | 6          |
| L803-6-4    |                     | 1    | 532  | 5          |
|             |                     | 1    | 533  | 10         |
|             |                     | 1    | 894  | 6          |
|             | 20                  | 45   | 6    |            |
| L803-6-5    |                     | 13   | 60   | 4          |
| L803-6K12   |                     | 1    | 604  | 2          |
|             |                     | 18   | 471  | 2          |
| L803-6K13   |                     | 1    | 602  | 2          |
|             |                     | 18   | 468  | 2          |
| L803-6K14   |                     | 5    | 521A | 1          |
| L803-6K15   |                     | 1    | 668Q | 1          |
|             |                     | 5    | 519A | 1          |
| L803-6K18   |                     | 4    | 355A | 7          |
| L803-6K19   |                     | 1    | 510  | 16         |
|             |                     | 1    | 511  | 32         |
|             |                     | 1    | 725  | 1          |
|             |                     | 4    | 195A | 7          |
|             |                     | 4    | 265  | 3          |
|             |                     | 5    | 95   | 5          |
|             | 18                  | 837  | 1    |            |

**71-11-56**

ILLUSTRATED PARTS LIST  
01.1 Page 1012Y  
Nov 01/04

| PART NUMBER  | AIRLINE<br>PART NO. | FIG. | ITEM | TTL<br>REQ |
|--------------|---------------------|------|------|------------|
| L803-6K20    |                     | 3    | 5A   | 36         |
|              |                     | 5    | 90   | 1          |
|              |                     | 21   | 5    | 36         |
| L803-6K21    |                     | 4    | 215  | 2          |
|              |                     | 5    | 85   | 1          |
|              |                     | 5    | 80   | 1          |
| L803-6K22    |                     | 5    | 70   | 14         |
| L803-6K23    |                     | 1    | 531  | 12         |
| L803-6K3     |                     | 1    | 534  | 21         |
|              |                     | 1    | 535  | 24         |
|              |                     | 13   | 25   | 66         |
| L803-6K6     |                     | 18   | 544  | 1          |
| L803-8K23    |                     | 5    | 75   | 7          |
| L804-5K18    |                     | 8    | 145  | 1          |
|              |                     | 23   | 145  | 1          |
|              |                     | 7    | 20   | 14         |
| L804-6K20    |                     | 7    | 25   | 12         |
| L804-6K24    |                     | 7    | 35   | 6          |
|              |                     | 1    | 322  | 11         |
|              |                     | 5    | 395  | 1          |
| MF1001-08BAC |                     | 5    | 465  | 3          |
|              |                     | 19   | 90   | 11         |
|              |                     | 22   | 80   | 11         |
| MF1001-4BAC  |                     | 2    | 455  | 6          |
| MF51637-08   |                     | 9    | 55   | 14         |
| MF51637-4    |                     | 2    | 940  | 3          |
|              |                     | 25   | 975  | 3          |
|              |                     | 19   | 90   | 11         |
| MF53050-08DL |                     | 22   | 80   | 11         |
| MF53050-4CD  |                     | 25   | 975  | 3          |
|              |                     | 6    | 115  | 2          |
|              |                     | 4    | 300  | 2          |
| MK2001-06BAC |                     | 5    | 265  | 3          |
| MK2001-3BAC  |                     | 5    | 390  | 1          |
| MK3001-08BAC |                     | 5    |      |            |

# 71-11-56

 ILLUSTRATED PARTS LIST  
 01.1 Page 1012Z  
 Nov 01/04



| PART NUMBER                | AIRLINE<br>PART NO. | FIG.        | ITEM | TTL<br>REQ |     |   |
|----------------------------|---------------------|-------------|------|------------|-----|---|
| MS16562-3                  |                     | 7           | 664  | 4          |     |   |
|                            |                     | 14          | 15   | 4          |     |   |
| MS20253P4-270              |                     | 7           | 662  | 2          |     |   |
|                            |                     | 14          | 10   | 2          |     |   |
| MS20257XC5-300             |                     | 7           | 678  | 1          |     |   |
| MS20427M3                  |                     | 6           | 291J | 1          |     |   |
|                            |                     | 6           | 320  | 1          |     |   |
| MS20427M4D                 |                     | 18          | 657  | 2          |     |   |
|                            |                     | 18          | 658  | 1          |     |   |
|                            |                     | 18          | 659  | 1          |     |   |
| MS20427M5C                 |                     | 7           | 375  | 4          |     |   |
|                            |                     | 1           | 642C | 1          |     |   |
| MS20427M5C11<br>MS20615-3M |                     | 6           | 107  | 2          |     |   |
|                            |                     | 6           | 125  | 7          |     |   |
|                            |                     | 6           | 205  | 7          |     |   |
|                            |                     | 6           | 235  | 5          |     |   |
|                            |                     | 6           | 260  | 5          |     |   |
|                            |                     | 6           | 273  | 2          |     |   |
|                            |                     | 6           | 283  | 3          |     |   |
|                            |                     | 6           | 291  | 3          |     |   |
|                            |                     | 6           | 315  | 22         |     |   |
|                            |                     | MS20615-5MP |      | 5          | 35  | 6 |
|                            |                     |             |      | 7          | 355 | 3 |
|                            |                     |             |      | 7          | 356 | 3 |
|                            |                     |             |      | 7          | 360 | 2 |
| MS21042L4                  |                     | 1           | 473  | 1          |     |   |
|                            |                     | 18          | 633  | 1          |     |   |
| MS21042L5                  |                     | 1           | 471  | 7          |     |   |
|                            |                     | 1           | 474N | 3          |     |   |
|                            |                     | 1           | 554  | 4          |     |   |
|                            |                     | 16          | 80   | 3          |     |   |
|                            |                     | 18          | 627  | 3          |     |   |
| MS21042L6                  |                     | 18          | 888  | 7          |     |   |
|                            |                     | 1           | 472  | 2          |     |   |
|                            |                     | 18          | 630  | 2          |     |   |
| MS21140U0604P              |                     | 25          | 920  | 5          |     |   |
| MS21140U0606P              |                     | 25          | 915  | 5          |     |   |
| MS21141-0504P              |                     | 7           | 588  | 2          |     |   |

**71-11-56**

| PART NUMBER   | AIRLINE<br>PART NO. | FIG. | ITEM | TTL<br>REQ |
|---------------|---------------------|------|------|------------|
| MS21141-0603P |                     | 4    | 325  | 3          |
|               |                     | 18   | 579  | 5          |
| MS21141-0604P |                     | 18   | 582  | 2          |
| MS21141-0605P |                     | 18   | 564  | 2          |
| MS21141-0606P |                     | 2    | 800  | 2          |
|               |                     | 2    | 865  | 8          |
| MS21141-0607P |                     | 2    | 860  | 2          |
| MS21141-0608P |                     | 7    | 645  | 2          |
| MS21141-0612  |                     | 7    | 190A | 1          |
| MS21141U0503P |                     | 25   | 880  | 88         |
| MS21141U0604P |                     | 7    | 465  | 6          |
| MS21141U0605P |                     | 7    | 653  | 2          |
| MS21141U0606P |                     | 2    | 865A | 8          |
|               |                     | 7    | 440  | 4          |
| MS21141U0607P |                     | 2    | 860A | 2          |
|               |                     | 7    | 460  | 1          |
|               |                     | 7    | 655  | 2          |
|               |                     | 7    | 190B | 1          |
| MS21141U0612  |                     | 7    | 105  | 14         |
| MS21141U0620P |                     | 7    | 110  | 12         |
| MS21141U0806P |                     | 7    | 435  | 5          |
| MS21141U0807P |                     | 7    | 447  | 1          |
|               |                     | 7    | 455  | 10         |
| MS21141U0808P |                     | 7    | 430  | 1          |
| MS21141U0809P |                     | 7    | 442  | 6          |
|               |                     | 7    | 445  | 1          |
| MS21209C0815P |                     | 5    | 486  | 3          |
|               |                     | 5    | 545A | 2          |
| MS21209C0820P |                     | 1    | 780  | 2          |
|               |                     | 1    | 790  | 2          |
|               |                     | 5    | 545  | 2          |
|               |                     | 18   | 768  | 2          |
| MS21209C0825P |                     | 5    | 397  | 2          |
| MS21209F4-10P |                     | 2    | 630  | 6          |
|               |                     | 25   | 135  | 6          |
| MS21902J6     |                     | 4    | 120  | 1          |
| MS21921-6J    |                     | 4    | 135  | 1          |
|               |                     | 4    | 155  | 2          |
| MS35338-43    |                     | 2    | 826T | 1          |
|               |                     | 25   | 45   | 1          |
| MS35338-45    |                     | 2    | 826M | 1          |
|               |                     | 25   | 40   | 1          |
| MS35650-305S  |                     | 2    | 827T | 1          |
|               |                     | 25   | 65   | 1          |

# 71-11-56

 ILLUSTRATED PARTS LIST  
 01.1 Page 1014  
 Nov 01/04

| PART NUMBER   | AIRLINE<br>PART NO. | FIG. | ITEM | TTL<br>REQ |
|---------------|---------------------|------|------|------------|
| MS35650-331J  |                     | 2    | 827M | 1          |
| MS35650-3315T |                     | 25   | 60   | 1          |
| MS35842-11    |                     | 4    | 75   | 2          |
| MS90353-0603  |                     | 13   | 12B  | 4          |
| NAS1149C0332R |                     | 3    | 130A | 14         |
|               |                     | 4    | 87   | 1          |
|               |                     | 4    | 95B  | 1          |
|               |                     | 4    | 108  | 6          |
| NAS1149C0363R |                     | 11   | 15A  | 2          |
| NAS1149DN832J |                     | 9    | 231A | 6          |
| NAS1149D0332K |                     | 7    | 626A | 1          |
| NAS1149D0363J |                     | 7    | 646A | 2          |
|               |                     | 7    | 656A | 4          |
| NAS1149D0416J |                     | 18   | 624  | 1          |
| NAS1149D0516J |                     | 7    | 546A | 1          |
|               |                     | 18   | 618  | 3          |
| NAS1149D0532P |                     | 7    | 548A | 1          |
|               |                     | 7    | 604A | 3          |
| NAS1149D0563J |                     | 18   | 618A | 3          |
| NAS1149D0616J |                     | 18   | 621  | 2          |
| NAS1149D0616K |                     | 7    | 598A | 3          |
| NAS1149D0632P |                     | 7    | 600A | 3          |
| NAS1149D0663J |                     | 18   | 621A | 2          |
| NAS1149D0663P |                     | 7    | 602A | 3          |
| NAS1149D0716K |                     | 7    | 614A | 3          |
| NAS1149E0732P |                     | 7    | 616A | 3          |
| NAS1149F0432P |                     | 7    | 305A | 3          |
|               |                     | 7    | 552A | 1          |
| NAS1149F0463P |                     | 7    | 310A | 3          |
| NAS1149F0563P |                     | 7    | 550A | 1          |
| NAS1149F0632P |                     | 7    | 620A | 3          |
| NAS1149F0763P |                     | 7    | 618A | 3          |
| NAS1398CW4    |                     | 7    | 743  | 8          |
| NAS1398CW5-2  |                     | 1    | 700  | 1          |
|               |                     | 7    | 165  | 9          |
|               |                     | 7    | 166  | 1          |
|               |                     | 7    | 392  | 4          |
|               |                     | 18   | 675  | 1          |
| NAS1398CW5-3  |                     | 1    | 654  | 1          |
|               |                     | 1    | 698  | 1          |
|               |                     | 7    | 390  | 7          |
|               |                     | 18   | 315  | 1          |
|               |                     | 18   | 693  | 1          |

71-11-56

ILLUSTRATED PARTS LIST  
01.1 Page 1014A  
Nov 01/04

| PART NUMBER   | AIRLINE<br>PART NO. | FIG. | ITEM | TTL<br>REQ |
|---------------|---------------------|------|------|------------|
| NAS1398CW5-4  |                     | 1    | 308  | 3          |
| NAS1398CW5-4  |                     | 7    | 210  | 1          |
|               |                     | 7    | 385  | 2          |
| NAS1398CW5-5  |                     | 1    | 308B | 3          |
|               |                     | 7    | 532  | 11         |
| NAS1398CW5-6  |                     | 7    | 205  | 1          |
|               |                     | 7    | 534  | 3          |
| NAS1398CW6-11 |                     | 7    | 195  | 1          |
| NAS1398CW6-3  |                     | 1    | 652  | 1          |
|               |                     | 18   | 399  | 1          |
| NAS1398CW6-5  |                     | 2    | 330  | 2          |
| NAS1398CW6-8  |                     | 7    | 200  | 1          |
| NAS1398CW6A5  |                     | 2    | 330A | 2          |
|               |                     | 25   | 935  | 2          |
| NAS1399CW3-6  |                     | 2    | 393  | 174        |
| NAS1399CW5    |                     | 9    | 262  | 3          |
| NAS1399CW5-5  |                     | 9    | 262B | 3          |
|               |                     | 19   | 105A | 3          |
|               |                     | 22   | 95A  | 3          |
| NAS1399CW6    |                     | 2    | 875  | 1          |
|               |                     | 2    | 968A | 159        |
|               |                     | 2    | 972C | 2          |
| NAS1716C48M   |                     | 4    | 50   | 1          |
| NAS1739E5-3   |                     | 7    | 167  | 5          |
| NAS1801-3     |                     | 4    | 86A  | 1          |
|               |                     | 4    | 94B  | 1          |
|               |                     | 4    | 107  | 6          |
| NAS1801-3-14  |                     | 2    | 826H | 1          |
|               |                     | 25   | 35   | 1          |
| NAS1801-5-14  |                     | 2    | 826  | 1          |
|               |                     | 25   | 30   | 1          |
| NAS1804-3     |                     | 2    | 840  | 4          |
|               |                     | 7    | 676A | 6          |
|               |                     | 14   | 40A  | 6          |

# 71-11-56

 ILLUSTRATED PARTS LIST  
 01.1 Page 1014B  
 Nov 01/04

| PART NUMBER     | AIRLINE<br>PART NO. | FIG. | ITEM | TTL<br>REQ |
|-----------------|---------------------|------|------|------------|
| NAS1805-3L      |                     | 5    | 117  | 17         |
|                 |                     | 5    | 118  | 2          |
|                 |                     | 5    | 121  | 2          |
| NAS1805-4L      |                     | 5    | 118A | 2          |
|                 |                     | 5    | 119  | 9          |
|                 |                     | 5    | 122  | 1          |
| NAS43DD3-56     |                     | 4    | 97   | 1          |
| NAS463YDD10H    |                     | 9    | 135  | 2          |
|                 |                     | 9    | 148  | 2          |
|                 |                     | 7    | 558  | 2          |
| NAS509-4C       |                     | 1    | 522  | 8          |
| NAS514P1032-12P |                     | 1    | 523P | 8          |
| NAS514P1032-14P |                     | 1    | 522A | 8          |
| NAS514P1032-8P  |                     | 1    | 523  | 16         |
|                 |                     | 1    | 523H | 8          |
|                 |                     | 1    | 574  | 1          |
| NAS623-3-20     |                     | 1    | 576  | 1          |
|                 |                     | 1    | 572  | 1          |
| NAS623-3-21     |                     | 1    | 572  | 1          |
| NAS6703-14      |                     | 4    | 94   | 1          |
| NAS6703-4       |                     | 3    | 105A | 6          |
|                 |                     | 21   | 150  | 6          |
|                 |                     | 4    | 30   | 2          |
| NM102701300     |                     | 25   | 945  | 2          |
| NS103184-02     |                     | 25   | 445  | 2          |
| NS103185SE048   |                     | 2    | 785  | 12         |
| NS103191SE02-2  |                     | 17   | 50   | 1          |
|                 |                     | 17   | 95   | 1          |
|                 |                     | 17   | 130  | 1          |
|                 |                     | 17   | 165  | 1          |
|                 |                     | 17   | 210  | 1          |
|                 |                     | 17   | 245  | 1          |

**71-11-56**

ILLUSTRATED PARTS LIST  
01.1 Page 1014C  
Nov 01/04

| PART NUMBER    | AIRLINE<br>PART NO. | FIG. | ITEM | TTL<br>REQ |
|----------------|---------------------|------|------|------------|
| NS103191SE02-3 |                     | 1    | 319A | 12         |
|                |                     | 19   | 80   | 12         |
|                |                     | 22   | 70   | 12         |
| NS103193SE02   |                     | 3    | 155  | 4          |
|                |                     | 21   | 215  | 4          |
| NS103193SE048  |                     | 1    | 499A | 54         |
| NS103194SE02-2 |                     | 17   | 100  | 1          |
|                |                     | 17   | 135  | 1          |
|                |                     | 17   | 170  | 1          |
|                |                     | 17   | 215  | 1          |
|                |                     | 17   | 250  | 1          |
|                |                     | 17   | 250  | 1          |
| NS103198SE02   |                     | 4    | 300  | 2          |
|                |                     | 5    | 265  | 3          |
| NS103198SE62   |                     | 6    | 115  | 2          |
| NS103199SE82   |                     | 5    | 390  | 1          |
| NS103202-02    |                     | 12   | 50   | 4          |
| NS103202SE02   |                     | 1    | 316  | 1          |
|                |                     | 19   | 75   | 1          |
|                |                     | 22   | 65   | 1          |
|                |                     | 25   | 665  | 1          |
|                |                     | 25   | 665  | 1          |
| NS103203-02    |                     | 2    | 765  | 32         |
|                |                     | 25   | 840  | 31         |
|                |                     | 25   | 845  | 1          |
| NS103203SE02   |                     | 2    | 150  | 2          |
|                |                     | 3    | 150  | 6          |
|                |                     | 3    | 155G | 2          |
|                |                     | 7    | 130  | 2          |
|                |                     | 21   | 220  | 2          |
|                |                     | 24   | 130  | 2          |
|                |                     | 25   | 400  | 2          |
| NS103218SE048  |                     | 2    | 455  | 6          |
| NS103218SE82   |                     | 1    | 322  | 11         |
|                |                     | 5    | 395  | 1          |
|                |                     | 5    | 465  | 3          |
|                |                     | 19   | 90   | 11         |
|                |                     | 22   | 80   | 11         |
| NS202101-02    |                     | 2    | 380  | 4          |
|                |                     | 4    | 96   | 1          |
|                |                     | 5    | 30   | 1          |
|                |                     | 7    | 636  | 1          |
|                |                     | 25   | 780  | 4          |

# 71-11-56

 ILLUSTRATED PARTS LIST  
 01.1 Page 1014D  
 Nov 01/04

| PART NUMBER  | AIRLINE<br>PART NO. | FIG. | ITEM | TTL<br>REQ |
|--------------|---------------------|------|------|------------|
| NS202101SE02 |                     | 1    | 580  | 2          |
|              |                     | 4    | 65   | 1          |
|              |                     | 7    | 648  | 2          |
|              |                     | 7    | 658  | 4          |
| NS202101S02  |                     | 11   | 20   | 2          |
|              |                     | 1    | 526  | 8          |
|              |                     | 1    | 527  | 16         |
| NS202101S62  |                     | 1    | 541J | 8          |
|              |                     | 3    | 135  | 14         |
|              |                     | 21   | 125  | 14         |
|              |                     | 6    | 105  | 2          |
|              | NS202439-048        | 7    | 524  | 1          |
|              | NS202476-02         | 3    | 250  | 6          |
|              |                     | 21   | 175  | 6          |
|              | NS202476-048        | 1    | 35   | 2          |
|              | NS202476-048        | 1    | 83   | 8          |
|              |                     | 1    | 83A  | 2          |
|              | 1                   | 83B  | 10   |            |
|              | 1                   | 131  | 6    |            |
|              | 1                   | 131A | 2    |            |
|              | 1                   | 131B | 4    |            |
|              | 1                   | 161  | 2    |            |
|              | 1                   | 193  | 4    |            |
|              | 1                   | 223  | 4    |            |
|              | 1                   | 259  | 4    |            |
|              | 7                   | 524A | 1    |            |
|              | 18                  | 51   | 2    |            |
|              | 18                  | 96   | 10   |            |
|              | 18                  | 96A  | 8    |            |
|              | 18                  | 96B  | 2    |            |
|              | 18                  | 138  | 4    |            |
|              | 18                  | 138A | 6    |            |
|              | 18                  | 138B | 2    |            |
|              | 18                  | 168  | 2    |            |
|              | 18                  | 201  | 4    |            |
|              | 18                  | 240  | 4    |            |
|              | 18                  | 279  | 4    |            |
| NS202478-02  |                     | 9    | 107  | 1          |
|              |                     | 9    | 147  | 2          |
|              |                     | 19   | 85   | 1          |
|              |                     | 22   | 75   | 1          |
|              |                     | 25   | 550  | 4          |
|              |                     | 25   | 850  | 1          |

71-11-56

ILLUSTRATED PARTS LIST  
01.1 Page 1014E  
Nov 01/04

| PART NUMBER    | AIRLINE<br>PART NO. | FIG. | ITEM | TTL<br>REQ |
|----------------|---------------------|------|------|------------|
| NS202478-048   |                     | 18   | 45   | 2          |
|                |                     | 18   | 90   | 10         |
|                |                     | 18   | 90A  | 8          |
|                |                     | 18   | 90B  | 2          |
|                |                     | 18   | 132  | 4          |
|                |                     | 18   | 132A | 6          |
|                |                     | 18   | 132B | 2          |
|                |                     | 18   | 162  | 2          |
|                |                     | 18   | 195  | 4          |
|                |                     | 18   | 234  | 4          |
|                |                     | 18   | 273  | 4          |
|                |                     | 18   | 273  | 4          |
| NS202487-048   |                     | 2    | 940  | 3          |
|                |                     | 25   | 975  | 3          |
| NS202493-02-3  |                     | 9    | 45   | 8          |
| NS202493-048-1 |                     | 2    | 915  | 1          |
| NS202494-02-2  |                     | 17   | 287  | 1          |
| NS202495-048   |                     | 1    | 499  | 54         |
|                |                     | 18   | 33   | 54         |
| NS202496-02    |                     | 9    | 60   | 3          |
| NS20487-82     |                     | 9    | 55   | 14         |
| PDVC1137300    |                     | 4    | 30   | 2          |
| PLH53C         |                     | 11   | 20A  | 2          |
| PLH53CM        |                     | 4    | 96B  | 1          |
|                |                     | 4    | 109  | 2          |
| PLT1001-5-5    |                     | 2    | 383  | 2          |
|                |                     | 2    | 850  | 2          |
| PLT1001-6-4    |                     | 2    | 398  | 3          |
|                |                     | 2    | 976  | 3          |
| P164-5         |                     | 2    | 383  | 2          |
|                |                     | 2    | 850  | 2          |
| P200-4         |                     | 2    | 398  | 3          |
|                |                     | 2    | 976  | 3          |
| RMA9201-3      |                     | 12   | 50   | 4          |
| RMA9207-3      |                     | 2    | 340  | 2          |
|                |                     | 25   | 945  | 2          |
| RMF9201-3      |                     | 2    | 765  | 32         |
|                |                     | 25   | 840  | 31         |
|                |                     | 25   | 845  | 1          |
| RMLH22-4       |                     | 7    | 290  | 4          |
| RMLH9075-3W    |                     | 2    | 380  | 4          |
|                |                     | 4    | 96   | 1          |
|                |                     | 5    | 30   | 1          |
|                |                     | 7    | 636  | 1          |
|                |                     | 25   | 780  | 4          |

# 71-11-56

 ILLUSTRATED PARTS LIST  
 01.1 Page 1014F  
 Nov 01/04



| PART NUMBER   | AIRLINE<br>PART NO. | FIG. | ITEM | TTL<br>REQ |
|---------------|---------------------|------|------|------------|
| RV541A3C      |                     | 7    | 518A | 1          |
| R1131-906     |                     | 4    | 123  | 1          |
| R8918M0150AAN |                     | 4    | 175  | 1          |
| R89180150AAN  |                     | 4    | 175  | 1          |
| STBC10GG38-48 |                     | 12   | 10   | 2          |
| S315N304-3    |                     | 7    | 608C | 3          |
| S315T106-3    |                     | 4    | 190  | 1          |
| S315T107-180  |                     | 6    | 10   | 1          |
| S315T107-181  |                     | 6    | 15   | 1          |
| S315T107-182  |                     | 6    | 20   | 1          |
| S315T107-183  |                     | 6    | 25   | 1          |
| S315T107-209  |                     | 6    | 28A  | 1          |
| S315T107-210  |                     | 6    | 29A  | 1          |
| S315T107-221  |                     | 6    | 28F  | 1          |
| S315T107-222  |                     | 6    | 29G  | 1          |
| S315T107-67   |                     | 7    | 716  | 1          |
|               |                     | 14   | 135  | 1          |
| S315T110-2    |                     | 7    | 555  | 1          |
| S315T113-5    |                     | 7    | 280C | 1          |
| S332T308-1    |                     | 1    | 530  | 1          |
| S332T308-4    |                     | 1    | 530A | 1          |
| S332T308-7    |                     | 1    | 541Q | 1          |
| S369WHSS12    |                     | 4    | 70   | 1          |
| S500-20       |                     | 12   | 15   | 4          |
| TA027016-06   |                     | 4    | 93A  | 1          |
|               |                     | 4    | 103  | 1          |
|               |                     | 4    | 117  | 6          |
|               |                     | 11   | 30A  | 2          |
| TA027016-16   |                     | 11   | 35B  | 1          |
| TA12C32WH12   |                     | 4    | 70   | 1          |
| TL10183-101   |                     | 7    | 608C | 3          |
| T6C1032J      |                     | 1    | 526  | 8          |
|               |                     | 1    | 527  | 16         |
|               |                     | 1    | 541J | 8          |
|               |                     | 3    | 135  | 14         |
|               |                     | 21   | 125  | 14         |

**71-11-56**

ILLUSTRATED PARTS LIST  
01.1 Page 1014G  
Nov 01/04

| PART NUMBER | AIRLINE<br>PART NO. | FIG. | ITEM | TTL<br>REQ |
|-------------|---------------------|------|------|------------|
| T6C1032JM   |                     | 1    | 580  | 2          |
|             |                     | 4    | 65   | 1          |
|             |                     | 7    | 648  | 2          |
| T6C1032JM   |                     | 7    | 658  | 4          |
|             |                     | 11   | 20   | 2          |
| T6C428JM    |                     | 4    | 10   | 1          |
|             |                     | 7    | 315  | 3          |
|             |                     | 7    | 554A | 1          |
| T6C524JM    |                     | 7    | 606  | 3          |
| T6C632J     |                     | 6    | 105  | 2          |
| T6S1032J    |                     | 2    | 380  | 4          |
|             |                     | 4    | 96   | 1          |
|             |                     | 5    | 30   | 1          |
|             |                     | 7    | 636  | 1          |
| T8081C1032  |                     | 25   | 780  | 4          |
|             |                     | 4    | 300  | 2          |
|             |                     | 5    | 265  | 3          |
| T8081C632   |                     | 6    | 115  | 2          |
| T8082C832   |                     | 5    | 390  | 1          |
| T8088S1032  |                     | 12   | 50   | 4          |
| T8089C1032  |                     | 1    | 316  | 1          |
|             |                     | 19   | 75   | 1          |
|             |                     | 22   | 65   | 1          |
|             |                     | 25   | 665  | 1          |
| T8091S1032  |                     | 2    | 765  | 32         |
|             |                     | 25   | 840  | 31         |
|             |                     | 25   | 845  | 1          |
| T8092C1032  |                     | 2    | 150  | 2          |
|             |                     | 3    | 150  | 6          |
|             |                     | 3    | 155G | 2          |
|             |                     | 7    | 130  | 2          |
|             |                     | 21   | 220  | 2          |
|             |                     | 24   | 130  | 2          |
|             |                     | 25   | 400  | 2          |

# 71-11-56

 ILLUSTRATED PARTS LIST  
 01.1 Page 1014H  
 Nov 01/04

| PART NUMBER  | AIRLINE<br>PART NO. | FIG.        | ITEM | TTL<br>REQ |     |   |
|--------------|---------------------|-------------|------|------------|-----|---|
| T8092C1032CD |                     | 3           | 250  | 6          |     |   |
|              |                     | 21          | 175  | 6          |     |   |
| T8092C428CD  |                     | 1           | 35   | 2          |     |   |
|              |                     | 1           | 83   | 8          |     |   |
|              |                     | 1           | 83A  | 2          |     |   |
|              |                     | 1           | 83B  | 10         |     |   |
|              |                     | 1           | 131  | 6          |     |   |
|              |                     | 1           | 131A | 2          |     |   |
|              |                     | 1           | 131B | 4          |     |   |
|              |                     | 1           | 161  | 2          |     |   |
|              |                     | 1           | 193  | 4          |     |   |
|              |                     | T8092C428CD |      | 1          | 223 | 4 |
|              |                     |             |      | 1          | 259 | 4 |
| 7            | 524A                |             |      | 1          |     |   |
| 18           | 51                  |             |      | 2          |     |   |
| 18           | 96                  |             |      | 10         |     |   |
| 18           | 96A                 |             |      | 8          |     |   |
| 18           | 96B                 |             |      | 2          |     |   |
| 18           | 138                 |             |      | 4          |     |   |
| 18           | 138A                |             |      | 6          |     |   |
| 18           | 138B                |             |      | 2          |     |   |
| 18           | 168                 |             |      | 2          |     |   |
| 18           | 201                 |             |      | 4          |     |   |
| 18           | 240                 |             |      | 4          |     |   |
| 18           | 279                 |             |      | 4          |     |   |
| T8109S1032   |                     |             |      | 2          | 340 | 2 |
|              |                     |             |      | 25         | 945 | 2 |
| T8113C428C   |                     |             |      | 2          | 75  | 2 |
|              |                     | 25          | 445  | 2          |     |   |
| T8124S08CDS  |                     | 9           | 55   | 14         |     |   |
| T8124S4S     |                     | 2           | 940  | 3          |     |   |
| T8125C08C    |                     | 1           | 322  | 11         |     |   |
|              |                     | 5           | 395  | 1          |     |   |
|              |                     | 5           | 465  | 3          |     |   |
|              |                     | 19          | 90   | 11         |     |   |
|              |                     | 22          | 80   | 11         |     |   |

**71-11-56**

ILLUSTRATED PARTS LIST  
01.1 Page 1014I  
Nov 01/04

| PART NUMBER    | AIRLINE<br>PART NO. | FIG. | ITEM | TTL<br>REQ |
|----------------|---------------------|------|------|------------|
| T8125C4C       |                     | 2    | 455  | 6          |
| T8301C428CD    |                     | 2    | 940  | 3          |
|                |                     | 25   | 975  | 3          |
| T8301C832CD    |                     | 9    | 55   | 14         |
| UBPEU06-21CD   |                     | 7    | 105A | 14         |
|                |                     | 7    | 110A | 12         |
|                |                     | 7    | 115A | 2          |
| US2103-06J     |                     | 11   | 40   | 1          |
| US2113-0604J   |                     | 4    | 170  | 1          |
| VAL280094      |                     | 7    | 290  | 4          |
| VNS1924CA1-8   |                     | 25   | 585  | 1          |
|                |                     | 25   | 630  | 1          |
|                |                     | 25   | 655  | 2          |
| VNS1924CA3-1-8 |                     | 25   | 585  | 1          |
|                |                     | 25   | 630  | 1          |
|                |                     | 25   | 655  | 2          |
| VN101A1-02     |                     | 2    | 340  | 2          |
| VN101A1-02     |                     | 25   | 945  | 2          |
| VN102A1-02     |                     | 12   | 50   | 4          |
| VN102D1-02     |                     | 1    | 316  | 1          |
|                |                     | 19   | 75   | 1          |
|                |                     | 22   | 65   | 1          |
|                |                     | 25   | 665  | 1          |
| VN151D1-048    |                     | 2    | 75   | 2          |
|                |                     | 25   | 445  | 2          |
| VN152A1-02     |                     | 2    | 765  | 32         |
|                |                     | 25   | 840  | 31         |
|                |                     | 25   | 845  | 1          |
| VN152D1-02     |                     | 2    | 150  | 2          |
|                |                     | 3    | 150  | 6          |
|                |                     | 3    | 155G | 2          |
|                |                     | 7    | 130  | 2          |
|                |                     | 21   | 220  | 2          |
|                |                     | 24   | 130  | 2          |
|                |                     | 25   | 400  | 2          |
| VN201D1-02     |                     | 4    | 300  | 2          |
|                |                     | 5    | 265  | 3          |
| VN201D1-62L    |                     | 6    | 115  | 2          |
| VN203D1-82     |                     | 5    | 390  | 1          |
| VN252D048      |                     | 2    | 455  | 6          |
| VN252D82       |                     | 1    | 322  | 11         |
|                |                     | 5    | 395  | 1          |
|                |                     | 5    | 465  | 3          |
|                |                     | 19   | 90   | 11         |
|                |                     | 22   | 80   | 11         |

# 71-11-56

 ILLUSTRATED PARTS LIST  
 01.1 Page 1014J  
 Nov 01/04

| PART NUMBER   | AIRLINE<br>PART NO. | FIG. | ITEM | TTL<br>REQ |
|---------------|---------------------|------|------|------------|
| VN303A02      |                     | 2    | 380  | 4          |
|               |                     | 4    | 96   | 1          |
|               |                     | 5    | 30   | 1          |
|               |                     | 7    | 636  | 1          |
|               |                     | 25   | 780  | 4          |
| VN303B02      |                     | 1    | 526  | 8          |
|               |                     | 1    | 527  | 16         |
|               |                     | 1    | 541J | 8          |
|               |                     | 3    | 135  | 14         |
|               |                     | 21   | 125  | 14         |
| VN303B62      |                     | 6    | 105  | 2          |
| VN303D02      |                     | 1    | 580  | 2          |
|               |                     | 4    | 65   | 1          |
|               |                     | 7    | 648  | 2          |
|               |                     | 7    | 658  | 4          |
| VN303D02      |                     | 11   | 20   | 2          |
| VN303D048     |                     | 4    | 10   | 1          |
|               |                     | 7    | 315  | 3          |
|               |                     | 7    | 554A | 1          |
| WWD38-48H     |                     | 12   | 10   | 2          |
| ZHV15         |                     | 11   | 65B  | 2          |
| 025029-16     |                     | 11   | 35A  | 1          |
| 025029-20     |                     | 12   | 15   | 4          |
| 101LH9075-3W  |                     | 1    | 526  | 8          |
|               |                     | 1    | 527  | 16         |
|               |                     | 1    | 541J | 8          |
|               |                     | 3    | 135  | 14         |
|               |                     | 21   | 125  | 14         |
| 101LH9075-62W |                     | 6    | 105  | 2          |
| 102A9201-4    |                     | 7    | 524  | 1          |
| 102A9212-4    |                     | 2    | 915  | 1          |
| 102A9213-3-3  |                     | 9    | 45   | 8          |
| 102F9201-3    |                     | 3    | 250  | 6          |
|               |                     | 21   | 175  | 6          |

**71-11-56**

ILLUSTRATED PARTS LIST  
01.1 Page 1014K  
Nov 01/04

| PART NUMBER | AIRLINE<br>PART NO. | FIG. | ITEM | TTL<br>REQ |   |
|-------------|---------------------|------|------|------------|---|
| 102F9201-4  |                     | 1    | 35   | 2          |   |
|             |                     | 1    | 83   | 8          |   |
|             |                     | 1    | 83A  | 2          |   |
|             |                     | 1    | 83B  | 10         |   |
|             |                     | 1    | 131  | 6          |   |
|             |                     | 1    | 131A | 2          |   |
|             |                     | 1    | 131B | 4          |   |
|             |                     | 1    | 161  | 2          |   |
|             |                     | 1    | 193  | 4          |   |
|             |                     | 1    | 223  | 4          |   |
|             |                     | 1    | 259  | 4          |   |
|             |                     | 7    | 524A | 1          |   |
|             |                     | 18   | 51   | 2          |   |
|             |                     | 18   | 96   | 10         |   |
|             |                     | 18   | 96A  | 8          |   |
|             |                     | 18   | 96B  | 2          |   |
|             |                     | 18   | 138  | 4          |   |
|             |                     | 18   | 138A | 6          |   |
|             |                     | 18   | 138B | 2          |   |
|             |                     | 18   | 168  | 2          |   |
|             |                     | 18   | 201  | 4          |   |
|             |                     | 18   | 240  | 4          |   |
|             |                     | 18   | 279  | 4          |   |
|             | 102F9201M4          |      | 2    | 940        | 3 |
|             |                     |      | 25   | 975        | 3 |
| 102F9201M82 |                     | 9    | 55   | 14         |   |
| 102F9207P3  |                     | 1    | 323  | 1          |   |
|             |                     | 2    | 535  | 4          |   |
|             |                     | 9    | 40   | 14         |   |
|             |                     | 9    | 95   | 1          |   |
|             |                     | 9    | 107  | 1          |   |
|             |                     | 9    | 130  | 2          |   |
|             |                     | 9    | 147  | 2          |   |
|             |                     | 19   | 85   | 1          |   |
|             |                     | 22   | 75   | 1          |   |
|             |                     | 25   | 550  | 4          |   |
|             |                     | 25   | 850  | 1          |   |

# 71-11-56

 ILLUSTRATED PARTS LIST  
 01.1 Page 1014L  
 Nov 01/04

| PART NUMBER  | AIRLINE<br>PART NO. | FIG. | ITEM | TTL<br>REQ |    |
|--------------|---------------------|------|------|------------|----|
| 102F9207P4   |                     | 1    | 29   | 2          |    |
|              |                     | 1    | 71   | 8          |    |
|              |                     | 1    | 73A  | 2          |    |
|              |                     | 1    | 73B  | 10         |    |
|              |                     | 1    | 125  | 6          |    |
|              |                     | 1    | 125A | 2          |    |
|              |                     | 1    | 125B | 4          |    |
|              |                     | 1    | 155  | 2          |    |
|              |                     | 1    | 188  | 4          |    |
|              |                     | 1    | 217  | 4          |    |
|              |                     | 1    | 253  | 4          |    |
|              |                     | 18   | 45   | 2          |    |
|              |                     | 18   | 90   | 10         |    |
|              |                     | 18   | 90A  | 8          |    |
|              |                     | 18   | 90B  | 2          |    |
|              |                     | 18   | 132  | 4          |    |
|              |                     | 18   | 132A | 6          |    |
|              |                     | 18   | 132B | 2          |    |
|              |                     | 18   | 162  | 2          |    |
|              |                     | 18   | 195  | 4          |    |
|              |                     | 18   | 234  | 4          |    |
|              |                     | 18   | 273  | 4          |    |
|              | 102F9209M3          |      | 9    | 60         | 3  |
|              | 102F9216-2-3        |      | 17   | 287        | 1  |
|              | 102LH9075-6         |      | 7    | 622        | 3  |
|              | 104F9213-2-3        |      | 2    | 785        | 12 |
|              |                     |      | 17   | 50         | 1  |
|              |                     | 17   | 95   | 1          |    |
|              | 17                  | 130  | 1    |            |    |
|              | 17                  | 165  | 1    |            |    |
|              | 17                  | 210  | 1    |            |    |
| 104F9213-2-3 |                     | 17   | 245  | 1          |    |
| 104F9213-3-3 |                     | 1    | 319A | 12         |    |
|              |                     | 19   | 80   | 12         |    |
|              | 22                  | 70   | 12   |            |    |
| 104F9216-2-3 |                     | 17   | 100  | 1          |    |
|              |                     | 17   | 135  | 1          |    |
|              |                     | 17   | 170  | 1          |    |
|              |                     | 17   | 215  | 1          |    |
|              |                     | 17   | 250  | 1          |    |
| 109A9201-3   |                     | 1    | 316  | 1          |    |
|              |                     | 19   | 75   | 1          |    |
|              |                     | 22   | 65   | 1          |    |
| 109A9205M82  |                     | 25   | 665  | 1          |    |
|              |                     | 5    | 390  | 1          |    |

71-11-56

ILLUSTRATED PARTS LIST  
01.1 Page 1014M  
Nov 01/04

| PART NUMBER   | AIRLINE<br>PART NO. | FIG. | ITEM | TTL<br>REQ |
|---------------|---------------------|------|------|------------|
| 109A9207M3    |                     | 4    | 300  | 2          |
|               |                     | 5    | 265  | 3          |
| 109A9207M62   |                     | 6    | 115  | 2          |
| 109F9201-3    |                     | 2    | 150  | 2          |
|               |                     | 3    | 150  | 6          |
|               |                     | 3    | 155G | 2          |
|               |                     | 7    | 130  | 2          |
|               |                     | 21   | 220  | 2          |
|               |                     | 24   | 130  | 2          |
|               |                     | 25   | 400  | 2          |
| 109F9201M4    |                     | 2    | 455  | 6          |
| 109F9201M82   |                     | 1    | 322  | 11         |
|               |                     | 5    | 395  | 1          |
|               |                     | 5    | 465  | 3          |
|               |                     | 19   | 90   | 11         |
|               |                     | 22   | 80   | 11         |
| 109F9207-4    |                     | 2    | 75   | 2          |
|               |                     | 25   | 445  | 2          |
| 109LH9075-3W  |                     | 1    | 580  | 2          |
|               |                     | 4    | 65   | 1          |
|               |                     | 7    | 648  | 2          |
|               |                     | 7    | 658  | 4          |
|               |                     | 11   | 20   | 2          |
| 109LH9075-4W  |                     | 4    | 10   | 1          |
|               |                     | 7    | 315  | 3          |
|               |                     | 7    | 554A | 1          |
| 109LH9075-5W  |                     | 7    | 606  | 3          |
| 1090-06       |                     | 4    | 123A | 1          |
| 14J29300      |                     | 4    | 30   | 2          |
| 150701-06     |                     | 4    | 123  | 1          |
| 16            |                     | 12   | 10   | 2          |
| 2-01027-6H    |                     | 4    | 140  | 1          |
|               |                     | 11   | 55   | 1          |
|               |                     | 11   | 60   | 2          |
| 2-010890604J  |                     | 4    | 170  | 1          |
| 2-02813-06J   |                     | 11   | 40   | 1          |
| 2-02903-06H   |                     | 4    | 130  | 1          |
|               |                     | 4    | 150  | 2          |
| 2-02903-06HP  |                     | 4    | 150A | 2          |
| 2ASFPDPT06-18 |                     | 18   | 795A | 2          |
|               |                     | 18   | 816A | 1          |
| 2ASFPDPT06-19 |                     | 1    | 739G | 1          |
|               |                     | 18   | 795  | 2          |
|               |                     | 18   | 816  | 1          |

# 71-11-56

 ILLUSTRATED PARTS LIST  
 01.1 Page 1014N  
 Nov 01/04



| PART NUMBER   | AIRLINE<br>PART NO. | FIG. | ITEM | TTL<br>REQ |
|---------------|---------------------|------|------|------------|
| 2ASFPFDT06-21 |                     | 1    | 739D | 1          |
|               |                     | 18   | 819  | 1          |
| 2ASFPFDT6-19  |                     | 1    | 717  | 1          |
|               |                     | 1    | 739  | 2          |
| 2ASPPFDT06-17 |                     | 1    | 718C | 1          |
|               |                     | 18   | 827B | 1          |
| 2ASPPFDT06-19 |                     | 18   | 417A | 1          |
| 2ASPPPDT06-17 |                     | 18   | 688A | 1          |
|               |                     | 18   | 827A | 1          |
| 2ASPPPDT6-17  |                     | 18   | 688  | 1          |
| 2ASPPSDT06    |                     | 1    | 720A | 1          |
|               |                     | 1    | 739K | 2          |
|               |                     | 1    | 739P | 1          |
|               |                     | 5    | 137A | 6          |
|               |                     | 5    | 531  | 2          |
|               |                     | 18   | 689A | 1          |
|               |                     | 18   | 798  | 2          |
|               |                     | 18   | 822  | 2          |
|               |                     | 18   | 831  | 5          |
|               |                     | 18   | 833  | 4          |
| 2ASPPSDT08    |                     | 5    | 152B | 3          |
| 2ASPPSDT6     |                     | 1    | 721  | 1          |
|               |                     | 1    | 903  | 3          |
|               |                     | 1    | 912  | 4          |
|               |                     | 7    | 90   | 2          |
|               |                     | 18   | 689  | 1          |
| 3-906S383-70  |                     | 4    | 123  | 1          |
| 314T1339-1    |                     | 7    | 293A | 1          |
| 314T1339-2    |                     | 7    | 293  | 1          |
| 315N3409-9    |                     | 1    | 791  | 2          |
|               |                     | 18   | 771  | 2          |

**71-11-56**

ILLUSTRATED PARTS LIST  
01.1 Page 10140  
Nov 01/04

| PART NUMBER  | AIRLINE<br>PART NO. | FIG. | ITEM | TTL<br>REQ |
|--------------|---------------------|------|------|------------|
| 315T1313-4   |                     | 5    | 185  | 2          |
| 315T1313-5   |                     | 5    | 190  | 2          |
| 315T1448-5   |                     | 7    | 542A | 1          |
| 315T1448-8   |                     | 7    | 594  | 3          |
| 315T1448-9   |                     | 7    | 610  | 3          |
| 315T1450-2   |                     | 7    | 566  | 1          |
| 315T1451-2   |                     | 7    | 568  | 1          |
| 315T1452-2   |                     | 7    | 562  | 1          |
| 315T3002-137 |                     | 18   | 660  | 1          |
| 315T3002-138 |                     | 18   | 663  | 1          |
| 315T3002-141 |                     | 18   | 666  | 1          |
| 315T3005-10  |                     | 18   | 597  | 1          |
| 315T3005-13  |                     | 18   | 594  | 1          |
| 315T3007-15  |                     | 18   | 393  | 1          |
| 315T3007-16  |                     | 18   | 396  | 1          |
| 315T3105-1   |                     | 18   | 867  | 1          |
| 315T3105-4   |                     | 18   | 516  | 1          |
| 315T3105-8   |                     | 18   | 501  | 1          |
| 315T3114-30  |                     | 1    | 540  | 1          |
| 315T3114-32  |                     | 1    | 540A | 1          |
| 315T3120-22  |                     | 4    | 235  | 1          |
| 315T3120-25  |                     | 4    | 260  | 1          |
| 315T3120-35  |                     | 4    | 185B | 1          |
| 315T3120-37  |                     | 4    | 185C | 1          |
| 315T3122-3   |                     | 4    | 205  | 1          |
| 315T3123-24  |                     | 1    | 539  | 1          |
| 315T3123-37  |                     | 1    | 538  | 1          |
|              |                     | 1    | 539A | 1          |
| 315T3123-49  |                     | 1    | 538A | 1          |
| 315T3124-10  |                     | 1    | 508A | 1          |
| 315T3124-11  |                     | 1    | 541T | 1          |
| 315T3124-13  |                     | 1    | 506A | 1          |
| 315T3124-16  |                     | 1    | 508C | 1          |
| 315T3124-17  |                     | 1    | 506B | 1          |
| 315T3124-18  |                     | 1    | 508D | 1          |

# 71-11-56

 ILLUSTRATED PARTS LIST  
 01.1 Page 1014P  
 Nov 01/04

| PART NUMBER | AIRLINE<br>PART NO. | FIG. | ITEM | TTL<br>REQ |
|-------------|---------------------|------|------|------------|
| 315T3124-19 |                     | 1    | 506C | 1          |
| 315T3124-20 |                     | 1    | 508E | 1          |
| 315T3124-21 |                     | 1    | 506D | 1          |
| 315T3124-22 |                     | 1    | 508F | 1          |
| 315T3124-23 |                     | 1    | 506E | 1          |
| 315T3124-24 |                     | 1    | 508G | 1          |
| 315T3124-25 |                     | 1    | 506F | 1          |
| 315T3124-26 |                     | 1    | 508H | 1          |
| 315T3124-27 |                     | 1    | 506G | 1          |
| 315T3124-28 |                     | 1    | 508J | 1          |
| 315T3124-29 |                     | 1    | 506H | 1          |
| 315T3124-30 |                     | 1    | 508K | 1          |
| 315T3124-5  |                     | 1    | 506  | 1          |
| 315T3124-7  |                     | 1    | 528  | 2          |
| 315T3125-2  |                     | 3    | 195  | 1          |
| 315T3125-22 |                     | 3    | 140A | 1          |
| 315T3125-23 |                     | 3    | 143  | 1          |
| 315T3125-24 |                     | 3    | 158  | 1          |
|             |                     | 21   | 235  | 1          |
| 315T3125-25 |                     | 3    | 159  | 1          |
|             |                     | 21   | 240  | 1          |
| 315T3125-3  |                     | 3    | 200  | 1          |
| 315T3125-32 |                     | 3    | 140B | 1          |
| 315T3125-33 |                     | 3    | 200A | 1          |
| 315T3125-35 |                     | 3    | 195A | 1          |
| 315T3125-36 |                     | 3    | 200B | 1          |
| 315T3125-45 |                     | 3    | 140D | 1          |
| 315T3125-46 |                     | 3    | 143A | 1          |
|             |                     | 21   | 185  | 1          |
| 315T3125-47 |                     | 3    | 140E | 1          |
| 315T3125-51 |                     | 3    | 195B | 1          |
|             |                     | 21   | 310  | 1          |
| 315T3125-53 |                     | 3    | 140H | 1          |
|             |                     | 15   | 1A   | RF         |
|             |                     | 21   | 180  | 1          |
| 315T3125-55 |                     | 15   | 30   | 1          |
| 315T3125-56 |                     | 3    | 143C | 1          |
|             |                     | 15   | 5    | 1          |

**71-11-56**

ILLUSTRATED PARTS LIST  
01.1 Page 1014Q  
Nov 01/04

| PART NUMBER | AIRLINE<br>PART NO. | FIG. | ITEM | TTL<br>REQ |
|-------------|---------------------|------|------|------------|
| 315T3125-67 |                     | 3    | 140L | 1          |
| 315T3125-68 |                     | 21   | 180B | 1          |
| 315T3126-10 |                     | 3    | 25   | 2          |
|             |                     | 21   | 25   | 2          |
| 315T3126-11 |                     | 3    | 220  | 1          |
| 315T3126-12 |                     | 3    | 225  | 1          |
| 315T3126-15 |                     | 3    | 55   | 2          |
|             |                     | 21   | 55   | 2          |
| 315T3126-16 |                     | 3    | 60   | 2          |
|             |                     | 21   | 60   | 2          |
| 315T3126-17 |                     | 3    | 65   | 2          |
|             |                     | 21   | 65   | 2          |
| 315T3126-18 |                     | 3    | 70   | 2          |
|             |                     | 21   | 70   | 2          |
| 315T3126-19 |                     | 3    | 75   | 2          |
|             |                     | 21   | 75   | 2          |
| 315T3126-20 |                     | 3    | 30   | 2          |
|             |                     | 21   | 30   | 2          |
| 315T3126-21 |                     | 3    | 85   | 1          |
|             |                     | 21   | 85   | 1          |
| 315T3126-29 |                     | 1    | 443  | 1          |
|             |                     | 3    | 1A   | RF         |
| 315T3126-3  |                     | 3    | 35   | 2          |
|             |                     | 21   | 35   | 2          |
| 315T3126-30 |                     | 3    | 100A | 1          |
| 315T3126-35 |                     | 1    | 443A | 1          |
|             |                     | 3    | 1B   | RF         |
|             |                     | 16   | 30   | 1          |
| 315T3126-36 |                     | 3    | 100B | 1          |
| 315T3126-37 |                     | 1    | 443D | 1          |
|             |                     | 3    | 1E   | RF         |
|             |                     | 16   | 30A  | 1          |
| 315T3126-38 |                     | 3    | 100C | 1          |
| 315T3126-39 |                     | 3    | 15B  | 1          |
|             |                     | 21   | 15   | 1          |
| 315T3126-4  |                     | 3    | 40   | 2          |
|             |                     | 21   | 40   | 2          |
| 315T3126-43 |                     | 3    | 1G   | RF         |
| 315T3126-44 |                     | 3    | 100D | 1          |
| 315T3126-45 |                     | 21   | 1A   | RF         |
| 315T3126-46 |                     | 21   | 1B   | RF         |
| 315T3126-48 |                     | 21   | 1C   | RF         |
| 315T3126-5  |                     | 3    | 45   | 2          |
|             |                     | 21   | 45   | 2          |

# 71-11-56

 ILLUSTRATED PARTS LIST  
 01.1 Page 1014R  
 Nov 01/04

| PART NUMBER | AIRLINE<br>PART NO. | FIG. | ITEM | TTL<br>REQ |
|-------------|---------------------|------|------|------------|
| 315T3126-50 |                     | 21   | 1D   | RF         |
| 315T3126-6  |                     | 3    | 50   | 2          |
|             |                     | 21   | 50   | 2          |
| 315T3126-7  |                     | 3    | 15   | 1          |
| 315T3126-8  |                     | 3    | 20   | 1          |
|             |                     | 21   | 20   | 1          |
| 315T3126-9  |                     | 3    | 80   | 1          |
|             |                     | 21   | 80   | 1          |
| 315T3127-12 |                     | 4    | 210  | 1          |
| 315T3128-11 |                     | 4    | 125  | 1          |
| 315T3128-19 |                     | 4    | 250  | 1          |
| 315T3128-20 |                     | 4    | 225  | 1          |
| 315T3128-21 |                     | 1    | 548  | 1          |
|             |                     | 4    | 1    | RF         |
| 315T3128-22 |                     | 1    | 445  | 1          |
|             |                     | 4    | 1A   | RF         |
| 315T3128-24 |                     | 4    | 365  | 1          |
| 315T3128-25 |                     | 4    | 145A | 1          |
| 315T3128-26 |                     | 1    | 445B | 1          |
|             |                     | 4    | 1C   | RF         |
| 315T3128-27 |                     | 1    | 445A | 1          |
|             |                     | 4    | 1B   | RF         |
| 315T3128-28 |                     | 4    | 125B | 1          |
| 315T3128-29 |                     | 4    | 145D | 1          |
| 315T3128-3  |                     | 4    | 145  | 1          |
| 315T3128-32 |                     | 4    | 125C | 1          |
| 315T3128-33 |                     | 4    | 1G   | RF         |
| 315T3128-35 |                     | 4    | 1H   | RF         |
| 315T3128-37 |                     | 4    | 1J   | RF         |
| 315T3128-39 |                     | 4    | 1K   | RF         |
| 315T3128-41 |                     | 4    | 1L   | RF         |
| 315T3128-43 |                     | 4    | 1M   | RF         |

71-11-56

ILLUSTRATED PARTS LIST  
01.1 Page 1014S  
Nov 01/04

| PART NUMBER | AIRLINE<br>PART NO. | FIG. | ITEM | TTL<br>REQ |
|-------------|---------------------|------|------|------------|
| 315T3128-45 |                     | 4    | 1N   | RF         |
| 315T3130-10 |                     | 5    | 255  | 3          |
| 315T3130-2  |                     | 4    | 285  | 1          |
| 315T3130-21 |                     | 4    | 345  | 2          |
| 315T3130-22 |                     | 4    | 350A | 1          |
| 315T3130-23 |                     | 4    | 255B | 1          |
| 315T3130-4  |                     | 4    | 255  | 1          |
| 315T3130-7  |                     | 4    | 315  | 1          |
| 315T3130-9  |                     | 5    | 270  | 3          |
| 315T3135-1  |                     | 1    | 516  | 2          |
|             |                     | 1    | 517  | 4          |
| 315T3135-2  |                     | 1    | 518  | 1          |
|             |                     | 1    | 519  | 2          |
| 315T3135-3  |                     | 1    | 520  | 1          |
|             |                     | 1    | 521  | 2          |
| 315T3136-3  |                     | 3    | 215A | 1          |
|             |                     | 21   | 110  | 1          |
| 315T3137-1  |                     | 3    | 90   | 1          |
| 315T3137-2  |                     | 3    | 95   | 1          |
| 315T3137-3  |                     | 3    | 90B  | 1          |
| 315T3137-4  |                     | 3    | 95B  | 1          |
| 315T3137-5  |                     | 3    | 90C  | 1          |
|             |                     | 21   | 90   | 1          |
| 315T3137-6  |                     | 3    | 95C  | 1          |
|             |                     | 21   | 95   | 1          |
| 315T3154-10 |                     | 10   | 60   | 1          |
|             |                     | 26   | 60   | 1          |
| 315T3154-11 |                     | 10   | 130  | 1          |
| 315T3154-13 |                     | 10   | 110  | 1          |
| 315T3154-14 |                     | 10   | 115  | 1          |
| 315T3154-15 |                     | 10   | 75   | 2          |
|             |                     | 10   | 85   | 1          |
| 315T3154-16 |                     | 10   | 70   | 1          |
|             |                     | 10   | 80   | 2          |

# 71-11-56

 ILLUSTRATED PARTS LIST  
 01.1 Page 1014T  
 Nov 01/04

| PART NUMBER | AIRLINE<br>PART NO. | FIG. | ITEM | TTL<br>REQ |
|-------------|---------------------|------|------|------------|
| 315T3154-17 |                     | 10   | 95   | 1          |
| 315T3154-18 |                     | 10   | 100  | 1          |
| 315T3154-23 |                     | 10   | 10   | 1          |
| 315T3154-24 |                     | 2    | 540  | 1          |
|             |                     | 10   | 1    | RF         |
| 315T3154-36 |                     | 2    | 545  | 1          |
|             |                     | 10   | 5    | RF         |
| 315T3154-37 |                     | 10   | 130A | 1          |
|             |                     | 26   | 80   | 1          |
| 315T3154-39 |                     | 10   | 95A  | 1          |
| 315T3154-40 |                     | 10   | 100A | 1          |
| 315T3154-41 |                     | 10   | 110A | 1          |
| 315T3154-42 |                     | 10   | 115A | 1          |
| 315T3154-45 |                     | 2    | 540A | 1          |
|             |                     | 10   | 1A   | RF         |
| 315T3154-46 |                     | 2    | 545A | 1          |
|             |                     | 10   | 5A   | RF         |
| 315T3154-54 |                     | 10   | 10A  | 1          |
|             |                     | 26   | 10   | 1          |
| 315T3154-55 |                     | 10   | 40A  | 1          |
|             |                     | 26   | 40   | 1          |
| 315T3154-56 |                     | 10   | 35A  | 1          |
|             |                     | 26   | 35   | 1          |
| 315T3154-57 |                     | 10   | 65A  | 1          |
|             |                     | 26   | 65   | 1          |
| 315T3154-59 |                     | 25   | 10   | 1          |
|             |                     | 26   | 1A   | RF         |
| 315T3154-6  |                     | 10   | 40   | 1          |
| 315T3154-60 |                     | 25   | 15   | 1          |
|             |                     | 26   | 5    | RF         |
| 315T3154-7  |                     | 10   | 35   | 1          |
| 315T3154-8  |                     | 10   | 30   | 1          |
|             |                     | 26   | 30   | 1          |
| 315T3154-9  |                     | 10   | 65   | 1          |
| 315T3201-10 |                     | 2    | 750  | 1          |
| 315T3201-25 |                     | 2    | 730  | 1          |
| 315T3201-26 |                     | 2    | 735  | 1          |
| 315T3201-27 |                     | 2    | 755  | 1          |

**71-11-56**

ILLUSTRATED PARTS LIST  
01.1 Page 1014U  
Nov 01/04

| PART NUMBER  | AIRLINE<br>PART NO. | FIG. | ITEM | TTL<br>REQ |
|--------------|---------------------|------|------|------------|
| 315T3201-28  |                     | 2    | 680  | 1          |
| 315T3201-29  |                     | 2    | 685  | 1          |
| 315T3201-30  |                     | 2    | 720  | 1          |
| 315T3201-31  |                     | 2    | 725  | 1          |
| 315T3201-32  |                     | 2    | 745B | 1          |
|              |                     | 25   | 820  | 5          |
| 315T3201-33  |                     | 2    | 750B | 1          |
| 315T3201-34  |                     | 2    | 755A | 1          |
| 315T3201-35  |                     | 2    | 680A | 1          |
| 315T3201-36  |                     | 2    | 685A | 1          |
| 315T3201-37  |                     | 2    | 730A | 1          |
| 315T3201-38  |                     | 2    | 735A | 1          |
| 315T3201-39  |                     | 2    | 720A | 1          |
| 315T3201-40  |                     | 2    | 725A | 1          |
| 315T3201-41  |                     | 2    | 680B | 1          |
| 315T3201-42  |                     | 2    | 685B | 1          |
| 315T3201-43  |                     | 2    | 720B | 1          |
| 315T3201-44  |                     | 2    | 725B | 1          |
| 315T3201-45  |                     | 2    | 750C | 1          |
|              |                     | 25   | 825  | 1          |
| 315T3201-46  |                     | 2    | 755B | 1          |
|              |                     | 25   | 830  | 1          |
| 315T3201-51  |                     | 2    | 730B | 1          |
|              |                     | 25   | 800  | 1          |
| 315T3201-52  |                     | 2    | 735B | 1          |
|              |                     | 25   | 805  | 1          |
| 315T3201-53  |                     | 2    | 680D | 1          |
| 315T3201-54  |                     | 2    | 685D | 1          |
| 315T3201-55  |                     | 2    | 680E | 1          |
| 315T3201-56  |                     | 2    | 685E | 1          |
| 315T3201-57  |                     | 2    | 720C | 1          |
| 315T3201-58  |                     | 2    | 725C | 1          |
| 315T3201-59  |                     | 2    | 680F | 1          |
|              |                     | 25   | 785  | 1          |
| 315T3201-60  |                     | 2    | 685F | 1          |
|              |                     | 25   | 790  | 1          |
| 315T3201-61  |                     | 2    | 720D | 1          |
| 315T3201-61  |                     | 25   | 810  | 1          |
| 315T3201-62  |                     | 2    | 725D | 1          |
|              |                     | 25   | 815  | 1          |
| 315T3201-7   |                     | 2    | 745  | 5          |
| 315T3202-100 |                     | 2    | 350  | 1          |
|              |                     | 25   | 870  | 1          |

# 71-11-56

 ILLUSTRATED PARTS LIST  
 01.1 Page 1014V  
 Nov 01/04



| PART NUMBER  | AIRLINE<br>PART NO. | FIG. | ITEM | TTL<br>REQ |
|--------------|---------------------|------|------|------------|
| 315T3202-104 |                     | 2    | 347  | 1          |
|              |                     | 25   | 855  | 1          |
| 315T3202-105 |                     | 25   | 715  | 1          |
| 315T3202-138 |                     | 2    | 413  | 1          |
|              |                     | 2    | 988  | 1          |
| 315T3202-141 |                     | 2    | 403  | 1          |
| 315T3202-143 |                     | 2    | 418  | 1          |
| 315T3202-149 |                     | 1    | 502  | 1          |
|              |                     | 1    | 850A | 1          |
| 315T3202-150 |                     | 2    | 1    | RF         |
|              |                     | 16   | 20   | 1          |
|              |                     | 1    | 504  | 1          |
|              |                     | 1    | 854A | 1          |
| 315T3202-151 |                     | 2    | 5    | RF         |
|              |                     | 16   | 25   | 1          |
|              |                     | 25   | 700  | 1          |
| 315T3202-152 |                     | 25   | 745  | 1          |
| 315T3202-156 |                     | 2    | 538  | 2          |
|              |                     | 25   | 565  | 2          |
| 315T3202-157 |                     | 25   | 610  | 2          |
|              |                     | 25   | 685  | 1          |
| 315T3202-158 |                     | 25   | 725  | 1          |
| 315T3202-162 |                     | 2    | 408A | 1          |
| 315T3202-164 |                     | 2    | 423  | 1          |
| 315T3202-167 |                     | 25   | 905  | 1          |
| 315T3202-168 |                     | 25   | 910  | 1          |
| 315T3202-177 |                     | 2    | 829  | 1          |
| 315T3202-178 |                     | 2    | 829M | 1          |
| 315T3202-179 |                     | 1    | 850B | 1          |
|              |                     | 2    | 1B   | RF         |
|              |                     | 16   | 20A  | 1          |

71-11-56

ILLUSTRATED PARTS LIST  
01.1 Page 1014W  
Nov 01/04

| PART NUMBER  | AIRLINE<br>PART NO. | FIG. | ITEM | TTL<br>REQ |
|--------------|---------------------|------|------|------------|
| 315T3202-180 |                     | 1    | 854B | 1          |
| 315T3202-180 |                     | 2    | 5B   | RF         |
|              |                     | 16   | 25A  | 1          |
| 315T3202-193 |                     | 2    | 829A | 1          |
|              |                     | 25   | 80   | 1          |
| 315T3202-194 |                     | 2    | 829N | 1          |
|              |                     | 25   | 85   | 1          |
| 315T3202-202 |                     | 25   | 255  | 1          |
| 315T3202-221 |                     | 2    | 930  | 1          |
|              |                     | 25   | 965  | 1          |
| 315T3202-233 |                     | 2    | 1D   | RF         |
|              |                     | 16   | 20B  | 1          |
| 315T3202-234 |                     | 2    | 5D   | RF         |
|              |                     | 16   | 25B  | 1          |
| 315T3202-235 |                     | 2    | 1E   | RF         |
|              |                     | 16   | 20C  | 1          |
| 315T3202-236 |                     | 2    | 5E   | RF         |
|              |                     | 16   | 25C  | 1          |
| 315T3202-237 |                     | 2    | 980  | 1          |
| 315T3202-238 |                     | 2    | 984  | 1          |
| 315T3202-241 |                     | 2    | 992  | 1          |
| 315T3202-242 |                     | 2    | 996  | 1          |
| 315T3202-247 |                     | 2    | 980A | 1          |
| 315T3202-248 |                     | 2    | 984A | 1          |
| 315T3202-249 |                     | 2    | 992A | 1          |
| 315T3202-250 |                     | 2    | 996A | 1          |
| 315T3202-265 |                     | 25   | 1A   | RF         |
| 315T3202-266 |                     | 25   | 5    | RF         |
| 315T3202-267 |                     | 25   | 1B   | RF         |
| 315T3202-268 |                     | 25   | 5A   | RF         |
| 315T3202-269 |                     | 25   | 1C   | RF         |

# 71-11-56

 ILLUSTRATED PARTS LIST  
 01.1 Page 1014X  
 Nov 01/04

| PART NUMBER   | AIRLINE<br>PART NO. | FIG. | ITEM | TTL<br>REQ |
|---------------|---------------------|------|------|------------|
| 315T3202-270  |                     | 25   | 5B   | RF         |
| 315T3202-271  |                     | 25   | 1D   | RF         |
| 315T3202-272  |                     | 25   | 5C   | RF         |
| 315T3202-273  |                     | 25   | 1E   | RF         |
| 315T3202-274  |                     | 25   | 5D   | RF         |
| 315T3202-275  |                     | 25   | 1F   | RF         |
| 315T3202-276  |                     | 25   | 5E   | RF         |
| 315T3202-277  |                     | 25   | 1G   | RF         |
| 315T3202-278  |                     | 25   | 5F   | RF         |
| 315T3202-279  |                     | 25   | 1H   | RF         |
| 315T3202-280  |                     | 25   | 5G   | RF         |
| 315T3202-281  |                     | 25   | 1J   | RF         |
| 315T3202-282  |                     | 25   | 5H   | RF         |
| 315T3202-283  |                     | 25   | 1K   | RF         |
| 315T3202-284  |                     | 25   | 5J   | RF         |
| 315T3202-285  |                     | 25   | 1L   | RF         |
| 315T3202-286  |                     | 25   | 5K   | RF         |
| 315T3202-287  |                     | 25   | 1M   | RF         |
| 315T3202-288  |                     | 25   | 5L   | RF         |
| 315T3202-289  |                     | 25   | 1N   | RF         |
| 315T3202-290  |                     | 25   | 5M   | RF         |
| 315T3202-291  |                     | 25   | 1P   | RF         |
| 315T3202-292  |                     | 25   | 5N   | RF         |
| 315T3202-301  |                     | 25   | 1Q   | RF         |
| 315T3202-303  |                     | 25   | 1R   | RF         |
| 315T3202-43   |                     | 2    | 115  | 4          |
|               |                     | 25   | 250  | 4          |
| 315T3202-44   |                     | 2    | 120  | 4          |
|               |                     | 25   | 260  | 3          |
| 315T3202-5040 |                     | 2    | 500A | 1          |
| 315T3202-5042 |                     | 2    | 505A | 1          |
| 315T3202-5055 |                     | 2    | 500B | 1          |
| 315T3202-5056 |                     | 2    | 505B | 1          |
| 315T3202-5057 |                     | 2    | 500C | 1          |
| 315T3202-5058 |                     | 2    | 505C | 1          |
| 315T3202-5063 |                     | 2    | 500D | 1          |
| 315T3202-5064 |                     | 2    | 505D | 1          |
| 315T3202-5065 |                     | 2    | 500E | 1          |
| 315T3202-5066 |                     | 2    | 505E | 1          |
| 315T3202-5067 |                     | 2    | 500F | 1          |

**71-11-56**

ILLUSTRATED PARTS LIST  
01.1 Page 1014Y  
Nov 01/04

| PART NUMBER   | AIRLINE<br>PART NO. | FIG. | ITEM | TTL<br>REQ |
|---------------|---------------------|------|------|------------|
| 315T3202-5068 |                     | 2    | 505F | 1          |
| 315T3202-5069 |                     | 2    | 500G | 1          |
| 315T3202-5070 |                     | 2    | 505G | 1          |
| 315T3202-5075 |                     | 2    | 500H | 1          |
| 315T3202-5076 |                     | 2    | 505H | 1          |
| 315T3202-5079 |                     | 2    | 500K | 1          |
| 315T3202-5080 |                     | 2    | 505K | 1          |
| 315T3202-5081 |                     | 2    | 500L | 1          |
| 315T3202-5082 |                     | 2    | 505L | 1          |
| 315T3202-5085 |                     | 2    | 500M | 1          |
| 315T3202-5086 |                     | 2    | 505M | 1          |
| 315T3202-5087 |                     | 2    | 500N | 1          |
| 315T3202-5088 |                     | 2    | 505N | 1          |
| 315T3202-5089 |                     | 2    | 500P | 1          |
| 315T3202-5090 |                     | 2    | 505P | 1          |
| 315T3202-5091 |                     | 2    | 500Q | 1          |
| 315T3202-5092 |                     | 2    | 505Q | 1          |
| 315T3202-5095 |                     | 2    | 500R | 1          |
| 315T3202-5096 |                     | 2    | 505R | 1          |
| 315T3202-5097 |                     | 2    | 500S | 1          |
| 315T3202-5098 |                     | 2    | 505S | 1          |
| 315T3202-5099 |                     | 2    | 500T | 1          |
| 315T3202-5100 |                     | 2    | 505T | 1          |
| 315T3202-5104 |                     | 2    | 505U | 1          |
| 315T3202-5105 |                     | 2    | 500U | 1          |
| 315T3202-5107 |                     | 2    | 500V | 1          |
| 315T3202-5108 |                     | 2    | 505V | 1          |
| 315T3202-5109 |                     | 2    | 500W | 1          |
| 315T3202-5110 |                     | 2    | 505W | 1          |
| 315T3202-5111 |                     | 2    | 500X | 1          |
| 315T3202-5112 |                     | 2    | 505X | 1          |
| 315T3202-5113 |                     | 2    | 500Y | 1          |
| 315T3202-5114 |                     | 2    | 505Y | 1          |
| 315T3202-5115 |                     | 2    | 500Z | 1          |
| 315T3202-5116 |                     | 2    | 505Z | 1          |
| 315T3202-5117 |                     | 2    | 501  | 1          |
| 315T3202-5118 |                     | 2    | 506  | 1          |
| 315T3202-5119 |                     | 2    | 501A | 1          |
| 315T3202-5120 |                     | 2    | 506A | 1          |
| 315T3202-5121 |                     | 2    | 501B | 1          |
| 315T3202-5122 |                     | 2    | 506B | 1          |
| 315T3202-5123 |                     | 2    | 501C | 1          |
| 315T3202-5124 |                     | 2    | 506C | 1          |
| 315T3202-5127 |                     | 2    | 501D | 1          |
| 315T3202-5128 |                     | 2    | 506D | 1          |

# 71-11-56

 ILLUSTRATED PARTS LIST  
 01.1 Page 1014Z  
 Nov 01/04

| PART NUMBER   | AIRLINE<br>PART NO. | FIG. | ITEM | TTL<br>REQ |
|---------------|---------------------|------|------|------------|
| 315T3202-5129 |                     | 2    | 501E | 1          |
| 315T3202-5130 |                     | 2    | 506E | 1          |
| 315T3202-69   |                     | 25   | 865  | 1          |
| 315T3202-7005 |                     | 2    | 10   | 1          |
| 315T3202-7006 |                     | 2    | 15   | 1          |
| 315T3202-7007 |                     | 2    | 10A  | 1          |
| 315T3202-7008 |                     | 2    | 15A  | 1          |
| 315T3202-7009 |                     | 2    | 10B  | 1          |
| 315T3202-7010 |                     | 2    | 15B  | 1          |
| 315T3202-91   |                     | 2    | 828  | 1          |
| 315T3202-92   |                     | 2    | 828M | 1          |
| 315T3204-11   |                     | 1    | 796  | 1          |
|               |                     | 1    | 924A | 1          |
|               |                     | 13   | 1    | RF         |
|               |                     | 16   | 85   | 1          |
| 315T3204-12   |                     | 1    | 798  | 1          |
|               |                     | 1    | 927A | 1          |
|               |                     | 13   | 5    | RF         |
|               |                     | 16   | 90   | 1          |
| 315T3204-15   |                     | 1    | 924  | 1          |
|               |                     | 16   | 85A  | 1          |
| 315T3204-16   |                     | 1    | 927  | 1          |
|               |                     | 16   | 90A  | 1          |
| 315T3204-19   |                     | 13   | 1F   | RF         |
|               |                     | 18   | 906  | 1          |
| 315T3204-20   |                     | 13   | 5F   | RF         |
|               |                     | 18   | 909  | 1          |
| 315T3204-21   |                     | 1    | 796A | 1          |
|               |                     | 1    | 924B | 1          |
|               |                     | 13   | 1G   | RF         |
|               |                     | 16   | 85B  | 1          |
|               |                     | 18   | 906A | 1          |

**71-11-56**

ILLUSTRATED PARTS LIST  
01.1 Page 1015  
Nov 01/04

| PART NUMBER   | AIRLINE<br>PART NO. | FIG. | ITEM | TTL<br>REQ |
|---------------|---------------------|------|------|------------|
| 315T3204-22   |                     | 1    | 798A | 1          |
|               |                     | 1    | 927B | 1          |
|               |                     | 13   | 5G   | RF         |
|               |                     | 16   | 90B  | 1          |
|               |                     | 18   | 909A | 1          |
| 315T3204-23   |                     | 13   | 1K   | RF         |
| 315T3204-24   |                     | 13   | 5K   | RF         |
| 315T3204-25   |                     | 13   | 1L   | RF         |
| 315T3204-26   |                     | 13   | 5L   | RF         |
| 315T3204-27   |                     | 13   | 1M   | RF         |
| 315T3204-28   |                     | 13   | 5M   | RF         |
| 315T3204-29   |                     | 13   | 1N   | RF         |
| 315T3204-30   |                     | 13   | 5N   | RF         |
| 315T3204-31   |                     | 13   | 1P   | RF         |
| 315T3204-32   |                     | 13   | 5P   | RF         |
| 315T3204-33   |                     | 13   | 1Q   | RF         |
| 315T3204-34   |                     | 13   | 5Q   | RF         |
| 315T3204-5011 |                     | 1    | 930  | 1          |
|               |                     | 13   | 1D   | RF         |
|               |                     | 16   | 95   | 1          |
| 315T3204-5012 |                     | 1    | 933  | 1          |
|               |                     | 13   | 5D   | RF         |
|               |                     | 16   | 100  | 1          |
| 315T3204-5013 |                     | 1    | 930A | 1          |
| 315T3204-5013 |                     | 13   | 1E   | RF         |
|               |                     | 16   | 95A  | 1          |
| 315T3204-5014 |                     | 1    | 933A | 1          |
|               |                     | 13   | 5E   | RF         |
|               |                     | 16   | 100A | 1          |
| 315T3206-19   |                     | 2    | 770  | 1          |
| 315T3206-21   |                     | 2    | 790  | 1          |

# 71-11-56

 ILLUSTRATED PARTS LIST  
 01.1 Page 1016  
 Nov 01/04

| PART NUMBER | AIRLINE<br>PART NO. | FIG. | ITEM | TTL<br>REQ |
|-------------|---------------------|------|------|------------|
| 315T3206-27 |                     | 2    | 790A | 1          |
| 315T3206-28 |                     | 2    | 795  | 1          |
| 315T3206-29 |                     | 2    | 770A | 1          |
| 315T3206-30 |                     | 2    | 775  | 1          |
| 315T3206-31 |                     | 2    | 770B | 1          |
| 315T3206-32 |                     | 2    | 775A | 1          |
| 315T3206-33 |                     | 2    | 790B | 1          |
| 315T3206-34 |                     | 2    | 795A | 1          |
| 315T3206-35 |                     | 2    | 770C | 1          |
| 315T3206-36 |                     | 2    | 775B | 1          |
| 315T3206-37 |                     | 2    | 790C | 1          |
| 315T3206-38 |                     | 2    | 795B | 1          |
| 315T3206-39 |                     | 2    | 770D | 1          |
| 315T3206-40 |                     | 2    | 775C | 1          |
| 315T3206-41 |                     | 2    | 790D | 1          |
| 315T3206-42 |                     | 2    | 795C | 1          |
| 315T3220-1  |                     | 13   | 35   | 6          |
| 315T3222-10 |                     | 13   | 17B  | 1          |
| 315T3222-4  |                     | 13   | 15   | 1          |
| 315T3222-5  |                     | 13   | 15B  | 1          |
| 315T3222-6  |                     | 13   | 15A  | 1          |
| 315T3222-7  |                     | 13   | 15C  | 1          |
| 315T3222-9  |                     | 13   | 17   | 1          |
| 315T3223-5  |                     | 13   | 135  | 1          |
| 315T3224-10 |                     | 13   | 130  | 1          |
| 315T3224-9  |                     | 13   | 125  | 1          |
| 315T3239-10 |                     | 3    | 152  | 1          |
|             |                     | 21   | 200  | 1          |
| 315T3239-11 |                     | 3    | 153  | 1          |
|             |                     | 21   | 205  | 1          |
| 315T3239-12 |                     | 3    | 156  | 1          |
|             |                     | 21   | 225  | 1          |
| 315T3239-13 |                     | 3    | 157  | 1          |
|             |                     | 21   | 230  | 1          |
| 315T3239-14 |                     | 3    | 190B | 1          |

**71-11-56**

ILLUSTRATED PARTS LIST  
01.1 Page 1016A  
Nov 01/04

| PART NUMBER   | AIRLINE<br>PART NO. | FIG. | ITEM | TTL<br>REQ |
|---------------|---------------------|------|------|------------|
| 315T3239-15   |                     | 3    | 185C | 1          |
| 315T3239-16   |                     | 3    | 185D | 1          |
| 315T3239-17   |                     | 3    | 190C | 1          |
|               |                     | 21   | 285  | 1          |
| 315T3239-18   |                     | 3    | 185E | 1          |
|               |                     | 15   | 20   | 1          |
|               |                     | 21   | 280  | 1          |
| 315T3239-19   |                     | 15   | 25   | 1          |
| 315T3239-2    |                     | 21   | 265  | 1          |
| 315T3239-4    |                     | 3    | 190A | 1          |
| 315T3239-5    |                     | 3    | 185B | 1          |
| 315T3239-9    |                     | 21   | 260  | 1          |
| 315T3240-10   |                     | 23   | 5    | RF         |
| 315T3240-11   |                     | 1    | 846  | 1          |
|               |                     | 8    | 1    | RF         |
| 315T3240-12   |                     | 1    | 848  | 1          |
|               |                     | 8    | 5    | RF         |
| 315T3240-13   |                     | 8    | 20   | 1          |
|               |                     | 23   | 185  | 1          |
| 315T3240-16   |                     | 8    | 73   | 2          |
|               |                     | 23   | 110  | 2          |
| 315T3240-17   |                     | 23   | 1B   | RF         |
| 315T3240-18   |                     | 23   | 5A   | RF         |
| 315T3240-19   |                     | 23   | 1C   | RF         |
| 315T3240-20   |                     | 23   | 5B   | RF         |
| 315T3240-21   |                     | 23   | 1D   | RF         |
| 315T3240-22   |                     | 23   | 5C   | RF         |
| 315T3240-23   |                     | 23   | 1E   | RF         |
| 315T3240-24   |                     | 23   | 5D   | RF         |
| 315T3240-25   |                     | 23   | 1F   | RF         |
| 315T3240-26   |                     | 23   | 5E   | RF         |
| 315T3240-27   |                     | 23   | 1G   | RF         |
| 315T3240-28   |                     | 23   | 5F   | RF         |
| 315T3240-3    |                     | 8    | 75   | 1          |
|               |                     | 23   | 115  | 1          |
| 315T3240-5011 |                     | 8    | 10   | 1          |
| 315T3240-5012 |                     | 8    | 15   | 1          |
| 315T3240-5014 |                     | 8    | 15A  | 1          |
| 315T3240-5015 |                     | 8    | 10A  | 1          |
| 315T3240-5016 |                     | 8    | 10B  | 1          |
| 315T3240-6    |                     | 8    | 70   | 1          |
|               |                     | 23   | 200  | 1          |
| 315T3240-7    |                     | 8    | 45   | 1          |
|               |                     | 23   | 55   | 1          |
| 315T3240-8    |                     | 8    | 65   | 1          |
| 315T3240-8    |                     | 23   | 130  | 1          |
| 315T3240-9    |                     | 23   | 1A   | RF         |

# 71-11-56

 ILLUSTRATED PARTS LIST  
 01.1 Page 1016B  
 Nov 01/04



| PART NUMBER | AIRLINE<br>PART NO. | FIG. | ITEM | TTL<br>REQ |
|-------------|---------------------|------|------|------------|
| 315T3241-1  |                     | 8    | 95   | 1          |
|             |                     | 23   | 70   | 1          |
| 315T3241-11 |                     | 8    | 185  | 1          |
|             |                     | 23   | 10   | 1          |
| 315T3241-12 |                     | 8    | 190  | 1          |
|             |                     | 23   | 15   | 1          |
| 315T3241-15 |                     | 8    | 30   | 1          |
|             |                     | 23   | 195  | 1          |
| 315T3241-16 |                     | 8    | 25   | 1          |
|             |                     | 23   | 190  | 1          |
| 315T3241-17 |                     | 8    | 80   | 1          |
|             |                     | 23   | 120  | 1          |
| 315T3241-18 |                     | 8    | 85   | 1          |
|             |                     | 23   | 125  | 1          |
| 315T3241-2  |                     | 8    | 100  | 1          |
|             |                     | 23   | 75   | 1          |
| 315T3241-20 |                     | 8    | 115  | 1          |
|             |                     | 23   | 90   | 1          |
| 315T3241-21 |                     | 8    | 125  | 1          |
|             |                     | 23   | 100  | 1          |
| 315T3241-22 |                     | 8    | 130  | 1          |
|             |                     | 23   | 105  | 1          |
| 315T3241-26 |                     | 8    | 120  | 1          |
|             |                     | 8    | 195  | 1          |
|             |                     | 23   | 20   | 1          |
| 315T3241-27 |                     | 23   | 95   | 1          |
|             |                     | 8    | 200  | 1          |
|             |                     | 23   | 25   | 1          |
| 315T3241-28 |                     | 8    | 205  | 1          |
|             |                     | 23   | 30   | 1          |
|             |                     | 8    | 210  | 1          |
| 315T3241-29 |                     | 23   | 35   | 1          |
|             |                     | 8    | 105  | 1          |
|             |                     | 23   | 80   | 1          |
| 315T3241-30 |                     | 8    | 215  | 1          |
|             |                     | 23   | 40   | 1          |
|             |                     | 8    | 110  | 1          |
| 315T3241-4  |                     | 23   | 85   | 1          |
|             |                     | 8    | 135  | 1          |
|             |                     | 23   | 135  | 1          |
| 315T3241-41 |                     | 8    | 140  | 1          |
|             |                     | 23   | 140  | 1          |
|             |                     | 8    | 170  | 1          |
| 315T3241-42 |                     | 23   | 140  | 1          |
|             |                     | 8    | 140  | 1          |
|             |                     | 23   | 140  | 1          |
| 315T3241-43 |                     | 8    | 170  | 1          |

**71-11-56**

ILLUSTRATED PARTS LIST  
01.1 Page 1016C  
Nov 01/04

| PART NUMBER | AIRLINE<br>PART NO. | FIG. | ITEM | TTL<br>REQ |
|-------------|---------------------|------|------|------------|
| 315T3241-43 |                     | 23   | 170  | 1          |
| 315T3241-44 |                     | 8    | 175  | 1          |
|             |                     | 23   | 175  | 1          |
| 315T3241-45 |                     | 8    | 155  | 1          |
|             |                     | 23   | 155  | 1          |
| 315T3241-46 |                     | 8    | 160  | 1          |
|             |                     | 23   | 160  | 1          |
| 315T3241-47 |                     | 8    | 165  | 1          |
|             |                     | 23   | 165  | 1          |
| 315T3241-48 |                     | 8    | 50   | 1          |
| 315T3241-49 |                     | 8    | 55   | 1          |
|             |                     | 23   | 45   | 1          |
| 315T3241-50 |                     | 8    | 60   | 1          |
|             |                     | 23   | 50   | 1          |
| 315T3241-51 |                     | 8    | 35   | 1          |
|             |                     | 23   | 210  | 1          |
| 315T3241-52 |                     | 8    | 40   | 1          |
|             |                     | 23   | 205  | 1          |
| 315T3241-53 |                     | 8    | 180  | 1          |
|             |                     | 23   | 180  | 1          |
| 315T3241-55 |                     | 8    | 50A  | 1          |
|             |                     | 23   | 60   | 1          |
| 315T3244-1  |                     | 3    | 203  | 1          |
|             |                     | 21   | 300  | 1          |
| 315T3244-4  |                     | 3    | 204  | 1          |
|             |                     | 21   | 305  | 1          |
| 315T3246-1  |                     | 25   | 925  | 5          |
| 315T3257-1  |                     | 7    | 628  | 1          |
| 315T3257-2  |                     | 7    | 630  | 1          |
| 315T3257-3  |                     | 5    | 15   | 1          |
| 315T3257-4  |                     | 5    | 20   | 1          |
| 315T3300-12 |                     | 5    | 350  | 1          |

# 71-11-56

 ILLUSTRATED PARTS LIST  
 01.1 Page 1016D  
 Nov 01/04

| PART NUMBER  | AIRLINE<br>PART NO. | FIG. | ITEM | TTL<br>REQ |
|--------------|---------------------|------|------|------------|
| 315T3300-13  |                     | 5    | 360  | 1          |
| 315T3300-14  |                     | 5    | 560  | 1          |
| 315T3300-15  |                     | 5    | 440  | 1          |
| 315T3300-16  |                     | 5    | 445  | 1          |
| 315T3300-21  |                     | 5    | 335  | 1          |
| 315T3300-22  |                     | 5    | 340  | 1          |
| 315T3301-45  |                     | 5    | 235  | 1          |
| 315T3301-60  |                     | 5    | 240  | 1          |
| 315T3305-101 |                     | 17   | 325  | 1          |
| 315T3305-102 |                     | 17   | 330  | 1          |
| 315T3305-103 |                     | 17   | 300  | 1          |
| 315T3305-104 |                     | 17   | 305  | 1          |
| 315T3305-111 |                     | 17   | 360  | 1          |
| 315T3305-112 |                     | 17   | 365  | 1          |
| 315T3305-135 |                     | 17   | 445  | 1          |
| 315T3305-136 |                     | 17   | 450  | 1          |
| 315T3305-143 |                     | 17   | 380  | 1          |
| 315T3305-144 |                     | 17   | 385  | 1          |
| 315T3305-145 |                     | 17   | 405  | 1          |
| 315T3305-146 |                     | 17   | 410  | 1          |
| 315T3305-147 |                     | 17   | 455  | 1          |
| 315T3305-148 |                     | 17   | 460  | 1          |
| 315T3305-149 |                     | 17   | 435  | 1          |
| 315T3305-150 |                     | 17   | 440  | 1          |
| 315T3305-151 |                     | 17   | 415  | 1          |
| 315T3305-152 |                     | 17   | 420  | 1          |
| 315T3305-153 |                     | 17   | 335  | 1          |
| 315T3305-154 |                     | 17   | 340  | 1          |
| 315T3305-155 |                     | 1    | 328  | 1          |
|              |                     | 17   | 1A   | RF         |
| 315T3305-156 |                     | 1    | 331  | 1          |
|              |                     | 17   | 5    | RF         |
| 315T3305-157 |                     | 17   | 70   | 1          |
| 315T3305-159 |                     | 17   | 190  | 1          |
| 315T3305-160 |                     | 17   | 285  | 1          |

**71-11-56**

ILLUSTRATED PARTS LIST  
01.1 Page 1016E  
Nov 01/04

| PART NUMBER  | AIRLINE<br>PART NO. | FIG. | ITEM | TTL<br>REQ |
|--------------|---------------------|------|------|------------|
| 315T3305-161 |                     | 17   | 290  | 1          |
| 315T3305-162 |                     | 17   | 295  | 1          |
| 315T3305-163 |                     | 17   | 445A | 1          |
| 315T3305-164 |                     | 17   | 450A | 1          |
| 315T3305-165 |                     | 17   | 455A | 1          |
| 315T3305-166 |                     | 17   | 460A | 1          |
| 315T3305-167 |                     | 17   | 415A | 1          |
| 315T3305-168 |                     | 17   | 420A | 1          |
| 315T3305-169 |                     | 17   | 335A | 1          |
| 315T3305-170 |                     | 17   | 340A | 1          |
| 315T3305-171 |                     | 17   | 360A | 1          |
| 315T3305-172 |                     | 17   | 365A | 1          |
| 315T3305-173 |                     | 17   | 370A | 1          |
| 315T3305-174 |                     | 17   | 375A | 1          |
| 315T3305-175 |                     | 17   | 70A  | 1          |
| 315T3305-176 |                     | 17   | 75   | 2          |
| 315T3305-177 |                     | 17   | 290A | 1          |
| 315T3305-178 |                     | 17   | 295A | 1          |
| 315T3305-179 |                     | 17   | 400A | 1          |
| 315T3305-18  |                     | 17   | 400  | 1          |
| 315T3305-181 |                     | 17   | 335B | 1          |
| 315T3305-183 |                     | 17   | 220A | 1          |
| 315T3305-184 |                     | 17   | 225A | 1          |
| 315T3305-185 |                     | 17   | 115A | 1          |
| 315T3305-186 |                     | 17   | 120A | 1          |
| 315T3305-187 |                     | 17   | 140A | 1          |
| 315T3305-188 |                     | 17   | 145A | 1          |
| 315T3305-189 |                     | 17   | 80A  | 1          |
| 315T3305-190 |                     | 17   | 85A  | 1          |
| 315T3305-191 |                     | 17   | 105A | 1          |
| 315T3305-192 |                     | 17   | 110A | 1          |
| 315T3305-193 |                     | 17   | 230A | 1          |
| 315T3305-194 |                     | 17   | 235A | 1          |
| 315T3305-195 |                     | 17   | 255A | 1          |
| 315T3305-196 |                     | 17   | 260A | 1          |

# 71-11-56

 ILLUSTRATED PARTS LIST  
 01.1 Page 1016F  
 Nov 01/04

| PART NUMBER  | AIRLINE<br>PART NO. | FIG. | ITEM | TTL<br>REQ |
|--------------|---------------------|------|------|------------|
| 315T3305-197 |                     | 17   | 150A | 1          |
| 315T3305-198 |                     | 17   | 155A | 1          |
| 315T3305-199 |                     | 17   | 175A | 1          |
| 315T3305-200 |                     | 17   | 180A | 1          |
| 315T3305-201 |                     | 17   | 195A | 1          |
| 315T3305-202 |                     | 17   | 200A | 1          |
| 315T3305-203 |                     | 17   | 1B   | RF         |
|              |                     | 18   | 306  | 1          |
| 315T3305-204 |                     | 17   | 5A   | RF         |
|              |                     | 18   | 309  | 1          |
| 315T3305-205 |                     | 17   | 1D   | RF         |
| 315T3305-206 |                     | 17   | 5C   | RF         |
| 315T3305-207 |                     | 17   | 1E   | RF         |
| 315T3305-208 |                     | 17   | 5D   | RF         |
| 315T3305-51  |                     | 17   | 370  | 1          |
| 315T3305-52  |                     | 17   | 375  | 1          |
| 315T3305-59  |                     | 17   | 230  | 1          |
| 315T3305-60  |                     | 17   | 235  | 1          |
| 315T3305-61  |                     | 17   | 255  | 1          |
| 315T3305-62  |                     | 17   | 260  | 1          |
| 315T3305-63  |                     | 17   | 195  | 1          |
| 315T3305-64  |                     | 17   | 200  | 1          |
| 315T3305-65  |                     | 17   | 220  | 1          |
| 315T3305-66  |                     | 17   | 225  | 1          |
| 315T3305-67  |                     | 17   | 150  | 1          |
| 315T3305-68  |                     | 17   | 155  | 1          |
| 315T3305-69  |                     | 17   | 175  | 1          |
| 315T3305-70  |                     | 17   | 180  | 1          |
| 315T3305-71  |                     | 17   | 115  | 1          |
| 315T3305-72  |                     | 17   | 120  | 1          |
| 315T3305-73  |                     | 17   | 140  | 1          |
| 315T3305-74  |                     | 17   | 145  | 1          |
| 315T3305-75  |                     | 17   | 80   | 1          |
| 315T3305-76  |                     | 17   | 85   | 1          |
| 315T3305-77  |                     | 17   | 105  | 1          |
| 315T3305-78  |                     | 17   | 110  | 1          |
| 315T3305-79  |                     | 17   | 35   | 1          |
| 315T3305-80  |                     | 17   | 40   | 1          |
| 315T3305-81  |                     | 17   | 55   | 1          |
| 315T3305-82  |                     | 17   | 60   | 1          |
| 315T3305-89  |                     | 17   | 390  | 1          |
| 315T3305-90  |                     | 17   | 395  | 1          |
| 315T3307-31  |                     | 9    | 285  | 1          |
| 315T3307-32  |                     | 9    | 290  | 1          |
| 315T3307-35  |                     | 19   | 25   | 1          |
|              |                     | 22   | 30   | 1          |

71-11-56

ILLUSTRATED PARTS LIST  
01.1 Page 1016G  
Nov 01/04

| PART NUMBER | AIRLINE<br>PART NO. | FIG. | ITEM | TTL<br>REQ |
|-------------|---------------------|------|------|------------|
| 315T3307-36 |                     | 19   | 30   | 1          |
|             |                     | 22   | 35   | 1          |
| 315T3307-37 |                     | 19   | 125  | 1          |
|             |                     | 22   | 115  | 1          |
| 315T3307-38 |                     | 1    | 310  | 1          |
|             |                     | 19   | 100  | 1          |
| 315T3307-45 |                     | 22   | 90   | 1          |
|             |                     | 19   | 15   | 2          |
| 315T3307-46 |                     | 22   | 20   | 2          |
|             |                     | 19   | 20   | 2          |
| 315T3307-47 |                     | 22   | 25   | 2          |
|             |                     | 1    | 324  | 1          |
| 315T3307-53 |                     | 1    | 283  | 1          |
| 315T3307-54 |                     | 1    | 286  | 1          |
| 315T3307-57 |                     | 1    | 292  | 1          |
| 315T3307-58 |                     | 1    | 295  | 1          |
| 315T3307-63 |                     | 1    | 311A | 1          |
| 315T3307-64 |                     | 1    | 312  | 1          |
| 315T3307-65 |                     | 9    | 285A | 1          |
|             |                     | 19   | 40   | 1          |
| 315T3307-66 |                     | 22   | 40   | 1          |
|             |                     | 9    | 290A | 1          |
| 315T3307-67 |                     | 19   | 45   | 1          |
|             |                     | 22   | 45   | 1          |
| 315T3307-68 |                     | 1    | 292A | 1          |
| 315T3307-69 |                     | 1    | 295A | 1          |
| 315T3307-70 |                     | 1    | 311B | 1          |
|             |                     | 19   | 110  | 1          |
| 315T3307-73 |                     | 22   | 100  | 1          |
|             |                     | 1    | 312A | 1          |
| 315T3307-74 |                     | 19   | 115  | 1          |
|             |                     | 22   | 105  | 1          |
| 315T3307-75 |                     | 1    | 292B | 1          |
|             |                     | 19   | 50   | 1          |
| 315T3307-76 |                     | 1    | 295B | 1          |
|             |                     | 19   | 55   | 1          |
| 315T3307-77 |                     | 1    | 324A | 1          |
|             |                     | 19   | 130  | 1          |
| 315T3307-78 |                     | 22   | 120  | 1          |
|             |                     | 1    | 324J | 1          |
| 315T3307-79 |                     | 19   | 135  | 1          |
|             |                     | 22   | 125  | 1          |
| 315T3307-80 |                     | 18   | 294  | 1          |
|             |                     | 19   | 1A   | RF         |

# 71-11-56

 ILLUSTRATED PARTS LIST  
 01.1 Page 1016H  
 Nov 01/04

| PART NUMBER  | AIRLINE<br>PART NO. | FIG. | ITEM | TTL<br>REQ |
|--------------|---------------------|------|------|------------|
| 315T3307-78  |                     | 18   | 297  | 1          |
|              |                     | 19   | 5    | RF         |
| 315T3307-79  |                     | 22   | 1A   | RF         |
| 315T3307-80  |                     | 22   | 5    | RF         |
| 315T3307-81  |                     | 22   | 1B   | RF         |
| 315T3307-82  |                     | 22   | 5A   | RF         |
| 315T3307-83  |                     | 22   | 1C   | RF         |
| 315T3307-84  |                     | 22   | 5B   | RF         |
| 315T3308-23  |                     | 5    | 400  | 1          |
| 315T3308-24  |                     | 5    | 405  | 1          |
| 315T3308-31  |                     | 5    | 415  | 1          |
| 315T3308-32  |                     | 5    | 420  | 1          |
| 315T3308-33  |                     | 5    | 365  | 1          |
| 315T3308-34  |                     | 5    | 370  | 1          |
| 315T3308-35  |                     | 5    | 410  | 1          |
| 315T3308-38  |                     | 5    | 410A | 1          |
| 315T3308-39  |                     | 5    | 365C | 1          |
| 315T3308-40  |                     | 5    | 370C | 1          |
| 315T3308-41  |                     | 5    | 400A | 1          |
| 315T3308-42  |                     | 5    | 405A | 1          |
| 315T3308-43  |                     | 5    | 365D | 1          |
| 315T3308-44  |                     | 5    | 370D | 1          |
| 315T3308-45  |                     | 5    | 400B | 1          |
| 315T3308-46  |                     | 5    | 405B | 1          |
| 315T3308-47  |                     | 5    | 400C | 1          |
| 315T3308-48  |                     | 5    | 405C | 1          |
| 315T3308-49  |                     | 5    | 365G | 1          |
| 315T3308-50  |                     | 5    | 370G | 1          |
| 315T3310-5   |                     | 5    | 450  | 1          |
| 315T3310-6   |                     | 5    | 455  | 1          |
| 315T3310-7   |                     | 5    | 470  | 1          |
| 315T3310-8   |                     | 5    | 475  | 1          |
| 315T3315-1   |                     | 5    | 195  | 2          |
| 315T3318-105 |                     | 6    | 295  | 1          |
|              |                     | 6    | 400  | 1          |

**71-11-56**

ILLUSTRATED PARTS LIST  
01.1 Page 1016I  
Nov 01/04

| PART NUMBER  | AIRLINE<br>PART NO. | FIG. | ITEM | TTL<br>REQ |
|--------------|---------------------|------|------|------------|
| 315T3318-106 |                     | 6    | 300  | 1          |
|              |                     | 6    | 405  | 1          |
| 315T3318-113 |                     | 6    | 187  | 1          |
| 315T3318-114 |                     | 6    | 190  | 1          |
| 315T3318-133 |                     | 1    | 670  | 1          |
| 315T3318-134 |                     | 1    | 672  | 1          |
| 315T3318-135 |                     | 6    | 165  | 1          |
| 315T3318-136 |                     | 6    | 170  | 1          |
| 315T3318-141 |                     | 6    | 275  | 1          |
| 315T3318-141 |                     | 6    | 380  | 1          |
| 315T3318-142 |                     | 6    | 280  | 1          |
|              |                     | 6    | 385  | 1          |
| 315T3318-143 |                     | 6    | 180  | 1          |
|              |                     | 6    | 192  | 1          |
| 315T3318-144 |                     | 6    | 185  | 1          |
|              |                     | 6    | 192J | 1          |
| 315T3318-145 |                     | 6    | 265  | 1          |
|              |                     | 6    | 370  | 1          |
| 315T3318-146 |                     | 6    | 270  | 1          |
|              |                     | 6    | 375  | 1          |
| 315T3318-147 |                     | 6    | 250  | 1          |
|              |                     | 6    | 360  | 1          |
| 315T3318-148 |                     | 6    | 255  | 1          |
|              |                     | 6    | 365  | 1          |
| 315T3318-149 |                     | 6    | 240  | 1          |
|              |                     | 6    | 350  | 1          |
| 315T3318-150 |                     | 6    | 245  | 1          |
|              |                     | 6    | 355  | 1          |
| 315T3318-151 |                     | 6    | 215  | 1          |
|              |                     | 6    | 330  | 1          |
| 315T3318-152 |                     | 6    | 220  | 1          |
|              |                     | 6    | 335  | 1          |
| 315T3318-153 |                     | 6    | 225  | 1          |
|              |                     | 6    | 340  | 1          |

# 71-11-56

 ILLUSTRATED PARTS LIST  
 01.1 Page 1016J  
 Nov 01/04



| PART NUMBER  | AIRLINE<br>PART NO. | FIG. | ITEM | TTL<br>REQ |
|--------------|---------------------|------|------|------------|
| 315T3318-154 |                     | 6    | 230  | 1          |
|              |                     | 6    | 345  | 1          |
| 315T3318-157 |                     | 6    | 210  | 1          |
|              |                     | 6    | 325  | 1          |
| 315T3318-163 |                     | 6    | 195  | 1          |
| 315T3318-164 |                     | 6    | 200  | 1          |
| 315T3318-169 |                     | 6    | 195B | 1          |
| 315T3318-170 |                     | 6    | 200A | 1          |
| 315T3318-179 |                     | 6    | 27   | 1          |
| 315T3318-183 |                     | 6    | 195D | 1          |
| 315T3318-185 |                     | 6    | 195C | 1          |
| 315T3318-186 |                     | 6    | 200B | 1          |
| 315T3318-187 |                     | 1    | 436  | 1          |
|              |                     | 6    | 1D   | RF         |
| 315T3318-188 |                     | 1    | 439  | 1          |
|              |                     | 6    | 5B   | RF         |
| 315T3318-191 |                     | 6    | 285A | 1          |
| 315T3318-192 |                     | 6    | 290A | 1          |
| 315T3318-193 |                     | 6    | 305B | 1          |
| 315T3318-194 |                     | 6    | 310B | 1          |
| 315T3318-195 |                     | 6    | 30A  | 1          |
| 315T3318-196 |                     | 6    | 53   | 1          |
| 315T3318-197 |                     | 1    | 436A | 1          |
|              |                     | 6    | 1E   | RF         |
|              |                     | 16   | 35   | 1          |
| 315T3318-198 |                     | 1    | 439A | 1          |
|              |                     | 6    | 5C   | RF         |
|              |                     | 16   | 35B  | 1          |
| 315T3318-201 |                     | 6    | 305C | 1          |
|              |                     | 6    | 410  | 1          |
| 315T3318-202 |                     | 6    | 310C | 1          |
|              |                     | 6    | 415  | 1          |
| 315T3318-203 |                     | 6    | 292  | 1          |

**71-11-56**

ILLUSTRATED PARTS LIST  
01.1 Page 1016K  
Nov 01/04

| PART NUMBER  | AIRLINE<br>PART NO. | FIG. | ITEM | TTL<br>REQ |
|--------------|---------------------|------|------|------------|
| 315T3318-204 |                     | 6    | 293  | 1          |
| 315T3318-215 |                     | 6    | 187A | 1          |
| 315T3318-216 |                     | 6    | 190A | 1          |
| 315T3318-217 |                     | 6    | 165A | 1          |
| 315T3318-218 |                     | 6    | 170A | 1          |
| 315T3318-219 |                     | 6    | 195G | 1          |
| 315T3318-220 |                     | 6    | 200E | 1          |
| 315T3318-221 |                     | 6    | 195H | 1          |
| 315T3318-222 |                     | 6    | 200F | 1          |
| 315T3318-227 |                     | 6    | 194  | 1          |
| 315T3318-228 |                     | 6    | 194J | 1          |
| 315T3318-229 |                     | 6    | 305E | 1          |
|              |                     | 6    | 410A | 1          |
| 315T3318-230 |                     | 6    | 310E | 1          |
|              |                     | 6    | 415A | 1          |
| 315T3318-231 |                     | 1    | 436D | 1          |
|              |                     | 6    | 1J   | RF         |
|              |                     | 16   | 35A  | 1          |
| 315T3318-232 |                     | 1    | 439D | 1          |
|              |                     | 6    | 5G   | RF         |
|              |                     | 16   | 35C  | 1          |
| 315T3318-247 |                     | 6    | 195J | 1          |
| 315T3318-248 |                     | 6    | 200G | 1          |
| 315T3318-253 |                     | 6    | 194A | 1          |
| 315T3318-254 |                     | 6    | 194K | 1          |
| 315T3318-259 |                     | 6    | 292B | 1          |
|              |                     | 6    | 390  | 1          |
| 315T3318-260 |                     | 6    | 293B | 1          |
|              |                     | 6    | 395  | 1          |
| 315T3318-269 |                     | 6    | 1L   | RF         |
|              |                     | 18   | 519  | 1          |
| 315T3318-270 |                     | 6    | 5J   | RF         |
|              |                     | 18   | 522  | 1          |
| 315T3318-271 |                     | 6    | 195K | 1          |
| 315T3318-272 |                     | 6    | 200H | 1          |
| 315T3318-273 |                     | 6    | 1M   | RF         |
| 315T3318-274 |                     | 6    | 5K   | RF         |
| 315T3318-277 |                     | 6    | 1N   | RF         |
| 315T3318-278 |                     | 6    | 5L   | RF         |
| 315T3318-279 |                     | 6    | 1P   | RF         |
| 315T3318-280 |                     | 6    | 5M   | RF         |
| 315T3318-281 |                     | 6    | 1Q   | RF         |
| 315T3318-282 |                     | 6    | 5N   | RF         |

# 71-11-56

 ILLUSTRATED PARTS LIST  
 01.1 Page 1016L  
 Nov 01/04

| PART NUMBER   | AIRLINE<br>PART NO. | FIG. | ITEM | TTL<br>REQ |
|---------------|---------------------|------|------|------------|
| 315T3318-283  |                     | 6    | 1R   | RF         |
| 315T3318-284  |                     | 6    | 5P   | RF         |
| 315T3318-285  |                     | 6    | 1S   | RF         |
| 315T3318-286  |                     | 6    | 5Q   | RF         |
| 315T3318-287  |                     | 6    | 1T   | RF         |
| 315T3318-288  |                     | 6    | 5R   | RF         |
| 315T3318-5007 |                     | 1    | 674  | 1          |
|               |                     | 6    | 1    | RF         |
| 315T3318-5008 |                     | 1    | 676  | 1          |
|               |                     | 6    | 5    | RF         |
| 315T3318-5009 |                     | 1    | 674B | 1          |
|               |                     | 6    | 1A   | RF         |
| 315T3318-5010 |                     | 1    | 676A | 1          |
| 315T3318-5010 |                     | 6    | 5A   | RF         |
| 315T3318-5011 |                     | 1    | 674A | 1          |
|               |                     | 6    | 1B   | RF         |
| 315T3318-5013 |                     | 1    | 674C | 1          |
|               |                     | 6    | 1C   | RF         |
| 315T3318-5014 |                     | 1    | 676B | 1          |
|               |                     | 6    | 5D   | RF         |
| 315T3318-5015 |                     | 1    | 674D | 1          |
|               |                     | 6    | 1F   | RF         |
| 315T3319-13   |                     | 6    | 150  | 1          |
| 315T3319-20   |                     | 6    | 80   | 1          |
| 315T3319-26   |                     | 6    | 35   | 1          |
| 315T3319-31   |                     | 6    | 60   | 1          |
| 315T3319-32   |                     | 6    | 75   | 1          |
| 315T3319-41   |                     | 6    | 145  | 1          |
| 315T3319-42   |                     | 6    | 130  | 1          |
| 315T3319-43   |                     | 6    | 135  | 1          |
| 315T3319-44   |                     | 6    | 140  | 1          |
| 315T3319-47   |                     | 6    | 85   | 1          |

**71-11-56**

ILLUSTRATED PARTS LIST  
01.1 Page 1016M  
Nov 01/04

| PART NUMBER  | AIRLINE<br>PART NO. | FIG. | ITEM | TTL<br>REQ |
|--------------|---------------------|------|------|------------|
| 315T3319-48  |                     | 6    | 90   | 1          |
| 315T3319-49  |                     | 6    | 155  | 1          |
| 315T3319-50  |                     | 6    | 160  | 1          |
| 315T3319-51  |                     | 6    | 85B  | 1          |
| 315T3319-52  |                     | 6    | 145A | 1          |
| 315T3319-53  |                     | 6    | 60A  | 1          |
| 315T3319-58  |                     | 6    | 160B | 1          |
| 315T3319-59  |                     | 6    | 155B | 1          |
| 315T3319-6   |                     | 6    | 45   | 1          |
| 315T3319-60  |                     | 6    | 90B  | 1          |
| 315T3319-61  |                     | 6    | 85E  | 1          |
| 315T3319-62  |                     | 6    | 160D | 1          |
| 315T3319-63  |                     | 6    | 85F  | 1          |
| 315T3319-64  |                     | 6    | 90C  | 1          |
| 315T3319-65  |                     | 6    | 155C | 1          |
| 315T3319-67  |                     | 6    | 85G  | 1          |
| 315T3319-68  |                     | 6    | 90D  | 1          |
| 315T3319-69  |                     | 6    | 135A | 1          |
| 315T3319-7   |                     | 6    | 50   | 1          |
| 315T3319-71  |                     | 6    | 85J  | 1          |
| 315T3319-8   |                     | 6    | 55   | 1          |
| 315T3324-3   |                     | 5    | 155  | 1          |
| 315T3324-4   |                     | 5    | 160  | 1          |
| 315T3324-5   |                     | 5    | 155A | 1          |
| 315T3324-6   |                     | 5    | 160A | 1          |
| 315T3400-107 |                     | 7    | 785  | 1          |
| 315T3400-113 |                     | 7    | 780  | 1          |
| 315T3400-121 |                     | 7    | 810  | 1          |
| 315T3400-129 |                     | 7    | 755  | 1          |
| 315T3400-130 |                     | 7    | 380  | 1          |
| 315T3400-171 |                     | 7    | 760  | 1          |
| 315T3400-190 |                     | 7    | 790  | 1          |
| 315T3400-251 |                     | 7    | 770  | 1          |
| 315T3400-263 |                     | 7    | 495  | 1          |
| 315T3400-264 |                     | 7    | 812  | 1          |

# 71-11-56

 ILLUSTRATED PARTS LIST  
 01.1 Page 1016N  
 Nov 01/04

| PART NUMBER  | AIRLINE<br>PART NO. | FIG. | ITEM | TTL<br>REQ |
|--------------|---------------------|------|------|------------|
| 315T3400-267 |                     | 7    | 815  | 1          |
| 315T3400-271 |                     | 7    | 765  | 1          |
| 315T3400-272 |                     | 7    | 775  | 1          |
| 315T3400-275 |                     | 7    | 495A | 1          |
| 315T3400-277 |                     | 7    | 760B | 1          |
| 315T3400-97  |                     | 7    | 795  | 1          |
| 315T3406-10  |                     | 5    | 47B  | 1          |
| 315T3406-11  |                     | 7    | 736C | 1          |
| 315T3406-12  |                     | 7    | 738C | 1          |
| 315T3406-3   |                     | 5    | 45   | 1          |
| 315T3406-4   |                     | 5    | 47   | 1          |
| 315T3406-7   |                     | 7    | 736A | 1          |
| 315T3406-8   |                     | 7    | 738A | 1          |
| 315T3406-9   |                     | 5    | 45B  | 1          |
| 315T3412-15  |                     | 7    | 516  | 1          |
| 315T3412-16  |                     | 7    | 526  | 1          |
| 315T3412-17  |                     | 7    | 516B | 1          |
| 315T3412-18  |                     | 7    | 526B | 1          |
| 315T3413-11  |                     | 7    | 590  | 1          |
| 315T3413-23  |                     | 7    | 570  | 1          |
| 315T3413-24  |                     | 7    | 592  | 1          |
| 315T3413-26  |                     | 7    | 592A | 1          |
| 315T3413-27  |                     | 7    | 570A | 1          |
| 315T3414-3   |                     | 7    | 732  | 6          |
| 315T3415-10  |                     | 5    | 210  | 1          |
| 315T3415-11  |                     | 5    | 215  | 1          |
| 315T3415-12  |                     | 7    | 640  | 1          |
| 315T3415-13  |                     | 7    | 638  | 1          |
| 315T3415-18  |                     | 5    | 210A | 1          |
| 315T3415-19  |                     | 5    | 215A | 1          |
| 315T3415-20  |                     | 7    | 640A | 1          |
| 315T3415-21  |                     | 7    | 638A | 1          |
| 315T3415-27  |                     | 5    | 215C | 1          |
| 315T3415-28  |                     | 5    | 210C | 1          |
| 315T3415-29  |                     | 7    | 638B | 1          |

**71-11-56**

ILLUSTRATED PARTS LIST  
01.1 Page 10160  
Nov 01/04

| PART NUMBER   | AIRLINE<br>PART NO. | FIG. | ITEM | TTL<br>REQ |
|---------------|---------------------|------|------|------------|
| 315T3415-30   |                     | 7    | 640B | 1          |
| 315T3416-11   |                     | 7    | 678A | 1          |
|               |                     | 14   | 45   | 2          |
| 315T3416-18   |                     | 7    | 684  | 2          |
|               |                     | 14   | 55   | 2          |
| 315T3416-24   |                     | 7    | 710  | 1          |
|               |                     | 14   | 120  | 1          |
| 315T3416-25   |                     | 7    | 714  | 1          |
|               |                     | 14   | 130  | 1          |
| 315T3416-26   |                     | 7    | 712  | 1          |
|               |                     | 14   | 125  | 1          |
| 315T3416-28   |                     | 7    | 718  | 1          |
|               |                     | 14   | 140  | 1          |
| 315T3416-32   |                     | 7    | 660  | 1          |
| 315T3416-33   |                     | 7    | 700  | 1          |
|               |                     | 14   | 95   | 1          |
| 315T3416-35   |                     | 7    | 702A | 1          |
|               |                     | 14   | 100  | 1          |
| 315T3416-36   |                     | 7    | 660A | 1          |
|               |                     | 14   | 1    | 1          |
| 315T3416-37   |                     | 7    | 694A | 1          |
|               |                     | 14   | 80   | 1          |
| 315T3416-38   |                     | 7    | 660B | 1          |
| 315T3416-39   |                     | 7    | 684A | 2          |
|               |                     | 14   | 55A  | 2          |
| 315T3416-41   |                     | 7    | 718A | 1          |
|               |                     | 14   | 140A | 1          |
| 315T3416-42   |                     | 7    | 660D | 1          |
|               |                     | 14   | 7    | 1          |
| 315T3416-43   |                     | 7    | 694B | 1          |
|               |                     | 14   | 80A  | 1          |
| 315T3416-44   |                     | 7    | 692A | 1          |
|               |                     | 14   | 75A  | 1          |
| 315T3416-50   |                     | 14   | 1A   | 1          |
| 315T3416-5001 |                     | 14   | 5    | 1          |
| 315T3416-5002 |                     | 14   | 5A   | 1          |
| 315T3416-5003 |                     | 14   | 5B   | 1          |
| 315T3416-52   |                     | 14   | 1B   | 1          |
| 315T3416-54   |                     | 14   | 1C   | 1          |
| 315T3416-56   |                     | 14   | 1D   | 1          |
| 315T3416-58   |                     | 14   | 1E   | 1          |
| 315T3416-6    |                     | 7    | 682  | 2          |
|               |                     | 14   | 50   | 2          |

# 71-11-56

 ILLUSTRATED PARTS LIST  
 01.1 Page 1016P  
 Nov 01/04

| PART NUMBER  | AIRLINE<br>PART NO. | FIG. | ITEM | TTL<br>REQ |
|--------------|---------------------|------|------|------------|
| 315T3416-60  |                     | 14   | 1F   | 1          |
| 315T3416-62  |                     | 14   | 140C | 1          |
| 315T3416-63  |                     | 14   | 7A   | 1          |
| 315T3416-64  |                     | 14   | 1G   | 1          |
| 315T3416-66  |                     | 14   | 1H   | 1          |
| 315T3416-68  |                     | 14   | 1J   | 1          |
| 315T3416-70  |                     | 14   | 1K   | 1          |
| 315T3416-72  |                     | 14   | 1L   | 1          |
| 315T3416-74  |                     | 14   | 1M   | 1          |
| 315T3416-9   |                     | 7    | 702  | 1          |
| 315T3423-1   |                     | 7    | 295  | 4          |
| 315T3554-2   |                     | 1    | 545Z | 1          |
|              |                     | 1    | 896  | 1          |
|              |                     | 20   | 55   | 1          |
| 315T3569-3   |                     | 7    | 668  | 1          |
|              |                     | 14   | 20   | 1          |
| 315T3569-4   |                     | 7    | 670  | 1          |
|              |                     | 14   | 25   | 1          |
| 315T3577-1   |                     | 7    | 564  | 1          |
| 315T3578-1   |                     | 7    | 556  | 1          |
| 315T3578-10  |                     | 7    | 556E | 1          |
| 315T3578-12  |                     | 7    | 556F | 1          |
| 315T3578-14  |                     | 7    | 556G | 1          |
| 315T3578-4   |                     | 7    | 556B | 1          |
| 315T3578-6   |                     | 7    | 556C | 1          |
| 315T3578-8   |                     | 7    | 556D | 1          |
| 315T3633-109 |                     | 24   | 20   | 1          |
|              |                     | 25   | 290  | 1          |
| 315T3633-110 |                     | 24   | 25   | 1          |
|              |                     | 25   | 295  | 1          |
| 315T3633-113 |                     | 2    | 80   | 1          |

**71-11-56**

ILLUSTRATED PARTS LIST  
01.1 Page 1016Q  
Nov 01/04

| PART NUMBER  | AIRLINE<br>PART NO. | FIG. | ITEM | TTL<br>REQ |
|--------------|---------------------|------|------|------------|
| 315T3633-114 |                     | 2    | 85   | 1          |
| 315T3633-117 |                     | 25   | 465  | 1          |
| 315T3633-118 |                     | 25   | 470  | 1          |
| 315T3633-119 |                     | 25   | 455  | 1          |
| 315T3633-120 |                     | 25   | 460  | 1          |
| 315T3633-136 |                     | 25   | 510  | 1          |
| 315T3633-137 |                     | 25   | 505  | 1          |
| 315T3633-145 |                     | 25   | 475  | 1          |
| 315T3633-146 |                     | 25   | 480  | 1          |
| 315T3633-149 |                     | 2    | 60   | 1          |
|              |                     | 25   | 415  | 1          |
| 315T3633-150 |                     | 2    | 65   | 1          |
|              |                     | 25   | 420  | 1          |
| 315T3633-151 |                     | 25   | 525  | 1          |
| 315T3633-152 |                     | 25   | 530  | 1          |
| 315T3633-157 |                     | 25   | 195  | 3          |
| 315T3633-158 |                     | 25   | 200  | 3          |
| 315T3633-165 |                     | 24   | 90   | 1          |
|              |                     | 25   | 360  | 1          |
| 315T3633-166 |                     | 25   | 365  | 1          |
| 315T3633-167 |                     | 24   | 95   | 1          |
| 315T3633-168 |                     | 25   | 165  | 3          |
| 315T3633-169 |                     | 24   | 105  | 1          |
|              |                     | 25   | 375  | 1          |
| 315T3633-171 |                     | 24   | 1A   | RF         |
|              |                     | 25   | 230  | 1          |
| 315T3633-172 |                     | 24   | 5    | RF         |
|              |                     | 25   | 235  | 1          |
| 315T3633-173 |                     | 24   | 1B   | RF         |
| 315T3633-174 |                     | 24   | 5A   | RF         |
| 315T3633-175 |                     | 24   | 1C   | RF         |

# 71-11-56

 ILLUSTRATED PARTS LIST  
 01.1 Page 1016R  
 Nov 01/04



| PART NUMBER  | AIRLINE<br>PART NO. | FIG. | ITEM | TTL<br>REQ |
|--------------|---------------------|------|------|------------|
| 315T3633-176 |                     | 24   | 5B   | RF         |
| 315T3633-177 |                     | 24   | 1D   | RF         |
| 315T3633-178 |                     | 24   | 5C   | RF         |
| 315T3633-179 |                     | 24   | 1E   | RF         |
| 315T3633-180 |                     | 24   | 5D   | RF         |
| 315T3633-181 |                     | 24   | 1F   | RF         |
| 315T3633-182 |                     | 24   | 5E   | RF         |
| 315T3633-183 |                     | 24   | 1G   | RF         |
| 315T3633-184 |                     | 24   | 5F   | RF         |
| 315T3633-3   |                     | 25   | 205  | 3          |
| 315T3633-36  |                     | 25   | 210  | 3          |
| 315T3633-39  |                     | 25   | 215  | 3          |
| 315T3633-43  |                     | 25   | 485  | 1          |
| 315T3633-44  |                     | 25   | 490  | 1          |
| 315T3633-45  |                     | 25   | 495  | 1          |
| 315T3633-46  |                     | 25   | 500  | 1          |
| 315T3633-67  |                     | 10   | 25   | 1          |
|              |                     | 26   | 25   | 1          |
| 315T3633-68  |                     | 10   | 55   | 1          |
|              |                     | 26   | 55   | 1          |
| 315T3633-75  |                     | 25   | 520  | 1          |
| 315T3633-76  |                     | 25   | 515  | 1          |
| 315T3633-81  |                     | 24   | 110  | 1          |
|              |                     | 25   | 380  | 1          |
| 315T3633-82  |                     | 24   | 115  | 1          |
|              |                     | 25   | 385  | 1          |
| 315T3633-84  |                     | 24   | 100  | 1          |
|              |                     | 25   | 370  | 1          |
| 315T3633-85  |                     | 24   | 40   | 1          |
|              |                     | 25   | 310  | 1          |
| 315T3633-86  |                     | 24   | 45   | 1          |
|              |                     | 25   | 315  | 1          |
| 315T3633-87  |                     | 24   | 50   | 1          |
|              |                     | 25   | 320  | 1          |
| 315T3633-88  |                     | 24   | 55   | 1          |
|              |                     | 25   | 325  | 1          |
| 315T3633-89  |                     | 24   | 60   | 1          |
|              |                     | 25   | 330  | 1          |

71-11-56

| PART NUMBER | AIRLINE<br>PART NO. | FIG. | ITEM | TTL<br>REQ |
|-------------|---------------------|------|------|------------|
| 315T3633-90 |                     | 24   | 65   | 1          |
|             |                     | 25   | 335  | 1          |
| 315T3633-91 |                     | 24   | 30   | 1          |
|             |                     | 25   | 300  | 1          |
| 315T3633-92 |                     | 24   | 35   | 1          |
|             |                     | 25   | 305  | 1          |
| 315T3633-93 |                     | 24   | 80   | 2          |
|             |                     | 25   | 350  | 1          |
| 315T3633-96 |                     | 24   | 70   | 1          |
|             |                     | 25   | 340  | 1          |
| 315T3633-97 |                     | 24   | 75   | 1          |
|             |                     | 25   | 345  | 1          |
| 315T3633-98 |                     | 2    | 140  | 1          |
|             |                     | 24   | 120  | 1          |
|             |                     | 25   | 390  | 1          |
| 315T3633-99 |                     | 24   | 135  | 1          |
|             |                     | 25   | 405  | 1          |
| 315T3634-1  |                     | 2    | 555  | 3          |
|             |                     | 2    | 570  | 2          |
| 315T3634-10 |                     | 2    | 575  | 1          |
| 315T3634-11 |                     | 2    | 580  | 1          |
| 315T3634-12 |                     | 2    | 660  | 1          |
| 315T3634-13 |                     | 2    | 665  | 1          |
| 315T3634-15 |                     | 2    | 585  | 3          |
| 315T3634-16 |                     | 2    | 590  | 3          |
| 315T3634-19 |                     | 2    | 670  | 1          |
| 315T3634-2  |                     | 2    | 560  | 3          |
|             |                     | 2    | 565  | 2          |
| 315T3634-20 |                     | 2    | 675  | 1          |
| 315T3634-23 |                     | 2    | 585A | 1          |
| 315T3634-24 |                     | 2    | 590A | 1          |
| 315T3634-25 |                     | 2    | 670A | 1          |
| 315T3634-26 |                     | 2    | 675A | 1          |
| 315T3634-27 |                     | 2    | 585B | 1          |
|             |                     | 25   | 95   | 3          |
| 315T3634-28 |                     | 2    | 590B | 1          |
|             |                     | 25   | 90   | 3          |
| 315T3634-29 |                     | 2    | 670B | 1          |
|             |                     | 25   | 145  | 3          |
| 315T3634-3  |                     | 2    | 640  | 3          |
|             |                     | 2    | 655  | 2          |
| 315T3634-30 |                     | 2    | 675B | 1          |
|             |                     | 25   | 140  | 3          |
| 315T3634-4  |                     | 2    | 645  | 3          |
|             |                     | 2    | 650  | 2          |

# 71-11-56

 ILLUSTRATED PARTS LIST  
 01.1 Page 1016T  
 Nov 01/04

| PART NUMBER | AIRLINE<br>PART NO. | FIG. | ITEM | TTL<br>REQ |
|-------------|---------------------|------|------|------------|
| 315T3637-1  |                     | 2    | 370  | 4          |
|             |                     | 25   | 770  | 4          |
| 315T3662-1  |                     | 24   | 85   | 1          |
|             |                     | 25   | 355  | 1          |
| 315T3665-13 |                     | 7    | 485A | 1          |
| 315T3666-7  |                     | 7    | 642  | 1          |
| 315T3666-8  |                     | 7    | 642A | 1          |
| 315T3704-1  |                     | 2    | 325  | 1          |
|             |                     | 25   | 930  | 1          |
| 315T3704-2  |                     | 2    | 345  | 1          |
|             |                     | 25   | 950  | 1          |
| 315T3704-3  |                     | 25   | 930A | 1          |
| 315T3704-4  |                     | 25   | 950A | 1          |
| 315T3708-2  |                     | 7    | 576  | 1          |
| 315T3708-4  |                     | 7    | 574  | 1          |
| 315T4006-10 |                     | 1    | 921  | 1          |
|             |                     | 16   | 65A  | 1          |
| 315T4006-11 |                     | 1    | 918A | 1          |
|             |                     | 16   | 60B  | 1          |
|             |                     | 18   | 870  | 1          |
| 315T4006-12 |                     | 1    | 921A | 1          |
|             |                     | 16   | 65B  | 1          |
|             |                     | 18   | 873  | 1          |
| 315T4006-5  |                     | 16   | 60   | 1          |
| 315T4006-6  |                     | 16   | 65   | 1          |
| 315T4006-7  |                     | 18   | 876  | 1          |
| 315T4006-8  |                     | 18   | 879  | 1          |
| 315T4006-9  |                     | 1    | 918  | 1          |
| 315T4006-9  |                     | 16   | 60A  | 1          |
| 315T4008-1  |                     | 1    | 768  | 1          |
| 315T4008-2  |                     | 1    | 770  | 1          |
| 315T4008-3  |                     | 18   | 705  | 1          |
| 315T4008-4  |                     | 18   | 708  | 1          |

71-11-56

ILLUSTRATED PARTS LIST  
01.1 Page 1016U  
Nov 01/04

| PART NUMBER  | AIRLINE<br>PART NO. | FIG. | ITEM | TTL<br>REQ |
|--------------|---------------------|------|------|------------|
| 315T4013-10  |                     | 1    | 564  | 1          |
|              |                     | 18   | 636  | 1          |
| 315T4013-100 |                     | 1    | 5T   | RF         |
| 315T4013-101 |                     | 1    | 10T  | RF         |
| 315T4013-102 |                     | 1    | 15V  | RF         |
| 315T4013-103 |                     | 1    | 1W   | RF         |
| 315T4013-104 |                     | 1    | 5U   | RF         |
| 315T4013-105 |                     | 1    | 10U  | RF         |
| 315T4013-106 |                     | 1    | 15W  | RF         |
| 315T4013-107 |                     | 1    | 1X   | RF         |
| 315T4013-108 |                     | 1    | 5V   | RF         |
| 315T4013-109 |                     | 1    | 10V  | RF         |
| 315T4013-11  |                     | 1    | 740  | 1          |
|              |                     | 18   | 750  | 1          |
| 315T4013-110 |                     | 1    | 15X  | RF         |
| 315T4013-111 |                     | 1    | 1Y   | RF         |
| 315T4013-112 |                     | 1    | 5W   | RF         |
| 315T4013-113 |                     | 1    | 10W  | RF         |
| 315T4013-114 |                     | 1    | 15Y  | RF         |
| 315T4013-115 |                     | 1    | 1Z   | RF         |
|              |                     | 18   | 1A   | RF         |
| 315T4013-116 |                     | 1    | 5X   | RF         |
|              |                     | 18   | 3    | RF         |
| 315T4013-117 |                     | 1    | 10X  | RF         |
|              |                     | 18   | 6    | RF         |
| 315T4013-118 |                     | 1    | 15Z  | RF         |
|              |                     | 18   | 9    | RF         |
| 315T4013-119 |                     | 1    | 2    | RF         |
|              |                     | 18   | 1B   | RF         |
| 315T4013-12  |                     | 1    | 742  | 1          |
|              |                     | 18   | 753  | 1          |
| 315T4013-120 |                     | 1    | 5Y   | RF         |
|              |                     | 18   | 3A   | RF         |

# 71-11-56

 ILLUSTRATED PARTS LIST  
 01.1 Page 1016V  
 Nov 01/04

| PART NUMBER  | AIRLINE<br>PART NO. | FIG. | ITEM | TTL<br>REQ |
|--------------|---------------------|------|------|------------|
| 315T4013-121 |                     | 1    | 10Y  | RF         |
|              |                     | 18   | 6A   | RF         |
| 315T4013-122 |                     | 1    | 16   | RF         |
|              |                     | 18   | 9A   | RF         |
| 315T4013-123 |                     | 1    | 2A   | RF         |
|              |                     | 18   | 1C   | RF         |
| 315T4013-124 |                     | 1    | 5Z   | RF         |
| 315T4013-124 |                     | 18   | 3B   | RF         |
| 315T4013-125 |                     | 1    | 10Z  | RF         |
|              |                     | 18   | 6B   | RF         |
| 315T4013-126 |                     | 1    | 16A  | RF         |
|              |                     | 18   | 9B   | RF         |
| 315T4013-127 |                     | 1    | 2B   | RF         |
|              |                     | 18   | 1D   | RF         |
| 315T4013-128 |                     | 1    | 6    | RF         |
|              |                     | 18   | 3C   | RF         |
| 315T4013-13  |                     | 1    | 566  | 1          |
|              |                     | 18   | 639  | 1          |
| 315T4013-131 |                     | 1    | 11   | RF         |
|              |                     | 18   | 6C   | RF         |
| 315T4013-132 |                     | 1    | 16B  | RF         |
|              |                     | 18   | 9C   | RF         |
| 315T4013-135 |                     | 1    | 2C   | RF         |
|              |                     | 18   | 1E   | RF         |
| 315T4013-136 |                     | 1    | 6A   | RF         |
|              |                     | 18   | 3D   | RF         |
| 315T4013-137 |                     | 1    | 11A  | RF         |
|              |                     | 18   | 6D   | RF         |
| 315T4013-138 |                     | 1    | 16C  | RF         |
|              |                     | 18   | 9D   | RF         |
| 315T4013-14  |                     | 1    | 756  | 1          |
|              |                     | 18   | 780  | 1          |
| 315T4013-145 |                     | 1    | 2D   | RF         |
|              |                     | 18   | 1F   | RF         |
| 315T4013-146 |                     | 1    | 6B   | RF         |
|              |                     | 18   | 3E   | RF         |

71-11-56

ILLUSTRATED PARTS LIST  
01.1 Page 1016W  
Nov 01/04

| PART NUMBER  | AIRLINE<br>PART NO. | FIG. | ITEM | TTL<br>REQ |
|--------------|---------------------|------|------|------------|
| 315T4013-147 |                     | 1    | 2E   | RF         |
|              |                     | 18   | 1G   | RF         |
| 315T4013-148 |                     | 1    | 6C   | RF         |
|              |                     | 18   | 3F   | RF         |
| 315T4013-149 |                     | 1    | 11B  | RF         |
|              |                     | 18   | 6E   | RF         |
| 315T4013-15  |                     | 1    | 758  | 2          |
|              |                     | 1    | 759  | 2          |
|              |                     | 18   | 792  | 2          |
|              |                     | 18   | 813  | 2          |
| 315T4013-150 |                     | 1    | 16D  | RF         |
|              |                     | 18   | 9E   | RF         |
| 315T4013-151 |                     | 1    | 11C  | RF         |
|              |                     | 18   | 6F   | RF         |
| 315T4013-152 |                     | 1    | 16E  | RF         |
|              |                     | 18   | 9F   | RF         |
| 315T4013-154 |                     | 1    | 6D   | RF         |
|              |                     | 18   | 3G   | RF         |
| 315T4013-156 |                     | 1    | 16F  | RF         |
|              |                     | 18   | 9G   | RF         |
| 315T4013-158 |                     | 1    | 6E   | RF         |
|              |                     | 18   | 3H   | RF         |
| 315T4013-16  |                     | 1    | 752  | 1          |
|              |                     | 18   | 756  | 1          |
| 315T4013-160 |                     | 1    | 6F   | RF         |
|              |                     | 18   | 3J   | RF         |
| 315T4013-162 |                     | 1    | 16G  | RF         |
|              |                     | 18   | 9H   | RF         |
| 315T4013-164 |                     | 1    | 16H  | RF         |
|              |                     | 18   | 9J   | RF         |
| 315T4013-165 |                     | 1    | 2F   | RF         |
|              |                     | 18   | 1H   | RF         |
| 315T4013-167 |                     | 1    | 11D  | RF         |
|              |                     | 18   | 6G   | RF         |
| 315T4013-169 |                     | 1    | 2G   | RF         |
|              |                     | 18   | 1J   | RF         |
| 315T4013-17  |                     | 1    | 744  | 1          |
|              |                     | 18   | 723  | 1          |
| 315T4013-171 |                     | 1    | 2H   | RF         |
|              |                     | 18   | 1K   | RF         |
| 315T4013-173 |                     | 1    | 11E  | RF         |
|              |                     | 18   | 6H   | RF         |

# 71-11-56

 ILLUSTRATED PARTS LIST  
 01.1 Page 1016X  
 Nov 01/04

| PART NUMBER  | AIRLINE<br>PART NO. | FIG. | ITEM | TTL<br>REQ |
|--------------|---------------------|------|------|------------|
| 315T4013-175 |                     | 1    | 11F  | RF         |
|              |                     | 18   | 6J   | RF         |
| 315T4013-176 |                     | 1    | 6J   | RF         |
|              |                     | 18   | 3K   | RF         |
| 315T4013-177 |                     | 1    | 2L   | RF         |
|              |                     | 18   | 1L   | RF         |
| 315T4013-178 |                     | 1    | 6K   | RF         |
|              |                     | 18   | 3L   | RF         |
| 315T4013-179 |                     | 1    | 2M   | RF         |
|              |                     | 18   | 1M   | RF         |
| 315T4013-18  |                     | 1    | 746  | 1          |
|              |                     | 18   | 726  | 1          |
| 315T4013-180 |                     | 1    | 16J  | RF         |
|              |                     | 18   | 9K   | RF         |
| 315T4013-181 |                     | 1    | 11G  | RF         |
|              |                     | 18   | 6K   | RF         |
| 315T4013-182 |                     | 1    | 16K  | RF         |
|              |                     | 18   | 9L   | RF         |
| 315T4013-183 |                     | 1    | 11H  | RF         |
| 315T4013-183 |                     | 18   | 6L   | RF         |
| 315T4013-185 |                     | 1    | 2N   | RF         |
|              |                     | 18   | 1N   | RF         |
| 315T4013-186 |                     | 1    | 6L   | RF         |
|              |                     | 18   | 3M   | RF         |
| 315T4013-187 |                     | 1    | 11J  | RF         |
|              |                     | 18   | 6M   | RF         |
| 315T4013-188 |                     | 1    | 16L  | RF         |
|              |                     | 18   | 9M   | RF         |
| 315T4013-19  |                     | 1    | 748  | 1          |
|              |                     | 18   | 729  | 1          |
| 315T4013-20  |                     | 1    | 750  | 1          |
|              |                     | 18   | 732  | 1          |
| 315T4013-29  |                     | 1    | 1E   | RF         |
| 315T4013-30  |                     | 1    | 5E   | RF         |
| 315T4013-31  |                     | 1    | 10E  | RF         |

**71-11-56**

ILLUSTRATED PARTS LIST  
01.1 Page 1016Y  
Nov 01/04

| PART NUMBER   | AIRLINE<br>PART NO. | FIG. | ITEM | TTL<br>REQ |
|---------------|---------------------|------|------|------------|
| 315T4013-32   |                     | 1    | 15E  | RF         |
| 315T4013-33   |                     | 1    | 1F   | RF         |
| 315T4013-34   |                     | 1    | 5F   | RF         |
| 315T4013-35   |                     | 1    | 10F  | RF         |
| 315T4013-36   |                     | 1    | 15F  | RF         |
| 315T4013-37   |                     | 1    | 1D   | RF         |
| 315T4013-37,  |                     | 5    | 519  | 1          |
|               |                     | 5    | 521  | 1          |
| 315T4013-38   |                     | 1    | 5D   | RF         |
|               |                     | 5    | 519  | 1          |
|               |                     | 5    | 521  | 1          |
| 315T4013-45   |                     | 1    | 1G   | RF         |
| 315T4013-46   |                     | 1    | 5G   | RF         |
| 315T4013-47   |                     | 1    | 10G  | RF         |
| 315T4013-48   |                     | 1    | 15G  | RF         |
| 315T4013-5003 |                     | 1    | 860A | 1          |
|               |                     | 16   | 1A   | 1          |
| 315T4013-5004 |                     | 1    | 860B | 1          |
|               |                     | 16   | 1B   | 1          |
| 315T4013-5005 |                     | 1    | 862A | 1          |
|               |                     | 16   | 5    | 1          |
| 315T4013-5006 |                     | 1    | 862B | 1          |
|               |                     | 16   | 5A   | 1          |
| 315T4013-5007 |                     | 1    | 860C | 1          |
|               |                     | 16   | 1C   | 1          |
| 315T4013-5008 |                     | 1    | 860D | 1          |
|               |                     | 16   | 1D   | 1          |
| 315T4013-5009 |                     | 1    | 862C | 1          |
|               |                     | 16   | 5B   | 1          |
| 315T4013-5010 |                     | 1    | 862D | 1          |
|               |                     | 16   | 5C   | 1          |
| 315T4013-5011 |                     | 1    | 860H | 1          |
|               |                     | 16   | 1H   | 1          |
| 315T4013-5012 |                     | 1    | 860J | 1          |
|               |                     | 16   | 1J   | 1          |

# 71-11-56

 ILLUSTRATED PARTS LIST  
 01.1 Page 1016Z  
 Nov 01/04



| PART NUMBER   | AIRLINE<br>PART NO. | FIG. | ITEM | TTL<br>REQ |
|---------------|---------------------|------|------|------------|
| 315T4013-5013 |                     | 1    | 862H | 1          |
|               |                     | 16   | 5G   | 1          |
| 315T4013-5014 |                     | 1    | 862J | 1          |
|               |                     | 16   | 5H   | 1          |
| 315T4013-5015 |                     | 1    | 860E | 1          |
|               |                     | 16   | 1E   | 1          |
| 315T4013-5016 |                     | 1    | 862E | 1          |
|               |                     | 16   | 5D   | 1          |
| 315T4013-5017 |                     | 1    | 860F | 1          |
|               |                     | 16   | 1F   | 1          |
| 315T4013-5018 |                     | 1    | 862F | 1          |
|               |                     | 16   | 5E   | 1          |
| 315T4013-5019 |                     | 1    | 860G | 1          |
|               |                     | 16   | 1G   | 1          |
| 315T4013-5020 |                     | 1    | 862G | 1          |
|               |                     | 16   | 5F   | 1          |
| 315T4013-5023 |                     | 1    | 860K | 1          |
|               |                     | 16   | 1K   | 1          |
| 315T4013-5024 |                     | 1    | 862K | 1          |
|               |                     | 16   | 5J   | 1          |
| 315T4013-5025 |                     | 1    | 860L | 1          |
|               |                     | 16   | 1L   | 1          |
| 315T4013-5026 |                     | 1    | 862L | 1          |
|               |                     | 16   | 5K   | 1          |
| 315T4013-5027 |                     | 1    | 860M | 1          |
|               |                     | 16   | 1M   | 1          |
| 315T4013-5028 |                     | 1    | 862M | 1          |
|               |                     | 16   | 5L   | 1          |
| 315T4013-5029 |                     | 1    | 860N | 1          |
|               |                     | 16   | 1N   | 1          |
| 315T4013-5030 |                     | 1    | 862N | 1          |
|               |                     | 16   | 5M   | 1          |
| 315T4013-5031 |                     | 1    | 860P | 1          |
|               |                     | 16   | 1P   | 1          |
| 315T4013-5032 |                     | 1    | 862P | 1          |
|               |                     | 16   | 5N   | 1          |

**71-11-56**

ILLUSTRATED PARTS LIST  
01.1 Page 1017  
Nov 01/04

| PART NUMBER   | AIRLINE<br>PART NO. | FIG. | ITEM | TTL<br>REQ |
|---------------|---------------------|------|------|------------|
| 315T4013-5034 |                     | 1    | 862X | 1          |
|               |                     | 16   | 5V   | 1          |
| 315T4013-5036 |                     | 1    | 862Q | 1          |
| 315T4013-5036 |                     | 16   | 5P   | 1          |
| 315T4013-5039 |                     | 1    | 860Q | 1          |
|               |                     | 16   | 1Q   | 1          |
| 315T4013-5040 |                     | 1    | 862S | 1          |
|               |                     | 16   | 5Q   | 1          |
| 315T4013-5049 |                     | 1    | 862T | 1          |
|               |                     | 16   | 5R   | 1          |
| 315T4013-5050 |                     | 1    | 862U | 1          |
|               |                     | 16   | 5S   | 1          |
| 315T4013-5051 |                     | 1    | 860R | 1          |
|               |                     | 16   | 1R   | 1          |
| 315T4013-5052 |                     | 1    | 862V | 1          |
|               |                     | 16   | 5T   | 1          |
| 315T4013-5053 |                     | 1    | 860S | 1          |
|               |                     | 16   | 1S   | 1          |
| 315T4013-5054 |                     | 1    | 862W | 1          |
|               |                     | 16   | 5U   | 1          |
| 315T4013-5061 |                     | 1    | 860T | 1          |
|               |                     | 16   | 1T   | 1          |
| 315T4013-5062 |                     | 1    | 862Y | 1          |
|               |                     | 16   | 5W   | 1          |
| 315T4013-5063 |                     | 1    | 860U | 1          |
|               |                     | 16   | 1U   | 1          |
| 315T4013-5064 |                     | 1    | 862Z | 1          |
|               |                     | 16   | 5X   | 1          |
| 315T4013-5065 |                     | 1    | 860V | 1          |
|               |                     | 16   | 1V   | 1          |
| 315T4013-5067 |                     | 1    | 860W | 1          |
|               |                     | 16   | 1W   | 1          |
| 315T4013-5068 |                     | 1    | 863B | 1          |
|               |                     | 16   | 5Y   | 1          |
| 315T4013-5069 |                     | 1    | 860X | 1          |
|               |                     | 16   | 1X   | 1          |
| 315T4013-5070 |                     | 1    | 863C | 1          |
|               |                     | 16   | 5Z   | 1          |
| 315T4013-5071 |                     | 1    | 860Y | 1          |
|               |                     | 16   | 1Y   | 1          |
| 315T4013-5072 |                     | 1    | 863D | 1          |
|               |                     | 16   | 6    | 1          |

# 71-11-56

 ILLUSTRATED PARTS LIST  
 01.1 Page 1018  
 Nov 01/04

| PART NUMBER   | AIRLINE<br>PART NO. | FIG. | ITEM | TTL<br>REQ |
|---------------|---------------------|------|------|------------|
| 315T4013-5073 |                     | 1    | 861G | 1          |
|               |                     | 16   | 2G   | 1          |
| 315T4013-5074 |                     | 1    | 863J | 1          |
|               |                     | 16   | 6E   | 1          |
| 315T4013-5075 |                     | 1    | 860Z | 1          |
| 315T4013-5076 |                     | 1    | 863E | 1          |
| 315T4013-5076 |                     | 16   | 6A   | 1          |
| 315T4013-5077 |                     | 1    | 861K | 1          |
|               |                     | 16   | 2K   | 1          |
| 315T4013-5078 |                     | 1    | 863M | 1          |
|               |                     | 16   | 6H   | 1          |
| 315T4013-5079 |                     | 1    | 861H | 1          |
|               |                     | 16   | 2H   | 1          |
| 315T4013-5080 |                     | 1    | 863K | 1          |
|               |                     | 16   | 6F   | 1          |
| 315T4013-5081 |                     | 1    | 861L | 1          |
|               |                     | 16   | 2L   | 1          |
| 315T4013-5082 |                     | 1    | 863N | 1          |
|               |                     | 16   | 6J   | 1          |
| 315T4013-5083 |                     | 1    | 861  | 1          |
|               |                     | 16   | 2    | 1          |
| 315T4013-5084 |                     | 1    | 863F | 1          |
|               |                     | 16   | 6B   | 1          |
| 315T4013-5085 |                     | 1    | 861A | 1          |
|               |                     | 16   | 2A   | 1          |
| 315T4013-5086 |                     | 1    | 863G | 1          |
|               |                     | 16   | 6C   | 1          |
| 315T4013-5087 |                     | 1    | 861B | 1          |
|               |                     | 16   | 2B   | 1          |
| 315T4013-5088 |                     | 1    | 863H | 1          |
|               |                     | 16   | 6D   | 1          |
| 315T4013-5089 |                     | 1    | 861C | 1          |
|               |                     | 16   | 2C   | 1          |
| 315T4013-5090 |                     | 1    | 863L | 1          |
|               |                     | 16   | 6G   | 1          |
| 315T4013-5091 |                     | 1    | 861D | 1          |
|               |                     | 16   | 2D   | 1          |
| 315T4013-5092 |                     | 1    | 863Q | 1          |
|               |                     | 16   | 6L   | 1          |
| 315T4013-5093 |                     | 1    | 861J | 1          |
|               |                     | 16   | 2J   | 1          |
| 315T4013-5094 |                     | 1    | 863U | 1          |
|               |                     | 16   | 6M   | 1          |
| 315T4013-5095 |                     | 1    | 861E | 1          |
|               |                     | 16   | 2E   | 1          |
| 315T4013-5096 |                     | 1    | 863P | 1          |
|               |                     | 16   | 6K   | 1          |

**71-11-56**

ILLUSTRATED PARTS LIST  
01.1 Page 1018A  
Nov 01/04

| PART NUMBER   | AIRLINE<br>PART NO. | FIG. | ITEM | TTL<br>REQ |
|---------------|---------------------|------|------|------------|
| 315T4013-5097 |                     | 1    | 861F | 1          |
|               |                     | 16   | 2F   | 1          |
| 315T4013-5098 |                     | 1    | 863V | 1          |
|               |                     | 16   | 6N   | 1          |
| 315T4013-5099 |                     | 1    | 861M | 1          |
|               |                     | 16   | 2M   | 1          |
| 315T4013-5100 |                     | 1    | 863W | 1          |
|               |                     | 16   | 6P   | 1          |
| 315T4013-5101 |                     | 16   | 2N   | 1          |
| 315T4013-5102 |                     | 16   | 6Q   | 1          |
| 315T4013-5103 |                     | 16   | 2P   | 1          |
| 315T4013-5104 |                     | 16   | 6R   | 1          |
| 315T4013-5105 |                     | 16   | 2Q   | 1          |
| 315T4013-5106 |                     | 16   | 6S   | 1          |
| 315T4013-5107 |                     | 16   | 2S   | 1          |
| 315T4013-5108 |                     | 16   | 6T   | 1          |
| 315T4013-53   |                     | 18   | 600  | 1          |
| 315T4013-54   |                     | 1    | 449  | 1          |
|               |                     | 18   | 606  | 1          |
|               |                     | 18   | 615A | 1          |
| 315T4013-55   |                     | 1    | 451  | 1          |
|               |                     | 1    | 474A | 3          |
|               |                     | 16   | 75A  | 3          |
|               |                     | 18   | 609  | 1          |
|               |                     | 18   | 615B | 1          |
|               |                     | 18   | 882A | 3          |
| 315T4013-56   |                     | 1    | 457  | 1          |
|               |                     | 18   | 612  | 1          |
| 315T4013-57   |                     | 1    | 455  | 2          |
|               |                     | 18   | 603  | 2          |
| 315T4013-58   |                     | 1    | 453  | 5          |
|               |                     | 18   | 609A | 1          |
|               |                     | 18   | 615  | 1          |
| 315T4013-59   |                     | 1    | 1J   | RF         |
| 315T4013-60   |                     | 1    | 15J  | RF         |
| 315T4013-63   |                     | 1    | 1M   | RF         |
| 315T4013-64   |                     | 1    | 5K   | RF         |
| 315T4013-65   |                     | 1    | 10K  | RF         |
| 315T4013-66   |                     | 1    | 15M  | RF         |
| 315T4013-67   |                     | 1    | 1L   | RF         |
| 315T4013-68   |                     | 1    | 5J   | RF         |
| 315T4013-69   |                     | 1    | 10J  | RF         |
| 315T4013-70   |                     | 1    | 15L  | RF         |

# 71-11-56

 ILLUSTRATED PARTS LIST  
 01.1 Page 1018B  
 Nov 01/04

| PART NUMBER   | AIRLINE<br>PART NO. | FIG. | ITEM | TTL<br>REQ |
|---------------|---------------------|------|------|------------|
| 315T4013-7003 |                     | 1    | 475A | 1          |
| 315T4013-7004 |                     | 1    | 478A | 1          |
| 315T4013-7005 |                     | 1    | 475B | 1          |
| 315T4013-7006 |                     | 1    | 478B | 1          |
| 315T4013-7009 |                     | 1    | 475C | 1          |
| 315T4013-7010 |                     | 1    | 478C | 1          |
| 315T4013-71   |                     | 1    | 1Q   | RF         |
| 315T4013-72   |                     | 1    | 5N   | RF         |
| 315T4013-73   |                     | 1    | 10N  | RF         |
| 315T4013-74   |                     | 1    | 15Q  | RF         |
| 315T4013-75   |                     | 1    | 1R   | RF         |
| 315T4013-76   |                     | 1    | 5P   | RF         |
| 315T4013-77   |                     | 1    | 10P  | RF         |
| 315T4013-78   |                     | 1    | 15R  | RF         |
| 315T4013-79   |                     | 1    | 1T   | RF         |
| 315T4013-80   |                     | 1    | 5R   | RF         |
| 315T4013-81   |                     | 1    | 10R  | RF         |
| 315T4013-82   |                     | 1    | 15T  | RF         |
| 315T4013-83   |                     | 1    | 1U   | RF         |
| 315T4013-84   |                     | 1    | 5S   | RF         |
| 315T4013-85   |                     | 1    | 10S  | RF         |
| 315T4013-86   |                     | 1    | 15U  | RF         |
| 315T4013-87   |                     | 1    | 474  | 3          |
|               |                     | 16   | 75   | 3          |
|               |                     | 18   | 606A | 1          |
|               |                     | 18   | 882  | 3          |
| 315T4013-9    |                     | 1    | 563  | 1          |
|               |                     | 18   | 891  | 1          |
| 315T4013-93   |                     | 1    | 474B | 3          |
|               |                     | 16   | 75B  | 3          |
|               |                     | 18   | 609B | 1          |
|               |                     | 18   | 882B | 3          |

**71-11-56**

ILLUSTRATED PARTS LIST  
01.1 Page 1018C  
Nov 01/04

| PART NUMBER | AIRLINE<br>PART NO. | FIG. | ITEM | TTL<br>REQ |
|-------------|---------------------|------|------|------------|
| 315T4013-94 |                     | 18   | 606B | 1          |
|             |                     | 18   | 615C | 1          |
| 315T4013-95 |                     | 18   | 612A | 1          |
| 315T4013-97 |                     | 18   | 603A | 2          |
| 315T4013-98 |                     | 18   | 603B | 2          |
| 315T4013-99 |                     | 1    | 1V   | RF         |
| 315T4100-1  |                     | 1    | 544  | 1          |
| 315T4100-10 |                     | 1    | 545  | 1          |
| 315T4100-11 |                     | 1    | 891B | 1          |
|             |                     | 20   | 35   | 1          |
|             |                     | 20   | 105  | 1          |
| 315T4100-12 |                     | 1    | 892B | 1          |
|             |                     | 20   | 40   | 1          |
| 315T4100-12 |                     | 20   | 110  | 1          |
| 315T4100-3  |                     | 1    | 545G | 1          |
|             |                     | 1    | 885  | 1          |
|             |                     | 20   | 15   | 1          |
|             |                     | 20   | 85   | 1          |
| 315T4100-4  |                     | 1    | 545K | 1          |
|             |                     | 1    | 886  | 1          |
|             |                     | 20   | 20   | 1          |
|             |                     | 20   | 90   | 1          |
| 315T4100-5  |                     | 1    | 545M | 1          |
|             |                     | 1    | 888  | 1          |
|             |                     | 20   | 25   | 1          |
|             |                     | 20   | 95   | 1          |
| 315T4100-7  |                     | 1    | 545R | 1          |
|             |                     | 1    | 891  | 1          |
| 315T4100-8  |                     | 1    | 545T | 1          |
|             |                     | 1    | 892  | 1          |
| 315T4100-9  |                     | 1    | 545P | 1          |
|             |                     | 1    | 889  | 1          |
|             |                     | 20   | 30   | 1          |
|             |                     | 20   | 100  | 1          |

# 71-11-56

 ILLUSTRATED PARTS LIST  
 01.1 Page 1018D  
 Nov 01/04

| PART NUMBER | AIRLINE<br>PART NO. | FIG. | ITEM | TTL<br>REQ |
|-------------|---------------------|------|------|------------|
| 315T4102-1  |                     | 1    | 441  | 1          |
|             |                     | 12   | 1    | RF         |
|             |                     | 18   | 312  | 1          |
| 315T4102-10 |                     | 12   | 1C   | RF         |
| 315T4102-3  |                     | 12   | 30   | 4          |
| 315T4102-4  |                     | 12   | 55   | 4          |
| 315T4102-7  |                     | 12   | 25A  | 1          |
| 315T4102-8  |                     | 12   | 1B   | RF         |
| 315T4131-1  |                     | 1    | 788A | 2          |
|             |                     | 18   | 765  | 2          |
| 315T4131-2  |                     | 1    | 788  | 2          |
|             |                     | 18   | 765A | 2          |
| 315T4131-3  |                     | 1    | 794B | 2          |
|             |                     | 18   | 774  | 2          |
| 315T4131-4  |                     | 1    | 794A | 2          |
|             |                     | 18   | 774A | 2          |
| 315T4145-1  |                     | 1    | 546A | 1          |
| 315T4203-10 |                     | 13   | 110D | 1          |
| 315T4203-3  |                     | 13   | 105  | 1          |
| 315T4203-4  |                     | 13   | 110  | 1          |
| 315T4203-7  |                     | 13   | 105A | 1          |
| 315T4203-8  |                     | 13   | 110A | 1          |
| 315T4203-9  |                     | 13   | 105D | 1          |
| 315T4210-1  |                     | 1    | 20   | 1          |
|             |                     | 18   | 36   | 1          |
| 315T4210-10 |                     | 1    | 32   | 2          |
|             |                     | 1    | 77   | 8          |
|             |                     | 1    | 77A  | 2          |
|             |                     | 1    | 77B  | 10         |
|             |                     | 1    | 128  | 6          |
|             |                     | 1    | 128A | 2          |
|             |                     | 1    | 128B | 4          |
|             |                     | 1    | 158  | 2          |
|             |                     | 1    | 191  | 4          |
|             |                     | 1    | 220  | 4          |
|             |                     | 1    | 256  | 4          |
|             |                     | 18   | 48   | 2          |
|             |                     | 18   | 93   | 10         |
|             |                     | 18   | 93A  | 8          |
|             |                     | 18   | 93B  | 2          |
|             |                     | 18   | 135  | 4          |
|             |                     | 18   | 135A | 6          |
| 18          | 135B                | 2    |      |            |
| 18          | 165                 | 2    |      |            |
| 18          | 198                 | 4    |      |            |
| 18          | 237                 | 4    |      |            |
| 18          | 276                 | 4    |      |            |

**71-11-56**

ILLUSTRATED PARTS LIST  
01.1 Page 1018E  
Nov 01/04

| PART NUMBER | AIRLINE<br>PART NO. | FIG.       | ITEM | TTL<br>REQ |    |   |
|-------------|---------------------|------------|------|------------|----|---|
| 315T4210-11 |                     | 1          | 44A  | 1          |    |   |
|             |                     | 1          | 98C  | 4          |    |   |
|             |                     | 1          | 98D  | 1          |    |   |
|             |                     | 1          | 98E  | 5          |    |   |
|             |                     | 1          | 140B | 3          |    |   |
|             |                     | 1          | 140C | 1          |    |   |
| 315T4210-11 |                     | 1          | 140E | 2          |    |   |
|             |                     | 1          | 170A | 1          |    |   |
|             |                     | 18         | 60A  | 1          |    |   |
|             |                     | 18         | 105C | 5          |    |   |
|             |                     | 18         | 105D | 4          |    |   |
|             |                     | 18         | 105E | 1          |    |   |
|             |                     | 18         | 147C | 2          |    |   |
|             |                     | 18         | 147D | 3          |    |   |
|             |                     | 18         | 147E | 1          |    |   |
|             |                     | 18         | 177A | 1          |    |   |
|             |                     | 315T4210-2 |      | 1          | 23 | 1 |
|             |                     |            |      | 18         | 39 | 1 |
| 315T4210-3  |                     | 1          | 53   | 4          |    |   |
|             |                     | 1          | 56   | 4          |    |   |
|             |                     | 1          | 59   | 1          |    |   |
|             |                     | 1          | 62   | 1          |    |   |
|             |                     | 1          | 63   | 1          |    |   |
|             |                     | 1          | 64   | 1          |    |   |
|             |                     | 18         | 69   | 4          |    |   |
|             |                     | 18         | 72   | 4          |    |   |
|             |                     | 18         | 75   | 1          |    |   |
|             |                     | 18         | 78   | 1          |    |   |
|             |                     | 18         | 81   | 1          |    |   |
|             |                     | 18         | 84   | 1          |    |   |
| 315T4210-5  |                     | 1          | 47   | 1          |    |   |
|             |                     | 18         | 63   | 1          |    |   |
| 315T4210-6  |                     | 1          | 50   | 1          |    |   |
|             |                     | 18         | 66   | 1          |    |   |
| 315T4210-7  |                     | 1          | 101  | 4          |    |   |
|             |                     | 1          | 101A | 1          |    |   |
|             |                     | 1          | 101B | 5          |    |   |
|             |                     | 18         | 108  | 5          |    |   |
|             |                     | 18         | 108A | 4          |    |   |
|             |                     | 18         | 108B | 1          |    |   |

# 71-11-56

 ILLUSTRATED PARTS LIST  
 01.1 Page 1018F  
 Nov 01/04



| PART NUMBER | AIRLINE<br>PART NO. | FIG. | ITEM | TTL<br>REQ |    |
|-------------|---------------------|------|------|------------|----|
| 315T4210-9  |                     | 1    | 38   | 2          |    |
|             |                     | 1    | 89   | 8          |    |
|             |                     | 1    | 89A  | 2          |    |
|             |                     | 1    | 89B  | 10         |    |
|             |                     | 1    | 134  | 6          |    |
|             |                     | 1    | 134A | 2          |    |
|             |                     | 1    | 134B | 4          |    |
|             |                     | 1    | 164  | 2          |    |
|             |                     | 1    | 196  | 4          |    |
|             |                     | 1    | 226  | 4          |    |
|             |                     | 1    | 262  | 4          |    |
|             | 315T4210-9          |      | 18   | 54         | 2  |
|             |                     |      | 18   | 99         | 10 |
|             |                     |      | 18   | 99A        | 8  |
|             |                     | 18   | 99B  | 2          |    |
|             |                     | 18   | 141  | 4          |    |
|             |                     | 18   | 141A | 6          |    |
|             |                     | 18   | 141B | 2          |    |
|             |                     | 18   | 171  | 2          |    |
|             |                     | 18   | 204  | 4          |    |
|             |                     | 18   | 243  | 4          |    |
|             |                     | 18   | 282  | 4          |    |
| 315T4212-1  |                     |      | 1    | 146        | 1  |
|             |                     |      | 18   | 153        | 1  |
| 315T4212-2  |                     |      | 1    | 149A       | 1  |
|             |                     | 18   | 156  | 1          |    |
| 315T4212-3  |                     | 1    | 104  | 2          |    |
|             |                     | 1    | 113  | 1          |    |
|             |                     | 1    | 116  | 1          |    |
|             |                     | 18   | 111  | 2          |    |
|             |                     | 18   | 120  | 1          |    |
|             |                     | 18   | 123  | 1          |    |

**71-11-56**

ILLUSTRATED PARTS LIST  
01.1 Page 1018G  
Nov 01/04

| PART NUMBER | AIRLINE<br>PART NO. | FIG.       | ITEM | TTL<br>REQ |      |   |
|-------------|---------------------|------------|------|------------|------|---|
| 315T4212-4  |                     | 1          | 107  | 1          |      |   |
|             |                     | 1          | 110  | 2          |      |   |
|             |                     | 1          | 119  | 1          |      |   |
|             |                     | 18         | 114  | 1          |      |   |
|             |                     | 18         | 117  | 2          |      |   |
|             |                     | 18         | 126  | 1          |      |   |
|             |                     | 315T4212-5 |      | 1          | 173  | 1 |
|             |                     |            |      | 18         | 180  | 1 |
| 315T4212-6  |                     | 1          | 176  | 1          |      |   |
|             |                     | 18         | 183  | 1          |      |   |
| 315T4212-7  |                     | 1          | 143  | 2          |      |   |
|             |                     | 1          | 143A | 1          |      |   |
|             |                     | 18         | 150  | 2          |      |   |
|             |                     | 18         | 150A | 1          |      |   |
|             |                     | 315T4212-8 |      | 1          | 143B | 2 |
| 1           | 143C                |            |      | 1          |      |   |
| 18          | 150B                |            |      | 2          |      |   |
| 18          | 150C                |            |      | 1          |      |   |
| 315T4214-1  |                     | 1          | 247  | 1          |      |   |
|             |                     | 18         | 228  | 1          |      |   |
| 315T4214-2  |                     | 1          | 244  | 1          |      |   |
|             |                     | 18         | 225  | 1          |      |   |
| 315T4214-3  |                     | 1          | 238  | 1          |      |   |
|             |                     | 18         | 219  | 1          |      |   |
| 315T4214-4  |                     | 1          | 241  | 1          |      |   |
|             |                     | 18         | 222  | 1          |      |   |
| 315T4214-5  |                     | 1          | 280  | 1          |      |   |
|             |                     | 18         | 261  | 1          |      |   |
| 315T4214-6  |                     | 1          | 280A | 1          |      |   |
|             |                     | 18         | 258  | 1          |      |   |
| 315T4214-7  |                     | 1          | 271  | 1          |      |   |
|             |                     | 18         | 252  | 1          |      |   |
| 315T4214-8  |                     | 1          | 271A | 1          |      |   |
|             |                     | 18         | 255  | 1          |      |   |
| 315T4216-3  |                     | 13         | 115  | 1          |      |   |
| 315T4216-4  |                     | 13         | 120  | 1          |      |   |
| 315T4216-5  |                     | 13         | 115A | 1          |      |   |

# 71-11-56

 ILLUSTRATED PARTS LIST  
 01.1 Page 1018H  
 Nov 01/04



**BOEING**  
COMPONENT  
MAINTENANCE MANUAL

| PART NUMBER | AIRLINE<br>PART NO. | FIG. | ITEM | TTL<br>REQ |
|-------------|---------------------|------|------|------------|
| 315T4216-6  |                     | 13   | 120A | 1          |
| 315T4259-1  |                     | 1    | 179  | 2          |
|             |                     | 16   | 10   | 2          |
| 315T4259-10 |                     | 1    | 182F | 2          |
|             |                     | 16   | 15C  | 2          |
|             |                     | 18   | 189  | 2          |
| 315T4259-11 |                     | 1    | 205B | 2          |
|             |                     | 18   | 213  | 2          |
| 315T4259-12 |                     | 1    | 206A | 2          |
|             |                     | 18   | 216  | 2          |
| 315T4259-2  |                     | 1    | 182  | 2          |
|             |                     | 16   | 15   | 2          |
| 315T4259-3  |                     | 1    | 205  | 2          |
|             |                     | 18   | 213A | 2          |
| 315T4259-4  |                     | 1    | 206  | 2          |
|             |                     | 18   | 216A | 2          |
| 315T4259-7  |                     | 1    | 179C | 2          |
|             |                     | 16   | 10A  | 2          |
|             |                     | 18   | 186A | 2          |
| 315T4259-8  |                     | 1    | 182C | 2          |
|             |                     | 16   | 15A  | 2          |
|             |                     | 18   | 189A | 2          |
| 315T4259-9  |                     | 1    | 179F | 2          |
|             |                     | 16   | 10C  | 2          |
|             |                     | 18   | 186  | 2          |
| 315T4262-1  |                     | 1    | 208  | 2          |
| 315T4262-1  |                     | 1    | 211  | 2          |
|             |                     | 18   | 264  | 2          |
|             |                     | 18   | 267  | 2          |
| 315T4262-2  |                     | 1    | 235  | 2          |
|             |                     | 18   | 291  | 2          |
| 315T4300-1  |                     | 1    | 568  | 1          |
|             |                     | 5    | 1    | RF         |
| 315T4300-10 |                     | 1    | 433A | 1          |
|             |                     | 5    | 3B   | RF         |
| 315T4300-11 |                     | 1    | 430B | 1          |
|             |                     | 5    | 1C   | RF         |
|             |                     | 16   | 50   | 1          |
| 315T4300-12 |                     | 1    | 433B | 1          |
|             |                     | 1    | 867N | 1          |
|             |                     | 5    | 3C   | RF         |
|             |                     | 16   | 55   | 1          |
| 315T4300-19 |                     | 1    | 430E | 1          |
|             |                     | 5    | 1F   | RF         |
|             |                     | 16   | 50A  | 1          |

71-11-56

ILLUSTRATED PARTS LIST  
01.1 Page 1018I  
Nov 01/04

| PART NUMBER | AIRLINE<br>PART NO. | FIG. | ITEM | TTL<br>REQ |
|-------------|---------------------|------|------|------------|
| 315T4300-2  |                     | 1    | 570  | 1          |
|             |                     | 5    | 3    | RF         |
| 315T4300-20 |                     | 1    | 433E | 1          |
|             |                     | 5    | 3F   | RF         |
|             |                     | 16   | 55A  | 1          |
| 315T4300-21 |                     | 5    | 440B | 1          |
| 315T4300-22 |                     | 5    | 445B | 1          |
| 315T4300-23 |                     | 5    | 565  | 1          |
| 315T4300-25 |                     | 5    | 1J   | RF         |
|             |                     | 16   | 50B  | 1          |
| 315T4300-26 |                     | 5    | 3J   | RF         |
|             |                     | 16   | 55B  | 1          |
| 315T4300-27 |                     | 5    | 1K   | RF         |
|             |                     | 18   | 642  | 1          |
| 315T4300-28 |                     | 5    | 3K   | RF         |
|             |                     | 18   | 645  | 1          |
| 315T4300-3  |                     | 5    | 165  | 1          |
| 315T4300-31 |                     | 5    | 1L   | RF         |
| 315T4300-32 |                     | 5    | 3L   | RF         |
| 315T4300-33 |                     | 5    | 1M   | RF         |
| 315T4300-34 |                     | 5    | 3M   | RF         |
| 315T4300-35 |                     | 5    | 1N   | RF         |
| 315T4300-36 |                     | 5    | 3N   | RF         |
| 315T4300-37 |                     | 5    | 1P   | RF         |
| 315T4300-38 |                     | 5    | 3P   | RF         |
| 315T4300-39 |                     | 5    | 1Q   | RF         |
| 315T4300-4  |                     | 5    | 170  | 1          |
| 315T4300-40 |                     | 5    | 3Q   | RF         |
| 315T4300-41 |                     | 5    | 1R   | RF         |
| 315T4300-42 |                     | 5    | 3R   | RF         |
| 315T4300-43 |                     | 5    | 1S   | RF         |

# 71-11-56

 ILLUSTRATED PARTS LIST  
 01.1 Page 1018J  
 Nov 01/04

| PART NUMBER | AIRLINE<br>PART NO. | FIG. | ITEM | TTL<br>REQ |
|-------------|---------------------|------|------|------------|
| 315T4300-44 |                     | 5    | 3S   | RF         |
| 315T4300-45 |                     | 5    | 1T   | RF         |
| 315T4300-46 |                     | 5    | 3T   | RF         |
| 315T4300-47 |                     | 5    | 1U   | RF         |
| 315T4300-48 |                     | 5    | 3U   | RF         |
| 315T4300-49 |                     | 5    | 1V   | RF         |
| 315T4300-5  |                     | 1    | 430  | 1          |
|             |                     | 5    | 1A   | RF         |
| 315T4300-50 |                     | 5    | 3V   | RF         |
| 315T4300-51 |                     | 5    | 1W   | RF         |
| 315T4300-52 |                     | 5    | 3W   | RF         |
| 315T4300-53 |                     | 5    | 1X   | RF         |
| 315T4300-54 |                     | 5    | 3X   | RF         |
| 315T4300-55 |                     | 5    | 1Y   | RF         |
| 315T4300-56 |                     | 5    | 3Y   | RF         |
| 315T4300-6  |                     | 1    | 433  | 1          |
|             |                     | 5    | 3A   | RF         |
| 315T4300-9  |                     | 1    | 430A | 1          |
|             |                     | 5    | 1B   | RF         |
| 315T4301-15 |                     | 5    | 220A | 1          |
| 315T4301-16 |                     | 5    | 225A | 1          |
| 315T4301-43 |                     | 5    | 220B | 1          |
| 315T4301-44 |                     | 5    | 225B | 1          |
| 315T4301-47 |                     | 5    | 220D | 1          |
| 315T4301-48 |                     | 5    | 225D | 1          |
| 315T4301-59 |                     | 5    | 220E | 1          |
| 315T4301-60 |                     | 5    | 225E | 1          |
| 315T4301-63 |                     | 5    | 220G | 1          |
| 315T4301-64 |                     | 5    | 225G | 1          |
| 315T4301-65 |                     | 5    | 220H | 1          |
| 315T4301-66 |                     | 5    | 225H | 1          |
| 315T4301-67 |                     | 5    | 220J | 1          |
| 315T4301-68 |                     | 5    | 225J | 1          |
| 315T4301-69 |                     | 5    | 220K | 1          |
| 315T4301-70 |                     | 5    | 225K | 1          |

71-11-56

ILLUSTRATED PARTS LIST  
01.1 Page 1018K  
Nov 01/04

| PART NUMBER | AIRLINE<br>PART NO. | FIG. | ITEM | TTL<br>REQ |
|-------------|---------------------|------|------|------------|
| 315T4301-71 |                     | 5    | 220L | 1          |
| 315T4301-72 |                     | 5    | 225L | 1          |
| 315T4301-73 |                     | 5    | 220M | 1          |
| 315T4301-74 |                     | 5    | 225M | 1          |
| 315T4303-1  |                     | 5    | 175  | 1          |
| 315T4303-13 |                     | 5    | 175C | 1          |
| 315T4303-14 |                     | 5    | 180C | 1          |
| 315T4303-15 |                     | 5    | 200C | 1          |
| 315T4303-16 |                     | 5    | 205C | 1          |
| 315T4303-17 |                     | 5    | 175D | 1          |
| 315T4303-18 |                     | 5    | 180D | 1          |
| 315T4303-19 |                     | 5    | 200D | 1          |
| 315T4303-2  |                     | 5    | 180  | 1          |
| 315T4303-20 |                     | 5    | 205D | 1          |
| 315T4303-21 |                     | 5    | 200E | 1          |
| 315T4303-22 |                     | 5    | 205E | 1          |
| 315T4303-23 |                     | 5    | 175E | 1          |
| 315T4303-24 |                     | 5    | 180E | 1          |
| 315T4303-25 |                     | 5    | 175G | 1          |
| 315T4303-27 |                     | 5    | 200G | 1          |
| 315T4303-29 |                     | 5    | 175H | 1          |
| 315T4303-3  |                     | 5    | 200  | 1          |
| 315T4303-30 |                     | 5    | 180G | 1          |
| 315T4303-31 |                     | 5    | 200H | 1          |
| 315T4303-32 |                     | 5    | 205G | 1          |
| 315T4303-33 |                     | 5    | 175K | 1          |
| 315T4303-34 |                     | 5    | 180J | 1          |
| 315T4303-4  |                     | 5    | 205  | 1          |
| 315T4303-5  |                     | 5    | 175A | 1          |
| 315T4303-6  |                     | 5    | 180A | 1          |
| 315T4303-7  |                     | 5    | 200A | 1          |
| 315T4303-8  |                     | 5    | 205A | 1          |
| 315T4305-1  |                     | 5    | 175F | 1          |
| 315T4305-11 |                     | 5    | 175L | 1          |
| 315T4305-12 |                     | 5    | 180K | 1          |
| 315T4305-13 |                     | 5    | 200K | 1          |
| 315T4305-14 |                     | 5    | 205J | 1          |
| 315T4305-15 |                     | 5    | 175M | 1          |
| 315T4305-16 |                     | 5    | 180L | 1          |
| 315T4305-17 |                     | 5    | 200L | 1          |

# 71-11-56

 ILLUSTRATED PARTS LIST  
 01.1 Page 1018L  
 Nov 01/04



**BOEING**  
COMPONENT  
MAINTENANCE MANUAL

| PART NUMBER  | AIRLINE<br>PART NO. | FIG. | ITEM | TTL<br>REQ |
|--------------|---------------------|------|------|------------|
| 315T4305-18  |                     | 5    | 205K | 1          |
| 315T4305-2   |                     | 5    | 180F | 1          |
| 315T4305-3   |                     | 5    | 200F | 1          |
| 315T4305-4   |                     | 5    | 205F | 1          |
| 315T4305-5   |                     | 5    | 175J | 1          |
| 315T4305-6   |                     | 5    | 180H | 1          |
|              |                     | 5    | 205H | 1          |
| 315T4305-9   |                     | 5    | 200J | 1          |
| 315T4310-1   |                     | 5    | 482  | 1          |
| 315T4310-2   |                     | 5    | 484  | 1          |
| 315T4310-3   |                     | 5    | 488  | 1          |
| 315T4310-4   |                     | 5    | 492  | 1          |
| 315T4400-1   |                     | 1    | 772  | 1          |
|              |                     | 7    | 1    | RF         |
| 315T4400-100 |                     | 7    | 225A | 1          |
| 315T4400-102 |                     | 7    | 825B | 1          |
| 315T4400-103 |                     | 7    | 812C | 1          |
| 315T4400-104 |                     | 7    | 815B | 1          |
| 315T4400-105 |                     | 7    | 261  | 1          |
| 315T4400-106 |                     | 7    | 266  | 1          |
| 315T4400-107 |                     | 7    | 261A | 1          |
| 315T4400-108 |                     | 7    | 266A | 1          |
| 315T4400-109 |                     | 7    | 910B | 1          |
| 315T4400-11  |                     | 7    | 537J | 1          |
| 315T4400-110 |                     | 7    | 915B | 1          |
| 315T4400-111 |                     | 7    | 770B | 1          |
| 315T4400-112 |                     | 7    | 775B | 1          |
| 315T4400-113 |                     | 7    | 755C | 1          |
| 315T4400-115 |                     | 7    | 760C | 1          |
| 315T4400-116 |                     | 7    | 765B | 1          |
| 315T4400-117 |                     | 7    | 755D | 1          |
| 315T4400-12  |                     | 7    | 537P | 1          |
| 315T4400-121 |                     | 7    | 1B   | RF         |
|              |                     | 18   | 900  | 1          |
| 315T4400-122 |                     | 7    | 5B   | RF         |
|              |                     | 18   | 903  | 1          |
| 315T4400-123 |                     | 7    | 220C | 1          |
| 315T4400-124 |                     | 7    | 225C | 1          |
| 315T4400-128 |                     | 7    | 5C   | RF         |
| 315T4400-13  |                     | 7    | 537  | 1          |
| 315T4400-131 |                     | 7    | 1D   | RF         |
| 315T4400-132 |                     | 7    | 5D   | RF         |
| 315T4400-133 |                     | 7    | 1E   | RF         |
| 315T4400-134 |                     | 7    | 5E   | RF         |
| 315T4400-135 |                     | 7    | 1F   | RF         |
| 315T4400-136 |                     | 7    | 5F   | RF         |

71-11-56

ILLUSTRATED PARTS LIST  
01.1 Page 1018M  
Nov 01/04

| PART NUMBER  | AIRLINE<br>PART NO. | FIG. | ITEM | TTL<br>REQ |
|--------------|---------------------|------|------|------------|
| 315T4400-137 |                     | 7    | 1G   | RF         |
| 315T4400-138 |                     | 7    | 5G   | RF         |
| 315T4400-139 |                     | 7    | 1H   | RF         |
| 315T4400-14  |                     | 7    | 537E | 1          |
| 315T4400-140 |                     | 7    | 5H   | RF         |
| 315T4400-141 |                     | 7    | 1J   | RF         |
| 315T4400-142 |                     | 7    | 5J   | RF         |
| 315T4400-143 |                     | 7    | 1K   | RF         |
| 315T4400-145 |                     | 7    | 1L   | RF         |
| 315T4400-147 |                     | 7    | 1M   | RF         |
| 315T4400-149 |                     | 7    | 1N   | RF         |
| 315T4400-15  |                     | 7    | 536  | 2          |
| 315T4400-151 |                     | 7    | 1P   | RF         |
| 315T4400-153 |                     | 7    | 1Q   | RF         |
| 315T4400-17  |                     | 7    | 510  | 1          |
| 315T4400-18  |                     | 7    | 512  | 1          |
| 315T4400-19  |                     | 7    | 475  | 1          |
| 315T4400-2   |                     | 1    | 774  | 1          |
|              |                     | 7    | 5    | RF         |
| 315T4400-20  |                     | 7    | 480  | 1          |
| 315T4400-21  |                     | 7    | 502  | 1          |
| 315T4400-22  |                     | 7    | 504  | 1          |
| 315T4400-23  |                     | 7    | 506  | 1          |
| 315T4400-24  |                     | 7    | 508  | 1          |
| 315T4400-27  |                     | 7    | 910  | 1          |
| 315T4400-28  |                     | 7    | 915  | 1          |
| 315T4400-29  |                     | 7    | 900  | 1          |
| 315T4400-30  |                     | 7    | 905  | 1          |
| 315T4400-31  |                     | 7    | 890  | 1          |
| 315T4400-32  |                     | 7    | 895  | 1          |
| 315T4400-35  |                     | 7    | 850  | 1          |
| 315T4400-36  |                     | 7    | 855  | 1          |
| 315T4400-37  |                     | 7    | 860  | 1          |
| 315T4400-38  |                     | 7    | 865  | 1          |
| 315T4400-39  |                     | 7    | 870  | 1          |

# 71-11-56

 ILLUSTRATED PARTS LIST  
 01.1 Page 1018N  
 Nov 01/04



| PART NUMBER | AIRLINE<br>PART NO. | FIG. | ITEM | TTL<br>REQ |
|-------------|---------------------|------|------|------------|
| 315T4400-40 |                     | 7    | 875  | 1          |
| 315T4400-42 |                     | 7    | 120  | 1          |
| 315T4400-44 |                     | 7    | 470  | 1          |
| 315T4400-49 |                     | 7    | 220  | 1          |
| 315T4400-50 |                     | 7    | 225  | 1          |
| 315T4400-51 |                     | 7    | 230  | 1          |
| 315T4400-52 |                     | 7    | 235  | 1          |
| 315T4400-53 |                     | 7    | 250  | 1          |
| 315T4400-54 |                     | 7    | 255  | 1          |
| 315T4400-55 |                     | 7    | 270  | 1          |
| 315T4400-56 |                     | 7    | 275  | 1          |
| 315T4400-57 |                     | 7    | 260  | 1          |
| 315T4400-58 |                     | 7    | 265  | 1          |
| 315T4400-67 |                     | 7    | 240  | 1          |
| 315T4400-68 |                     | 7    | 245  | 1          |
| 315T4400-69 |                     | 1    | 772A | 1          |
|             |                     | 7    | 1A   | RF         |
| 315T4400-7  |                     | 7    | 528  | 1          |
| 315T4400-70 |                     | 1    | 774A | 1          |
|             |                     | 7    | 5A   | RF         |
| 315T4400-73 |                     | 7    | 880  | 1          |
| 315T4400-74 |                     | 7    | 885  | 1          |
| 315T4400-75 |                     | 7    | 820  | 1          |
| 315T4400-76 |                     | 7    | 825  | 1          |
| 315T4400-77 |                     | 7    | 240A | 1          |
| 315T4400-78 |                     | 7    | 245A | 1          |
| 315T4400-8  |                     | 7    | 530  | 1          |
| 315T4400-83 |                     | 7    | 475A | 1          |
| 315T4400-84 |                     | 7    | 480A | 1          |
| 315T4400-86 |                     | 7    | 790B | 1          |
| 315T4400-87 |                     | 7    | 812B | 1          |
| 315T4400-89 |                     | 7    | 910C | 1          |
| 315T4400-90 |                     | 7    | 915C | 1          |
| 315T4400-91 |                     | 7    | 495B | 1          |
| 315T4400-94 |                     | 7    | 755B | 1          |

**71-11-56**

ILLUSTRATED PARTS LIST  
01.1 Page 10180  
Nov 01/04

| PART NUMBER  | AIRLINE<br>PART NO. | FIG. | ITEM | TTL<br>REQ |
|--------------|---------------------|------|------|------------|
| 315T4400-95  |                     | 7    | 825A | 1          |
| 315T4400-97  |                     | 7    | 260A | 1          |
| 315T4400-98  |                     | 7    | 265A | 1          |
| 315T4400-99  |                     | 7    | 220A | 1          |
| 315T4401-115 |                     | 7    | 740A | 1          |
| 315T4401-117 |                     | 7    | 740B | 1          |
| 315T4401-119 |                     | 7    | 747A | 1          |
| 315T4401-120 |                     | 7    | 742B | 1          |
| 315T4401-123 |                     | 7    | 747B | 1          |
| 315T4401-124 |                     | 7    | 742C | 1          |
| 315T4401-129 |                     | 7    | 740C | 1          |
| 315T4401-130 |                     | 7    | 742D | 1          |
| 315T4401-131 |                     | 7    | 747C | 1          |
| 315T4401-132 |                     | 7    | 740D | 1          |
| 315T4401-133 |                     | 7    | 740F | 1          |
| 315T4401-134 |                     | 7    | 742F | 1          |
| 315T4401-135 |                     | 7    | 747D | 1          |
| 315T4401-37  |                     | 7    | 745  | 1          |
| 315T4401-89  |                     | 7    | 747  | 1          |
| 315T4401-90  |                     | 7    | 742A | 1          |
| 315T4403-11  |                     | 7    | 720A | 1          |
| 315T4403-12  |                     | 7    | 728A | 1          |
| 315T4403-13  |                     | 7    | 733A | 1          |
| 315T4403-14  |                     | 7    | 734A | 1          |
| 315T4403-19  |                     | 7    | 720C | 1          |
| 315T4403-2   |                     | 7    | 728  | 1          |
| 315T4403-20  |                     | 7    | 728C | 1          |
| 315T4403-21  |                     | 7    | 733C | 1          |
| 315T4403-22  |                     | 7    | 734C | 1          |
| 315T4403-23  |                     | 7    | 720D | 1          |
| 315T4403-24  |                     | 7    | 728D | 1          |
| 315T4403-25  |                     | 7    | 733D | 1          |
| 315T4403-26  |                     | 7    | 734D | 1          |
| 315T4403-27  |                     | 7    | 720E | 1          |
| 315T4403-28  |                     | 7    | 728E | 1          |

# 71-11-56

 ILLUSTRATED PARTS LIST  
 01.1 Page 1018P  
 Nov 01/04

| PART NUMBER | AIRLINE<br>PART NO. | FIG. | ITEM | TTL<br>REQ |
|-------------|---------------------|------|------|------------|
| 315T4403-29 |                     | 7    | 733E | 1          |
| 315T4403-30 |                     | 7    | 734E | 1          |
| 315T4403-4  |                     | 7    | 734  | 1          |
| 315T4403-7  |                     | 7    | 720  | 1          |
| 315T4403-9  |                     | 7    | 733  | 1          |
| 315T4409-13 |                     | 1    | 776A | 1          |
|             |                     | 18   | 735  | 1          |
| 315T4409-14 |                     | 1    | 778A | 1          |
|             |                     | 16   | 70   | 1          |
| 315T4409-15 |                     | 1    | 776  | 1          |
|             |                     | 1    | 778D | 1          |
| 315T4409-16 |                     | 1    | 778  | 1          |
|             |                     | 16   | 70A  | 1          |
| 315T4409-17 |                     | 1    | 782A | 1          |
|             |                     | 18   | 744  | 1          |
| 315T4409-18 |                     | 1    | 784A | 1          |
|             |                     | 18   | 747  | 1          |
| 315T4409-19 |                     | 1    | 782  | 1          |
|             |                     | 1    | 784B | 1          |
| 315T4409-20 |                     | 1    | 784  | 1          |
|             |                     | 18   | 747A | 1          |
| 315T4409-21 |                     | 18   | 741  | 1          |
| 315T4409-22 |                     | 16   | 70B  | 1          |
| 315T4409-22 |                     | 18   | 738  | 1          |
| 315T4409-23 |                     | 16   | 70C  | 1          |
|             |                     | 18   | 738A | 1          |
| 315T4409-24 |                     | 18   | 741A | 1          |
| 315T4409-26 |                     | 18   | 738B | 1          |
| 315T4726-10 |                     | 25   | 640  | 1          |
| 315T4726-12 |                     | 25   | 670  | 1          |
| 315T4726-13 |                     | 10   | 25A  | 1          |
| 315T4726-15 |                     | 25   | 570  | 1          |
|             |                     | 25   | 615  | 1          |
| 315T4726-16 |                     | 25   | 590  | 1          |
|             |                     | 25   | 635  | 1          |
| 315T4733-11 |                     | 25   | 570A | 1          |
|             |                     | 25   | 615A | 1          |
| 315T4733-12 |                     | 25   | 640A | 1          |
| 315T4733-13 |                     | 25   | 590A | 1          |
|             |                     | 25   | 635A | 1          |
| 315T4733-14 |                     | 25   | 670A | 1          |
| 315U4005-3  |                     | 18   | 591  | 1          |
| 315U4005-5  |                     | 18   | 588  | 1          |

71-11-56

ILLUSTRATED PARTS LIST  
01.1 Page 1018Q  
Nov 01/04

| PART NUMBER  | AIRLINE<br>PART NO. | FIG. | ITEM | TTL<br>REQ |
|--------------|---------------------|------|------|------------|
| 315U4005-7   |                     | 18   | 585  | 1          |
| 315U4009-10  |                     | 1    | 5L   | RF         |
| 315U4009-10, |                     | 5    | 515A | 1          |
|              |                     | 5    | 517A | 1          |
|              |                     | 5    | 519A | 1          |
|              |                     | 5    | 521A | 1          |
|              |                     | 5    | 540C | 1          |
|              |                     | 6    | 290B | 1          |
|              |                     | 6    | 310D | 1          |
| 315U4009-11  |                     | 1    | 10L  | RF         |
|              |                     | 5    | 535C | 1          |
| 315U4009-11, |                     | 5    | 515A | 1          |
|              |                     | 5    | 517A | 1          |
|              |                     | 5    | 519A | 1          |
|              |                     | 5    | 521A | 1          |
|              |                     | 6    | 285B | 1          |
|              |                     | 6    | 305D | 1          |
| 315U4009-12  |                     | 1    | 15N  | RF         |
|              |                     | 5    | 515A | 1          |
|              |                     | 5    | 517A | 1          |
|              |                     | 5    | 519A | 1          |
|              |                     | 5    | 521A | 1          |
|              |                     | 6    | 310D | 1          |
| 315U4009-12, |                     | 5    | 540C | 1          |
|              |                     | 6    | 29E  | 1          |
| 315U4009-12, |                     | 6    | 290B | 1          |
| 315U4009-13  |                     | 6    | 305D | 1          |
| 315U4009-14  |                     | 6    | 29E  | 1          |
|              |                     | 6    | 310D | 1          |
| 315U4009-15  |                     | 6    | 285B | 1          |
| 315U4009-16  |                     | 6    | 290B | 1          |
| 315U4009-17  |                     | 5    | 220C | 1          |
| 315U4009-18  |                     | 5    | 225C | 1          |
| 315U4009-19  |                     | 1    | 660A | 1          |
| 315U4009-20  |                     | 1    | 662B | 1          |
| 315U4009-21  |                     | 1    | 1S   | RF         |
| 315U4009-21, |                     | 6    | 28J  | 1          |
|              |                     | 6    | 285B | 1          |
|              |                     | 6    | 305D | 1          |
| 315U4009-22  |                     | 1    | 5Q   | RF         |
| 315U4009-22, |                     | 6    | 29B  | 1          |
|              |                     | 6    | 290B | 1          |
|              |                     | 6    | 310D | 1          |
| 315U4009-23  |                     | 1    | 10Q  | RF         |
|              |                     | 6    | 28J  | 1          |
|              |                     | 6    | 285B | 1          |
|              |                     | 6    | 305D | 1          |

# 71-11-56

 ILLUSTRATED PARTS LIST  
 01.1 Page 1018R  
 Nov 01/04

| PART NUMBER                               | AIRLINE<br>PART NO. | FIG. | ITEM | TTL<br>REQ |    |
|---|---------------------|------|------|------------|----|
| 315U4009-24                               |                     | 1    | 15S  | RF         |    |
|   |                     | 6    | 29B  | 1          |    |
|   |                     | 6    | 290B | 1          |    |
|   |                     | 6    | 310D | 1          |    |
|   |                     | 6    | 28C  | 1          |    |
|   |                     | 6    | 29B  | 1          |    |
| 315U4009-25                               |                     | 6    | 29B  | 1          |    |
| 315U4009-26                               |                     | 6    | 29B  | 1          |    |
| 315U4009-5                                |                     | 1    | 1P   | RF         |    |
| 315U4009-5,                               |                     | 5    | 515A | 1          |    |
|   |                     | 5    | 517A | 1          |    |
|   |                     | 5    | 519A | 1          |    |
|   |                     | 5    | 521A | 1          |    |
|   |                     | 5    | 535C | 1          |    |
|   |                     | 6    | 285B | 1          |    |
|   |                     | 6    | 305D | 1          |    |
|   | 315U4009-6          |      | 1    | 5M         | RF |
|   | 315U4009-6,         |      | 5    | 515A       | 1  |
|   |                     |      | 5    | 517A       | 1  |
|   |                     |      | 5    | 519A       | 1  |
|   |                     | 5    | 521A | 1          |    |
|   |                     | 5    | 540C | 1          |    |
|   |                     | 6    | 290B | 1          |    |
| 315U4009-6,<br>315U4009-7,<br>315U4009-7, |                     | 6    | 310D | 1          |    |
|   |                     | 1    | 10M  | RF         |    |
|   |                     | 5    | 515A | 1          |    |
|   |                     | 5    | 517A | 1          |    |
|   |                     | 5    | 519A | 1          |    |
|   |                     | 5    | 521A | 1          |    |
|   |                     | 5    | 535C | 1          |    |
|   |                     | 6    | 285B | 1          |    |
|   |                     | 6    | 305D | 1          |    |
|   | 315U4009-8          |      | 1    | 15P        | RF |
|   | 315U4009-8,         |      | 5    | 515A       | 1  |
|   |                     | 5    | 540C | 1          |    |
|   |                     | 6    | 290B | 1          |    |
|   |                     | 6    | 310D | 1          |    |
| 315U4009-9                                |                     |      | 1    | 1N         | RF |
| 315U4009-9,                               |                     |      | 5    | 515A       | 1  |
|   |                     | 5    | 517A | 1          |    |
|   |                     | 5    | 519A | 1          |    |
|   |                     | 5    | 521A | 1          |    |
|   |                     | 5    | 535C | 1          |    |
|   |                     | 6    | 28D  | 1          |    |
|   |                     | 6    | 285B | 1          |    |
|   |                     | 6    | 305D | 1          |    |

71-11-56

| PART NUMBER  | AIRLINE<br>PART NO. | FIG. | ITEM | TTL<br>REQ |
|--------------|---------------------|------|------|------------|
| 315U4100-1   |                     | 1    | 875  | 1          |
| 315U4100-14  |                     | 1    | 877  | 1          |
| 315U4100-17  |                     | 1    | 875A | 1          |
| 315U4100-18  |                     | 1    | 877A | 1          |
| 315U4100-21  |                     | 18   | 912  | 1          |
|              |                     | 20   | 1A   | RF         |
| 315U4100-22  |                     | 18   | 915  | 1          |
|              |                     | 20   | 5    | RF         |
| 315U4100-23  |                     | 20   | 1B   | RF         |
| 315U4100-24  |                     | 20   | 5A   | RF         |
| 315U4100-25  |                     | 20   | 70   | 1          |
| 315U4100-26  |                     | 20   | 75   | 1          |
| 315U4100-27  |                     | 20   | 1C   | RF         |
| 315U4100-28  |                     | 20   | 5B   | RF         |
| 315U4100-29  |                     | 20   | 1D   | RF         |
| 315U4100-30  |                     | 20   | 5C   | RF         |
| 315U4100-31  |                     | 20   | 1E   | RF         |
| 315U4100-32  |                     | 20   | 5D   | RF         |
| 315U4100-33  |                     | 20   | 1F   | RF         |
| 315U4100-34  |                     | 20   | 5E   | RF         |
| 315U4100-35  |                     | 20   | 1G   | RF         |
| 315U4100-36  |                     | 20   | 5F   | RF         |
| 315U4100-37  |                     | 20   | 1H   | RF         |
| 315U4100-38  |                     | 20   | 5G   | RF         |
| 315U4101-1   |                     | 1    | 879  | 1          |
| 315U4101-103 |                     | 1    | 879C | 1          |
| 315U4101-104 |                     | 1    | 881C | 1          |
| 315U4101-115 |                     | 1    | 879D | 1          |
| 315U4101-116 |                     | 1    | 881D | 1          |
| 315U4101-117 |                     | 1    | 879E | 1          |
|              |                     | 20   | 60   | 1          |

# 71-11-56

 ILLUSTRATED PARTS LIST  
 01.1 Page 1018T  
 Nov 01/04

| PART NUMBER  | AIRLINE<br>PART NO. | FIG. | ITEM | TTL<br>REQ |
|--------------|---------------------|------|------|------------|
| 315U4101-118 |                     | 1    | 881E | 1          |
|              |                     | 20   | 65   | 1          |
| 315U4101-79  |                     | 1    | 881  | 1          |
| 315U4101-81  |                     | 1    | 879A | 1          |
| 315U4101-94  |                     | 1    | 881B | 1          |
| 315U4101-95  |                     | 1    | 879B | 1          |
| 315U4305-1   |                     | 1    | 326  | 1          |
|              |                     | 9    | 1    | RF         |
|              |                     | 16   | 40   | 1          |
| 315U4305-100 |                     | 9    | 540B | 1          |
| 315U4305-101 |                     | 9    | 80A  | 1          |
| 315U4305-102 |                     | 9    | 85A  | 1          |
| 315U4305-103 |                     | 9    | 100A | 1          |
| 315U4305-104 |                     | 9    | 105A | 1          |
| 315U4305-105 |                     | 1    | 326A | 1          |
|              |                     | 9    | 1A   | RF         |
| 315U4305-106 |                     | 1    | 327A | 1          |
|              |                     | 9    | 5A   | RF         |
| 315U4305-107 |                     | 9    | 115B | 1          |
| 315U4305-108 |                     | 9    | 120B | 1          |
| 315U4305-109 |                     | 9    | 140A | 1          |
| 315U4305-110 |                     | 9    | 145A | 1          |
| 315U4305-111 |                     | 9    | 80C  | 1          |
| 315U4305-112 |                     | 9    | 85C  | 1          |
| 315U4305-113 |                     | 9    | 100B | 1          |
|              |                     | 9    | 108  | 1          |
| 315U4305-114 |                     | 9    | 105B | 1          |
|              |                     | 9    | 109  | 1          |
| 315U4305-115 |                     | 9    | 115C | 1          |
| 315U4305-116 |                     | 9    | 120C | 1          |
| 315U4305-117 |                     | 9    | 140B | 1          |
|              |                     | 9    | 149  | 1          |

**71-11-56**

ILLUSTRATED PARTS LIST  
01.1 Page 1018U  
Nov 01/04

| PART NUMBER  | AIRLINE<br>PART NO. | FIG. | ITEM | TTL<br>REQ |
|--------------|---------------------|------|------|------------|
| 315U4305-118 |                     | 9    | 145B | 1          |
|              |                     | 9    | 149M | 1          |
| 315U4305-119 |                     | 9    | 1B   | RF         |
|              |                     | 18   | 300  | 1          |
| 315U4305-120 |                     | 9    | 5B   | RF         |
|              |                     | 18   | 303  | 1          |
| 315U4305-121 |                     | 9    | 1C   | RF         |
| 315U4305-122 |                     | 9    | 5C   | RF         |
| 315U4305-123 |                     | 9    | 1D   | RF         |
| 315U4305-124 |                     | 9    | 5D   | RF         |
| 315U4305-125 |                     | 9    | 1E   | RF         |
| 315U4305-126 |                     | 9    | 5E   | RF         |
| 315U4305-127 |                     | 9    | 1F   | RF         |
| 315U4305-128 |                     | 9    | 5F   | RF         |
| 315U4305-129 |                     | 9    | 1G   | RF         |
| 315U4305-13  |                     | 9    | 265  | 1          |
| 315U4305-130 |                     | 9    | 5G   | RF         |
| 315U4305-131 |                     | 9    | 1H   | RF         |
| 315U4305-132 |                     | 9    | 5H   | RF         |
| 315U4305-133 |                     | 9    | 1J   | RF         |
| 315U4305-134 |                     | 9    | 5J   | RF         |
| 315U4305-135 |                     | 9    | 1K   | RF         |
| 315U4305-136 |                     | 9    | 5K   | RF         |
| 315U4305-137 |                     | 9    | 1L   | RF         |
| 315U4305-138 |                     | 9    | 5L   | RF         |
| 315U4305-139 |                     | 9    | 1M   | RF         |
| 315U4305-14  |                     | 9    | 270  | 1          |
| 315U4305-140 |                     | 9    | 5M   | RF         |
| 315U4305-141 |                     | 9    | 1N   | RF         |
| 315U4305-142 |                     | 9    | 5N   | RF         |
| 315U4305-143 |                     | 9    | 1P   | RF         |
| 315U4305-144 |                     | 9    | 5P   | RF         |
| 315U4305-145 |                     | 9    | 1Q   | RF         |
| 315U4305-146 |                     | 9    | 5Q   | RF         |
| 315U4305-147 |                     | 9    | 150H | 1          |
| 315U4305-148 |                     | 9    | 155H | 1          |
| 315U4305-149 |                     | 9    | 1R   | RF         |
| 315U4305-150 |                     | 9    | 5R   | RF         |
| 315U4305-151 |                     | 9    | 1S   | RF         |
| 315U4305-152 |                     | 9    | 5S   | RF         |
| 315U4305-153 |                     | 9    | 1T   | RF         |

# 71-11-56

 ILLUSTRATED PARTS LIST  
 01.1 Page 1018V  
 Nov 01/04



| PART NUMBER  | AIRLINE<br>PART NO. | FIG. | ITEM | TTL<br>REQ |
|--------------|---------------------|------|------|------------|
| 315U4305-154 |                     | 9    | 5T   | RF         |
| 315U4305-155 |                     | 9    | 1U   | RF         |
| 315U4305-156 |                     | 9    | 5U   | RF         |
| 315U4305-17  |                     | 9    | 295  | 1          |
| 315U4305-18  |                     | 9    | 300  | 1          |
| 315U4305-19  |                     | 9    | 295A | 1          |
| 315U4305-2   |                     | 1    | 327  | 1          |
|              |                     | 9    | 5    | RF         |
|              |                     | 16   | 45   | 1          |
| 315U4305-20  |                     | 9    | 300A | 1          |
| 315U4305-23  |                     | 9    | 340  | 1          |
| 315U4305-24  |                     | 9    | 345  | 1          |
| 315U4305-25  |                     | 9    | 305  | 1          |
| 315U4305-26  |                     | 9    | 310  | 1          |
| 315U4305-27  |                     | 9    | 305A | 1          |
| 315U4305-28  |                     | 9    | 310A | 1          |
| 315U4305-29  |                     | 9    | 350  | 1          |
| 315U4305-30  |                     | 9    | 355  | 1          |
| 315U4305-31  |                     | 9    | 315  | 1          |
| 315U4305-32  |                     | 9    | 320  | 1          |
| 315U4305-33  |                     | 9    | 315A | 1          |
| 315U4305-34  |                     | 9    | 320A | 1          |
| 315U4305-35  |                     | 9    | 380  | 1          |
| 315U4305-36  |                     | 9    | 385  | 1          |
| 315U4305-37  |                     | 9    | 380A | 1          |
| 315U4305-38  |                     | 9    | 385A | 1          |
| 315U4305-39  |                     | 9    | 80   | 1          |
| 315U4305-40  |                     | 9    | 85   | 1          |
| 315U4305-41  |                     | 9    | 100  | 1          |
| 315U4305-42  |                     | 9    | 105  | 1          |
| 315U4305-43  |                     | 9    | 395  | 1          |
| 315U4305-44  |                     | 9    | 400  | 1          |
| 315U4305-45  |                     | 9    | 395A | 1          |
| 315U4305-46  |                     | 9    | 400A | 1          |
| 315U4305-47  |                     | 9    | 115  | 1          |
| 315U4305-48  |                     | 9    | 120  | 1          |
| 315U4305-49  |                     | 9    | 140  | 1          |
| 315U4305-50  |                     | 9    | 145  | 1          |
| 315U4305-51  |                     | 9    | 435A | 1          |
| 315U4305-51  |                     | 9    | 450  | 1          |
|              |                     | 9    | 451  | 2          |
| 315U4305-52  |                     | 9    | 465  | 1          |
| 315U4305-53  |                     | 9    | 425  | 1          |
| 315U4305-54  |                     | 9    | 430  | 1          |
| 315U4305-55  |                     | 9    | 440  | 1          |
|              |                     | 9    | 452  | 1          |

**71-11-56**

ILLUSTRATED PARTS LIST  
01.1 Page 1018W  
Nov 01/04

| PART NUMBER | AIRLINE<br>PART NO. | FIG. | ITEM | TTL<br>REQ |
|-------------|---------------------|------|------|------------|
| 315U4305-56 |                     | 9    | 445  | 1          |
|             |                     | 9    | 453  | 1          |
| 315U4305-59 |                     | 9    | 480  | 1          |
| 315U4305-60 |                     | 9    | 485  | 1          |
| 315U4305-61 |                     | 9    | 470  | 1          |
| 315U4305-62 |                     | 9    | 475  | 1          |
| 315U4305-63 |                     | 9    | 470A | 1          |
| 315U4305-64 |                     | 9    | 475A | 1          |
| 315U4305-65 |                     | 9    | 490  | 1          |
| 315U4305-66 |                     | 9    | 495  | 1          |
| 315U4305-67 |                     | 9    | 490A | 1          |
| 315U4305-68 |                     | 9    | 495A | 1          |
| 315U4305-69 |                     | 9    | 500  | 1          |
| 315U4305-7  |                     | 9    | 27   | 1          |
| 315U4305-70 |                     | 9    | 505  | 1          |
| 315U4305-71 |                     | 9    | 360  | 1          |
| 315U4305-72 |                     | 9    | 365  | 1          |
| 315U4305-73 |                     | 9    | 235  | 2          |
| 315U4305-75 |                     | 9    | 525  | 1          |
| 315U4305-76 |                     | 9    | 530  | 1          |
| 315U4305-77 |                     | 9    | 535  | 1          |
| 315U4305-78 |                     | 9    | 540  | 1          |
| 315U4305-8  |                     | 9    | 28   | 1          |
| 315U4305-81 |                     | 9    | 150B | 1          |
| 315U4305-82 |                     | 9    | 155B | 1          |
| 315U4305-83 |                     | 9    | 150C | 1          |
| 315U4305-84 |                     | 9    | 155C | 1          |
| 315U4305-85 |                     | 9    | 175A | 1          |
| 315U4305-86 |                     | 9    | 180A | 1          |
| 315U4305-87 |                     | 9    | 370  | 1          |
| 315U4305-88 |                     | 9    | 375  | 1          |
| 315U4305-89 |                     | 9    | 370A | 1          |
| 315U4305-90 |                     | 9    | 375A | 1          |
| 315U4305-91 |                     | 9    | 150D | 1          |
| 315U4305-92 |                     | 9    | 155D | 1          |

# 71-11-56

 ILLUSTRATED PARTS LIST  
 01.1 Page 1018X  
 Nov 01/04

| PART NUMBER | AIRLINE<br>PART NO. | FIG. | ITEM | TTL<br>REQ |
|-------------|---------------------|------|------|------------|
| 315U4305-93 |                     | 9    | 265A | 1          |
| 315U4305-94 |                     | 9    | 270A | 1          |
| 315U4305-95 |                     | 9    | 265C | 1          |
| 315U4305-96 |                     | 9    | 270C | 1          |
| 315U4305-97 |                     | 9    | 150E | 1          |
| 315U4305-98 |                     | 9    | 155E | 1          |
| 315U4305-99 |                     | 9    | 535B | 1          |
| 315U4306-1  |                     | 9    | 545  | 1          |
| 315U4306-2  |                     | 9    | 550  | 1          |
| 315U4306-3  |                     | 9    | 545A | 1          |
| 315U4306-4  |                     | 9    | 550A | 1          |
| 315U4307-1  |                     | 9    | 255  | 1          |
| 315U4307-2  |                     | 9    | 260  | 1          |
| 315U4307-3  |                     | 9    | 255A | 1          |
| 315U4307-4  |                     | 9    | 260A | 1          |
| 315U4308-1  |                     | 9    | 410  | 1          |
| 315U4308-2  |                     | 9    | 415  | 1          |
| 315U4308-3  |                     | 9    | 240  | 1          |
| 315U4308-4  |                     | 9    | 245  | 1          |
| 315U4308-5  |                     | 9    | 250  | 1          |
| 315U4309-1  |                     | 5    | 535A | 1          |
| 315U4309-19 |                     | 5    | 535E | 1          |
| 315U4309-2  |                     | 5    | 540A | 1          |
| 315U4309-20 |                     | 5    | 540E | 1          |
| 315U4309-21 |                     | 5    | 550C | 1          |
| 315U4309-22 |                     | 5    | 555C | 1          |
| 315U4309-29 |                     | 5    | 535F | 1          |
| 315U4309-3  |                     | 5    | 550A | 1          |
| 315U4309-30 |                     | 5    | 540F | 1          |
| 315U4309-31 |                     | 5    | 550D | 1          |
| 315U4309-32 |                     | 5    | 555D | 1          |
| 315U4309-33 |                     | 5    | 535H | 1          |
| 315U4309-34 |                     | 5    | 540H | 1          |
| 315U4309-35 |                     | 5    | 550E | 1          |
| 315U4309-36 |                     | 5    | 555E | 1          |

**71-11-56**

ILLUSTRATED PARTS LIST  
01.1 Page 1018Y  
Nov 01/04

| PART NUMBER | AIRLINE<br>PART NO. | FIG. | ITEM | TTL<br>REQ |
|-------------|---------------------|------|------|------------|
| 315U4309-37 |                     | 5    | 535K | 1          |
| 315U4309-38 |                     | 5    | 540K | 1          |
| 315U4309-39 |                     | 5    | 550F | 1          |
| 315U4309-4  |                     | 5    | 555A | 1          |
| 315U4309-40 |                     | 5    | 555F | 1          |
| 315U4309-5  |                     | 5    | 535B | 1          |
| 315U4309-6  |                     | 5    | 540B | 1          |
| 315U4309-7  |                     | 5    | 550B | 1          |
| 315U4309-8  |                     | 5    | 555B | 1          |
| 315U4310-10 |                     | 9    | 200A | 1          |
| 315U4310-11 |                     | 9    | 185A | 1          |
| 315U4310-12 |                     | 9    | 190A | 1          |
| 315U4310-13 |                     | 9    | 215A | 1          |
| 315U4310-14 |                     | 9    | 220A | 1          |
| 315U4310-15 |                     | 9    | 205A | 1          |
| 315U4310-16 |                     | 9    | 210A | 1          |
| 315U4310-17 |                     | 9    | 215B | 1          |
| 315U4310-18 |                     | 9    | 220B | 1          |
| 315U4310-19 |                     | 9    | 205B | 1          |
| 315U4310-20 |                     | 9    | 210B | 1          |
| 315U4310-21 |                     | 9    | 195B | 1          |
| 315U4310-22 |                     | 9    | 200B | 1          |
| 315U4310-23 |                     | 9    | 185B | 1          |
| 315U4310-24 |                     | 9    | 190B | 1          |
| 315U4310-25 |                     | 9    | 215C | 1          |
| 315U4310-26 |                     | 9    | 220C | 1          |
| 315U4310-27 |                     | 9    | 195C | 1          |
| 315U4310-28 |                     | 9    | 200C | 1          |
| 315U4310-29 |                     | 9    | 215D | 1          |
| 315U4310-30 |                     | 9    | 220D | 1          |
| 315U4310-31 |                     | 9    | 195D | 1          |
| 315U4310-32 |                     | 9    | 200D | 1          |
| 315U4310-9  |                     | 9    | 195A | 1          |
| 31875-6H    |                     | 4    | 140  | 1          |
|             |                     | 11   | 55   | 1          |
|             |                     | 11   | 60   | 2          |

# 71-11-56

 ILLUSTRATED PARTS LIST  
 01.1 Page 1018Z  
 Nov 01/04

| PART NUMBER  | AIRLINE<br>PART NO. | FIG. | ITEM | TTL<br>REQ |
|--------------|---------------------|------|------|------------|
| 332T4712-4   |                     | 18   | 894  | 1          |
| 332T4712-5   |                     | 18   | 897  | 1          |
| 332T4713-1   |                     | 1    | 447  | 1          |
|              |                     | 1    | 678  | 1          |
|              |                     | 11   | 1    | RF         |
| 332T4713-2   |                     | 11   | 45   | 1          |
| 332T4713-20  |                     | 11   | 1K   | RF         |
| 332T4713-22  |                     | 11   | 1L   | RF         |
| 332T4713-24  |                     | 11   | 1M   | RF         |
| 332T4713-8   |                     | 11   | 50   | 1          |
| 332T4713-9   |                     | 1    | 447A | 1          |
|              |                     | 11   | 1A   | RF         |
| 35056V06     |                     | 4    | 140  | 1          |
|              |                     | 11   | 55   | 1          |
|              |                     | 11   | 60   | 2          |
| 35235VN06    |                     | 4    | 150A | 2          |
| 35235V06     |                     | 4    | 130  | 1          |
|              |                     | 4    | 150  | 2          |
| 4385AF300    |                     | 4    | 30   | 2          |
| 44LC17H16PB  |                     | 11   | 35A  | 1          |
| 44LC17H20PB  |                     | 12   | 15   | 4          |
| 4671097H6    |                     | 4    | 140  | 1          |
|              |                     | 11   | 55   | 1          |
|              |                     | 11   | 60   | 2          |
| 4690009-06J  |                     | 11   | 40   | 1          |
| 490-16RPB    |                     | 11   | 35A  | 1          |
| 490-20RPB    |                     | 12   | 15   | 4          |
| 509SS12      |                     | 4    | 70   | 1          |
| 5830205-101  |                     | 4    | 190  | 1          |
| 5830205-102  |                     | 4    | 190A | 1          |
| 6D252        |                     | 11   | 65   | 2          |
| 60B89012-504 |                     | 3    | 115B | 1          |
|              |                     | 21   | 130  | 1          |
| 60B89012-505 |                     | 3    | 120B | 1          |
| 60B89012-505 |                     | 21   | 135  | 1          |

71-11-56

| PART NUMBER | AIRLINE<br>PART NO. | FIG. | ITEM | TTL<br>REQ |
|-------------|---------------------|------|------|------------|
| 66014-5     |                     | 1    | 648  | 45         |
|             |                     | 1    | 649  | 4          |
|             |                     | 1    | 716  | 54         |
|             |                     | 1    | 716H | 1          |
|             |                     | 3    | 170  | 40         |
|             |                     | 3    | 202  | 32         |
|             |                     | 4    | 181  | 4          |
|             |                     | 4    | 245  | 2          |
|             |                     | 5    | 42   | 19         |
|             |                     | 5    | 250  | 6          |
|             |                     | 7    | 185  | 24         |
|             |                     | 7    | 345  | 10         |
|             |                     | 7    | 348  | 3          |
|             |                     | 7    | 349  | 1          |
|             |                     | 7    | 350  | 22         |
|             |                     | 7    | 580  | 2          |
|             |                     | 7    | 706  | 4          |
|             |                     | 7    | 845  | 9          |
|             |                     | 8    | 150  | 1          |
|             |                     | 9    | 520  | 2          |
|             |                     | 14   | 110  | 4          |
|             |                     | 17   | 67   | 2          |
|             |                     | 17   | 315  | 2          |
|             |                     | 18   | 348  | 16         |
|             |                     | 18   | 369  | 24         |
|             |                     | 18   | 375  | 8          |
|             |                     | 18   | 390  | 4          |
|             |                     | 18   | 684  | 20         |
|             |                     | 18   | 687  | 2          |
|             |                     | 18   | 702  | 37         |
| 21          | 255                 | 42   |      |            |
| 21          | 295                 | 32   |      |            |
| 23          | 150                 | 1    |      |            |
| 25          | 580                 | 2    |      |            |
| 25          | 625                 | 2    |      |            |
| 25          | 885                 | 88   |      |            |
| 25          | 900                 | 5    |      |            |

# 71-11-56

 ILLUSTRATED PARTS LIST  
 01.1 Page 1020  
 Nov 01/04

| PART NUMBER | AIRLINE<br>PART NO. | FIG. | ITEM | TTL<br>REQ |
|-------------|---------------------|------|------|------------|
| 66014-6     |                     | 1    | 545X | 6          |
|             |                     | 1    | 588  | 3          |
|             |                     | 1    | 606  | 16         |
| 66014-6     |                     | 1    | 649H | 5          |
|             |                     | 1    | 734  | 84         |
|             |                     | 1    | 735  | 4          |
|             |                     | 1    | 895  | 6          |
|             |                     | 2    | 40   | 4          |
|             |                     | 2    | 95   | 2          |
|             |                     | 2    | 537  | 6          |
|             |                     | 2    | 625  | 12         |
|             |                     | 2    | 825  | 13         |
|             |                     | 3    | 10   | 36         |
|             |                     | 4    | 20   | 1          |
|             |                     | 4    | 200A | 7          |
|             |                     | 4    | 220  | 2          |
|             |                     | 4    | 280  | 3          |
|             |                     | 4    | 360A | 2          |
|             |                     | 5    | 64   | 30         |
|             |                     | 5    | 66   | 2          |
|             |                     | 5    | 68   | 2          |
|             |                     | 5    | 96   | 13         |
|             |                     | 5    | 330  | 4          |
|             |                     | 5    | 435  | 8          |
|             |                     | 7    | 40   | 31         |
|             |                     | 7    | 187  | 4          |
|             |                     | 7    | 420  | 9          |
|             |                     | 7    | 425  | 10         |
| 10          | 125                 | 4    |      |            |
| 12          | 40                  | 8    |      |            |
| 13          | 30                  | 138  |      |            |
| 13          | 70                  | 9    |      |            |
| 18          | 387                 | 5    |      |            |
| 18          | 414                 | 3    |      |            |
| 18          | 447                 | 19   |      |            |
| 18          | 498                 | 2    |      |            |
| 18          | 513                 | 2    |      |            |
| 18          | 552                 | 8    |      |            |
| 18          | 558                 | 3    |      |            |
| 18          | 720                 | 43   |      |            |
| 18          | 721                 | 4    |      |            |
| 18          | 840                 | 1    |      |            |
| 18          | 858                 | 44   |      |            |
| 20          | 50                  | 6    |      |            |
| 21          | 10                  | 36   |      |            |
| 25          | 75                  | 2    |      |            |

**71-11-56**

ILLUSTRATED PARTS LIST  
01.1 Page 1020A  
Nov 01/04

| PART NUMBER | AIRLINE<br>PART NO. | FIG.       | ITEM | TTL<br>REQ |
|-------------|---------------------|------------|------|------------|
| 66014-6     |                     | 25         | 120  | 12         |
|             |                     | 25         | 180  | 12         |
|             |                     | 25         | 265  | 2          |
|             |                     | 25         | 430  | 4          |
|             |                     | 25         | 560  | 6          |
|             |                     | 25         | 605  | 1          |
|             |                     | 25         | 650  | 2          |
|             |                     | 25         | 735  | 4          |
|             |                     | 26         | 75   | 4          |
| 66014-8     |                     | 2          | 605  | 12         |
|             |                     | 2          | 885  | 3          |
|             |                     | 2          | 895  | 2          |
|             |                     | 5          | 63   | 7          |
|             |                     | 5          | 97   | 7          |
|             |                     | 5          | 300  | 4          |
|             |                     | 7          | 415  | 2          |
|             |                     | 25         | 115  | 12         |
|             |                     | 67068-8AK7 |      | 5          |
| 5           | 57D                 |            |      | 3          |
| 5           | 59B                 |            |      | 1          |
| 678324      |                     | 7          | 290  | 4          |
| 69B97503-1  |                     | 1          | 44   | 1          |
|             |                     | 1          | 98   | 4          |
|             |                     | 1          | 98A  | 1          |
|             |                     | 1          | 98B  | 5          |
|             |                     | 1          | 140  | 3          |
|             |                     | 1          | 140A | 1          |
|             |                     | 1          | 140D | 2          |
|             |                     | 1          | 170  | 1          |
|             |                     | 1          | 202  | 2          |
|             |                     | 1          | 232  | 2          |
|             |                     | 1          | 268  | 2          |
|             |                     | 18         | 60   | 1          |
|             |                     | 18         | 105  | 5          |
|             |                     | 18         | 105A | 4          |
|             |                     | 18         | 105B | 1          |
| 18          | 147                 | 2          |      |            |
| 18          | 147A                | 3          |      |            |
| 18          | 147B                | 1          |      |            |
| 18          | 177                 | 1          |      |            |
| 18          | 210                 | 2          |      |            |
| 18          | 249                 | 2          |      |            |
| 18          | 288                 | 2          |      |            |

# 71-11-56

 ILLUSTRATED PARTS LIST  
 01.1 Page 1020B  
 Nov 01/04



| PART NUMBER    | AIRLINE<br>PART NO. | FIG. | ITEM | TTL<br>REQ |
|----------------|---------------------|------|------|------------|
| 8425-180       |                     | 6    | 10   | 1          |
| 8425-181       |                     | 6    | 15   | 1          |
| 8425-182       |                     | 6    | 20   | 1          |
| 8425-183       |                     | 6    | 25   | 1          |
| 8425-209       |                     | 6    | 28A  | 1          |
| 8425-210       |                     | 6    | 29A  | 1          |
| 8425-221       |                     | 6    | 28F  | 1          |
| 8425-222       |                     | 6    | 29H  | 1          |
| 8425-67        |                     | 7    | 716  | 1          |
|                |                     | 14   | 135  | 1          |
| 88B10201-504   |                     | 3    | 115B | 1          |
|                |                     | 21   | 130  | 1          |
| 88B10201-505   |                     | 3    | 120B | 1          |
|                |                     | 21   | 135  | 1          |
| 9NS202101SE048 |                     | 4    | 10   | 1          |
|                |                     | 7    | 315  | 3          |
|                |                     | 7    | 554A | 1          |
| 9395-5         |                     | 7    | 280C | 1          |
| 9425-2         |                     | 7    | 555  | 1          |
| 9479-13        |                     | 7    | 608C | 3          |
| 9479-23        |                     | 7    | 608C | 3          |
| 9479-33        |                     | 7    | 608C | 3          |
| 95850M0150AAN  |                     | 4    | 175  | 1          |
| 96-02          |                     | 2    | 380  | 4          |
|                |                     | 4    | 96   | 1          |
|                |                     | 5    | 30   | 1          |
|                |                     | 7    | 636  | 1          |
|                |                     | 25   | 780  | 4          |
| 96D10458-504   |                     | 3    | 115B | 1          |
|                |                     | 21   | 130  | 1          |
| 96D10458-505   |                     | 3    | 120B | 1          |
|                |                     | 21   | 135  | 1          |
| 97-02          |                     | 1    | 526  | 8          |
|                |                     | 1    | 527  | 16         |
|                |                     | 1    | 541J | 8          |
|                |                     | 3    | 135  | 14         |
|                |                     | 21   | 125  | 14         |

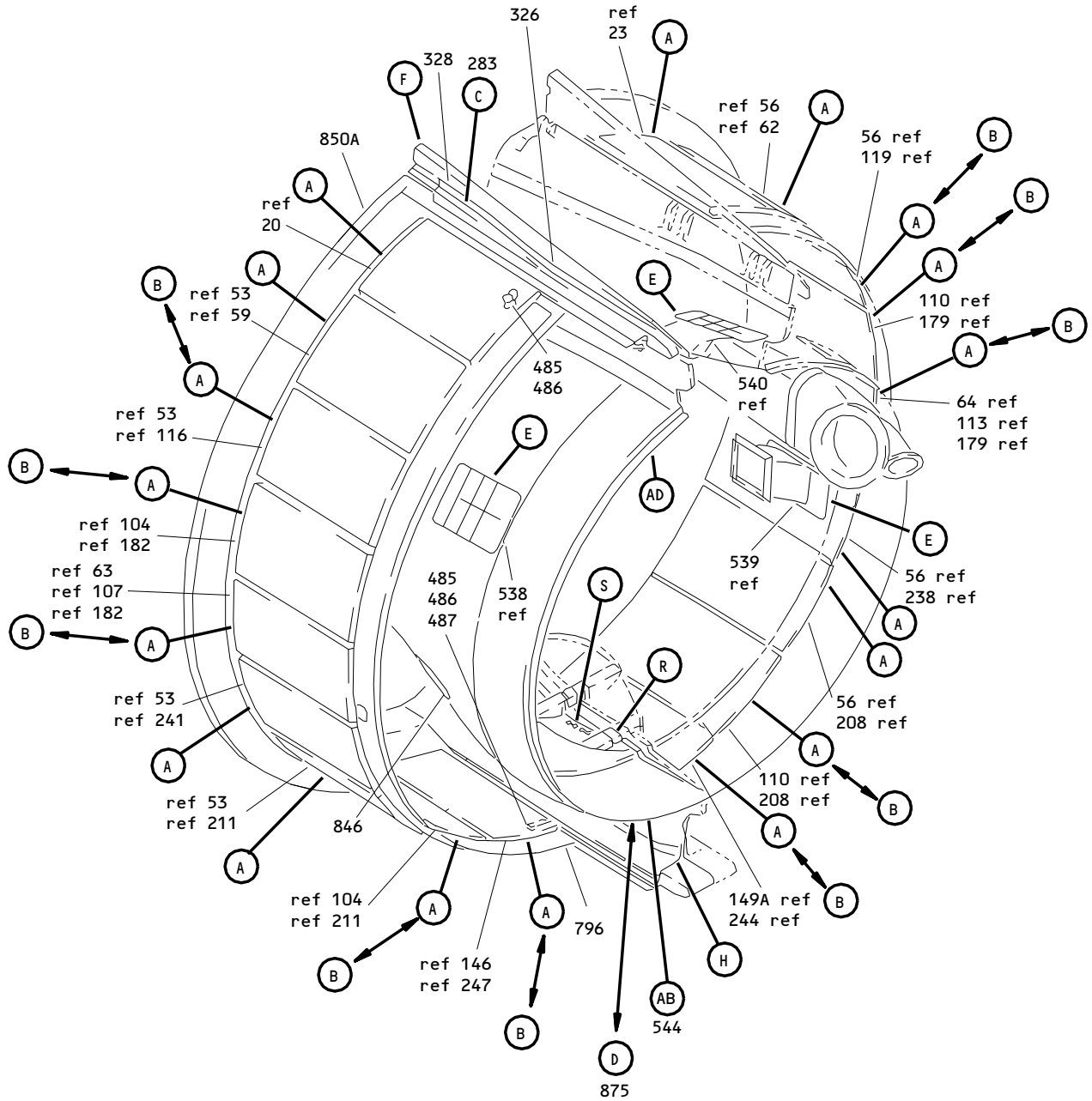
**71-11-56**

ILLUSTRATED PARTS LIST  
01.1 Page 1020C  
Nov 01/04

| PART NUMBER | AIRLINE<br>PART NO. | FIG. | ITEM | TTL<br>REQ |
|-------------|---------------------|------|------|------------|
| 97-62       |                     | 6    | 105  | 2          |
| 97E02       |                     | 1    | 580  | 2          |
|             |                     | 4    | 65   | 1          |
|             |                     | 7    | 648  | 2          |
|             |                     | 7    | 658  | 4          |
|             |                     | 11   | 20   | 2          |
| 97E054      |                     | 7    | 606  | 3          |
| 97E064      |                     | 7    | 622  | 3          |
| 97E48       |                     | 4    | 10   | 1          |
|             |                     | 7    | 315  | 3          |
|             |                     | 7    | 554A | 1          |
| 9893-5      |                     | 7    | 280C | 1          |

**71-11-56**

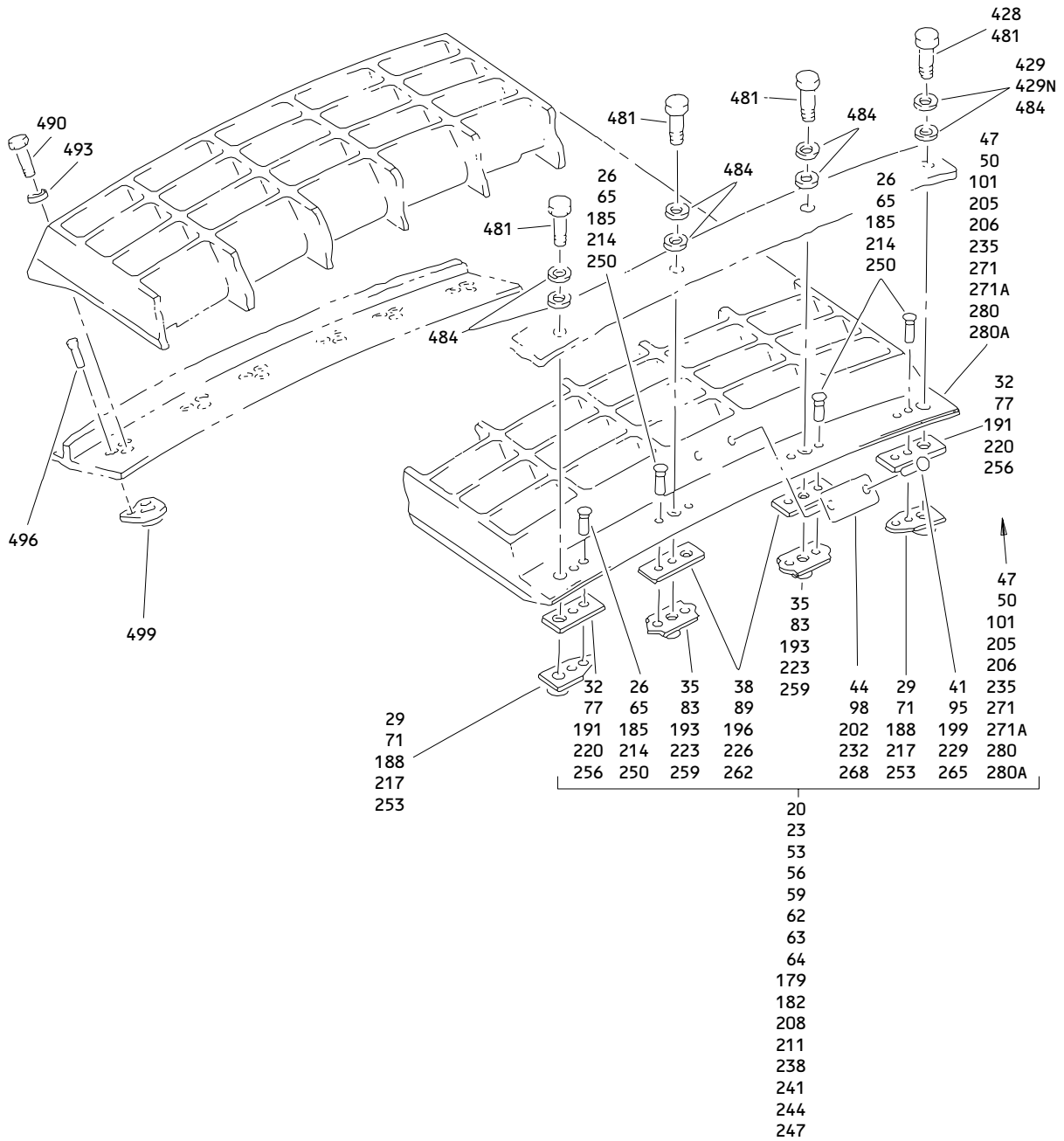
ILLUSTRATED PARTS LIST  
 01.1 Page 1020D  
 Nov 01/04



Engine Outboard and Inboard Side Fan Duct Cowl Assembly  
Figure 1 (Sheet 1)

**71-11-56**

ILLUSTRATED PARTS LIST  
01.1 Page 1020E  
Nov 01/04

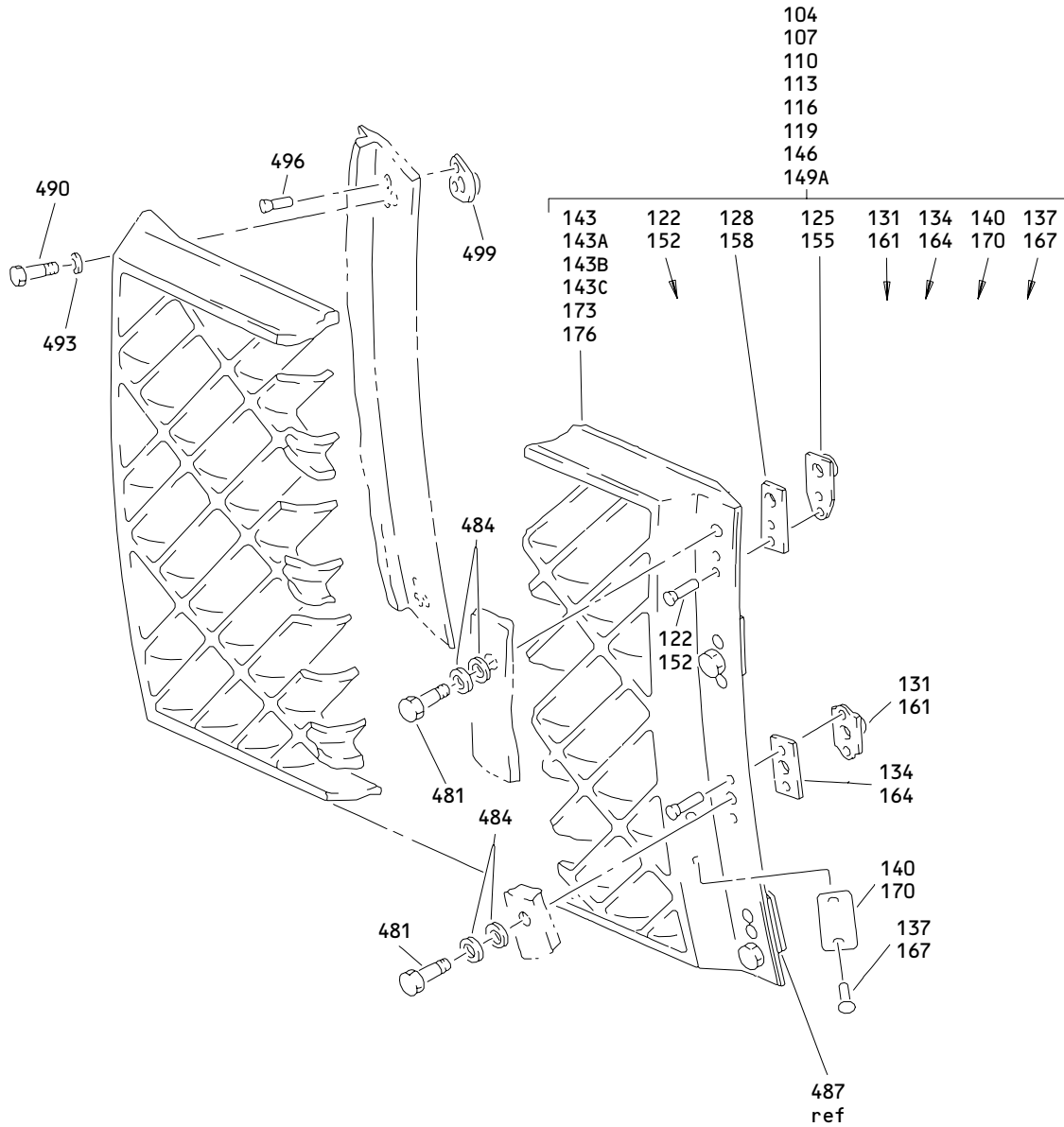


(A)

Engine Outboard and Inboard Side Fan Duct Cowl Assembly  
 Figure 1 (Sheet 2)

**71-11-56**

ILLUSTRATED PARTS LIST  
 01.1 Page 1020F  
 Nov 01/04

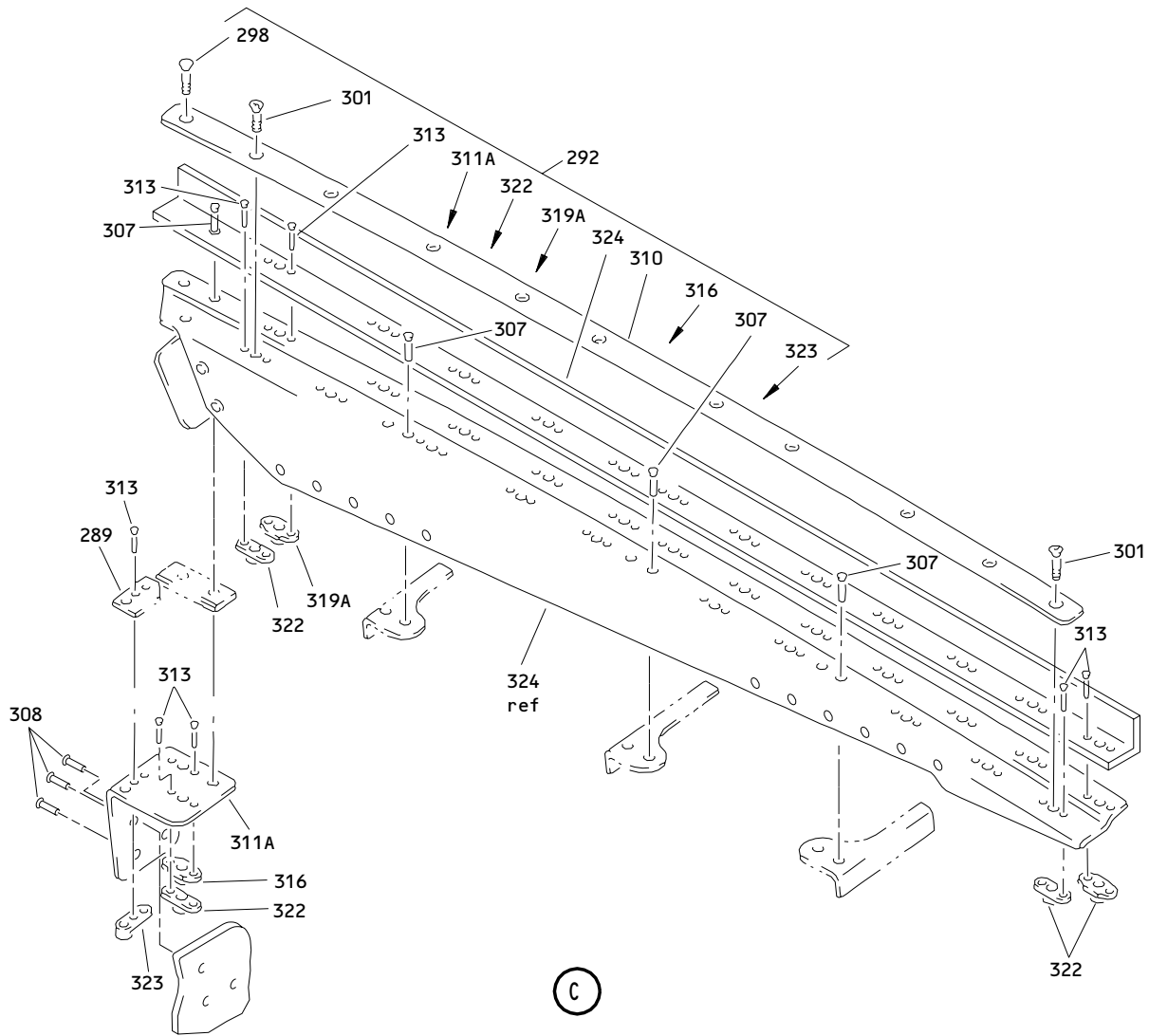


(B)

Engine Outboard and Inboard Side Fan Duct Cowl Assembly  
Figure 1 (Sheet 3)

**71-11-56**

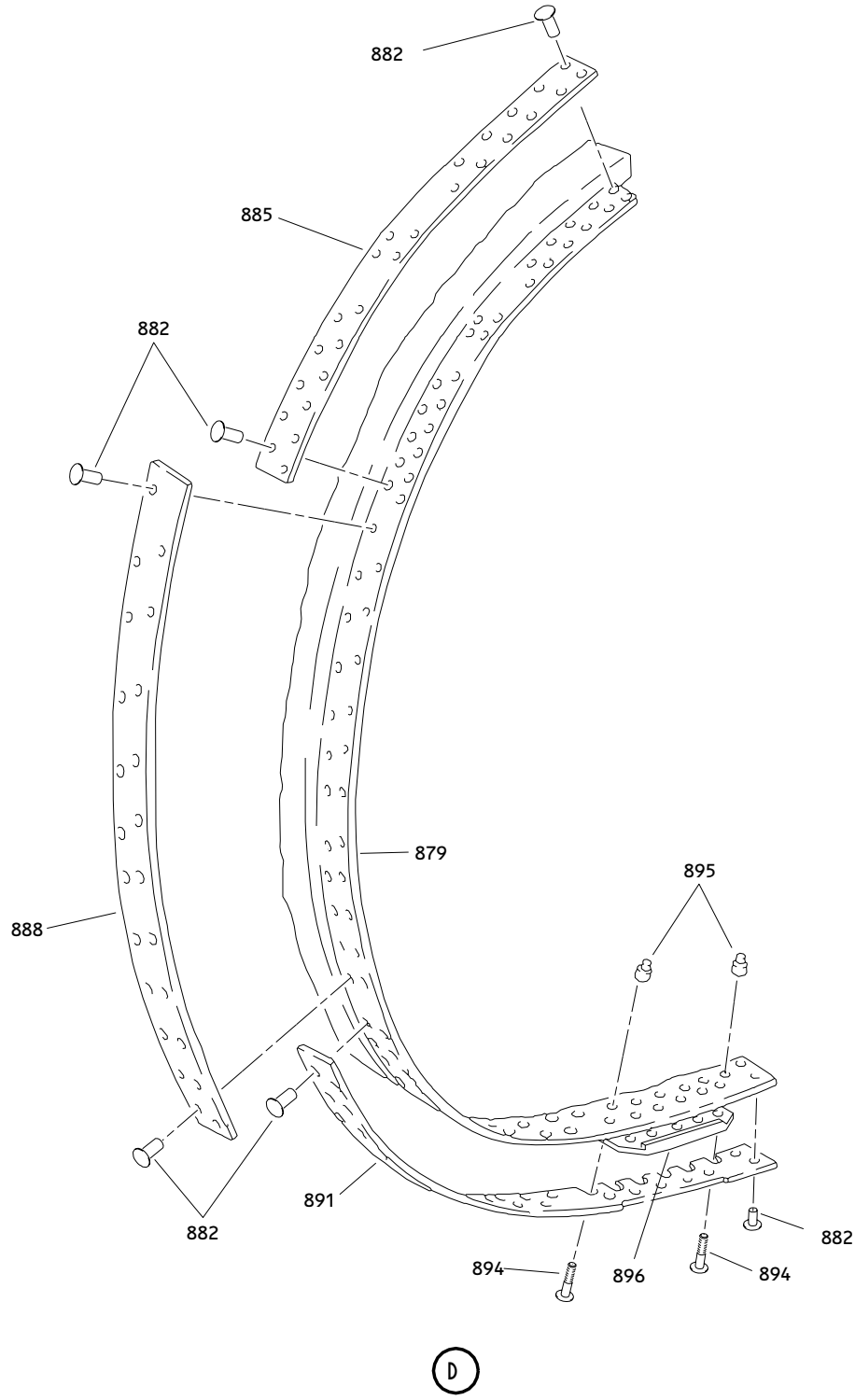
ILLUSTRATED PARTS LIST  
01.1 Page 1020G  
Nov 01/04



Engine Outboard and Inboard Side Fan Duct Cowl Assembly  
 Figure 1 (Sheet 4)

**71-11-56**

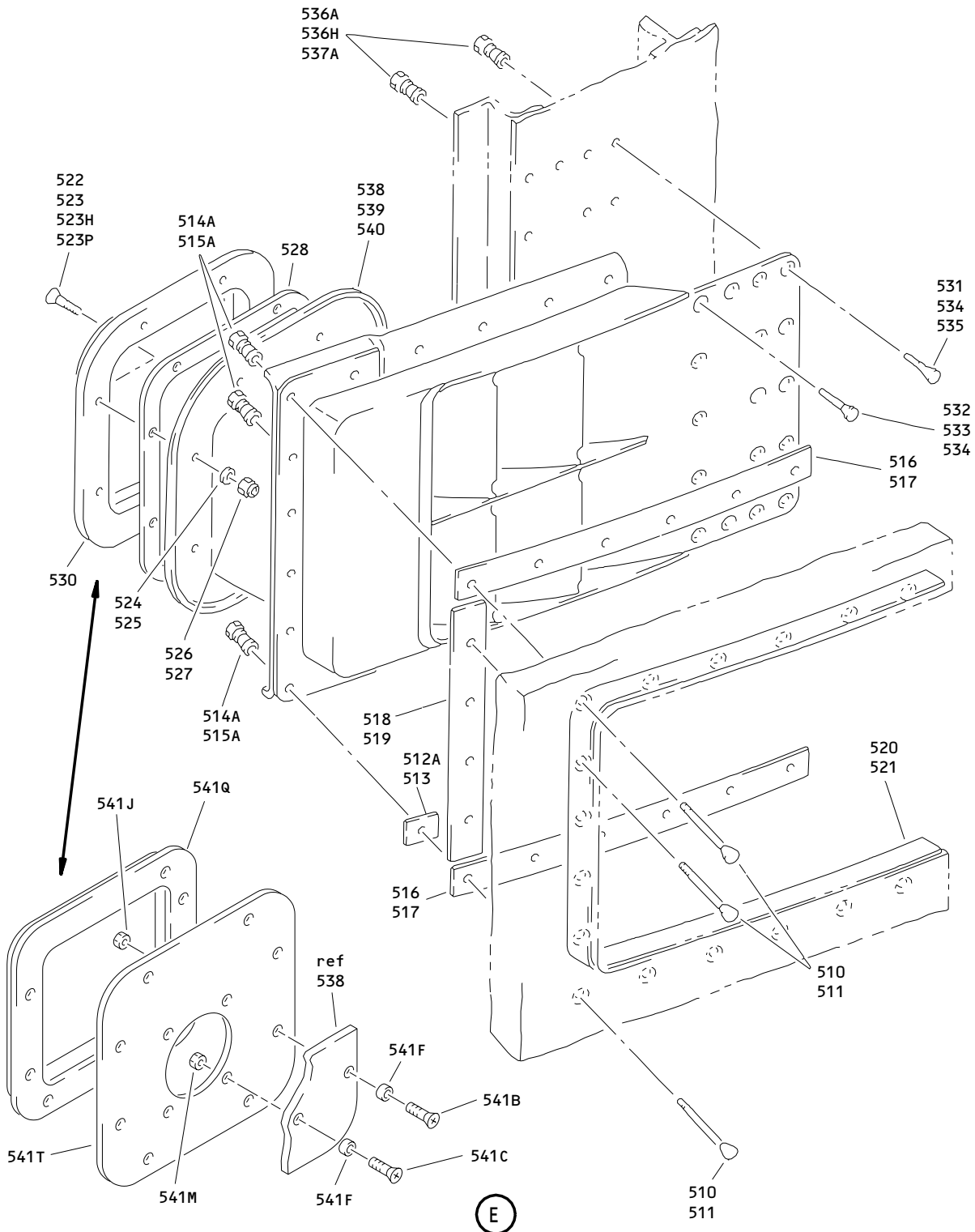
ILLUSTRATED PARTS LIST  
 01.1 Page 1020H  
 Nov 01/04



Engine Outboard and Inboard Side Fan Duct Cowl Assembly  
Figure 1 (Sheet 5)

**71-11-56**

ILLUSTRATED PARTS LIST  
01.1 Page 1020I  
Nov 01/04

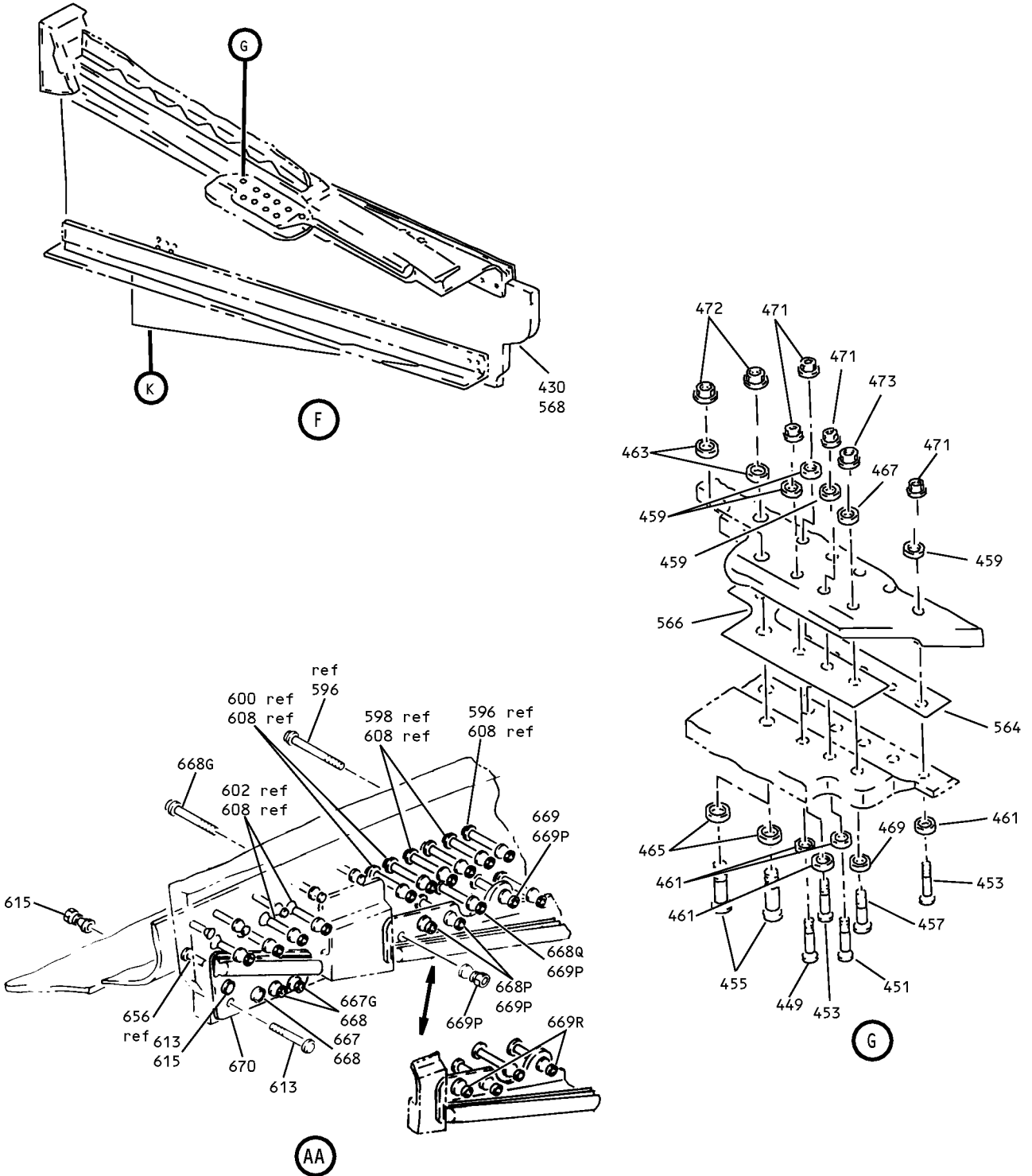


Engine Outboard and Inboard Side Fan Duct Cowl Assembly  
 Figure 1 (Sheet 6)

**71-11-56**

ILLUSTRATED PARTS LIST  
 01.1 Page 1020J  
 Nov 01/04

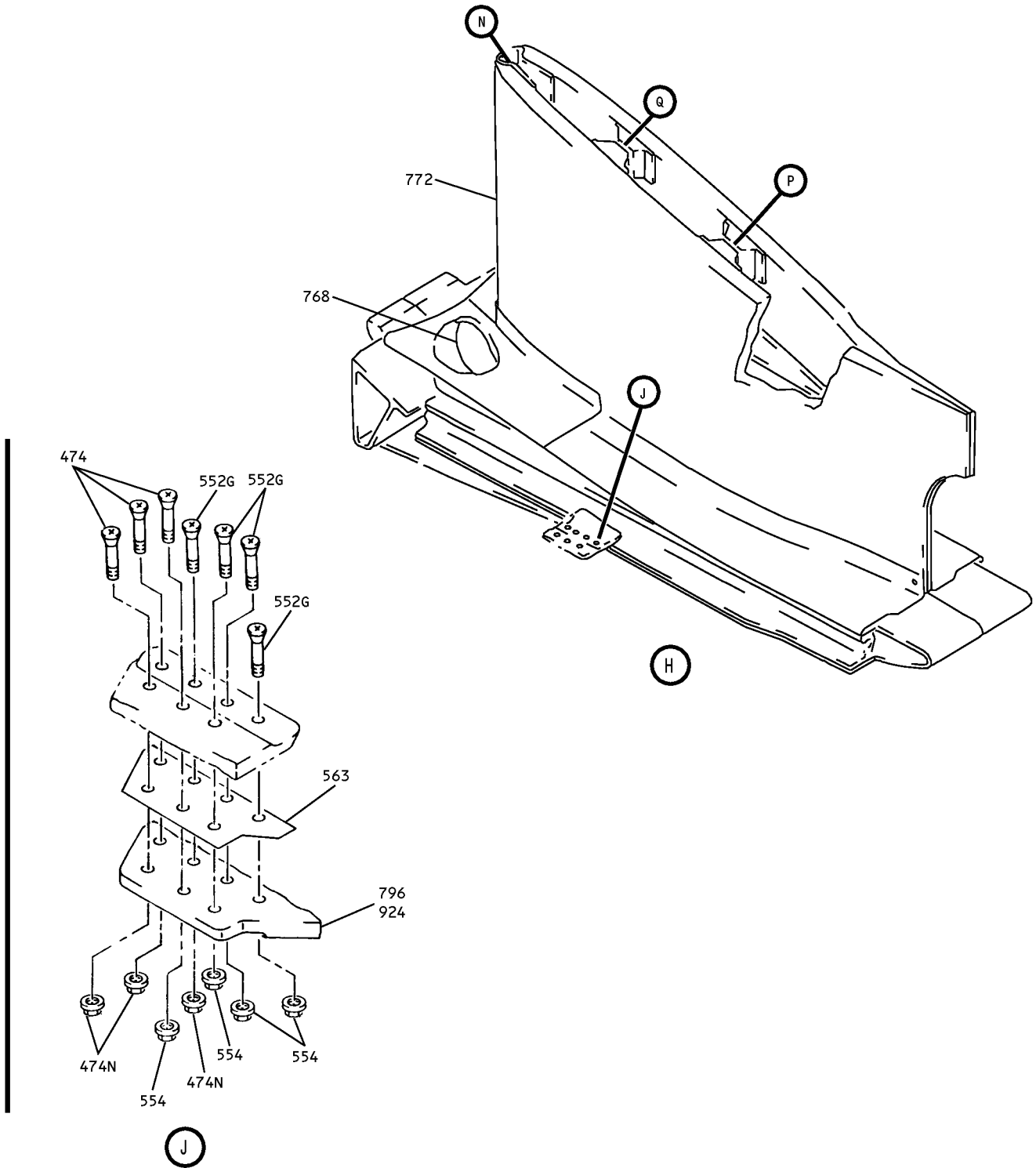




Engine Outboard and Inboard Side Fan Duct Cowling Assembly  
Figure 1 (Sheet 7)

**71-11-56**

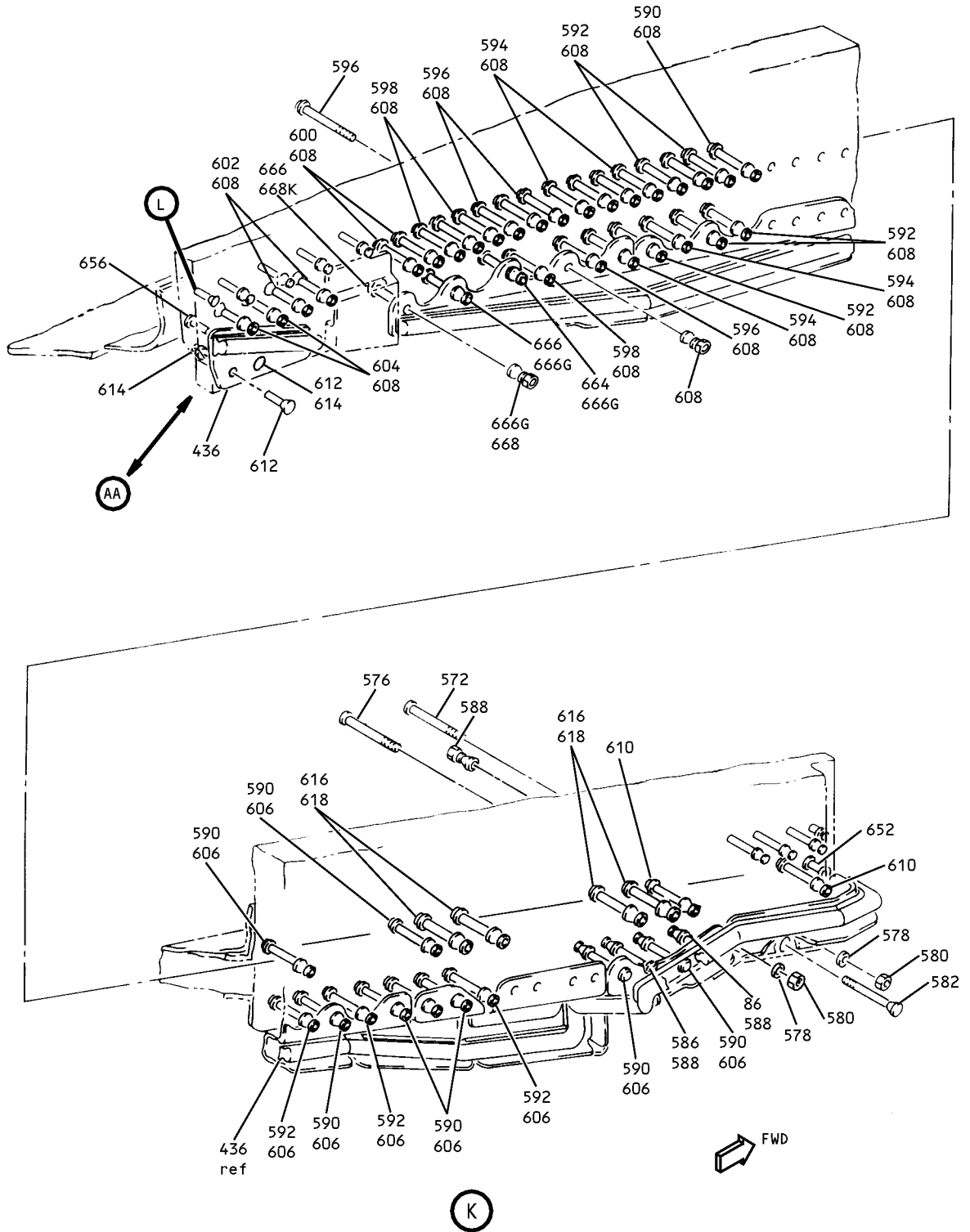
ILLUSTRATED PARTS LIST  
01.1 Page 1020K  
Nov 01/04



Engine Outboard and Inboard Side Fan Duct Cowl Assembly  
 Figure 1 (Sheet 8)

**71-11-56**

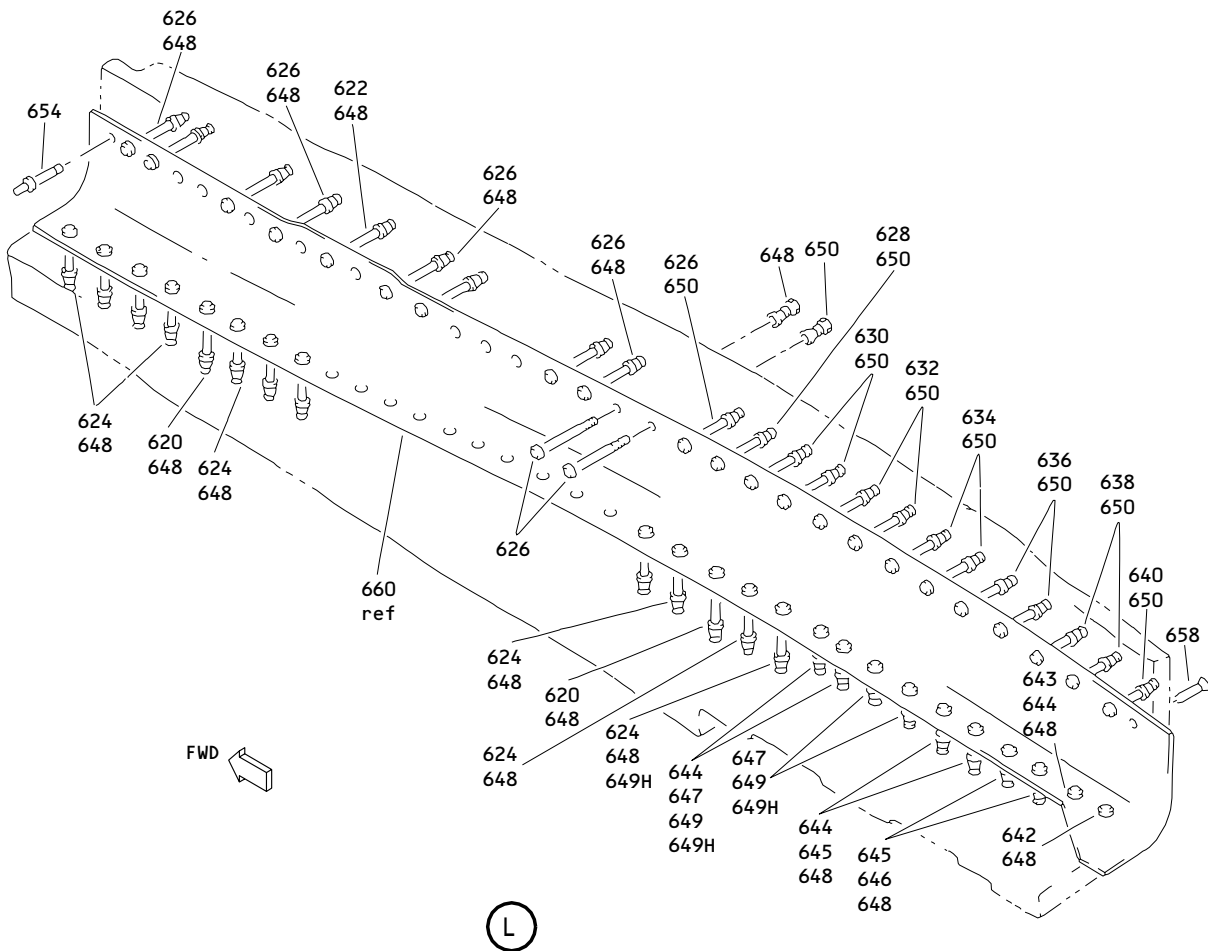
ILLUSTRATED PARTS LIST  
 01.1 Page 1020L  
 Nov 01/04



Engine Outboard and Inboard Side Fan Duct Cowl Assembly  
Figure 1 (Sheet 9)

**71-11-56**

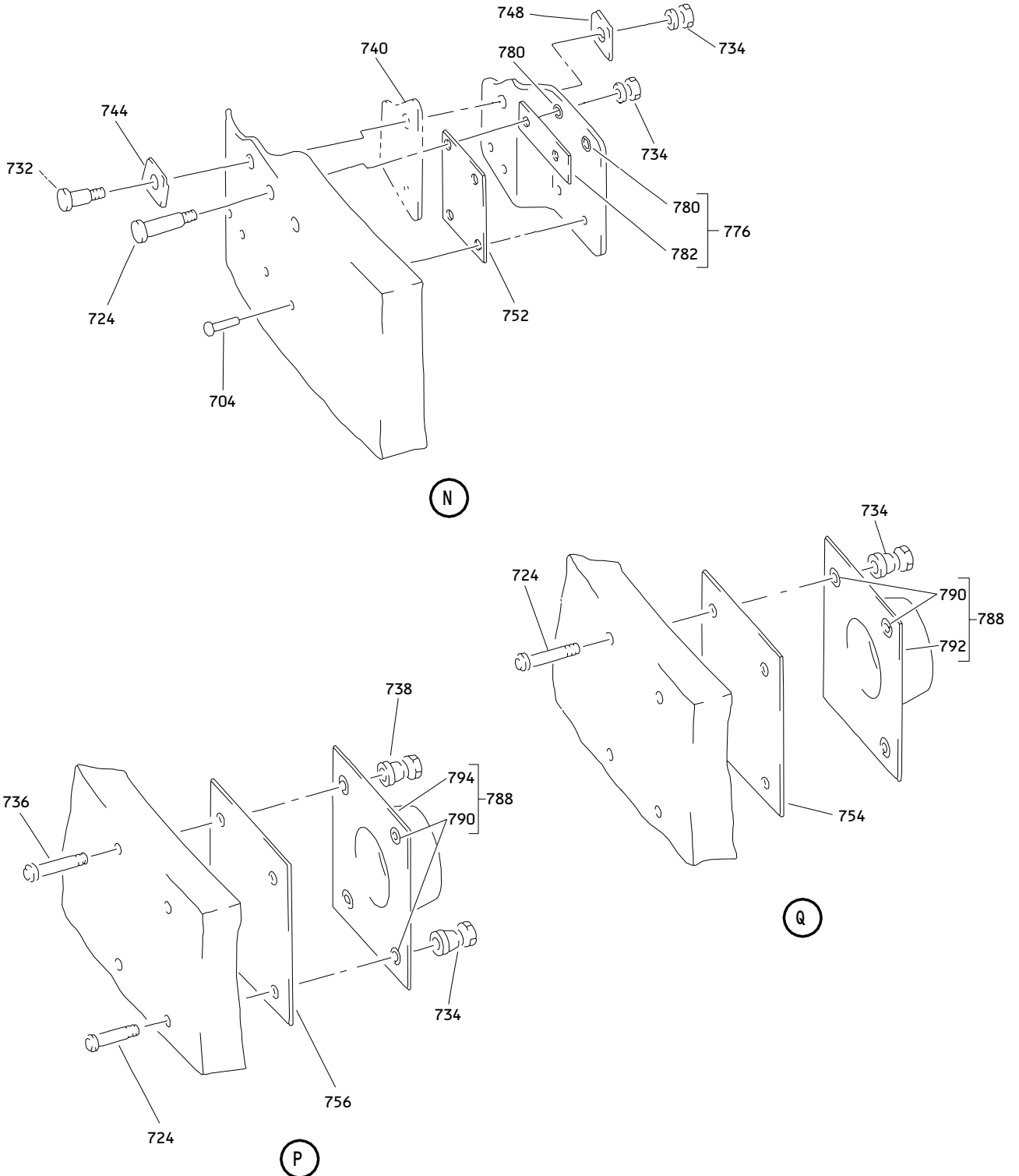
ILLUSTRATED PARTS LIST  
01.1 Page 1020M  
Nov 01/04



Engine Outboard and Inboard Side Fan Duct Cowl Assembly  
 Figure 1 (Sheet 10)

**71-11-56**

ILLUSTRATED PARTS LIST  
 01.1 Page 1020N  
 Nov 01/04



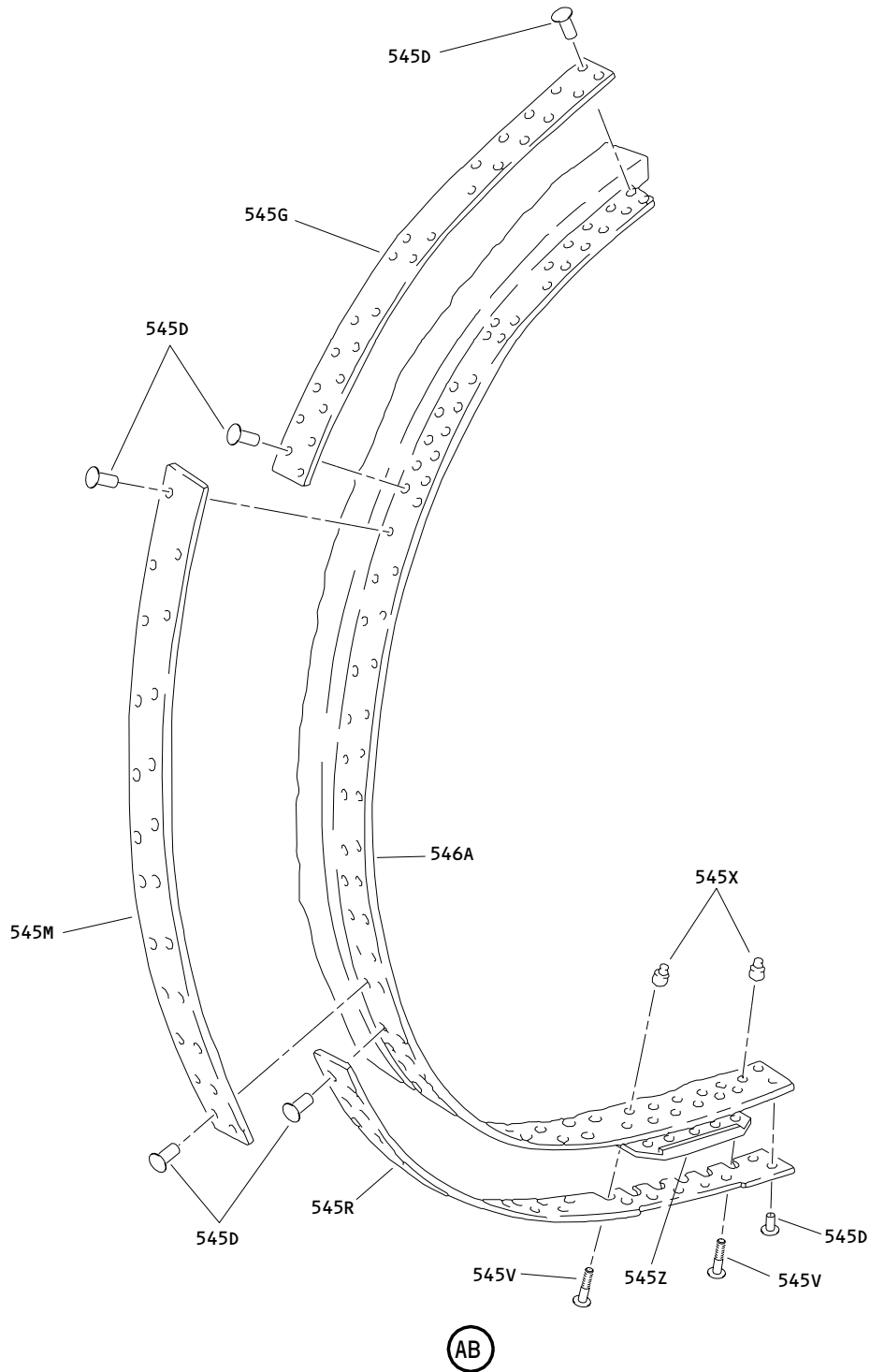
Engine Outboard and Inboard Side Fan Duct Cowl Assembly  
Figure 1 (Sheet 11)

**71-11-56**

ILLUSTRATED PARTS LIST  
01.1 Page 10200  
Nov 01/04





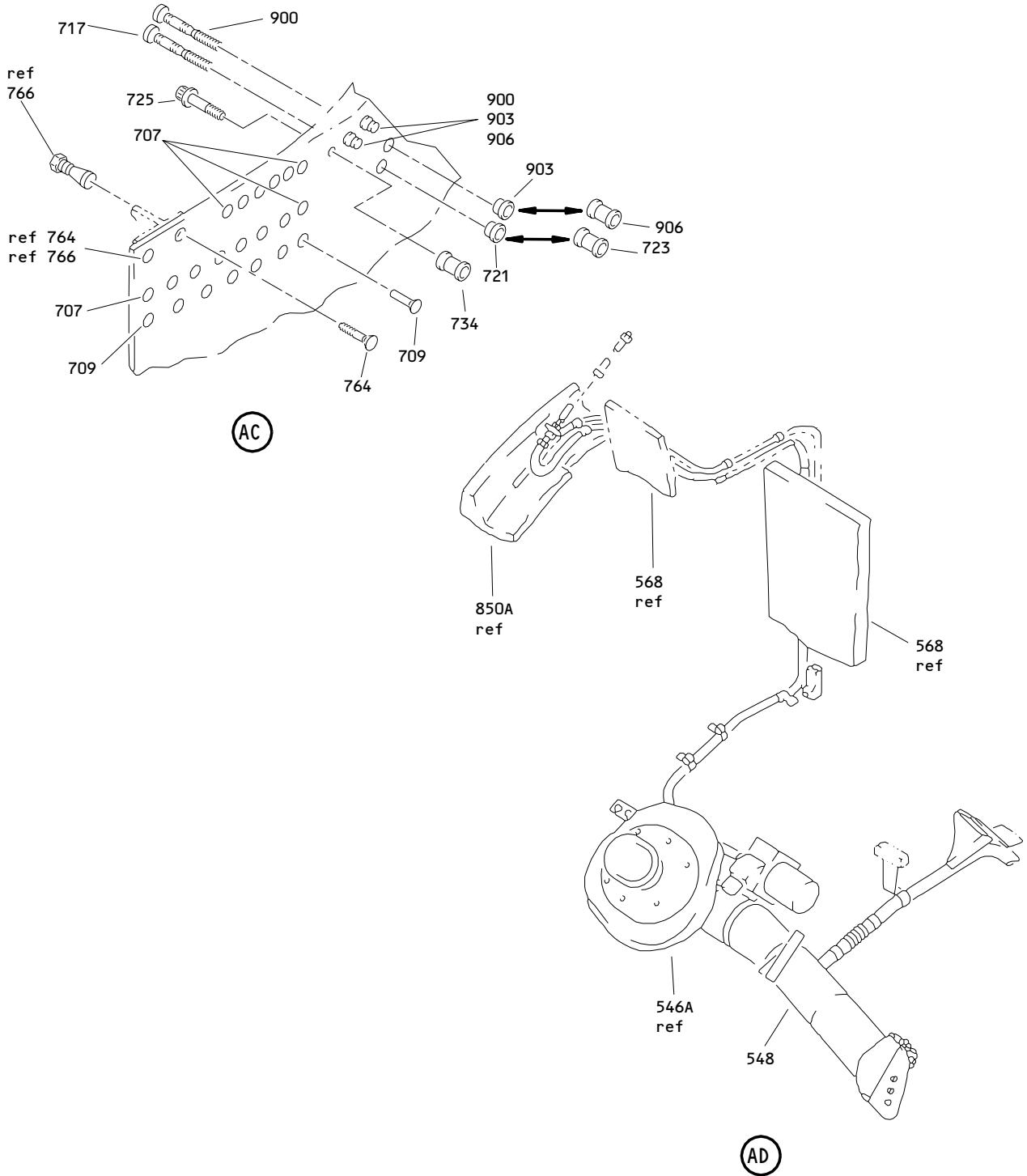


Engine Outboard and Inboard Side Fan Duct Cowl Assembly  
Figure 1 (Sheet 14)

**71-11-56**

ILLUSTRATED PARTS LIST  
01.1 Page 1020R  
Nov 01/04

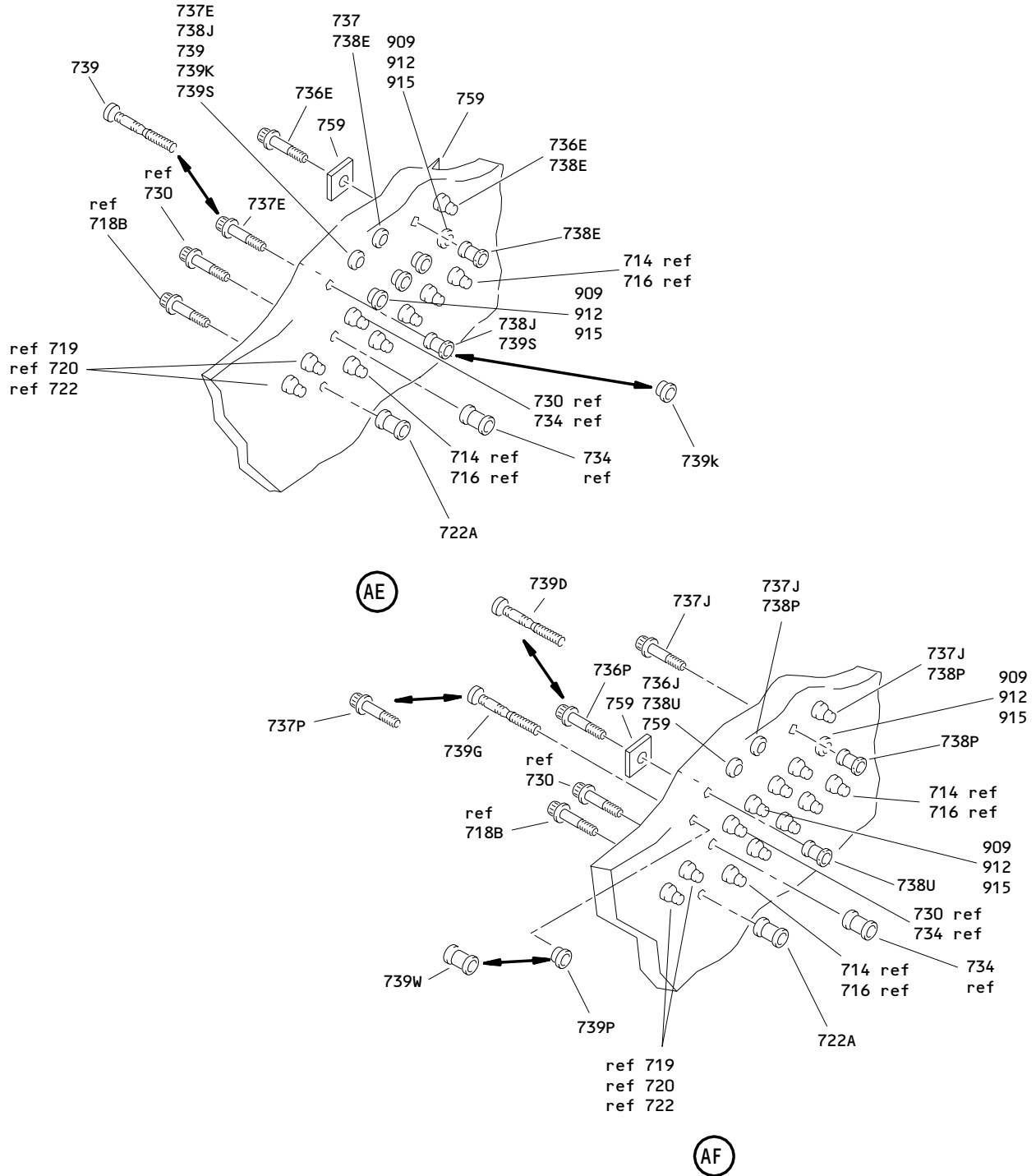




Engine Outboard and Inboard Side Fan Duct Cowl Assembly  
Figure 1 (Sheet 15)

**71-11-56**

ILLUSTRATED PARTS LIST  
01.1 Page 1020S  
Nov 01/04



Engine Outboard and Inboard Side Fan Duct Cowl Assembly  
 Figure 1 (Sheet 16)

**71-11-56**

ILLUSTRATED PARTS LIST  
 01.1 Page 1020T  
 Nov 01/04

 **BOEING**  
COMPONENT  
MAINTENANCE MANUAL

| FIG. & ITEM | PART NO.    | AIRLINE PART NUMBER | NOMENCLATURE<br>1234567  | EFF CODE | QTY PER ASSY |
|-------------|-------------|---------------------|--|----------|--------------|
| 01-         |             |                     | FAN DUCT COWL ASSY<br>(767/747)  |          |              |
| -1A         | 315T4013-5  |                     | DELETED  |          |              |
| -1B         | 315T4013-21 |                     | DELETED  |          |              |
| -1C         | 315T4013-25 |                     | DELETED  |          |              |
| -1D         | 315T4013-37 |                     | COWL ASSY-FAN DUCT (REWORK)<br>(LH SIDE, LH ENG)(767)<br>*[1]<br>(REWORKED BY<br>SB 767-78A0079)<br>(PRE SB 767-78A0079R3) | A        | RF           |
| -1E         | 315T4013-29 |                     | COWL ASSY-FAN DUCT<br>(LH SIDE, LH ENG)(767)<br>*[1]<br>(REWORKED BY<br>SB 767-78A0079)<br>(PRE SB 767-78A0079R3)          | B        | RF           |
| -1F         | 315T4013-33 |                     | COWL ASSY-FAN DUCT<br>(LH SIDE, NO. 1 AND 2<br>ENG)(747) *[1]<br>(REWORKED BY<br>SB 747-78A2164)<br>(PRE SB 747-78A2164R3) | J        | RF           |
| -1G         | 315T4013-45 |                     | COWL ASSY-FAN DUCT<br>(LH SIDE, NO. 1 AND 2<br>ENG)(747) *[1]<br>(REWORKED BY<br>SB 747-78A2164)<br>(PRE SB 747-78A2164R3) | K        | RF           |
| -1H         | 315T4013-49 |                     | DELETED  |          |              |
| -1J         | 315T4013-59 |                     | COWL ASSY-FAN DUCT (REWORK)<br>(LH SIDE, LH ENG)(767)<br>*[1]<br>(REWORKED BY<br>SB 767-78A0079)<br>(PRE SB 767-78A0079R3) | C        | RF           |
| -1K         | 315T4013-61 |                     | DELETED  |          |              |
| -1L         | 315T4013-67 |                     | COWL ASSY-FAN DUCT<br>(LH SIDE, LH ENG)(767)<br>*[1]<br>(PRE SB 767-78A0079R3)   | L        | RF           |

71-11-56

ILLUSTRATED PARTS LIST  
01.1 Page 1020U  
Nov 01/04

| FIG. & ITEM | PART NO.    | AIRLINE PART NUMBER | NOMENCLATURE<br>1234567  | EFF CODE | QTY PER ASSY |
|-------------|-------------|---------------------|--|----------|--------------|
| 01-<br>-1M  | 315T4013-63 |                     | COWL ASSY-FAN DUCT<br>(LH SIDE, NO. 1 AND 2<br>ENG)(747) *[1]<br>(REWORKED BY<br>SB 747-78A2164)<br>(PRE SB 747-78A2164R3) | V        | RF           |
| -1N         | 315U4009-9  |                     | COWL ASSY-FAN DUCT (REWORK)<br>(LH SIDE, LH ENGS)(747)   | AE       | RF           |
| -1P         | 315U4009-5  |                     | COWL ASSY-FAN DUCT (REWORK)<br>(LH SIDE, LH ENG)(767)  | AF       | RF           |
| -1Q         | 315T4013-71 |                     | COWL ASSY-FAN DUCT<br>(LH SIDE, NO. 1 AND 2<br>ENG)(747) *[1]<br>(REWORKED BY<br>SB 747-78A2164)<br>(PRE SB 747-78A2164R3) | AN       | RF           |
| -1R         | 315T4013-75 |                     | COWL ASSY-FAN DUCT<br>(LH SIDE, LH ENG)(767)<br>*[1]<br>(REWORKED BY<br>SB 767-78A0079)<br>(PRE SB 767-78A0079R3)          | AP       | RF           |
| -1S         | 315U4009-21 |                     | COWL ASSY-FAN DUCT (REWORK)<br>(LH SIDE, LH ENGS)(747)   | AW       | RF           |
| -1T         | 315T4013-79 |                     | COWL ASSY-FAN DUCT<br>(LH SIDE, LH ENG)(767)<br>*[1]<br>(REWORKED BY<br>SB 767-78A0079)<br>(PRE SB 767-78A0079R3)          | BA       | RF           |
| -1U         | 315T4013-83 |                     | COWL ASSY-FAN DUCT<br>(LH SIDE, NO. 1 AND 2<br>ENG)(747) *[1]<br>(REWORKED BY<br>SB 747-78A2164)<br>(PRE SB 747-78A2164R3) | BB       | RF           |
| -1V         | 315T4013-99 |                     | COWL ASSY-FAN DUCT<br>(LH SIDE, LH ENG)(767)<br>*[1]<br>(REWORKED BY<br>SB 767-78A0079)<br>(PRE SB 767-78A0079R3)          | BJ       | RF           |

# 71-11-56

 ILLUSTRATED PARTS LIST  
 01.1 Page 1020V  
 Nov 01/04



**BOEING**  
COMPONENT  
MAINTENANCE MANUAL

| FIG. & ITEM | PART NO.     | AIRLINE PART NUMBER | NOMENCLATURE<br>1234567  | EFF CODE | QTY PER ASSY |
|-------------|--------------|---------------------|--|----------|--------------|
| 01-<br>-1W  | 315T4013-103 |                     | COWL ASSY-FAN DUCT<br>(LH SIDE, NO. 1 AND 2<br>ENG)(747) *[1]<br>(REWORKED BY<br>SB 747-78A2164)<br>(PRE SB 747-78A2164R3)                                 | BK       | RF           |
| -1X         | 315T4013-107 |                     | COWL ASSY-FAN DUCT<br>(LH SIDE, LH ENG)(767)<br>*[1]<br>(REWORKED BY<br>SB 767-78A0079)<br>(PRE SB 767-78A0079R3)  | BS       | RF           |
| -1Y         | 315T4013-111 |                     | COWL ASSY-FAN DUCT<br>(LH SIDE, NO. 1 AND 2<br>ENG)(747) *[1]<br>(REWORKED BY<br>SB 747-78A2164)<br>(PRE SB 747-78A2164R3)                                 | BT       | RF           |
| -1Z         | 315T4013-115 |                     | COWL ASSY-FAN DUCT<br>(LH SIDE, LH ENG)(767)<br>*[1]<br>(REWORKED BY<br>SB 767-78A0079)<br>(PRE SB 767-78A0079R3)<br>(FOR DETAILS SEE<br>FIG. 18)          | CA       | RF           |
| -2          | 315T4013-119 |                     | COWL ASSY-FAN DUCT<br>(LH SIDE, NO. 1 AND 2<br>ENG)(747) *[1]<br>(REWORKED BY<br>SB 747-78A2164)<br>(PRE SB 747-78A2164R3)<br>(FOR DETAILS SEE<br>FIG. 18) | CB       | RF           |
| -2A         | 315T4013-123 |                     | COWL ASSY-FAN DUCT<br>(LH SIDE, LH ENG)(767)<br>*[1]<br>(REWORKED BY<br>SB 767-78A0079)<br>(PRE SB 767-78A0079R3)<br>(FOR DETAILS SEE<br>FIG. 18)          | CC       | RF           |

**71-11-56**

ILLUSTRATED PARTS LIST  
01.1 Page 1020W  
Nov 01/04

| FIG. & ITEM | PART NO.     | AIRLINE PART NUMBER | NOMENCLATURE<br>1234567  | EFF CODE | QTY PER ASSY |
|-------------|--------------|---------------------|--|----------|--------------|
| 01-<br>-2B  | 315T4013-127 |                     | COWL ASSY-FAN DUCT<br>(LH SIDE, NO. 1 AND 2<br>ENG)(747) *[1]<br>(REWORKED BY<br>SB 747-78A2164)<br>(PRE SB 747-78A2164R3)<br>(FOR DETAILS SEE<br>FIG. 18) | CD       | RF           |
| -2C         | 315T4013-135 |                     | COWL ASSY-FAN DUCT<br>(LH SIDE, NO. 1 ENG)(767)<br>*[1]<br>(REWORKED BY<br>SB 767-78A0079)<br>(PRE SB 767-78A0079R3)<br>(FOR DETAILS SEE<br>FIG. 18)       | CE       | RF           |
| -2D         | 315T4013-145 |                     | COWL ASSY-FAN DUCT<br>(LH SIDE, NO. 1 ENG)(747)<br>*[1]<br>(REWORKED BY<br>SB 747-78A2164)<br>(PRE SB 747-78A2164R3)<br>(FOR DETAILS SEE<br>FIG. 18)       | CF       | RF           |
| -2E         | 315T4013-147 |                     | COWL ASSY-FAN DUCT<br>(LH SIDE, NO. 2 ENG)(747)<br>*[1]<br>(REWORKED BY<br>SB 747-78A2164)<br>(PRE SB 747-78A2164R3)<br>(FOR DETAILS SEE<br>FIG. 18)       | CG       | RF           |
| -2F         | 315T4013-165 |                     | COWL ASSY-FAN DUCT<br>(LH SIDE, NO. 1 ENG)(767)<br>*[1]<br>(REWORKED BY<br>SB 767-78A0079)<br>(PRE SB 767-78A0079R3)<br>(FOR DETAILS SEE<br>FIG. 18)       | DL       | RF           |

# 71-11-56

 ILLUSTRATED PARTS LIST  
 01.1 Page 1020X  
 Nov 01/04

 **BOEING**  
COMPONENT  
MAINTENANCE MANUAL

| FIG. & ITEM | PART NO.     | AIRLINE PART NUMBER | NOMENCLATURE<br>1234567  | EFF CODE | QTY PER ASSY |
|-------------|--------------|---------------------|--|----------|--------------|
| 01-<br>-2G  | 315T4013-169 |                     | COWL ASSY-FAN DUCT<br>(LH SIDE, NO. 1 ENG)(747)<br>*[1]<br>(REWORKED BY<br>SB 747-78A2164)<br>(PRE SB 747-78A2164R3)<br>(FOR DETAILS SEE<br>FIG. 18) | DM       | RF           |
| -2H         | 315T4013-171 |                     | COWL ASSY-FAN DUCT<br>(LH SIDE, NO. 2 ENG)(747)<br>*[1]<br>(REWORKED BY<br>SB 747-78A2164)<br>(PRE SB 747-78A2164R3)<br>(FOR DETAILS SEE<br>FIG. 18) | DN       | RF           |

**71-11-56**

ILLUSTRATED PARTS LIST  
01.1 Page 1020Y  
Nov 01/04

| FIG. & ITEM | PART NO.   | AIRLINE PART NUMBER | NOMENCLATURE<br>1234567  | EFF CODE | QTY PER ASSY |
|-------------|------------|---------------------|--|----------|--------------|
| 01-<br>-2J  | BCREFA4913 |                     | END ITEM-FAN DUCT COWL AND THRUST REVERSER<br>(THE COWL ASSYS (FIG. 1; 1Z, 2A, 2C, 2F, 2N, 10X, 10Z, 11A, 11D, 11J), DUCT INSTLS (FIG. 1; 506B, 506G, 506H), SYSTEM INSTLS (FIG. 4; 1G, 1M, 1N), BIFURCATION INSTLS (FIG. 5; 1L, 1R, 1S, 1X, 1Y, FIG. 7; 1C TO 1E, 1K, 1L), PANEL ASSYS (FIG. 5; 220F, 220L, 220M), SEAL INSTLS (FIG. 6; 1M, 1S, 1T, FIG. 23; 1A, 1F, 1G), RING ASSYS (FIG. 13; 1J, 1P, 1Q), FAIRING INSTLS (FIG. 17; 1C TO 1E, FIG. 22; 1A TO 1C), WALL ASSYS (FIG. 20; 1B, 1G, 1H), BRACKET ASSYS (FIG. 24; 1A, 1F, 1G) AND BOX INSTLS (FIG. 25; 1A, 1B, 1G, 1H, 1N TO 1R) ARE SUB ASSEMBLIES AND INSTALLATIONS OF THE FAN DUCT COWL AND THRUST REVERSER END ITEMS, PART NUMBERS 315T4295-( ) (LH SIDE), SEE CMM 78-31-47)<br>(P/N UNASSIGNED) | DS       | RF           |

# 71-11-56

 ILLUSTRATED PARTS LIST  
 01.1 Page 1020Z  
 Nov 01/04



**BOEING**  
COMPONENT  
MAINTENANCE MANUAL

| FIG. & ITEM | PART NO.     | AIRLINE PART NUMBER | NOMENCLATURE  | EFF CODE | QTY PER ASSY |
|-------------|--------------|---------------------|---|----------|--------------|
| 01-<br>-2K  | BCREFA4954   |                     | 1234567<br>END ITEM-FAN DUCT COWL AND THRUST REVERSER<br>(THE COWL ASSYS (FIG. 1; 2, 2B, 2D, 2E, 2G, 2H, 2L, 2M, 10Y, 11, 11B, 11C, 11E TO 11H), DUCT INSTLS (FIG. 1; 506B TO 506F), SYSTEM INSTLS FIG. 4; 1G TO 1L), BIFURCATION INSTLS (FIG. 5; 1L TO 1Q, 1T TO 1W, FIG. 7; 1C, 1F TO 1J, 1M TO 1Q), PANEL ASSYS (FIG. 5; 220F TO 220K), SEAL INSTLS (FIG. 6; 1M TO 1R, FIG. 23; 1A TO 1E), FAIRING INSTLS (FIG. 9; 1C TO 1U), RING ASSYS (FIG. 13; 1J TO 1N), WALL ASSYS (FIG. 20; 1B TO 1F), BRACKET ASSYS (FIG. 24; 1A TO 1E) AND BOX INSTLS (FIG. 25; 1A TO 1F, 1J TO 1M) ARE SUB ASSEMBLIES AND INSTALLATIONS OF THE FAN DUCT COWL AND THRUST REVERSER END ITEMS, PART NUMBERS 315U4295-( ) (LH SIDE), SEE CMM 78-31-48)<br>(P/N UNASSIGNED) | DT       | RF           |
| -2L         | 315T4013-177 |                     | COWL ASSY-FAN DUCT (LH SIDE, NO. 1 ENG)(747)<br>*[1]<br>(REWORKED BY SB 747-78A2164)<br>(PRE SB 747-78A2164R3)<br>(FOR DETAILS SEE FIG. 18)   | DW       | RF           |

71-11-56

| FIG. & ITEM | PART NO.     | AIRLINE PART NUMBER | NOMENCLATURE<br>1234567  | EFF CODE | QTY PER ASSY |
|-------------|--------------|---------------------|--|----------|--------------|
| 01-<br>-2M  | 315T4013-179 |                     | COWL ASSY-FAN DUCT<br>(LH SIDE, NO. 2 ENG)(747)<br>*[1]<br>(REWORKED BY<br>SB 747-78A2164)<br>(PRE SB 747-78A2164R3)<br>(FOR DETAILS SEE<br>FIG. 18) | DX       | RF           |
| -2N         | 315T4013-185 |                     | COWL ASSY-FAN DUCT<br>(LH SIDE, NO. 1 ENG)(767)<br>*[1]<br>(REWORKED BY<br>SB 767-78A0079)<br>(PRE SB 767-78A0079R3)<br>(FOR DETAILS SEE<br>FIG. 18) | DY       | RF           |
| -5          | 315T4013-2   |                     | DELETED  |          |              |
| -5A         | 315T4013-6   |                     | DELETED  |          |              |
| -5B         | 315T4013-22  |                     | DELETED  |          |              |
| -5C         | 315T4013-26  |                     | DELETED  |          |              |
| -5D         | 315T4013-38  |                     | COWL ASSY-FAN DUCT (REWORK)<br>(RH SIDE, LH ENG)(767)<br>*[1]<br>(REWORKED BY<br>SB 767-78A0079)<br>(PRE SB 767-78A0079R3)                           | E        | RF           |
| -5E         | 315T4013-30  |                     | COWL ASSY-FAN DUCT<br>(RH SIDE, LH ENG)(767)<br>*[1]<br>(REWORKED BY<br>SB 767-78A0079)<br>(PRE SB 767-78A0079R3)                                    | F        | RF           |

# 71-11-56

 ILLUSTRATED PARTS LIST  
 01.1 Page 1022  
 Nov 01/04

 **BOEING**  
COMPONENT  
MAINTENANCE MANUAL

| FIG. & ITEM | PART NO.                   | AIRLINE PART NUMBER | NOMENCLATURE<br>1234567  | EFF CODE | QTY PER ASSY |
|-------------|----------------------------|---------------------|--|----------|--------------|
| 01-<br>-5F  | 315T4013-34                |                     | COWL ASSY-FAN DUCT<br>(RH SIDE, NO. 1 AND 2<br>ENG)(747) *[1]<br>(REWORKED BY<br>SB 747-78A2164)<br>(PRE SB 747-78A2164R3)   | Q        | RF           |
| -5G         | 315T4013-46                |                     | COWL ASSY-FAN DUCT<br>(RH SIDE, NO. 1 AND 2<br>ENG)(747) *[1]<br>(REWORKED BY<br>SB 747-78A2164)<br>(PRE SB 747-78A2164R3)   | R        | RF           |
| -5H<br>-5J  | 315T4013-50<br>315T4013-68 |                     | DELETED<br>COWL ASSY-FAN DUCT<br>(RH SIDE, LH ENG)(767)<br>*[1]<br>(REWORKED BY<br>SB 767-78A0079)<br>(PRE SB 767-78A0079R3) | W        | RF           |
| -5K         | 315T4013-64                |                     | COWL ASSY-FAN DUCT<br>(RH SIDE, NO. 1 AND 2<br>ENG)(747) *[1]<br>(REWORKED BY<br>SB 747-78A2164)<br>(PRE SB 747-78A2164R3)   | X        | RF           |
| -5L         | 315U4009-10                |                     | COWL ASSY-FAN DUCT (REWORK)<br>(RH SIDE, LH ENGS)(747)   | AG       | RF           |
| -5M         | 315U4009-6                 |                     | COWL ASSY-FAN DUCT (REWORK)<br>(RH SIDE, LH ENG)(767)  | AH       | RF           |
| -5N         | 315T4013-72                |                     | COWL ASSY-FAN DUCT<br>(RH SIDE, NO. 1 AND 2<br>ENG)(747) *[1]<br>(REWORKED BY<br>SB 747-78A2164)<br>(PRE SB 747-78A2164R3)   | AS       | RF           |

71-11-56

ILLUSTRATED PARTS LIST  
01.1 Page 1022A  
Nov 01/04

| FIG. & ITEM | PART NO.     | AIRLINE PART NUMBER | NOMENCLATURE<br>1234567  | EFF CODE | QTY PER ASSY |
|-------------|--------------|---------------------|--|----------|--------------|
| 01-<br>-5P  | 315T4013-76  |                     | COWL ASSY-FAN DUCT<br>(RH SIDE, LH ENG)(767)<br>*[1]<br>(REWORKED BY<br>SB 767-78A0079)<br>(PRE SB 767-78A0079R3)          | AT       | RF           |
| -5Q         | 315U4009-22  |                     | COWL ASSY-FAN DUCT (REWORK)<br>(RH SIDE, LH ENGS)(747)   | AX       | RF           |
| -5R         | 315T4013-80  |                     | COWL ASSY-FAN DUCT<br>(RH SIDE, LH ENG)(767)<br>*[1]<br>(REWORKED BY<br>SB 767-78A0079)<br>(PRE SB 767-78A0079R3)          | BC       | RF           |
| -5S         | 315T4013-84  |                     | COWL ASSY-FAN DUCT<br>(RH SIDE, NO. 1 AND 2<br>ENG)(747) *[1]<br>(REWORKED BY<br>SB 747-78A2164)<br>(PRE SB 747-78A2164R3) | BD       | RF           |
| -5T         | 315T4013-100 |                     | COWL ASSY-FAN DUCT<br>(RH SIDE, LH ENG)(767)<br>*[1]<br>(REWORKED BY<br>SB 767-78A0079)<br>(PRE SB 767-78A0079R3)          | BL       | RF           |
| -5U         | 315T4013-104 |                     | COWL ASSY-FAN DUCT<br>(RH SIDE, NO. 1 AND 2<br>ENG)(747) *[1]<br>(REWORKED BY<br>SB 747-78A2164)<br>(PRE SB 747-78A2164R3) | BM       | RF           |

# 71-11-56

 ILLUSTRATED PARTS LIST  
 01.1 Page 1022B  
 Nov 01/04

| FIG. & ITEM | PART NO.     | AIRLINE PART NUMBER | NOMENCLATURE<br>1234567  | EFF CODE | QTY PER ASSY |
|-------------|--------------|---------------------|--|----------|--------------|
| 01-<br>-5V  | 315T4013-108 |                     | COWL ASSY-FAN DUCT<br>(RH SIDE, LH ENG)(767)<br>*[1]<br>(REWORKED BY<br>SB 767-78A0079)<br>(PRE SB 767-78A0079R3)  | BU       | RF           |
| -5W         | 315T4013-112 |                     | COWL ASSY-FAN DUCT<br>(RH SIDE, NO. 1 AND 2<br>ENG)(747) *[1]<br>(REWORKED BY<br>SB 747-78A2164)<br>(PRE SB 747-78A2164R3)                                 | BV       | RF           |
| -5X         | 315T4013-116 |                     | COWL ASSY-FAN DUCT<br>(RH SIDE, LH ENG)(767)<br>*[1]<br>(REWORKED BY<br>SB 767-78A0079)<br>(PRE SB 767-78A0079R3)<br>(FOR DETAILS SEE<br>FIG. 18)          | CH       | RF           |
| -5Y         | 315T4013-120 |                     | COWL ASSY-FAN DUCT<br>(RH SIDE, NO. 1 AND 2<br>ENG)(747) *[1]<br>(REWORKED BY<br>SB 747-78A2164)<br>(PRE SB 747-78A2164R3)<br>(FOR DETAILS SEE<br>FIG. 18) | CJ       | RF           |
| -5Z         | 315T4013-124 |                     | COWL ASSY-FAN DUCT<br>(RH SIDE, LH ENG)(767)<br>*[1]<br>(REWORKED BY<br>SB 767-78A0079)<br>(PRE SB 767-78A0079R3)<br>(FOR DETAILS SEE<br>FIG. 18)          | CK       | RF           |

**71-11-56**

ILLUSTRATED PARTS LIST  
01.1 Page 1022C  
Nov 01/04

| FIG. & ITEM | PART NO.     | AIRLINE PART NUMBER | NOMENCLATURE<br>1234567  | EFF CODE | QTY PER ASSY |
|-------------|--------------|---------------------|--|----------|--------------|
| 01-<br>-6   | 315T4013-128 |                     | COWL ASSY-FAN DUCT<br>(RH SIDE, NO. 1 AND 2<br>ENG)(747) *[1]<br>(REWORKED BY<br>SB 747-78A2164)<br>(PRE SB 747-78A2164R3)<br>(FOR DETAILS SEE<br>FIG. 18) | CL       | RF           |
| -6A         | 315T4013-136 |                     | COWL ASSY-FAN DUCT<br>(RH SIDE, NO. 1 ENG)(767)<br>*[1]<br>(REWORKED BY<br>SB 767-78A0079)<br>(PRE SB 767-78A0079R3)<br>(FOR DETAILS SEE<br>FIG. 18)       | CM       | RF           |
| -6B         | 315T4013-146 |                     | COWL ASSY-FAN DUCT<br>(RH SIDE, NO. 1 ENG)(747)<br>*[1]<br>(REWORKED BY<br>SB 747-78A2164)<br>(PRE SB 747-78A2164R3)<br>(FOR DETAILS SEE<br>FIG. 18)       | CN       | RF           |
| -6C         | 315T4013-148 |                     | COWL ASSY-FAN DUCT<br>(RH SIDE, NO. 2 ENG)(747)<br>*[1]<br>(REWORKED BY<br>SB 747-78A2164)<br>(PRE SB 747-78A2164R3)<br>(FOR DETAILS SEE<br>FIG. 18)       | CP       | RF           |

# 71-11-56

 ILLUSTRATED PARTS LIST  
 01.1 Page 1022D  
 Nov 01/04

 **BOEING**  
COMPONENT  
MAINTENANCE MANUAL

| FIG. & ITEM | PART NO.     | AIRLINE PART NUMBER | NOMENCLATURE<br>1234567  | EFF CODE | QTY PER ASSY |
|-------------|--------------|---------------------|--|----------|--------------|
| 01-<br>-6D  | 315T4013-154 |                     | COWL ASSY-FAN DUCT<br>(RH SIDE, NO. 1 ENG)(767)<br>*[1]<br>(REWORKED BY<br>SB 767-78A0079)<br>(PRE SB 767-78A0079R3)<br>(FOR DETAILS SEE<br>FIG. 18) | CQ       | RF           |
| -6E         | 315T4013-158 |                     | COWL ASSY-FAN DUCT<br>(RH SIDE, NO. 1 ENG)(747)<br>*[1]<br>(REWORKED BY<br>SB 747-78A2164)<br>(PRE SB 747-78A2164R3)<br>(FOR DETAILS SEE<br>FIG. 18) | CR       | RF           |
| -6F         | 315T4013-160 |                     | COWL ASSY-FAN DUCT<br>(RH SIDE, NO. 2 ENG)(747)<br>*[1]<br>(REWORKED BY<br>SB 747-78A2164)<br>(PRE SB 747-78A2164R3)<br>(FOR DETAILS SEE<br>FIG. 18) | CS       | RF           |

**71-11-56**

ILLUSTRATED PARTS LIST  
01.1 Page 1022E  
Nov 01/04

| FIG. & ITEM | PART NO.   | AIRLINE PART NUMBER | NOMENCLATURE<br>1234567  | EFF CODE | QTY PER ASSY |
|-------------|------------|---------------------|--|----------|--------------|
| 01-6G       | BCREFA4914 |                     | END ITEM-FAN DUCT COWL AND THRUST REVERSER<br>(THE COWL ASSYS (FIG. 1; 5X, 5Z, 6A, 6D, 6L, 15Z, 16A, 16C, 16F, 16L), DUCT INSTLS (FIG. 1; 508D, 508J, 508K, FIG. 3; 1G, FIG. 12; 1A, 1F, 1G, FIG. 21; 1A, 1F, 1G), BIFURCATION INSTLS (FIG. 5; 3L, 3R, 3S, 3X, 3Y, FIG. 7; 5C THRU 5E), PANEL ASSYS (FIG. 5; 225F, 225L, 225M), SEAL INSTLS (FIG. 6; 5K, 5Q, 5R, FIG. 23; 5, 5E, 5F), SIGNAL INSTLS (FIG. 7; 556A, 556F, 556G), DOOR ASSYS (FIG. 7; 660F, FIG. 14; 1A, 1B, 1G, 1H), DRAIN INSTLS (FIG. 11; 1D, 1E, 1L, 1M), RING ASSYS (FIG. 13; 5J, 5P, 5Q), FAIRING INSTLS (FIG. 17; 5B THRU 5D, FIG. 22; 5 THRU 5B), WALL ASSYS (FIG. 20; 5A, 5F, 5G), BRACKET ASSYS (FIG. 24; 5, 5E, 5F) AND BOX INSTLS (FIG. 25; 5, 5A, 5F, 5G, 5M, 5N) ARE SUB ASSEMBLIES AND INSTALLATIONS OF THE FAN DUCT COWL AND THRUST REVERSER END ITEMS, PART NUMBERS 315T4295-( ) (RH SIDE), SEE CMM 78-31-47)<br>(P/N UNASSIGNED) | DU       | RF           |

# 71-11-56

 ILLUSTRATED PARTS LIST  
 01.1 Page 1022F  
 Nov 01/04





**BOEING**  
COMPONENT  
MAINTENANCE MANUAL

| FIG. & ITEM | PART NO.   | AIRLINE PART NUMBER | NOMENCLATURE   | EFF CODE | QTY PER ASSY |
|-------------|------------|---------------------|--|----------|--------------|
| 01-6H       | BCREFA4955 |                     | 1234567<br>END ITEM-FAN DUCT COWL AND THRUST REVERSER<br>(THE COWL ASSYS (FIG. 1; 5Y, 6, 6B, 6C, 6E, 6F, 6J, 6K, 9A, 16B, 16D, 16E, 16G TO 16K), DUCT INSTLS (FIG. 1; 508D TO 508H, FIG. 3; 1G, FIG. 12; 1A TO 1E, FIG. 21; 1A TO 1E), BIFURCATION INSTLS (FIG. 5; 3L TO 3Q, 3T TO 3W, FIG. 7; 5C, 5F TO 5J), PANEL ASSYS (FIG. 5; 225F TO 225K), SEAL INSTLS (FIG. 6; 5K TO 5P, FIG. 23; 5 TO 5D), SIGNAL INSTLS (FIG. 7; 556A TO 556E), DOOR ASSYS (FIG. 7; 660F, FIG. 14; 1C TO 1F, 1J TO 1M), FAIRING INSTLS (FIG. 9; 5C TO 5U), DRAIN INSTLS (FIG. 11; 1D TO 1K), RING ASSYS (FIG. 13; 5J TO 5N), WALL ASSYS (FIG. 20; 5A TO 5E), BRACKET ASSYS (FIG. 24; 5 TO 5D) AND BOX INSTLS (5 TO 5E, 5H TO 5L) ARE SUB ASSEMBLIES AND INSTALLATIONS OF THE FAN DUCT COWL AND THRUST REVERSER END ITEMS, PART NUMBERS 315U4295-( ) (RH SIDE), SEE CMM 78-31-48)<br>(P/N UNASSIGNED) | DV       | RF           |

71-11-56

ILLUSTRATED PARTS LIST  
01.1 Page 1022G  
Nov 01/04

| FIG. & ITEM | PART NO.     | AIRLINE PART NUMBER | NOMENCLATURE<br>1234567  | EFF CODE | QTY PER ASSY |
|-------------|--------------|---------------------|--|----------|--------------|
| 01-<br>-6J  | 315T4013-176 |                     | COWL ASSY-FAN DUCT<br>(RH SIDE, NO. 1 ENG)(747)<br>*[1]<br>(REWORKED BY<br>SB 747-78A2164)<br>(PRE SB 747-78A2164R3)<br>(FOR DETAILS SEE<br>FIG. 18) | DZ       | RF           |
| -6K         | 315T4013-178 |                     | COWL ASSY-FAN DUCT<br>(RH SIDE, NO. 2 ENG)(747)<br>*[1]<br>(REWORKED BY<br>SB 747-78A2164)<br>(PRE SB 747-78A2164R3)<br>(FOR DETAILS SEE<br>FIG. 18) | EA       | RF           |
| -6L         | 315T4013-186 |                     | COWL ASSY-FAN DUCT<br>(RH SIDE, NO. 1 ENG)(767)<br>*[1]<br>(REWORKED BY<br>SB 767-78A0079)<br>(PRE SB 767-78A0079R3)<br>(FOR DETAILS SEE<br>FIG. 18) | EB       | RF           |
| -10         | 315T4013-3   |                     | DELETED  |          |              |
| -10A        | 315T4013-7   |                     | DELETED  |          |              |
| -10B        | 315T4013-23  |                     | DELETED  |          |              |
| -10C        | 315T4013-27  |                     | DELETED  |          |              |
| -10D        | 315T4013-39  |                     | DELETED  |          |              |

# 71-11-56

 ILLUSTRATED PARTS LIST  
 01.1 Page 1022H  
 Nov 01/04

 **BOEING**  
COMPONENT  
MAINTENANCE MANUAL

| FIG. & ITEM  | PART NO.                   | AIRLINE PART NUMBER | NOMENCLATURE<br>1234567  | EFF CODE | QTY PER ASSY |
|--------------|----------------------------|---------------------|--|----------|--------------|
| 01-<br>-10E  | 315T4013-31                |                     | COWL ASSY-FAN DUCT<br>(LH SIDE, RH ENG)(767)<br>*[1]<br>(REWORKED BY<br>SB 767-78A0079)<br>(PRE SB 767-78A0079R3)            | D        | RF           |
| -10F         | 315T4013-35                |                     | COWL ASSY-FAN DUCT<br>(LH SIDE, NO. 3 AND 4<br>ENG)(747) *[1]<br>(REWORKED BY<br>SB 747-78A2164)<br>(PRE SB 747-78A2164R3)   | M        | RF           |
| -10G         | 315T4013-47                |                     | COWL ASSY-FAN DUCT<br>(LH SIDE, NO. 3 AND 4<br>ENG)(747) *[1]<br>(REWORKED BY<br>SB 747-78A2164)<br>(PRE SB 747-78A2164R3)   | N        | RF           |
| -10H<br>-10J | 315T4013-51<br>315T4013-69 |                     | DELETED<br>COWL ASSY-FAN DUCT<br>(LH SIDE, RH ENG)(767)<br>*[1]<br>(REWORKED BY<br>SB 767-78A0079)<br>(PRE SB 767-78A0079R3) | Y        | RF           |
| -10K         | 315T4013-65                |                     | COWL ASSY-FAN DUCT<br>(LH SIDE, NO. 3 AND 4<br>ENG)(747) *[1]<br>(REWORKED BY<br>SB 747-78A2164)<br>(PRE SB 747-78A2164R3)   | Z        | RF           |

71-11-56

ILLUSTRATED PARTS LIST  
01.1 Page 1022I  
Nov 01/04

| FIG. & ITEM | PART NO.    | AIRLINE PART NUMBER | NOMENCLATURE<br>1234567  | EFF CODE | QTY PER ASSY |
|-------------|-------------|---------------------|--|----------|--------------|
| 01-<br>-10L | 315U4009-11 |                     | COWL ASSY-FAN DUCT (REWORK)<br>(LH SIDE, RH ENGS)(747)   | AJ       | RF           |
| -10M        | 315U4009-7  |                     | COWL ASSY-FAN DUCT (REWORK)<br>(LH SIDE, RH ENG)(767)  | AK       | RF           |
| -10N        | 315T4013-73 |                     | COWL ASSY-FAN DUCT<br>(LH SIDE, NO. 3 AND 4<br>ENG)(747) *[1]<br>(REWORKED BY<br>SB 747-78A2164)<br>(PRE SB 747-78A2164R3) | AQ       | RF           |
| -10P        | 315T4013-77 |                     | COWL ASSY-FAN DUCT<br>(LH SIDE, RH ENG)(767)<br>*[1]<br>(REWORKED BY<br>SB 767-78A0079)<br>(PRE SB 767-78A0079R3)          | AR       | RF           |
| -10Q        | 315U4009-23 |                     | COWL ASSY-FAN DUCT (REWORK)<br>(LH SIDE, RH ENGS)(747)   | AY       | RF           |
| -10R        | 315T4013-81 |                     | COWL ASSY-FAN DUCT<br>(LH SIDE, RH ENG)(767)<br>*[1]<br>(REWORKED BY<br>SB 767-78A0079)<br>(PRE SB 767-78A0079R3)          | BE       | RF           |
| -10S        | 315T4013-85 |                     | COWL ASSY-FAN DUCT<br>(LH SIDE, NO. 3 AND 4<br>ENG)(747) *[1]<br>(REWORKED BY<br>SB 747-78A2164)<br>(PRE SB 747-78A2164R3) | BF       | RF           |

# 71-11-56

| FIG. & ITEM | PART NO.     | AIRLINE PART NUMBER | NOMENCLATURE<br>1234567   | EFF CODE | QTY PER ASSY |
|-------------|--------------|---------------------|---|----------|--------------|
| 01-<br>-10T | 315T4013-101 |                     | COWL ASSY-FAN DUCT<br>(LH SIDE, RH ENG)(767)<br>*[1]<br>(REWORKED BY<br>SB 767-78A0079)<br>(PRE SB 767-78A0079R3)                                 | BN       | RF           |
| -10U        | 315T4013-105 |                     | COWL ASSY-FAN DUCT<br>(LH SIDE, NO. 3 AND 4<br>ENG)(747) *[1]<br>(REWORKED BY<br>SB 747-78A2164)<br>(PRE SB 747-78A2164R3)                        | BP       | RF           |
| -10V        | 315T4013-109 |                     | COWL ASSY-FAN DUCT<br>(LH SIDE, RH ENG)(767)<br>*[1]<br>(REWORKED BY<br>SB 767-78A0079)<br>(PRE SB 767-78A0079R3)                                 | BW       | RF           |
| -10W        | 315T4013-113 |                     | COWL ASSY-FAN DUCT<br>(LH SIDE, NO. 3 AND 4<br>ENG)(747) *[1]<br>(REWORKED BY<br>SB 747-78A2164)<br>(PRE SB 747-78A2164R3)                        | BX       | RF           |
| -10X        | 315T4013-117 |                     | COWL ASSY-FAN DUCT<br>(LH SIDE, RH ENG)(767)<br>*[1]<br>(REWORKED BY<br>SB 767-78A0079)<br>(PRE SB 767-78A0079R3)<br>(FOR DETAILS SEE<br>FIG. 18) | CT       | RF           |

**71-11-56**

ILLUSTRATED PARTS LIST  
01.1 Page 1022K  
Nov 01/04

| FIG. & ITEM | PART NO.     | AIRLINE PART NUMBER | NOMENCLATURE<br>1234567  | EFF CODE | QTY PER ASSY |
|-------------|--------------|---------------------|--|----------|--------------|
| 01-<br>-10Y | 315T4013-121 |                     | COWL ASSY-FAN DUCT<br>(LH SIDE, NO. 3 AND 4<br>ENG)(747) *[1]<br>(REWORKED BY<br>SB 747-78A2164)<br>(PRE SB 747-78A2164R3)<br>(FOR DETAILS SEE<br>FIG. 18) | CU       | RF           |
| -10Z        | 315T4013-125 |                     | COWL ASSY-FAN DUCT<br>(LH SIDE, RH ENG)(767)<br>*[1]<br>(REWORKED BY<br>SB 767-78A0079)<br>(PRE SB 767-78A0079R3)<br>(FOR DETAILS SEE<br>FIG. 18)          | CV       | RF           |
| -11         | 315T4013-131 |                     | COWL ASSY-FAN DUCT<br>(LH SIDE, NO. 3 AND 4<br>ENG)(747) *[1]<br>(REWORKED BY<br>SB 747-78A2164)<br>(PRE SB 747-78A2164R3)<br>(FOR DETAILS SEE<br>FIG. 18) | CW       | RF           |
| -11A        | 315T4013-137 |                     | COWL ASSY-FAN DUCT<br>(LH SIDE, NO. 2 ENG)(767)<br>*[1]<br>(REWORKED BY<br>SB 767-78A0079)<br>(PRE SB 767-78A0079R3)<br>(FOR DETAILS SEE<br>FIG. 18)       | CX       | RF           |
| -11B        | 315T4013-149 |                     | COWL ASSY-FAN DUCT<br>(LH SIDE, NO. 3 ENG)(747)<br>*[1]<br>(REWORKED BY<br>SB 747-78A2164)<br>(PRE SB 747-78A2164R3)<br>(FOR DETAILS SEE<br>FIG. 18)       | CY       | RF           |

# 71-11-56

 ILLUSTRATED PARTS LIST  
 01.1 Page 1022L  
 Nov 01/04

 **BOEING**  
COMPONENT  
MAINTENANCE MANUAL

| FIG. & ITEM | PART NO.     | AIRLINE PART NUMBER | NOMENCLATURE<br>1234567  | EFF CODE | QTY PER ASSY |
|-------------|--------------|---------------------|--|----------|--------------|
| 01-<br>-11C | 315T4013-151 |                     | COWL ASSY-FAN DUCT<br>(LH SIDE, NO. 4 ENG)(747)<br>*[1]<br>(REWORKED BY<br>SB 747-78A2164)<br>(PRE SB 747-78A2164R3)<br>(FOR DETAILS SEE<br>FIG. 18) | CZ       | RF           |
| -11D        | 315T4013-167 |                     | COWL ASSY-FAN DUCT<br>(LH SIDE, NO. 2 ENG)(767)<br>*[1]<br>(REWORKED BY<br>SB 767-78A0079)<br>(PRE SB 767-78A0079R3)<br>(FOR DETAILS SEE<br>FIG. 18) | DP       | RF           |
| -11E        | 315T4013-173 |                     | COWL ASSY-FAN DUCT<br>(LH SIDE, NO. 3 ENG)(747)<br>*[1]<br>(REWORKED BY<br>SB 747-78A2164)<br>(PRE SB 747-78A2164R3)<br>(FOR DETAILS SEE<br>FIG. 18) | DQ       | RF           |
| -11F        | 315T4013-175 |                     | COWL ASSY-FAN DUCT<br>(LH SIDE, NO. 4 ENG)(747)<br>*[1]<br>(REWORKED BY<br>SB 747-78A2164)<br>(PRE SB 747-78A2164R3)<br>(FOR DETAILS SEE<br>FIG. 18) | DR       | RF           |
| -11G        | 315T4013-181 |                     | COWL ASSY-FAN DUCT<br>(LH SIDE, NO. 3 ENG)(747)<br>*[1]<br>(REWORKED BY<br>SB 747-78A2164)<br>(PRE SB 747-78A2164R3)<br>(FOR DETAILS SEE<br>FIG. 18) | EC       | RF           |

**71-11-56**

ILLUSTRATED PARTS LIST  
01.1 Page 1022M  
Nov 01/04

| FIG. & ITEM | PART NO.     | AIRLINE PART NUMBER | NOMENCLATURE<br>1234567  | EFF CODE | QTY PER ASSY |
|-------------|--------------|---------------------|--|----------|--------------|
| 01-<br>-11H | 315T4013-183 |                     | COWL ASSY-FAN DUCT<br>(LH SIDE, NO. 4 ENG)(747)<br>*[1]<br>(REWORKED BY<br>SB 747-78A2164)<br>(PRE SB 747-78A2164R3)<br>(FOR DETAILS SEE<br>FIG. 18) | ED       | RF           |
| -11J        | 315T4013-187 |                     | COWL ASSY-FAN DUCT<br>(LH SIDE, NO. 2 ENG)(767)<br>*[1]<br>(REWORKED BY<br>SB 767-78A0079)<br>(PRE SB 767-78A0079R3)<br>(FOR DETAILS SEE<br>FIG. 18) | EE       | RF           |
| -15         | 315T4013-4   |                     | DELETED  |          |              |
| -15A        | 315T4013-8   |                     | DELETED  |          |              |
| -15B        | 315T4013-24  |                     | DELETED  |          |              |
| -15C        | 315T4013-28  |                     | DELETED  |          |              |
| -15D        | 315T4013-40  |                     | DELETED  |          |              |
| -15E        | 315T4013-32  |                     | COWL ASSY-FAN DUCT<br>(RH SIDE, RH ENG)(767)<br>*[1]<br>(REWORKED BY<br>SB 767-78A0079)<br>(PRE SB 767-78A0079R3)                                    | H        | RF           |
| -15F        | 315T4013-36  |                     | COWL ASSY-FAN DUCT<br>(RH SIDE, NO. 3 AND 4<br>ENG)(747) *[1]<br>(REWORKED BY<br>SB 747-78A2164)<br>(PRE SB 747-78A2164R3)                           | T        | RF           |

# 71-11-56



 **BOEING**  
COMPONENT  
MAINTENANCE MANUAL

| FIG. & ITEM  | PART NO.                   | AIRLINE PART NUMBER | NOMENCLATURE<br>1234567   | EFF CODE | QTY PER ASSY |
|--------------|----------------------------|---------------------|---|----------|--------------|
| 01-<br>-15G  | 315T4013-48                |                     | COWL ASSY-FAN DUCT<br>(RH SIDE, NO. 3 AND 4<br>ENG)(747) *[1]<br>(REWORKED BY<br>SB 747-78A2164)<br>(PRE SB 747-78A2164R3)            | U        | RF           |
| -15H<br>-15J | 315T4013-52<br>315T4013-60 |                     | DELETED<br>COWL ASSY-FAN DUCT (REWORK)<br>(RH SIDE, RH ENG)(767)<br>*[1]<br>(REWORKED BY<br>SB 767-78A0079)<br>(PRE SB 767-78A0079R3) | AA       | RF           |
| -15K<br>-15L | 315T4013-62<br>315T4013-70 |                     | DELETED<br>COWL ASSY-FAN DUCT<br>(RH SIDE, RH ENG)(767)<br>*[1]<br>(REWORKED BY<br>SB 767-78A0079)<br>(PRE SB 767-78A0079R3)          | AC       | RF           |
| -15M         | 315T4013-66                |                     | COWL ASSY-FAN DUCT<br>(RH SIDE, NO. 3 AND 4<br>ENG)(747) *[1]<br>(REWORKED BY<br>SB 747-78A2164)<br>(PRE SB 747-78A2164R3)            | AD       | RF           |
| -15N         | 315U4009-12                |                     | COWL ASSY-FAN DUCT (REWORK)<br>(RH SIDE, RH ENGS)(747)  | AL       | RF           |
| -15P         | 315U4009-8                 |                     | COWL ASSY-FAN DUCT (REWORK)<br>(RH SIDE, RH ENG)(767)   | AM       | RF           |
| -15Q         | 315T4013-74                |                     | COWL ASSY-FAN DUCT<br>(RH SIDE, NO. 3 AND 4<br>ENG)(747) *[1]<br>(REWORKED BY<br>SB 747-78A2164)<br>(PRE SB 747-78A2164R3)            | AU       | RF           |

71-11-56

ILLUSTRATED PARTS LIST  
01.1 Page 10220  
Nov 01/04

| FIG. & ITEM | PART NO.     | AIRLINE PART NUMBER | NOMENCLATURE<br>1234567  | EFF CODE | QTY PER ASSY |
|-------------|--------------|---------------------|--|----------|--------------|
| 01-<br>-15R | 315T4013-78  |                     | COWL ASSY-FAN DUCT<br>(RH SIDE, RH ENG)(767)<br>*[1]<br>(REWORKED BY<br>SB 767-78A0079)<br>(PRE SB 767-78A0079R3)          | AV       | RF           |
| -15S        | 315U4009-24  |                     | COWL ASSY-FAN DUCT (REWORK)<br>(RH SIDE, RH ENGS)(747)   | AZ       | RF           |
| -15T        | 315T4013-82  |                     | COWL ASSY-FAN DUCT<br>(RH SIDE, RH ENG)(767)<br>*[1]<br>(REWORKED BY<br>SB 767-78A0079)<br>(PRE SB 767-78A0079R3)          | BG       | RF           |
| -15U        | 315T4013-86  |                     | COWL ASSY-FAN DUCT<br>(RH SIDE, NO. 3 AND 4<br>ENG)(747) *[1]<br>(REWORKED BY<br>SB 747-78A2164)<br>(PRE SB 747-78A2164R3) | BH       | RF           |
| -15V        | 315T4013-102 |                     | COWL ASSY-FAN DUCT<br>(RH SIDE, RH ENG)(767)<br>*[1]<br>(REWORKED BY<br>SB 767-78A0079)<br>(PRE SB 767-78A0079R3)          | BQ       | RF           |
| -15W        | 315T4013-106 |                     | COWL ASSY-FAN DUCT<br>(RH SIDE, NO. 3 AND 4<br>ENG)(747) *[1]<br>(REWORKED BY<br>SB 747-78A2164)<br>(PRE SB 747-78A2164R3) | BR       | RF           |

# 71-11-56

 ILLUSTRATED PARTS LIST  
 01.1 Page 1022P  
 Nov 01/04



**BOEING**  
COMPONENT  
MAINTENANCE MANUAL

| FIG. & ITEM | PART NO.     | AIRLINE PART NUMBER | NOMENCLATURE<br>1234567  | EFF CODE | QTY PER ASSY |
|-------------|--------------|---------------------|--|----------|--------------|
| 01-<br>-15X | 315T4013-110 |                     | COWL ASSY-FAN DUCT<br>(RH SIDE, RH ENG)(767)<br>*[1]<br>(REWORKED BY<br>SB 767-78A0079)<br>(PRE SB 767-78A0079R3)  | BY       | RF           |
| -15Y        | 315T4013-114 |                     | COWL ASSY-FAN DUCT<br>(RH SIDE, NO. 3 AND 4<br>ENG)(747) *[1]<br>(REWORKED BY<br>SB 747-78A2164)<br>(PRE SB 747-78A2164R3)                                 | BZ       | RF           |
| -15Z        | 315T4013-118 |                     | COWL ASSY-FAN DUCT<br>(RH SIDE, RH ENG)(767)<br>*[1]<br>(REWORKED BY<br>SB 767-78A0079)<br>(PRE SB 767-78A0079R3)<br>(FOR DETAILS SEE<br>FIG. 18)          | DA       | RF           |
| -16         | 315T4013-122 |                     | COWL ASSY-FAN DUCT<br>(RH SIDE, NO. 3 AND 4<br>ENG)(747) *[1]<br>(REWORKED BY<br>SB 747-78A2164)<br>(PRE SB 747-78A2164R3)<br>(FOR DETAILS SEE<br>FIG. 18) | DB       | RF           |
| -16A        | 315T4013-126 |                     | COWL ASSY-FAN DUCT<br>(RH SIDE, RH ENG)(767)<br>*[1]<br>(REWORKED BY<br>SB 767-78A0079)<br>(PRE SB 767-78A0079R3)<br>(FOR DETAILS SEE<br>FIG. 18)          | DC       | RF           |

71-11-56

ILLUSTRATED PARTS LIST  
01.1 Page 1022Q  
Nov 01/04

| FIG. & ITEM | PART NO.     | AIRLINE PART NUMBER | NOMENCLATURE<br>1234567  | EFF CODE | QTY PER ASSY |
|-------------|--------------|---------------------|--|----------|--------------|
| 01-<br>-16B | 315T4013-132 |                     | COWL ASSY-FAN DUCT<br>(RH SIDE, NO. 3 AND 4<br>ENG)(747) *[1]<br>(REWORKED BY<br>SB 747-78A2164)<br>(PRE SB 747-78A2164R3)<br>(FOR DETAILS SEE<br>FIG. 18) | DD       | RF           |
| -16C        | 315T4013-138 |                     | COWL ASSY-FAN DUCT<br>(RH SIDE, NO. 2 ENG)(767)<br>*[1]<br>(REWORKED BY<br>SB 767-78A0079)<br>(PRE SB 767-78A0079R3)<br>(FOR DETAILS SEE<br>FIG. 18)       | DE       | RF           |
| -16D        | 315T4013-150 |                     | COWL ASSY-FAN DUCT<br>(RH SIDE, NO. 3 ENG)(747)<br>*[1]<br>(REWORKED BY<br>SB 747-78A2164)<br>(PRE SB 747-78A2164R3)<br>(FOR DETAILS SEE<br>FIG. 18)       | DF       | RF           |
| -16E        | 315T4013-152 |                     | COWL ASSY-FAN DUCT<br>(RH SIDE, NO. 4 ENG)(747)<br>*[1]<br>(REWORKED BY<br>SB 747-78A2164)<br>(PRE SB 747-78A2164R3)<br>(FOR DETAILS SEE<br>FIG. 18)       | DG       | RF           |

# 71-11-56

 ILLUSTRATED PARTS LIST  
 01.1 Page 1022R  
 Nov 01/04

 **BOEING**  
COMPONENT  
MAINTENANCE MANUAL

| FIG. & ITEM | PART NO.     | AIRLINE PART NUMBER | NOMENCLATURE<br>1234567  | EFF CODE | QTY PER ASSY |
|-------------|--------------|---------------------|--|----------|--------------|
| 01-<br>-16F | 315T4013-156 |                     | COWL ASSY-FAN DUCT<br>(RH SIDE, NO. 2 ENG)(767)<br>*[1]<br>(REWORKED BY<br>SB 767-78A0079)<br>(PRE SB 767-78A0079R3)<br>(FOR DETAILS SEE<br>FIG. 18) | DH       | RF           |
| -16G        | 315T4013-162 |                     | COWL ASSY-FAN DUCT<br>(RH SIDE, NO. 3 ENG)(747)<br>*[1]<br>(REWORKED BY<br>SB 747-78A2164)<br>(PRE SB 747-78A2164R3)<br>(FOR DETAILS SEE<br>FIG. 18) | DJ       | RF           |
| -16H        | 315T4013-164 |                     | COWL ASSY-FAN DUCT<br>(RH SIDE, NO. 4 ENG)(747)<br>*[1]<br>(REWORKED BY<br>SB 747-78A2164)<br>(PRE SB 747-78A2164R3)<br>(FOR DETAILS SEE<br>FIG. 18) | DK       | RF           |
| -16J        | 315T4013-180 |                     | COWL ASSY-FAN DUCT<br>(RH SIDE, NO. 3 ENG)(747)<br>*[1]<br>(REWORKED BY<br>SB 747-78A2164)<br>(PRE SB 747-78A2164R3)<br>(FOR DETAILS SEE<br>FIG. 18) | EF       | RF           |

**71-11-56**

ILLUSTRATED PARTS LIST  
01.1 Page 1022S  
Nov 01/04

| FIG. & ITEM | PART NO.     | AIRLINE PART NUMBER | NOMENCLATURE<br>1234567   | EFF CODE  | QTY PER ASSY |
|-------------|--------------|---------------------|---|---|--------------|
| 01-<br>-16K | 315T4013-182 |                     | COWL ASSY-FAN DUCT<br>(RH SIDE, NO. 4 ENG)(747)<br>*[1]<br>REWORKED BY<br>B 747-78A2164)<br>PRE SB 747-78A2164R3)<br>FOR DETAILS SEE<br>IG. 18) | EG  | RF           |
| -16L        | 315T4013-188 |                     | COW ASSY-FAN DUCT<br>(H SIDE, NO. 2 ENG)(767)<br>*[1]<br>REWORKED BY<br>B 767-78A0079)<br>PRE SB 767-78A0079R3)<br>FOR DETAILS SEE<br>IG. 18)   | EH  | RF           |
| 20          | 315T4210-1   |                     | .CASCADE ASSY-RADIAL FLOW<br>(315T4210-1 WITH ITS<br>ATTACHING PARTS I/W<br>315T3210-3 OR -9 T/W ITS<br>ATTACHING PARTS)                        | A-D,<br>J-N,V<br>,Y,Z,<br>AE,AF<br>,AJ,A<br>K<br>AN-AR<br>,AW,A<br>Y,BA,<br>BB,BE<br>,BF<br>BJ,BK<br>,BN,B<br>P,BS,<br>BT,BW<br>,BX | 1            |

# 71-11-56

 ILLUSTRATED PARTS LIST  
 01.1 Page 1022T  
 Nov 01/04

 **BOEING**  
COMPONENT  
MAINTENANCE MANUAL

| FIG. & ITEM | PART NO.   | AIRLINE PART NUMBER | NOMENCLATURE<br>1234567  | EFF CODE   | QTY PER ASSY |
|-------------|------------|---------------------|--|--|--------------|
| 01-23       | 315T4210-2 |                     | .CASCADE ASSY-RADIAL FLOW<br>(315T4210-2 WITH ITS<br>ATTACHING PARTS I/W<br>315T3210-4 OR -10 T/W<br>ITS ATTACHING PARTS)                  | E,F,H<br>,Q,R,<br>T,U,W<br>,X,AA<br>,AC<br>AD,AG<br>,AH,A<br>L,AM,<br>AS-AX<br>,AZ<br>BC,BD<br>,BG,B<br>H,BL,<br>BM,BQ<br>,BR<br>BU,BV<br>,BY,B<br>Z | 1            |
| 26          | BACR15CE3B |                     | ..RIVET-<br>(SIZE DETERMINE ON INST)   | A-F,<br>H-N,Q<br>,R,<br>T-AA,<br>AC-BZ   | 8            |
| 29          | BRF100C4D  |                     | ..NUTPLATE-<br>(V52828)<br>(SPEC BACN10KB4CFD)<br>(OPT F51604-4<br>(V15653))<br>(OPT 102F9207P4<br>(V72962))<br>(OPT F51604-4<br>(V15653)) | A-F,<br>H-N,Q<br>,R,<br>T-AA,<br>AC-BZ   | 2            |

71-11-56

ILLUSTRATED PARTS LIST  
01.1 Page 1022U  
Nov 01/04

| FIG. & ITEM | PART NO.    | AIRLINE PART NUMBER | NOMENCLATURE<br>1234567  | EFF CODE                              | QTY PER ASSY |
|-------------|-------------|---------------------|--|---------------------------------------|--------------|
| 01-32       | 315T4210-10 |                     | ..SPACER-RADIUS FILLER   | A-F,<br>H-N,Q<br>R,<br>T-AA,<br>AC-BZ | 2            |
| 35          | BRF200C4D   |                     | ..NUTPLATE-<br>(V52828)<br>(SPEC BACN10JR4CFD)<br>(OPT K51602-4BAC<br>(V15653))<br>(OPT NS202476-048<br>(V80539))<br>(OPT 102F9201-4<br>(V72962))<br>(OPT T8092C428CD<br>(V11815)) | A-F,<br>H-N,Q<br>R,<br>T-AA,<br>AC-BZ | 2            |
| 38          | 315T4210-9  |                     | ..SPACER-RADIUS FILLER   | A-F,<br>H-N,Q<br>R,<br>T-AA,<br>AC-BZ | 2            |
| 41          | BACR15BB3B  |                     | ..RIVET-<br>(SIZE DETERMINE ON INST)   | A-F,<br>H-N,Q<br>R,<br>T-AA,<br>AC-BZ | 2            |
| 44          | 69B97503-1  |                     | ..TAG-IDENT<br>(OPT ITEM 44A)  | A-F,<br>H-N,Q<br>R,<br>T-AA,<br>AC-BZ | 1            |
| -44A        | 315T4210-11 |                     | ..TAG-IDENT<br>(OPT ITEM 44)   | A-F,<br>H-N,Q<br>R,<br>T-AA,<br>AC-BZ | 1            |

# 71-11-56

 ILLUSTRATED PARTS LIST  
 01.1 Page 1022V  
 Nov 01/04



**BOEING**  
COMPONENT  
MAINTENANCE MANUAL

| FIG. & ITEM | PART NO.   | AIRLINE PART NUMBER | NOMENCLATURE<br>1234567  | EFF CODE   | QTY PER ASSY |
|-------------|------------|---------------------|--|--|--------------|
| 01-47       | 315T4210-5 |                     | ..CASCADE  | A-D,<br>J-N,V<br>,Y,Z,<br>AE,AF<br>,AJ,A<br>K<br>AN-AR<br>,AW,A<br>Y,BA,<br>BB,BE<br>,BF<br>BJ,BK<br>,BN,B<br>P,BS,<br>BT,BW<br>,BX                  | 1            |
| 50          | 315T4210-6 |                     | ..CASCADE  | E,F,H<br>,Q,R,<br>T,U,W<br>,X,AA<br>,AC<br>AD,AG<br>,AH,A<br>L,AM,<br>AS-AX<br>,AZ<br>BC,BD<br>,BG,B<br>H,BL,<br>BM,BQ<br>,BR<br>BU,BV<br>,BY,B<br>Z | 1            |
| 53          | 315T4210-3 |                     | .CASCADE ASSY-RADIAL FLOW<br>(315T4210-3 WITH ITS<br>ATTACHING PARTS I/W<br>315T3210-1 OR -8 T/W ITS<br>ATTACHING PARTS) | A,B,<br>J-L,V<br>,AE,A<br>F,AN,<br>AP,AW<br>BA,BB<br>,BJ,B<br>K,BS,<br>BT  | 4            |

**71-11-56**

ILLUSTRATED PARTS LIST  
01.1 Page 1022W  
Nov 01/04

| FIG. & ITEM | PART NO.   | AIRLINE PART NUMBER | NOMENCLATURE<br>1234567  | EFF CODE   | QTY PER ASSY |
|-------------|------------|---------------------|--|--|--------------|
| 01-56       | 315T4210-3 |                     | .CASCADE ASSY-RADIAL FLOW<br>(315T4210-3 WITH ITS<br>ATTACHING PARTS I/W<br>315T3210-1 OR -8 T/W ITS<br>ATTACHING PARTS) | H,T,U<br>,AA,A<br>C,AD,<br>AL,AM<br>,AU<br>AV,AZ<br>,BG,B<br>H,BQ,<br>BR,BY<br>,BZ | 4            |
| 59          | 315T4210-3 |                     | .CASCADE ASSY-RADIAL FLOW<br>(315T4210-3 WITH ITS<br>ATTACHING PARTS I/W<br>315T3210-1 OR -8 T/W ITS<br>ATTACHING PARTS) | D,M,N<br>,Y,Z,<br>AJ,AK<br>,AQ,A<br>R,AY<br>BE,BF<br>,BN,B<br>P,BW,<br>BX          | 1            |
| 62          | 315T4210-3 |                     | .CASCADE ASSY-RADIAL FLOW<br>(315T4210-3 WITH ITS<br>ATTACHING PARTS I/W<br>315T3210-1 OR -8 T/W ITS<br>ATTACHING PARTS) | E,F,Q<br>,R,W,<br>X,AG,<br>AH,AS<br>,AT<br>AX,BC<br>,BD,B<br>L,BM,<br>BU,BV        | 1            |
| 63          | 315T4210-3 |                     | .CASCADE ASSY-RADIAL FLOW<br>(315T4210-3 WITH ITS<br>ATTACHING PARTS I/W<br>315T3210-1 OR -8 T/W ITS<br>ATTACHING PARTS) | C,L,A<br>P,BA,<br>BJ,BS  | 1            |
| 64          | 315T4210-3 |                     | .CASCADE ASSY-RADIAL FLOW<br>(315T4210-3 WITH ITS<br>ATTACHING PARTS I/W<br>315T3210-1 OR -8 T/W ITS<br>ATTACHING PARTS) | AA,AC<br>,AV,B<br>G,BQ,<br>BY  | 1            |

# 71-11-56

 ILLUSTRATED PARTS LIST  
 01.1 Page 1022X  
 Nov 01/04

| FIG. & ITEM | PART NO.   | AIRLINE PART NUMBER | NOMENCLATURE<br>1234567  | EFF CODE  | QTY PER ASSY |
|-------------|------------|---------------------|--|---|--------------|
| 01-65       | BACR15CE3B |                     | ..RIVET-<br>(SIZE DETERMINE ON INST)   | A,B,<br>H-K,<br>T-V,A<br>D-AF,<br>AL-AN<br>AU,AZ<br>,BH,B<br>K,BR,<br>BT,BZ               | 8            |
| -65A        | BACR15CE3B |                     | ..RIVET-<br>(SIZE DETERMINE ON INST)   | D-F,M<br>,N,Q,<br>R,W-Z<br>,AG-A<br>K<br>AQ-AT<br>,AX,A<br>Y,B<br>C-BF,<br>BL-BP<br>BU-BX | 8            |
| -65B        | BACR15CE3B |                     | ..RIVET-<br>(SIZE DETERMINE ON INST)   | C,L,A<br>A,AC,<br>AP,AV<br>,BA,B<br>G,BJ<br>BQ,BS<br>,BY                                  | 8            |
| 71          | BRF100C4D  |                     | ..NUTPLATE-<br>(V52828)<br>(SPEC BACN10KB4CFD)<br>(OPT F51604-4<br>(V15653))<br>(OPT 102F9207P4<br>(V72962))<br>(OPT F51604-4<br>(V15653)) | A,B,<br>H-K,<br>T-V,A<br>D-AF,<br>AL-AN<br>AU,AZ<br>,BH,B<br>K,BR,<br>BT,BZ               | 2            |

**71-11-56**

ILLUSTRATED PARTS LIST  
01.1 Page 1022Y  
Nov 01/04

| FIG. & ITEM | PART NO.    | AIRLINE PART NUMBER | NOMENCLATURE<br>1234567  | EFF CODE   | QTY PER ASSY |
|-------------|-------------|---------------------|--|--|--------------|
| 01-<br>-73A | BRF100C4D   |                     | ..NUTPLATE-<br>(V52828)<br>(SPEC BACN10KB4CFD)<br>(OPT F51604-4<br>(V15653))<br>(OPT 102F9207P4<br>(V72962))<br>(OPT F51604-4<br>(V15653)) | D-F,M<br>,N,Q,<br>R,W-Z<br>,AG,A<br>J,AK<br>AQ-AT<br>,AX,A<br>Y,B<br>C-BF,<br>BL-BP<br>BU-BX | 2            |
| -73B        | BRF100C4D   |                     | ..NUTPLATE-<br>(V52828)<br>(SPEC BACN10KB4CFD)<br>(OPT F51604-4<br>(V15653))<br>(OPT 102F9207P4<br>(V72962))<br>(OPT F51604-4<br>(V15653)) | C,L,A<br>A,AC,<br>AP,AV<br>,BA,B<br>G,BJ<br>BQ,BS<br>,BY                                     | 2            |
| 77          | 315T4210-10 |                     | ..SPACER-RADIUS FILLER   | A,B,<br>H-K,<br>T-V,A<br>D-AF,<br>AL-AN<br>AU,AZ<br>,BH,B<br>K,BR,<br>BT,BZ                  | 2            |

# 71-11-56

 ILLUSTRATED PARTS LIST  
 01.1 Page 1022Z  
 Nov 01/04

| FIG. & ITEM | PART NO.    | AIRLINE PART NUMBER | NOMENCLATURE<br>1234567  | EFF CODE  | QTY PER ASSY |
|-------------|-------------|---------------------|--|---|--------------|
| 01-<br>-77A | 315T4210-10 |                     | ..SPACER-RADIUS FILLER   | D-F, M<br>,N,Q,<br>R,W-Z<br>,AG,A<br>J,AK<br>AQ-AT<br>,AX,A<br>Y,B<br>C-BF,<br>BL-BP<br>BU-BX | 2            |
| -77B        | 315T4210-10 |                     | ..SPACER-RADIUS FILLER   | C,L,A<br>A,AC,<br>AP,AV<br>,BA,B<br>G,BJ<br>BQ,BS<br>,BY                                      | 2            |
| 83          | BRF200C4D   |                     | ..NUTPLATE-<br>(V52828)<br>(SPEC BACN10JR4CFD)<br>(OPT K51602-4BAC<br>(V15653))<br>(OPT NS202476-048<br>(V80539))<br>(OPT 102F9201-4<br>(V72962))<br>(OPT T8092C428CD<br>(V11815)) | A,B,<br>H-K,<br>T-V,A<br>D-AF,<br>AL-AN<br>AU,AZ<br>,BH,B<br>K,BR,<br>BT,BZ                   | 2            |

71-11-56

ILLUSTRATED PARTS LIST  
01.1 Page 1023  
Nov 01/04

| FIG. & ITEM | PART NO.   | AIRLINE PART NUMBER | NOMENCLATURE<br>1234567  | EFF CODE   | QTY PER ASSY |
|-------------|------------|---------------------|--|--|--------------|
| 01-<br>-83A | BRF200C4D  |                     | ..NUTPLATE-<br>(V52828)<br>(SPEC BACN10JR4CFD)<br>(OPT K51602-4BAC<br>(V15653))<br>(OPT NS202476-048<br>(V80539))<br>(OPT 102F9201-4<br>(V72962))<br>(OPT T8092C428CD<br>(V11815)) | D-F,M<br>,N,Q,<br>R,W-Z<br>,AG,A<br>J,AK<br>AQ-AT<br>,AX,A<br>Y,B<br>C-BF,<br>BL-BP<br>BU-BX | 2            |
| -83B        | BRF200C4D  |                     | ..NUTPLATE-<br>(V52828)<br>(SPEC BACN10JR4CFD)<br>(OPT K51602-4BAC<br>(V15653))<br>(OPT NS202476-048<br>(V80539))<br>(OPT 102F9201-4<br>(V72962))<br>(OPT T8092C428CD<br>(V11815)) | C,L,A<br>A,AC,<br>AP,AV<br>,BA,B<br>G,BJ<br>BQ,BS<br>,BY                                     | 2            |
| 89          | 315T4210-9 |                     | ..SPACER-RADIUS FILLER   | A,B,<br>H-K,<br>T-V,A<br>D-AF,<br>AL-AN<br>AU,AZ<br>,BH,B<br>K,BR,<br>BT,BZ                  | 2            |

# 71-11-56

 ILLUSTRATED PARTS LIST  
 01.1 Page 1024  
 Nov 01/04

 **BOEING**  
COMPONENT  
MAINTENANCE MANUAL

| FIG. & ITEM | PART NO.   | AIRLINE PART NUMBER | NOMENCLATURE<br>1234567              | EFF CODE   | QTY PER ASSY |
|-------------|------------|---------------------|--------------------------------------|--|--------------|
| 01-<br>-89A | 315T4210-9 |                     | ..SPACER-RADIUS FILLER               | D-F,M<br>,N,Q,<br>R,W-Z<br>,AG,A<br>J,AK<br>AQ-AT<br>,AX,A<br>Y,B<br>C-BF,<br>BL-BP<br>BU-BX | 2            |
| -89B        | 315T4210-9 |                     | ..SPACER-RADIUS FILLER               | C,L,A<br>A,AC,<br>AP,AV<br>,BA,B<br>G,BJ<br>BQ,BS<br>,BY                                     | 2            |
| 95          | BACR15BB3B |                     | ..RIVET-<br>(SIZE DETERMINE ON INST) | A,B,<br>H-K,<br>T-V,A<br>D-AF,<br>AL,AN<br>AU,AZ<br>,BH,B<br>K,BR,<br>BT,BZ                  | 2            |
| -95A        | BACR15BB3B |                     | ..RIVET-<br>(SIZE DETERMINE ON INST) | D-F,M<br>,N,Q,<br>R,W-Z<br>,AG,A<br>J,AK<br>AR-AT<br>,AX,A<br>Y,B<br>C-BF,<br>BL-BP<br>BU-BX | 2            |

71-11-56

ILLUSTRATED PARTS LIST  
01.1 Page 1024A  
Nov 01/04

| FIG. & ITEM | PART NO.   | AIRLINE PART NUMBER | NOMENCLATURE<br>1234567              | EFF CODE   | QTY PER ASSY |
|-------------|------------|---------------------|--------------------------------------|--|--------------|
| 01-<br>-95B | BACR15BB3B |                     | ..RIVET-<br>(SIZE DETERMINE ON INST) | C,L,A<br>A,AC,<br>AP,AV<br>,BA,B<br>G,BJ<br>BQ,BS<br>,BY                                     | 2            |
| 98          | 69B97503-1 |                     | ..TAG-IDENT<br>(OPT ITEM 98C)        | A,B,<br>H-K,<br>T-V,A<br>D-AF,<br>AL-AN<br>AU,AZ<br>,BH,B<br>K,BR,<br>BT,BZ                  | 1            |
| -98A        | 69B97503-1 |                     | ..TAG-IDENT<br>(OPT ITEM 98D)        | D-F,M<br>,N,Q,<br>R,W-Z<br>,AG,A<br>J,AK<br>AQ-AT<br>,AX,A<br>Y,BC,<br>BF,B<br>L-BP<br>BU-BX | 1            |
| -98B        | 69B97503-1 |                     | ..TAG-IDENT<br>(OPT ITEM 98E)        | C,L,A<br>A,AC,<br>AP,AV<br>,BA,B<br>G,BJ<br>BQ,BS<br>,BY                                     | 1            |

# 71-11-56

 ILLUSTRATED PARTS LIST  
 01.1 Page 1024B  
 Nov 01/04



 **BOEING**  
COMPONENT  
MAINTENANCE MANUAL

| FIG. & ITEM | PART NO.    | AIRLINE PART NUMBER | NOMENCLATURE<br>1234567       | EFF CODE   | QTY PER ASSY |
|-------------|-------------|---------------------|-------------------------------|--|--------------|
| 01-<br>-98C | 315T4210-11 |                     | ..TAG-IDENT<br>(OPT ITEM 98)  | A,B,<br>H-K,<br>T-V,A<br>D-AF,<br>AL-AN<br>AU,AZ<br>,BH,B<br>K,BR,<br>BT,BZ                  | 1            |
| -98D        | 315T4210-11 |                     | ..TAG-IDENT<br>(OPT ITEM 98A) | D-F,M<br>,N,Q,<br>R,W-Z<br>,AG,A<br>J,AK<br>AQ-AT<br>,AY,A<br>Z,B<br>C-BF,<br>BL-BP<br>BU-BX | 1            |
| -98E        | 315T4210-11 |                     | ..TAG-IDENT<br>(OPT ITEM 98B) | C,L,A<br>A,AC,<br>AP,AV<br>,BA,B<br>G,BJ<br>BQ,BS<br>,BY                                     | 1            |
| 101         | 315T4210-7  |                     | ..CASCADE                     | A,B,<br>H-K,<br>T-V,A<br>D-AF,<br>AL-AN<br>AU,AZ<br>,BH,B<br>K,BR,<br>BT,BZ                  | 1            |

71-11-56

ILLUSTRATED PARTS LIST  
01.1 Page 1024C  
Nov 01/04

| FIG. & ITEM  | PART NO.   | AIRLINE PART NUMBER | NOMENCLATURE<br>1234567  | EFF CODE   | QTY PER ASSY |
|--------------|------------|---------------------|--|--|--------------|
| 01-<br>-101A | 315T4210-7 |                     | ..CASCADE  | D-F,M<br>,N,Q,<br>R,W-Z<br>,AG,A<br>J,AK<br>AQ-AT<br>,AX,A<br>Y,B<br>C-BF,<br>BL-BP<br>BU-BX | 1            |
| -101B        | 315T4210-7 |                     | ..CASCADE  | C,L,A<br>A,AC,<br>AP,AV<br>,BA,B<br>G,BJ<br>BQ,BS<br>,BY<br>A-C,                             | 1            |
| 104          | 315T4212-3 |                     | .CASCADE ASSY-39.2 DEG<br>SKEWED<br>(315T4212-3 T/W ITS<br>ATTACHING PARTS I/W<br>315T3212-3 OR -13 T/W<br>ITS ATTACHING PARTS)  | J-L,V<br>,AE,A<br>F,AN,<br>AP,AW<br>BA,BB<br>,BJ,B<br>K,BS,<br>BT                            | 2            |
| 107          | 315T4212-4 |                     | .CASCADE ASSY-39.2 DEG<br>SKEWED<br>(315T4212-4 WITH ITS<br>ATTACHING PARTS I/W<br>315T3212-4 OR -14 T/W<br>ITS ATTACHING PARTS) | A,B,J<br>,K,V,<br>AE,AF<br>,AN,A<br>W,BB<br>BK,BT  | 1            |

# 71-11-56

 ILLUSTRATED PARTS LIST  
 01.1 Page 1024D  
 Nov 01/04

**BOEING**  
COMPONENT  
MAINTENANCE MANUAL

| FIG. & ITEM | PART NO.   | AIRLINE PART NUMBER | NOMENCLATURE<br>1234567  | EFF CODE   | QTY PER ASSY |
|-------------|------------|---------------------|--|--|--------------|
| 01-110      | 315T4212-4 |                     | .CASCADE ASSY-39.2 DEG SKEWED<br>(315T4212-4 WITH ITS ATTACHING PARTS I/W 315T3212-4 OR -14 T/W ITS ATTACHING PARTS) | H,T,U<br>,AA,A<br>C,AD,<br>AL,AM<br>,AU<br>AV,AZ<br>,BG,B<br>H,BQ,<br>BR,BY<br>,BZ       | 2            |
| 113         | 315T4212-3 |                     | .CASCADE ASSY-39.2 DEG SKEWED<br>(315T4212-3 T/W ITS ATTACHING PARTS I/W 315T3212-3 OR -13 T/W ITS ATTACHING PARTS)  | H,T,U<br>,AD,A<br>L,AM,<br>AU,AZ<br>,BH<br>BR,BZ   | 1            |
| 116         | 315T4212-3 |                     | .CASCADE ASSY-39.2 DEG SKEWED<br>(315T4212-3 T/W ITS ATTACHING PARTS I/W 315T3212-3 OR -13 T/W ITS ATTACHING PARTS)  | D,M,N<br>,Y,Z,<br>AJ,AK<br>,AQ,A<br>R,AY<br>BE,BF<br>,BN,B<br>P,BW,<br>BX                | 1            |
| 119         | 315T4212-4 |                     | .CASCADE ASSY-39.2 DEG SKEWED<br>(315T4212-4 WITH ITS ATTACHING PARTS I/W 315T3212-4 OR -14 T/W ITS ATTACHING PARTS) | E,F,Q<br>,R,W,<br>Z,AG,<br>AH,AS<br>,AT<br>AX,BC<br>,BD,B<br>L,BM,<br>BU,BV              | 1            |
| 122         | BACR15CE3B |                     | ..RIVET-<br>(SIZE DETERMINE ON INST)   | A,B,<br>H-K,<br>T-V,A<br>D-AF,<br>AL-AN<br>AU,AW<br>,AZ,B<br>B,BH,<br>BK,BR<br>,BT<br>BZ | 8            |

71-11-56

ILLUSTRATED PARTS LIST  
01.1 Page 1024E  
Nov 01/04

| FIG. & ITEM  | PART NO.   | AIRLINE PART NUMBER | NOMENCLATURE<br>1234567  | EFF CODE  | QTY PER ASSY |
|--------------|------------|---------------------|--|---|--------------|
| 01-<br>-122A | BACR15CE3B |                     | ..RIVET-<br>(SIZE DETERMINE ON INST)   | D-F,M<br>,N,Q,<br>W-Z,A<br>G-AK,<br>AQ-AT<br>AX,AY<br>,BC-B<br>F,B<br>L-BP,<br>BU-BX      | 8            |
| -122B        | BACR15CE3B |                     | ..RIVET-<br>(SIZE DETERMINE ON INST)   | C,L,A<br>A,AC,<br>AD,AV<br>,BA,B<br>G,BJ<br>BQ,BS<br>,BY                                  | 8            |
| 125          | BRF100C4D  |                     | ..NUTPLATE-<br>(V52828)<br>(SPEC BACN10KB4CFD)<br>(OPT F51604-4<br>(V15653))<br>(OPT 102F9207P4<br>(V72962))<br>(OPT F51604-4<br>(V15653)) | A,B,<br>H-K,<br>T-V,A<br>D-AF,<br>AL-AN<br>AU,AW<br>,AZ,B<br>B,BH,<br>BK,BR<br>,BT<br>BZ  | 2            |
| -125A        | BRF100C4D  |                     | ..NUTPLATE-<br>(V52828)<br>(SPEC BACN10KB4CFD)<br>(OPT F51604-4<br>(V15653))<br>(OPT 102F9207P4<br>(V72962))<br>(OPT F51604-4<br>(V15653)) | D-F,M<br>,N,Q,<br>R,W-Z<br>,AK-A<br>W<br>AQ-AT<br>,AX,A<br>Y,B<br>C-BF,<br>BL-BP<br>BU-BX | 2            |

# 71-11-56

 ILLUSTRATED PARTS LIST  
 01.1 Page 1024F  
 Nov 01/04

**BOEING**  
COMPONENT  
MAINTENANCE MANUAL

| FIG. & ITEM  | PART NO.    | AIRLINE PART NUMBER | NOMENCLATURE<br>1234567  | EFF CODE  | QTY PER ASSY |
|--------------|-------------|---------------------|--|---|--------------|
| 01-<br>-125B | BRF100C4D   |                     | ..NUTPLATE-<br>(V52828)<br>(SPEC BACN10KB4CFD)<br>(OPT F51604-4<br>(V15653))<br>(OPT 102F9207P4<br>(V72962))<br>(OPT F51604-4<br>(V15653)) | C,L,A<br>A,AC,<br>AP,AV<br>,BA,B<br>G,BJ<br>BQ,B<br>S-BY                                  | 2            |
| 128          | 315T4210-10 |                     | ..SPACER-RADIUS FILLER   | A,B,<br>H-K,<br>T-V,A<br>D-AF,<br>AL-AN<br>AU,AW<br>,AZ,B<br>B,BH,<br>BK,BR<br>,BT<br>BZ  | 2            |
| -128A        | 315T4210-10 |                     | ..SPACER-RADIUS FILLER   | D-F,M<br>,N,Q,<br>R,W-Z<br>,AG-A<br>K<br>AQ-AT<br>,AX,A<br>Y,B<br>C-BF,<br>BL-BP<br>BU-BX | 2            |
| -128B        | 315T4210-10 |                     | ..SPACER-RADIUS FILLER   | C,L,A<br>A,AC,<br>AP,AV<br>,BA,B<br>G,BJ<br>BQ,BS<br>,BY                                  | 2            |

71-11-56

ILLUSTRATED PARTS LIST  
01.1 Page 1024G  
Nov 01/04

| FIG. & ITEM | PART NO.  | AIRLINE PART NUMBER | NOMENCLATURE<br>1234567  | EFF CODE  | QTY PER ASSY |
|-------------|-----------|---------------------|--|---|--------------|
| 01-131      | BRF200C4D |                     | ..NUTPLATE-<br>(V52828)<br>(SPEC BACN10JR4CFD)<br>(OPT K51602-4BAC<br>(V15653))<br>(OPT NS202476-048<br>(V80539))<br>(OPT 102F9201-4<br>(V72962))<br>(OPT T8092C428CD<br>(V11815)) | A,B,<br>H-K,<br>T-V,A<br>D-AF,<br>AL-AN<br>AU,AW<br>,AZ,B<br>B,BH,<br>BK,BR<br>,BT<br>BZ  | 2            |
| -131A       | BRF200C4D |                     | ..NUTPLATE-<br>(V52828)<br>(SPEC BACN10JR4CFD)<br>(OPT K51602-4BAC<br>(V15653))<br>(OPT NS202476-048<br>(V80539))<br>(OPT 102F9201-4<br>(V72962))<br>(OPT T8092C428CD<br>(V11815)) | D-F,M<br>,N,Q,<br>R,W-Z<br>,AG-A<br>K<br>AQ-AT<br>,AX,A<br>Y,B<br>C-BF,<br>BL-BP<br>BU-BX | 2            |
| -131B       | BRF200C4D |                     | ..NUTPLATE-<br>(V52828)<br>(SPEC BACN10JR4CFD)<br>(OPT K51602-4BAC<br>(V15653))<br>(OPT NS202476-048<br>(V80539))<br>(OPT 102F9201-4<br>(V72962))<br>(OPT T8092C428CD<br>(V11815)) | C,L,A<br>A,AC,<br>AP,AV<br>,BA,B<br>G,BJ<br>BQ,BS<br>,BY                                  | 2            |

# 71-11-56

 ILLUSTRATED PARTS LIST  
 01.1 Page 1024H  
 Nov 01/04

| FIG. & ITEM | PART NO.   | AIRLINE PART NUMBER | NOMENCLATURE<br>1234567 | EFF CODE  | QTY PER ASSY |
|-------------|------------|---------------------|-------------------------|---|--------------|
| 01-134      | 315T4210-9 |                     | ..SPACER-RADIUS FILLER  | A,B,<br>H-K,<br>T-V,A<br>D-AF,<br>AL-AN<br>AU,AW<br>,AZ,B<br>B,BH,<br>BK,BR<br>,BT<br>BZ  | 2            |
| -134A       | 315T4210-9 |                     | ..SPACER-RADIUS FILLER  | D-F,M<br>,N,Q,<br>R,W-Z<br>,AG-A<br>K<br>AQ-AT<br>,AX,A<br>Y,B<br>C-BF,<br>BL-BP<br>BU-BX | 2            |
| -134B       | 315T4210-9 |                     | ..SPACER-RADIUS FILLER  | C,L,A<br>A,AC,<br>AP,AV<br>,BA,B<br>G,BJ<br>BQ,BS<br>,BY                                  | 2            |

71-11-56

ILLUSTRATED PARTS LIST  
01.1 Page 1024I  
Nov 01/04

| FIG. & ITEM | PART NO.   | AIRLINE PART NUMBER | NOMENCLATURE<br>1234567              | EFF CODE  | QTY PER ASSY |
|-------------|------------|---------------------|--------------------------------------|---|--------------|
| 01-137      | BACR15BB3B |                     | ..RIVET-<br>(SIZE DETERMINE ON INST) | A,B,<br>H-K,<br>T-V,A<br>D-AF,<br>AL-AN<br>AU,AW<br>,AZ,B<br>B,BH,<br>BK,BR<br>,BT<br>BZ  | 2            |
| -137A       | BACR15BB3B |                     | ..RIVET-<br>(SIZE DETERMINE ON INST) | D-F,M<br>,N,Q,<br>R,W-Z<br>,AG-A<br>K<br>AR-AT<br>,AX,A<br>Y,B<br>C-BF,<br>BL-BP<br>BU-BX | 2            |
| -137B       | BACR15BB3B |                     | ..RIVET-<br>(SIZE DETERMINE ON INST) | C,L,A<br>A,AC,<br>AP,AV<br>,BA,B<br>G,BJ<br>BQ,BS<br>,BY                                  | 2            |
| 140         | 69B97503-1 |                     | ..TAG-IDENT<br>(OPT ITEM 140C)       | A,B,<br>H-K,<br>T-V,A<br>D-AF,<br>AL-AN<br>AU,AW<br>,AZ,B<br>B,BH,<br>BK,BR<br>,BT<br>BZ  | 1            |

# 71-11-56

 ILLUSTRATED PARTS LIST  
 01.1 Page 1024J  
 Nov 01/04



 **BOEING**  
COMPONENT  
MAINTENANCE MANUAL

| FIG. & ITEM  | PART NO.    | AIRLINE PART NUMBER | NOMENCLATURE<br>1234567        | EFF CODE  | QTY PER ASSY |
|--------------|-------------|---------------------|--------------------------------|---|--------------|
| 01-<br>-140A | 69B97503-1  |                     | ..TAG-IDENT<br>(OPT ITEM 140D) | D-F,M<br>,N,Q,<br>R,W-Z<br>,AG-A<br>K<br>AQ-AT<br>,AX,A<br>Y,B<br>C-BF,<br>BL-BP<br>BU-BX | 1            |
| -140B        | 315T4210-11 |                     | ..TAG-IDENT<br>(OPT ITEM 140E) | C,L,A<br>A,AC,<br>AP,AV<br>,BA,B<br>G,BJ<br>BQ,BT<br>,BZ                                  | 1            |
| -140C        | 315T4210-11 |                     | ..TAG-IDENT<br>(OPT ITEM 140)  | A,B,<br>H-K,<br>T-V,A<br>D-AF,<br>AL-AN<br>AU,AW<br>,AZ,B<br>B,BH,<br>BK,BR<br>BU-BX      | 1            |
| -140D        | 69B97503-1  |                     | ..TAG-IDENT<br>(OPT ITEM 140A) | D-F,M<br>,N,Q,<br>R,W-Z<br>,AG-A<br>K<br>AQ-AT<br>,AX,A<br>Y,B<br>C-BE,<br>BL-BP<br>BS,BY | 1            |

71-11-56

ILLUSTRATED PARTS LIST  
01.1 Page 1024K  
Nov 01/04

| FIG. & ITEM  | PART NO.    | AIRLINE PART NUMBER | NOMENCLATURE<br>1234567          | EFF CODE  | QTY PER ASSY |
|--------------|-------------|---------------------|----------------------------------|---|--------------|
| 01-<br>-140E | 315T4210-11 |                     | ..TAG-IDENT<br>(OPT ITEM 140B)   | C,L,A<br>A,AC,<br>AP,AV<br>,BA,B<br>G,BJ<br>BQ,B<br>T-BZ                  | 1            |
| 143          | 315T4212-7  |                     | ..CASCADE-<br>(USED ON ITEM 104) | A-C,<br>J-L,V<br>,AE,A<br>F,AN,<br>AP,AW<br>BA,BB<br>,BJ,B<br>K,BS,<br>BT | 1            |

**71-11-56**

ILLUSTRATED PARTS LIST  
 01.1 Page 1024L  
 Nov 01/04

 **BOEING**  
COMPONENT  
MAINTENANCE MANUAL

| FIG. & ITEM | PART NO.   | AIRLINE PART NUMBER | NOMENCLATURE                                      | EFF CODE  | QTY PER ASSY |
|-------------|------------|---------------------|---|---|--------------|
| 01-143A     | 315T4212-7 |                     | 1234567<br>..CASCADE-<br>(USED ON ITEMS 113, 116) | D,H,M<br>,N,T<br>U,Y,Z<br>,AD,A<br>J-AM<br>AQ,AR<br>,AU,A<br>Y,AZ,<br>BE,BF<br>,BH<br>BN,BP<br>,BR,B<br>W,BX,<br>BZ | 1            |
| 143B        | 315T4212-8 |                     | ..CASCADE-<br>(USED ON ITEM 110)                  | H,T,U<br>,AA,A<br>C,AD,<br>AL,AM<br>,AU<br>AV,AZ<br>,BG,B<br>H,BQ,<br>BR,BY<br>,BZ                                  | 1            |
| 143C        | 315T4212-8 |                     | ..CASCADE-<br>(USED ON ITEMS 107, 119)            | A,B,E<br>,F,J,<br>K,Q,R<br>,V-X,<br>AE-AH<br>AN,AS<br>,AT,A<br>W,AX,<br>BB-BD<br>BK-BM<br>,BT,B<br>Z                | 1            |

71-11-56

| FIG. & ITEM | PART NO.                 | AIRLINE PART NUMBER | NOMENCLATURE<br>1234567   | EFF CODE   | QTY PER ASSY |
|-------------|--------------------------|---------------------|---|--|--------------|
| 01-146      | 315T4212-1               |                     | .CASCADE ASSY-39.2 DEG SKEWED<br>(315T4212-1 WITH ITS ATTACHING PARTS I/W 315T3212-1 OR -11 T/W ITS ATTACHING PARTS)            | A-C,<br>J-L,V<br>,AE,A<br>F,AN,<br>AP,AW<br>BA,BB<br>,BJ,B<br>K,BS,<br>BT                              | 1            |
| 149<br>149A | 315T4212-1<br>315T4212-2 |                     | DELETED<br>.CASCADE ASSY-39.2 DEG SKEWED<br>(315T4212-2 WITH ITS ATTACHING PARTS I/W 315T3212-2 OR -12 T/W ITS ATTACHING PARTS) | H,T,U<br>,AA,A<br>C,AD,<br>AL,AM<br>,AU<br>AV,AZ<br>,BG,B<br>H,BQ,<br>BR,BY<br>,BZ                     | 1            |
| 152         | BACR15CE3B               |                     | ..RIVET-<br>(SIZE DETERMINE ON INST)  | A-C,<br>H-L,<br>T-V,A<br>A,A<br>C-AF<br>AL-AP<br>,AU-A<br>W,A<br>Z-BB,<br>BG-BK<br>BQ-BT<br>,BY,B<br>Z | 8            |

# 71-11-56

 ILLUSTRATED PARTS LIST  
 01.1 Page 1024N  
 Nov 01/04



**BOEING**  
COMPONENT  
MAINTENANCE MANUAL

| FIG. & ITEM | PART NO.    | AIRLINE PART NUMBER | NOMENCLATURE<br>1234567  | EFF CODE   | QTY PER ASSY |
|-------------|-------------|---------------------|--|--|--------------|
| 01-155      | BRF100C4D   |                     | ..NUTPLATE-<br>(V52828)<br>(SPEC BACN10KB4CFD)<br>(OPT F51604-4<br>(V15653))<br>(OPT 102F9207P4<br>(V72962))<br>(OPT F51604-4<br>(V15653))   | A-C,<br>H-L,<br>T-V,A<br>A,A<br>C-AF<br>AL-AP<br>,AU-A<br>W,A<br>Z-BB,<br>BG-BK<br>BQ-BT<br>,BY,B<br>Z | 2            |
| 158         | 315T4210-10 |                     | ..SPACER-RADIUS FILLER   | A-C,<br>H-L,<br>T-V,A<br>A,A<br>C-AF<br>AL-AP<br>,AU-A<br>W,A<br>Z-BB,<br>BG,BH<br>BS,BT<br>,BY,B<br>Z | 2            |
| 161         | BRF200C4D   |                     | ..NUTPLATE-<br>(V52828)<br>(SPEC BACN10JR4CFD)<br>(OPT K51602-4BAC<br>(V15653))<br>(OPT NS202476-048<br>(V80539))<br>(OPT 102F9201-4<br>(V72962))<br>(OPT T8092C428CD<br>(V11815)) | A-C,<br>H-L,<br>T-V,A<br>A,A<br>C-AF<br>AL-AP<br>,AU-A<br>W,A<br>Z-BB,<br>BG-BK<br>BQ-BT<br>,BY,B<br>Z | 2            |

71-11-56

ILLUSTRATED PARTS LIST  
01.1 Page 10240  
Nov 01/04

| FIG. & ITEM | PART NO.   | AIRLINE PART NUMBER | NOMENCLATURE<br>1234567              | EFF CODE   | QTY PER ASSY |
|-------------|------------|---------------------|--------------------------------------|--|--------------|
| 01-164      | 315T4210-9 |                     | ..SPACER-RADIUS FILLER               | A-C,<br>H-L,<br>T-V,A<br>A,A<br>C-AF<br>AL-AP<br>,AU-A<br>W,A<br>Z-BB,<br>BG-BK<br>BQ-BT<br>,BY,B<br>Z | 2            |
| 167         | BACR15BB3B |                     | ..RIVET-<br>(SIZE DETERMINE ON INST) | A-C,<br>H-L,<br>T-V,A<br>A,A<br>C-AF<br>AL-AP<br>,AU-A<br>W,A<br>Z-BB,<br>BG-BK<br>BQ-BT<br>,BY,B<br>Z | 2            |
| 170         | 69B97503-1 |                     | ..TAG-IDENT<br>(OPT ITEM 170A)       | A-C,<br>H-L,<br>T-V,A<br>A,A<br>C-AF<br>AL-AP<br>,AU-A<br>W,A<br>Z-BB,<br>BG-BK<br>BQ-BT<br>,BY,B<br>Z | 1            |

# 71-11-56

 ILLUSTRATED PARTS LIST  
 01.1 Page 1024P  
 Nov 01/04

| FIG. & ITEM  | PART NO.    | AIRLINE PART NUMBER | NOMENCLATURE<br>1234567       | EFF CODE   | QTY PER ASSY |
|--------------|-------------|---------------------|-------------------------------|--|--------------|
| 01-<br>-170A | 315T4210-11 |                     | ..TAG-IDENT<br>(OPT ITEM 170) | A-C,<br>H-L,<br>T-V,A<br>A,A<br>C-AF<br>AL-AP<br>,AU-A<br>W,A<br>Z-BB,<br>BG-BK<br>BQ-BT<br>,BY,B<br>Z | 1            |
| 173          | 315T4212-5  |                     | ..CASCADE                     | A-C,<br>J-L,V<br>,AE,A<br>F,AN,<br>AP,AW<br>BA,BB<br>,BJ,B<br>K,BS,<br>BT                              | 1            |
| 176          | 315T4212-6  |                     | ..CASCADE                     | H,T,U<br>,AA,A<br>C,AD,<br>AL,AM<br>,AU<br>AV,AZ<br>,BG,B<br>H,BQ,<br>BR,BY<br>,BZ                     | 1            |

71-11-56

| FIG. & ITEM | PART NO.    | AIRLINE PART NUMBER | NOMENCLATURE<br>1234567  | EFF CODE  | QTY PER ASSY |
|-------------|-------------|---------------------|--|---|--------------|
| 01-179      | 315T4259-1  |                     | .CASCADE ASSY-58.25 DEG CURVED STRONGBACK (315T4259-1 WITH ITS ATTACHING PARTS I/W 315T3259-7 OR -1 T/W ITS ATTACHING PARTS) (PRE SB 767-78-0069) (PRE SB 747-78-2123) | E,F,Q<br>,R,W,<br>X,AG,<br>AH,AS<br>,AT<br>AX,BC<br>,BD | 2            |
| -179A       | 315T4259-1  |                     | DELETED  |   |              |
| -179B       | 315T4259-7  |                     | DELETED  |   |              |
| -179C       | 315T4259-7  |                     | .CASCADE ASSY-58.25 DEG (POST SB 767-78-0069) (POST SB 747-78-2123)  | E,F,Q<br>,R,W,<br>X,AG,<br>AH,AS<br>,AT<br>AX,BC<br>,BD | 2            |
| -179D       | 315T4259-7  |                     | DELETED  |   |              |
| -179E       | 315T4259-9  |                     | DELETED  |   |              |
| -179F       | 315T4259-9  |                     | .CASCADE ASSY-58.25 DEG (POST SB 747-78-2123) (POST SB 767-78-0069)  | E,F,Q<br>,R,W,<br>X,AG,<br>AH,AS<br>,AT<br>AX,BC<br>,BD | 2            |
| 182         | 315T4259-2  |                     | .CASCADE ASSY-58.25 DEG CURVED STRONGBACK (315T4259-2 WITH ITS ATTACHING PARTS I/W 315T3259-2 OR -8 T/W ITS ATTACHING PARTS) (PRE SB 767-78-0069) (PRE SB 747-78-2123) | D,M,N<br>,Y,Z,<br>AJ,AK<br>,AQ,A<br>R,AY<br>BE,BF       | 2            |
| -182A       | 315T4259-2  |                     | DELETED  |   |              |
| -182B       | 315T4259-8  |                     | DELETED  |   |              |
| -182C       | 315T4259-8  |                     | .CASCADE ASSY-58.25 DEG (POST SB 767-78-0069) (POST SB 747-78-2123)  | D,M,N<br>,Y,Z,<br>AJ,AK<br>,AQ,A<br>R,AY<br>BE,BF       | 2            |
| -182D       | 315T4259-8  |                     | DELETED  |   |              |
| -182E       | 315T4259-10 |                     | DELETED  |   |              |

# 71-11-56

 ILLUSTRATED PARTS LIST  
 01.1 Page 1024R  
 Nov 01/04



**BOEING**  
COMPONENT  
MAINTENANCE MANUAL

| FIG. & ITEM  | PART NO.    | AIRLINE PART NUMBER | NOMENCLATURE<br>1234567  | EFF CODE  | QTY PER ASSY |
|--------------|-------------|---------------------|--|---|--------------|
| 01-<br>-182F | 315T4259-10 |                     | . CASCADE ASSY-58.25 DEG<br>(POST SB 747-78-2123)<br>(POST SB 767-78-0069)   | D,M,N<br>,Y,Z,<br>AJ,AK<br>,AQ,A<br>R,AY<br>BE,BF                             | 2            |
| 185          | BACR15CE3B  |                     | ..RIVET-<br>(SIZE DETERMINE ON INST)   | D-F,M<br>,N,Q,<br>R,W-Z<br>,AG-A<br>K<br>AQ-AT<br>,AX,A<br>Y,B<br>C-BF,<br>BJ | 8            |
| 188          | BRF100C4D   |                     | ..NUTPLATE-<br>(V52828)<br>(SPEC BACN10KB4CFD)<br>(OPT F51604-4<br>(V15653))<br>(OPT 102F9207P4<br>(V72962))<br>(OPT F51604-4<br>(V15653)) | D-F,M<br>,N,Q,<br>R,W-Z<br>,AG-A<br>K<br>AQ-AT<br>,AX,A<br>Y,B<br>C-BF,<br>BJ | 2            |
| 191          | 315T4210-10 |                     | ..SPACER-RADIUS FILLER   | D-F,M<br>,N,Q,<br>R,W-Z<br>,AG-A<br>K<br>AQ-AT<br>,AX,A<br>Y,B<br>C-BF,<br>BJ | 2            |

71-11-56

ILLUSTRATED PARTS LIST  
01.1 Page 1024S  
Nov 01/04

| FIG. & ITEM | PART NO.   | AIRLINE PART NUMBER | NOMENCLATURE<br>1234567  | EFF CODE  | QTY PER ASSY |
|-------------|------------|---------------------|--|---|--------------|
| 01-193      | BRF200C4D  |                     | ..NUTPLATE-<br>(V52828)<br>(SPEC BACN10JR4CFD)<br>(OPT K51602-4BAC<br>(V15653))<br>(OPT NS202476-048<br>(V80539))<br>(OPT 102F9201-4<br>(V72962))<br>(OPT T8092C428CD<br>(V11815)) | D-F,M<br>,N,Q,<br>R,W-Z<br>,AG-A<br>K<br>AQ-AT<br>,AX,A<br>Y,B<br>C-BF,<br>BJ | 2            |
| 196         | 315T4210-9 |                     | ..SPACER-RADIUS FILLER   | D-F,M<br>,N,Q,<br>R,W-Z<br>,AG-A<br>K<br>AQ-AT<br>,AX,A<br>Y,B<br>C-BF,<br>BJ | 2            |
| 199         | BACR15BB3B |                     | ..RIVET-<br>(SIZE DETERMINE ON INST)   | D-F,M<br>,N,Q,<br>R,W-Z<br>,AG-A<br>K<br>AQ-AT<br>,AX,A<br>Y,B<br>C-BF,<br>BJ | 2            |

# 71-11-56

 ILLUSTRATED PARTS LIST  
 01.1 Page 1024T  
 Nov 01/04

| FIG. & ITEM   | PART NO.                  | AIRLINE PART NUMBER | NOMENCLATURE<br>1234567                                      | EFF CODE  | QTY PER ASSY |
|---------------|---------------------------|---------------------|--|---|--------------|
| 01-202        | 69B97503-1                |                     | ..TAG-IDENT  | D-F,M<br>,N,Q,<br>R,W-Z<br>,AG-A<br>K<br>AQ-AT<br>,AX,A<br>Y,B<br>C-BF,<br>BJ | 1            |
| 205           | 315T4259-3                |                     | ..CASCADE-<br>(USED ON ITEMS 179,<br>179A, 179B, 179C, 179D) | E,F,Q<br>,R,W,<br>X,AG,<br>AH,AS<br>,AT<br>AX,BC<br>,BD,B<br>L,BM             | 1            |
| 205A<br>-205B | 315T4259-4<br>315T4259-11 |                     | DELETED<br>..CASCADE-<br>(USED ON ITEMS 179E,<br>179F)       | E,F,Q<br>,R,W,<br>X,AG,<br>AH,AS<br>,AT<br>AX,BC<br>,BD                       | 1            |
| 206           | 315T4259-4                |                     | ..CASCADE-<br>(USED ON ITEMS 182,<br>182A, 182B, 182C, 182D) | D,M,N<br>,Y,Z,<br>AJ,AK<br>,AQ,A<br>R,AY<br>BE,BF                             | 1            |
| -206A         | 315T4259-12               |                     | ..CASCADE-<br>(USED ON ITEMS 182E,<br>182F)                  | D,M,N<br>,Y,Z,<br>AJ,AK<br>,AQ,A<br>R,AY<br>BE,BF                             | 1            |

71-11-56

| FIG. & ITEM | PART NO.   | AIRLINE PART NUMBER | NOMENCLATURE<br>1234567  | EFF CODE  | QTY PER ASSY |
|-------------|------------|---------------------|--|---|--------------|
| 01-208      | 315T4262-1 |                     | .CASCADE ASSY-RADIAL SPOILED FLOW (315T4262-1 WITH ITS ATTACHING PARTS I/W 315T3262-1 OR -4 T/W ITS ATTACHING PARTS) | E,F,Q<br>,R,W,<br>X,AG,<br>AH,AS<br>,AT<br>AX,BC<br>,BD,B<br>L,BM,<br>BU,BV               | 2            |
| 211         | 315T4262-1 |                     | .CASCADE ASSY-RADIAL SPOILED FLOW (315T4262-1 WITH ITS ATTACHING PARTS I/W 315T3262-1 OR -4 T/W ITS ATTACHING PARTS) | D,M,N<br>,Y,Z,<br>AJ,AK<br>,AQ,A<br>R,AY<br>BE,BF<br>,BN,B<br>P,BW,<br>BX                 | 2            |
| 214         | BACR15CE3B |                     | ..RIVET- (SIZE DETERMINE ON INST)  | D-F,M<br>,N,Q,<br>R,W-Z<br>,AG-A<br>K<br>AQ-AT<br>,AX,A<br>Y,B<br>C-BF,<br>BL-BP<br>BU-BX | 8            |
| 217         | BRF100C4D  |                     | ..NUTPLATE- (V52828) (SPEC BACN10KB4CFD) (OPT F51604-4 (V15653)) (OPT 102F9207P4 (V72962)) (OPT F51604-4 (V15653))   | D-F,M<br>,N,Q,<br>R,W-Z<br>,AG-A<br>K<br>AQ-AT<br>,AX,A<br>Y,B<br>C-BF,<br>BL-BP<br>BU-BX | 2            |

# 71-11-56

 ILLUSTRATED PARTS LIST  
 01.1 Page 1024V  
 Nov 01/04

 **BOEING**  
COMPONENT  
MAINTENANCE MANUAL

| FIG. & ITEM | PART NO.    | AIRLINE PART NUMBER | NOMENCLATURE<br>1234567  | EFF CODE  | QTY PER ASSY |
|-------------|-------------|---------------------|--|---|--------------|
| 01-220      | 315T4210-10 |                     | ..SPACER-RADIUS FILLER   | D-F,M<br>,N,Q,<br>R,W-Z<br>,AG-A<br>K<br>AQ-AT<br>,AX,A<br>Y,B<br>C-BF,<br>BL-BP<br>BU-BX | 2            |
| 223         | BRF200C4D   |                     | ..NUTPLATE-<br>(V52828)<br>(SPEC BACN10JR4CFD)<br>(OPT K51602-4BAC<br>(V15653))<br>(OPT NS202476-048<br>(V80539))<br>(OPT 102F9201-4<br>(V72962))<br>(OPT T8092C428CD<br>(V11815)) | D-F,M<br>,N,Q,<br>R,W-Z<br>,AG-A<br>K<br>AQ-AT<br>,AX,A<br>Y,B<br>C-BF,<br>BL-BP<br>BU-BX | 2            |
| 226         | 315T4210-9  |                     | ..SPACER-RADIUS FILLER   | D-F,M<br>,N,Q,<br>R,W-Z<br>,AG-A<br>K<br>AQ-AT<br>,AX,A<br>Y,B<br>C-BF,<br>BL-BP<br>BU-BX | 2            |

71-11-56

ILLUSTRATED PARTS LIST  
01.1 Page 1024W  
Nov 01/04

| FIG. & ITEM | PART NO.   | AIRLINE PART NUMBER | NOMENCLATURE<br>1234567              | EFF CODE  | QTY PER ASSY |
|-------------|------------|---------------------|--------------------------------------|---|--------------|
| 01-229      | BACR15BB3B |                     | ..RIVET-<br>(SIZE DETERMINE ON INST) | D-F,M<br>,N,Q,<br>R,W-Z<br>,AG-A<br>K<br>AQ-AT<br>,AX,A<br>Y,B<br>C-BF,<br>BL-BP<br>BU-BX | 2            |
| 232         | 69B97503-1 |                     | ..TAG-IDENT                          | D-F,M<br>,N,Q,<br>R,W-Z<br>,AG-A<br>K<br>AQ-AT<br>,AX,A<br>Y,B<br>C-BF,<br>BL-BP<br>BU-BX | 1            |
| 235         | 315T4262-2 |                     | ..CASCADE                            | D-F,M<br>,N,Q,<br>R,W-Z<br>,AG-A<br>K<br>AQ-AT<br>,AX,A<br>Y,B<br>C-BF,<br>BL-BP<br>BU-BX | 1            |

# 71-11-56

 ILLUSTRATED PARTS LIST  
 01.1 Page 1024X  
 Nov 01/04

 **BOEING**  
COMPONENT  
MAINTENANCE MANUAL

| FIG. & ITEM | PART NO.   | AIRLINE PART NUMBER | NOMENCLATURE<br>1234567  | EFF CODE  | QTY PER ASSY |
|-------------|------------|---------------------|--|---|--------------|
| 01-238      | 315T4214-3 |                     | .CASCADE ASSY-SPOILED 44 DEG CURVED STRONGBACK (315T4214-3 WITH ITS ATTACHING PARTS I/W 315T3214-7 OR -1 T/W ITS ATTACHING PARTS IN POSITION NO. 15 ONLY)          | E,F,Q<br>,R,W,<br>X,AG,<br>AH,AS<br>,AT<br>AX,BC<br>,BD,B<br>L,BM,<br>BU,BV | 1            |
| 241         | 315T4214-4 |                     | .CASCADE ASSY-SPOILED 44 DEG CURVED STRONGBACK (315T4214-4 WITH ITS ATTACHING PARTS I/W 315T3214-2 OR -8 T/W ITS ATTACHING PARTS)                                  | D,M,N<br>,Y,Z,<br>AJ,AK<br>,AQ,A<br>R,AY<br>BE,BF<br>,BN,B<br>P,BW,<br>BX   | 1            |
| 244         | 315T4214-2 |                     | .CASCADE ASSY-SPOILED 44 DEG CURVED STRONGBACK (315T4214-2 WITH ITS ATTACHING PARTS I/W 315T3214-2 OR -8 T/W ITS ATTACHING PARTS)                                  | E,F,Q<br>,R,W,<br>X,AG,<br>AH,AS<br>,AT<br>AX,BC<br>,BD,B<br>L,BM,<br>BU,BV | 1            |
| 247         | 315T4214-1 |                     | .CASCADE ASSY-SPOILED 44 DEG CURVED STRONGBACK (315T4214-1 TOGETHER WITH ITS ATTACHING PARTS I/W 315T3214-1 OR -7 T/W ITS ATTACHING PARTS IN POSITION NO. 27 ONLY) | D,M,N<br>,Y,Z,<br>AJ,AK<br>,AQ,A<br>R,AY<br>BE,BF<br>,BN,B<br>P,BW,<br>BX   | 1            |

**71-11-56**

ILLUSTRATED PARTS LIST  
01.1 Page 1024Y  
Nov 01/04

| FIG. & ITEM | PART NO.    | AIRLINE PART NUMBER | NOMENCLATURE<br>1234567  | EFF CODE  | QTY PER ASSY |
|-------------|-------------|---------------------|--|---|--------------|
| 01-250      | BACR15CE3B  |                     | ..RIVET-<br>(SIZE DETERMINE ON INST)   | D-F,M<br>,N,Q,<br>R,W-Z<br>,AG-A<br>K<br>AQ-AT<br>,AX,A<br>Y,B<br>C-BF,<br>BL-BP<br>BU-BX | 8            |
| 253         | BRF100C4D   |                     | ..NUTPLATE-<br>(V52828)<br>(SPEC BACN10KB4CFD)<br>(OPT F51604-4<br>(V15653))<br>(OPT 102F9207P4<br>(V72962))<br>(OPT F51604-4<br>(V15653))   | D-F,M<br>,N,Q,<br>R,W-Z<br>,AG-A<br>K<br>AQ-AT<br>,AX,A<br>Y,B<br>C-BF,<br>BL-BP<br>BU-BX | 2            |
| 256         | 315T4210-10 |                     | ..SPACER-RADIUS FILLER   | D-F,M<br>,N,Q,<br>R,W-Z<br>,AG-A<br>K<br>AQ-AT<br>,AX,A<br>Y,B<br>C-BF,<br>BL-BP<br>BU-BX | 2            |
| 259         | BRF200C4D   |                     | ..NUTPLATE-<br>(V52828)<br>(SPEC BACN10JR4CFD)<br>(OPT K51602-4BAC<br>(V15653))<br>(OPT NS202476-048<br>(V80539))<br>(OPT 102F9201-4<br>(V72962))<br>(OPT T8092C428CD<br>(V11815)) | D-F,M<br>,N,Q,<br>R,W-Z<br>,AG-A<br>K<br>AQ-AT<br>,AX,A<br>Y,B<br>C-BF,<br>BL-BP<br>BU-BX | 2            |

# 71-11-56

 ILLUSTRATED PARTS LIST  
 01.1 Page 1024Z  
 Nov 01/04



 **BOEING**  
COMPONENT  
MAINTENANCE MANUAL

| FIG. & ITEM | PART NO.   | AIRLINE PART NUMBER | NOMENCLATURE<br>1234567              | EFF CODE  | QTY PER ASSY |
|-------------|------------|---------------------|--------------------------------------|---|--------------|
| 01-262      | 315T4210-9 |                     | ..SPACER-RADIUS FILLER               | D-F,M<br>,N,Q,<br>R,W-Z<br>,AG-A<br>K<br>AQ-AT<br>,AX,A<br>Y,B<br>C-BF,<br>BL-BP<br>BU-BX | 2            |
| 265         | BACR15BB3B |                     | ..RIVET-<br>(SIZE DETERMINE ON INST) | D-F,M<br>,N,Q,<br>R,W-Z<br>,AG-A<br>K<br>AQ-AT<br>,AX,A<br>Y,B<br>C-BF,<br>BL-BP<br>BU-BX | 2            |
| 268         | 69B97503-1 |                     | ..TAG-IDENT                          | D-F,M<br>,N,Q,<br>R,W-Z<br>,AG-A<br>K<br>AQ-AT<br>,AX,A<br>Y,B<br>C-BF,<br>BL-BP<br>BU-BX | 1            |

71-11-56

ILLUSTRATED PARTS LIST  
01.1 Page 1025  
Nov 01/04

| FIG. & ITEM | PART NO.   | AIRLINE PART NUMBER | NOMENCLATURE<br>1234567          | EFF CODE  | QTY PER ASSY |
|-------------|------------|---------------------|----------------------------------|---|--------------|
| 01-271      | 315T4214-7 |                     | ..CASCADE-<br>(USED ON ITEM 238) | E,F,Q<br>,R,W,<br>X,AG,<br>AH,AS<br>,AT<br>AX,BC<br>,BD,B<br>L,BM,<br>BU,BV | 1            |
| 271A        | 315T4214-8 |                     | ..CASCADE-<br>(USED ON ITEM 241) | D,M,N<br>,Y,Z,<br>AJ,AK<br>,AQ,A<br>R,AY<br>BE,BF<br>,BN,B<br>P,BW,<br>BX   | 1            |
| 280         | 315T4214-5 |                     | ..CASCADE-<br>(USED ON ITEM 247) | D,M,N<br>,Y,Z,<br>AJ,AK<br>,AQ,A<br>R,AY<br>BE,BF<br>,BN,B<br>P,BU,<br>BV   | 1            |
| 280A        | 315T4214-6 |                     | ..CASCADE-<br>(USED ON ITEM 244) | E,F,Q<br>,R,W,<br>X,AG,<br>AH,AS<br>,AT<br>AX,BC<br>,BD,B<br>L,BM,<br>BW,BX | 1            |

# 71-11-56

 ILLUSTRATED PARTS LIST  
 01.1 Page 1026  
 Nov 01/04

**BOEING**  
COMPONENT  
MAINTENANCE MANUAL

| FIG. & ITEM | PART NO.       | AIRLINE PART NUMBER | NOMENCLATURE                            | EFF CODE   | QTY PER ASSY |
|-------------|----------------|---------------------|---|--|--------------|
| 01-283      | 315T3307-53    |                     | .FAIRING INSTL-UPR<br>BIFURCATION TRACK | A-D,L<br>,Y,AF<br>,AK,A<br>P,AR,<br>BA,BE<br>BJ,BN<br>,BS,B<br>W   | 1            |
| -286        | 315T3307-54    |                     | .FAIRING INSTL-UPR<br>BIFURCATION TRACK | E,F,H<br>,W,AA<br>,AC,A<br>H,AM,<br>AT,AV<br>BC,BG<br>,BL,B<br>Q,BU,<br>BY   | 1            |
| 289         | BACS4OR07D011F |                     | ..SHIM                                  | A-F,H<br>,L,W,<br>Y,AA,<br>AC,AF<br>,AH<br>AK,AM<br>,AP,A<br>R,AT,<br>AV,BA<br>,BC<br>BE,BG<br>,BJ,B<br>L,BN,<br>BQ,BS<br>,BU<br>BW,BY | 1            |

71-11-56

ILLUSTRATED PARTS LIST  
01.1 Page 1026A  
Nov 01/04

| FIG. & ITEM | PART NO.    | AIRLINE PART NUMBER | NOMENCLATURE<br>1234567                                | EFF CODE   | QTY PER ASSY |
|-------------|-------------|---------------------|--|--|--------------|
| 01-292      | 315T3307-57 |                     | ..FAIRING ASSY-<br>(REPLD BY ITEM 292A)                | A-D,L<br>,Y,AF<br>,AK,A<br>P,AR,<br>BA,BE<br>BJ,BN<br>,BS,B<br>W           | 1            |
| -292A       | 315T3307-67 |                     | ..FAIRING ASSY-<br>(REPLS ITEM 292)<br>(REPLD BY 292B) | A-D,L<br>,Y,AF<br>,AK,A<br>P,AR,<br>BA,BE<br>BJ,BN<br>,BS,B<br>W           | 1            |
| -292B       | 315T3307-73 |                     | ..FAIRING ASSY-<br>(REPLS ITEM 292A)                   | A-D,L<br>,Y,AF<br>,AK,A<br>P,AR,<br>BA,BE<br>BJ,BN                         | 1            |
| -295        | 315T3307-58 |                     | ..FAIRING ASSY-<br>(REPLD BY ITEM 295A)                | E,F,H<br>,W,AA<br>,AC,A<br>H,AM,<br>AT,AV<br>BC,BG<br>,BL,B<br>Q,BU,<br>BY | 1            |

# 71-11-56

 ILLUSTRATED PARTS LIST  
 01.1 Page 1026B  
 Nov 01/04

**BOEING**  
COMPONENT  
MAINTENANCE MANUAL

| FIG. & ITEM  | PART NO.    | AIRLINE PART NUMBER | NOMENCLATURE   | EFF CODE   | QTY PER ASSY |
|--------------|-------------|---------------------|--|--|--------------|
| 01-<br>-295A | 315T3307-68 |                     | 1234567<br>..FAIRING ASSY-<br>(REPLS ITEM 295)<br>(REPLD BY ITEM 295B) | E,F,H<br>,W,AA<br>,AC,A<br>H,AM,<br>AT,AV<br>BC,BG<br>,BL,B<br>Q,BU,<br>BY   | 1            |
| -295B        | 315T3307-74 |                     | ..FAIRING ASSY-<br>(REPLS ITEM 295A)                                   | E,F,H<br>,W,AA<br>,AC,A<br>H,AM,<br>AT,AV<br>BC,BG<br>,BL,B<br>Q,BU,<br>BY   | 1            |
| 298          | BACB30LR2-3 |                     | ...BOLT  | A-F,H<br>,L,W,<br>Y,AA,<br>AC,AF<br>,AH<br>AK,AM<br>,AP,A<br>R,AT,<br>AV,BA<br>,BC<br>BE,BG<br>,BJ,B<br>L,BN,<br>BQ,BS<br>,BU<br>BW,BY | 1            |

71-11-56

ILLUSTRATED PARTS LIST  
01.1 Page 1026C  
Nov 01/04

| FIG. & ITEM | PART NO.    | AIRLINE PART NUMBER | NOMENCLATURE                           | EFF CODE   | QTY PER ASSY |
|-------------|-------------|---------------------|--|--|--------------|
| 01-301      | BACB30LR2-2 |                     | 1234567<br>...BOLT-<br>(OPT ITEM 301A) | A-F,H<br>,L,W,<br>Y,AA,<br>AC,AF<br>,AH<br>AK,AM<br>,AP,A<br>R,AT,<br>AV,BA<br>,BC<br>BE,BG<br>,BJ,B<br>L,BN,<br>BQ,BS<br>,BU<br>BW,BY | 10           |
| -301A       | BACB30LH2-2 |                     | ...BOLT-<br>(OPT ITEM 301)             | A-F,H<br>,L,W,<br>Y,AA,<br>AC,AF<br>,AH<br>AK,AM<br>,AP,A<br>R,AT,<br>AV,BA<br>,BC<br>BE,BG<br>,BJ,B<br>L,BN,<br>BQ,BS<br>,BU<br>BW,BY | 10           |

# 71-11-56

 ILLUSTRATED PARTS LIST  
 01.1 Page 1026D  
 Nov 01/04

 **BOEING**  
COMPONENT  
MAINTENANCE MANUAL

| FIG. & ITEM | PART NO.     | AIRLINE PART NUMBER | NOMENCLATURE                                     | EFF CODE  | QTY PER ASSY |
|-------------|--------------|---------------------|--|---|--------------|
| 01-307      | BACR15CE5KE  |                     | 1234567<br>...RIVET-<br>(SIZE DETERMINE ON INST) | A-F,H<br>,L,W<br>,Y,AA<br>,AC,AF<br>,AH<br>,AK,AM<br>,AP,A<br>,R,AT<br>,AV,BA<br>,BC<br>,BE,BG<br>,BJ,B<br>,L,BN<br>,BQ,BS<br>,BU<br>,BW,BY | 7            |
| 308         | NAS1398CW5-4 |                     | ...RIVET-<br>(USED ON ITEMS 292, 295)            | A-F,H<br>,L,W<br>,Y,AA<br>,AC,AF<br>,AH<br>,AK,AM<br>,AP,A<br>,R,AT<br>,AV,BA<br>,BC<br>,BE,BG<br>,BJ,B<br>,L,BN<br>,BQ,BS<br>,BU<br>,BW,BY | 3            |

71-11-56

ILLUSTRATED PARTS LIST  
01.1 Page 1026E  
Nov 01/04

| FIG. & ITEM  | PART NO.     | AIRLINE PART NUMBER | NOMENCLATURE   | EFF CODE   | QTY PER ASSY |
|--------------|--------------|---------------------|--|--|--------------|
| 01-<br>-308A | BACR15FP5MP5 |                     | 1234567<br><br>...RIVET-<br>(OPT ITEM 308B)<br>(USED ON ITEMS 292A,<br>292B, 295A, 295B) | A-F,H<br>,L,W,<br>Y,AA,<br>AC,AF<br>,AH<br>AK,AM<br>,AP,A<br>R,AT,<br>AV,BA<br>,BC<br>BE,BG<br>,BJ,B<br>L,BN,<br>BQ,BS<br>,BU<br>BW,BY | 3            |
| -308B        | NAS1398CW5-5 |                     | ...RIVET-<br>(OPT ITEM 308A)<br>(USED ON ITEMS 292A,<br>292B, 295A, 295B)                | A-F,H<br>,L,W,<br>Y,AA,<br>AC,AF<br>,AH<br>AK,AM<br>,AP,A<br>R,AT,<br>AV,BA<br>,BC<br>BE,BG<br>,BJ,B<br>L,BN,<br>BQ,BS<br>,BU<br>BW,BY | 3            |

# 71-11-56

 ILLUSTRATED PARTS LIST  
 01.1 Page 1026F  
 Nov 01/04



| FIG. & ITEM | PART NO.                   | AIRLINE PART NUMBER | NOMENCLATURE<br>1234567                       | EFF CODE   | QTY PER ASSY |
|-------------|----------------------------|---------------------|---|--|--------------|
| 01-310      | 315T3307-38                |                     | ...STRIP-RUB                                  | A-F,H<br>,L,W,<br>Y,AA,<br>AC,AF<br>,AH<br>AK,AM<br>,AP,A<br>R,AT,<br>AV,BA<br>,BC<br>BE,BG<br>,BJ,B<br>L,BN,<br>BQ,BS<br>,BU<br>BW,BY | 1            |
| 311<br>311A | 315T3007-63<br>315T3307-63 |                     | DELETED<br>...ANGLE-TIE<br>(USED ON ITEM 292) | A-D,L<br>,Y,AF<br>,AK,A<br>P,AR,<br>BA,BE<br>BJ,BN<br>,BS,B<br>W   | 1            |
| -311B       | 315T3307-69                |                     | ...ANGLE-TIE<br>(USED ON ITEMS 292A,<br>292B) | A-D,L<br>,Y,AF<br>,AK,A<br>P,AR,<br>BA,BE<br>BJ,BN<br>,BS,B<br>W   | 1            |

**71-11-56**

ILLUSTRATED PARTS LIST  
01.1 Page 1026G  
Nov 01/04

| FIG. & ITEM | PART NO.    | AIRLINE PART NUMBER | NOMENCLATURE                                  | EFF CODE   | QTY PER ASSY |
|-------------|-------------|---------------------|---|--|--------------|
| 01-312      | 315T3307-64 |                     | 1234567<br>...ANGLE-TIE<br>(USED ON ITEM 295) | E,F,H<br>,W,AA<br>,AC,A<br>H,AM,<br>AT,AV<br>BC,BG<br>,BL,B<br>Q,BU,<br>BY   | 1            |
| -312A       | 315T3307-70 |                     | ...ANGLE-TIE<br>(USED ON ITEMS 295A,<br>295B) | E,F,H<br>,W,AA<br>,AC,A<br>H,AM,<br>AT,AV<br>BC,BG<br>,BL,B<br>Q,BU,<br>BY   | 1            |
| 313         | BACR15BA3AD |                     | ...RIVET-<br>(SIZE DETERMINE ON INST)         | A-F,H<br>,L,W,<br>Y,AA,<br>AC,AF<br>,AH<br>AK,AM<br>,AP,A<br>R,AT,<br>AV,BA<br>,BC<br>BE,BG<br>,BJ,B<br>L,BN,<br>BQ,BS<br>,BU<br>BW,BY | 50           |

# 71-11-56

 ILLUSTRATED PARTS LIST  
 01.1 Page 1026H  
 Nov 01/04

 **BOEING**  
COMPONENT  
MAINTENANCE MANUAL

| FIG. & ITEM | PART NO.                    | AIRLINE PART NUMBER | NOMENCLATURE<br>1234567  | EFF CODE   | QTY PER ASSY |
|-------------|-----------------------------|---------------------|--|--|--------------|
| 01-316      | BR2000C3M                   |                     | ...NUTPLATE-<br>(V52828)<br>(SPEC BACN10JR3CM)<br>(OPT K1001-3BAC<br>(V15653))<br>(OPT NS103202SE02<br>(V80539))<br>(OPT T8089C1032<br>(V11815))<br>(OPT VN102D1-02<br>(V92215))<br>(OPT 109A9201-3<br>(V72962)) | A-F,H<br>,L,W,<br>Y,AA,<br>AC,AF<br>,AH<br>AK,AM<br>,AP,A<br>R,AT,<br>AV,BA<br>,BC<br>BE,BG<br>,BJ,B<br>L,BN,<br>BQ,BS<br>,BU<br>BW,BY | 1            |
| 319<br>319A | BR2000C3M<br>NS103191SE02-3 |                     | DELETED<br>...NUTPLATE-<br>(V80539)<br>(SPEC BACN10KE3B3CM)<br>(OPT F51747-3-3DL<br>(V15653))<br>(OPT BRFR220C3-3M<br>(V52828))<br>(OPT 104F9213-3-3<br>(V72962))  | A-F,H<br>,L,W,<br>Y,AA,<br>AC,AF<br>,AH<br>AK,AM<br>,AP,A<br>R,AT,<br>AV,BA<br>,BC<br>BE,BG<br>,BJ,B<br>L,BN,<br>BQ,BS<br>,BU<br>BW,BY | 12           |

**71-11-56**

ILLUSTRATED PARTS LIST  
01.1 Page 1026I  
Nov 01/04

| FIG. & ITEM | PART NO.    | AIRLINE PART NUMBER | NOMENCLATURE   | EFF CODE   | QTY PER ASSY |
|-------------|-------------|---------------------|--|--|--------------|
| 01-322      | 109F9201M82 |                     | 1234567<br>...NUTPLATE-<br>(V72962)<br>(SPEC BACN10JN08CM)<br>(OPT BRFM20C08M<br>(V52828))<br>(OPT MF1001-08BAC<br>(V15653))<br>(OPT NS103218SE82<br>(V80539))<br>(OPT VN252D82<br>(V92215))<br>(OPT 109F9201M82<br>(V72962))<br>(OPT T8125C08C<br>(V11815)) | A-F,H<br>,L,W,<br>Y,AA,<br>AC,AF<br>,AH<br>AK,AM<br>,AP,A<br>R,AT,<br>AV,BA<br>,BC<br>BE,BG<br>,BJ,B<br>L,BN,<br>BQ,BS<br>,BU<br>BW,BY | 11           |
| 323         | BRF100C3D   |                     | ...NUTPLATE-<br>(V52828)<br>(SPEC BACN10KB3CFD)<br>(OPT F51604-3<br>(V15653))<br>(OPT 102F9207P3<br>(V72962))<br>(OPT F51604-3<br>(V15653))  | A-F,H<br>,L,W,<br>Y,AA,<br>AC,AF<br>,AH<br>AK,AM<br>,AP,A<br>R,AT,<br>AV,BA<br>,BC<br>BE,BG<br>,BJ,B<br>L,BN,<br>BQ,BS<br>,BU<br>BW,BY | 1            |

# 71-11-56

 ILLUSTRATED PARTS LIST  
 01.1 Page 1026J  
 Nov 01/04

 **BOEING**  
COMPONENT  
MAINTENANCE MANUAL

| FIG. & ITEM | PART NO.                | AIRLINE PART NUMBER | NOMENCLATURE<br>1234567  | EFF CODE   | QTY PER ASSY |
|-------------|-------------------------|---------------------|--|--|--------------|
| 01-324      | 315T3307-47             |                     | ...FAIRING-<br>(USED ON ITEMS 292,<br>292A)                              | A-D,L<br>,Y,AF<br>,AK,A<br>P,AR,<br>BA,BE<br>BJ,BN<br>,BS,B<br>W           | 1            |
| -324A       | 315T3307-75             |                     | ...FAIRING-<br>(USED ON ITEM 292B)                                       | A-D,L<br>,Y,AF<br>,AK,A<br>P,AR,<br>BA,BE<br>BJ,BN<br>,BS,B<br>W           | 1            |
| -324H       | 315T3307-48             |                     | ...FAIRING-<br>(USED ON ITEMS 295,<br>295A)                              | E,F,H<br>,W,AA<br>,AC,A<br>H,AM,<br>AT,AV<br>BC,BG<br>,BL,B<br>Q,BU,<br>BY | 1            |
| -324J       | 315T3307-76             |                     | ...FAIRING-<br>(USED ON ITEM 295B)                                       | E,F,H<br>,W,AA<br>,AC,A<br>H,AM,<br>AT,AV<br>BC,BG<br>,BL,B<br>Q,BU,<br>BY | 1            |
| 325<br>326  | BRF100C3D<br>315U4305-1 |                     | DELETED<br>.FAIRING INSTL-UPR<br>BIFURCATION<br>(FOR DETAILS SEE FIG. 9) | J,K,M<br>,V,Z,<br>AE,AJ<br>,AN,A<br>Q,AW<br>AY,BB<br>,BF                   | 1            |
| -326A       | 315U4305-105            |                     | .FAIRING INSTL-UPR<br>BIFURCATION<br>(FOR DETAILS SEE FIG. 9)            | BT,BX  | 1            |

**71-11-56**

ILLUSTRATED PARTS LIST  
01.1 Page 1026K  
Nov 01/04

| FIG. & ITEM | PART NO.       | AIRLINE PART NUMBER | NOMENCLATURE<br>1234567  | EFF CODE   | QTY PER ASSY |
|-------------|----------------|---------------------|--|--|--------------|
| 01-<br>-327 | 315U4305-2     |                     | .FAIRING INSTL-UPR<br>BIFURCATION<br>(FOR DETAILS SEE FIG. 9)    | Q,R,T<br>,U,X,<br>AG,AL<br>,AP,A<br>S,AU<br>AX,AZ<br>,BD,B<br>H            | 1            |
| -327A       | 315U4305-106   |                     | .FAIRING INSTL-UPR<br>BIFURCATION<br>(FOR DETAILS SEE FIG. 9)    | BV,BZ  | 1            |
| 328         | 315T3305-155   |                     | .FAIRING INSTL-SKIN UPR<br>TRACK<br>(FOR DETAILS SEE<br>FIG. 17) | A-D,L<br>,Y,AF<br>,AK,A<br>P,AR,<br>BA,BE<br>BJ,BN<br>,BS,B<br>W           | 1            |
| -331        | 315T3305-156   |                     | .FAIRING INSTL-SKIN UPR<br>TRACK<br>(FOR DETAILS SEE<br>FIG. 17) | E,F,H<br>,W,AA<br>,AC,A<br>H,AM,<br>AT,AV<br>BC,BG<br>,BL,B<br>Q,BU,<br>BY | 1            |
| 334         | BACR15BA3AD    |                     | DELETED  |  |              |
| 337         | NS202494-02-2  |                     | DELETED  |  |              |
| 340         | BACB30VF3K5    |                     | DELETED  |  |              |
| 343         | 315T3305-79    |                     | DELETED  |  |              |
| -346        | 315T3305-80    |                     | DELETED  |  |              |
| 349         | BACR15BA3AD    |                     | DELETED  |  |              |
| 352         | NS103191SE02-2 |                     | DELETED  |  |              |
| 355         | 315T3305-75    |                     | DELETED  |  |              |
| -355A       | 315T3305-189   |                     | DELETED  |  |              |
| -358        | 315T3305-76    |                     | DELETED  |  |              |
| -358A       | 315T3305-190   |                     | DELETED  |  |              |
| 361         | BACR15BA3AD    |                     | DELETED  |  |              |
| 364         | NS103191SE02-2 |                     | DELETED  |  |              |
| 367         | NS103194SE02-2 |                     | DELETED  |  |              |
| 370         | 315T3305-71    |                     | DELETED  |  |              |
| -370A       | 315T3305-185   |                     | DELETED  |  |              |
| -373        | 315T3305-72    |                     | DELETED  |  |              |

# 71-11-56

 ILLUSTRATED PARTS LIST  
 01.1 Page 1026L  
 Nov 01/04



**BOEING**  
COMPONENT  
MAINTENANCE MANUAL

| FIG. & ITEM | PART NO.       | AIRLINE PART NUMBER | NOMENCLATURE<br>1234567   | EFF CODE   | QTY PER ASSY |
|-------------|----------------|---------------------|---------------------------|--|--------------|
| 01-         |                |                     |                           |  |              |
| -373A       | 315T3305-186   |                     | DELETED                   |  |              |
| 376         | BACR15BA3AD    |                     | DELETED                   |  |              |
| 379         | NS103191SE02-2 |                     | DELETED                   |  |              |
| 382         | NS103194SE02-2 |                     | DELETED                   |  |              |
| 385         | 315T3305-67    |                     | DELETED                   |  |              |
| -385A       | 315T3305-197   |                     | DELETED                   |  |              |
| -388        | 315T3305-68    |                     | DELETED                   |  |              |
| -388A       | 315T3305-198   |                     | DELETED                   |  |              |
| 391         | BACR15BA3AD    |                     | DELETED                   |  |              |
| 394         | NS103191SE02-2 |                     | DELETED                   |  |              |
| 397         | NS103194SE02-2 |                     | DELETED                   |  |              |
| 400         | 315T3305-63    |                     | DELETED                   |  |              |
| -400A       | 315T3305-201   |                     | DELETED                   |  |              |
| -403        | 315T3305-64    |                     | DELETED                   |  |              |
| -403A       | 315T3305-202   |                     | DELETED                   |  |              |
| 406         | BACR15BA3AD    |                     | DELETED                   |  |              |
| 409         | NS103191SE02-2 |                     | DELETED                   |  |              |
| 412         | NS103194SE02-2 |                     | DELETED                   |  |              |
| 415         | 315T3305-59    |                     | DELETED                   |  |              |
| -415A       | 315T3305-193   |                     | DELETED                   |  |              |
| -418        | 315T3305-60    |                     | DELETED                   |  |              |
| -418A       | 315T3305-194   |                     | DELETED                   |  |              |
| 421         | BACR15BA3AD    |                     | DELETED                   |  |              |
| 424         | NS103191SE02-2 |                     | DELETED                   |  |              |
| 427         | NS103194SE02-2 |                     | DELETED                   |  |              |
| 428         | BACB30NM4K9    |                     | .BOLT                     | A-F,<br>H-N,Q<br>,R,T,<br>U,W,Y<br>,AA,A<br>C<br>AE-AZ | 1            |
| -428A       | BACB30NM4K9    |                     | .BOLT-<br>(OPT ITEM 428B) | V,X,Z<br>,AD,<br>BA-BZ                                 | 1            |
| -428B       | BACB30MR4K9    |                     | .BOLT-<br>(OPT ITEM 428A) | V,X,Z<br>,AD,<br>BA-BZ                                 | 1            |

71-11-56

| FIG. & ITEM | PART NO.    | AIRLINE PART NUMBER | NOMENCLATURE<br>1234567   | EFF CODE                               | QTY PER ASSY |
|-------------|-------------|---------------------|---|--|--------------|
| 01-429      | AN960KD416L |                     | .WASHER   | A-F,<br>H-N,Q<br>,R,<br>T-AA,<br>AC-BZ | AR           |
| 429N        | AN960KD416  |                     | .WASHER   | A-F,<br>H-N,Q<br>,R,<br>T-AA,<br>AC-BZ | AR           |
| 430         | 315T4300-5  |                     | .BIFURCATION INSTL-UPR<br>(FOR DETAILS SEE FIG. 5)              | B-D,J<br>,M,AE<br>,AF,A<br>J,AK        | 1            |
| -430A       | 315T4300-9  |                     | .BIFURCATION INSTL-UPR<br>(LIMITED)<br>(FOR DETAILS SEE FIG. 5) | AW,AY                                  | 1            |
| -430B       | 315T4300-11 |                     | .BIFURCATION INSTL-UPR<br>(FOR DETAILS SEE FIG. 5)              | L,V,Y<br>,Z,A<br>N-AR                  | 1            |
| -430C       | 315T4300-5  |                     | .BIFURCATION INSTL-UPR<br>(LIMITED)<br>(FOR DETAILS SEE FIG. 5) | AW,AY                                  | 1            |
| -430D       | 315T4300-11 |                     | .BIFURCATION INSTL-UPR<br>(LIMITED)<br>(FOR DETAILS SEE FIG. 5) | AW,AY                                  | 1            |
| -430E       | 315T4300-19 |                     | .BIFURCATION INSTL-UPR<br>(FOR DETAILS SEE FIG. 5)              | BB,BF<br>,BK,B<br>P                    | 1            |
| -430F       | 315T4300-9  |                     | .BIFURCATION INSTL-UPR<br>(FOR DETAILS SEE FIG. 5)              | K,N                                    | 1            |

# 71-11-56

 ILLUSTRATED PARTS LIST  
 01.1 Page 1026N  
 Nov 01/04



 **BOEING**  
COMPONENT  
MAINTENANCE MANUAL

| FIG. & ITEM | PART NO.     | AIRLINE PART NUMBER | NOMENCLATURE<br>1234567   | EFF CODE                               | QTY PER ASSY |
|-------------|--------------|---------------------|---|--|--------------|
| 01-<br>-433 | 315T4300-6   |                     | .BIFURCATION INSTL-UPR<br>(FOR DETAILS SEE FIG. 5)                      | F,H,Q<br>,T,AA<br>,AG,A<br>H,AL,<br>AM | 1            |
| -433A       | 315T4300-10  |                     | .BIFURCATION INSTL-UPR<br>(LIMITED)<br>(FOR DETAILS SEE FIG. 5)         | AX,AZ                                  | 1            |
| -433B       | 315T4300-12  |                     | .BIFURCATION INSTL-UPR<br>(FOR DETAILS SEE FIG. 5)                      | W,X,A<br>C,AD,<br>AS-AV                | 1            |
| -433C       | 315T4300-6   |                     | .BIFURCATION INSTL-UPR<br>(LIMITED)<br>(FOR DETAILS SEE FIG. 5)         | AX,AZ                                  | 1            |
| -433D       | 315T4300-12  |                     | .BIFURCATION INSTL-UPR<br>(LIMITED)<br>(FOR DETAILS SEE FIG. 5)         | AX,AZ                                  | 1            |
| -433E       | 315T4300-20  |                     | .BIFURCATION INSTL-UPR<br>(FOR DETAILS SEE FIG. 5)                      | BD,BH<br>,BM,B<br>R                    | 1            |
| -433F       | 315T4300-10  |                     | .BIFURCATION INSTL-UPR<br>(FOR DETAILS SEE FIG. 5)                      | R,U                                    | 1            |
| 436         | 315T3318-187 |                     | .SEAL INSTL-UPR<br>BIFURCATION<br>(FOR DETAILS SEE FIG. 6)              | B-D,J<br>,M,AE<br>,AF,A<br>J,AK        | 1            |
| -436A       | 315T3318-197 |                     | .SEAL INSTL-UPR<br>BIFURCATION<br>(FOR DETAILS SEE FIG. 6)              | K,L,N<br>,V,Y,<br>Z,A<br>N-AR          | 1            |
| -436B       | 315T3318-187 |                     | .SEAL INSTL-UPR<br>BIFURCATION<br>(LIMITED)<br>(FOR DETAILS SEE FIG. 6) | AW,AY                                  | 1            |
| -436C       | 315T3318-197 |                     | .SEAL INSTL-UPR<br>BIFURCATION<br>(LIMITED)<br>(FOR DETAILS SEE FIG. 6) | AW,AY                                  | 1            |
| -436D       | 315T3318-231 |                     | .SEAL INSTL-UPR<br>BIFURCATION<br>(FOR DETAILS SEE FIG. 6)              | BB,BF<br>,BK,B<br>P,BS,<br>BT,BX       | 1            |

**71-11-56**

ILLUSTRATED PARTS LIST  
01.1 Page 10260  
Nov 01/04

| FIG. & ITEM | PART NO.     | AIRLINE PART NUMBER | NOMENCLATURE<br>1234567   | EFF CODE   | QTY PER ASSY |
|-------------|--------------|---------------------|---|--|--------------|
| 01-<br>-439 | 315T3318-188 |                     | .SEAL INSTL-UPR<br>BIFURCATION<br>(FOR DETAILS SEE FIG. 6)              | F,H,Q<br>,T,AA<br>,AG,A<br>H,AL,<br>AM                                       | 1            |
| -439A       | 315T3318-198 |                     | .SEAL INSTL-UPR<br>BIFURCATION<br>(FOR DETAILS SEE FIG. 6)              | R,U,W<br>,X,AC<br>,AD,A<br>S-AV  | 1            |
| -439B       | 315T3318-188 |                     | .SEAL INSTL-UPR<br>BIFURCATION<br>(LIMITED)<br>(FOR DETAILS SEE FIG. 6) | AX,AZ  | 1            |
| -439C       | 315T3318-198 |                     | .SEAL INSTL-UPR<br>BIFURCATION<br>(LIMITED)<br>(FOR DETAILS SEE FIG. 6) | AX,AZ  | 1            |
| -439D       | 315T3318-232 |                     | .SEAL INSTL-UPR<br>BIFURCATION<br>(FOR DETAILS SEE FIG. 6)              | BD,BH<br>,BM,B<br>R,BV,<br>BY,BZ   | 1            |
| -441        | 315T4102-1   |                     | .DUCT INSTL-INNER WALL<br>(FOR DETAILS SEE<br>FIG. 12)                  | W,X,A<br>C,AD,<br>AX,AZ<br>,BC,B<br>D,BG<br>BL,BM<br>,BQ,B<br>R,BU,<br>BV,BZ | 1            |

# 71-11-56

 ILLUSTRATED PARTS LIST  
 01.1 Page 1026P  
 Nov 01/04

 **BOEING**  
COMPONENT  
MAINTENANCE MANUAL

| FIG. & ITEM | PART NO.    | AIRLINE PART NUMBER | NOMENCLATURE<br>1234567   | EFF CODE   | QTY PER ASSY |
|-------------|-------------|---------------------|---|--|--------------|
| 01-<br>-443 | 315T3126-29 |                     | . DUCT INSTL-INLET<br>PRECOOLER<br>(FOR DETAILS SEE FIG. 3)                 | E, F, H<br>, Q, R,<br>T, U, A<br>A, AG,<br>AH, AL<br>AM, A<br>S-AV                     | 1            |
| -443A       | 315T3126-35 |                     | . DUCT INSTL-INLET<br>PRECOOLER<br>(FOR DETAILS SEE FIG. 3)                 | W, AC  | 1            |
| -443B       | 315T3126-29 |                     | . DUCT INSTL-INLET<br>PRECOOLER<br>(LIMITED)<br>(FOR DETAILS SEE FIG. 3)    | AX, AZ   | 1            |
| -443C       | 315T3126-35 |                     | . DUCT INSTL-INLET<br>PRECOOLER<br>(LIMITED)<br>(FOR DETAILS SEE FIG. 3)    | AX, AZ   | 1            |
| -443D       | 315T3126-37 |                     | . DUCT INSTL-INLET<br>PRECOOLER<br>(FOR DETAILS SEE FIG. 3)                 | BD, BH<br>, BM, B<br>R, BV,<br>BY, BZ  | 1            |
| -445        | 315T3128-22 |                     | . SYSTEM INSTL-ZONE<br>VENTILATION<br>(FOR DETAILS SEE FIG. 4)              | A-D, J<br>, K, M,<br>N, AE,<br>AJ, A<br>N-AR   | 1            |
| -445A       | 315T3128-27 |                     | . SYSTEM INSTL-ZONE<br>VENTILATION (REWORK)<br>(FOR DETAILS SEE FIG. 4)     | AF, AK   | 1            |
| -445B       | 315T3128-26 |                     | . SYSTEM INSTL-ZONE<br>VENTILATION<br>(FOR DETAILS SEE FIG. 4)              | L, V, Y<br>, Z, BA<br>, BB, B<br>E, BF,<br>BJ<br>BK, BN<br>, BP, B<br>S, BT,<br>BW, BX | 1            |
| -445C       | 315T3128-22 |                     | . SYSTEM INSTL-ZONE<br>VENTILATION<br>(LIMITED)<br>(FOR DETAILS SEE FIG. 4) | AW, AY   | 1            |

71-11-56

ILLUSTRATED PARTS LIST  
01.1 Page 1026Q  
Nov 01/04

| FIG. & ITEM  | PART NO.    | AIRLINE PART NUMBER | NOMENCLATURE<br>1234567  | EFF CODE   | QTY PER ASSY |
|--------------|-------------|---------------------|--|--|--------------|
| 01-<br>-445D | 315T3128-26 |                     | .SYSTEM INSTL-ZONE<br>VENTILATION<br>(LIMITED)<br>(FOR DETAILS SEE FIG. 4) | AW,AY  | 1            |
| -445E        | 315T3128-27 |                     | .SYSTEM INSTL-ZONE<br>VENTILATION<br>(LIMITED)<br>(FOR DETAILS SEE FIG. 4) | AW,AY  | 1            |
| -447         | 332T4713-1  |                     | .DRAIN INSTL-OVERBOARD<br>(FOR DETAILS SEE<br>FIG. 11)                     | F,H,A<br>A,AH,<br>AM,AT<br>,AV,B<br>U,BV<br>BZ   | 1            |
| -447A        | 332T4713-9  |                     | .DRAIN INSTL-OVERBOARD<br>(FOR DETAILS SEE<br>FIG. 11)                     | Q,R,T<br>,U,X,<br>AD,AG<br>,AL,A<br>S,AU<br>AX,AZ<br>,BC,B<br>D,BG,<br>BH,BL<br>,BM<br>BQ,BR | 1            |
| -447B        | 332T4713-1  |                     | .DRAIN INSTL-OVERBOARD<br>(LIMITED)<br>(FOR DETAILS SEE<br>FIG. 11)        | W,AC   | 1            |
| -447C        | 332T4713-9  |                     | .DRAIN INSTL-OVERBOARD<br>(LIMITED)<br>(FOR DETAILS SEE<br>FIG. 11)        | W,AC   | 1            |
| 449          | 315T4013-54 |                     | .BOLT  | A-F,<br>H-N,Q<br>,R,<br>T-AA,<br>AC-BZ   | 1            |

# 71-11-56

 ILLUSTRATED PARTS LIST  
 01.1 Page 1026R  
 Nov 01/04

| FIG. & ITEM | PART NO.    | AIRLINE PART NUMBER | NOMENCLATURE<br>1234567 | EFF CODE   | QTY PER ASSY |
|-------------|-------------|---------------------|-------------------------|--|--------------|
| 01-451      | 315T4013-55 |                     | .BOLT                   | L,W,Y<br>,AC,A<br>F,AH,<br>AK,AM<br>,AP<br>AR,AT<br>,AV,A<br>W,AX,<br>AY,AZ<br>,BA<br>BC,BE<br>,BG | 1            |
| -451A       | 315T4013-55 |                     | .BOLT                   | B,D,F<br>,H-K,<br>M,N,Q<br>,R,<br>T-V,X<br>Z,AD,<br>AN,AQ<br>,AS,A<br>U,BB,<br>BD,BF<br>BJ-BZ      | AR           |
| 453         | 315T4013-58 |                     | .BOLT                   | A-F,<br>H-N,Q<br>,R,<br>T-AA,<br>AC-BZ   | 5            |
| 455         | 315T4013-57 |                     | .BOLT                   | A-F,<br>H-N,Q<br>,R,<br>T-AA,<br>AC-BZ   | 2            |

**71-11-56**

ILLUSTRATED PARTS LIST  
01.1 Page 1026S  
Nov 01/04

| FIG. & ITEM | PART NO.    | AIRLINE PART NUMBER | NOMENCLATURE<br>1234567 | EFF CODE                              | QTY PER ASSY |
|-------------|-------------|---------------------|-------------------------|---------------------------------------|--------------|
| 01-457      | 315T4013-56 |                     | .BOLT                   | A-F,<br>H-N,Q<br>R,<br>T-AA,<br>AC-BZ | 1            |
| 459         | AN96OKD516L |                     | .WASHER                 | A-F,<br>H-N,Q<br>R,<br>T-AA,<br>AC-BZ | 7            |
| 461         | AN96OKD516  |                     | .WASHER                 | A-F,<br>H-N,Q<br>R,<br>T-AA,<br>AC-BZ | 7            |
| 463         | AN96OKD616L |                     | .WASHER                 | A-F,<br>H-N,Q<br>R,<br>T-AA,<br>AC-BZ | 2            |
| 465         | AN96OKD616  |                     | .WASHER                 | A-F,<br>H-N,Q<br>R,<br>T-AA,<br>AC-BZ | 2            |
| 467         | AN96OKD416L |                     | .WASHER                 | A-F,<br>H-N,Q<br>R,<br>T-AA,<br>AC-BZ | 1            |

# 71-11-56

 ILLUSTRATED PARTS LIST  
 01.1 Page 1026T  
 Nov 01/04

 **BOEING**  
COMPONENT  
MAINTENANCE MANUAL

| FIG. & ITEM | PART NO.    | AIRLINE PART NUMBER | NOMENCLATURE<br>1234567  | EFF CODE                               | QTY PER ASSY |
|-------------|-------------|---------------------|--|--|--------------|
| 01-469      | AN960KD416  |                     | .WASHER  | A-F,<br>H-N,Q<br>,R,<br>T-AA,<br>AC-BZ | 1            |
| 471         | MS21042L5   |                     | .NUT   | A-F,<br>H-N,Q<br>,R,<br>T-AA,<br>AC-BZ | 7            |
| 472         | MS21042L6   |                     | .NUT   | A-F,<br>H-N,Q<br>,R,<br>T-AA,<br>AC-BZ | 2            |
| 473         | MS21042L4   |                     | .NUT   | A-F,<br>H-N,Q<br>,R,<br>T-AA,<br>AC-BZ | 1            |
| 474         | 315T4013-87 |                     | .BOLT-SPECIAL<br>(USE ITEM 474 OR ITEM<br>474A OR ITEM 474B IN<br>ORDER TO ACHIEVE MINIMUM<br>BOLT PROTRUSION THRU<br>ITEM 474N) | V,X,Z<br>,AD,<br>BA-BH                 | 3            |
| -474A       | 315T4013-55 |                     | .BOLT-SPECIAL<br>(USE ITEM 474 OR ITEM<br>474A OR ITEM 474B IN<br>ORDER TO ACHIEVE MINIMUM<br>BOLT PROTRUSION THRU<br>ITEM 474N) | V,X,Z<br>,AD,<br>BA-BH                 | 3            |
| -474B       | 315T4013-93 |                     | .BOLT-SPECIAL<br>(USE ITEM 474 OR ITEM<br>474A OR ITEM 474B IN<br>ORDER TO ACHIEVE MINIMUM<br>BOLT PROTRUSION THRU<br>ITEM 474N) | V,X,Z<br>,AD,<br>BA-BH                 | 3            |
| 474N        | MS21042L5   |                     | .NUT   | V,X,Z<br>,AD,<br>BA-BH                 | 3            |

71-11-56

ILLUSTRATED PARTS LIST  
01.1 Page 1026U  
Nov 01/04

| FIG. & ITEM | PART NO.      | AIRLINE PART NUMBER | NOMENCLATURE<br>1234567                  | EFF CODE  | QTY PER ASSY |
|-------------|---------------|---------------------|--|---|--------------|
| 01-         |               |                     |  |   |              |
| -475        | 315T4013-7001 |                     | DELETED                                  |   |              |
| -475A       | 315T4013-7003 |                     | .COLLECTOR ASSY-COMMON PART              | A   | 1            |
| -475B       | 315T4013-7005 |                     | .COLLECTOR ASSY-COMMON PART              | B-D, J<br>,K, M,<br>N, AE,<br>AF, AJ<br>,AK<br>AP, AR   | 1            |
| -475C       | 315T4013-7009 |                     | .COLLECTOR ASSY-COMMON PART              | L, V, Y<br>,Z, AN<br>,AQ,<br>BA, BB<br>,BE, B<br>F<br>BJ, BK<br>,BN, B<br>P, BS,<br>BT, BW<br>,BX   | 1            |
| -475D       | 315T4013-7005 |                     | .COLLECTOR ASSY-COMMON PART<br>(LIMITED) | AW, AY  | 1            |
| -475E       | 315T4013-7009 |                     | .COLLECTOR ASSY-COMMON PART<br>(LIMITED) | AW, AY  | 1            |
| -478        | 315T4013-7002 |                     | DELETED                                  |   |              |
| -478A       | 315T4013-7004 |                     | .COLLECTOR ASSY-COMMON PART              | E   | 1            |
| -478B       | 315T4013-7006 |                     | .COLLECTOR ASSY-COMMON PART              | F, H, Q<br>,R, T,<br>U, AA,<br>AG, AH<br>,AL<br>AM, AT<br>,AV                                       | 1            |
| -478C       | 315T4013-7010 |                     | .COLLECTOR ASSY-COMMON PART              | W, X, A<br>C, AD,<br>AS, AU<br>,BC, B<br>D, BG<br>BH, BL<br>,BM, B<br>Q, BR,<br>BU, BV<br>,BY<br>BZ | 1            |
| -478D       | 315T4013-7006 |                     | .COLLECTOR ASSY-COMMON PART<br>(LIMITED) | AX, AZ  | 1            |

# 71-11-56

 ILLUSTRATED PARTS LIST  
 01.1 Page 1026V  
 Nov 01/04



| FIG. & ITEM | PART NO.      | AIRLINE PART NUMBER | NOMENCLATURE<br>1234567               | EFF CODE                              | QTY PER ASSY |
|-------------|---------------|---------------------|---------------------------------------|---------------------------------------|--------------|
| 01-478E     | 315T4013-7010 |                     | .COLLECTOR ASSY-COMMON PART (LIMITED) | AX,AZ                                 | 1            |
| 481         | BACB30NM4K9   |                     | ..BOLT                                | A-F,<br>H-N,Q<br>R,<br>T-AA,<br>AC-BZ | 35           |
| 484         | AN960KD416L   |                     | ..WASHER                              | A-F,<br>H-N,Q<br>R,<br>T-AA,<br>AC-BZ | 68           |
| 485         | AN960KD416L   |                     | ..WASHER                              | A-F,<br>H-N,Q<br>R,<br>T-AA,<br>AC-BZ | AR           |
| 486         | AN960KD416    |                     | ..WASHER                              | A-F,<br>H-N,Q<br>R,<br>T-AA,<br>AC-BZ | AR           |
| 487         | BACF3T03E8-8  |                     | ..FILLER                              | A-F,<br>H-N,Q<br>R,<br>T-AA,<br>AC-BZ | 1            |
| 490         | BACB30NM4K8   |                     | ..BOLT                                | A-F,<br>H-N,Q<br>R,<br>T-AA,<br>AC-BZ | 54           |
| 493         | AN960KD416    |                     | ..WASHER                              | A-F,<br>H-N,Q<br>R,<br>T-AA,<br>AC-BZ | 54           |
| 496         | BACR15BA3B    |                     | ..RIVET-<br>(SIZE DETERMINE ON INST)  | A-F,<br>H-N,Q<br>R,<br>T-AA,<br>AC-BZ | 108          |

71-11-56

| FIG. & ITEM | PART NO.      | AIRLINE PART NUMBER | NOMENCLATURE<br>1234567  | EFF CODE   | QTY PER ASSY |
|-------------|---------------|---------------------|--|--|--------------|
| 01-499      | NS202495-048  |                     | ..NUTPLATE-<br>(V80539)<br>(SPEC BACN10KE4DCD)<br>(OPT F51753-4CD<br>(V15653))<br>(OPT ITEM 499A)                  | A-F,<br>H-N,Q<br>,R,<br>T-AA,<br>AC-BZ   | 54           |
| -499A       | NS103193SE048 |                     | ..NUTPLATE-<br>(V80539)<br>(SPEC BACN10KE4DCM)<br>(OPT F51753-4DL<br>(V15653))<br>(OPT ITEM 499)                   | A-F,<br>H-N,Q<br>,R,<br>T-AA,<br>AC-BZ   | 54           |
| -502        | 315T3202-149  |                     | ..BOX INSTL-COWL REVERSER<br>TORQUE<br>(FOR DETAILS SEE FIG. 2)  | A  | 1            |
| -504        | 315T3202-150  |                     | ..BOX INSTL-COWL REVERSER<br>TORQUE<br>(FOR DETAILS SEE FIG. 2)  | E  | 1            |
| -506        | 315T3124-5    |                     | ..DUCT INSTL-EXH   | A  | 1            |
| -506A       | 315T3124-13   |                     | ..DUCT INSTL-EXH   | B-D,<br>J-N,V<br>,Y,Z,<br>AE,AF<br>,AJ,A<br>K<br>AN-AR<br>,AW,A<br>Y,BA,<br>BB,BE<br>,BF<br>BJ,BK<br>,BN,B<br>P,BS,<br>BT,BW<br>,BX<br>DS,DT | 1            |
| -506B       | 315T3124-17   |                     | ..DUCT INSTL-EXH<br>(NHA 315T4295, REF<br>COLLECTOR CMM 78-31-47)<br>(NHA 315U4295, REF<br>COLLECTOR CMM 78-31-48) |  | 1            |
| -506C       | 315T3124-19   |                     | ..DUCT INSTL-EXH<br>(NHA 315U4295, REF<br>COLLECTOR CMM 78-31-48)  | DT   | 1            |

# 71-11-56

 ILLUSTRATED PARTS LIST  
 01.1 Page 1026X  
 Nov 01/04

 **BOEING**  
COMPONENT  
MAINTENANCE MANUAL

| FIG. & ITEM  | PART NO.    | AIRLINE PART NUMBER | NOMENCLATURE<br>1234567  | EFF CODE   | QTY PER ASSY |
|--------------|-------------|---------------------|--|--|--------------|
| 01-<br>-506D | 315T3124-21 |                     | ..DUCT INSTL-EXH<br>(NHA 315U4295, REF<br>COLLECTOR CMM 78-31-48)  | DT   | 1            |
| -506E        | 315T3124-23 |                     | ..DUCT INSTL-EXH<br>(NHA 315U4295, REF<br>COLLECTOR CMM 78-31-48)  | DT   | 1            |
| -506F        | 315T3124-25 |                     | ..DUCT INSTL-EXH<br>(NHA 315U4295, REF<br>COLLECTOR CMM 78-31-48)  | DT   | 1            |
| -506G        | 315T3124-27 |                     | ..DUCT INSTL-EXH<br>(NHA 315T4295, REF<br>COLLECTOR CMM 78-31-47)  | DS   | 1            |
| -506H        | 315T3124-29 |                     | ..DUCT INSTL-EXH<br>(NHA 315T4295, REF<br>COLLECTOR CMM 78-31-47)  | DS   | 1            |
| -508         | 315T3124-9  |                     | DELETED  |  |              |
| -508A        | 315T3124-10 |                     | ..DUCT INSTL-EXH   | E  | 1            |
| -508B        | 315T3124-12 |                     | DELETED  |  |              |
| -508C        | 315T3124-16 |                     | ..DUCT INSTL-EXH   | F, H, Q<br>, R, T,<br>U, W, X<br>, AA, A<br>C, AD<br>AG, AH<br>, AL, A<br>M, A<br>S-AV,<br>BC, BD<br>BG, BH<br>, BL, B<br>M, BQ,<br>BR, BU<br>, BV<br>BY, BZ<br>DU, DV | 1            |
| -508D        | 315T3124-18 |                     | ..DUCT INSTL-EXH<br>(NHA 315T4295, REF<br>COLLECTOR CMM 78-31-47)<br>(NHA 315U4295, REF<br>COLLECTOR CMM 78-31-48) |  | 1            |
| -508E        | 315T3124-20 |                     | ..DUCT INSTL-EXH<br>(NHA 315U4295, REF<br>COLLECTOR CMM 78-31-48)  | DV   | 1            |
| -508F        | 315T3124-22 |                     | ..DUCT INSTL-EXH<br>(NHA 315U4295, REF<br>COLLECTOR CMM 78-31-48)  | DV   | 1            |

**71-11-56**

ILLUSTRATED PARTS LIST  
01.1 Page 1026Y  
Nov 01/04

| FIG. & ITEM  | PART NO.    | AIRLINE PART NUMBER | NOMENCLATURE<br>1234567  | EFF CODE   | QTY PER ASSY |
|--------------|-------------|---------------------|--|--|--------------|
| 01-<br>-508G | 315T3124-24 |                     | ..DUCT INSTL-EXH<br>(NHA 315U4295, REF<br>COLLECTOR CMM 78-31-48)  | DV   | 1            |
| -508H        | 315T3124-26 |                     | ..DUCT INSTL-EXH<br>(NHA 315U4295, REF<br>COLLECTOR CMM 78-31-48)  | DV   | 1            |
| -508J        | 315T3124-28 |                     | ..DUCT INSTL-EXH<br>(NHA 315T4295, REF<br>COLLECTOR CMM 78-31-47)  | DU   | 1            |
| -508K        | 315T3124-30 |                     | ..DUCT INSTL-EXH<br>(NHA 315T4295, REF<br>COLLECTOR CMM 78-31-47)  | DU   | 1            |
| 510          | HL11VAZ6-19 |                     | ...BOLT-<br>(V60516)<br>(SPEC BACB30NW6K19)<br>(OPT B30NW6K19<br>(V97928))<br>(OPT HL11VAZ6-19<br>(V73197))<br>(OPT HL11VAZ6-19<br>(V92215))<br>(OPT HL11VAZ6-19<br>(V97928))<br>(OPT L803-6K19<br>(V06725))<br>(OPT HL11VAZ6-19<br>(V0PTK6))<br>(OPT HL11VAZ6-19<br>(V56878)) | A-D, F<br>, H-N,<br>Q, R,<br>T-AA,<br>AC-AW<br>AY, B<br>A-BZ,<br>DS-DV | 16           |

# 71-11-56

 ILLUSTRATED PARTS LIST  
 01.1 Page 1026Z  
 Nov 01/04

 **BOEING**  
COMPONENT  
MAINTENANCE MANUAL

| FIG. & ITEM        | PART NO.                             | AIRLINE PART NUMBER | NOMENCLATURE<br>1234567  | EFF CODE   | QTY PER ASSY |
|--------------------|--------------------------------------|---------------------|--|--|--------------|
| 01-511             | HL11VAZ6-19                          |                     | ...BOLT-<br>(V60516)<br>(SPEC BACB30NW6K19)<br>(OPT B30NW6K19<br>(V97928))<br>(OPT HL11VAZ6-19<br>(V73197))<br>(OPT HL11VAZ6-19<br>(V92215))<br>(OPT HL11VAZ6-19<br>(V97928))<br>(OPT L803-6K19<br>(V06725))<br>(OPT HL11VAZ6-19<br>(V0PTK6))<br>(OPT HL11VAZ6-19<br>(V56878)) | E  | 32           |
| 512<br>512A        | BACS40R7B10F<br>BACS40R007B010F      |                     | DELETED<br>...SHIM   | A-D, F<br>,H-N,<br>Q,R,<br>T-AA,<br>AC-AW<br>AY,B<br>A-BZ,<br>DS-DV      | AR           |
| 513<br>514<br>514A | BACS40R7B10F<br>BACC30AB6<br>HL97DU6 |                     | ...SHIM<br>DELETED<br>...COLLAR-<br>(V73197)<br>(SPEC BACC30AB6S)<br>(OPT HL97DU6<br>(V92215))<br>(OPT HL97DU6<br>(V56878))  | E<br>A-D, F<br>,H-N,<br>Q,R,<br>T-AA,<br>AC-AW<br>AY,B<br>A-BZ,<br>DS-DV | AR<br>16     |

71-11-56

| FIG. & ITEM        | PART NO.             | AIRLINE PART NUMBER | NOMENCLATURE<br>1234567  | EFF CODE  | QTY PER ASSY |
|--------------------|----------------------|---------------------|--|---|--------------|
| 01-<br>515<br>515A | BACC30AB6<br>HL97DU6 |                     | DELETED<br>...COLLAR-<br>(V73197)<br>(SPEC BACC30AB6S)<br>(OPT HL97DU6<br>(V92215))<br>(OPT HL97DU6<br>(V56878)) | E   | 32           |
| 516                | 315T3135-1           |                     | ...GASKET  | A-D, F<br>,H-N,<br>Q,R,<br>T-AA,<br>AC-AW<br>AY,B<br>A-BZ,<br>DS-DV | 2            |
| 517                | 315T3135-1           |                     | ...GASKET  | E   | 4            |
| 518                | 315T3135-2           |                     | ...GASKET  | A-D, F<br>,H-N,<br>Q,R,<br>T-AA,<br>AC-AW<br>AY,B<br>A-BZ,<br>DS-DV | 1            |
| 519                | 315T3135-2           |                     | ...GASKET  | E   | 2            |
| 520                | 315T3135-3           |                     | ...GASKET  | A-D, F<br>,H-N,<br>Q,R,<br>T-AA,<br>AC-AW<br>AY,B<br>A-BZ           | 1            |

# 71-11-56

 ILLUSTRATED PARTS LIST  
 01.1 Page 1028  
 Nov 01/04

| FIG. & ITEM | PART NO.        | AIRLINE PART NUMBER | NOMENCLATURE<br>1234567 | EFF CODE   | QTY PER ASSY |
|-------------|-----------------|---------------------|-------------------------|--|--------------|
| 01-         |                 |                     |                         |  |              |
| 521         | 315T3135-3      |                     | ...GASKET               | E  | 2            |
| -521A       | HL11VAZ6-14     |                     | .BOLT-                  | B-D,F  | 1            |
| 522         | NAS514P1032-12P |                     | ...SCREW-<br>(LIMITED)  | A  | 8            |
| -522A       | NAS514P1032-8P  |                     | ...SCREW-<br>(LIMITED)  | A  | 8            |
| -522B       | NAS514P1032-8P  |                     | DELETED                 |  |              |
| -522C       | BACB30LH3U3     |                     | ...BOLT                 | B-D,F<br>,H-N,<br>Q,R,<br>T-AA,<br>AC-AW<br>AY,B<br>A-BZ,<br>DS-DV | 8            |
| 523         | NAS514P1032-8P  |                     | ...SCREW-<br>(LIMITED)  | E  | 16           |
| 523H        | NAS514P1032-8P  |                     | ...SCREW-<br>(LIMITED)  | E  | 8            |
| 523P        | NAS514P1032-14P |                     | ...SCREW-<br>(LIMITED)  | E  | 8            |
| 524         | AN960XC10       |                     | ...WASHER               | A  | 8            |
| -524A       | AN960C10        |                     | ...WASHER               | B-D,F<br>,H-N,<br>Q,R,<br>T-AA,<br>AC-AW<br>AY,B<br>A-BZ,<br>DS-DV | 8            |

71-11-56

| FIG. & ITEM       | PART NO.             | AIRLINE PART NUMBER | NOMENCLATURE<br>1234567   | EFF CODE  | QTY PER ASSY |
|-------------------|----------------------|---------------------|---|---|--------------|
| 01-<br>525<br>526 | AN960XC10<br>BRH10C3 |                     | ...WASHER<br>...NUT-<br>(V52828)<br>(SPEC BACN10JC3C)<br>(OPT T6C1032J<br>(V11815))<br>(OPT 97-02<br>(V80539))<br>(OPT 101LH9075-3W<br>(V72962))<br>(OPT VN303B02<br>(V92215))<br>(OPT NS202101S02<br>(V80539))<br>(OPT H31-3BAC<br>(V15653)) | E<br>A-D,F<br>,H-N,<br>Q,R,<br>T-AA,<br>AC-AW<br>AY,B<br>A-BZ,<br>DS-DV | 16<br>8      |
| 527               | BRH10C3              |                     | ...NUT-<br>(V52828)<br>(SPEC BACN10JC3C)<br>(OPT T6C1032J<br>(V11815))<br>(OPT 97-02<br>(V80539))<br>(OPT 101LH9075-3W<br>(V72962))<br>(OPT VN303B02<br>(V92215))<br>(OPT NS202101S02<br>(V80539))<br>(OPT H31-3BAC<br>(V15653))              | E   | 16           |
| 528               | 315T3124-7           |                     | ...SHIM-<br>(LIMITED)<br>(SH AIAI 301 7.9 X 7.9<br>X .100 PER MIL-S-5059)<br>(USED WITH ITEMS 522,<br>530)  | A   | 2            |
| 530               | BOE2040              |                     | ...SEAL-<br>(LIMITED)<br>(V16632)<br>(SPEC S332T308-1)  | A   | 1            |

# 71-11-56

 ILLUSTRATED PARTS LIST  
 01.1 Page 1028B  
 Nov 01/04



**BOEING**  
COMPONENT  
MAINTENANCE MANUAL

| FIG. & ITEM  | PART NO.     | AIRLINE PART NUMBER | NOMENCLATURE<br>1234567   | EFF CODE  | QTY PER ASSY |
|--------------|--------------|---------------------|---|---|--------------|
| 01-<br>-530A | BOE2040-0004 |                     | ...SEAL-<br>(LIMITED)<br>(V16632)<br>(SPEC S332T308-4)<br>(BOE2040-0004 I/W<br>BOE2040 AT SURGE BLEED<br>PORT NO. 1)<br>(BOE2040-0004 I/W<br>BOE2040 TOGETHER WITH 3<br>EACH 315T3124-7 SHIMS AT<br>SURGE BLEED PORT NO. 2)<br>BOE2040-0004 I/W<br>BOE2040 TOGETHER WITH 2<br>EACH 315T3124-7 SHIMS AT<br>SURGE BLEED PORT NO. 4) | A   | 1            |
| -530B        | BOE2040-0004 |                     | ...SEAL-<br>(V16632)<br>(SPEC S332T308-4)   | B-F,<br>H-N,Q<br>,R,<br>T-AA,<br>AC-AW<br>,AY<br>BA-BR<br>,DS-D<br>V<br>A | 1            |
| 531          | HL11VAZ6-3   |                     | ...BOLT-<br>(V60516)<br>(SPEC BACB30NW6K3)<br>(OPT B30NW6K3<br>(V97928))<br>(OPT HL11VAZ6-3<br>(V73197))<br>(OPT HL11VAZ6-3<br>(V92215))<br>(OPT HL11VAZ6-3<br>(V97928))<br>(OPT L803-6K3<br>(V06725))<br>(OPT HL11VAZ6-3<br>(V0PTK6))<br>(OPT HL11VAZ6-3<br>(V56878))  | A   | 12           |

71-11-56

ILLUSTRATED PARTS LIST  
01.1 Page 1028C  
Nov 01/04

| FIG. & ITEM | PART NO.   | AIRLINE PART NUMBER | NOMENCLATURE<br>1234567  | EFF CODE | QTY PER ASSY |
|-------------|------------|---------------------|--|----------|--------------|
| 01-532      | HL11VAZ6-4 |                     | ...BOLT-<br>(V60516)<br>(SPEC BACB30NW6K4)<br>(OPT HL11V6-4<br>(V92215))<br>(OPT HL11V6-4<br>(V97928))<br>(OPT L803-6-4<br>(V06725))<br>(OPT B30NW6K4<br>(V97928))<br>(OPT HL11VAZ6-4<br>(V73197))<br>(OPT HL11VAZ6-4<br>(V92215))<br>(OPT HL11VAZ6-4<br>(V56878)) | A        | 5            |
| 533         | HL11VAZ6-4 |                     | ...BOLT-<br>(V60516)<br>(SPEC BACB30NW6K4)<br>(OPT HL11V6-4<br>(V92215))<br>(OPT HL11V6-4<br>(V97928))<br>(OPT L803-6-4<br>(V06725))<br>(OPT B30NW6K4<br>(V97928))<br>(OPT HL11VAZ6-4<br>(V73197))<br>(OPT HL11VAZ6-4<br>(V92215))<br>(OPT HL11VAZ6-4<br>(V56878)) | E        | 10           |

# 71-11-56

 ILLUSTRATED PARTS LIST  
 01.1 Page 1028D  
 Nov 01/04

| FIG. & ITEM | PART NO.   | AIRLINE PART NUMBER | NOMENCLATURE<br>1234567  | EFF CODE   | QTY PER ASSY |
|-------------|------------|---------------------|--|--|--------------|
| 01-534      | HL11VAZ6-3 |                     | ...BOLT-<br>(V60516)<br>(SPEC BACB30NW6K3)<br>(OPT B30NW6K3<br>(V97928))<br>(OPT HL11VAZ6-3<br>(V73197))<br>(OPT HL11VAZ6-3<br>(V92215))<br>(OPT HL11VAZ6-3<br>(V97928))<br>(OPT L803-6K3<br>(V06725))<br>(OPT HL11VAZ6-3<br>(V0PTK6))<br>(OPT HL11VAZ6-3<br>(V56878)) | B-D,F<br>,H-N,<br>Q,R,<br>T-AA,<br>AC-AW<br>AY,B<br>A-BZ,<br>DS-DV | 21           |
| 535         | HL11VAZ6-3 |                     | ...BOLT-<br>(V60516)<br>(SPEC BACB30NW6K3)<br>(OPT B30NW6K3<br>(V97928))<br>(OPT HL11VAZ6-3<br>(V73197))<br>(OPT HL11VAZ6-3<br>(V92215))<br>(OPT HL11VAZ6-3<br>(V97928))<br>(OPT L803-6K3<br>(V06725))<br>(OPT HL11VAZ6-3<br>(V0PTK6))<br>(OPT HL11VAZ6-3<br>(V56878)) | E  | 24           |

71-11-56

ILLUSTRATED PARTS LIST  
01.1 Page 1028E  
Nov 01/04

| FIG. & ITEM        | PART NO.                   | AIRLINE PART NUMBER | NOMENCLATURE<br>1234567  | EFF CODE   | QTY PER ASSY |
|--------------------|----------------------------|---------------------|--|--|--------------|
| 01-<br>536<br>536A | BACC30AB6<br>HL97DU6       |                     | DELETED<br>...COLLAR-<br>(V73197)<br>(SPEC BACC30AB6S)<br>(OPT HL97DU6<br>(V92215))<br>(OPT HL97DU6<br>(V56878)) | B-D, F<br>,H-N,<br>Q,R,<br>T-AA,<br>AC-AW<br>AY,B<br>A-BZ,<br>DS-DV  | 21           |
| 536H               | HL97DU6                    |                     | ...COLLAR-<br>(V73197)<br>(SPEC BACC30AB6S)<br>(OPT HL97DU6<br>(V92215))<br>(OPT HL97DU6<br>(V56878))            | A  | 17           |
| 537<br>537A        | BACC30AB6<br>HL97DU6       |                     | DELETED<br>...COLLAR-<br>(V73197)<br>(SPEC BACC30AB6S)<br>(OPT HL97DU6<br>(V92215))<br>(OPT HL97DU6<br>(V56878)) | E  | 34           |
| 538<br>-538A       | 315T3123-37<br>315T3123-49 |                     | ...DUCT ASSY<br>...DUCT ASSY-<br>(LIMITED)   | A<br>B-D,<br>J-N,V<br>,Y,Z,<br>AE,AF<br>,AJ,A<br>K<br>AN-AR<br>,AW,A<br>Y,BA,<br>BB,BE<br>,BF<br>BJ,BK<br>,BN,B<br>P,BS,<br>BT,BW<br>,BX | 1<br>1       |

71-11-56

ILLUSTRATED PARTS LIST  
01.1 Page 1028F  
Nov 01/04

**BOEING**  
COMPONENT  
MAINTENANCE MANUAL

| FIG. & ITEM  | PART NO.    | AIRLINE PART NUMBER | NOMENCLATURE<br>1234567          | EFF CODE  | QTY PER ASSY |
|--------------|-------------|---------------------|----------------------------------|---|--------------|
| 01-<br>-538B | 315T3123-55 |                     | ...DUCT ASSY-<br>(LIMITED)       | B-D,<br>J-N,V<br>,Y,Z,<br>AE,AF<br>,AJ,A<br>K<br>AN-AR<br>,AW,A<br>Y,BA,<br>BB,BE<br>,BF<br>BJ,BK<br>,BN,B<br>P,BS,<br>BT,BW<br>,BX                             | 1            |
| -538C        | 315T3123-55 |                     | ...DUCT ASSY                     | DS,DT   | 1            |
| 539          | 315T3123-24 |                     | ...DUCT ASSY-<br>(OPT ITEM 539A) | E   | 1            |
| -539A        | 315T3123-37 |                     | ...DUCT ASSY-<br>(OPT ITEM 539)  | E   | 1            |
| 539B         | 315T3123-50 |                     | DELETED                          |   |              |
| 540          | 315T3114-30 |                     | ...DUCT ASSY                     | E   | 1            |
| -540A        | 315T3114-32 |                     | ...DUCT ASSY                     | F,H,Q<br>,R,T,<br>U,W,X<br>,AA,A<br>C,AD<br>AG,AH<br>,AL,A<br>M,A<br>S-AV,<br>AX,AZ<br>BA,BC<br>,BE,B<br>G,BL,<br>BM,BQ<br>,BR<br>BU,BV<br>,BY,B<br>Z,DU,<br>DV | 1            |

**71-11-56**

ILLUSTRATED PARTS LIST  
01.1 Page 1028G  
Nov 01/04

| FIG. & ITEM | PART NO.      | AIRLINE PART NUMBER | NOMENCLATURE<br>1234567  | EFF CODE | QTY PER ASSY |
|-------------|---------------|---------------------|--|----------|--------------|
| 01-         |               |                     |  |          |              |
| 541         | BACB30VF3K3   |                     | DELETED  |          |              |
| 541A        | BACB30LH3U3   |                     | DELETED  |          |              |
| 541B        | BACB30VF3K2   |                     | ...BOLT  | E        | 8            |
| 541C        | BACB30LH3DU4  |                     | ...BOLT  | E        | 4            |
| 541F        | AN960C10      |                     | ...WASHER  | E        | 12           |
| 541J        | BRH10C3       |                     | ...NUT-<br>(V52828)<br>(SPEC BACN10JC3C)<br>(OPT T6C1032J<br>(V11815))<br>(OPT 97-02<br>(V80539))<br>(OPT 101LH9075-3W<br>(V72962))<br>(OPT VN303B02<br>(V92215))<br>(OPT NS202101S02<br>(V80539))<br>(OPT H31-3BAC<br>(V15653)) | E        | 8            |
| 541M        | BACN10JD103AU |                     | ...NUT   | E        | 4            |
| 541Q        | S332T308-7    |                     | ...SEAL  | E        | 1            |
| 541T        | 315T3124-11   |                     | ...PLATE-ADAPTER   | E        | 1            |
| 541U        | 315T3124-14   |                     | DELETED  |          |              |
| 542         | 315T3126-27   |                     | DELETED  |          |              |
| 542A        | 315T3126-29   |                     | DELETED  |          |              |
| 544         | 315T4100-1    |                     | ..WALL ASSY-INNER  | A        | 1            |
| 544A        | 315U4100-1    |                     | DELETED  |          |              |
| -545        | 315T4100-10   |                     | ..WALL ASSY-INNER  | E        | 1            |

# 71-11-56

 ILLUSTRATED PARTS LIST  
 01.1 Page 1028H  
 Nov 01/04

 **BOEING**  
COMPONENT  
MAINTENANCE MANUAL

| FIG. & ITEM | PART NO.    | AIRLINE PART NUMBER | NOMENCLATURE<br>1234567  | EFF CODE | QTY PER ASSY |
|-------------|-------------|---------------------|--|----------|--------------|
| 01-         |             |                     |  |          |              |
| -545A       | 315U4100-2  |                     | DELETED  |          |              |
| -545B       | 315U4100-14 |                     | DELETED  |          |              |
| 545D        | BACR15CE4B  |                     | ...RIVET-<br>(SIZE DETERMINE ON INST)  | A,E      | 87           |
| 545G        | 315T4100-3  |                     | ...STRIP-RUB   | A        | 1            |
| -545K       | 315T4100-4  |                     | ...STRIP-RUB   | E        | 1            |
| 545M        | 315T4100-5  |                     | ...STRIP-RUB   | A        | 1            |
| -545P       | 315T4100-9  |                     | ...STRIP-RUB   | E        | 1            |
| 545R        | 315T4100-7  |                     | ...STRIP-RUB   | A        | 1            |
| -545T       | 315T4100-8  |                     | ...STRIP-RUB   | E        | 1            |
| 545V        | BACB30NW6K  |                     | ...BOLT-<br>(SIZE DETERMINE ON INST)   | A,E      | 6            |
| 545X        | HL79-6      |                     | ...COLLAR-<br>(V5M902)<br>(SPEC BACC30M6)<br>(OPT HL79-6<br>(V73197))<br>(OPT HL79-6<br>(V92215))<br>(OPT 66014-6<br>(V56878))<br>(OPT HL79-6<br>(V56878)) | A,E      | 6            |
| 545Z        | 315T3554-2  |                     | ...CATCH-COWL  | A,E      | 1            |
| -546        | 315T4100-2  |                     | DELETED  |          |              |
| 546A        | 315T4145-1  |                     | ...PANEL ASSY-SKIN   | A        | 1            |
| 546B        | 315U4101-1  |                     | DELETED  |          |              |
| -546G       | 315T4145-20 |                     | ...PANEL ASSY-SKIN   | E        | 1            |
| -546H       | 315U4101-2  |                     | DELETED  |          |              |
| -546J       | 315U4101-64 |                     | DELETED  |          |              |
| -546K       | 315U4101-79 |                     | DELETED  |          |              |

71-11-56

ILLUSTRATED PARTS LIST  
01.1 Page 1028I  
Nov 01/04

| FIG. & ITEM | PART NO.      | AIRLINE PART NUMBER | NOMENCLATURE<br>1234567   | EFF CODE                               | QTY PER ASSY |
|-------------|---------------|---------------------|---|--|--------------|
| 01-         |               |                     |   |  |              |
| 547         | BACB30VF4K4   |                     | DELETED   |  |              |
| 547C        | BACR15CE3KE   |                     | DELETED   |  |              |
| 547F        | NS103190-048  |                     | DELETED   |  |              |
| 547J        | NAS463XDD416M |                     | DELETED   |  |              |
| 547K        | NAS463XDD416  |                     | DELETED   |  |              |
| 548         | 315T3128-21   |                     | ..SYSTEM INSTL-ZONE<br>VENTILATION<br>(FOR DETAILS SEE FIG. 4)  | A                                      | 1            |
| 548A        | 315T3128-22   |                     | DELETED   |  |              |
| 550         | BACB30NN5K16  |                     | DELETED   |  |              |
| 550A        | 315T4013-43   |                     | DELETED   |  |              |
| 552         | BACB30NN5K14  |                     | DELETED   |  |              |
| 552G        | HST11AG10-14  |                     | ..BOLT-<br>(V06725)<br>(SPEC BACB30VU10K14)<br>(OPT HST11AG10-14<br>(V73197))<br>(OPT HST11AG10-14<br>(VOPTK6))<br>(OPT HST11AG10-14<br>(V56878)) | A-F,<br>H-N,Q<br>,R,<br>T-AA,<br>AC-BZ | 4            |
| 553         | HL11VAZ10-14  |                     | DELETED   |  |              |
| 554         | MS21042L5     |                     | ..NUT   | A-F,<br>H-N,Q<br>,R,<br>T-AA,<br>AC-BZ | 4            |
| 556         | BACB30NN6K16  |                     | DELETED   |  |              |
| 556A        | 315T4013-44   |                     | DELETED   |  |              |
| 558         | MS21042L6     |                     | DELETED   |  |              |
| 560         | BACB30NN4K16  |                     | DELETED   |  |              |
| 560A        | 315T4013-42   |                     | DELETED   |  |              |

# 71-11-56

 ILLUSTRATED PARTS LIST  
 01.1 Page 1028J  
 Nov 01/04



| FIG. & ITEM       | PART NO.                | AIRLINE PART NUMBER | NOMENCLATURE<br>1234567                             | EFF CODE  | QTY PER ASSY |
|-------------------|-------------------------|---------------------|---|---|--------------|
| 01-<br>562<br>563 | MS21042L4<br>315T4013-9 |                     | DELETED<br>..SHIM                                   | A-F,<br>H-N,Q<br>,R,<br>T-AA,<br>AC-BZ  | 1            |
| 564               | 315T4013-10             |                     | ..SHIM  | A-F,<br>H-N,Q<br>,R,<br>T-AA,<br>AC-BZ  | 1            |
| 566               | 315T4013-13             |                     | ..SHIM  | A-F,<br>H-N,Q<br>,R,<br>T-AA,<br>AC-BZ  | 1            |
| 568               | 315T4300-1              |                     | ..BIFURCATION INSTL-UPR<br>(FOR DETAILS SEE FIG. 5) | A   | 1            |
| -568A             | 315T4300-5              |                     | DELETED   |   |              |
| -570              | 315T4300-2              |                     | ..BIFURCATION INSTL-UPR<br>(FOR DETAILS SEE FIG. 5) | E   | 1            |
| -570A             | 315T4300-6              |                     | DELETED   |   |              |
| 572               | NAS623-3-21             |                     | ..SCREW   | A-D,<br>J-N,V<br>,Y,Z,<br>AE,AF<br>,AJ,A<br>K<br>AN-AR<br>,AW,A<br>Y,BA,<br>BB,BE<br>,BF<br>BJ,BK<br>,BN,B<br>P,BS,<br>BT,BW<br>,BX | 1            |

71-11-56

| FIG. & ITEM | PART NO.    | AIRLINE PART NUMBER | NOMENCLATURE<br>1234567  | EFF CODE  | QTY PER ASSY |
|-------------|-------------|---------------------|--|---|--------------|
| 01-574      | NAS623-3-20 |                     | ..SCREW  | E,F,H<br>,Q,R,<br>T,U,W<br>,X,AA<br>,AC<br>AD,AG<br>,AH,A<br>L,AM,<br>AS-AV<br>,AX<br>AZ,BC<br>,BD,B<br>G,BH,<br>BL,BM<br>,BQ<br>BR,BU<br>,BV,B<br>Y,BZ | 1            |
| 576         | NAS623-3-20 |                     | ..SCREW  | A-F,<br>H-N,Q<br>,R,<br>T-AA,<br>AC-BZ  | 1            |
| 578         | AN960PD10   |                     | ..WASHER   | A-F,<br>H-N,Q<br>,R,<br>T-AA,<br>AC-BZ  | 2            |
| 580         | BRH10C3M    |                     | ..NUT-<br>(V52828)<br>(SPEC BACN10JC3CM)<br>(OPT T6C1032JM<br>(V11815))<br>(OPT 97E02<br>(V80539))<br>(OPT 109LH9075-3W<br>(V72962))<br>(OPT VN303D02<br>(V92215))<br>(OPT NS202101SE02<br>(V80539))<br>(OPT H01-3BAC<br>(V15653)) | A-F,<br>H-N,Q<br>,R,<br>T-AA,<br>AC-BZ  | 2            |

# 71-11-56

 ILLUSTRATED PARTS LIST  
 01.1 Page 1028L  
 Nov 01/04

 **BOEING**  
COMPONENT  
MAINTENANCE MANUAL

| FIG. & ITEM | PART NO.    | AIRLINE PART NUMBER | NOMENCLATURE<br>1234567   | EFF CODE  | QTY PER ASSY |
|-------------|-------------|---------------------|---|---|--------------|
| 01-582      | HL13VAZ6-19 |                     | ..BOLT-<br>(V56878)<br>(SPEC BACB30NY6K19)<br>(OPT HL13VAZ6-19<br>(V73197))<br>(OPT HL13VAZ6-19<br>(V92215))<br>(OPT HL13VAZ6-19<br>(V97928))<br>(OPT L801-6K19<br>(V06725))<br>(OPT HL13VAZ6-19<br>(V08524))<br>(OPT HL13V19<br>(V06725))<br>(OPT HL13VAZ6-19<br>(V17446)) | A-D,<br>J-N,V<br>,Y,Z,<br>AE,AF<br>,AJ,A<br>K<br>AN-AR<br>,AW,A<br>Y,BA,<br>BB,BE<br>,BF<br>BJ,BK<br>,BN,B<br>P,BS,<br>BT,BW<br>,BX                     | 1            |
| -584        | HL13VAZ6-18 |                     | ..BOLT-<br>(V56878)<br>(SPEC BACB30NY6K18)<br>(OPT HL13VAZ6-18<br>(V73197))<br>(OPT HL13VAZ6-18<br>(V92215))<br>(OPT HL13VAZ6-18<br>(V97928))<br>(OPT L801-6K18<br>(V06725))<br>(OPT HL13VAZ6-18<br>(V08524))<br>(OPT HL13V18<br>(V06725))<br>(OPT HL13VAZ6-18<br>(V17446)) | E,F,H<br>,Q,R,<br>T,U,W<br>,X,AA<br>,AC<br>AD,AG<br>,AH,A<br>L,AM,<br>AS-AV<br>,AX<br>AZ,BC<br>,BD,B<br>G,BH,<br>BL,BM<br>,BQ<br>BR,BU<br>,BV,B<br>Y,BZ | 1            |

71-11-56

ILLUSTRATED PARTS LIST  
01.1 Page 1028M  
Nov 01/04

| FIG. & ITEM | PART NO.     | AIRLINE PART NUMBER | NOMENCLATURE<br>1234567   | EFF CODE                               | QTY PER ASSY |
|-------------|--------------|---------------------|---|--|--------------|
| 01-586      | HL13VAZ6-18  |                     | ..BOLT-<br>(V56878)<br>(SPEC BACB30NY6K18)<br>(OPT HL13VAZ6-18<br>(V73197))<br>(OPT HL13VAZ6-18<br>(V92215))<br>(OPT HL13VAZ6-18<br>(V97928))<br>(OPT L801-6K18<br>(V06725))<br>(OPT HL13VAZ6-18<br>(V08524))<br>(OPT HL13V18<br>(V06725))<br>(OPT HL13VAZ6-18<br>(V17446)) | A-F,<br>H-N,Q<br>,R,<br>T-AA,<br>AC-BZ | 2            |
| 588         | HL79-6       |                     | ..COLLAR-<br>(V5M902)<br>(SPEC BACC30M6)<br>(OPT HL79-6<br>(V73197))<br>(OPT HL79-6<br>(V92215))<br>(OPT 66014-6<br>(V56878))<br>(OPT HL79-6<br>(V56878))   | A-F,<br>H-N,Q<br>,R,<br>T-AA,<br>AC-BZ | 3            |
| 590         | BACB30MY6K19 |                     | ..BOLT  | A-F,<br>H-N,Q<br>,R,<br>T-AA,<br>AC-BZ | 14           |
| 592         | BACB30MY6K18 |                     | ..BOLT  | A-F,<br>H-N,Q<br>,R,<br>T-AA,<br>AC-BZ | 9            |
| 594         | BACB30MY6K17 |                     | ..BOLT  | A-F,<br>H-N,Q<br>,R,<br>T-AA,<br>AC-BZ | 6            |

# 71-11-56

 ILLUSTRATED PARTS LIST  
 01.1 Page 1028N  
 Nov 01/04

 **BOEING**  
COMPONENT  
MAINTENANCE MANUAL

| FIG. & ITEM | PART NO.     | AIRLINE PART NUMBER | NOMENCLATURE<br>1234567   | EFF CODE                               | QTY PER ASSY |
|-------------|--------------|---------------------|---|--|--------------|
| 01-596      | BACB30MY6K16 |                     | ..BOLT  | A-F,<br>H-N,Q<br>,R,<br>T-AA,<br>AC-BZ | 5            |
| 598         | L8006-15     |                     | ..BOLT-<br>(V06725)<br>(SPEC BACB30MY6K15)<br>(OPT HL10VAZ6-15<br>(VOPTK6))   | A-F,<br>H-N,Q<br>,R,<br>T-AA,<br>AC-BZ | 4            |
| 600         | BACB30MY6K14 |                     | ..BOLT  | A-F,<br>H-N,Q<br>,R,<br>T-AA,<br>AC-BZ | 2            |
| 602         | HL11VAZ6-13  |                     | ..BOLT-<br>(V60516)<br>(SPEC BACB30NW6K13)<br>(OPT B30NW6K13<br>(V97928))<br>(OPT HL11VAZ6-13<br>(V73197))<br>(OPT HL11VAZ6-13<br>(V92215))<br>(OPT HL11VAZ6-13<br>(V97928))<br>(OPT L803-6K13<br>(V06725))<br>(OPT HL11VAZ6-13<br>(VOPTK6))<br>(OPT HL11VAZ6-13<br>(V56878)) | A-F,<br>H-N,Q<br>,R,<br>T-AA,<br>AC-BZ | 2            |

**71-11-56**

ILLUSTRATED PARTS LIST  
01.1 Page 10280  
Nov 01/04

| FIG. & ITEM | PART NO.    | AIRLINE PART NUMBER | NOMENCLATURE<br>1234567   | EFF CODE                               | QTY PER ASSY |
|-------------|-------------|---------------------|---|--|--------------|
| 01-604      | HL11VAZ6-12 |                     | ..BOLT-<br>(V60516)<br>(SPEC BACB30NW6K12)<br>(OPT B30NW6K12<br>(V97928))<br>(OPT HL11VAZ6-12<br>(V73197))<br>(OPT HL11VAZ6-12<br>(V92215))<br>(OPT HL11VAZ6-12<br>(V97928))<br>(OPT L803-6K12<br>(V06725))<br>(OPT HL11VAZ6-12<br>(V0PTK6))<br>(OPT HL11VAZ6-12<br>(V56878)) | A-F,<br>H-N,Q<br>,R,<br>T-AA,<br>AC-BZ | 2            |
| 606         | HL79-6      |                     | ..COLLAR-<br>(V5M902)<br>(SPEC BACC30M6)<br>(OPT HL79-6<br>(V73197))<br>(OPT HL79-6<br>(V92215))<br>(OPT 66014-6<br>(V56878))<br>(OPT HL79-6<br>(V56878))   | A-F,<br>H-N,Q<br>,R,<br>T-AA,<br>AC-BZ | 16           |
| 608         | HL82-6APBW  |                     | ..COLLAR-<br>(V5M902)<br>(SPEC BACC30AG6)<br>(OPT HL82-6APBW<br>(V92215))<br>(OPT HL82-6APBW<br>(V56878))<br>(OPT HL82-6APBW<br>(V73197))   | A-F,<br>H-N,Q<br>,R,<br>T-AA,<br>AC-BZ | 28           |

# 71-11-56

 **BOEING**  
COMPONENT  
MAINTENANCE MANUAL

| FIG. & ITEM | PART NO.     | AIRLINE PART NUMBER | NOMENCLATURE<br>1234567   | EFF CODE                              | QTY PER ASSY |
|-------------|--------------|---------------------|---|---------------------------------------|--------------|
| 01-610      | HL1012AZ6-19 |                     | ..BOLT-<br>(V97928)<br>(SPEC BACB30NX6K19)<br>(OPT HL12VAZ6-19 (V73197))<br>(OPT HL12VAZ6-19 (V92215))<br>(OPT HL12VAZ6-19 (V97928))<br>(OPT L802-6K19 (V06725))<br>(OPT HL12VAZ6-19 (V56878))<br>(OPT HL1012AZ6-19 (V0PTK6))<br>(OPT HL1012AZ6-19 (V06725))<br>(OPT HL1012AZ6-19 (V06950))<br>(OPT HL1012AZ6-19 (V17446))<br>(OPT HL1012AZ6-19 (V56878))<br>(OPT HL1012AZ6-19 (V60516))<br>(OPT HL1012AZ6-19 (V73197)) | A-F,<br>H-N,Q<br>R,<br>T-AA,<br>AC-BZ | 7            |
| 611         | HL1187DUW6   |                     | ..COLLAR-<br>(V5M902)<br>(SPEC BACC30X6SW)<br>(OPT HL87DUW6 (V73197))<br>(OPT HL87DUW6 (V92215))<br>(OPT HL1187DUW6 (V56878))<br>(OPT HL1187DUW6 (V92215))<br>(OPT HL87DUW6 (V56878))<br>(OPT HL1187DUW6 (V73197))  | A-F,<br>H-N,Q<br>R,<br>T-AA,<br>AC-BZ | 7            |

71-11-56

| FIG. & ITEM | PART NO.     | AIRLINE PART NUMBER | NOMENCLATURE<br>1234567   | EFF CODE | QTY PER ASSY |
|-------------|--------------|---------------------|---|----------|--------------|
| 01-612      | HL1012AZ6-13 |                     | ..BOLT-<br>(V97928)<br>(SPEC BACB30NX6K13)<br>(OPT HL12VAZ6-13<br>(V73197))<br>(OPT HL12VAZ6-13<br>(V92215))<br>(OPT HL12VAZ6-13<br>(V97928))<br>(OPT L802-6K13<br>(V06725))<br>(OPT HL1012AZ6-13<br>(V0PTK6))<br>(OPT HL1012AZ6-13<br>(V06725))<br>(OPT HL1012AZ6-13<br>(V06950))<br>(OPT HL1012AZ6-13<br>(V17446))<br>(OPT HL1012AZ6-13<br>(V56878))<br>(OPT HL1012AZ6-13<br>(V60516))<br>(OPT HL1012AZ6-13<br>(V73197))<br>(OPT HL12VAZ6-13<br>(V56878)) | A,E      | 2            |

# 71-11-56

 ILLUSTRATED PARTS LIST  
 01.1 Page 1028R  
 Nov 01/04



 **BOEING**  
COMPONENT  
MAINTENANCE MANUAL

| FIG. & ITEM | PART NO.     | AIRLINE PART NUMBER | NOMENCLATURE<br>1234567   | EFF CODE                                 | QTY PER ASSY |
|-------------|--------------|---------------------|---|--|--------------|
| 01-613      | HL1012AZ6-13 |                     | ..BOLT-<br>(V97928)<br>(SPEC BACB30NX6K13)<br>(OPT HL12VAZ6-13 (V73197))<br>(OPT HL12VAZ6-13 (V92215))<br>(OPT HL12VAZ6-13 (V97928))<br>(OPT L802-6K13 (V06725))<br>(OPT HL1012AZ6-13 (V0PTK6))<br>(OPT HL1012AZ6-13 (V06725))<br>(OPT HL1012AZ6-13 (V06950))<br>(OPT HL1012AZ6-13 (V17446))<br>(OPT HL1012AZ6-13 (V56878))<br>(OPT HL1012AZ6-13 (V60516))<br>(OPT HL1012AZ6-13 (V73197))<br>(OPT HL12VAZ6-13 (V56878)) | B-D,F<br>,H-N,<br>Q,R,<br>T-AA,<br>AC-BZ | 2            |
| 614         | HL1187DUW6   |                     | ..COLLAR-<br>(V5M902)<br>(SPEC BACC30X6SW)<br>(OPT HL87DUW6 (V73197))<br>(OPT HL87DUW6 (V92215))<br>(OPT HL1187DUW6 (V56878))<br>(OPT HL1187DUW6 (V92215))<br>(OPT HL87DUW6 (V56878))<br>(OPT HL1187DUW6 (V73197))  | A,E                                      | 2            |

71-11-56

ILLUSTRATED PARTS LIST  
01.1 Page 1028S  
Nov 01/04

| FIG. & ITEM | PART NO.     | AIRLINE PART NUMBER | NOMENCLATURE<br>1234567  | EFF CODE                                  | QTY PER ASSY |
|-------------|--------------|---------------------|--|---|--------------|
| 01-615      | HL1187DUW6   |                     | ..COLLAR-<br>(V5M902)<br>(SPEC BACC30X6SW)<br>(OPT HL87DUW6 (V73197))<br>(OPT HL87DUW6 (V92215))<br>(OPT HL1187DUW6 (V56878))<br>(OPT HL1187DUW6 (V92215))<br>(OPT HL87DUW6 (V56878))<br>(OPT HL1187DUW6 (V73197))   | B-D, F<br>,H-N,<br>Q,R,<br>T-AA,<br>AC-BZ | 2            |
| 616         | HL1012AZ8-19 |                     | ..BOLT-<br>(V97928)<br>(SPEC BACB30NX8K19)<br>(OPT HL12VAZ8-19 (V73197))<br>(OPT HL12VAZ8-19 (V92215))<br>(OPT HL12VAZ8-19 (V97928))<br>(OPT L802-8K19 (V06725))<br>(OPT HL12VAZ8-19 (V56878))<br>(OPT HL1012AZ8-19 (V73197))<br>(OPT HL1012AZ8-19 (V60516))<br>(OPT HL1012AZ8-19 (V56878))<br>(OPT HL1012AZ8-19 (V17446))<br>(OPT HL1012AZ8-19 (V06950))<br>(OPT HL1012AZ8-19 (V06725))<br>(OPT HL1012AZ8-19 (V06725))<br>(OPT HL1012AZ8-19 (V0PTK6)) | A-F,<br>H-N,Q<br>,R,<br>T-AA,<br>AC-BZ    | 4            |

# 71-11-56

 ILLUSTRATED PARTS LIST  
 01.1 Page 1028T  
 Nov 01/04

 **BOEING**  
COMPONENT  
MAINTENANCE MANUAL

| FIG. & ITEM | PART NO.     | AIRLINE PART NUMBER | NOMENCLATURE<br>1234567  | EFF CODE                               | QTY PER ASSY |
|-------------|--------------|---------------------|--|--|--------------|
| 01-618      | HL1187DUW8   |                     | ..COLLAR-<br>(V5M902)<br>(SPEC BACC30X8SW)<br>(OPT HL87DUW8<br>(V73197))<br>(OPT HL87DUW8<br>(V92215))<br>(OPT HL1187DUW8<br>(V56878))<br>(OPT HL1187DUW8<br>(V92215))<br>(OPT HL87DUW8<br>(V56878))<br>(OPT HL1187DUW8<br>(V73197)) | A-F,<br>H-N,Q<br>,R,<br>T-AA,<br>AC-BZ | 4            |
| 620         | BACB30MY5K22 |                     | ..BOLT   | A-F,<br>H-N,Q<br>,R,<br>T-AA,<br>AC-BZ | 2            |
| 622         | BACB30MY5K21 |                     | ..BOLT   | A-F,<br>H-N,Q<br>,R,<br>T-AA,<br>AC-BZ | 1            |
| 624         | BACB30MY5K18 |                     | ..BOLT   | A-F,<br>H-N,Q<br>,R,<br>T-AA,<br>AC-BZ | 21           |
| 626         | BACB30MY5K17 |                     | ..BOLT   | A-F,<br>H-N,Q<br>,R,<br>T-AA,<br>AC-BZ | 17           |
| 628         | BACB30MY5K16 |                     | ..BOLT   | A-F,<br>H-N,Q<br>,R,<br>T-AA,<br>AC-BZ | 1            |
| 630         | BACB30MY5K15 |                     | ..BOLT   | A-F,<br>H-N,Q<br>,R,<br>T-AA,<br>AC-BZ | 2            |

**71-11-56**

ILLUSTRATED PARTS LIST  
01.1 Page 1028U  
Nov 01/04

| FIG. & ITEM | PART NO.     | AIRLINE PART NUMBER | NOMENCLATURE<br>1234567 | EFF CODE  | QTY PER ASSY |
|-------------|--------------|---------------------|-------------------------|---|--------------|
| 01-632      | BACB30MY5K14 |                     | ..BOLT                  | A-F,<br>H-N,Q<br>,R,<br>T-AA,<br>AC-BZ  | 2            |
| 634         | BACB30MY5K13 |                     | ..BOLT                  | A-F,<br>H-N,Q<br>,R,<br>T-AA,<br>AC-BZ  | 2            |
| 636         | BACB30MY5K12 |                     | ..BOLT                  | A-F,<br>H-N,Q<br>,R,<br>T-AA,<br>AC-BZ  | 2            |
| 638         | BACB30MY5K11 |                     | ..BOLT                  | A-F,<br>H-N,Q<br>,R,<br>T-AA,<br>AC-BZ  | 2            |
| 640         | BACB30MY5K10 |                     | ..BOLT                  | A-F,<br>H-N,Q<br>,R,<br>T-AA,<br>AC-BZ  | 1            |
| 642         | BACB30MY5K5  |                     | ..BOLT                  | A,E   | 1            |
| -642A       | BACB30MY5K4  |                     | ..BOLT                  | B-D,F<br>,H,J,<br>M,Q,R<br>,T,U,<br>W,X<br>AA,AC<br>,AS-A<br>V,B<br>B-BD,<br>BL,BM<br>BQ,BR<br>,BU,B<br>V,BY,<br>BZ | 1            |

# 71-11-56

 ILLUSTRATED PARTS LIST  
 01.1 Page 1028V  
 Nov 01/04

 **BOEING**  
COMPONENT  
MAINTENANCE MANUAL

| FIG. & ITEM | PART NO.     | AIRLINE PART NUMBER | NOMENCLATURE                            | EFF CODE  | QTY PER ASSY |
|-------------|--------------|---------------------|---|---|--------------|
|             |              |                     | 1234567                                 |   |              |
| 01-642      | BACB30MY5K5  |                     | ..BOLT                                  | A,E   | 1            |
| -642A       | BACB30MY5K4  |                     | ..BOLT                                  | B-D,F<br>,H,J,<br>M,Q,R<br>,T,U,<br>W,X<br>AA,AC<br>,AS-A<br>V,B<br>B-BD,<br>BL,BM<br>BQ,BR<br>,BU,B<br>V,BY,<br>BZ | 1            |
| -642B       | CSR924-5-7R  |                     | ..RIVET-<br>(V05693)<br>(OPT ITEM 642C) | K,L,N<br>,V,Y,<br>Z,A<br>D-AR,<br>AW-BA<br>BE,BF<br>,BJ,B<br>K,BN,<br>BP,BS<br>,BT<br>BW,BX                         | 1            |
| -642C       | MS20427M5C11 |                     | ..RIVET-<br>(OPT ITEM 642B)             | K,L,N<br>,V,Y,<br>Z,A<br>D-AR,<br>AW-BA<br>BE,BF<br>,BJ,B<br>K,BN,<br>BP,BS<br>,BT<br>BW,BX                         | 1            |

71-11-56

ILLUSTRATED PARTS LIST  
01.1 Page 1028W  
Nov 01/04

| FIG. & ITEM | PART NO.     | AIRLINE PART NUMBER | NOMENCLATURE<br>1234567 | EFF CODE  | QTY PER ASSY |
|-------------|--------------|---------------------|-------------------------|---|--------------|
| 01-643      | BACB30MY5K3  |                     | ..BOLT                  | B-D, F<br>,H-N,<br>Q,R,<br>T-AA,<br>AC-BZ   | 1            |
| 644         | BACB30MY5K3  |                     | ..BOLT                  | A,E   | 5            |
| 645         | BACB30MY5K18 |                     | ..BOLT                  | B-D,<br>J-N,V<br>,Y,Z,<br>AE,AF<br>,AJ,A<br>K<br>AN-AR<br>,BA,B<br>B,BE,<br>BF,BJ<br>,BK<br>BN,BP<br>,BS,B<br>T,BW,<br>BX | 4            |
| -645A       | BACB30MY5K2  |                     | ..BOLT                  | F,H,Q<br>,R,T,<br>U,W,X<br>,AA,A<br>C,AD<br>AS-AV<br>,BC,B<br>D,BG,<br>BH,BL<br>,BM<br>BQ,BR<br>,BU,B<br>V,BY,<br>BZ      | 4            |

# 71-11-56

 ILLUSTRATED PARTS LIST  
 01.1 Page 1028X  
 Nov 01/04

**BOEING**  
COMPONENT  
MAINTENANCE MANUAL

| FIG. & ITEM       | PART NO.                    | AIRLINE PART NUMBER | NOMENCLATURE                | EFF CODE   | QTY PER ASSY |
|-------------------|-----------------------------|---------------------|-----------------------------|--|--------------|
| 01-<br>646<br>647 | BACB30MY5K2<br>BACB30MY5K18 |                     | 1234567<br>..BOLT<br>..BOLT | A,E<br>A-E,<br>J-N,V<br>,Y,Z,<br>AE-AR<br>,AW-<br>BA<br>BE,BF<br>,BJ,B<br>K,BN,<br>BP,BS<br>,BT<br>BW,BX             | 2<br>4       |
| -647A<br>-647H    | HL10VAZ5-3<br>BACB30MY6K4   |                     | DELETED<br>..BOLT           | F,H,Q<br>,R,T,<br>U,W,X<br>,AA,A<br>C,AD<br>AS-AV<br>,BC,B<br>D,BG,<br>BH,BL<br>,BM<br>BQ,BR<br>,BU,B<br>V,BY,<br>BZ | 2            |
| -647P             | BACB30MY6K3                 |                     | ..BOLT                      | F,H,Q<br>,R,T,<br>U,W,X<br>,AA,A<br>C,AD<br>AS-AV<br>,BC,B<br>D,BG,<br>BH,BL<br>,BM<br>BQ,BR                         | 3            |

71-11-56

ILLUSTRATED PARTS LIST  
01.1 Page 1028Y  
Nov 01/04

| FIG. & ITEM | PART NO. | AIRLINE PART NUMBER | NOMENCLATURE<br>1234567   | EFF CODE   | QTY PER ASSY |
|-------------|----------|---------------------|---|--|--------------|
| 01-648      | HL70-5   |                     | ..COLLAR-<br>(V5M902)<br>(SPEC BACC30M5)<br>(OPT HL70-5<br>(V73197))<br>(OPT HL70-5<br>(V92215))<br>(OPT 66014-5<br>(V56878))<br>(OPT HL70-5<br>(V56878)) | A-F,<br>H-N,Q<br>,R,<br>T-AA,<br>AC-BZ   | 45           |
| 649         | HL70-5   |                     | ..COLLAR-<br>(V5M902)<br>(SPEC BACC30M5)<br>(OPT HL70-5<br>(V73197))<br>(OPT HL70-5<br>(V92215))<br>(OPT 66014-5<br>(V56878))<br>(OPT HL70-5<br>(V56878)) | A-E,<br>J-N,V<br>,Y,Z,<br>AE-AR<br>,AW-<br>BA<br>BE,BF<br>,BJ,B<br>K,BN,<br>BP,BS<br>,BT<br>BW,BX                    | 4            |
| 649H        | HL79-6   |                     | ..COLLAR-<br>(V5M902)<br>(SPEC BACC30M6)<br>(OPT HL79-6<br>(V73197))<br>(OPT HL79-6<br>(V92215))<br>(OPT 66014-6<br>(V56878))<br>(OPT HL79-6<br>(V56878)) | F,H,Q<br>,R,T,<br>U,W,X<br>,AA,A<br>C,AD<br>AS-AV<br>,BC,B<br>D,BG,<br>BH,BL<br>,BM<br>BQ,BR<br>,BU,B<br>V,BY,<br>BZ | 5            |

# 71-11-56

 ILLUSTRATED PARTS LIST  
 01.1 Page 1028Z  
 Nov 01/04



**BOEING**  
COMPONENT  
MAINTENANCE MANUAL

| FIG. & ITEM | PART NO.     | AIRLINE PART NUMBER | NOMENCLATURE<br>1234567   | EFF CODE   | QTY PER ASSY |
|-------------|--------------|---------------------|---|--|--------------|
| 01-650      | HL82-5APBW   |                     | ..COLLAR-<br>(V73197)<br>(SPEC BACC30AG5)<br>(OPT HL82-5APBW<br>(V56878)) | A-F,<br>H-N,Q<br>,R,<br>T-AA,<br>AC-BZ   | 14           |
| 652         | NAS1398CW6-3 |                     | ..RIVET   | A-F,<br>H-N,Q<br>,R,<br>T-AA,<br>AC-BZ   | 1            |
| 654         | NAS1398CW5-3 |                     | ..RIVET   | A-F,<br>H-N,Q<br>,R,<br>T-AA,<br>AC-BZ   | 1            |
| 656         | BACR15CE6KE  |                     | ..RIVET-<br>(SIZE DETERMINE ON INST)                                      | E,F,H<br>,Q,R,<br>T,U,W<br>,X,AA<br>,AC<br>AD,AG<br>,AH,A<br>L,AM<br>AS-AV<br>,AX<br>AZ,BC<br>,BD,B<br>G,BH,<br>BL,BM<br>,BQ<br>BR,BU<br>,BV,B<br>Y,BZ | 1            |

71-11-56

ILLUSTRATED PARTS LIST

01.1

Page 1029

Nov 01/04

| FIG. & ITEM | PART NO.    | AIRLINE PART NUMBER | NOMENCLATURE                                    | EFF CODE  | QTY PER ASSY |
|-------------|-------------|---------------------|---|---|--------------|
| 01-656A     | BACR15CE6D  |                     | 1234567<br>..RIVET-<br>(SIZE DETERMINE ON INST) | A-D,<br>J-N,V<br>,Y,Z,<br>AE,AF<br>,AJ,A<br>K<br>AN-AR<br>,AW,A<br>Y,BA,<br>BB,BE<br>,BF<br>BJ,BK<br>,BN,B<br>P,BS,<br>BT,BW<br>,BX                     | 1            |
| 658         | BACR15CE5KE |                     | ..RIVET-<br>(SIZE DETERMINE ON INST)            | E,F,H<br>,Q,R,<br>T,U,W<br>,X,AA<br>,AC<br>AD,AG<br>,AH,A<br>L,AM,<br>AS-AV<br>,AX<br>AZ,BC<br>,BD,B<br>G,BH,<br>BL,BM<br>,BQ<br>BR,BU<br>,BV,B<br>Y,BZ | 1            |

# 71-11-56

 ILLUSTRATED PARTS LIST  
 01.1 Page 1030  
 Nov 01/04

 **BOEING**  
COMPONENT  
MAINTENANCE MANUAL

| FIG. & ITEM  | PART NO.                  | AIRLINE PART NUMBER | NOMENCLATURE  | EFF CODE  | QTY PER ASSY |
|--------------|---------------------------|---------------------|---|---|--------------|
|              |                           |                     | 1234567   |   |              |
| 01-<br>-658A | BACR15FT5D                |                     | ..RIVET-<br>(SIZE DETERMINE ON INST)<br>(USED ON ITEMS 475B,<br>475D) | B-D,J<br>,K,M,<br>N,AE,<br>AF,AJ<br>,AK<br>AP,AR<br>,AW,A<br>Y  | 1            |
| -658B        | BACR15CE5D                |                     | ..RIVET-<br>(SIZE DETERMINE ON INST)<br>(USED ON ITEMS 475C,<br>475E) | L,V,Y<br>,Z,AN<br>,AQ,A<br>W,AY,<br>BA,BB<br>BE,BF<br>,BJ,B<br>K,BN,<br>BP,BS<br>,BT<br>BW,BX                                       | 1            |
| 660<br>660A  | 315T3007-3<br>315U4009-19 |                     | DELETED<br>..FAIRING-FILLET   | A-D,<br>J-N,V<br>,Y,Z,<br>AE,AF<br>,AJ,A<br>K<br>AN-AR<br>,AW,A<br>Y,BA,<br>BB,BE<br>,BF<br>BJ,BK<br>,BN,B<br>P,BS,<br>BT,BW<br>,BX | 1            |

71-11-56

ILLUSTRATED PARTS LIST  
01.1 Page 1030A  
Nov 01/04

| FIG. & ITEM | PART NO.    | AIRLINE PART NUMBER | NOMENCLATURE      | EFF CODE  | QTY PER ASSY |
|-------------|-------------|---------------------|-------------------|---|--------------|
| 01-         |             |                     | 1234567           |   |              |
| -662        | 315T3007-12 |                     | DELETED           |   |              |
| -662A       | 315T3007-4  |                     | DELETED           |   |              |
| -662B       | 315U4009-20 |                     | .. FAIRING-FILLET | E, F, H<br>, Q, R,<br>T, U, W<br>, X, AA<br>, AC<br>AD, AG<br>, AH, A<br>L, AM,<br>AS-AV<br>, AX<br>AZ, BC<br>, BD, B<br>G, BH,<br>BL, BM<br>, BQ<br>BR, BU<br>, BV, B<br>Y, BZ | 1            |

# 71-11-56

 ILLUSTRATED PARTS LIST  
 01.1 Page 1030B  
 Nov 01/04

 **BOEING**  
COMPONENT  
MAINTENANCE MANUAL

| FIG. & ITEM | PART NO.     | AIRLINE PART NUMBER | NOMENCLATURE<br>1234567   | EFF CODE | QTY PER ASSY |
|-------------|--------------|---------------------|---|----------|--------------|
| 01-664      | HL1012AZ6-14 |                     | ..BOLT-<br>(V97928)<br>(SPEC BACB30NX6K14)<br>(OPT HL12VAZ6-14<br>(V73197))<br>(OPT HL12VAZ6-14<br>(V92215))<br>(OPT HL12VAZ6-14<br>(V97928))<br>(OPT L802-6K14<br>(V06725))<br>(OPT HL1012AZ6-14<br>(V0PTK6))<br>(OPT HL1012AZ6-14<br>(V06725))<br>(OPT HL1012AZ6-14<br>(V06950))<br>(OPT HL1012AZ6-14<br>(V17446))<br>(OPT HL1012AZ6-14<br>(V56878))<br>(OPT HL1012AZ6-14<br>(V60516))<br>(OPT HL1012AZ6-14<br>(V73197))<br>(OPT HL12VAZ6-14<br>(V56878)) | A,E      | 1            |

**71-11-56**

ILLUSTRATED PARTS LIST  
01.1 Page 1030C  
Nov 01/04

| FIG. & ITEM | PART NO.     | AIRLINE PART NUMBER | NOMENCLATURE<br>1234567   | EFF CODE | QTY PER ASSY |
|-------------|--------------|---------------------|---|----------|--------------|
| 01-666      | HL1012AZ6-13 |                     | ..BOLT-<br>(V97928)<br>(SPEC BACB30NX6K13)<br>(OPT HL12VAZ6-13 (V73197))<br>(OPT HL12VAZ6-13 (V92215))<br>(OPT HL12VAZ6-13 (V97928))<br>(OPT L802-6K13 (V06725))<br>(OPT HL1012AZ6-13 (V0PTK6))<br>(OPT HL1012AZ6-13 (V06725))<br>(OPT HL1012AZ6-13 (V06950))<br>(OPT HL1012AZ6-13 (V17446))<br>(OPT HL1012AZ6-13 (V56878))<br>(OPT HL1012AZ6-13 (V60516))<br>(OPT HL1012AZ6-13 (V73197))<br>(OPT HL12VAZ6-13 (V56878)) | A,E      | 2            |
| 666G        | HL82-6APBW   |                     | ..COLLAR-<br>(V5M902)<br>(SPEC BACC30AG6)<br>(OPT HL82-6APBW (V92215))<br>(OPT HL82-6APBW (V56878))<br>(OPT HL82-6APBW (V73197))  | A,E      | 3            |

# 71-11-56

 ILLUSTRATED PARTS LIST  
 01.1 Page 1030D  
 Nov 01/04

 **BOEING**  
COMPONENT  
MAINTENANCE MANUAL

| FIG. & ITEM | PART NO.     | AIRLINE PART NUMBER | NOMENCLATURE<br>1234567   | EFF CODE                                 | QTY PER ASSY |
|-------------|--------------|---------------------|---|--|--------------|
| 01-667      | BACB30MY6K12 |                     | ..BOLT  | B-D,F<br>,H-N,<br>Q,R,<br>T-AA,<br>AC-BZ | 1            |
| 667G        | BACB30MY6K13 |                     | ..BOLT  | B-D,F<br>,H-N,<br>Q,R,<br>T-AA,<br>AC-BZ | 2            |
| 668         | HL82-6APBW   |                     | ..COLLAR-<br>(V5M902)<br>(SPEC BACC30AG6)<br>(OPT HL82-6APBW<br>(V92215))<br>(OPT HL82-6APBW<br>(V56878))<br>(OPT HL82-6APBW<br>(V73197)) | B-D,F<br>,H-N,<br>Q,R,<br>T-AA,<br>AC-BZ | 3            |
| 668G        | BACB30MY6K14 |                     | ..BOLT  | B-D,F<br>,H,J,<br>M,Q,T<br>,AA,A<br>E-AM | 1            |
| 668K        | L8006-15     |                     | ..BOLT-<br>(V06725)<br>(SPEC BACB30MY6K15)<br>(OPT HL10VAZ6-15<br>(VOPTK6))   | B-D,F<br>,H,J,<br>M,Q,T<br>,AA,A<br>E-AM | 1            |

71-11-56

ILLUSTRATED PARTS LIST  
01.1 Page 1030E  
Nov 01/04

| FIG. & ITEM   | PART NO.                  | AIRLINE PART NUMBER | NOMENCLATURE<br>1234567   | EFF CODE                                  | QTY PER ASSY |
|---------------|---------------------------|---------------------|---|---|--------------|
| 01-668P       | L8006-15                  |                     | ..BOLT-<br>(V06725)<br>(SPEC BACB30MY6K15)<br>(OPT HL10VAZ6-15<br>(VOPTK6))   | K,L,N<br>,R,<br>U-Z,A<br>C,AD,<br>AN-BZ   | 2            |
| 668Q          | HL11VAZ6-15               |                     | ..BOLT-<br>(V60516)<br>(SPEC BACB30NW6K15)<br>(OPT B30NW6K15<br>(V97928))<br>(OPT HL11VAZ6-15<br>(V73197))<br>(OPT HL11VAZ6-15<br>(V92215))<br>(OPT HL11VAZ6-15<br>(V97928))<br>(OPT L803-6K15<br>(V06725))<br>(OPT HL11VAZ6-15<br>(VOPTK6))<br>(OPT HL11VAZ6-15<br>(V56878)) | B-D,F<br>,H-N,<br>,Q,R,<br>T-AA,<br>AC-BZ | 1            |
| 669           | BACB30MY6K16              |                     | ..BOLT  | B-D,F<br>,H-N,<br>,Q,R,<br>T-AA,<br>AC-BZ | 1            |
| -669A<br>669P | HL10VAZ6-14<br>HL82-6APBW |                     | DELETED<br>..COLLAR-<br>(V5M902)<br>(SPEC BACC30AG6)<br>(OPT HL82-6APBW<br>(V92215))<br>(OPT HL82-6APBW<br>(V56878))<br>(OPT HL82-6APBW<br>(V73197))  | B-D,F<br>,H,J,<br>M,Q,T<br>,AA,A<br>E-AM  | 5            |

# 71-11-56

 ILLUSTRATED PARTS LIST  
 01.1 Page 1030F  
 Nov 01/04



 **BOEING**  
COMPONENT  
MAINTENANCE MANUAL

| FIG. & ITEM | PART NO.      | AIRLINE PART NUMBER | NOMENCLATURE<br>1234567   | EFF CODE                                | QTY PER ASSY |
|-------------|---------------|---------------------|---|---|--------------|
| 01-669R     | HL82-6APBW    |                     | ..COLLAR-<br>(V5M902)<br>(SPEC BACC30AG6)<br>(OPT HL82-6APBW<br>(V92215))<br>(OPT HL82-6APBW<br>(V56878))<br>(OPT HL82-6APBW<br>(V73197)) | K,L,N<br>,R,<br>U-Z,A<br>C,AD,<br>AN-BZ | 4            |
| 670         | 315T3318-133  |                     | ..SEAL INSTL-UPR<br>BIFURCATION   | A                                       | 1            |
| -670A       | 315T3318-187  |                     | DELETED   |   |              |
| -672        | 315T3318-134  |                     | ..SEAL INSTL-UPR<br>BIFURCATION   | E                                       | 1            |
| -672A       | 315T3318-188  |                     | DELETED   |   |              |
| -674        | 315T3318-5007 |                     | ...SEAL INSTL-<br>(LIMITED)<br>(FOR DETAILS SEE FIG. 6)   | A                                       | 1            |
| -674A       | 315T3318-5011 |                     | ...SEAL INSTL-<br>(LIMITED)<br>(FOR DETAILS SEE FIG. 6)   | A                                       | 1            |
| -674B       | 315T3318-5009 |                     | ...SEAL INSTL-<br>(LIMITED)<br>(FOR DETAILS SEE FIG. 6)   | A                                       | 1            |
| -674C       | 315T3318-5013 |                     | ...SEAL INSTL-<br>(LIMITED)<br>(FOR DETAILS SEE FIG. 6)   | A                                       | 1            |
| -674D       | 315T3318-5015 |                     | ...SEAL INSTL-<br>(LIMITED)<br>(FOR DETAILS SEE FIG. 6)   | A                                       | 1            |

71-11-56

ILLUSTRATED PARTS LIST  
01.1 Page 1030G  
Nov 01/04

| FIG. & ITEM | PART NO.      | AIRLINE PART NUMBER | NOMENCLATURE<br>1234567                                 | EFF CODE                               | QTY PER ASSY |
|-------------|---------------|---------------------|---|--|--------------|
| 01-<br>-676 | 315T3318-5008 |                     | ...SEAL INSTL-<br>(LIMITED)<br>(FOR DETAILS SEE FIG. 6) | E                                      | 1            |
| -676A       | 315T3318-5010 |                     | ...SEAL INSTL-<br>(LIMITED)<br>(FOR DETAILS SEE FIG. 6) | E                                      | 1            |
| -676B       | 315T3318-5014 |                     | ...SEAL INSTL-<br>(LIMITED)<br>(FOR DETAILS SEE FIG. 6) | E                                      | 1            |
| -678        | 332T4713-1    |                     | ..DRAIN INSTL-OVERBOARD<br>(FOR DETAILS SEE<br>FIG. 11) | E                                      | 1            |
| 680         | HL10VAZ6-19   |                     | DELETED   |  |              |
| 682         | BACB30LK3-2   |                     | DELETED   |  |              |
| 684         | AN960C10      |                     | DELETED   |  |              |
| 686         | BR1110C3M     |                     | DELETED   |  |              |
| 688         | S258T6        |                     | DELETED   |  |              |
| 688A        | JP0030-6      |                     | DELETED   |  |              |
| 690         | S258T16       |                     | DELETED   |  |              |
| 690A        | JP0030-16     |                     | DELETED   |  |              |
| 692         | BACC14AD06JA  |                     | DELETED   |  |              |
| 692A        | AFP241-06J    |                     | DELETED   |  |              |
| 694         | 332T4713-2    |                     | DELETED   |  |              |
| 696         | DBOU24AB6H    |                     | DELETED   |  |              |
| 698         | NAS1398CW5-3  |                     | ..RIVET   | A-F,<br>H-N,Q<br>,R,<br>T-AA,<br>AC-BZ | 1            |

# 71-11-56

 ILLUSTRATED PARTS LIST  
 01.1 Page 1030H  
 Nov 01/04

| FIG. & ITEM | PART NO.     | AIRLINE PART NUMBER | NOMENCLATURE<br>1234567              | EFF CODE                              | QTY PER ASSY |
|-------------|--------------|---------------------|--------------------------------------|---------------------------------------|--------------|
| 01-700      | NAS1398CW5-2 |                     | ..RIVET                              | A-F,<br>H-N,Q<br>R,<br>T-AA,<br>AC-BZ | 1            |
| 702         | BACR15FT5KE  |                     | ..RIVET-<br>(SIZE DETERMINE ON INST) | A-F,<br>H-N,Q<br>R,<br>T-AA,<br>AC-BZ | 6            |
| 704         | BACR15BB5AD  |                     | ..RIVET-<br>(SIZE DETERMINE ON INST) | A-F,<br>H-N,Q<br>R,<br>T-AA,<br>AC-BZ | 5            |
| 705         | BACR15CE6KE  |                     | DELETED                              |                                       |              |
| 706         | BACR15CE6KE  |                     | ..RIVET-<br>(SIZE DETERMINE ON INST) | A-F,<br>H-N,Q<br>R,<br>T-AA,<br>AC-BZ | 4            |
| 707         | BACR15CE6D   |                     | ..RIVET-<br>(SIZE DETERMINE ON INST) | A-F,<br>H-N,Q<br>R,<br>T-AA,<br>AC-BZ | 14           |
| 708         | BACR15CE5KE  |                     | DELETED                              |                                       |              |
| 709         | BACR15CE5D   |                     | ..RIVET-<br>(SIZE DETERMINE ON INST) | A-F,<br>H-N,Q<br>R,<br>T-AA,<br>AC-BZ | 7            |

**71-11-56**

ILLUSTRATED PARTS LIST  
01.1 Page 1030I  
Nov 01/04

| FIG. & ITEM | PART NO.     | AIRLINE PART NUMBER | NOMENCLATURE<br>1234567   | EFF CODE                              | QTY PER ASSY |
|-------------|--------------|---------------------|---|---------------------------------------|--------------|
| 01-710      | BACB30MY5K18 |                     | ..BOLT  | A-F,<br>H-N,Q<br>R,<br>T-AA,<br>AC-BZ | 26           |
| 712         | BACB30MY5K4  |                     | ..BOLT  | A-F,<br>H-N,Q<br>R,<br>T-AA,<br>AC-BZ | 6            |
| 714         | BACB30MY5K17 |                     | ..BOLT  | A-F,<br>H-N,Q<br>R,<br>T-AA,<br>AC-BZ | 22           |
| 715         | BACB30MY5K17 |                     | ..BOLT  | A-F,<br>H-N,Q<br>R,<br>T-AA,<br>AC-BZ | 1            |
| -715A       | BACB30MY5K17 |                     | ..BOLT-<br>(LIMITED)  | BS-BZ<br>BJ-BR                        | 1            |
| 716         | HL70-5       |                     | ..COLLAR-<br>(V5M902)<br>(SPEC BACC30M5)<br>(OPT HL70-5<br>(V73197))<br>(OPT HL70-5<br>(V92215))<br>(OPT 66014-5<br>(V56878))<br>(OPT HL70-5<br>(V56878)) | A-F,<br>H-N,Q<br>R,<br>T-AA,<br>AC-BZ | 54           |

# 71-11-56

 ILLUSTRATED PARTS LIST  
 01.1 Page 1030J  
 Nov 01/04

**BOEING**  
COMPONENT  
MAINTENANCE MANUAL

| FIG. & ITEM | PART NO.     | AIRLINE PART NUMBER | NOMENCLATURE<br>1234567  | EFF CODE  | QTY PER ASSY |
|-------------|--------------|---------------------|--|---|--------------|
| 01-716H     | HL70-5       |                     | ..COLLAR-<br>(V5M902)<br>(SPEC BACC30M5)<br>(OPT HL70-5<br>(V73197))<br>(OPT HL70-5<br>(V92215))<br>(OPT 66014-5<br>(V56878))<br>(OPT HL70-5<br>(V56878))              | A-F,<br>H-N,Q<br>,R,<br>T-AA,<br>AC-BH<br>BS-BZ | 1            |
| -716J       | HL70-5       |                     | ..COLLAR-<br>(V5M902)<br>(SPEC BACC30M5)<br>(OPT HL70-5<br>(V73197))<br>(OPT HL70-5<br>(V92215))<br>(OPT 66014-5<br>(V56878))<br>(OPT HL70-5<br>(V56878))<br>(LIMITED) | BJ-BR   | 1            |
| 717         | 2ASPPFD6-19  |                     | ..PIN-<br>(V17446)<br>(2ASPPFD6-19,<br>2ASPPF-DT6-19 AND<br>ASPPF-DT06-19 ARE<br>EQUIVALENT PART NUMBERS)  | A-F,<br>H-N,Q<br>,R,<br>T-AA,<br>AC-BZ          | 1            |
| 718         | 2ASPPFD6-19  |                     | DELETED  |   |              |
| 718A        | ASPPFD6-19   |                     | DELETED  |   |              |
| 718B        | 2ASPPFD06-18 |                     | ..PIN-<br>(LIMITED)<br>(V17446)<br>(OPT ITEM 718C)<br>(2ASPPFD6-18,<br>2ASPPF-DT6-18 AND<br>2ASPPF-DT06-18 ARE<br>EQUIVALENT PART NUMBERS)                             | BJ-BR   | 1            |

**71-11-56**

ILLUSTRATED PARTS LIST  
01.1 Page 1030K  
Nov 01/04

| FIG. & ITEM | PART NO.      | AIRLINE PART NUMBER | NOMENCLATURE<br>1234567   | EFF CODE                               | QTY PER ASSY |
|-------------|---------------|---------------------|---|--|--------------|
| 01-718C     | 2ASPPFDT06-17 |                     | ..PIN-<br>(LIMITED)<br>(V17446)<br>(OPT ITEM 718B)<br>(2ASPPFDT6-17,<br>2ASPPF-DT6-17 AND<br>2ASPPF-DT06-17 ARE<br>EQUIVALENT PART NUMBERS) | BJ-BR                                  | 1            |
| 719         | ASPPFFT6-19   |                     | DELETED   |  |              |
| 720         | ASPFSDT6      |                     | DELETED   |  |              |
| 720A        | 2ASPPSDT06    |                     | ..SLEEVE-<br>(LIMITED)<br>(V17446)<br>(2ASPPSDT6, 2ASP-S-DT6<br>AND 2ASP-S-DT06 ARE<br>EQUIVALENT PART NUMBERS)                             | BJ-BR                                  | 1            |
| 721         | 2ASPPSDT6     |                     | ..SLEEVE-<br>(V17446)<br>(2ASPPSDT6, 2ASP-S-DT6<br>AND 2ASP-S-DT06 ARE<br>EQUIVALENT PART NUMBERS)  | A-F,<br>H-N,Q<br>,R,<br>T-AA,<br>AC-BZ | 1            |
| 722         | ASPLC2AC6     |                     | DELETED   |  |              |
| 722A        | ASPLC2AC06    |                     | ..COLLAR-<br>(LIMITED)<br>(V17446)<br>(ASPLC2AC6, ASP-LC2AC6<br>AND ASP-LC2AC6 ARE<br>EQUIVALENT PART NUMBERS)                              | BJ-BR                                  | 1            |
| 723         | ASPLC2AC6     |                     | ..COLLAR-<br>(V17446)<br>(ASPLC2AC6, ASP-LC2AC6<br>AND ASP-LC2AC06 ARE<br>EQUIVALENT PART NUMBERS)  | A-F,<br>H-N,Q<br>,R,<br>T-AA,<br>AC-BZ | 1            |

# 71-11-56

 ILLUSTRATED PARTS LIST  
 01.1 Page 1030L  
 Nov 01/04

| FIG. & ITEM | PART NO.     | AIRLINE PART NUMBER | NOMENCLATURE<br>1234567   | EFF CODE                              | QTY PER ASSY |
|-------------|--------------|---------------------|---|---------------------------------------|--------------|
| 01-724      | BACB30MY6K21 |                     | ..BOLT  | A-F,<br>H-N,Q<br>R,<br>T-AA,<br>AC-BZ | 36           |
| 725         | HL11VAZ6-19  |                     | ..BOLT-<br>(V60516)<br>(SPEC BACB30NW6K19)<br>(OPT B30NW6K19<br>(V97928))<br>(OPT HL11VAZ6-19<br>(V73197))<br>(OPT HL11VAZ6-19<br>(V92215))<br>(OPT HL11VAZ6-19<br>(V97928))<br>(OPT L803-6K19<br>(V06725))<br>(OPT HL11VAZ6-19<br>(V0PTK6))<br>(OPT HL11VAZ6-19<br>(V56878)) | A-F,<br>H-N,Q<br>R,<br>T-AA,<br>AC-BZ | 1            |
| 726         | BACB30MY6K5  |                     | ..BOLT  | A-F,<br>H-N,Q<br>R,<br>T-AA,<br>AC-BZ | 6            |
| 728         | BACB30MY6K3  |                     | ..BOLT  | A-F,<br>H-N,Q<br>R,<br>T-AA,<br>AC-BZ | 6            |

71-11-56

ILLUSTRATED PARTS LIST  
01.1 Page 1030M  
Nov 01/04

| FIG. & ITEM | PART NO.     | AIRLINE PART NUMBER | NOMENCLATURE<br>1234567   | EFF CODE   | QTY PER ASSY |
|-------------|--------------|---------------------|---|--|--------------|
| 01-730      | BACB30MY6K19 |                     | ..BOLT  | A-F,<br>H-N,Q<br>R,<br>T-AA,<br>AC-BZ                | 34           |
| 731         | BACB30MY6K19 |                     | ..BOLT  | A-F,H<br>AA,A<br>F,AH,<br>AK,AM<br>AP<br>AR,AT<br>AV | 4            |
| 732         | BACB30MY6K10 |                     | ..BOLT  | A-F,<br>H-N,Q<br>R,<br>T-AA,<br>AC-BZ                | 1            |
| 734         | HL79-6       |                     | ..COLLAR-<br>(V5M902)<br>(SPEC BACC30M6)<br>(OPT HL79-6<br>(V73197))<br>(OPT HL79-6<br>(V92215))<br>(OPT 66014-6<br>(V56878))<br>(OPT HL79-6<br>(V56878)) | A-F,<br>H-N,Q<br>R,<br>T-AA,<br>AC-BZ                | 84           |
| 735         | HL79-6       |                     | ..COLLAR-<br>(V5M902)<br>(SPEC BACC30M6)<br>(OPT HL79-6<br>(V73197))<br>(OPT HL79-6<br>(V92215))<br>(OPT 66014-6<br>(V56878))<br>(OPT HL79-6<br>(V56878)) | A-F,H<br>AA,A<br>F,AH,<br>AK,AM<br>AP<br>AR,AT<br>AV | 4            |

# 71-11-56

 ILLUSTRATED PARTS LIST  
 01.1 Page 1030N  
 Nov 01/04



 **BOEING**  
COMPONENT  
MAINTENANCE MANUAL

| FIG. & ITEM | PART NO.     | AIRLINE PART NUMBER | NOMENCLATURE<br>1234567   | EFF CODE                              | QTY PER ASSY |
|-------------|--------------|---------------------|---|---------------------------------------|--------------|
| 01-736      | HL1012AZ6-21 |                     | ..BOLT-<br>(V97928)<br>(SPEC BACB30NX6K21)<br>(OPT HL12VAZ6-21 (V73197))<br>(OPT HL12VAZ6-21 (V92215))<br>(OPT HL12VAZ6-21 (V97928))<br>(OPT L802-6K21 (V06725))<br>(OPT HL12VAZ6-21 (V56878))<br>(OPT HL1012AZ6-21 (V0PTK6))<br>(OPT HL1012AZ6-21 (V06725))<br>(OPT HL1012AZ6-21 (V06950))<br>(OPT HL1012AZ6-21 (V17446))<br>(OPT HL1012AZ6-21 (V56878))<br>(OPT HL1012AZ6-21 (V60516))<br>(OPT HL1012AZ6-21 (V73197)) | A-F,<br>H-N,Q<br>R,<br>T-AA,<br>AC-BZ | 2            |

**71-11-56**

ILLUSTRATED PARTS LIST  
01.1 Page 10300  
Nov 01/04

| FIG. & ITEM | PART NO.     | AIRLINE PART NUMBER | NOMENCLATURE   | EFF CODE  | QTY PER ASSY |
|-------------|--------------|---------------------|--|---|--------------|
| 01-736E     | HL1012AZ6-21 |                     | 1234567<br>..BOLT-<br>(V97928)<br>(SPEC BACB30NX6K21)<br>(OPT HL12VAZ6-21 (V73197))<br>(OPT HL12VAZ6-21 (V92215))<br>(OPT HL12VAZ6-21 (V97928))<br>(OPT L802-6K21 (V06725))<br>(OPT HL12VAZ6-21 (V56878))<br>(OPT HL1012AZ6-21 (V0PTK6))<br>(OPT HL1012AZ6-21 (V06725))<br>(OPT HL1012AZ6-21 (V06950))<br>(OPT HL1012AZ6-21 (V17446))<br>(OPT HL1012AZ6-21 (V56878))<br>(OPT HL1012AZ6-21 (V60516))<br>(OPT HL1012AZ6-21 (V73197)) | A-D,<br>J-N,V<br>,Y,Z,<br>AE,AF<br>,AJ,A<br>K<br>AN-AR<br>,AW,A<br>Y,BA,<br>BB,BE<br>,BF<br>BJ,BK<br>,BN,B<br>P,BS,<br>BT,BW<br>,BX | 2            |

# 71-11-56

 ILLUSTRATED PARTS LIST  
 01.1 Page 1030P  
 Nov 01/04

 **BOEING**  
COMPONENT  
MAINTENANCE MANUAL

| FIG. & ITEM | PART NO.     | AIRLINE PART NUMBER | NOMENCLATURE<br>1234567   | EFF CODE  | QTY PER ASSY |
|-------------|--------------|---------------------|---|---|--------------|
| 01-736J     | HL1012AZ6-21 |                     | ..BOLT-<br>(V97928)<br>(SPEC BACB30NX6K21)<br>(OPT HL12VAZ6-21 (V73197))<br>(OPT HL12VAZ6-21 (V92215))<br>(OPT HL12VAZ6-21 (V97928))<br>(OPT L802-6K21 (V06725))<br>(OPT HL12VAZ6-21 (V56878))<br>(OPT HL1012AZ6-21 (V0PTK6))<br>(OPT HL1012AZ6-21 (V06725))<br>(OPT HL1012AZ6-21 (V06950))<br>(OPT HL1012AZ6-21 (V17446))<br>(OPT HL1012AZ6-21 (V56878))<br>(OPT HL1012AZ6-21 (V60516))<br>(OPT HL1012AZ6-21 (V73197)) | E, F, H<br>, Q, R,<br>T, U, W<br>, X, AA<br>, AC<br>AD, AG<br>, AH, A<br>L, AM,<br>AS-AV<br>, AX<br>AZ, BC<br>, BD, B<br>G, BH,<br>BL, BM<br>, BQ<br>BR, BU<br>, BV, B<br>Y, BZ | 1            |

**71-11-56**

ILLUSTRATED PARTS LIST  
01.1 Page 1030Q  
Nov 01/04

| FIG. & ITEM | PART NO.     | AIRLINE PART NUMBER | NOMENCLATURE<br>1234567   | EFF CODE   | QTY PER ASSY |
|-------------|--------------|---------------------|---|--|--------------|
| 01-736P     | HL1012AZ6-21 |                     | ..BOLT-<br>(V97928)<br>(SPEC BACB30NX6K21)<br>(OPT HL12VAZ6-21 (V73197))<br>(OPT HL12VAZ6-21 (V92215))<br>(OPT HL12VAZ6-21 (V97928))<br>(OPT L802-6K21 (V06725))<br>(OPT HL12VAZ6-21 (V56878))<br>(OPT HL1012AZ6-21 (V0PTK6))<br>(OPT HL1012AZ6-21 (V06725))<br>(OPT HL1012AZ6-21 (V06950))<br>(OPT HL1012AZ6-21 (V17446))<br>(OPT HL1012AZ6-21 (V56878))<br>(OPT HL1012AZ6-21 (V60516))<br>(OPT HL1012AZ6-21 (V73197)) | E,F,H<br>,Q,R,<br>T,U,W<br>,X,AA<br>,AC<br>AG,AH<br>,AL,A<br>M,AT,<br>AV,AX<br>,AZ | 1            |

# 71-11-56

 ILLUSTRATED PARTS LIST  
 01.1 Page 1030R  
 Nov 01/04



**BOEING**  
COMPONENT  
MAINTENANCE MANUAL

| FIG. & ITEM | PART NO.     | AIRLINE PART NUMBER | NOMENCLATURE<br>1234567   | EFF CODE  | QTY PER ASSY |
|-------------|--------------|---------------------|---|---|--------------|
| 01-737      | HL1012AZ6-19 |                     | ..BOLT-<br>(V97928)<br>(SPEC BACB30NX6K19)<br>(OPT HL12VAZ6-19 (V73197))<br>(OPT HL12VAZ6-19 (V92215))<br>(OPT HL12VAZ6-19 (V97928))<br>(OPT L802-6K19 (V06725))<br>(OPT HL12VAZ6-19 (V56878))<br>(OPT HL1012AZ6-19 (V0PTK6))<br>(OPT HL1012AZ6-19 (V06725))<br>(OPT HL1012AZ6-19 (V06950))<br>(OPT HL1012AZ6-19 (V17446))<br>(OPT HL1012AZ6-19 (V56878))<br>(OPT HL1012AZ6-19 (V60516))<br>(OPT HL1012AZ6-19 (V73197)) | A-D,<br>J-N,V<br>,Y,Z,<br>AE,AF<br>,AJ,A<br>K<br>AN-AR<br>,AW,A<br>Y,BA,<br>BB,BE<br>,BF<br>BJ,BK<br>,BN,B<br>P,BS,<br>BT,BW<br>,BX | 1            |

**71-11-56**

ILLUSTRATED PARTS LIST  
01.1 Page 1030S  
Nov 01/04

| FIG. & ITEM | PART NO.     | AIRLINE PART NUMBER | NOMENCLATURE<br>1234567   | EFF CODE   | QTY PER ASSY |
|-------------|--------------|---------------------|---|--|--------------|
| 01-737E     | HL1012AZ6-19 |                     | ..BOLT-<br>(V97928)<br>(SPEC BACB30NX6K19)<br>(OPT HL12VAZ6-19 (V73197))<br>(OPT HL12VAZ6-19 (V92215))<br>(OPT HL12VAZ6-19 (V97928))<br>(OPT L802-6K19 (V06725))<br>(OPT HL12VAZ6-19 (V56878))<br>(OPT HL1012AZ6-19 (V0PTK6))<br>(OPT HL1012AZ6-19 (V06725))<br>(OPT HL1012AZ6-19 (V06950))<br>(OPT HL1012AZ6-19 (V17446))<br>(OPT HL1012AZ6-19 (V56878))<br>(OPT HL1012AZ6-19 (V60516))<br>(OPT HL1012AZ6-19 (V73197)) | A-D,<br>J-N,A<br>E,AF,<br>AJ,AK<br>AP<br>AR,AW<br>AY | 2            |

**71-11-56**

ILLUSTRATED PARTS LIST  
01.1 Page 1030T  
Nov 01/04



**BOEING**  
COMPONENT  
MAINTENANCE MANUAL

| FIG. & ITEM  | PART NO.     | AIRLINE PART NUMBER | NOMENCLATURE<br>1234567  | EFF CODE   | QTY PER ASSY |
|--------------|--------------|---------------------|--|--|--------------|
| 01-<br>-737F | HL1012AZ6-19 |                     | ..BOLT-<br>(V97928)<br>(SPEC BACB30NX6K19)<br>(OPT HL12VAZ6-19<br>(V73197))<br>(OPT HL12VAZ6-19<br>(V92215))<br>(OPT HL12VAZ6-19<br>(V97928))<br>(OPT L802-6K19<br>(V06725))<br>(OPT HL12VAZ6-19<br>(V56878))<br>(OPT HL1012AZ6-19<br>(V0PTK6))<br>(OPT HL1012AZ6-19<br>(V06725))<br>(OPT HL1012AZ6-19<br>(V06950))<br>(OPT HL1012AZ6-19<br>(V17446))<br>(OPT HL1012AZ6-19<br>(V56878))<br>(OPT HL1012AZ6-19<br>(V60516))<br>(OPT HL1012AZ6-19<br>(V73197))<br>(LIMITED) | BB,BF<br>,BJ,B<br>K,BN,<br>BP,BS<br>,BT<br>BW,BX | 2            |

**71-11-56**

ILLUSTRATED PARTS LIST  
01.1 Page 1030U  
Nov 01/04

| FIG. & ITEM | PART NO.     | AIRLINE PART NUMBER | NOMENCLATURE<br>1234567   | EFF CODE  | QTY PER ASSY |
|-------------|--------------|---------------------|---|---|--------------|
| 01-737J     | HL1012AZ6-19 |                     | ..BOLT-<br>(V97928)<br>(SPEC BACB30NX6K19)<br>(OPT HL12VAZ6-19 (V73197))<br>(OPT HL12VAZ6-19 (V92215))<br>(OPT HL12VAZ6-19 (V97928))<br>(OPT L802-6K19 (V06725))<br>(OPT HL12VAZ6-19 (V56878))<br>(OPT HL1012AZ6-19 (V0PTK6))<br>(OPT HL1012AZ6-19 (V06725))<br>(OPT HL1012AZ6-19 (V06950))<br>(OPT HL1012AZ6-19 (V17446))<br>(OPT HL1012AZ6-19 (V56878))<br>(OPT HL1012AZ6-19 (V60516))<br>(OPT HL1012AZ6-19 (V73197)) | E,F,H<br>,Q,R,<br>T,U,W<br>,X,AA<br>,AC<br>AD,AG<br>,AH,A<br>L,AM,<br>AS-AV<br>,AX<br>AZ,BC<br>,BD,B<br>G,BH,<br>BL,BM<br>,BQ<br>BR,BU<br>,BV,B<br>Y,BZ | 3            |

# 71-11-56

 ILLUSTRATED PARTS LIST  
 01.1 Page 1030V  
 Nov 01/04



 **BOEING**  
COMPONENT  
MAINTENANCE MANUAL

| FIG. & ITEM | PART NO.     | AIRLINE PART NUMBER | NOMENCLATURE<br>1234567   | EFF CODE  | QTY PER ASSY |
|-------------|--------------|---------------------|---|---|--------------|
| 01-737P     | HL1012AZ6-19 |                     | ..BOLT-<br>(V97928)<br>(SPEC BACB30NX6K19)<br>(OPT HL12VAZ6-19 (V73197))<br>(OPT HL12VAZ6-19 (V92215))<br>(OPT HL12VAZ6-19 (V97928))<br>(OPT L802-6K19 (V06725))<br>(OPT HL12VAZ6-19 (V56878))<br>(OPT HL1012AZ6-19 (V0PTK6))<br>(OPT HL1012AZ6-19 (V06725))<br>(OPT HL1012AZ6-19 (V06950))<br>(OPT HL1012AZ6-19 (V17446))<br>(OPT HL1012AZ6-19 (V56878))<br>(OPT HL1012AZ6-19 (V60516))<br>(OPT HL1012AZ6-19 (V73197)) | E, F, H<br>, Q, R,<br>T, U, W<br>, X, AA<br>, AC<br>AG, AH<br>, AL, A<br>M, AT,<br>AV, AX<br>, AZ | 1            |
| 738         | HL1187-6     |                     | ..COLLAR-<br>(V5M902)<br>(SPEC BACC30X6)<br>(OPT HL87-6 (V73197))<br>(OPT HL87-6 (V92215))<br>(OPT HL1187-6 (V56878))<br>(OPT HL1187-6 (V92215))<br>(OPT HL87-6 (V56878))<br>(OPT HL1187-6 (V73197))  | A-F,<br>H-N, Q<br>, R,<br>T-AA,<br>AC-BZ  | 4            |

71-11-56

| FIG. & ITEM | PART NO. | AIRLINE PART NUMBER | NOMENCLATURE<br>1234567  | EFF CODE  | QTY PER ASSY |
|-------------|----------|---------------------|--|---|--------------|
| 01-738E     | HL1187-6 |                     | ..COLLAR-<br>(V5M902)<br>(SPEC BACC30X6)<br>(OPT HL87-6<br>(V92215))<br>(OPT HL87-6<br>(V73197))<br>(OPT HL1187-6<br>(V56878))<br>(OPT HL1187-6<br>(V92215))<br>(OPT HL87-6<br>(V56878))<br>(OPT HL1187-6<br>(V73197)) | A-D,<br>J-N,V<br>,Y,Z,<br>AE,AF<br>,AJ,A<br>K<br>AN-AR<br>,AW,A<br>Y,BA,<br>BB,BE<br>,BF<br>BJ,BK<br>,BN,B<br>P,BS,<br>BT,BW<br>,BX | 3            |
| 738J        | HL1187-6 |                     | ..COLLAR-<br>(V5M902)<br>(SPEC BACC30X6)<br>(OPT HL87-6<br>(V92215))<br>(OPT HL87-6<br>(V73197))<br>(OPT HL1187-6<br>(V56878))<br>(OPT HL1187-6<br>(V92215))<br>(OPT HL87-6<br>(V56878))<br>(OPT HL1187-6<br>(V73197)) | A-D,<br>J-N,A<br>E,AF,<br>AJ,AK<br>,AP<br>AR,AW<br>,AY  | 2            |

# 71-11-56

 ILLUSTRATED PARTS LIST  
 01.1 Page 1030X  
 Nov 01/04

 **BOEING**  
COMPONENT  
MAINTENANCE MANUAL

| FIG. & ITEM  | PART NO. | AIRLINE PART NUMBER | NOMENCLATURE<br>1234567   | EFF CODE  | QTY PER ASSY |
|--------------|----------|---------------------|---|---|--------------|
| 01-<br>-738K | HL1187-6 |                     | ..COLLAR-<br>(V5M902)<br>(SPEC BACC30X6)<br>(OPT HL87-6<br>(V92215))<br>(OPT HL87-6<br>(V73197))<br>(OPT HL1187-6<br>(V56878))<br>(OPT HL1187-6<br>(V92215))<br>(OPT HL87-6<br>(V56878))<br>(OPT HL1187-6<br>(V73197))<br>(LIMITED) | BB,BF<br>,BJ,B<br>K,BN,<br>BP,BS<br>,BT<br>BW,BX  | 2            |
| 738P         | HL1187-6 |                     | ..COLLAR-<br>(V5M902)<br>(SPEC BACC30X6)<br>(OPT HL87-6<br>(V92215))<br>(OPT HL87-6<br>(V73197))<br>(OPT HL1187-6<br>(V56878))<br>(OPT HL1187-6<br>(V92215))<br>(OPT HL87-6<br>(V56878))<br>(OPT HL1187-6<br>(V73197))<br>(LIMITED) | E,F,H<br>,Q,R,<br>T,U,W<br>,X,AA<br>,AC<br>AD,AG<br>,AH,A<br>L,AM,<br>AS-AV<br>,AX<br>AZ,BC<br>,BD,B<br>G,BH,<br>BL,BM<br>,BQ<br>BR,BU<br>,BV,B<br>Y,BZ | 4            |

71-11-56

ILLUSTRATED PARTS LIST  
01.1 Page 1030Y  
Nov 01/04

| FIG. & ITEM | PART NO.   | AIRLINE PART NUMBER | NOMENCLATURE<br>1234567  | EFF CODE   | QTY PER ASSY |
|-------------|------------|---------------------|--|--|--------------|
| 01-738U     | HL1187-6   |                     | ..COLLAR-<br>(V5M902)<br>(SPEC BACC30X6)<br>(OPT HL87-6<br>(V92215))<br>(OPT HL87-6<br>(V73197))<br>(OPT HL1187-6<br>(V56878))<br>(OPT HL1187-6<br>(V92215))<br>(OPT HL87-6<br>(V56878))<br>(OPT HL1187-6<br>(V73197)) | E,F,H<br>,Q,R,<br>,T,U,W<br>,X,AA<br>,AC<br>,AG,AH<br>,AL,A<br>,M,AT,<br>,AV,AX<br>,AZ | 2            |
| 739         | 2ASFPD6-19 |                     | ..PIN-<br>(V17446)<br>(2ASFPD6-19,<br>2ASFPD6-19 AND<br>ASFPD6-19 ARE<br>EQUIVALENT PART NUMBERS)  | V,Z,A<br>,N,AQ,<br>,BA,BE  | 2            |
| -739A       | 2ASFPD6-19 |                     | ..PIN-<br>(LIMITED)<br>(V17446)<br>(2ASFPD6-19,<br>2ASFPD6-19 AND<br>ASFPD6-19 ARE<br>EQUIVALENT PART NUMBERS)   | BB,BF<br>,BJ,B<br>,K,BN,<br>,BP,BS<br>,BT<br>,BW,BX                                    | 2            |
| 739D        | 2ASFPD6-21 |                     | ..PIN-<br>(V17446)<br>(2ASFPD6-21,<br>2ASFPD6-21 AND<br>ASFPD6-21 ARE<br>EQUIVALENT PART NUMBERS)  | X,AD,<br>,AS,AU<br>,BC,B<br>,D,BG,<br>,BH,BL<br>,BM,BQ<br>,BR,B<br>,U,BV,<br>,BY,BZ    | 1            |

# 71-11-56

 ILLUSTRATED PARTS LIST  
 01.1 Page 1030Z  
 Nov 01/04

 **BOEING**  
COMPONENT  
MAINTENANCE MANUAL

| FIG. & ITEM | PART NO.    | AIRLINE PART NUMBER | NOMENCLATURE<br>1234567   | EFF CODE  | QTY PER ASSY |
|-------------|-------------|---------------------|---|---|--------------|
| 01-739G     | 2ASFPD06-19 |                     | ..PIN-<br>(V17446)<br>(2ASFPD06-19,<br>2ASFP-DT6-19 AND<br>ASFP-DT06-19 ARE<br>EQUIVALENT PART NUMBERS)         | X,AD,<br>AS,AU<br>,BC,B<br>D,BG,<br>BH,BL<br>BM,BQ<br>,BR,B<br>U,BV,<br>BY,BZ | 1            |
| 739K        | 2ASPPSDT06  |                     | ..SLEEVE-<br>(V17446)<br>(2ASPPSDT6, 2ASP-S-DT6<br>AND 2ASP-S-DT06 ARE<br>EQUIVALENT PART NUMBERS)              | V,Z,A<br>N,AQ,<br>BA,BE   | 2            |
| -739L       | 2ASPPSDT06  |                     | ..SLEEVE-<br>(LIMITED)<br>(V17446)<br>(2ASPPSDT6, 2ASP-S-DT6<br>AND 2ASP-S-DT06 ARE<br>EQUIVALENT PART NUMBERS) | BB,BF<br>,BJ,B<br>K,BN,<br>BP,BS<br>,BT<br>BW,BX                              | 2            |
| 739P        | 2ASPPSDT06  |                     | ..SLEEVE-<br>(V17446)<br>(2ASPPSDT6, 2ASP-S-DT6<br>AND 2ASP-S-DT06 ARE<br>EQUIVALENT PART NUMBERS)              | X,AD,<br>AS,AU<br>,BC,B<br>D,BG,<br>BH,BL<br>BM,BQ<br>,BR,B<br>U,BV,<br>BY,BZ | 1            |

71-11-56

ILLUSTRATED PARTS LIST  
01.1 Page 1031  
Nov 01/04

| FIG. & ITEM | PART NO.    | AIRLINE PART NUMBER | NOMENCLATURE<br>1234567  | EFF CODE  | QTY PER ASSY |
|-------------|-------------|---------------------|--|---|--------------|
| 01-739S     | ASPLC2AC06  |                     | ..COLLAR-<br>(V17446)<br>(ASPLC2AC6, ASP-LC2AC6<br>AND ASP-LC2AC6 ARE<br>EQUIVALENT PART NUMBERS)              | V,Z,A<br>N,AQ,<br>BA,BE   | 2            |
| -739T       | ASPLC2AC06  |                     | ..COLLAR-<br>(LIMITED)<br>(V17446)<br>(ASPLC2AC6, ASP-LC2AC6<br>AND ASP-LC2AC6 ARE<br>EQUIVALENT PART NUMBERS) | BB,BF<br>,BJ,B<br>K,BN,<br>BP,BS<br>,BT   | 2            |
| 739W        | ASPLC2AC06  |                     | ..COLLAR-<br>(V17446)<br>(ASPLC2AC6, ASP-LC2AC6<br>AND ASP-LC2AC6 ARE<br>EQUIVALENT PART NUMBERS)              | BW,BX<br>X,AD,<br>AS,AU<br>,BC,B<br>D,BG,<br>BH,BL<br>BM,BQ<br>,BR,B<br>U,BV,<br>BY,BZ  | 1            |
| 740         | 315T4013-11 |                     | ..SHIM   | A-D,<br>J-N,V<br>,Y,Z,<br>AE,AF<br>,AJ,A<br>K<br>AN-AR<br>,AW,A<br>Y,BA,<br>BB,BE<br>,BF<br>BJ,BK<br>,BN,B<br>P,BS,<br>BT,BW<br>,BX | 1            |

# 71-11-56

 ILLUSTRATED PARTS LIST  
 01.1 Page 1032  
 Nov 01/04

| FIG. & ITEM | PART NO.    | AIRLINE PART NUMBER | NOMENCLATURE      | EFF CODE  | QTY PER ASSY |
|-------------|-------------|---------------------|-------------------|---|--------------|
| 01-742      | 315T4013-12 |                     | 1234567<br>..SHIM | E, F, H<br>, Q, R,<br>T, U, W<br>, X, AA<br>, AC<br>AD, AG<br>, AH, A<br>L, AM,<br>AS-AV<br>, AX<br>AZ, BC<br>, BD, B<br>G, BH,<br>BL, BM<br>, BQ<br>BR, BU<br>, BV, B<br>Y, BZ | 1            |
| 744         | 315T4013-17 |                     | ..FILLER-RADIUS   | A-D,<br>J-N, V<br>, Y, Z,<br>AE, AF<br>, AJ, A<br>K<br>AN-AR<br>, AW, A<br>Y, BA,<br>BB, BE<br>, BF<br>BJ, BK<br>, BN, B<br>P, BS,<br>BT, BW<br>, BX                            | 1            |

71-11-56

| FIG. & ITEM | PART NO.    | AIRLINE PART NUMBER | NOMENCLATURE<br>1234567 | EFF CODE  | QTY PER ASSY |
|-------------|-------------|---------------------|-------------------------|---|--------------|
| 01-746      | 315T4013-18 |                     | .. FILLER-RADIUS        | E, F, H<br>, Q, R,<br>T, U, W<br>, X, AA<br>, AC<br>AD, AG<br>, AH, A<br>L, AM,<br>AS-AV<br>, AX<br>AZ, BC<br>, BD, B<br>G, BH,<br>BL, BM<br>, BQ<br>BR, BU<br>, BV, B<br>Y, BZ | 1            |
| 748         | 315T4013-19 |                     | .. FILLER-RADIUS        | A-D,<br>J-N, V<br>, Y, Z,<br>AE, AF<br>, AJ, A<br>K<br>AN-AR<br>, AW, A<br>Y, BA,<br>BB, BE<br>, BF<br>BJ, BK<br>, BN, B<br>P, BS,<br>BT, BW<br>, BX                            | 1            |

# 71-11-56

 ILLUSTRATED PARTS LIST  
 01.1 Page 1032B  
 Nov 01/04



| FIG. & ITEM | PART NO.        | AIRLINE PART NUMBER | NOMENCLATURE<br>1234567 | EFF CODE  | QTY PER ASSY |
|-------------|-----------------|---------------------|-------------------------|---|--------------|
| 01-<br>-750 | 315T4013-20     |                     | ..FILLER-RADIUS         | E,F,H<br>,Q,R,<br>T,U,W<br>,X,AA<br>,AC<br>AD,AG<br>,AH,A<br>L,AM,<br>AS-AV<br>,AX<br>AZ,BC<br>,BD,B<br>G,BH,<br>BL,BM<br>,BQ<br>BR,BU<br>,BV,B<br>Y,BZ | 1            |
| 752         | 315T4013-16     |                     | ..SHIM                  | A-F,<br>H-N,Q<br>,R,<br>T-AA,<br>AC-BZ  | 1            |
| 754         | BACS40R023C030F |                     | ..SHIM                  | A-F,<br>H-N,Q<br>,R,<br>T-AA,<br>AC-BZ  | 1            |
| 756         | 315T4013-14     |                     | ..SHIM                  | A-F,<br>H-N,Q<br>,R,<br>T-AA,<br>AC-BZ  | 1            |

71-11-56

| FIG. & ITEM | PART NO.    | AIRLINE PART NUMBER | NOMENCLATURE               | EFF CODE  | QTY PER ASSY |
|-------------|-------------|---------------------|----------------------------|---|--------------|
| 01-758      | 315T4013-15 |                     | 1234567<br>..FILLER-RADIUS | A-D,<br>J-N,V<br>,Y,Z,<br>AE,AF<br>,AJ,A<br>K<br>AN-AR<br>,AW,A<br>Y,BA,<br>BB,BE<br>,BF<br>BJ,BK<br>,BN,B<br>P,BS,<br>BT,BW<br>,BX                     | 2            |
| 759         | 315T4013-15 |                     | ..FILLER-RADIUS            | E,F,H<br>,Q,R,<br>T,U,W<br>,X,AA<br>,AC<br>AD,AG<br>,AH,A<br>L,AM,<br>AS-AV<br>,AX<br>AZ,BC<br>,BD,B<br>G,BH,<br>BL,BM<br>,BQ<br>BR,BU<br>,BV,B<br>Y,BZ | 2            |
| 760         | HL12VAZ6-10 |                     | DELETED                    |   |              |

# 71-11-56

 ILLUSTRATED PARTS LIST  
 01.1 Page 1032D  
 Nov 01/04

 **BOEING**  
COMPONENT  
MAINTENANCE MANUAL

| FIG. & ITEM              | PART NO.                              | AIRLINE PART NUMBER | NOMENCLATURE<br>1234567   | EFF CODE                               | QTY PER ASSY |
|--------------------------|---------------------------------------|---------------------|---|--|--------------|
| 01-<br>762<br>763<br>764 | HL13VAZ6-9<br>HL1187DU6<br>HL13VAZ6-5 |                     | DELETED<br>DELETED<br>..BOLT-<br>(V56878)<br>(SPEC BACB30NY6K5)<br>(OPT HL13VAZ6-5<br>(V73197))<br>(OPT HL13VAZ6-5<br>(V92215))<br>(OPT HL13VAZ6-5<br>(V97928))<br>(OPT L801-6K5<br>(V06725))<br>(OPT HL13VAZ6-5<br>(V08524))<br>(OPT HL13V5<br>(V06725))<br>(OPT HL13VAZ6-5<br>(V17446)) | A-F,<br>H-N,Q<br>,R,<br>T-AA,<br>AC-BZ | 2            |
| 766                      | HL1187DU6                             |                     | ..COLLAR-<br>(V5M902)<br>(SPEC BACC30X6S)<br>(OPT HL87DU6<br>(V73197))<br>(OPT HL87DU6<br>(V92215))<br>(OPT HL1187DU6<br>(V56878))<br>(OPT HL1187DU6<br>(V92215))<br>(OPT HL87DU6<br>(V56878))<br>(OPT HL1187DU6<br>(V73197))   | A-F,<br>H-N,Q<br>,R,<br>T-AA,<br>AC-BZ | 2            |

71-11-56

ILLUSTRATED PARTS LIST  
01.1 Page 1032E  
Nov 01/04

| FIG. & ITEM | PART NO.   | AIRLINE PART NUMBER | NOMENCLATURE<br>1234567 | EFF CODE  | QTY PER ASSY |
|-------------|------------|---------------------|-------------------------|---|--------------|
| 01-768      | 315T4008-1 |                     | ..FAIRING-FILLET        | A-D,<br>J-N,V<br>,Y,Z,<br>AE,AF<br>,AJ,A<br>K<br>AN-AR<br>,AW,A<br>Y,BA,<br>BB,BE<br>,BF<br>BJ,BK<br>,BN,B<br>P,BS,<br>BT,BW<br>,BX                     | 1            |
| -770        | 315T4008-2 |                     | ..FAIRING-FILLET        | E,F,H<br>,Q,R,<br>T,U,W<br>,X,AA<br>,AC<br>AD,AG<br>,AH,A<br>L,AM,<br>AS-AV<br>,AX<br>AZ,BC<br>,BD,B<br>G,BH,<br>BL,BM<br>,BQ<br>BR,BU<br>,BV,B<br>Y,BZ | 1            |

# 71-11-56

 ILLUSTRATED PARTS LIST  
 01.1 Page 1032F  
 Nov 01/04

**BOEING**  
COMPONENT  
MAINTENANCE MANUAL

| FIG. & ITEM | PART NO.    | AIRLINE PART NUMBER | NOMENCLATURE<br>1234567                            | EFF CODE  | QTY PER ASSY |
|-------------|-------------|---------------------|--|---|--------------|
| 01-772      | 315T4400-1  |                     | ..BIFURCATION ASSY-LWR<br>(FOR DETAILS SEE FIG. 7) | A   | 1            |
| -772A       | 315T4400-69 |                     | ..BIFURCATION ASSY-LWR<br>(FOR DETAILS SEE FIG. 7) | B-D,<br>J-N,V<br>,Y,Z,<br>AE,AF<br>,AJ,A<br>K<br>AN-AR<br>,AW,A<br>Y,BA,<br>BB,BE<br>,BF<br>BJ,BK<br>,BN,B<br>P,BS,<br>BT,BW<br>,BX                   | 1            |
| -774        | 315T4400-2  |                     | ..BIFURCATION ASSY-LWR<br>(FOR DETAILS SEE FIG. 7) | E   | 1            |
| -774A       | 315T4400-70 |                     | ..BIFURCATION ASSY-LWR<br>(FOR DETAILS SEE FIG. 7) | F,H,Q<br>,R,T,<br>U,W,X<br>,AA,A<br>C,AD<br>AG,AH<br>,AL,A<br>M,A<br>S-AV,<br>AX,AZ<br>BC,BD<br>,BG,B<br>H,BL,<br>BM,BQ<br>,BR<br>BU,BV<br>,BY,B<br>Z | 1            |

71-11-56

ILLUSTRATED PARTS LIST  
01.1 Page 1032G  
Nov 01/04

| FIG. & ITEM | PART NO.    | AIRLINE PART NUMBER | NOMENCLATURE<br>1234567                       | EFF CODE  | QTY PER ASSY |
|-------------|-------------|---------------------|---|---|--------------|
| 01-776      | 315T4409-15 |                     | ..PAD ASSY-LWR BIFURCATION<br>(OPT ITEM 776A) | A-D,<br>J-N,V<br>,Y,Z,<br>AE,AF<br>,AJ,A<br>K<br>AN-AR<br>,AW,A<br>Y,BA,<br>BB,BE<br>,BF<br>BJ,BK<br>,BN,B<br>P,BS,<br>BT,BW<br>,BX | 1            |
| -776A       | 315T4409-13 |                     | ..PAD ASSY-LWR BIFURCATION<br>(OPT ITEM 776)  | A-D,<br>J-N,V<br>,Y,Z,<br>AE,AF<br>,AJ,A<br>K<br>AN-AR<br>,AW,A<br>Y,BA,<br>BB,BE<br>,BF<br>BJ,BK<br>,BN,B<br>P,BS,<br>BT,BW<br>,BX | 1            |
| -776B       | 315T4409-15 |                     | DELETED                                       |   |              |
| -776C       | 315T4409-13 |                     | DELETED                                       |   |              |

# 71-11-56

 ILLUSTRATED PARTS LIST  
 01.1 Page 1032H  
 Nov 01/04

 **BOEING**  
COMPONENT  
MAINTENANCE MANUAL

| FIG. & ITEM | PART NO.    | AIRLINE PART NUMBER | NOMENCLATURE   | EFF CODE  | QTY PER ASSY |
|-------------|-------------|---------------------|--|---|--------------|
| 01-<br>-778 | 315T4409-16 |                     | 1234567<br>..PAD ASSY-LWR BIFURCATION<br>(OPT ITEM 778A) | E,F,H<br>,Q,R<br>,T,U,W<br>,X,AA<br>,AC<br>AD,AG<br>,AH,A<br>L,AM<br>AS-AV<br>,AX<br>AZ,BC<br>,BD,B<br>G,BH<br>BL,BM<br>,BQ<br>BR,BU<br>,BV,B<br>Y,BZ | 1            |
| -778A       | 315T4409-14 |                     | ..PAD ASSY-LWR BIFURCATION<br>(OPT ITEM 778)             | E,F,H<br>,Q,R<br>,T,U,W<br>,X,AA<br>,AC<br>AD,AG<br>,AH,A<br>L,AM<br>AS-AV<br>,AX<br>AZ,BC<br>,BD,B<br>G,BH<br>BL,BM<br>,BQ<br>BR,BU<br>,BV,B<br>Y,BZ | 1            |

**71-11-56**

ILLUSTRATED PARTS LIST  
01.1 Page 1032I  
Nov 01/04

| FIG. & ITEM           | PART NO.                                    | AIRLINE PART NUMBER | NOMENCLATURE<br>1234567                 | EFF CODE  | QTY PER ASSY |
|-----------------------|---|---------------------|---|---|--------------|
| 01-<br>-778D          | 315T4409-15                                 |                     | ..PAD ASSY-LWR BIFURCATION<br>(LIMITED) | F,H,Q<br>,R,T,<br>U,W,X<br>,AA,A<br>C,AD<br>AG,AH<br>,AL,A<br>M,A<br>S-AV,<br>AX,AZ<br>BC,BD<br>,BG,B<br>H,BL,<br>BM,BQ<br>,BR<br>BU,BV<br>,BY,B<br>Z | 1            |
| -778B<br>-778C<br>780 | 315T4409-16<br>315T4409-14<br>MS21209C0820P |                     | DELETED<br>DELETED<br>...INSERT         | A-F,<br>H-N,Q<br>,R,<br>T-AA,<br>AC-BZ  | 2            |
| 782                   | 315T4409-19                                 |                     | ...PAD-<br>(USED ON ITEM 776)           | A-D,<br>J-N,V<br>,Y,Z,<br>AE,AF<br>,AJ,A<br>K<br>AN-AR<br>,AW,A<br>Y,BA,<br>BB,BE<br>,BF<br>BJ,BK<br>,BN,B<br>P,BS,<br>BT,BW<br>,BX                   | 1            |

# 71-11-56

 ILLUSTRATED PARTS LIST  
 01.1 Page 1032J  
 Nov 01/04



 **BOEING**  
COMPONENT  
MAINTENANCE MANUAL

| FIG. & ITEM  | PART NO.    | AIRLINE PART NUMBER | NOMENCLATURE                              | EFF CODE  | QTY PER ASSY |
|--------------|-------------|---------------------|---|---|--------------|
| 01-<br>-782A | 315T4409-17 |                     | 1234567<br>...PAD-<br>(USED ON ITEM 776A) | A-D,<br>J-N,V<br>,Y,Z,<br>AE,AF<br>,AJ,A<br>K<br>AN-AR<br>,AW,A<br>Y,BA,<br>BB,BE<br>,BF<br>BJ,BK<br>,BN,B<br>P,BS,<br>BT,BW<br>,BX                     | 1            |
| -784         | 315T4409-20 |                     | ...PAD-<br>(USED ON ITEM 778)             | E,F,H<br>,Q,R,<br>T,U,W<br>,X,AA<br>,AC<br>AD,AG<br>,AH,A<br>L,AM,<br>AS-AV<br>,AX<br>AZ,BC<br>,BD,B<br>G,BH,<br>BL,BM<br>,BQ<br>BR,BU<br>,BV,B<br>Y,BZ | 1            |

71-11-56

ILLUSTRATED PARTS LIST  
01.1 Page 1032K  
Nov 01/04

| FIG. & ITEM  | PART NO.                 | AIRLINE PART NUMBER | NOMENCLATURE                              | EFF CODE   | QTY PER ASSY |
|--------------|--------------------------|---------------------|---|--|--------------|
| 01-<br>-784A | 315T4409-18              |                     | 1234567<br>...PAD-<br>(USED ON ITEM 778A) | E, F, H<br>, Q, R,<br>, T, U, W<br>, X, AA<br>, AC<br>, AD, AG<br>, AH, A<br>, L, AM,<br>, AS-AV<br>, AX<br>, AZ, BC<br>, BD, B<br>, G, BH,<br>, BL, BM<br>, BQ<br>, BR, BU<br>, BV, B<br>, Y, BZ  | 1            |
| -784B        | 315T4409-19              |                     | ...PAD-<br>(USED ON ITEM 778D)            | F, H, Q<br>, R, T,<br>, U, W, X<br>, AA, A<br>, C, AD<br>, AG, AH<br>, AL, A<br>, M, A<br>, S-AV,<br>, AX, AZ<br>, BC, BD<br>, BG, B<br>, H, BL,<br>, BM, BQ<br>, BR<br>, BU, BV<br>, BY, B<br>, Z | 1            |
| 786<br>-786A | 315T4131-1<br>315T4131-2 |                     | DELETED<br>DELETED                        |  |              |

# 71-11-56

 ILLUSTRATED PARTS LIST  
 01.1 Page 1032L  
 Nov 01/04

 **BOEING**  
COMPONENT  
MAINTENANCE MANUAL

| FIG. & ITEM | PART NO.      | AIRLINE PART NUMBER | NOMENCLATURE<br>1234567  | EFF CODE   | QTY PER ASSY |
|-------------|---------------|---------------------|--|--|--------------|
| 01-788      | 315T4131-2    |                     | ..PAD ASSY-MID LWR BIFURCATION (LIMITED) (OPT ITEM 788A)   | A-F,<br>H-N,Q<br>,R,<br>T-AA,<br>AC-BZ                         | 2            |
| -788A       | 315T4131-1    |                     | ..PAD ASSY-MID LWR BIFURCATION (LIMITED) (OPT ITEM 788)  | A-F,<br>H-N,Q<br>,R,<br>T-AA,<br>AC-BZ                         | 2            |
| 790         | MS21209C0820P |                     | ...INSERT  | A-F,<br>H-N,Q<br>,R,<br>T-AA,<br>AC-BZ                         | 1            |
| 791         | 315N3409-9    |                     | ...PLATE-WEAR  | A-F,<br>H-N,Q<br>,R,<br>T-AA,<br>AC-BZ                         | 1            |
| 792         | 315T4409-3    |                     | DELETED  |  |              |
| 794         | 315T4409-4    |                     | DELETED  |  |              |
| 794A        | 315T4131-4    |                     | ...PAD- (USED ON ITEMS 788)  | A-F,<br>H-N,Q<br>,R,<br>T-AA,<br>AC-BZ                         | 1            |
| -794B       | 315T4131-3    |                     | ...PAD- (USED ON ITEMS 788A)   | A-F,<br>H-N,Q<br>,R,<br>T-AA,<br>AC-BZ                         | 1            |
| 796         | 315T3204-11   |                     | ..RING ASSY- (USED ON ITEMS 475A, 475B, 475D) (PRE SB 747-78A2165) (PRE SB 767-78A0080) (PRE SB 767-78A0089) (FOR DETAILS SEE FIG. 13) | A-D,J<br>,K,M,<br>N,AE,<br>AF,AJ<br>,AK<br>AP,AR<br>,AW,A<br>Y | 1            |

71-11-56

ILLUSTRATED PARTS LIST  
01.1 Page 1032M  
Nov 01/04

| FIG. & ITEM  | PART NO.     | AIRLINE PART NUMBER | NOMENCLATURE<br>1234567  | EFF CODE  | QTY PER ASSY |
|--------------|--------------|---------------------|--|---|--------------|
| 01-<br>-796A | 315T3204-21  |                     | ..RING ASSY-<br>(USED ON ITEMS 475A,<br>475B, 475D)<br>(POST SB 747-78A2165)<br>(POST SB 767-78A0080)<br>(POST SB 767-78A0089)<br>(FOR DETAILS SEE<br>FIG. 13) | A-D,J<br>,K,M,<br>,N,AE,<br>AF,AJ<br>,AK<br>AP,AR<br>,AW,A<br>Y     | 1            |
| -798         | 315T3204-12  |                     | ..RING ASSY-<br>(USED ON ITEMS 478A,<br>478B, 478D)<br>(PRE SB 747-78A2165)<br>(PRE SB 767-78A0080)<br>(PRE SB 767-78A0089)<br>(FOR DETAILS SEE<br>FIG. 13)    | E,F,H<br>,Q,R,<br>T,U,A<br>A,AG,<br>AH,AL<br>AM,AT<br>,AV,A<br>X,AZ | 1            |
| -798A        | 315T3204-22  |                     | ..RING ASSY-<br>(USED ON ITEMS 478A,<br>478B, 478D)<br>(POST SB 747-78A2165)<br>(POST SB 767-78A0080)<br>(POST SB 767-78A0089)<br>(FOR DETAILS SEE<br>FIG. 13) | E,F,H<br>,Q,R,<br>T,U,A<br>A,AG,<br>AH,AL<br>AM,AT<br>,AV,A<br>X,AZ | 1            |
| 800          | BACR15CE6KE7 |                     | DELETED  |   |              |
| 802          | 315T3222-4   |                     | DELETED  |   |              |
| 804          | HL13VAZ6-4   |                     | DELETED  |   |              |
| 806          | HL11VAZ6-3   |                     | DELETED  |   |              |
| 808          | HL79-6       |                     | DELETED  |   |              |

# 71-11-56

 ILLUSTRATED PARTS LIST  
 01.1 Page 1032N  
 Nov 01/04

**BOEING**  
COMPONENT  
MAINTENANCE MANUAL

| FIG. & ITEM | PART NO.      | AIRLINE PART NUMBER | NOMENCLATURE  | EFF CODE  | QTY PER ASSY |
|-------------|---------------|---------------------|---|---|--------------|
|             |               |                     | 1234567   |   |              |
| 01-         |               |                     |   |   |              |
| 810         | 315T3220-1    |                     | DELETED   |   |              |
| 812         | BACR15CE8KE20 |                     | DELETED   |   |              |
| 814         | BACR15CE8KE22 |                     | DELETED   |   |              |
| 816         | BACR15CE8KE17 |                     | DELETED   |   |              |
| 818         | BACR15CE8KE19 |                     | DELETED   |   |              |
| 820         | HL11VAZ6-5    |                     | DELETED   |   |              |
| 822         | HL10VAZ6-4    |                     | DELETED   |   |              |
| 824         | HL79-6        |                     | DELETED   |   |              |
| 826         | BACS40R21B29F |                     | DELETED   |   |              |
| 828         | BACS40R22C65F |                     | DELETED   |   |              |
| 830         | BACS40R11B33F |                     | DELETED   |   |              |
| 832         | BACS40R21B35F |                     | DELETED   |   |              |
| 834         | BACS40R22C58F |                     | DELETED   |   |              |
| 836         | BACS40R11B28F |                     | DELETED   |   |              |
| 838         | 315T4203-3    |                     | DELETED   |   |              |
| -838A       | 315T4203-1    |                     | DELETED   |   |              |
| -838B       | 315T4203-7    |                     | DELETED   |   |              |
| -840        | 315T4203-4    |                     | DELETED   |   |              |
| -840A       | 315T4203-2    |                     | DELETED   |   |              |
| -840B       | 315T4203-8    |                     | DELETED   |   |              |
| 842         | 315T4216-1    |                     | DELETED   |   |              |
| 842A        | 315T4216-3    |                     | DELETED   |   |              |
| -842B       | 315T4216-5    |                     | DELETED   |   |              |
| -844        | 315T4216-2    |                     | DELETED   |   |              |
| -844A       | 315T4216-4    |                     | DELETED   |   |              |
| -844B       | 315T4216-6    |                     | DELETED   |   |              |
| 846         | 315T3240-11   |                     | ..SEAL INSTL-THRUST REVERSER AERODYN (FOR DETAILS SEE FIG. 8) | A-D,<br>J-N,V<br>,Y,Z,<br>AE,AF<br>,AJ,A<br>K<br>AN-AR<br>,AW,A<br>Y,BA,<br>BB,BE<br>,BF<br>BJ,BK<br>,BN,B<br>P,BS,<br>BT,BW<br>,BX | 1            |

71-11-56

ILLUSTRATED PARTS LIST  
01.1 Page 10320  
Nov 01/04

| FIG. & ITEM  | PART NO.                   | AIRLINE PART NUMBER | NOMENCLATURE<br>1234567   | EFF CODE  | QTY PER ASSY |
|--------------|----------------------------|---------------------|---|---|--------------|
| 01-<br>-848  | 315T3240-12                |                     | ..SEAL INSTL-THRUST REVERSER AERODYN (FOR DETAILS SEE FIG. 8)       | E,F,H<br>,Q,R,<br>T,U,W<br>,X,AA<br>,AC<br>AD,AG<br>,AH,A<br>L,AM,<br>AS-AV<br>,AX<br>AZ,BC<br>,BD,B<br>G,BH,<br>BL,BM<br>,BQ<br>BR,BU<br>,BV,B<br>Y,BZ | 1            |
| -850<br>850A | 315T4122-1<br>315T3202-149 |                     | DELETED<br>.BOX INSTL-COWL REVERSER TORQUE (FOR DETAILS SEE FIG. 2) | B-D,J<br>,M,AE<br>,AF,A<br>J,AK,<br>AP,AR   | 1            |
| -850B        | 315T3202-179               |                     | .BOX INSTL-COWL REVERSER TORQUE (LIMITED) (FOR DETAILS SEE FIG. 2)  | AW,AY   | 1            |
| -850C        | 315T3202-149               |                     | .BOX INSTL-COWL REVERSER TORQUE (LIMITED) (FOR DETAILS SEE FIG. 2)  | AW,AY   | 1            |
| -850D        | 315T3202-179               |                     | .BOX INSTL-COWL REVERSER TORQUE (FOR DETAILS SEE FIG. 2)            | V,Z,A<br>N,AQ,<br>BA,BB<br>,BE,B<br>F,BJ<br>BK,BN<br>,BP  | 1            |

# 71-11-56

 ILLUSTRATED PARTS LIST  
 01.1 Page 1032P  
 Nov 01/04

 **BOEING**  
COMPONENT  
MAINTENANCE MANUAL

| FIG. & ITEM                | PART NO.   | AIRLINE PART NUMBER | NOMENCLATURE<br>1234567  | EFF CODE  | QTY PER ASSY |
|----------------------------|--|---------------------|--|---|--------------|
| 01-<br>852<br>854<br>-854A | HL523VAZ6-18<br>HL79-6<br>315T3202-150                         |                     | DELETED<br>DELETED<br>.BOX INSTL-COWL REVERSER<br>TORQUE<br>(FOR DETAILS SEE FIG. 2)             | F,H,Q<br>,R,T,<br>U,AA,<br>AG,AH<br>,AL<br>AM,AT<br>,AV   | 1            |
| -854B                      | 315T3202-180   |                     | .BOX INSTL-COWL REVERSER<br>TORQUE<br>(LIMITED)<br>(FOR DETAILS SEE FIG. 2)                      | AX,AZ<br>,BD,B<br>H                                       | 1            |
| -854C                      | 315T3202-150   |                     | .BOX INSTL-COWL REVERSER<br>TORQUE<br>(LIMITED)<br>(FOR DETAILS SEE FIG. 2)                      | AX,AZ   | 1            |
| -854D                      | 315T3202-180   |                     | .BOX INSTL-COWL REVERSER<br>TORQUE<br>(FOR DETAILS SEE FIG. 2)                                   | X,AD,<br>AS,AU<br>,BC,B<br>D,BG,<br>BH,BL<br>BM,BQ<br>,BR | 1            |
| 856<br>858<br>860<br>-860A | BACS4OR09A67F<br>NAS514P1032-8P<br>AN960PD10L<br>315T4013-5003 |                     | DELETED<br>DELETED<br>DELETED<br>.COLLECTOR ASSY-LIMITED<br>PART<br>(FOR DETAILS SEE<br>FIG. 16) | V,Z,A<br>W,AY   | 1            |

71-11-56

ILLUSTRATED PARTS LIST  
01.1 Page 1032Q  
Nov 01/04

| FIG. & ITEM  | PART NO.      | AIRLINE PART NUMBER | NOMENCLATURE<br>1234567   | EFF CODE            | QTY PER ASSY |
|--------------|---------------|---------------------|---|---------------------|--------------|
| 01-<br>-860B | 315T4013-5004 |                     | .COLLECTOR ASSY-LIMITED<br>PART<br>(FOR DETAILS SEE<br>FIG. 16) | V,Z,A<br>W,AY       | 1            |
| -860C        | 315T4013-5007 |                     | .COLLECTOR ASSY-LIMITED<br>PART<br>(FOR DETAILS SEE<br>FIG. 16) | L,Y                 | 1            |
| -860D        | 315T4013-5008 |                     | .COLLECTOR ASSY-LIMITED<br>PART<br>(FOR DETAILS SEE<br>FIG. 16) | L,Y                 | 1            |
| -860E        | 315T4013-5015 |                     | .COLLECTOR ASSY-LIMITED<br>PART<br>(FOR DETAILS SEE<br>FIG. 16) | K,N,A<br>W,AY       | 1            |
| -860F        | 315T4013-5017 |                     | .COLLECTOR ASSY-LIMITED<br>PART<br>(FOR DETAILS SEE<br>FIG. 16) | K,N,A<br>W,AY       | 1            |
| -860G        | 315T4013-5019 |                     | .COLLECTOR ASSY-LIMITED<br>PART<br>(FOR DETAILS SEE<br>FIG. 16) | L,Y                 | 1            |
| -860H        | 315T4013-5011 |                     | .COLLECTOR ASSY-LIMITED<br>PART<br>(FOR DETAILS SEE<br>FIG. 16) | AN,AQ<br>,AW,A<br>Y | 1            |
| -860J        | 315T4013-5012 |                     | .COLLECTOR ASSY-LIMITED<br>PART<br>(FOR DETAILS SEE<br>FIG. 16) | AN,AQ<br>,AW,A<br>Y | 1            |
| -860K        | 315T4013-5023 |                     | .COLLECTOR ASSY-LIMITED<br>PART<br>(FOR DETAILS SEE<br>FIG. 16) | L,Y                 | 1            |

# 71-11-56

 ILLUSTRATED PARTS LIST  
 01.1 Page 1032R  
 Nov 01/04





**BOEING**  
COMPONENT  
MAINTENANCE MANUAL

| FIG. & ITEM  | PART NO.      | AIRLINE PART NUMBER | NOMENCLATURE<br>1234567                                   | EFF CODE      | QTY PER ASSY |
|--------------|---------------|---------------------|---|---------------|--------------|
| 01-<br>-860L | 315T4013-5025 |                     | .COLLECTOR ASSY-LIMITED PART<br>(FOR DETAILS SEE FIG. 16) | V,Z,A<br>W,AY | 1            |
| -860M        | 315T4013-5027 |                     | .COLLECTOR ASSY-LIMITED PART<br>(FOR DETAILS SEE FIG. 16) | BA,BE         | 1            |
| -860N        | 315T4013-5029 |                     | .COLLECTOR ASSY-LIMITED PART<br>(FOR DETAILS SEE FIG. 16) | V,Z,A<br>W,AY | 1            |
| -860P        | 315T4013-5031 |                     | .COLLECTOR ASSY-LIMITED PART<br>(FOR DETAILS SEE FIG. 16) | BA,BE         | 1            |
| -860Q        | 315T4013-5039 |                     | .COLLECTOR ASSY-LIMITED PART<br>(FOR DETAILS SEE FIG. 16) | BA,BE         | 1            |
| -860R        | 315T4013-5051 |                     | .COLLECTOR ASSY-LIMITED PART<br>(FOR DETAILS SEE FIG. 16) | BA,BE         | 1            |
| -860S        | 315T4013-5053 |                     | .COLLECTOR ASSY-LIMITED PART<br>(FOR DETAILS SEE FIG. 16) | BA,BE         | 1            |
| -860T        | 315T4013-5061 |                     | .COLLECTOR ASSY-LIMITED PART<br>(FOR DETAILS SEE FIG. 16) | BA,BE         | 1            |
| -860U        | 315T4013-5063 |                     | .COLLECTOR ASSY-LIMITED PART<br>(FOR DETAILS SEE FIG. 16) | BP            | 1            |
| -860V        | 315T4013-5065 |                     | .COLLECTOR ASSY-LIMITED PART<br>(FOR DETAILS SEE FIG. 16) | BB,BF         | 1            |
| -860W        | 315T4013-5067 |                     | .COLLECTOR ASSY-LIMITED PART<br>(FOR DETAILS SEE FIG. 16) | BN            | 1            |

**71-11-56**

ILLUSTRATED PARTS LIST  
01.1 Page 1032S  
Nov 01/04

| FIG. & ITEM  | PART NO.      | AIRLINE PART NUMBER | NOMENCLATURE<br>1234567   | EFF CODE | QTY PER ASSY |
|--------------|---------------|---------------------|---|----------|--------------|
| 01-<br>-860X | 315T4013-5069 |                     | .COLLECTOR ASSY-LIMITED<br>PART<br>(FOR DETAILS SEE<br>FIG. 16) | BP       | 1            |
| -860Y        | 315T4013-5071 |                     | .COLLECTOR ASSY-LIMITED<br>PART<br>(FOR DETAILS SEE<br>FIG. 16) | BN       | 1            |
| -860Z        | 315T4013-5075 |                     | .COLLECTOR ASSY-LIMITED<br>PART<br>(FOR DETAILS SEE<br>FIG. 16) | BP       | 1            |
| -861         | 315T4013-5083 |                     | .COLLECTOR ASSY-LIMITED<br>PART<br>(FOR DETAILS SEE<br>FIG. 16) | BK       | 1            |
| -861A        | 315T4013-5085 |                     | .COLLECTOR ASSY-LIMITED<br>PART<br>(FOR DETAILS SEE<br>FIG. 16) | BJ       | 1            |
| -861B        | 315T4013-5087 |                     | .COLLECTOR ASSY-LIMITED<br>PART<br>(FOR DETAILS SEE<br>FIG. 16) | BK       | 1            |
| -861C        | 315T4013-5089 |                     | .COLLECTOR ASSY-LIMITED<br>PART<br>(FOR DETAILS SEE<br>FIG. 16) | BS       | 1            |
| -861D        | 315T4013-5091 |                     | .COLLECTOR ASSY-LIMITED<br>PART<br>(FOR DETAILS SEE<br>FIG. 16) | BS       | 1            |
| -861E        | 315T4013-5095 |                     | .COLLECTOR ASSY-LIMITED<br>PART<br>(FOR DETAILS SEE<br>FIG. 16) | BT       | 1            |
| -861F        | 315T4013-5097 |                     | .COLLECTOR ASSY-LIMITED<br>PART<br>(FOR DETAILS SEE<br>FIG. 16) | BT       | 1            |
| -861G        | 315T4013-5073 |                     | .COLLECTOR ASSY-LIMITED<br>PART<br>(FOR DETAILS SEE<br>FIG. 16) | BW       | 1            |

# 71-11-56

 ILLUSTRATED PARTS LIST  
 01.1 Page 1032T  
 Nov 01/04

 **BOEING**  
COMPONENT  
MAINTENANCE MANUAL

| FIG. & ITEM  | PART NO.                  | AIRLINE PART NUMBER | NOMENCLATURE<br>1234567  | EFF CODE       | QTY PER ASSY |
|--------------|---------------------------|---------------------|--|----------------|--------------|
| 01-<br>-861H | 315T4013-5079             |                     | .COLLECTOR ASSY-LIMITED<br>PART<br>(FOR DETAILS SEE<br>FIG. 16)            | BW             | 1            |
| -861J        | 315T4013-5093             |                     | .COLLECTOR ASSY-LIMITED<br>PART<br>(FOR DETAILS SEE<br>FIG. 16)            | BW             | 1            |
| -861K        | 315T4013-5077             |                     | .COLLECTOR ASSY-LIMITED<br>PART<br>(FOR DETAILS SEE<br>FIG. 16)            | BX             | 1            |
| -861L        | 315T4013-5081             |                     | .COLLECTOR ASSY-LIMITED<br>PART<br>(FOR DETAILS SEE<br>FIG. 16)            | BX             | 1            |
| -861M        | 315T4013-5099             |                     | .COLLECTOR ASSY-LIMITED<br>PART<br>(FOR DETAILS SEE<br>FIG. 16)            | BX             | 1            |
| 862<br>-862A | H10-3BAC<br>315T4013-5005 |                     | DELETED<br>.COLLECTOR ASSY-LIMITED<br>PART<br>(FOR DETAILS SEE<br>FIG. 16) | X,AD,<br>AX,AZ | 1            |
| -862B        | 315T4013-5006             |                     | .COLLECTOR ASSY-LIMITED<br>PART<br>(FOR DETAILS SEE<br>FIG. 16)            | X,AD,<br>AX,AZ | 1            |
| -862C        | 315T4013-5009             |                     | .COLLECTOR ASSY-LIMITED<br>PART<br>(FOR DETAILS SEE<br>FIG. 16)            | W,AC           | 1            |
| -862D        | 315T4013-5010             |                     | .COLLECTOR ASSY-LIMITED<br>PART<br>(FOR DETAILS SEE<br>FIG. 16)            | W,AC           | 1            |
| -862E        | 315T4013-5016             |                     | .COLLECTOR ASSY-LIMITED<br>PART<br>(FOR DETAILS SEE<br>FIG. 16)            | R,U,A<br>X,AZ  | 1            |
| -862F        | 315T4013-5018             |                     | .COLLECTOR ASSY-LIMITED<br>PART<br>(FOR DETAILS SEE<br>FIG. 16)            | R,U,A<br>X,AZ  | 1            |

71-11-56

ILLUSTRATED PARTS LIST  
01.1 Page 1032U  
Nov 01/04

| FIG. & ITEM  | PART NO.      | AIRLINE PART NUMBER | NOMENCLATURE<br>1234567   | EFF CODE            | QTY PER ASSY |
|--------------|---------------|---------------------|---|---------------------|--------------|
| 01-<br>-862G | 315T4013-5020 |                     | .COLLECTOR ASSY-LIMITED<br>PART<br>(FOR DETAILS SEE<br>FIG. 16) | W,AC                | 1            |
| -862H        | 315T4013-5013 |                     | .COLLECTOR ASSY-LIMITED<br>PART<br>(FOR DETAILS SEE<br>FIG. 16) | AS,AU<br>,AX,A<br>Z | 1            |
| -862J        | 315T4013-5014 |                     | .COLLECTOR ASSY-LIMITED<br>PART<br>(FOR DETAILS SEE<br>FIG. 16) | AS,AU<br>,AX,A<br>Z | 1            |
| -862K        | 315T4013-5024 |                     | .COLLECTOR ASSY-LIMITED<br>PART<br>(FOR DETAILS SEE<br>FIG. 16) | W,AC                | 1            |
| -862L        | 315T4013-5026 |                     | .COLLECTOR ASSY-LIMITED<br>PART<br>(FOR DETAILS SEE<br>FIG. 16) | X,AD,<br>AX,AZ      | 1            |
| -862M        | 315T4013-5028 |                     | .COLLECTOR ASSY-LIMITED<br>PART<br>(FOR DETAILS SEE<br>FIG. 16) | BC,BG               | 1            |
| -862N        | 315T4013-5030 |                     | .COLLECTOR ASSY-LIMITED<br>PART<br>(FOR DETAILS SEE<br>FIG. 16) | X,AD,<br>AX,AZ      | 1            |
| -862P        | 315T4013-5032 |                     | .COLLECTOR ASSY-LIMITED<br>PART<br>(FOR DETAILS SEE<br>FIG. 16) | BC,BG               | 1            |
| -862Q        | 315T4013-5036 |                     | .COLLECTOR ASSY-LIMITED<br>PART<br>(FOR DETAILS SEE<br>FIG. 16) | BC,BG               | 1            |
| -862R        | 315T4013-5038 |                     | DELETED   |                     |              |
| -862S        | 315T4013-5040 |                     | .COLLECTOR ASSY-LIMITED<br>PART<br>(FOR DETAILS SEE<br>FIG. 16) | BC,BG               | 1            |
| -862T        | 315T4013-5049 |                     | .COLLECTOR ASSY-LIMITED<br>PART<br>(FOR DETAILS SEE<br>FIG. 16) | BD,BH               | 1            |

# 71-11-56

 ILLUSTRATED PARTS LIST  
 01.1 Page 1032V  
 Nov 01/04

 **BOEING**  
COMPONENT  
MAINTENANCE MANUAL

| FIG. & ITEM  | PART NO.      | AIRLINE PART NUMBER | NOMENCLATURE<br>1234567                                   | EFF CODE | QTY PER ASSY |
|--------------|---------------|---------------------|---|----------|--------------|
| 01-<br>-862U | 315T4013-5050 |                     | .COLLECTOR ASSY-LIMITED PART<br>(FOR DETAILS SEE FIG. 16) | BD,BH    | 1            |
| -862V        | 315T4013-5052 |                     | .COLLECTOR ASSY-LIMITED PART<br>(FOR DETAILS SEE FIG. 16) | BC,BG    | 1            |
| -862W        | 315T4013-5054 |                     | .COLLECTOR ASSY-LIMITED PART<br>(FOR DETAILS SEE FIG. 16) | BC,BG    | 1            |
| -862X        | 315T4013-5034 |                     | .COLLECTOR ASSY-LIMITED PART<br>(FOR DETAILS SEE FIG. 16) | X,AD     | 1            |
| -862Y        | 315T4013-5062 |                     | .COLLECTOR ASSY-LIMITED PART<br>(FOR DETAILS SEE FIG. 16) | BC,BG    | 1            |
| -862Z        | 315T4013-5064 |                     | .COLLECTOR ASSY-LIMITED PART<br>(FOR DETAILS SEE FIG. 16) | BM       | 1            |
| -863         | 315T3126-35   |                     | DELETED   |          |              |
| -863A        | 315T3126-37   |                     | DELETED   |          |              |
| -863B        | 315T4013-5068 |                     | .COLLECTOR ASSY-LIMITED PART<br>(FOR DETAILS SEE FIG. 16) | BL       | 1            |
| -863C        | 315T4013-5070 |                     | .COLLECTOR ASSY-LIMITED PART<br>(FOR DETAILS SEE FIG. 16) | BM       | 1            |
| -863D        | 315T4013-5072 |                     | .COLLECTOR ASSY-LIMITED PART<br>(FOR DETAILS SEE FIG. 16) | BL       | 1            |
| -863E        | 315T4013-5076 |                     | .COLLECTOR ASSY-LIMITED PART<br>(FOR DETAILS SEE FIG. 16) | BM       | 1            |

71-11-56

ILLUSTRATED PARTS LIST  
01.1 Page 1032W  
Nov 01/04

| FIG. & ITEM  | PART NO.      | AIRLINE PART NUMBER | NOMENCLATURE<br>1234567   | EFF CODE | QTY PER ASSY |
|--------------|---------------|---------------------|---|----------|--------------|
| 01-<br>-863F | 315T4013-5084 |                     | .COLLECTOR ASSY-LIMITED<br>PART<br>(FOR DETAILS SEE<br>FIG. 16) | BR       | 1            |
| -863G        | 315T4013-5086 |                     | .COLLECTOR ASSY-LIMITED<br>PART<br>(FOR DETAILS SEE<br>FIG. 16) | BQ       | 1            |
| -863H        | 315T4013-5088 |                     | .COLLECTOR ASSY-LIMITED<br>PART<br>(FOR DETAILS SEE<br>FIG. 16) | BR       | 1            |
| -863J        | 315T4013-5074 |                     | .COLLECTOR ASSY-LIMITED<br>PART<br>(FOR DETAILS SEE<br>FIG. 16) | BU       | 1            |
| -863K        | 315T4013-5080 |                     | .COLLECTOR ASSY-LIMITED<br>PART<br>(FOR DETAILS SEE<br>FIG. 16) | BU       | 1            |
| -863L        | 315T4013-5090 |                     | .COLLECTOR ASSY-LIMITED<br>PART<br>(FOR DETAIL SEE<br>FIG. 16)  | BU       | 1            |
| -863M        | 315T4013-5078 |                     | .COLLECTOR ASSY-LIMITED<br>PART<br>(FOR DETAILS SEE<br>FIG. 16) | BV       | 1            |
| -863N        | 315T4013-5082 |                     | .COLLECTOR ASSY-LIMITED<br>PART<br>(FOR DETAILS SEE<br>FIG. 16) | BV       | 1            |
| -863P        | 315T4013-5096 |                     | .COLLECTOR ASSY-LIMITED<br>PART<br>(FOR DETAILS SEE<br>FIG. 16) | BV       | 1            |
| -863Q        | 315T4013-5092 |                     | .COLLECTOR ASSY-LIMITED<br>PART<br>(FOR DETAILS SEE<br>FIG. 16) | BY       | 1            |
| -863R        | 315T3126-35   |                     | DELETED   |          |              |
| -863S        | 315T3126-37   |                     | DELETED   |          |              |
| -863T        | 315T3126-37   |                     | DELETED   |          |              |

# 71-11-56

 ILLUSTRATED PARTS LIST  
 01.1 Page 1032X  
 Nov 01/04



**BOEING**  
COMPONENT  
MAINTENANCE MANUAL

| FIG. & ITEM  | PART NO.      | AIRLINE PART NUMBER | NOMENCLATURE<br>1234567  | EFF CODE            | QTY PER ASSY |
|--------------|---------------|---------------------|--|---------------------|--------------|
| 01-<br>-863U | 315T4013-5094 |                     | .COLLECTOR ASSY-LIMITED PART<br>(FOR DETAILS SEE FIG. 16)  | BY                  | 1            |
| -863V        | 315T4013-5098 |                     | .COLLECTOR ASSY-LIMITED PART<br>(FOR DETAILS SEE FIG. 16)  | BZ                  | 1            |
| -863W        | 315T4013-5100 |                     | .COLLECTOR ASSY-LIMITED PART<br>(FOR DETAILS SEE FIG. 16)  | BZ                  | 1            |
| 864          | 60B90602-2    |                     | DELETED  |                     |              |
| 864A         | 315T3202-149  |                     | DELETED  |                     |              |
| -864B        | 315T3202-179  |                     | DELETED  |                     |              |
| -864C        | 315T3202-233  |                     | DELETED  |                     |              |
| -864D        | 315T3202-235  |                     | DELETED  |                     |              |
| -864R        | 315T3126-35   |                     | DELETED  |                     |              |
| -864S        | 315T3126-37   |                     | DELETED  |                     |              |
| -864T        | 315T3126-37   |                     | DELETED  |                     |              |
| 865          | 315T3318-197  |                     | DELETED  |                     |              |
| -865A        | 315T3318-231  |                     | DELETED  |                     |              |
| -865N        | 315T3318-198  |                     | DELETED  |                     |              |
| -865P        | 315T3318-232  |                     | DELETED  |                     |              |
| 866          | HL505-6-18    |                     | DELETED  |                     |              |
| -866A        | 315T3202-150  |                     | DELETED  |                     |              |
| -866B        | 315T3202-180  |                     | DELETED  |                     |              |
| -866C        | 315T3202-234  |                     | DELETED  |                     |              |
| -866D        | 315T3202-236  |                     | DELETED  |                     |              |
| 866H         | 315U4305-1    |                     | DELETED  |                     |              |
| -866S        | 315U4305-2    |                     | DELETED  |                     |              |
| 867          | 315T4300-11   |                     | DELETED  |                     |              |
| -867A        | 315T4300-19   |                     | DELETED  |                     |              |
| -867N        | 315T4300-12   |                     | ..BIFURCATION INSTL-UPR<br>(USED ON ITEMS 862P,<br>862Q, 862V, 862W)<br>(FOR DETAILS SEE FIG. 5) | BC,BD<br>,BG,B<br>H | 1            |
| -867P        | 315T4300-20   |                     | DELETED  |                     |              |
| 868          | HL77-6        |                     | DELETED  |                     |              |
| 868A         | 315T4006-5    |                     | DELETED  |                     |              |
| -868B        | 315T4006-9    |                     | DELETED  |                     |              |
| -868C        | 315T4006-11   |                     | DELETED  |                     |              |
| 868N         | 315T4409-14   |                     | DELETED  |                     |              |
| -868P        | 315T4409-16   |                     | DELETED  |                     |              |
| -868Q        | 315T4409-22   |                     | DELETED  |                     |              |

71-11-56

ILLUSTRATED PARTS LIST  
01.1 Page 1032Y  
Nov 01/04

| FIG. & ITEM | PART NO.      | AIRLINE PART NUMBER | NOMENCLATURE<br>1234567       | EFF CODE  | QTY PER ASSY |
|-------------|---------------|---------------------|-------------------------------|---|--------------|
| 01-         |               |                     |                               |   |              |
| -868R       | 315T4409-23   |                     | DELETED                       |   |              |
| 870         | 315T3122-3    |                     | DELETED                       |   |              |
| -870A       | 315T4006-6    |                     | DELETED                       |   |              |
| -870B       | 315T4006-10   |                     | DELETED                       |   |              |
| -870C       | 315T4006-12   |                     | DELETED                       |   |              |
| 871         | 315T4013-87   |                     | DELETED                       |   |              |
| -871A       | 315T4013-55   |                     | DELETED                       |   |              |
| -871B       | 315T4013-93   |                     | DELETED                       |   |              |
| 872         | 315T4121-1    |                     | DELETED                       |   |              |
| 872G        | MS21042L5     |                     | DELETED                       |   |              |
| 873         | 315T3204-11   |                     | DELETED                       |   |              |
| -873A       | 315T3204-15   |                     | DELETED                       |   |              |
| -874        | 315T3204-12   |                     | DELETED                       |   |              |
| -874A       | 315T3204-16   |                     | DELETED                       |   |              |
| -874H       | 315T3204-5011 |                     | DELETED                       |   |              |
| -874J       | 315T3204-5013 |                     | DELETED                       |   |              |
| -874R       | 315T3204-5012 |                     | DELETED                       |   |              |
| -874S       | 315T3204-5014 |                     | DELETED                       |   |              |
| 875         | 315U4100-1    |                     | .WALL ASSY-INNER              | A-D, J<br>,K, M,<br>N, AE,<br>AF, AJ<br>,AK   | 1            |
| -875A       | 315U4100-17   |                     | .WALL ASSY-INNER              | L, V, Y<br>,Z, A<br>N-AR,<br>BA, BB<br>,BE, B<br>F<br>BJ, BK<br>,BN, B<br>P, BS,<br>BT, BW<br>,BX | 1            |
| -875B       | 315U4100-1    |                     | .WALL ASSY-INNER<br>(LIMITED) | AW, AY  | 1            |
| -875C       | 315U4100-17   |                     | .WALL ASSY-INNER<br>(LIMITED) | AW, AY  | 1            |

# 71-11-56

 ILLUSTRATED PARTS LIST  
 01.1 Page 1032Z  
 Nov 01/04



| FIG. & ITEM | PART NO.    | AIRLINE PART NUMBER | NOMENCLATURE<br>1234567   | EFF CODE  | QTY PER ASSY |
|-------------|-------------|---------------------|---|---|--------------|
| 01-<br>-877 | 315U4100-14 |                     | .WALL ASSY-INNER  | E,F,H<br>,Q,R,<br>T,U,A<br>A,AG,<br>AL  | 1            |
| -877A       | 315U4100-18 |                     | .WALL ASSY-INNER  | W,X,A<br>C,AD,<br>AS-AV<br>,BC,B<br>D,BG<br>BH,BL<br>,BM,B<br>Q,BR,<br>BU,BV<br>,BY<br>BZ         | 1            |
| -877B       | 315U4100-14 |                     | .WALL ASSY-INNER<br>(LIMITED)                                       | AX,AZ   | 1            |
| -877C       | 315U4100-18 |                     | .WALL ASSY-INNER<br>(LIMITED)                                       | AX,AZ   | 1            |
| 879         | 315U4101-1  |                     | ..PANEL ASSY-ACOUSTIC<br>(USED ON ITEMS 875<br>875B)                | A-D,J<br>,K,M,<br>N,AE,<br>AF,AJ<br>,AK<br>AW,AY  | 1            |
| -879A       | 315U4101-81 |                     | ..PANEL ASSY-ACOUSTIC<br>(LIMITED)<br>(USED ON ITEMS 875A,<br>875C) | L,V,Y<br>,Z,A<br>N-AR,<br>AW,AY<br>,BA,B<br>B<br>BE,BF<br>,BJ,B<br>K,BN,<br>BP,BS<br>,BT<br>BW,BX | 1            |

71-11-56

ILLUSTRATED PARTS LIST  
01.1 Page 1033  
Nov 01/04

| FIG. & ITEM  | PART NO.     | AIRLINE PART NUMBER | NOMENCLATURE<br>1234567   | EFF CODE  | QTY PER ASSY |
|--------------|--------------|---------------------|---|---|--------------|
| 01-<br>-879B | 315U4101-95  |                     | ..PANEL ASSY-ACOUSTIC<br>(LIMITED)<br>(USED ON ITEMS 875A,<br>875C) | L,V,Y<br>,Z,A<br>N-AR,<br>AW,AY<br>,BA,B<br>B<br>BE,BF<br>,BJ,B<br>K,BN,<br>BP,BS<br>,BT<br>BW,BX | 1            |
| -879C        | 315U4101-103 |                     | ..PANEL ASSY-ACOUSTIC<br>(LIMITED)<br>(USED ON ITEMS 875A,<br>875C) | L,V,Y<br>,Z,A<br>N-AR,<br>AW,AY<br>,BA,B<br>B<br>BE,BF<br>,BJ,B<br>K,BN,<br>BP,BS<br>,BT<br>BW,BX | 1            |
| -879D        | 315U4101-115 |                     | ..PANEL ASSY-ACOUSTIC<br>(LIMITED)<br>(USED ON ITEMS 875A,<br>875C) | L,V,Y<br>,Z,A<br>N-AR,<br>AW,AY<br>,BA,B<br>B<br>BE,BF<br>,BJ,B<br>K,BN,<br>BP,BS<br>,BT<br>BW,BX | 1            |

# 71-11-56

 ILLUSTRATED PARTS LIST  
 01.1 Page 1034  
 Nov 01/04

 **BOEING**  
COMPONENT  
MAINTENANCE MANUAL

| FIG. & ITEM  | PART NO.     | AIRLINE PART NUMBER | NOMENCLATURE<br>1234567   | EFF CODE  | QTY PER ASSY |
|--------------|--------------|---------------------|---|---|--------------|
| 01-<br>-879E | 315U4101-117 |                     | ..PANEL ASSY-ACOUSTIC<br>(LIMITED)<br>(USED ON ITEMS 875A,<br>875C) | L,X,Y<br>,Z,A<br>N-AR,<br>AW,AY<br>,BA,B<br>B<br>BE,BF<br>,BJ,B<br>K,BN,<br>BP,BS<br>,BT<br>BW,BX   | 1            |
| -881         | 315U4101-79  |                     | ..PANEL ASSY-ACOUSTIC<br>(USED ON ITEMS 877,<br>877B)               | E,F,H<br>,Q,R,<br>T,U,A<br>A,AG,<br>AH,AL<br>AM,AX<br>,AZ   | 1            |
| -881A        | 315U4101-80  |                     | ..PANEL ASSY-ACOUSTIC<br>(LIMITED)<br>(USED ON ITEMS 877A,<br>877C) | W,X,A<br>C,AD,<br>AS-AV<br>,AX,A<br>Z,BC<br>BD,BG<br>,BH,B<br>L,BM,<br>BQ,BR<br>,BU<br>BV,BY<br>,BZ | 1            |

71-11-56

ILLUSTRATED PARTS LIST  
01.1 Page 1034A  
Nov 01/04

| FIG. & ITEM  | PART NO.     | AIRLINE PART NUMBER | NOMENCLATURE<br>1234567   | EFF CODE  | QTY PER ASSY |
|--------------|--------------|---------------------|---|---|--------------|
| 01-<br>-881B | 315U4101-94  |                     | ..PANEL ASSY-ACOUSTIC<br>(LIMITED)<br>(USED ON ITEMS 877A,<br>877C) | W,X,A<br>C,AD,<br>AS-AV<br>,AX,A<br>Z,BC<br>BD,BG<br>,BH,B<br>L,BM,<br>BQ,BR<br>,BU<br>BV,BY<br>,BZ | 1            |
| -881C        | 315U4101-104 |                     | ..PANEL ASSY-ACOUSTIC<br>(LIMITED)<br>(USED ON ITEMS 877A,<br>877C) | W,X,A<br>C,AD,<br>AS-AV<br>,AX,A<br>Z,BC<br>BD,BG<br>,BH,B<br>L,BM,<br>BQ,BR<br>,BU<br>BV,BY<br>,BZ | 1            |
| -881D        | 315U4101-116 |                     | ..PANEL ASSY-ACOUSTIC<br>(LIMITED)<br>(USED ON ITEMS 877A,<br>877C) | W,X,A<br>C,AD,<br>AS-AV<br>,AX,A<br>Z,BC<br>BD,BG<br>,BH,B<br>L,BM,<br>BQ,BR<br>,BU<br>BV,BY<br>,BZ | 1            |

# 71-11-56

 ILLUSTRATED PARTS LIST  
 01.1 Page 1034B  
 Nov 01/04

| FIG. & ITEM  | PART NO.                  | AIRLINE PART NUMBER | NOMENCLATURE   | EFF CODE  | QTY PER ASSY |
|--------------|---------------------------|---------------------|--|---|--------------|
| 01-<br>-881E | 315U4101-118              |                     | 1234567<br>..PANEL ASSY-ACOUSTIC<br>(LIMITED)<br>(USED ON ITEMS 877A,<br>877C) | W,X,A<br>C,AD,<br>AS-AV<br>,AX,A<br>Z,BC<br>BD,BG<br>,BH,B<br>L,BM,<br>BQ,BR<br>,BU<br>BV,BY<br>,BZ                                 | 1            |
| 882          | BACR15CE4D                |                     | ..RIVET-<br>(SIZE DETERMINE ON INST)   | A-F,<br>H-N,Q<br>,R,<br>T-AA,<br>AC-BZ  | 91           |
| 884<br>885   | BACB30VF4K4<br>315T4100-3 |                     | DELETED<br>..STRIP-RUB   | A-D,<br>J-N,V<br>,Y,Z,<br>AE,AF<br>,AJ,A<br>K<br>AN-AR<br>,AW,A<br>Y,BA,<br>BB,BE<br>,BF<br>BJ,BK<br>,BN,B<br>P,BS,<br>BT,BW<br>,BX | 1            |

71-11-56

| FIG. & ITEM | PART NO.                  | AIRLINE PART NUMBER | NOMENCLATURE<br>1234567 | EFF CODE  | QTY PER ASSY |
|-------------|---------------------------|---------------------|-------------------------|---|--------------|
| 01-<br>-886 | 315T4100-4                |                     | ..STRIP-RUB             | E,F,H<br>,Q,R,<br>T,U,W<br>,X,AA<br>,AC<br>AD,AG<br>,AH,A<br>L,AM,<br>AS-AV<br>,AX<br>AZ,BC<br>,BD,B<br>G,BH,<br>BL,BM<br>,BQ<br>BR,BU<br>,BV,B<br>Y,BZ | 1            |
| 887<br>888  | BACR15CE3KE<br>315T4100-5 |                     | DELETED<br>..STRIP-RUB  | A-D,<br>J-N,V<br>,Y,Z,<br>AE,AF<br>,AJ,A<br>K<br>AN-AR<br>,AW,A<br>Y,BA,<br>BB,BE<br>,BF<br>BJ,BK<br>,BN,B<br>P,BS,                                     | 1            |

# 71-11-56

 ILLUSTRATED PARTS LIST  
 01.1 Page 1034D  
 Nov 01/04

 **BOEING**  
COMPONENT  
MAINTENANCE MANUAL

| FIG. & ITEM | PART NO.                   | AIRLINE PART NUMBER | NOMENCLATURE<br>1234567                                   | EFF CODE  | QTY PER ASSY |
|-------------|----------------------------|---------------------|---|---|--------------|
| 01-<br>-889 | 315T4100-9                 |                     | ..STRIP-RUB   | E, F, H<br>, Q, R,<br>T, U, W<br>, X, AA<br>, AC<br>AD, AG<br>, AH, A<br>L, AM,<br>AS-AV<br>, AX<br>AZ, BC<br>, BD, B<br>G, BH,<br>BL, BM<br>, BQ<br>BR, BU<br>, BV, B<br>Y, BZ | 1            |
| 890<br>891  | NS103190-048<br>315T4100-7 |                     | DELETED<br>..STRIP-RUB<br>(USED ON ITEMS 875,<br>875B)    | A-D, J<br>, K, M,<br>N, AE,<br>AF, AJ<br>, AK<br>AW, AY   | 1            |
| -891A       | 315T4100-7                 |                     | ..STRIP-RUB<br>(LIMITED)<br>(USED ON ITEMS 875A,<br>875C) | L, V, Y<br>, Z, A<br>N-AR,<br>AW, AY<br>, BA, B<br>B<br>BE, BF<br>, BJ, B<br>K, BN,<br>BP, BS<br>, BT<br>BW, BX   | 1            |

**71-11-56**

ILLUSTRATED PARTS LIST  
01.1 Page 1034E  
Nov 01/04

| FIG. & ITEM  | PART NO.    | AIRLINE PART NUMBER | NOMENCLATURE<br>1234567                                   | EFF CODE  | QTY PER ASSY |
|--------------|-------------|---------------------|---|---|--------------|
| 01-<br>-891B | 315T4100-11 |                     | ..STRIP-RUB<br>(LIMITED)<br>(USED ON ITEMS 875A,<br>875C) | L,V,Y<br>,Z,A<br>N-AR,<br>AW,AY<br>,BA,B<br>B<br>BE,BF<br>,BJ,B<br>K,BN,<br>BP,BS<br>,BT<br>BW,BX   | 1            |
| -892         | 315T4100-8  |                     | ..STRIP-RUB<br>(USED ON ITEMS 877,<br>877B)               | E,F,H<br>,Q,R,<br>T,U,A<br>A,AG,<br>AL,AX<br>AZ   | 1            |
| -892A        | 315T4100-8  |                     | ..STRIP-RUB<br>(LIMITED)<br>(USED ON ITEMS 877A,<br>877C) | W,X,A<br>C,AD,<br>AS-AV<br>,AX,A<br>Z,BC<br>BD,BG<br>,BH,B<br>L,BM,<br>BQ,BR<br>,BU<br>BV,BY<br>,BZ | 1            |
| -892B        | 315T4100-12 |                     | ..STRIP-RUB<br>(LIMITED)<br>(USED ON ITEMS 877A,<br>877C) | W,X,A<br>C,AD,<br>AS-AV<br>,AX,A<br>Z,BC<br>BD,BG<br>,BH,B<br>L,BM,<br>BQ,BR<br>,BU<br>BV,BY<br>,BZ | 1            |

# 71-11-56

 ILLUSTRATED PARTS LIST  
 01.1 Page 1034F  
 Nov 01/04



 **BOEING**  
COMPONENT  
MAINTENANCE MANUAL

| FIG. & ITEM       | PART NO.                   | AIRLINE PART NUMBER | NOMENCLATURE<br>1234567  | EFF CODE                                   | QTY PER ASSY |
|-------------------|----------------------------|---------------------|--|--|--------------|
| 01-<br>893<br>894 | NAS463XDD416<br>HL11VAZ6-4 |                     | DELETED<br>..BOLT-<br>(V60516)<br>(SPEC BACB30NW6K4)<br>(OPT HL11V6-4<br>(V92215))<br>(OPT HL11V6-4<br>(V97928))<br>(OPT L803-6-4<br>(V06725))<br>(OPT B30NW6K4<br>(V97928))<br>(OPT HL11VAZ6-4<br>(V73197))<br>(OPT HL11VAZ6-4<br>(V92215))<br>(OPT HL11VAZ6-4<br>(V56878)) | A-F,<br>H-N,<br>Q,<br>R,<br>T-AA,<br>AC-BZ | 6            |
| 895               | HL79-6                     |                     | ..COLLAR-<br>(V5M902)<br>(SPEC BACC30M6)<br>(OPT HL79-6<br>(V73197))<br>(OPT HL79-6<br>(V92215))<br>(OPT 66014-6<br>(V56878))<br>(OPT HL79-6<br>(V56878))  | A-F,<br>H-N,<br>Q,<br>R,<br>T-AA,<br>AC-BZ | 6            |

71-11-56

ILLUSTRATED PARTS LIST  
01.1 Page 1034G  
Nov 01/04

| FIG. & ITEM | PART NO.   | AIRLINE PART NUMBER | NOMENCLATURE<br>1234567  | EFF CODE   | QTY PER ASSY |
|-------------|------------|---------------------|--|--|--------------|
| 01-896      | 315T3554-2 |                     | ..CATCH-COWL   | A-F,<br>H-N,Q<br>,R,<br>T-AA,<br>AC-BZ                                   | 1            |
| 900         | ASFPD6-19  |                     | .PIN-<br>(V17446)<br>(ASFPD6-19,<br>ASFPD6-19 AND<br>ASFPD6-19 ARE<br>EQUIVALENT PART NUMBERS)   | A-F,<br>H-N,Q<br>,R,<br>T-AA,<br>AC-BZ                                   | 3            |
| 903         | 2ASPPD6    |                     | .SLEEVE-<br>(V17446)<br>(2ASPPD6, 2ASP-S-DT6<br>AND 2ASP-S-DT6 ARE<br>EQUIVALENT PART NUMBERS)   | A-F,<br>H-N,Q<br>,R,<br>T-AA,<br>AC-BZ                                   | 3            |
| 906         | ASPLC2AC6  |                     | .COLLAR-<br>(V17446)<br>(ASPLC2AC6, ASP-LC2AC6<br>AND ASP-LC2AC6 ARE<br>EQUIVALENT PART NUMBERS) | A-F,<br>H-N,Q<br>,R,<br>T-AA,<br>AC-BZ                                   | 3            |
| 909         | ASFPD6-19  |                     | .PIN-<br>(V17446)<br>(ASFPD6-19,<br>ASFPD6-19 AND<br>ASFPD6-19 ARE<br>EQUIVALENT PART NUMBERS)   | J-N,Q<br>,R,<br>T-Z,A<br>C-AE,<br>AG,AL<br>AN,AQ<br>,AS,A<br>U,A<br>W-BZ | 4            |

# 71-11-56

 ILLUSTRATED PARTS LIST  
 01.1 Page 1034H  
 Nov 01/04

 **BOEING**  
COMPONENT  
MAINTENANCE MANUAL

| FIG. & ITEM | PART NO.    | AIRLINE PART NUMBER | NOMENCLATURE<br>1234567  | EFF CODE   | QTY PER ASSY |
|-------------|-------------|---------------------|--|--|--------------|
| 01-912      | 2ASPPSDT6   |                     | . SLEEVE-<br>(V17446)<br>(2ASPPSDT6, 2ASP-S-DT6<br>AND 2ASP-S-DT06 ARE<br>EQUIVALENT PART NUMBERS) | J-N,Q<br>,R,<br>T-Z,A<br>C-AE,<br>AG,AL<br>AN,AQ<br>,AS,A<br>U,A<br>W-BZ | 4            |
| 915         | ASPLC2AC6   |                     | . COLLAR-<br>(V17446)<br>(ASPLC2AC6, ASP-LC2AC6<br>AND ASP-LC2AC06 ARE<br>EQUIVALENT PART NUMBERS) | J-N,Q<br>,R,<br>T-Z,A<br>C-AE,<br>AG,AL<br>AN,AQ<br>,AS,A<br>U,A<br>W-BZ | 4            |
| 918         | 315T4006-9  |                     | . ANGLE  | BA,BB<br>,BE,B<br>F  | 1            |
| -918A       | 315T4006-11 |                     | . ANGLE  | BK,BP<br>,BS,B<br>T,BX   | 1            |
| -921        | 315T4006-10 |                     | . ANGLE  | BC,BD<br>,BG,B<br>H  | 1            |
| -921A       | 315T4006-12 |                     | . ANGLE  | BM,BR<br>,BV,B<br>Y,BZ   | 1            |

71-11-56

ILLUSTRATED PARTS LIST  
01.1 Page 1034I  
Nov 01/04

| FIG. & ITEM | PART NO.    | AIRLINE PART NUMBER | NOMENCLATURE<br>1234567  | EFF CODE  | QTY PER ASSY |
|-------------|-------------|---------------------|--|---|--------------|
| 01-924      | 315T3204-15 |                     | .RING ASSY-<br>(PRE SB 747-78A2165)<br>(PRE SB 767-78A0080)<br>(PRE SB 767-78A0089)                                    | BA, BB<br>, BE, B<br>F, BJ,<br>BK, BN<br>, BP<br>BS, BT<br>, BW, B<br>X       | 1            |
| -924A       | 315T3204-11 |                     | .RING ASSY-<br>(PRE SB 747-78A2165)<br>(PRE SB 767-78A0080)<br>(PRE SB 767-78A0089)<br>(FOR DETAILS SEE<br>FIG. 13)    | L, Y  | 1            |
| -924B       | 315T3204-21 |                     | .RING ASSY-<br>(POST SB 747-78A2165)<br>(POST SB 767-78A0080)<br>(POST SB 767-78A0089)<br>(FOR DETAILS SEE<br>FIG. 13) | L, Y,<br>BA, BB<br>, BE, B<br>F, BJ,<br>BK, BN<br>BP, BS<br>, BT, B<br>W, BX  | 1            |
| -927        | 315T3204-16 |                     | .RING ASSY-<br>(PRE SB 747-78A2165)<br>(PRE SB 767-78A0080)<br>(PRE SB 767-78A0089)                                    | BC, BD<br>, BG, B<br>H, BL,<br>BM, BQ<br>, BR<br>BU, BV<br>, BY, B<br>Z       | 1            |
| -927A       | 315T3204-12 |                     | .RING ASSY-<br>(PRE SB 747-78A2165)<br>(PRE SB 767-78A0080)<br>(PRE SB 767-78A0089)<br>(FOR DETAILS SEE<br>FIG. 13)    | W, AC   | 1            |
| -927B       | 315T3204-22 |                     | .RING ASSY-<br>(POST SB 747-78A2165)<br>(POST SB 767-78A0080)<br>(POST SB 767-78A0089)<br>(FOR DETAILS SEE<br>FIG. 13) | W, AC,<br>BC, BD<br>, BG, B<br>H, BL,<br>BM, BQ<br>BR, BU<br>, BV, B<br>Y, BZ | 1            |

# 71-11-56

 ILLUSTRATED PARTS LIST  
 01.1 Page 1034J  
 Nov 01/04

 **BOEING**  
COMPONENT  
MAINTENANCE MANUAL

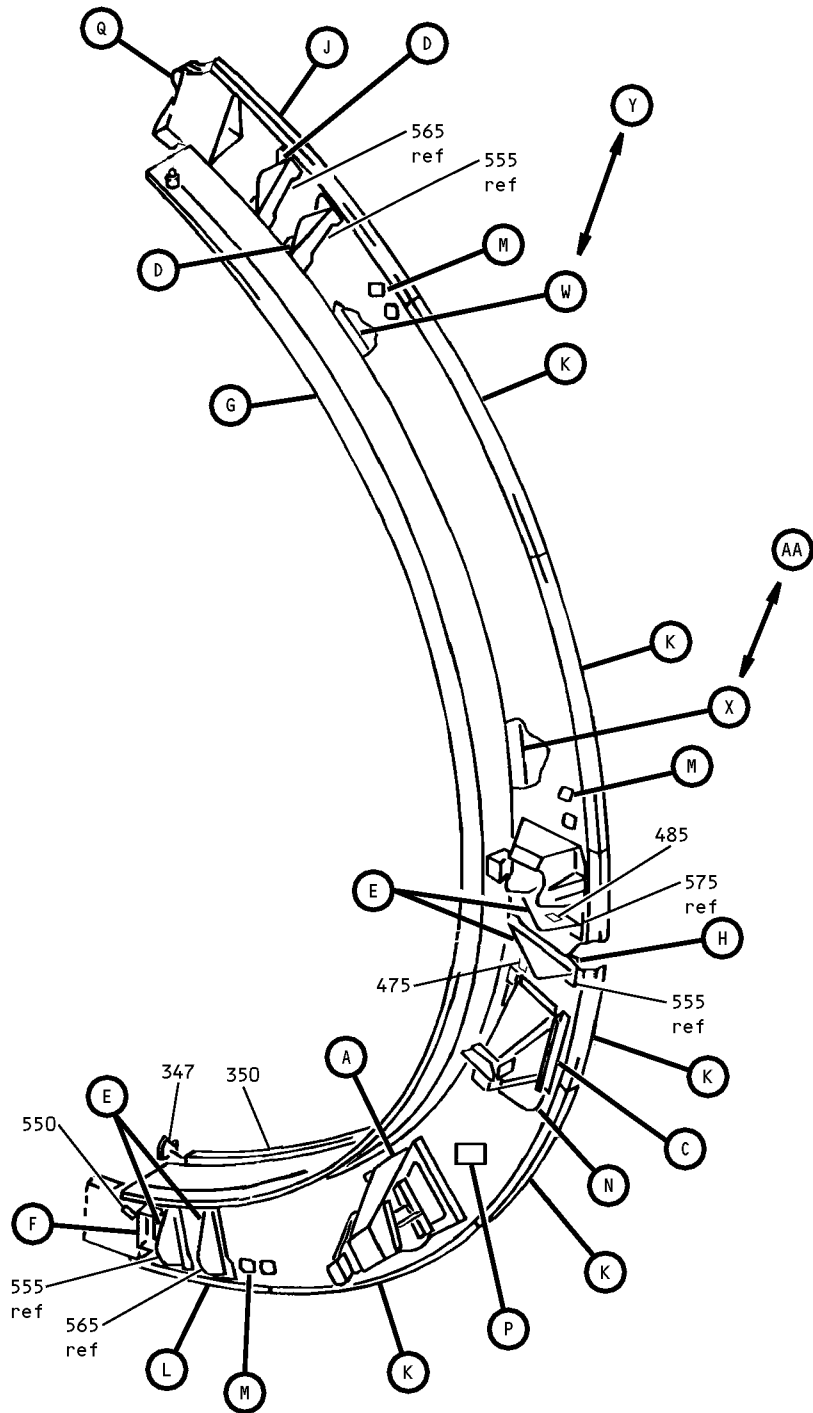
| FIG. & ITEM | PART NO.      | AIRLINE PART NUMBER | NOMENCLATURE<br>1234567  | EFF CODE   | QTY PER ASSY |
|-------------|---------------|---------------------|--|--|--------------|
| 01-<br>-930 | 315T3204-5011 |                     | ..RING ASSY-<br>(LIMITED)<br>(FOR DETAILS SEE FIG.<br>13)  | BA,BB<br>,BE,B<br>F,BJ,<br>BK,BN<br>,BP<br>BS,BT<br>,BW,B<br>X | 1            |
| -930A       | 315T3204-5013 |                     | ..RING ASSY-<br>(LIMITED)<br>(FOR DETAILS SEE FIG.<br>13)  | BA,BB<br>,BE,B<br>F,BL,<br>BM,BQ<br>,BR<br>BS,BT<br>,BW,B<br>X | 1            |
| -933        | 315T3204-5012 |                     | ..RING ASSY-<br>(LIMITED)<br>(FOR DETAILS SEE FIG.<br>13)  | BC,BD<br>,BG,B<br>H,BU,<br>BV,BY<br>,BZ                        | 1            |
| -933A       | 315T3204-5014 |                     | ..RING ASSY-<br>(LIMITED)<br>(FOR DETAILS SEE FIG.<br>13)<br><br>* 1! THERE IS NO EQUIVALENT<br>PART NUMBER FOR THE PART<br>CHANGED BY THE SERVICE<br>BULLETIN.<br>BOEING LETTER HISTORY | BC,BD<br>,BG,B<br>H,BU,<br>BV,BY<br>,BZ                        | 1            |

- Item Not Illustrated

\*[1] THERE IS NO EQUIVALENT PART NUMBER FOR THE PART CHANGED BY THE SERVICE BULLETIN.

**71-11-56**

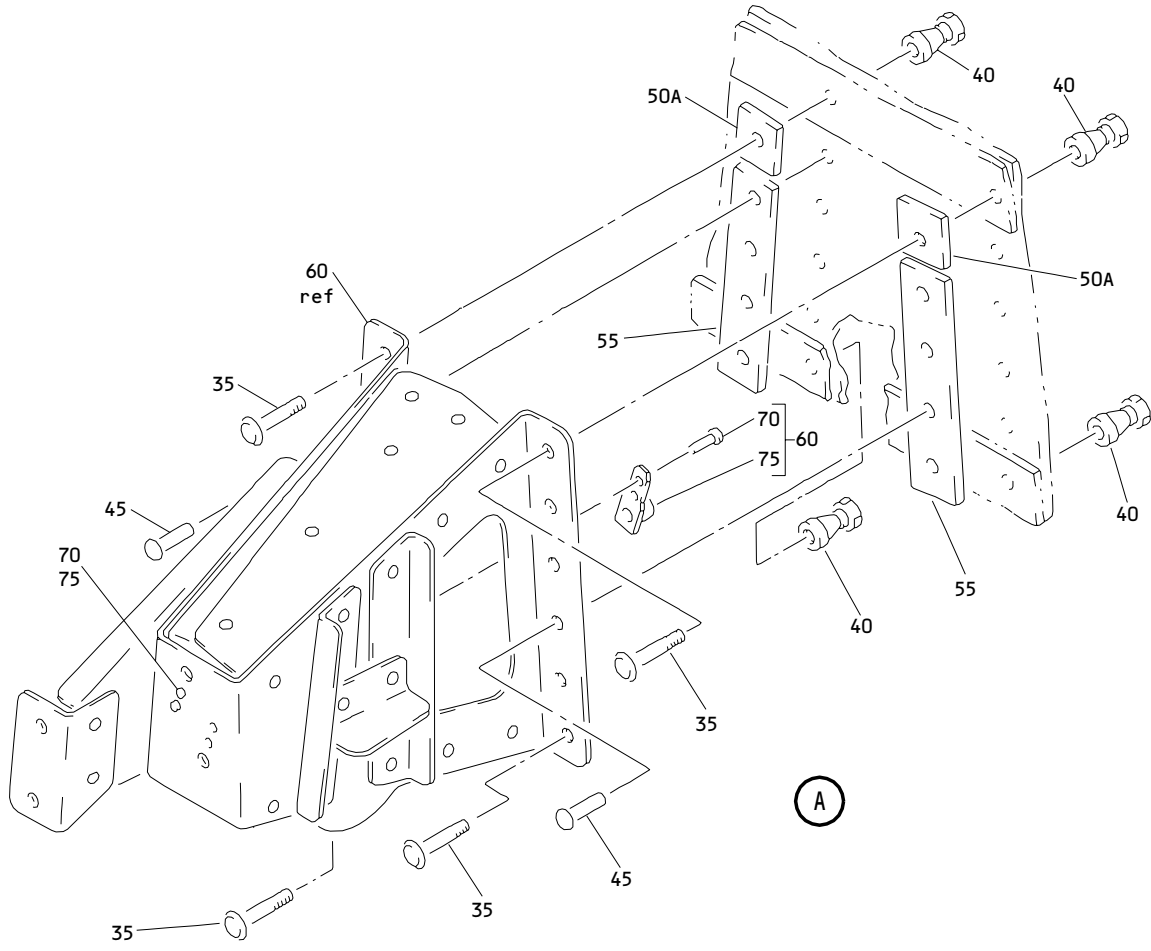
ILLUSTRATED PARTS LIST  
01.1 Page 1034K  
Nov 01/04



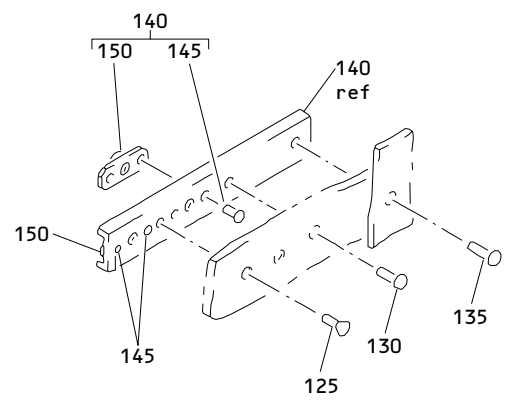
Box Installation - Cowl Reverser Torque  
 Figure 2 (Sheet 1)

**71-11-56**

ILLUSTRATED PARTS LIST  
 01.1 Page 1034L  
 Nov 01/04



(A)

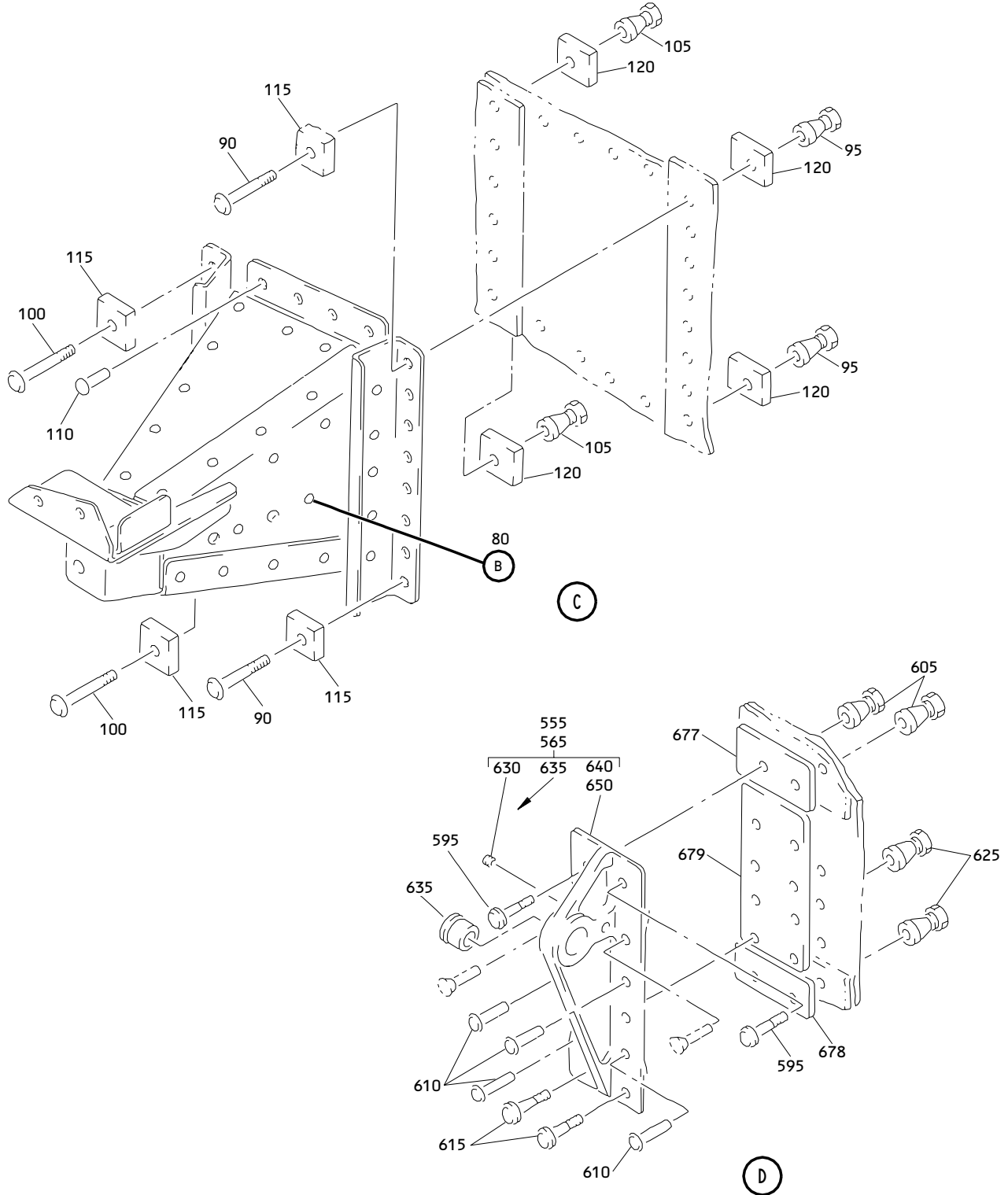


(B)

Box Instl - Cowl Reverser Torque  
Figure 2 (Sheet 2)

**71-11-56**

ILLUSTRATED PARTS LIST  
01.1 Page 1034M  
Nov 01/04

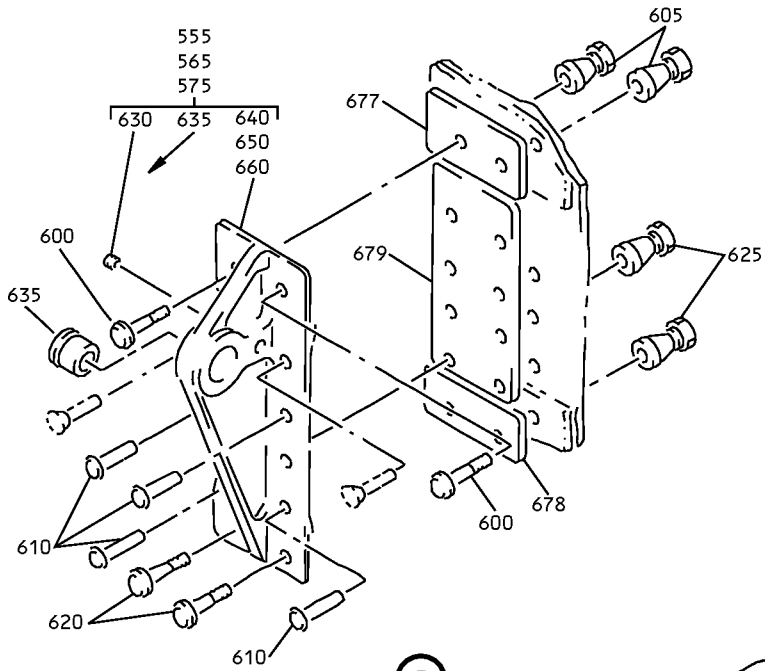


Box Instl - Cowl Reverser Torque  
 Figure 2 (Sheet 3)

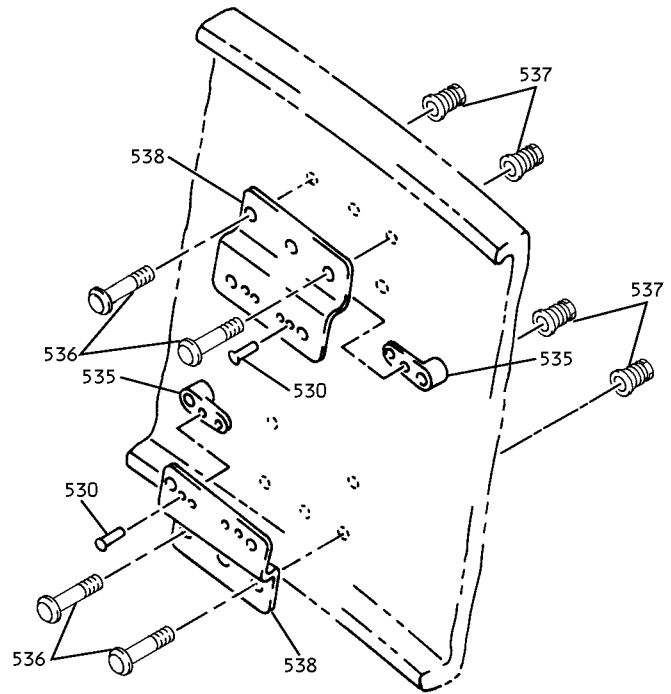
**71-11-56**

ILLUSTRATED PARTS LIST  
 01.1 Page 1034N  
 Nov 01/04





(E)

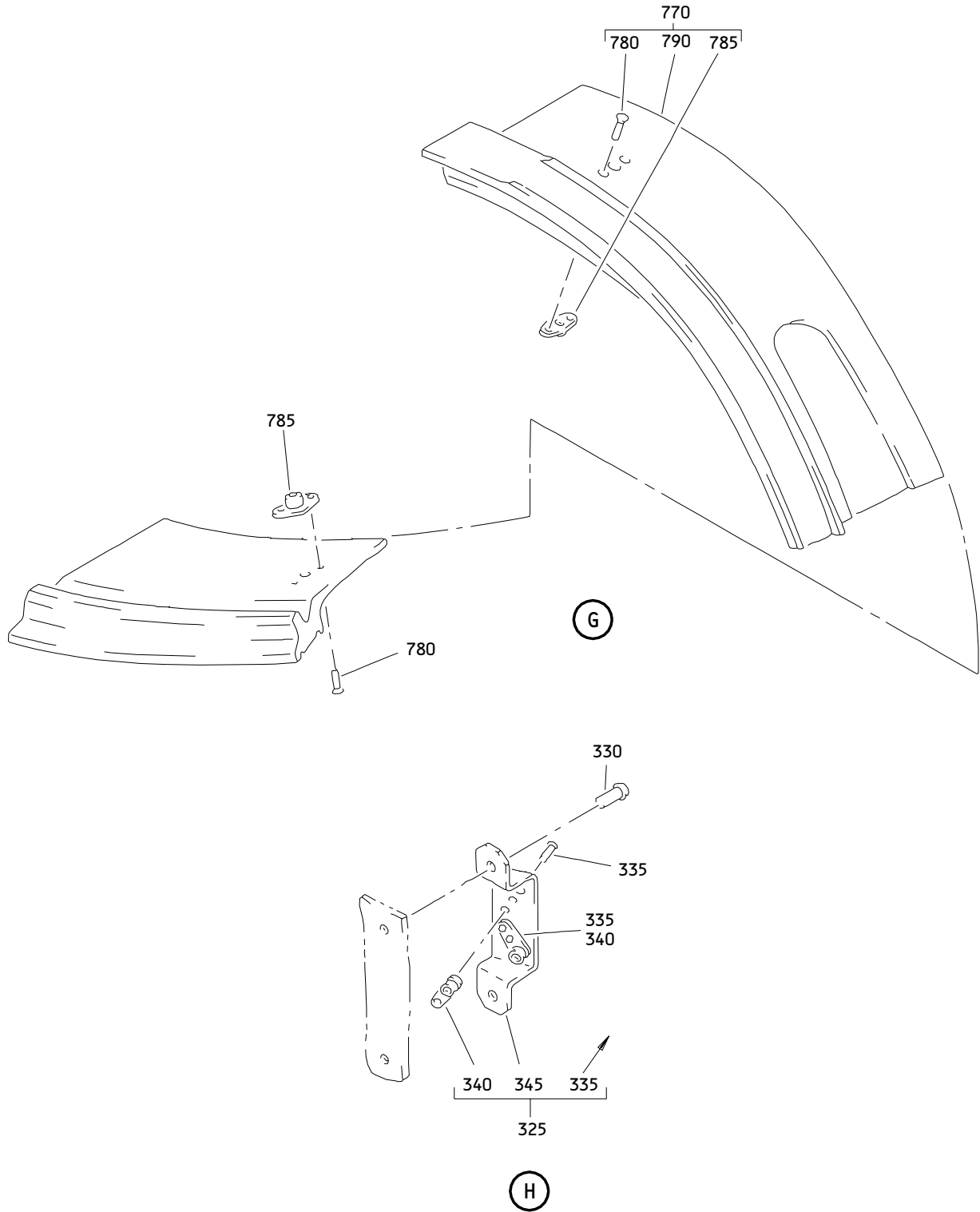


(F)

Box Instl - Cowl Reverser Torque  
Figure 2 (Sheet 4)

**71-11-56**

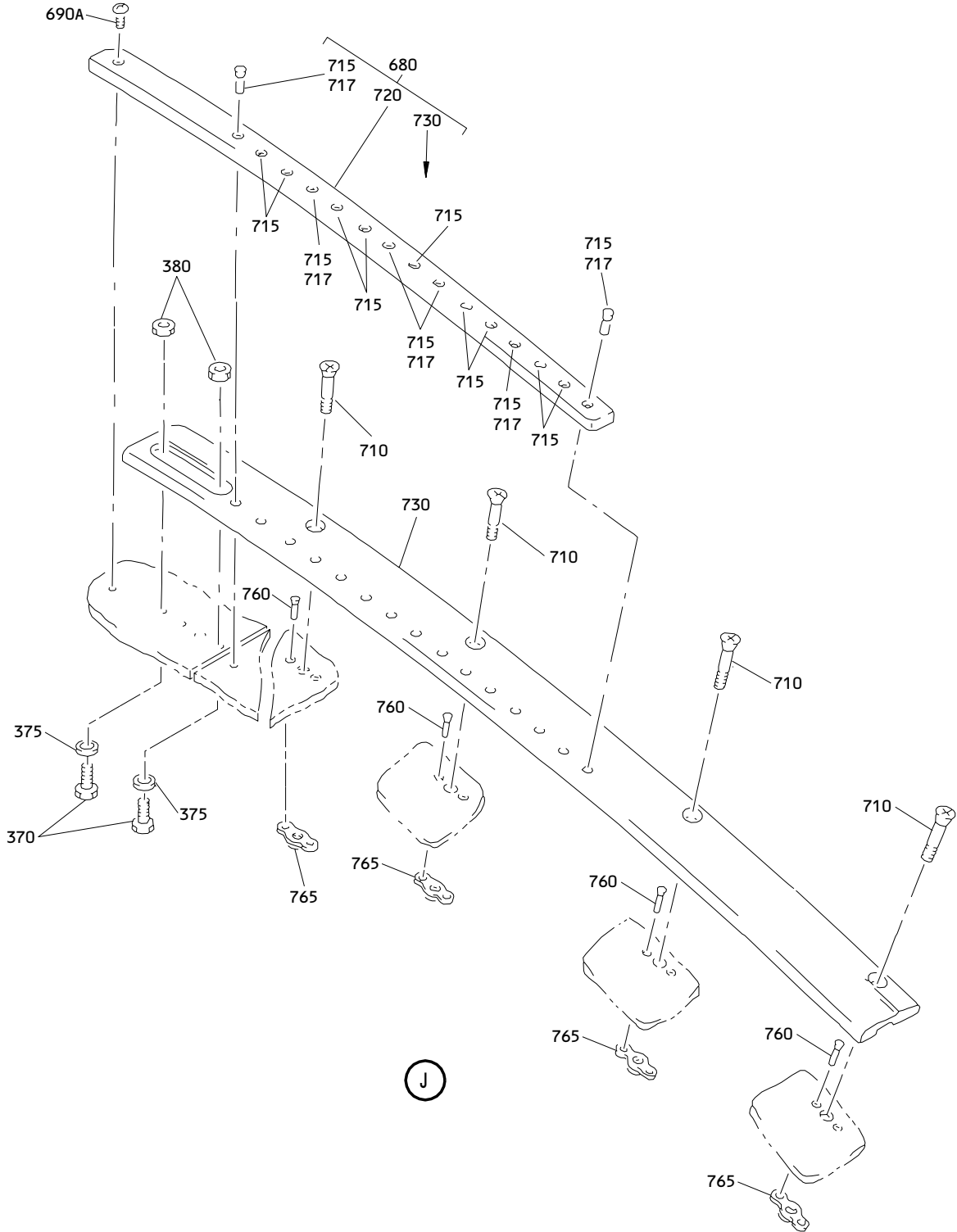
ILLUSTRATED PARTS LIST  
01.1 Page 10340  
Nov 01/04



Box Installation - Cowl Reverser Torque  
 Figure 2 (Sheet 5)

**71-11-56**

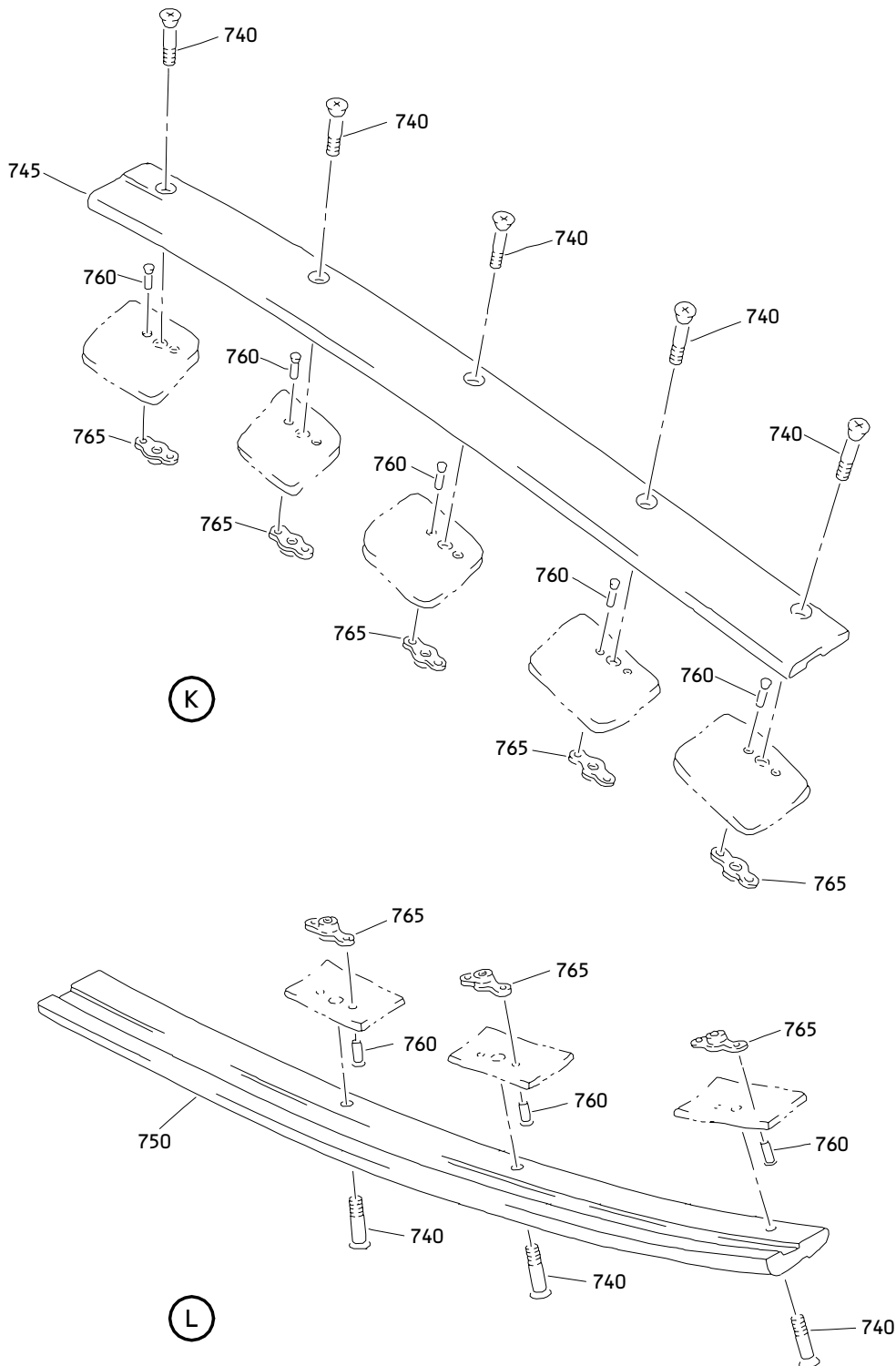
ILLUSTRATED PARTS LIST  
 01.1 Page 1034P  
 Nov 01/04



Box Installation - Cowl Reverser Torque  
Figure 2 (Sheet 6)

**71-11-56**

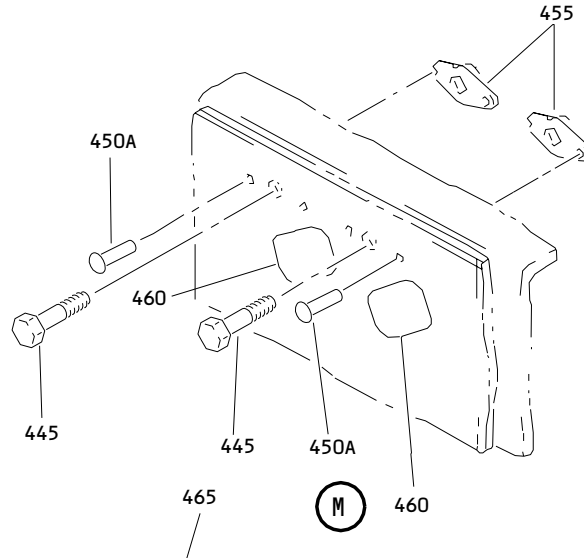
ILLUSTRATED PARTS LIST  
01.1 Page 1034Q  
Nov 01/04



Box Installation - Cowl Reverser Torque  
Figure 2 (Sheet 7)

**71-11-56**

ILLUSTRATED PARTS LIST  
01.1 Page 1034R  
Nov 01/04



### CAUTION

" THE INBOARD THRUST REVERSER HALVES MUST NOT BE OPENED UNLESS INBOARD LEADING EDGE SLATS ARE RETRACTED TO CRUISE POSITION AND PLACARDED AS FOLLOWS:

1. RETRACT INBOARD LEADING EDGE SLATS.
2. ATTACH DO-NOT-OPERATE IDENTIFIER TO FLAP CONTROL LEVER.
3. CHECK THAT ALTERNATE FLAP SLAT POSITION SELECTOR ON PILOTS P3-1 PANEL IS IN NORM POSITION AND ATTACH DO-NOT-OPERATE IDENTIFIER.

IF EXTENSIVE ENGINE WORK IS BEING ACCOMPLISHED, IT MAY BE DESIRABLE TO DEACTIVATE THE PRIMARY AND ALTERNATE LEADING EDGE DRIVE SYSTEMS PER MM 27-81-00."

(N)

### WARNING

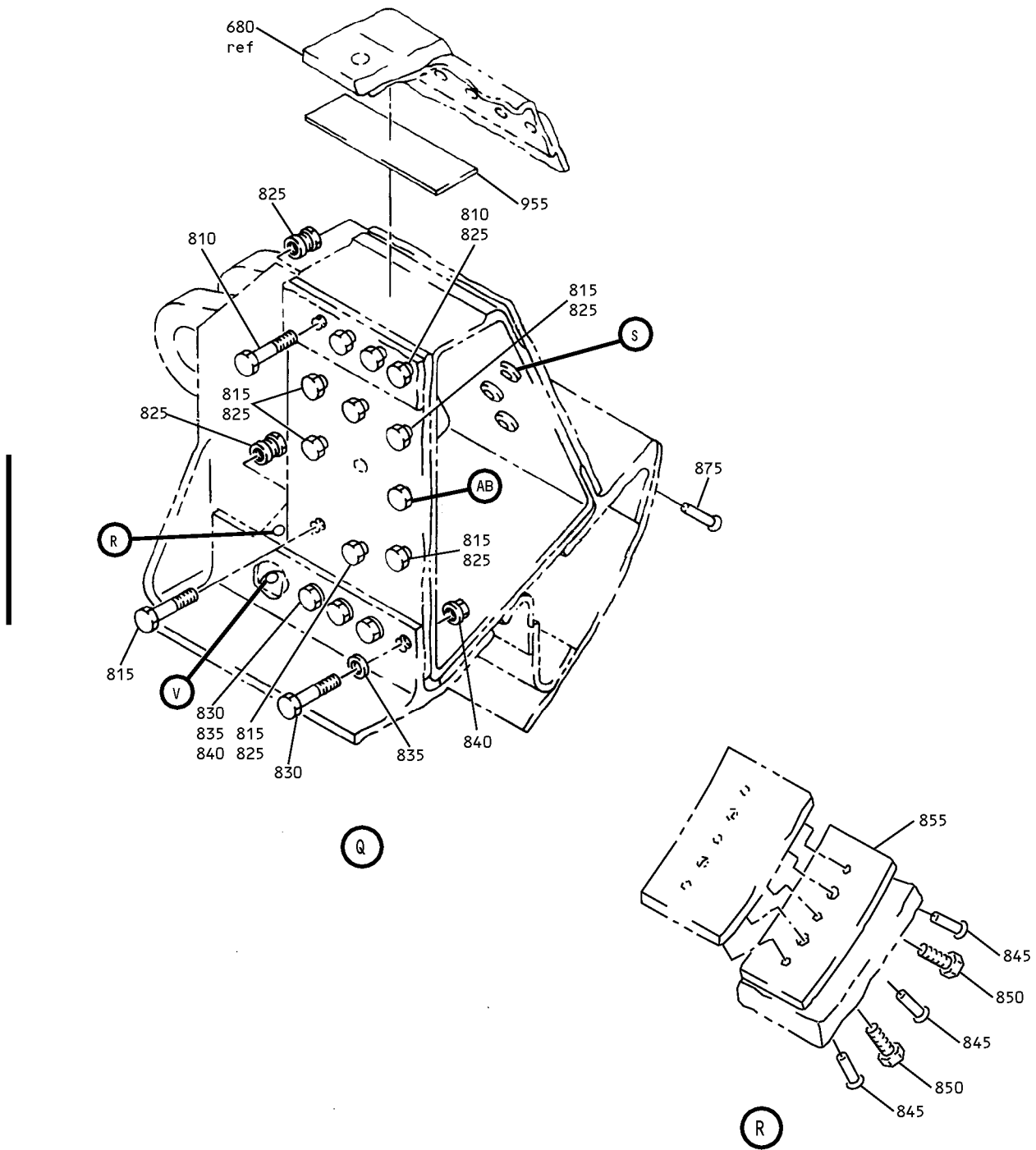
DO NOT STAND BETWEEN THE FAN DUCT COWL AND THRUST REVERSER AND THE ENGINE UNLESS THE FAN DUCT COWL AND THRUST REVERSER IS SECURED WITH HOLD OPEN ROD. AN EXPOSED RED BAND WITH THE WORD "UNLOCKED" ON HOLD OPEN ROD INDICATES THE ROD IS NOT LOCKED. THE ROD MUST BE FULLY EXTENDED AND THE RED BAND MUST BE COVERED FOR THE ROD TO BE LOCKED. A SLING (LIFT) MUST BE USED PER MM78-31-00 IN ADDITION TO HOLD OPEN ROD WHEN HYDRAULIC COWL OPENING SYSTEM IS INOPERATIVE. TOOL A78001 MUST BE USED IN CONJUNCTION WITH HYDRAULIC COWL OPENING SYSTEM WHEN ENGINE IS NOT INSTALLED. SERIOUS OR FATAL INJURY MAY OCCUR IF FAN DUCT COWL AND THRUST REVERSER SWINGS SHUT.

(P)

Box Installation- Cowl Reverser Torque  
Figure 2 (Sheet 8)

**71-11-56**

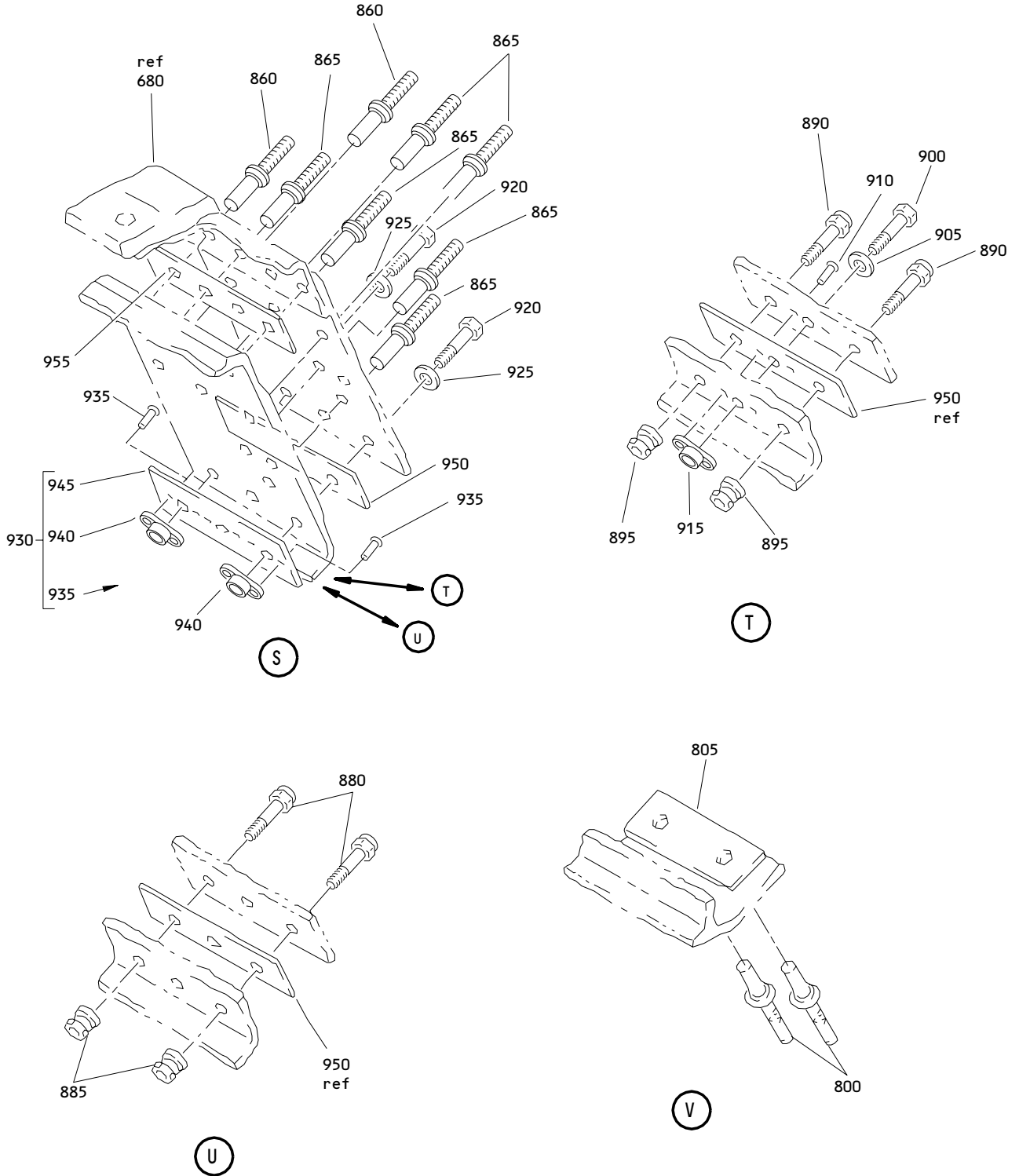
ILLUSTRATED PARTS LIST  
01.1 Page 1034S  
Nov 01/04



Box Installation - Cowl Reverser Torque  
 Figure 2 (Sheet 9)

**71-11-56**

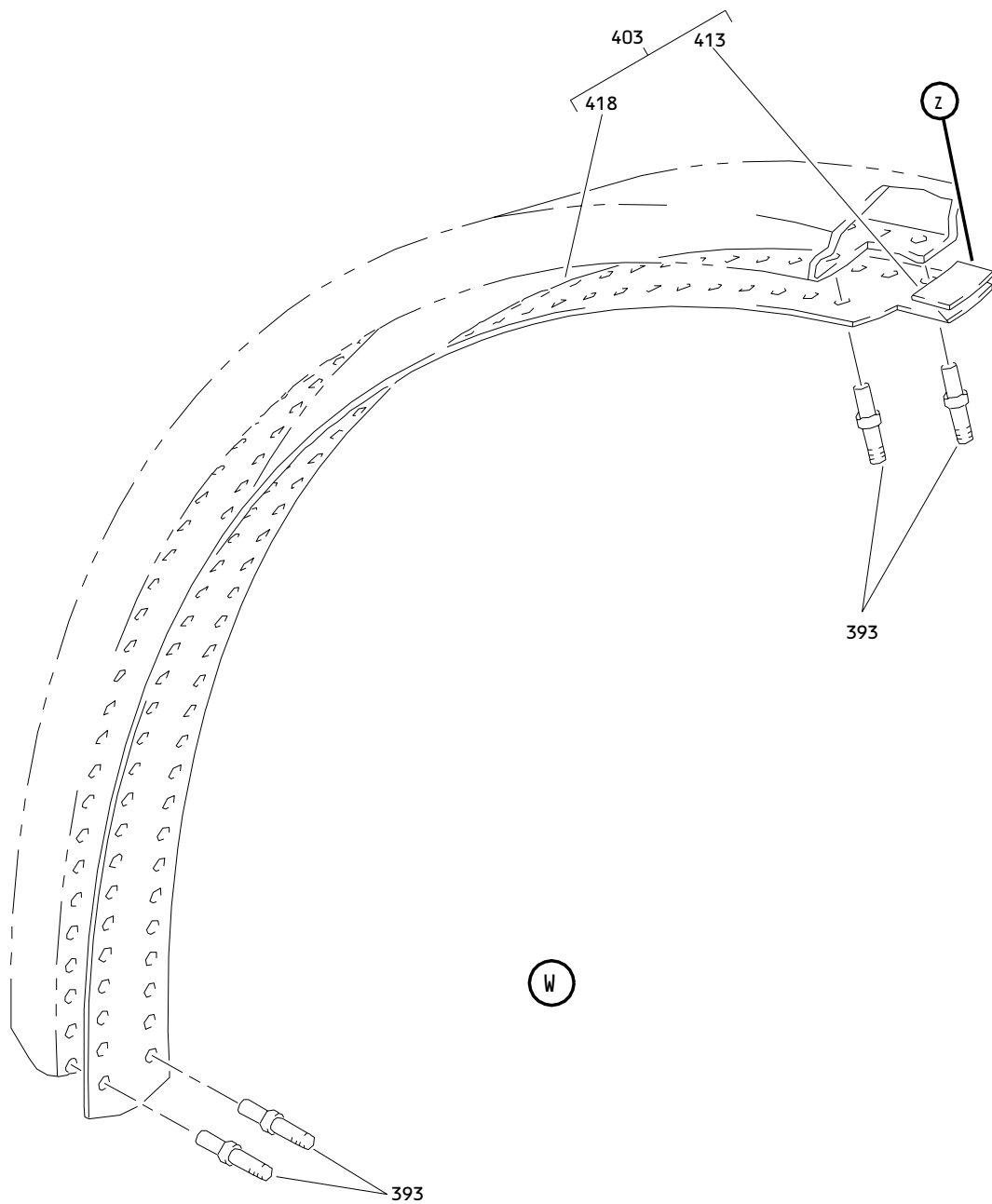
ILLUSTRATED PARTS LIST  
 01.1 Page 1034T  
 Nov 01/04



Box Installation - Cowl Reverser Torque  
Figure 2 (Sheet 10)

**71-11-56**

ILLUSTRATED PARTS LIST  
01.1 Page 1034U  
Nov 01/04

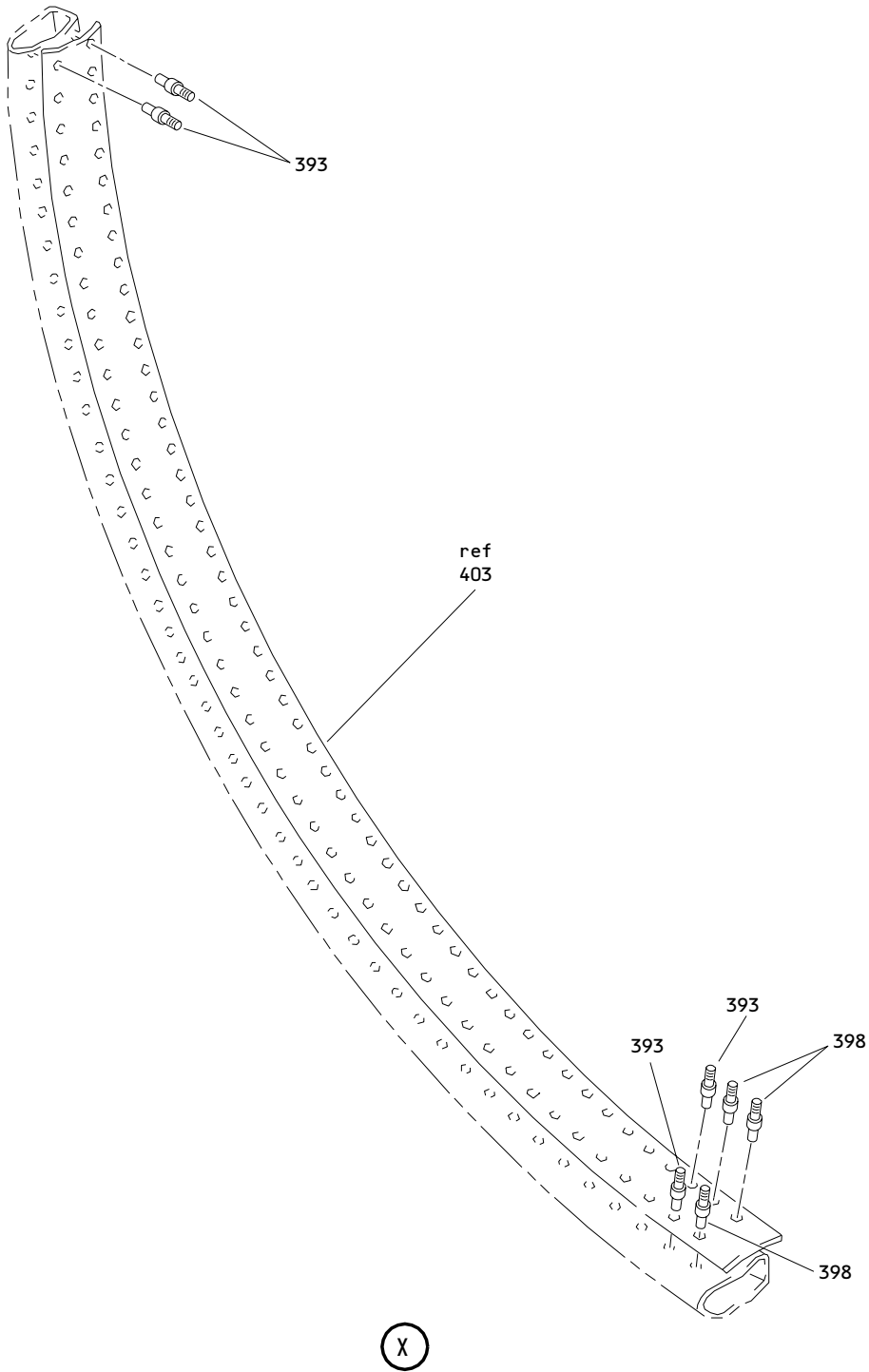


Box Installation - Cowl Reverser Torque  
Figure 2 (Sheet 11)

**71-11-56**

ILLUSTRATED PARTS LIST  
01.1 Page 1034V  
Nov 01/04

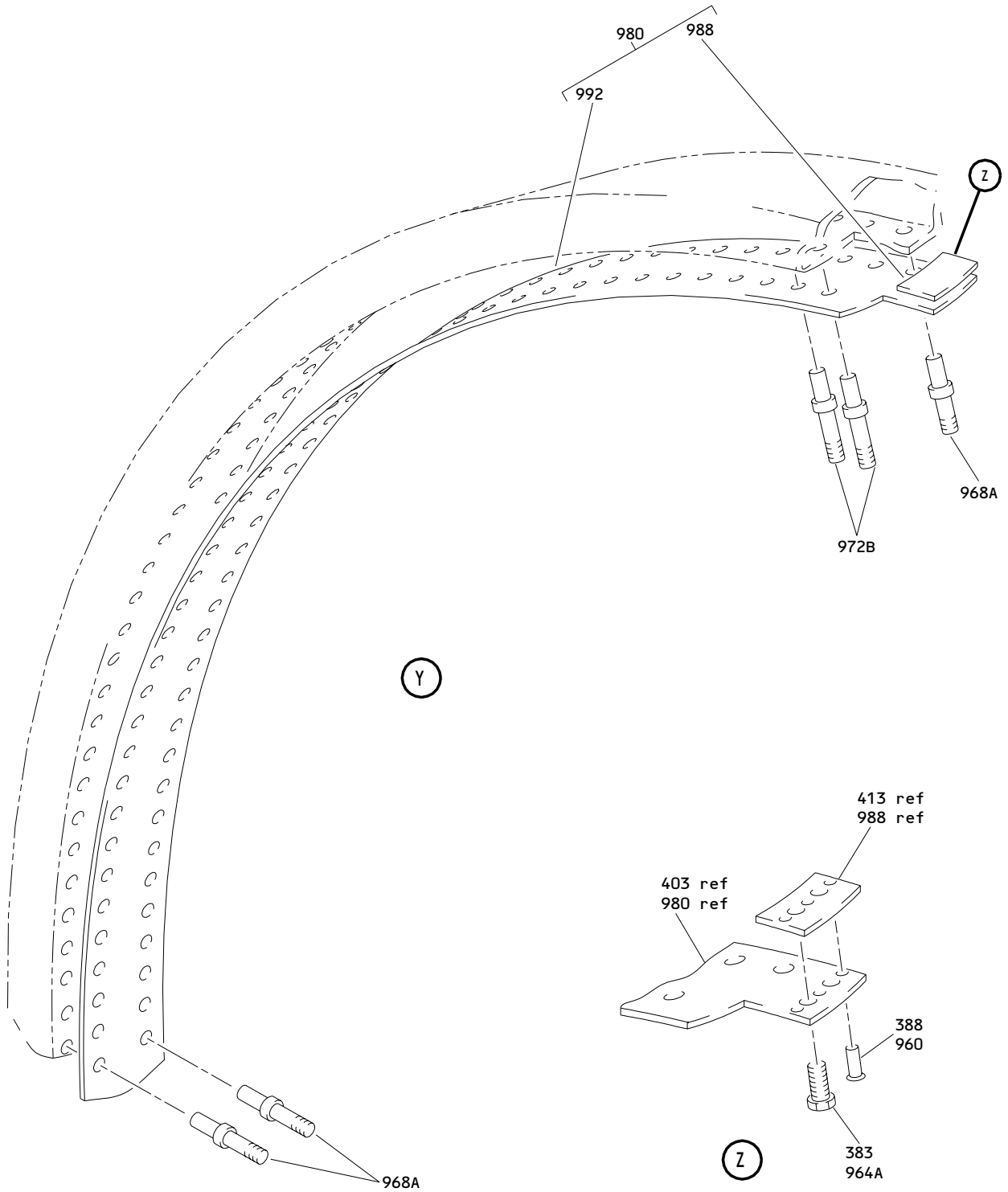




Box Installation - Cowl Reverser Torque  
Figure 2 (Sheet 12)

**71-11-56**

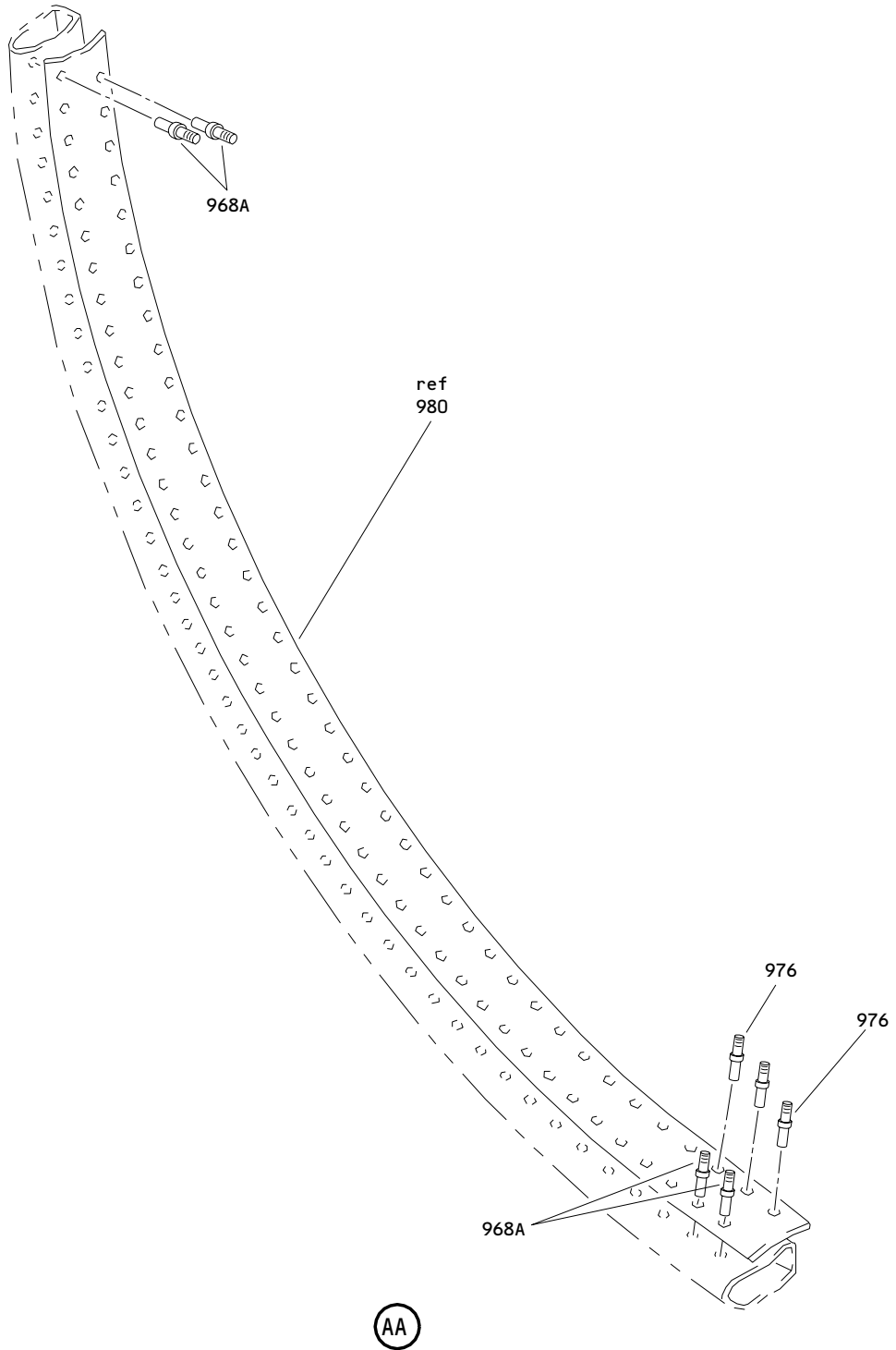
ILLUSTRATED PARTS LIST  
01.1 Page 1034W  
Nov 01/04



Box Installation - Cowl Reverser Torque  
 Figure 2 (Sheet 13)

**71-11-56**

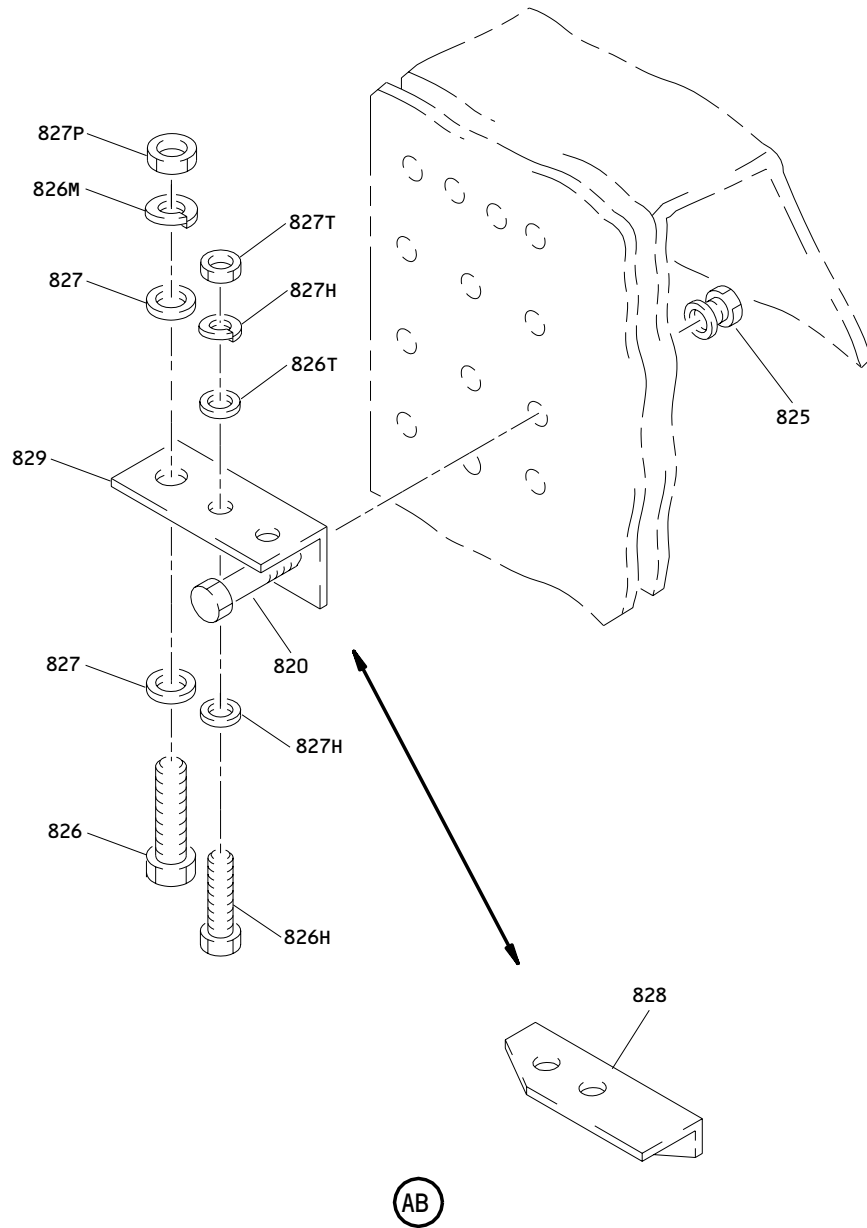
ILLUSTRATED PARTS LIST  
 01.1 Page 1034X  
 Nov 01/04



Box Installation - Cowl Reverser Torque  
Figure 2 (Sheet 14)

**71-11-56**

ILLUSTRATED PARTS LIST  
01.1 Page 1034Y  
Nov 01/04



Box Installation - Cowl Reverser Torque  
 Figure 2 (Sheet 15)

**71-11-56**

 **BOEING**  
COMPONENT  
MAINTENANCE MANUAL

| FIG. & ITEM | PART NO.     | AIRLINE PART NUMBER | NOMENCLATURE<br>1234567  | EFF CODE   | QTY PER ASSY |
|-------------|--------------|---------------------|--|--|--------------|
| 02-<br>-1   | 315T3202-149 |                     | BOX INSTL-ENG OUTBD AND<br>INBD SIDE FAN DUCT<br>REVERSER JT9D-7R4 ENG<br>TORQUE LH              | A-D,J<br>,M,AE<br>,AF,A<br>J,AK,<br>AP,AR                | RF           |
| -1A         | 315T3202-149 |                     | BOX INSTL-ENG OUTBD AND<br>INBD SIDE FAN DUCT<br>REVERSER JT9D-7R4 ENG<br>TORQUE LH<br>(LIMITED) | K,L,N<br>,Y,AW<br>,AY                                    | RF           |
| -1B         | 315T3202-179 |                     | BOX INSTL-ENG OUTBD AND<br>INBD SIDE FAN DUCT<br>REVERSER JT9D-7R4 ENG<br>TORQUE LH<br>(LIMITED) | K,L,N<br>,Y,AW<br>,AY                                    | RF           |
| -1C         | 315T3202-179 |                     | BOX INSTL-ENG OUTBD AND<br>INBD SIDE FAN DUCT<br>REVERSER JT9D-7R4 ENG<br>TORQUE LH              | V,Z,A<br>N,AQ,<br>BA,BB<br>,BE,B<br>F,BJ<br>BK,BN<br>,BP | RF           |
| -1D         | 315T3202-233 |                     | BOX INSTL-ENG OUTBD AND<br>INBD SIDE FAN DUCT<br>REVERSER JT9D-7R4 ENG<br>TORQUE LH<br>(LIMITED) | BS,BT<br>,BW,B<br>X                                      | RF           |
| -1E         | 315T3202-235 |                     | BOX INSTL-ENG OUTBD AND<br>INBD SIDE FAN DUCT<br>REVERSER JT9D-7R4 ENG<br>TORQUE LH<br>(LIMITED) | BS,BT<br>,BW,B<br>X                                      | RF           |
| -5          | 315T3202-150 |                     | BOX INSTL-ENG OUTBD AND<br>INBD SIDE FAN DUCT<br>REVERSER JT9D-7R4 ENG<br>TORQUE LH              | E,F,H<br>,Q,T,<br>AA,AG<br>,AH,A<br>L,AM<br>AT,AV        | RF           |
| -5A         | 315T3202-150 |                     | BOX INSTL-ENG OUTBD AND<br>INBD SIDE FAN DUCT<br>REVERSER JT9D-7R4 ENG<br>TORQUE LH<br>(LIMITED) | R,U,W<br>,AC,A<br>X,AZ                                   | RF           |

71-11-56

ILLUSTRATED PARTS LIST  
01.1 Page 1035  
Nov 01/04

| FIG. & ITEM | PART NO.      | AIRLINE PART NUMBER | NOMENCLATURE<br>1234567  | EFF CODE  | QTY PER ASSY |
|-------------|---------------|---------------------|--|---|--------------|
| 02-<br>-5B  | 315T3202-180  |                     | BOX INSTL-ENG OUTBD AND<br>INBD SIDE FAN DUCT<br>REVERSER JT9D-7R4 ENG<br>TORQUE LH<br>(LIMITED) | R,U,W<br>,AC,A<br>X,AZ  | RF           |
| -5C         | 315T3202-180  |                     | BOX INSTL-ENG OUTBD AND<br>INBD SIDE FAN DUCT<br>REVERSER JT9D-7R4 ENG<br>TORQUE LH              | X,AD,<br>AS,AU<br>,BC,B<br>D,BG,<br>BH,BL<br>BM,BQ<br>,BR   | RF           |
| -5D         | 315T3202-234  |                     | BOX INSTL-ENG OUTBD AND<br>INBD SIDE FAN DUCT<br>REVERSER JT9D-7R4 ENG<br>TORQUE LH<br>(LIMITED) | BU,BV<br>,BY,B<br>Z   | RF           |
| -5E         | 315T3202-236  |                     | BOX INSTL-ENG OUTBD AND<br>INBD SIDE FAN DUCT<br>REVERSER JT9D-7R4 ENG<br>TORQUE LH<br>(LIMITED) | BU,BV<br>,BY,B<br>Z   | RF           |
| -10         | 315T3202-7005 |                     | .COLLECTOR ASSY-COMMON<br>PART   | A-D,<br>J-N,V<br>,Y,Z,<br>AE,AF<br>,AJ,A<br>K<br>AN-AR<br>,AW,A<br>Y,BA,<br>BB,BE<br>,BF<br>BJ,BK<br>,BN,B<br>P | 1            |
| -10A        | 315T3202-7007 |                     | .COLLECTOR ASSY-COMMON<br>PART<br>(USED ON ITEM 1D)  | BS,BT<br>,BW,B<br>X   | 1            |
| -10B        | 315T3202-7009 |                     | .COLLECTOR ASSY-COMMON<br>PART<br>(USED ON ITEM 1E)  | BS,BT<br>,BW,B<br>X   | 1            |

# 71-11-56

 ILLUSTRATED PARTS LIST  
 01.1 Page 1036  
 Nov 01/04

**BOEING**  
COMPONENT  
MAINTENANCE MANUAL

| FIG. & ITEM | PART NO.      | AIRLINE PART NUMBER | NOMENCLATURE<br>1234567                             | EFF CODE  | QTY PER ASSY |
|-------------|---------------|---------------------|---|---|--------------|
| 02-<br>-15  | 315T3202-7006 |                     | .COLLECTOR ASSY-COMMON<br>PART                      | E,F,H<br>,Q,R,<br>T,U,W<br>,X,AA<br>,AC<br>AD,AG<br>,AH,A<br>L,AM,<br>AS-AV<br>,AX<br>AZ,BC<br>,BD,B<br>G,BH,<br>BL,BM<br>,BQ<br>BR | 1            |
| -15A        | 315T3202-7008 |                     | .COLLECTOR ASSY-COMMON<br>PART<br>(USED ON ITEM 5D) | BU,BV<br>,BY,B<br>Z   | 1            |
| -15B        | 315T3202-7010 |                     | .COLLECTOR ASSY-COMMON<br>PART<br>(USED ON ITEM 5E) | BU,BV<br>,BY,B<br>Z   | 1            |
| 17          | MS21141-0607P |                     | DELETED   |   |              |
| 20          | BACB30LJ3K5   |                     | DELETED   |   |              |
| -20A        | NAS6703A5     |                     | DELETED   |   |              |
| 25          | AN960PD10     |                     | DELETED   |   |              |
| 30          | H10-3BAC      |                     | DELETED   |   |              |
| 35          | BACB30MY6K5   |                     | ..BOLT  | A-F,<br>H-N,Q<br>,R,<br>T-AA,<br>AC-BZ  | 4            |

71-11-56

| FIG. & ITEM | PART NO.                           | AIRLINE PART NUMBER | NOMENCLATURE<br>1234567   | EFF CODE  | QTY PER ASSY |
|-------------|------------------------------------|---------------------|---|---|--------------|
| 02-40       | HL79-6                             |                     | ..COLLAR-<br>(V5M902)<br>(SPEC BACC30M6)<br>(OPT HL79-6<br>(V73197))<br>(OPT HL79-6<br>(V92215))<br>(OPT 66014-6<br>(V56878))<br>(OPT HL79-6<br>(V56878)) | A-F,<br>H-N,Q<br>,R,<br>T-AA,<br>AC-BZ  | 4            |
| 45          | BACR15FT6KE                        |                     | ..RIVET-<br>(SIZE DETERMINE ON INST)  | A-F,<br>H-N,Q<br>,R,<br>T-AA,<br>AC-BZ  | 8            |
| 50<br>50A   | BACF3F009D009NN<br>BACS40R009B009F |                     | DELETED<br>..SHIM   | A-F,<br>H-N,Q<br>,R,<br>T-AA,<br>AC-BZ  | 2            |
| 55          | BACF3F009L046NN                    |                     | ..FILLER  | A-F,<br>H-N,Q<br>,R,<br>T-AA,<br>AC-BZ  | 2            |
| 60          | 315T3633-149                       |                     | ..BRACKET ASSY  | A-D,<br>J-N,V<br>,Y,Z,<br>AE,AF<br>,AJ,A<br>K<br>AN-AR<br>,AW,A<br>Y,BA,<br>BB,BE<br>,BF<br>BJ,BK<br>,BN,B<br>P,BS,<br>BT,BW<br>,BX | 1            |

# 71-11-56

 ILLUSTRATED PARTS LIST  
 01.1 Page 1036B  
 Nov 01/04



 **BOEING**  
COMPONENT  
MAINTENANCE MANUAL

| FIG. & ITEM | PART NO.     | AIRLINE PART NUMBER | NOMENCLATURE<br>1234567  | EFF CODE  | QTY PER ASSY |
|-------------|--------------|---------------------|--|---|--------------|
| 02-<br>-65  | 315T3633-150 |                     | ..BRACKET ASSY   | E,F,H<br>,Q,R,<br>T,U,W<br>,X,AA<br>,AC<br>AD,AG<br>,AH,A<br>L,AM,<br>AS-AV<br>,AX<br>AZ,BC<br>,BD,B<br>G,BH,<br>BL,BM<br>,BQ<br>BR,BU<br>,BV,B<br>Y,BZ | 1            |
| 70          | BACR15BB3AD  |                     | ...RIVET-<br>(SIZE DETERMINE ON INST)  | A-F,<br>H-N,Q<br>,R,<br>T-AA,<br>AC-BZ  | 4            |
| 75          | BRF100C4M    |                     | ...NUTPLATE-<br>(V52828)<br>(SPEC BACN10KB4CFM)<br>(OPT F2001-4<br>(V15653))<br>(OPT T8113C428C<br>(V11815))<br>(OPT VN151D1-048<br>(V92215))<br>(OPT 109F9207-4<br>(V72962))<br>(OPT F2001-4<br>(V15653)) | A-F,<br>H-N,Q<br>,R,<br>T-AA,<br>AC-BZ  | 2            |

71-11-56

ILLUSTRATED PARTS LIST  
01.1 Page 1036C  
Nov 01/04

| FIG. & ITEM | PART NO.     | AIRLINE PART NUMBER | NOMENCLATURE              | EFF CODE  | QTY PER ASSY |
|-------------|--------------|---------------------|---------------------------|---|--------------|
| 02-80       | 315T3633-113 |                     | 1234567<br>..BRACKET ASSY | A-D,<br>J-N,V<br>,Y,Z,<br>AE,AF<br>,AJ,A<br>K<br>AN-AR<br>,AW,A<br>Y,BA,<br>BB,BE<br>,BF<br>BJ,BK<br>,BN,B<br>P,BS,<br>BT,BW<br>,BX                     | 1            |
| -85         | 315T3633-114 |                     | ..BRACKET ASSY            | E,F,H<br>,Q,R,<br>T,U,W<br>,X,AA<br>,AC<br>AD,AG<br>,AH,A<br>L,AM,<br>AS-AV<br>,AX<br>AZ,BC<br>,BD,B<br>G,BH,<br>BL,BM<br>,BQ<br>BR,BU<br>,BV,B<br>Y,BZ | 1            |

# 71-11-56

 ILLUSTRATED PARTS LIST  
 01.1 Page 1036D  
 Nov 01/04

 **BOEING**  
COMPONENT  
MAINTENANCE MANUAL

| FIG. & ITEM | PART NO.     | AIRLINE PART NUMBER | NOMENCLATURE<br>1234567   | EFF CODE                               | QTY PER ASSY |
|-------------|--------------|---------------------|---|--|--------------|
| 02-90       | BACB30MY6K12 |                     | ..BOLT  | A-F,<br>H-N,Q<br>,R,<br>T-AA,<br>AC-BZ | 2            |
| 95          | HL79-6       |                     | ..COLLAR-<br>(V5M902)<br>(SPEC BACC30M6)<br>(OPT HL79-6<br>(V73197))<br>(OPT HL79-6<br>(V92215))<br>(OPT 66014-6<br>(V56878))<br>(OPT HL79-6<br>(V56878))   | A-F,<br>H-N,Q<br>,R,<br>T-AA,<br>AC-BZ | 2            |
| 100         | HL1012AZ6-12 |                     | ..BOLT-<br>(V97928)<br>(SPEC BACB30NX6K12)<br>(OPT L802-6K12<br>(V06725))<br>(OPT HL12VAZ6-12<br>(V73197))<br>(OPT HL12VAZ6-12<br>(V92215))<br>(OPT HL12VAZ6-12<br>(V97928))<br>(OPT HL12VAZ6-12<br>(V56878))<br>(OPT HL1012AZ6-12<br>(V0PTK6))<br>(OPT HL1012AZ6-12<br>(V06725))<br>(OPT HL1012AZ6-12<br>(V06950))<br>(OPT HL1012AZ6-12<br>(V17446))<br>(OPT HL1012AZ6-12<br>(V56878))<br>(OPT HL1012AZ6-12<br>(V60516))<br>(OPT HL1012AZ6-12<br>(V73197)) | A-F,<br>H-N,Q<br>,R,<br>T-AA,<br>AC-BZ | 2            |

**71-11-56**

ILLUSTRATED PARTS LIST  
01.1 Page 1036E  
Nov 01/04

| FIG. & ITEM | PART NO.    | AIRLINE PART NUMBER | NOMENCLATURE<br>1234567   | EFF CODE                               | QTY PER ASSY |
|-------------|-------------|---------------------|---|--|--------------|
| 02-105      | HL1187-6    |                     | ..COLLAR-<br>(V5M902)<br>(SPEC BACC30X6)<br>(OPT HL87-6<br>(V73197))<br>(OPT HL87-6<br>(V92215))<br>(OPT HL1187-6<br>(V56878))<br>(OPT HL1187-6<br>(V92215))<br>(OPT HL87-6<br>(V56878))<br>(OPT HL1187-6<br>(V73197))<br>(OPT ITEM 105A)       | A-F,<br>H-N,Q<br>,R,<br>T-AA,<br>AC-BZ | 2            |
| -105A       | HL1187DU6   |                     | ..COLLAR-<br>(V5M902)<br>(SPEC BACC30X6S)<br>(OPT HL87DU6<br>(V73197))<br>(OPT HL87DU6<br>(V92215))<br>(OPT HL1187DU6<br>(V56878))<br>(OPT HL1187DU6<br>(V92215))<br>(OPT HL87DU6<br>(V56878))<br>(OPT HL1187DU6<br>(V73197))<br>(OPT ITEM 105) | A-F,<br>H-N,Q<br>,R,<br>T-AA,<br>AC-BZ | 2            |
| 110         | BACR15FT6KE |                     | ..RIVET-<br>(SIZE DETERMINE ON INST)  | A-F,<br>H-N,Q<br>,R,<br>T-AA,<br>AC-BZ | 18           |
| 115         | 315T3202-43 |                     | ..FILLER-RADIUS   | A-F,<br>H-N,Q<br>,R,<br>T-AA,<br>AC-BZ | 4            |

# 71-11-56

 ILLUSTRATED PARTS LIST  
 01.1 Page 1036F  
 Nov 01/04

 **BOEING**  
COMPONENT  
MAINTENANCE MANUAL

| FIG. & ITEM | PART NO.    | AIRLINE PART NUMBER | NOMENCLATURE<br>1234567                | EFF CODE                              | QTY PER ASSY |
|-------------|-------------|---------------------|--|---------------------------------------|--------------|
| 02-120      | 315T3202-44 |                     | ..FILLER                               | A-F,<br>H-N,Q<br>R,<br>T-AA,<br>AC-BZ | 4            |
|             |             |                     | -----*                                 |                                       |              |
| 125         | BACR15CE5KE |                     | ...RIVET-<br>(SIZE DETERMINE ON INST)  | A-F,<br>H-N,Q<br>R,<br>T-AA,<br>AC-BZ | 1            |
| 130         | BACR15BB5AD |                     | ...RIVET-<br>(SIZE DETERMINE ON INST)  | A-F,<br>H-N,Q<br>R,<br>T-AA,<br>AC-BZ | 1            |
| 135         | BACR15BB6AD |                     | ...RIVET-<br>(SIZE DETERMINE ON INST)  | A-F,<br>H-N,Q<br>R,<br>T-AA,<br>AC-BZ | 1            |
| 140         | 315T3633-98 |                     | ...STIFFENER ASSY                      | A-F,<br>H-N,Q<br>R,<br>T-AA,<br>AC-BZ | 1            |
| 145         | BACR15BA3AD |                     | ....RIVET-<br>(SIZE DETERMINE ON INST) | A-F,<br>H-N,Q<br>R,<br>T-AA,<br>AC-BZ | 4            |

**71-11-56**

ILLUSTRATED PARTS LIST  
01.1 Page 1036G  
Nov 01/04

| FIG. & ITEM | PART NO.       | AIRLINE PART NUMBER | NOMENCLATURE<br>1234567  | EFF CODE                               | QTY PER ASSY |
|-------------|----------------|---------------------|--|--|--------------|
| 02-150      | BRF200C3M      |                     | ....NUTPLATE-<br>(V52828)<br>(SPEC BACN10JR3CFM)<br>(OPT F5001-3BAC<br>(V15653))<br>(OPT NS103203SE02<br>(V80539))<br>(OPT T8092C1032<br>(V11815))<br>(OPT VN152D1-02<br>(V92215))<br>(OPT 109F9201-3<br>(V72962)) | A-F,<br>H-N,Q<br>,R,<br>T-AA,<br>AC-BZ | 2            |
| 155         | 315T3634-2     |                     | DELETED  |  |              |
| 160         | 315T3634-10    |                     | DELETED  |  |              |
| -165        | 315T3634-2     |                     | DELETED  |  |              |
| 170         | 315T3634-1     |                     | DELETED  |  |              |
| 175         | 315T3634-1     |                     | DELETED  |  |              |
| -180        | 315T3634-11    |                     | DELETED  |  |              |
|             |                |                     | ATTACHING PARTS  |  |              |
| 185         | HL10VAZ8-11    |                     | DELETED  |  |              |
| 190         | HL10VAZ8-10    |                     | DELETED  |  |              |
| 195         | HL79-8         |                     | DELETED  |  |              |
| 200         | BACR15FT6KE    |                     | DELETED  |  |              |
| 205         | HL10VAZ6-9     |                     | DELETED  |  |              |
| 210         | HL10VAZ6-8     |                     | DELETED  |  |              |
| 215         | HL79-6         |                     | DELETED  |  |              |
| 220         | MS21209F4-10P  |                     | DELETED  |  |              |
| 225         | BACB28AP07P038 |                     | DELETED  |  |              |

# 71-11-56

 ILLUSTRATED PARTS LIST  
 01.1 Page 1036H  
 Nov 01/04

 **BOEING**  
COMPONENT  
MAINTENANCE MANUAL

| FIG. & ITEM | PART NO.       | AIRLINE PART NUMBER | NOMENCLATURE<br>1234567                         | EFF CODE                               | QTY PER ASSY |
|-------------|----------------|---------------------|---|--|--------------|
| 02-         |                |                     |   |  |              |
| 230         | 315T3634-4     |                     | DELETED   |  |              |
| -235        | 315T3634-12    |                     | DELETED   |  |              |
| -240        | 315T3634-4     |                     | DELETED   |  |              |
| -245        | 315T3634-170   |                     | DELETED   |  |              |
| -250        | 315T3634-3     |                     | DELETED   |  |              |
| -255        | 315T3634-13    |                     | DELETED   |  |              |
| 260         | BACS40R11B22F  |                     | DELETED   |  |              |
| 265         | BACS40R09B21F  |                     | DELETED   |  |              |
| 270         | BACS40R17B33F  |                     | DELETED   |  |              |
| 275         | 315T3245-1     |                     | DELETED   |  |              |
| 280         | BACR15BA5AD    |                     | DELETED   |  |              |
| 285         | MS21209F8-10   |                     | DELETED   |  |              |
| 290         | 315T3245-2     |                     | DELETED   |  |              |
| 295         | 315T3206-19    |                     | DELETED   |  |              |
| -295A       | 315T3206-29    |                     | DELETED   |  |              |
| -300        | 315T3206-30    |                     | DELETED   |  |              |
| 305         | BACR15CE3D     |                     | DELETED   |  |              |
| 310         | NS103191SE02-2 |                     | DELETED   |  |              |
| 315         | 315T3206-21    |                     | DELETED   |  |              |
| -315A       | 315T3206-27    |                     | DELETED   |  |              |
| -320        | 315T3206-28    |                     | DELETED   |  |              |
| 325         | 315T3704-1     |                     | ..BRACKET ASSY                                  | A-F,<br>H-N,Q<br>,R,<br>T-AA,<br>AC-BZ | 1            |
| 330         | NAS1398CW6-5   |                     | ..RIVET-<br>(USED ON ITEMS 10, 10A,<br>15, 15A) | A-F,<br>H-N,Q<br>,R,<br>T-AA,<br>AC-BZ | 2            |
| -330A       | NAS1398CW6A5   |                     | ..RIVET-<br>(USED ON ITEMS 10B, 15B)<br>-----*  | BS-BZ                                  | 2            |
| 335         | BACR15BA3AD2   |                     | ...RIVET  | A-F,<br>H-N,Q<br>,R,<br>T-AA,<br>AC-BZ | 4            |

71-11-56

| FIG. & ITEM | PART NO.     | AIRLINE PART NUMBER | NOMENCLATURE<br>1234567   | EFF CODE  | QTY PER ASSY |
|-------------|--------------|---------------------|---|---|--------------|
| 02-340      | BR1000A3     |                     | ...NUTPLATE-<br>(V52828)<br>(SPEC BACN10KB3)<br>(OPT K2000-3<br>(V15653))<br>(OPT RMA9207-3<br>(V72962))<br>(OPT T8109S1032<br>(V11815))<br>(OPT VN101A1-02<br>(V92215))<br>(OPT K2000-3<br>(V15653)) | A-F,<br>H-N,Q<br>,R,<br>T-AA,<br>AC-BZ  | 2            |
| 345         | 315T3704-2   |                     | ...BRACKET  | A-F,<br>H-N,Q<br>,R,<br>T-AA,<br>AC-BZ  | 1            |
| 347         | 315T3202-104 |                     | ..SEAL  | A-D,<br>J-N,V<br>,Y,Z,<br>AE,AF<br>,AJ,A<br>K<br>AN-AR<br>,AW,A<br>Y,BA,<br>BB,BE<br>,BF<br>BJ,BK<br>,BN,B<br>P,BS,<br>BT,BW<br>,BX | 1            |
| 350         | 315T3202-100 |                     | ..SEAL  | A-F,<br>H-N,Q<br>,R,<br>T-AA,<br>AC-BZ  | 1            |
| 355         | 315T3201-21  |                     | DELETED   |   |              |
| 355A        | 315T3201-28  |                     | DELETED   |   |              |
| -360        | 315T3201-22  |                     | DELETED   |   |              |
| -360A       | 315T3201-29  |                     | DELETED   |   |              |
| 365         | BACB30LR3-5  |                     | ATTACHING PARTS<br>DELETED  |   |              |

# 71-11-56

 ILLUSTRATED PARTS LIST  
 01.1 Page 1036J  
 Nov 01/04



| FIG. & ITEM         | PART NO.                  | AIRLINE PART NUMBER | NOMENCLATURE<br>1234567  | EFF CODE                               | QTY PER ASSY |
|---------------------|---------------------------|---------------------|--|--|--------------|
| 02-<br>-365A<br>370 | BACB30LH3-5<br>315T3637-1 |                     | DELETED<br>..BOLT-SPECIAL  | A-F,<br>H-N,Q<br>,R,<br>T-AA,<br>AC-BZ | 4            |
| 375                 | AN960C10L                 |                     | ..WASHER   | A-F,<br>H-N,Q<br>,R,<br>T-AA,<br>AC-BZ | 4            |
| 380                 | H10-3BAC                  |                     | ..NUT-<br>(V15653)<br>(SPEC BACN10JC3)<br>(OPT NS202101-02<br>(V80539))<br>(OPT RMLH9075-3W<br>(V72962))<br>(OPT T6S1032J<br>(V71087))<br>(OPT VN303A02<br>(V92215))<br>(OPT 96-02<br>(V80539))<br>(OPT BRH10A3<br>(V52828)) | A-F,<br>H-N,Q<br>,R,<br>T-AA,<br>AC-BZ | 4            |
| 383                 | PLT1001-5-5               |                     | ..BOLT-<br>(V98524)<br>(SPEC BACB30CC5-5)<br>(OPT PLT1001-5-5<br>(V92215))<br>(OPT P164-5<br>(V98524))<br>(USED ON ITEMS 10, 10A,<br>15, 15A)  | A-F,<br>H-N,Q<br>,R,<br>T-AA,<br>AC-BZ | 2            |

71-11-56

ILLUSTRATED PARTS LIST  
01.1 Page 1036K  
Nov 01/04

| FIG. & ITEM          | PART NO.                                   | AIRLINE PART NUMBER | NOMENCLATURE<br>1234567   | EFF CODE  | QTY PER ASSY |
|----------------------|--|---------------------|---|---|--------------|
| 02-385<br>388        | BACB30LR3-6<br>BACR15DR3A3D                |                     | DELETED<br>..RIVET-<br>(SIZE DETERMINE ON INST)<br>(USED ON ITEMS 10, 10A,<br>15, 15A)  | A-F,<br>H-N,Q<br>,R,<br>T-AA,<br>AC-BZ  | 3            |
| 390<br>393           | BACR15BA5A<br>NAS1399CW3-6                 |                     | DELETED<br>..RIVET-<br>(USED ON ITEMS 10, 10A,<br>15, 15A)  | A-F,<br>H-N,Q<br>,R,<br>T-AA,<br>AC-BZ  | 174          |
| 395<br>395A<br>398   | 315T3201-23<br>315T3201-30<br>PLT1001-6-4  |                     | DELETED<br>DELETED<br>..BOLT-<br>(V98524)<br>(SPEC BACB30CC6-4)<br>(OPT PLT1001-6-4<br>(V92215))<br>(OPT P200-4<br>(V98524))<br>(USED ON ITEMS 10, 10A,<br>15, 15A) | A-F,<br>H-N,Q<br>,R,<br>T-AA,<br>AC-BZ  | 3            |
| -400<br>-400A<br>403 | 315T3201-24<br>315T3201-31<br>315T3202-141 |                     | DELETED<br>DELETED<br>..FAIRING ASSY-BULLNOSE<br>(USED ON ITEMS 10, 10A)  | A-D,<br>J-N,V<br>,Y,Z,<br>AE,AF<br>,AJ,A<br>K<br>AN-AR<br>,AW,A<br>Y,BA,<br>BB,BE<br>,BF<br>BJ,BK<br>,BN,B<br>P,BS,<br>BT,BW<br>,BX | 1            |

71-11-56

ILLUSTRATED PARTS LIST  
01.1 Page 1036L  
Nov 01/04

 **BOEING**  
COMPONENT  
MAINTENANCE MANUAL

| FIG. & ITEM                 | PART NO.                                    | AIRLINE PART NUMBER | NOMENCLATURE<br>1234567   | EFF CODE  | QTY PER ASSY |
|-----------------------------|---|---------------------|---|---|--------------|
| 02-<br>405<br>-408<br>-408A | 315T3201-25<br>315T3202-142<br>315T3202-162 |                     | DELETED<br>DELETED<br>...FAIRING ASSY-BULLNOSE<br>(USED ON ITEMS 15, 15A) | E, F, H<br>, Q, R,<br>T, U, W<br>, X, AA<br>, AC<br>AD, AG<br>, AH, A<br>L, AM,<br>AS-AV<br>, AX<br>AZ, BC<br>, BD, B<br>G, BH,<br>BL, BM<br>, BQ<br>BR, BU<br>, BV, B<br>Y, BZ | 1            |
| -410<br>413                 | 315T3201-26<br>315T3202-138                 |                     | DELETED<br>...DOUBLER   | A-F,<br>H-N, Q<br>, R,<br>T-AA,<br>AC-BZ  | 1            |
| 415<br>418                  | BACB30LR3-6<br>315T3202-143                 |                     | DELETED<br>...FAIRING   | A-D,<br>J-N, V<br>, Y, Z,<br>AE, AF<br>, AJ, A<br>K<br>AN-AR<br>, AW, A<br>Y, BA,<br>BB, BE<br>, BF<br>BJ, BK<br>, BN, B<br>P, BS,<br>BT, BW<br>, BX                            | 1            |

71-11-56

| FIG. & ITEM        | PART NO.                   | AIRLINE PART NUMBER | NOMENCLATURE          | EFF CODE  | QTY PER ASSY |
|--------------------|----------------------------|---------------------|-----------------------|---|--------------|
|                    |                            |                     | 1234567               |   |              |
| 02-<br>420<br>-423 | 315T3201-7<br>315T3202-164 |                     | DELETED<br>...FAIRING | E, F, H<br>, Q, R,<br>T, U, W<br>, X, AA<br>, AC<br>AD, AG<br>, AH, A<br>L, AM,<br>AS-AV<br>, AX<br>AZ, BC<br>, BD, B<br>G, BH,<br>BL, BM<br>, BQ<br>BR, BU<br>, BV, B<br>Y, BZ | 1            |
| 425                | 315T3201-10                |                     | DELETED               |   |              |
| -430               | 315T3201-20                |                     | DELETED               |   |              |
| -430A              | 315T3201-27                |                     | DELETED               |   |              |
| 435                | BACR15BB3AD                |                     | DELETED               |   |              |
| 435A               | BACR15BA3AD                |                     | DELETED               |   |              |
| 440                | F5000-3BAC                 |                     | DELETED               |   |              |
| 445                | BACB30LJ4-3                |                     | . . BOLT              | A-F,<br>H-N, Q<br>, R,<br>T-AA,<br>AC-BZ  | 6            |

71-11-56

 **BOEING**  
COMPONENT  
MAINTENANCE MANUAL

| FIG. & ITEM    | PART NO.                   | AIRLINE PART NUMBER | NOMENCLATURE<br>1234567  | EFF CODE                              | QTY PER ASSY |
|----------------|----------------------------|---------------------|--|---------------------------------------|--------------|
| 02-450<br>450A | BACR15BB3AD<br>BACR15BA3AD |                     | DELETED<br>..RIVET-<br>(SIZE DETERMINE ON INST)  | A-F,<br>H-N,Q<br>R,<br>T-AA,<br>AC-BZ | 12           |
| 455            | BRFM20C4M                  |                     | ..NUTPLATE-<br>(V52828)<br>(SPEC BACN10JN4CM)<br>(OPT MF1001-4BAC<br>(V15653))<br>(OPT NS103218SE048<br>(V80539))<br>(OPT VN252D048<br>(V92215))<br>(OPT 109F9201M4<br>(V72962))<br>(OPT T8125C4C<br>(V11815))<br>(OPT T8125C4C<br>(V11815)) | A-F,<br>H-N,Q<br>R,<br>T-AA,<br>AC-BZ | 6            |
| 460            | BAC27TTR0025               |                     | ..MARKER-ALUMINUM FOIL-GSE<br>HOIST POINT  | A-F,<br>H-N,Q<br>R,<br>T-AA,<br>AC-BZ | 6            |
| 465            | BAC27TTR0036               |                     | ..MARKER-ALUMINUM FOIL   | A-F,<br>H-N,Q<br>R,<br>T-AA,<br>AC-BZ | 1            |
| 470            | BAC27TTR0042               |                     | ..MARKER-ALUMINUM FOIL   | A-F,<br>H-N,Q<br>R,<br>T-AA,<br>AC-BZ | 1            |

71-11-56

ILLUSTRATED PARTS LIST  
01.1 Page 10360  
Nov 01/04

| FIG. & ITEM | PART NO.     | AIRLINE PART NUMBER | NOMENCLATURE                              | EFF CODE  | QTY PER ASSY |
|-------------|--------------|---------------------|---|---|--------------|
| 02-475      | BAC27TPP0489 |                     | 1234567<br>..MARKER-ALUMINUM FOIL-GD6663S | A-D,<br>J-N,V<br>,Y,Z,<br>AE,AF<br>,AJ,A<br>K<br>AN-AR<br>,AW,A<br>Y,BA,<br>BB,BE<br>,BF<br>BJ,BK<br>,BN,B<br>P,BS,<br>BT,BW<br>,BX                     | 1            |
| -480        | BAC27TPP0491 |                     | ..MARKER-ALUMINUM FOIL-GD6661S            | E,F,H<br>,Q,R,<br>T,U,W<br>,X,AA<br>,AC<br>AD,AG<br>,AH,A<br>L,AM,<br>AS-AV<br>,AX<br>AZ,BC<br>,BD,B<br>G,BH,<br>BL,BM<br>,BQ<br>BR,BU<br>,BV,B<br>Y,BZ | 1            |

# 71-11-56

 ILLUSTRATED PARTS LIST  
 01.1 Page 1036P  
 Nov 01/04

**BOEING**  
COMPONENT  
MAINTENANCE MANUAL

| FIG. & ITEM | PART NO.     | AIRLINE PART NUMBER | NOMENCLATURE                              | EFF CODE  | QTY PER ASSY |
|-------------|--------------|---------------------|---|---|--------------|
| 02-485      | BAC27TPP0490 |                     | 1234567<br>..MARKER-ALUMINUM FOIL-GD6645S | A-D,<br>J-N,V<br>,Y,Z,<br>AE,AF<br>,AJ,A<br>K<br>AN-AR<br>,AW,A<br>Y,BA,<br>BB,BE<br>,BF<br>BJ,BK<br>,BN,B<br>P,BS,<br>BT,BW<br>,BX                     | 1            |
| -490        | BAC27TPP0492 |                     | ..MARKER-ALUMINUM FOIL-GD6641S            | E,F,H<br>,Q,R,<br>T,U,W<br>,X,AA<br>,AC<br>AD,AG<br>,AH,A<br>L,AM,<br>AS-AV<br>,AX<br>AZ,BC<br>,BD,B<br>G,BH,<br>BL,BM<br>,BQ<br>BR,BU<br>,BV,B<br>Y,BZ | 1            |

71-11-56

ILLUSTRATED PARTS LIST  
01.1 Page 1036Q  
Nov 01/04

| FIG. & ITEM          | PART NO.                       | AIRLINE PART NUMBER | NOMENCLATURE<br>1234567  | EFF CODE   | QTY PER ASSY |
|----------------------|--------------------------------|---------------------|--|--|--------------|
| 02-<br>-500<br>-500A | 315T3202-5039<br>315T3202-5040 |                     | DELETED<br>.COLLECTOR ASSY-LIMITED<br>PART<br>(LIMITED)<br>(USED ON ITEMS 1, 1A) | A-D,<br>J-N,Y<br>,AE,A<br>F,AJ,<br>AK,AP<br>AR,AW<br>,AY                           | 1            |
| -500B                | 315T3202-5055                  |                     | .COLLECTOR ASSY-LIMITED<br>PART<br>(LIMITED)<br>(USED ON ITEMS 1, 1A)            | A-D,<br>J-N,Y<br>,AE,A<br>F,AJ,<br>AK,AP<br>AR,AW<br>,AY                           | 1            |
| -500C                | 315T3202-5057                  |                     | .COLLECTOR ASSY-LIMITED<br>PART<br>(LIMITED)<br>(USED ON ITEMS 1, 1A)            | A-D,<br>J-N,Y<br>,AE,A<br>F,AJ,<br>AK,AP<br>AR,AW<br>,AY                           | 1            |
| -500D                | 315T3202-5063                  |                     | .COLLECTOR ASSY-LIMITED<br>PART<br>(LIMITED)<br>(USED ON ITEMS 1B, 1C)           | K,L,N<br>,V,Y,<br>Z,AN,<br>AQ,AW<br>,AY<br>BA,BB<br>,BE,B<br>F,BJ,<br>BK,BN<br>,BP | 1            |

# 71-11-56

 ILLUSTRATED PARTS LIST  
 01.1 Page 1036R  
 Nov 01/04



 **BOEING**  
COMPONENT  
MAINTENANCE MANUAL

| FIG. & ITEM  | PART NO.      | AIRLINE PART NUMBER | NOMENCLATURE<br>1234567  | EFF CODE   | QTY PER ASSY |
|--------------|---------------|---------------------|--|--|--------------|
| 02-<br>-500E | 315T3202-5065 |                     | .COLLECTOR ASSY-LIMITED<br>PART<br>(LIMITED)<br>(USED ON ITEMS 1, 1A)  | A-D,<br>J-N,Y<br>,AE,A<br>F,AJ,<br>AK,AP<br>AR,AW<br>,AY                           | 1            |
| -500F        | 315T3202-5067 |                     | .COLLECTOR ASSY-LIMITED<br>PART<br>(LIMITED)<br>(USED ON ITEMS 1B, 1C) | K,L,N<br>,V,Y,<br>Z,AN,<br>AQ,AW<br>,AY<br>BA,BB<br>,BE,B<br>F,BJ,<br>BK,BN<br>,BP | 1            |
| -500G        | 315T3202-5069 |                     | .COLLECTOR ASSY-LIMITED<br>PART<br>(LIMITED)<br>(USED ON ITEMS 1B, 1C) | K,L,N<br>,V,Y,<br>Z,AN,<br>AQ,AW<br>,AY<br>BA,BB<br>,BE,B<br>F,BJ,<br>BK,BN<br>,BP | 1            |
| -500H        | 315T3202-5075 |                     | .COLLECTOR ASSY-LIMITED<br>PART<br>(LIMITED)<br>(USED ON ITEMS 1B, 1C) | K,L,N<br>,V,Y,<br>Z,AN,<br>AQ,AW<br>,AY<br>BA,BB<br>,BE,B<br>F,BJ,<br>BK,BN<br>,BP | 1            |

71-11-56

ILLUSTRATED PARTS LIST  
01.1 Page 1036S  
Nov 01/04

| FIG. & ITEM           | PART NO.                       | AIRLINE PART NUMBER | NOMENCLATURE<br>1234567   | EFF CODE   | QTY PER ASSY |
|-----------------------|--------------------------------|---------------------|---|--|--------------|
| 02-<br>-500J<br>-500K | 315T3202-5077<br>315T3202-5079 |                     | DELETED<br>.COLLECTOR ASSY-LIMITED<br>PART<br>(LIMITED)<br>(USED ON ITEMS 1B, 1C) | K,L,N<br>,V,Y,<br>Z,AN,<br>AQ,AW<br>,AY<br>BA,BB<br>,BE,B<br>F,BJ,<br>BK,BN<br>,BP | 1            |
| -500L                 | 315T3202-5081                  |                     | .COLLECTOR ASSY-LIMITED<br>PART<br>(LIMITED)<br>(USED ON ITEM 1B, 1C)             | K,L,N<br>,V,Y,<br>Z,AN,<br>AQ,AW<br>,AY<br>BA,BB<br>,BE,B<br>F,BJ,<br>BK,BN<br>,BP | 1            |
| -500M                 | 315T3202-5085                  |                     | .COLLECTOR ASSY-LIMITED<br>PART<br>(USED ON ITEMS 1B, 1C)                         | K,L,N<br>,V,Y,<br>Z,AN,<br>AQ,AW<br>,AY<br>BA,BB<br>,BE,B<br>F,BJ,<br>BK,BN<br>,BP | 1            |
| -500N                 | 315T3202-5087                  |                     | .COLLECTOR ASSY-LIMITED<br>PART<br>(USED ON ITEMS 1B, 1C)                         | K,L,N<br>,V,Y,<br>Z,AN,<br>AQ,AW<br>,AY<br>BA,BB<br>,BE,B<br>F,BJ,<br>BK,BN<br>,BP | 1            |

# 71-11-56

 ILLUSTRATED PARTS LIST  
 01.1 Page 1036T  
 Nov 01/04

 **BOEING**  
COMPONENT  
MAINTENANCE MANUAL

| FIG. & ITEM  | PART NO.      | AIRLINE PART NUMBER | NOMENCLATURE<br>1234567                                   | EFF CODE   | QTY PER ASSY |
|--------------|---------------|---------------------|---|--|--------------|
| 02-<br>-500P | 315T3202-5089 |                     | .COLLECTOR ASSY-LIMITED<br>PART<br>(USED ON ITEMS 1B, 1C) | K,L,N<br>,V,Y,<br>Z,AN,<br>AQ,AW<br>,AY<br>BA,BB<br>,BE,B<br>F,BJ,<br>BK,BN<br>,BP | 1            |
| -500Q        | 315T3202-5091 |                     | .COLLECTOR ASSY-LIMITED<br>PART<br>(USED ON ITEMS 1B, 1C) | K,L,N<br>,V,Y,<br>Z,AN,<br>AQ,AW<br>,AY<br>BA,BB<br>,BE,B<br>F,BJ,<br>BK,BN<br>,BP | 1            |
| -500R        | 315T3202-5095 |                     | .COLLECTOR ASSY-LIMITED<br>PART<br>(USED ON ITEMS 1B, 1C) | K,L,N<br>,V,Y,<br>Z,AN,<br>AQ,AW<br>,AY<br>BA,BB<br>,BE,B<br>F,BJ,<br>BK,BN<br>,BP | 1            |

71-11-56

ILLUSTRATED PARTS LIST  
01.1 Page 1036U  
Nov 01/04

| FIG. & ITEM  | PART NO.      | AIRLINE PART NUMBER | NOMENCLATURE<br>1234567                                   | EFF CODE   | QTY PER ASSY |
|--------------|---------------|---------------------|---|--|--------------|
| 02-<br>-500S | 315T3202-5097 |                     | .COLLECTOR ASSY-LIMITED<br>PART<br>(USED ON ITEMS 1B, 1C) | K,L,N<br>,V,Y,<br>Z,AN,<br>AQ,AW<br>,AY<br>BA,BB<br>,BE,B<br>F,BJ,<br>BK,BN<br>,BP | 1            |
| -500T        | 315T3202-5099 |                     | .COLLECTOR ASSY-LIMITED<br>PART<br>(USED ON ITEMS 1B, 1C) | K,L,N<br>,V,Y,<br>Z,AN,<br>AQ,AW<br>,AY<br>BA,BB<br>,BE,B<br>F,BJ,<br>BK,BN<br>,BP | 1            |
| -500U        | 315T3202-5105 |                     | .COLLECTOR ASSY-LIMITED<br>PART<br>(USED ON ITEMS 1B, 1C) | K,L,N<br>,V,Y,<br>Z,AN,<br>AQ,AW<br>,AY<br>BA,BB<br>,BE,B<br>F,BJ,<br>BK,BN<br>,BP | 1            |

# 71-11-56

 ILLUSTRATED PARTS LIST  
 01.1 Page 1036V  
 Nov 01/04

 **BOEING**  
COMPONENT  
MAINTENANCE MANUAL

| FIG. & ITEM  | PART NO.      | AIRLINE PART NUMBER | NOMENCLATURE<br>1234567                                   | EFF CODE   | QTY PER ASSY |
|--------------|---------------|---------------------|---|--|--------------|
| 02-<br>-500V | 315T3202-5107 |                     | .COLLECTOR ASSY-LIMITED<br>PART<br>(USED ON ITEMS 1B, 1C) | K,L,N<br>,V,Y,<br>Z,AN,<br>AQ,AW<br>,AY<br>BA,BB<br>,BE,B<br>F,BJ,<br>BK,BN<br>,BP | 1            |
| -500W        | 315T3202-5109 |                     | .COLLECTOR ASSY-LIMITED<br>PART<br>(USED ON ITEMS 1B, 1C) | K,L,N<br>,V,Y,<br>Z,AN,<br>AQ,AW<br>,AY<br>BA,BB<br>,BE,B<br>F,BJ,<br>BK,BN<br>,BP | 1            |
| -500X        | 315T3202-5111 |                     | .COLLECTOR ASSY-LIMITED<br>PART<br>(USED ON ITEMS 1B, 1C) | K,L,N<br>,V,Y,<br>Z,AN,<br>AQ,AW<br>,AY<br>BA,BB<br>,BE,B<br>F,BJ,<br>BK,BN<br>,BP | 1            |

**71-11-56**

ILLUSTRATED PARTS LIST  
01.1 Page 1036W  
Nov 01/04

| FIG. & ITEM   | PART NO.                       | AIRLINE PART NUMBER | NOMENCLATURE<br>1234567  | EFF CODE   | QTY PER ASSY |
|---------------|--------------------------------|---------------------|--|--|--------------|
| 02-<br>-500Y  | 315T3202-5113                  |                     | .COLLECTOR ASSY-LIMITED<br>PART<br>(USED ON ITEM 1D)                             | BS,BT<br>,BW,B<br>X  | 1            |
| -500Z         | 315T3202-5115                  |                     | .COLLECTOR ASSY-LIMITED<br>PART<br>(USED ON ITEM 1D)                             | BS,BT<br>,BW,B<br>X  | 1            |
| -501          | 315T3202-5117                  |                     | .COLLECTOR ASSY-LIMITED<br>PART<br>(USED ON ITEM 1D)                             | BS,BT<br>,BW,B<br>X  | 1            |
| -501A         | 315T3202-5119                  |                     | .COLLECTOR ASSY-LIMITED<br>PART<br>(USED ON ITEM 1D)                             | BS,BT<br>,BW,B<br>X  | 1            |
| -501B         | 315T3202-5121                  |                     | .COLLECTOR ASSY-LIMITED<br>PART<br>(USED ON ITEM 1E)                             | BS,BT<br>,BW,B<br>X  | 1            |
| -501C         | 315T3202-5123                  |                     | .COLLECTOR ASSY-LIMITED<br>PART<br>(USED ON ITEM 1E)                             | BS,BT<br>,BW,B<br>X  | 1            |
| -501D         | 315T3202-5127                  |                     | .COLLECTOR ASSY-LIMITED<br>PART<br>(USED ON ITEM 1E)                             | BS,BT<br>,BW,B<br>X  | 1            |
| -501E         | 315T3202-5129                  |                     | .COLLECTOR ASSY-LIMITED<br>PART<br>(USED ON ITEM 1E)                             | BS,BT<br>,BW,B<br>X  | 1            |
| -505<br>-505A | 315T3202-5041<br>315T3202-5042 |                     | DELETED<br>.COLLECTOR ASSY-LIMITED<br>PART<br>(LIMITED)<br>(USED ON ITEMS 5, 5A) | E,F,H<br>,Q,R,<br>T,U,W<br>,AA,A<br>C,AG<br>AH,AL<br>,AM,A<br>T,AV,<br>AX,AZ | 1            |

# 71-11-56

 ILLUSTRATED PARTS LIST  
 01.1 Page 1036X  
 Nov 01/04

 **BOEING**  
COMPONENT  
MAINTENANCE MANUAL

| FIG. & ITEM  | PART NO.      | AIRLINE PART NUMBER | NOMENCLATURE<br>1234567  | EFF CODE   | QTY PER ASSY |
|--------------|---------------|---------------------|--|--|--------------|
| 02-<br>-505B | 315T3202-5056 |                     | .COLLECTOR ASSY-LIMITED<br>PART<br>(LIMITED)<br>(USED ON ITEMS 5, 5A)  | E,F,H<br>,Q,R,<br>T,U,W<br>,AA,A<br>C,AG<br>AH,AL<br>,AM,A<br>T,AV,<br>AX,AZ         | 1            |
| -505C        | 315T3202-5058 |                     | .COLLECTOR ASSY-LIMITED<br>PART<br>(LIMITED)<br>(USED ON ITEMS 5, 5A)  | E,F,H<br>,Q,R,<br>T,U,W<br>,AA,A<br>C,AG<br>AH,AL<br>,AM,A<br>T,AV,<br>AX,AZ         | 1            |
| -505D        | 315T3202-5064 |                     | .COLLECTOR ASSY-LIMITED<br>PART<br>(LIMITED)<br>(USED ON ITEMS 5B, 5C) | R,U,W<br>,X,AC<br>,AD,A<br>S,AU,<br>AX,AZ<br>BC,BD<br>,BG,B<br>H,BL,<br>BM,BQ<br>,BR | 1            |
| -505E        | 315T3202-5066 |                     | .COLLECTOR ASSY-LIMITED<br>PART<br>(LIMITED)<br>(USED ON ITEMS 5, 5A)  | E,F,H<br>,Q,R,<br>T,U,W<br>,AA,A<br>C,AG<br>AH,AL<br>,AM,A<br>T,AV,<br>AX,AZ         | 1            |

71-11-56

ILLUSTRATED PARTS LIST  
01.1 Page 1036Y  
Nov 01/04

| FIG. & ITEM    | PART NO.                       | AIRLINE PART NUMBER | NOMENCLATURE<br>1234567   | EFF CODE   | QTY PER ASSY |
|----------------|--------------------------------|---------------------|---|--|--------------|
| 02-<br>-505F   | 315T3202-5068                  |                     | .COLLECTOR ASSY-LIMITED<br>PART<br>(LIMITED)<br>(USED ON ITEMS 5B, 5C)            | R,U,W<br>,X,AC<br>,AD,A<br>S,AU,<br>AX,AZ<br>BC,BD<br>,BG,B<br>H,BL,<br>BM,BQ<br>,BR | 1            |
| -505G          | 315T3202-5070                  |                     | .COLLECTOR ASSY-LIMITED<br>PART<br>(LIMITED)<br>(USED ON ITEMS 5B, 5C)            | R,U,W<br>,X,AC<br>,AD,A<br>S,AU,<br>AX,AZ<br>BC,BD<br>,BG,B<br>H,BL,<br>BM,BN<br>,BP | 1            |
| -505H          | 315T3202-5076                  |                     | .COLLECTOR ASSY-LIMITED<br>PART<br>(LIMITED)<br>(USED ON ITEMS 5B, 5C)            | R,U,W<br>,X,AC<br>,AD,A<br>S,AU,<br>AX,AZ<br>BC,BD<br>,BG,B<br>H,BL,<br>BM,BQ<br>,BR | 1            |
| -505J<br>-505K | 315T3202-5078<br>315T3202-5080 |                     | DELETED<br>.COLLECTOR ASSY-LIMITED<br>PART<br>(LIMITED)<br>(USED ON ITEMS 5B, 5C) | R,U,W<br>,X,AC<br>,AD,A<br>S,AU,<br>AX,AZ<br>BC,BD<br>,BG,B<br>H,BL,<br>BM,BQ<br>,BR | 1            |

# 71-11-56

 ILLUSTRATED PARTS LIST  
 01.1 Page 1036Z  
 Nov 01/04



 **BOEING**  
COMPONENT  
MAINTENANCE MANUAL

| FIG. & ITEM  | PART NO.      | AIRLINE PART NUMBER | NOMENCLATURE<br>1234567  | EFF CODE   | QTY PER ASSY |
|--------------|---------------|---------------------|--|--|--------------|
| 02-<br>-505L | 315T3202-5082 |                     | .COLLECTOR ASSY-LIMITED<br>PART<br>(LIMITED)<br>(USED ON ITEMS 5B, 5C) | R,U,W<br>,X,AC<br>,AD,A<br>S,AU,<br>AX,AZ<br>BC,BD<br>,BG,B<br>H,BL,<br>BM,BQ<br>,BR | 1            |
| -505M        | 315T3202-5086 |                     | .COLLECTOR ASSY-LIMITED<br>PART<br>(USED ON ITEMS 5B, 5C)              | R,U,W<br>,X,AC<br>,AD,A<br>S,AU,<br>AX,AZ<br>BC,BD<br>,BG,B<br>H,BL,<br>BM,BQ<br>,BR | 1            |
| -505N        | 315T3202-5088 |                     | .COLLECTOR ASSY-LIMITED<br>PART<br>(USED ON ITEMS 5B,5C)               | R,U,W<br>,X,AC<br>,AD,A<br>S,AU,<br>AX,AZ<br>BC,BD<br>,BG,B<br>H,BL,<br>BM,BQ<br>,BR | 1            |

71-11-56

| FIG. & ITEM  | PART NO.      | AIRLINE PART NUMBER | NOMENCLATURE<br>1234567                                   | EFF CODE   | QTY PER ASSY |
|--------------|---------------|---------------------|---|--|--------------|
| 02-<br>-505P | 315T3202-5090 |                     | .COLLECTOR ASSY-LIMITED<br>PART<br>(USED ON ITEMS 5B, 5C) | R,U,W<br>,X,AC<br>,AD,A<br>S,AU,<br>AX,AZ<br>BC,BD<br>,BG,B<br>H,BL,<br>BM,BQ<br>,BR | 1            |
| -505Q        | 315T3202-5092 |                     | .COLLECTOR ASSY-LIMITED<br>PART<br>(USED ON ITEMS 5B, 5C) | R,U,W<br>,X,AC<br>,AD,A<br>S,AU,<br>AX,AZ<br>BC,BD<br>,BG,B<br>H,BL,<br>BM,BQ<br>,BR | 1            |
| -505R        | 315T3202-5096 |                     | .COLLECTOR ASSY-LIMITED<br>PART<br>(USED ON ITEMS 5B, 5C) | R,U,W<br>,X,AC<br>,AD,A<br>S,AU,<br>AX,AZ<br>BC,BD<br>,BG,B<br>H,BL,<br>BM,BQ<br>,BR | 1            |

# 71-11-56

 ILLUSTRATED PARTS LIST  
 01.1 Page 1038  
 Nov 01/04

 **BOEING**  
COMPONENT  
MAINTENANCE MANUAL

| FIG. & ITEM  | PART NO.      | AIRLINE PART NUMBER | NOMENCLATURE<br>1234567                                   | EFF CODE   | QTY PER ASSY |
|--------------|---------------|---------------------|---|--|--------------|
| 02-<br>-505S | 315T3202-5098 |                     | .COLLECTOR ASSY-LIMITED<br>PART<br>(USED ON ITEMS 5B, 5C) | R,U,W<br>,X,AC<br>,AD,A<br>S,AU,<br>AX,AZ<br>BC,BD<br>,BG,B<br>H,BL,<br>BM,BQ<br>,BR | 1            |
| -505T        | 315T3202-5100 |                     | .COLLECTOR ASSY-LIMITED<br>PART<br>(USED ON ITEMS 5B, 5C) | R,U,W<br>,X,AC<br>,AD,A<br>S,AU,<br>AX,AZ<br>BC,BD<br>,BG,B<br>H,BL,<br>BM,BQ<br>,BR | 1            |
| -505U        | 315T3202-5104 |                     | .COLLECTOR ASSY-LIMITED<br>PART<br>(USED ON ITEMS 5B, 5C) | R,U,W<br>,X,AC<br>,AD,A<br>S,AU,<br>AX,AZ<br>BC,BD<br>,BG,B<br>H,BL,<br>BM,BQ<br>,BR | 1            |

**71-11-56**

ILLUSTRATED PARTS LIST  
01.1 Page 1038A  
Nov 01/04

| FIG. & ITEM  | PART NO.      | AIRLINE PART NUMBER | NOMENCLATURE<br>1234567                                   | EFF CODE   | QTY PER ASSY |
|--------------|---------------|---------------------|---|--|--------------|
| 02-<br>-505V | 315T3202-5108 |                     | .COLLECTOR ASSY-LIMITED<br>PART<br>(USED ON ITEMS 5B, 5C) | R,U,W<br>,X,AC<br>,AD,A<br>S,AU,<br>AX,AZ<br>BC,BD<br>,BG,B<br>H,BL,<br>BM,BQ<br>,BR | 1            |
| -505W        | 315T3202-5110 |                     | .COLLECTOR ASSY-LIMITED<br>PART<br>(USED ON ITEMS 5B, 5C) | R,U,W<br>,X,AC<br>,AD,A<br>S,AU,<br>AX,AZ<br>BC,BD<br>,BG,B<br>H,BL,<br>BM,BQ<br>,BR | 1            |
| -505X        | 315T3202-5112 |                     | .COLLECTOR ASSY-LIMITED<br>PART<br>(USED ON ITEMS 5B, 5C) | R,U,W<br>,X,AC<br>,AD,A<br>S,AU,<br>AX,AZ<br>BC,BD<br>,BG,B<br>H,BL,<br>BM,BQ<br>,BR | 1            |

# 71-11-56

 ILLUSTRATED PARTS LIST  
 01.1 Page 1038B  
 Nov 01/04

 **BOEING**  
COMPONENT  
MAINTENANCE MANUAL

| FIG. & ITEM  | PART NO.      | AIRLINE PART NUMBER | NOMENCLATURE<br>1234567                              | EFF CODE                               | QTY PER ASSY |
|--------------|---------------|---------------------|--|--|--------------|
| 02-<br>-505Y | 315T3202-5114 |                     | .COLLECTOR ASSY-LIMITED<br>PART<br>(USED ON ITEM 5D) | BU,BV<br>,BY,B<br>Z                    | 1            |
| -505Z        | 315T3202-5116 |                     | .COLLECTOR ASSY-LIMITED<br>PART<br>(USED ON ITEM 5D) | BU,BV<br>,BY,B<br>Z                    | 1            |
| -506         | 315T3202-5118 |                     | .COLLECTOR ASSY-LIMITED<br>PART<br>(USED ON ITEM 5D) | BU,BV<br>,BY,B<br>Z                    | 1            |
| -506A        | 315T3202-5120 |                     | .COLLECTOR ASSY-LIMITED<br>PART<br>(USED ON ITEM 5D) | BU,BV<br>,BY,B<br>Z                    | 1            |
| -506B        | 315T3202-5122 |                     | .COLLECTOR ASSY-LIMITED<br>PART<br>(USED ON ITEM 5E) | BU,BV<br>,BY,B<br>Z                    | 1            |
| -506C        | 315T3202-5124 |                     | .COLLECTOR ASSY-LIMITED<br>PART<br>(USED ON ITEM 5E) | BU,BV<br>,BY,B<br>Z                    | 1            |
| -506D        | 315T3202-5128 |                     | .COLLECTOR ASSY-LIMITED<br>PART<br>(USED ON ITEM 5E) | BU,BV<br>,BY,B<br>Z                    | 1            |
| -506E        | 315T3202-5130 |                     | .COLLECTOR ASSY-LIMITED<br>PART<br>(USED ON ITEM 5E) | BU,BV<br>,BY,B<br>Z                    | 1            |
| 510A         | 315T3245-1    |                     | DELETED  |  |              |
| 515          | BACR15BA5AD   |                     | DELETED  |  |              |
| 520          | MS21209F8-10  |                     | DELETED  |  |              |
| 525          | 315T3245-2    |                     | DELETED  |  |              |
| 530          | BACR15BA3AD   |                     | ..RIVET-<br>(SIZE DETERMINE ON INST)                 | A-F,<br>H-N,Q<br>,R,<br>T-AA,<br>AC-BZ | 8            |

71-11-56

ILLUSTRATED PARTS LIST  
01.1 Page 1038C  
Nov 01/04

| FIG. & ITEM | PART NO.     | AIRLINE PART NUMBER | NOMENCLATURE<br>1234567   | EFF CODE                               | QTY PER ASSY |
|-------------|--------------|---------------------|---|--|--------------|
| 02-535      | BRF100C3D    |                     | ..NUTPLATE-<br>(V52828)<br>(SPEC BACN10KB3CFD)<br>(OPT F51604-3<br>(V15653))<br>(OPT 102F9207P3<br>(V72962))<br>(OPT F51604-3<br>(V15653))                | A-F,<br>H-N,Q<br>,R,<br>T-AA,<br>AC-BZ | 4            |
| 536         | BACB30MY6K4  |                     | ..BOLT  | A-F,<br>H-N,Q<br>,R,<br>T-AA,<br>AC-BZ | 6            |
| 537         | HL79-6       |                     | ..COLLAR-<br>(V5M902)<br>(SPEC BACC30M6)<br>(OPT HL79-6<br>(V73197))<br>(OPT HL79-6<br>(V92215))<br>(OPT 66014-6<br>(V56878))<br>(OPT HL79-6<br>(V56878)) | A-F,<br>H-N,Q<br>,R,<br>T-AA,<br>AC-BZ | 6            |
| 538         | 315T3202-156 |                     | ..BRACKET   | A-F,<br>H-N,Q<br>,R,<br>T-AA,<br>AC-BZ | 2            |

# 71-11-56

 ILLUSTRATED PARTS LIST  
 01.1 Page 1038D  
 Nov 01/04

 **BOEING**  
COMPONENT  
MAINTENANCE MANUAL

| FIG. & ITEM | PART NO.    | AIRLINE PART NUMBER | NOMENCLATURE<br>1234567                          | EFF CODE   | QTY PER ASSY |
|-------------|-------------|---------------------|--|--|--------------|
| 02-<br>-540 | 315T3154-24 |                     | ..BRACKET INSTL-<br>(FOR DETAILS SEE<br>FIG. 10) | A-D,<br>J-N,V<br>,Y,Z,<br>AE,AF<br>,AJ,A<br>K<br>AN-AR<br>,AW,A<br>Y,BA,<br>BB,BE<br>,BF                     | 1            |
| -540A       | 315T3154-45 |                     | ..BRACKET INSTL-<br>(FOR DETAILS SEE<br>FIG. 10) | BS,BT<br>,BW,B<br>X  | 1            |
| -545        | 315T3154-36 |                     | ..BRACKET INSTL-<br>(FOR DETAILS SEE<br>FIG. 10) | E,F,H<br>,Q,R,<br>T,U,W<br>,X,AA<br>,AC<br>AD,AG<br>,AH,A<br>L,AM,<br>AS-AV<br>,AX<br>AZ,BC<br>,BD,B<br>G,BH | 1            |
| -545A       | 315T3154-46 |                     | ..BRACKET INSTL-<br>(FOR DETAILS SEE<br>FIG. 10) | BU,BV<br>,BY,B<br>Z  | 1            |

**71-11-56**

ILLUSTRATED PARTS LIST  
01.1 Page 1038E  
Nov 01/04

| FIG. & ITEM   | PART NO.                   | AIRLINE PART NUMBER | NOMENCLATURE  | EFF CODE   | QTY PER ASSY |
|---------------|----------------------------|---------------------|---|--|--------------|
| 02-550<br>555 | BAC27TTR0006<br>315T3634-1 |                     | DELETED<br>..FITTING ASSY-ATTACH<br>(USED ON ITEMS 500A,<br>500C) | A-D,<br>J-N,Y<br>,AE,A<br>F,AJ,<br>AK,AP<br>AR,AW<br>,AY                     | 3            |
| -560          | 315T3634-2                 |                     | ..FITTING ASSY-ATTACH<br>(USED ON ITEMS 505A,<br>505C)            | E,F,H<br>,Q,R,<br>T,U,W<br>,AA,A<br>C,AG<br>AH,AL<br>,AM,A<br>T,AV,<br>AX,AZ | 3            |
| 565           | 315T3634-2                 |                     | ..FITTING ASSY-ATTACH<br>(USED ON ITEMS 500A,<br>500C)            | A-D,<br>J-N,Y<br>,AE,A<br>F,AJ,<br>AK,AP<br>AR,AW<br>,AY                     | 2            |
| -570          | 315T3634-1                 |                     | ..FITTING ASSY-ATTACH<br>(USED ON ITEMS 505A,<br>505C)            | E,F,H<br>,Q,R,<br>T,U,W<br>,AA,A<br>C,AG<br>AH,AL<br>,AM,A<br>T,AV,<br>AX,AZ | 2            |

# 71-11-56

 ILLUSTRATED PARTS LIST  
 01.1 Page 1038F  
 Nov 01/04



 **BOEING**  
COMPONENT  
MAINTENANCE MANUAL

| FIG. & ITEM | PART NO.    | AIRLINE PART NUMBER | NOMENCLATURE<br>1234567  | EFF CODE   | QTY PER ASSY |
|-------------|-------------|---------------------|--|--|--------------|
| 02-575      | 315T3634-10 |                     | ..FITTING ASSY-ATTACH<br>(USED ON ITEMS 500A,<br>500C)   | A-D,<br>J-N,Y<br>,AE,A<br>F,AJ,<br>AK,AP<br>AR,AW<br>,AY                     | 1            |
| -580        | 315T3634-11 |                     | ..FITTING ASSY-ATTACH<br>(USED ON ITEMS 505A,<br>505C)   | E,F,H<br>,Q,R,<br>T,U,W<br>,AA,A<br>C,AG<br>AH,AL<br>,AM,A<br>T,AV,<br>AX,AZ | 1            |
| -585        | 315T3634-15 |                     | ..FITTING ASSY-ATTACH<br>(USED ON ITEMS 500B,<br>500D, 500E, 500F, 500G,<br>500H, 500K, 500L, 500M,<br>500N, 500P, 500Q, 500R,<br>500S, 500T, 500V, 500W,<br>505B, 505D, 505E, 505F,<br>505G, 505H, 505K, 505L,<br>505M, 505N, 505P, 505Q,<br>505R, 505S, 505T, 505V,<br>505W) | A-F,<br>H-N,Q<br>,R,<br>T-AA,<br>AC-BZ                                       | 3            |
| -585A       | 315T3634-23 |                     | ..FITTING ASSY-ATTACH<br>(USED ON ITEMS 500U,<br>500X, 500Y, 505U, 505X,<br>505Y)  | K,L,N<br>,R,<br>U-Z,A<br>C,AD,<br>AN,AQ<br>AS,AU<br>,AW-B<br>Z               | 1            |
| -585B       | 315T3634-27 |                     | ..FITTING ASSY-ATTACH<br>(USED ON ITEMS 500Z,<br>501, 501A, 501B, 501C,<br>501D, 501E, 505Z, 506,<br>506A, 506B, 506C, 506D,<br>506E)  | BS-BZ  | 1            |

71-11-56

| FIG. & ITEM | PART NO.     | AIRLINE PART NUMBER | NOMENCLATURE<br>1234567  | EFF CODE   | QTY PER ASSY |
|-------------|--------------|---------------------|--|--|--------------|
| 02-<br>-590 | 315T3634-16  |                     | ..FITTING ASSY-ATTACH<br>(USED ON ITEMS 500B,<br>500D, 500E, 500F, 500G,<br>500H, 500K, 500L, 500M,<br>500N, 500P, 500Q, 500R,<br>500S, 500T, 500V, 500W,<br>505B, 505D, 505E, 505F,<br>505G, 505H, 505K, 505L,<br>505M, 505N, 505P, 505Q,<br>505R, 505S, 505T, 505V,<br>505W) | A-F,<br>H-N,Q<br>,R,<br>T-AA,<br>AC-BZ                         | 3            |
| -590A       | 315T3634-24  |                     | ..FITTING ASSY-ATTACH<br>(USED ON ITEMS 500U,<br>500X, 500Y, 505U, 505X,<br>505Y)  | K,L,N<br>,R,<br>U-Z,A<br>C,AD,<br>AN,AQ<br>AS,AU<br>,AW-B<br>Z | 1            |
| -590B       | 315T3634-28  |                     | ..FITTING ASSY-ATTACH<br>(USED ON ITEMS 500Z,<br>501, 501A, 501B, 501C,<br>501D, 501E, 505Z, 506,<br>506A, 506B, 506C, 506D,<br>506E)  | BS-BZ  | 1            |
| 595         | BACB30MY8K11 |                     | ..BOLT   | A-F,<br>H-N,Q<br>,R,<br>T-AA,<br>AC-BZ                         | 4            |
| 600         | BACB30MY8K10 |                     | ..BOLT   | A-F,<br>H-N,Q<br>,R,<br>T-AA,<br>AC-BZ                         | 8            |

# 71-11-56

 ILLUSTRATED PARTS LIST  
 01.1 Page 1038H  
 Nov 01/04

**BOEING**  
COMPONENT  
MAINTENANCE MANUAL

| FIG. & ITEM | PART NO.    | AIRLINE PART NUMBER | NOMENCLATURE<br>1234567   | EFF CODE                               | QTY PER ASSY |
|-------------|-------------|---------------------|---|--|--------------|
| 02-605      | HL79-8      |                     | ..COLLAR-<br>(V5M902)<br>(SPEC BACC30M8)<br>(OPT HL79-8<br>(V73197))<br>(OPT HL79-8<br>(V92215))<br>(OPT 66014-8<br>(V56878))<br>(OPT HL79-8<br>(V56878))           | A-F,<br>H-N,Q<br>,R,<br>T-AA,<br>AC-BZ | 12           |
| 610         | BACR15FT6KE |                     | ..RIVET-<br>(SIZE DETERMINE ON INST)  | A-F,<br>H-N,Q<br>,R,<br>T-AA,<br>AC-BZ | 36           |
| 615         | BACB30MY6K9 |                     | ..BOLT  | A-F,<br>H-N,Q<br>,R,<br>T-AA,<br>AC-BZ | 4            |
| 620         | BACB30MY6K8 |                     | ..BOLT  | A-F,<br>H-N,Q<br>,R,<br>T-AA,<br>AC-BZ | 8            |
| 625         | HL79-6      |                     | ..COLLAR-<br>(V5M902)<br>(SPEC BACC30M6)<br>(OPT HL79-6<br>(V73197))<br>(OPT HL79-6<br>(V92215))<br>(OPT 66014-6<br>(V56878))<br>(OPT HL79-6<br>(V56878))<br>-----* | A-F,<br>H-N,Q<br>,R,<br>T-AA,<br>AC-BZ | 12           |

71-11-56

ILLUSTRATED PARTS LIST  
01.1 Page 1038I  
Nov 01/04

| FIG. & ITEM | PART NO.       | AIRLINE PART NUMBER | NOMENCLATURE<br>1234567           | EFF CODE   | QTY PER ASSY |
|-------------|----------------|---------------------|-----------------------------------|--|--------------|
| 02-630      | MS21209F4-10P  |                     | ...INSERT                         | A-F,<br>H-N,Q<br>,R,<br>T-AA,<br>AC-BZ                                       | 1            |
| 635         | BACB28AP07P038 |                     | ...BUSHING                        | A-F,<br>H-N,Q<br>,R,<br>T-AA,<br>AC-BZ                                       | 1            |
| 640         | 315T3634-3     |                     | ...FITTING-<br>(USED ON ITEM 555) | A-D,<br>J-N,Y<br>,AE,A<br>F,AJ,<br>AK,AP<br>AR,AW<br>,AY                     | 1            |
| -645        | 315T3634-4     |                     | ...FITTING-<br>(USED ON ITEM 560) | E,F,H<br>,Q,R,<br>T,U,W<br>,AA,A<br>C,AG<br>AH,AL<br>,AM,A<br>T,AV,<br>AX,AZ | 1            |
| 650         | 315T3634-4     |                     | ...FITTING-<br>(USED ON ITEM 565) | A-D,<br>J-N,Y<br>,AE,A<br>F,AJ,<br>AK,AP<br>AR,AW<br>,AY                     | 1            |

# 71-11-56

 ILLUSTRATED PARTS LIST  
 01.1 Page 1038J  
 Nov 01/04



**BOEING**  
COMPONENT  
MAINTENANCE MANUAL

| FIG. & ITEM | PART NO.    | AIRLINE PART NUMBER | NOMENCLATURE<br>1234567            | EFF CODE   | QTY PER ASSY |
|-------------|-------------|---------------------|------------------------------------|--|--------------|
| 02-<br>-655 | 315T3634-3  |                     | ...FITTING-<br>(USED ON ITEM 570)  | E,F,H<br>,Q,R,<br>T,U,W<br>,AA,A<br>C,AG<br>AH,AL<br>,AM,A<br>T,AV,<br>AX,AZ | 1            |
| 660         | 315T3634-12 |                     | ...FITTING-<br>(USED ON ITEM 575)  | A-D,<br>J-N,Y<br>,AE,A<br>F,AJ,<br>AK,AP<br>AR,AW<br>,AY                     | 1            |
| -665        | 315T3634-13 |                     | ...FITTING-<br>(USED ON ITEM 580)  | E,F,H<br>,Q,R,<br>T,U,W<br>,AA,A<br>C,AG<br>AH,AL<br>,AM,A<br>T,AV,<br>AX,AZ | 1            |
| -670        | 315T3634-19 |                     | ...FITTING-<br>(USED ON ITEM 585)  | A-F,<br>H-N,Q<br>,R,<br>T-AA,<br>AC-BZ                                       | 1            |
| -670A       | 315T3634-25 |                     | ...FITTING-<br>(USED ON ITEM 585A) | K,L,N<br>,R,<br>U-Z,A<br>C,AD,<br>AN,AQ<br>AS,AU<br>,AW-B<br>Z               | 1            |
| -670B       | 315T3634-29 |                     | ...FITTING-<br>(USED ON ITEM 585B) | BS-BZ  | 1            |

**71-11-56**

ILLUSTRATED PARTS LIST  
01.1 Page 1038K  
Nov 01/04

| FIG. & ITEM | PART NO.        | AIRLINE PART NUMBER | NOMENCLATURE<br>1234567            | EFF CODE  | QTY PER ASSY |
|-------------|-----------------|---------------------|------------------------------------|---|--------------|
| 02-<br>-675 | 315T3634-20     |                     | ...FITTING-<br>(USED ON ITEM 590)  | A-F,<br>H-N,Q<br>,R,<br>T-AA,<br>AC-BZ                                  | 1            |
| -675A       | 315T3634-26     |                     | ...FITTING-<br>(USED ON ITEM 590A) | K,L,N<br>,R,<br>U-Z,A<br>C,AD,<br>AN,AQ<br>AS,AU<br>,AW-B<br>Z<br>BS-BZ | 1            |
| -675B       | 315T3634-30     |                     | ...FITTING-<br>(USED ON ITEM 590B) |   | 1            |
| 677         | BACS40R011C022F |                     | ..SHIM                             | A-F,<br>H-N,Q<br>,R,<br>T-AA,<br>AC-BZ                                  | 6            |
| 678         | BACS40R009C021F |                     | ..SHIM                             | A-F,<br>H-N,Q<br>,R,<br>T-AA,<br>AC-BZ                                  | 6            |
| 679         | BACS40R017D033F |                     | ..SHIM                             | A-F,<br>H-N,Q<br>,R,<br>T-AA,<br>AC-BZ                                  | 6            |

# 71-11-56

 ILLUSTRATED PARTS LIST  
 01.1 Page 1038L  
 Nov 01/04

**BOEING**  
COMPONENT  
MAINTENANCE MANUAL

| FIG. & ITEM | PART NO.    | AIRLINE PART NUMBER | NOMENCLATURE<br>1234567  | EFF CODE  | QTY PER ASSY |
|-------------|-------------|---------------------|--|---|--------------|
| 02-680      | 315T3201-28 |                     | ..STRIP ASSY-RUB<br>(USED ON ITEMS 500A,<br>500B, 500C, 500D, 500E,<br>500F, 500G, 500H) | A-D,<br>J-N,V<br>,Y,Z,<br>AE,AF<br>,AJ,A<br>K<br>AN-AR<br>,AW,A<br>Y,BA,<br>BB,BE<br>,BF<br>BJ,BK<br>,BN,B<br>P | 1            |
| -680A       | 315T3201-35 |                     | ..STRIP ASSY-RUB<br>(USED ON ITEMS 500K,<br>500L, 500M, 500N, 500P)                      | K,L,N<br>,V,Y,<br>Z,AN,<br>AQ,AW<br>,AY<br>BA,BB<br>,BE,B<br>F,BJ,<br>BK,BN<br>,BP                              | 1            |
| -680B       | 315T3201-41 |                     | ..STRIP ASSY-RUB<br>(USED ON ITEMS 500Q,<br>500R, 500T)                                  | K,L,N<br>,V,Y,<br>Z,AN,<br>AQ,AW<br>,AY<br>BA,BB<br>,BE,B<br>F,BJ,<br>BK,BN<br>,BP                              | 1            |
| -680C       | 315T3201-47 |                     | DELETED  |   |              |
| -680D       | 315T3201-53 |                     | ..STRIP ASSY-RUB<br>(USED ON ITEM 500W)  | K,L,N<br>,V,Y,<br>Z,AN,<br>AQ,AW<br>,AY<br>BA,BB<br>,BE,B<br>F,BJ,<br>BK,BN<br>,BP                              | 1            |

71-11-56

| FIG. & ITEM  | PART NO.    | AIRLINE PART NUMBER | NOMENCLATURE<br>1234567  | EFF CODE  | QTY PER ASSY |
|--------------|-------------|---------------------|--|---|--------------|
| 02-<br>-680E | 315T3201-55 |                     | ..STRIP ASSY-RUB<br>(USED ON ITEMS 500S,<br>500U, 500V, 500X, 500Y)                      | K,L,N<br>,V,Y,<br>Z,AN,<br>AQ,AW<br>,AY<br>BA,BB<br>,BE,B<br>F,BJ,<br>BK,BN<br>,BP<br>BS,BT<br>,BW,B<br>X                           | 1            |
| -680F        | 315T3201-59 |                     | ..STRIP ASSY-RUB<br>(USED ON ITEMS 500Z,<br>501, 501A, 501B, 501C,<br>501D, 501E)        | BS,BT<br>,BW,B<br>X   | 1            |
| -685         | 315T3201-29 |                     | ..STRIP ASSY-RUB<br>(USED ON ITEMS 505A,<br>505B, 505C, 505D, 505E,<br>505F, 505G, 505H) | E,F,H<br>,Q,R,<br>T,U,W<br>,X,AA<br>,AC<br>AD,AG<br>,AH,A<br>L,AM,<br>AS-AV<br>,AX<br>AZ,BC<br>,BD,B<br>G,BH,<br>BL,BM<br>,BQ<br>BR | 1            |
| -685A        | 315T3201-36 |                     | ..STRIP ASSY-RUB<br>(USED ON ITEMS 505K,<br>505L, 505M, 505N, 505P)                      | R,U,W<br>,X,AC<br>,AD,A<br>S,AU,<br>AX,AZ<br>BC,BD<br>,BG,B<br>H,BL,<br>BM,BQ<br>,BR  | 1            |

# 71-11-56

 ILLUSTRATED PARTS LIST  
 01.1 Page 1038N  
 Nov 01/04





**BOEING**  
COMPONENT  
MAINTENANCE MANUAL

| FIG. & ITEM  | PART NO.                   | AIRLINE PART NUMBER | NOMENCLATURE<br>1234567  | EFF CODE  | QTY PER ASSY |
|--------------|----------------------------|---------------------|--|---|--------------|
| 02-<br>-685B | 315T3201-42                |                     | ..STRIP ASSY-RUB<br>(USED ON ITEMS 505Q,<br>505R, 505T)  | R,U,W<br>,X,AC<br>,AD,A<br>S,AU,<br>AX,AZ<br>BC,BD<br>,BG,B<br>H,BL,<br>BM,BQ<br>,BR                        | 1            |
| -685C        | 315T3201-48                |                     | DELETED  |   |              |
| -685D        | 315T3201-54                |                     | ..STRIP ASSY-RUB<br>(USED ON ITEM 505W)  | R,U,W<br>,X,AC<br>,AD,A<br>S,AU,<br>AX,AZ<br>BC,BD<br>,BG,B<br>H,BL,<br>BM,BQ<br>,BR                        | 1            |
| -685E        | 315T3201-56                |                     | ..STRIP ASSY-RUB<br>(USED ON ITEMS 505S,<br>505U, 505V, 505X, 505Y)                                  | R,U,W<br>,X,AC<br>,AD,A<br>S,AU,<br>AX,AZ<br>BC,BD<br>,BG,B<br>H,BL,<br>BM,BQ<br>,BR<br>BU,BV<br>,BY,B<br>Z | 1            |
| -685F        | 315T3201-60                |                     | ..STRIP ASSY-RUB<br>(USED ON ITEMS 505Z,<br>506, 506A, 506B, 506C,<br>506D, 506E)<br>ATTACHING PARTS | BU,BV<br>,BY,B<br>Z   | 1            |
| 690<br>690A  | BACB30LR3-5<br>BACB30LH3-5 |                     | DELETED<br>..BOLT-<br>(OPT ITEM 690B)  | A-F,<br>H-N,Q<br>,R,<br>T-AA,<br>AC-BZ  | 1            |

**71-11-56**

ILLUSTRATED PARTS LIST  
01.1 Page 10380  
Nov 01/04

| FIG. & ITEM  | PART NO.    | AIRLINE PART NUMBER | NOMENCLATURE<br>1234567   | EFF CODE  | QTY PER ASSY |
|--------------|-------------|---------------------|---|---|--------------|
| 02-<br>-690B | BACB30NN3K5 |                     | ..BOLT-<br>(OPT ITEM 690A)  | A-F,<br>H-N,Q<br>,R,<br>T-AA,<br>AC-BZ  | 1            |
| 695          | 315T3637-1  |                     | DELETED   |   |              |
| 700          | AN960C10L   |                     | DELETED   |   |              |
| 705          | H10-3BAC    |                     | DELETED   |   |              |
| 710          | BACB30LR3-6 |                     | ..BOLT  | A-F,<br>H-N,Q<br>,R,<br>T-AA,<br>AC-BZ  | 4            |
|              |             |                     | -----*  |   |              |
| 715          | BACR15BA5A  |                     | ...RIVET-<br>(SIZE DETERMINE ON INST)<br>(USED ON ITEMS 680,<br>680A, 680B, 685, 685A,<br>685B) | A-F,<br>H-N,Q<br>,R,<br>T-AA,<br>AC-BZ  | 15           |
| 717          | BACR15BA5A  |                     | ...RIVET-<br>(SIZE DETERMINE ON INST)<br>(USED ON ITEMS 680D,<br>680E, 685D, 685E)              | K,L,N<br>,U-Z,<br>AC,AD<br>,AN,A<br>Q,AS<br>AU,A<br>W-BH,<br>BJ-BR                                | 6            |
| 720          | 315T3201-30 |                     | ...STRIP-<br>(USED ON ITEM 680)   | A-D,<br>J-N,V<br>,Y,Z,<br>AE,AF<br>,AJ,A<br>K<br>AN-AR<br>,AW,A<br>Y,BA,<br>BB,BE<br>,BF<br>BJ-BR | 1            |

# 71-11-56

| FIG. & ITEM  | PART NO.    | AIRLINE PART NUMBER | NOMENCLATURE<br>1234567                    | EFF CODE  | QTY PER ASSY |
|--------------|-------------|---------------------|--|---|--------------|
| 02-<br>-720A | 315T3201-39 |                     | ...STRIP-<br>(USED ON ITEM 680A)           | K,L,N<br>,V,Y,<br>Z,AN,<br>AQ,AW<br>,AY<br>BA,BB<br>,BE,B<br>F,BJ,<br>BK,BN<br>,BP                        | 1            |
| -720B        | 315T3201-43 |                     | ...STRIP-<br>(USED ON ITEMS 680B,<br>680D) | K,L,N<br>,V,Y,<br>Z,AN,<br>AQ,AW<br>,AY<br>BA,BB<br>,BE,B<br>F,BJ,<br>BK,BN<br>,BP                        | 1            |
| -720C        | 315T3201-57 |                     | ...STRIP-<br>(USED ON ITEM 680E)           | K,L,N<br>,V,Y,<br>Z,AN,<br>AQ,AW<br>,AY<br>BA,BB<br>,BE,B<br>F,BJ,<br>BK,BN<br>,BP<br>BS,BT<br>,BW,B<br>X | 1            |

**71-11-56**

ILLUSTRATED PARTS LIST  
01.1 Page 1038Q  
Nov 01/04

| FIG. & ITEM  | PART NO.    | AIRLINE PART NUMBER | NOMENCLATURE<br>1234567                    | EFF CODE  | QTY PER ASSY |
|--------------|-------------|---------------------|--|---|--------------|
| 02-<br>-720D | 315T3201-61 |                     | ...STRIP-<br>(USED ON ITEM 680F)           | BS,BT<br>,BW,B<br>X   | 1            |
| -725         | 315T3201-31 |                     | ...STRIP-<br>(USED ON ITEM 685)            | E,F,H<br>,Q,R,<br>T,U,W<br>,X,AA<br>,AC<br>AD,AG<br>,AH,A<br>L,AM,<br>AS-AV<br>,AX<br>BC,BD<br>,BG,B<br>H,BL,<br>BM,BQ<br>,BR | 1            |
| -725A        | 315T3201-40 |                     | ...STRIP-<br>(USED ON ITEM 685A)           | R,U,W<br>,X,AC<br>,AD,A<br>S,AU,<br>AX,AZ<br>BC,BD<br>,BG,B<br>H,BL,<br>BM,BQ<br>,BR  | 1            |
| -725B        | 315T3201-44 |                     | ...STRIP-<br>(USED ON ITEMS 685B,<br>685D) | R,U,W<br>,X,AC<br>,AD,A<br>S,AU,<br>AX,AZ<br>BC,BD<br>,BG,B<br>H,BL,<br>BM,BQ<br>,BR  | 1            |

# 71-11-56

 ILLUSTRATED PARTS LIST  
 01.1 Page 1038R  
 Nov 01/04

 **BOEING**  
COMPONENT  
MAINTENANCE MANUAL

| FIG. & ITEM  | PART NO.    | AIRLINE PART NUMBER | NOMENCLATURE                       | EFF CODE  | QTY PER ASSY |
|--------------|-------------|---------------------|------------------------------------|---|--------------|
|              |             |                     | 1234567                            |   |              |
| 02-<br>-725C | 315T3201-58 |                     | ...STRIP-<br>(USED ON ITEM 685E)   | R,U,W<br>,X,AC<br>,AD,A<br>S,AU,<br>AX,AZ<br>BC,BD<br>,BG,B<br>H,BL,<br>BM,BQ<br>,BR<br>BU,BV<br>,BY,B<br>Z     | 1            |
| -725D        | 315T3201-62 |                     | ...STRIP-<br>(USED ON ITEM 685F)   | BU,BV<br>,BY,B<br>Z   | 1            |
| 730          | 315T3201-25 |                     | ...STRIP-RUB<br>(USED ON ITEM 680) | A-D,<br>J-N,V<br>,Y,Z,<br>AE,AF<br>,AJ,A<br>K<br>AN-AR<br>,AW,A<br>Y,BA,<br>BB,BE<br>,BF<br>BJ,BK<br>,BN,B<br>P | 1            |

**71-11-56**

ILLUSTRATED PARTS LIST  
01.1 Page 1038S  
Nov 01/04

| FIG. & ITEM  | PART NO.    | AIRLINE PART NUMBER | NOMENCLATURE<br>1234567                          | EFF CODE  | QTY PER ASSY |
|--------------|-------------|---------------------|--|---|--------------|
| 02-<br>-730A | 315T3201-37 |                     | ...STRIP-<br>(USED ON ITEMS 680A,<br>680B)       | K,L,N<br>,V,Y,<br>Z,AN,<br>AQ,AW<br>,AY<br>BA,BB<br>,BE,B<br>F,BJ,<br>BK,BN<br>,BP  | 1            |
| -730B        | 315T3201-51 |                     | ...STRIP-<br>(USED ON ITEMS 680D,<br>680E, 680F) | K,L,N<br>,V,Y,<br>Z,AN,<br>AQ,AW<br>,AY<br>BA,BB<br>,BE,B<br>F,BJ,<br>BK,BN<br>,BP<br>BS,BT<br>,BW,B<br>X                           | 1            |
| -735         | 315T3201-26 |                     | ...STRIP-RUB<br>(USED ON ITEM 685)               | E,F,H<br>,Q,R,<br>T,V,W<br>,X,AA<br>,AC<br>AD,AG<br>,AH,A<br>L,AM,<br>AS-AV<br>,AX<br>AZ,BC<br>,BD,B<br>G,BH,<br>BL,BM<br>,BQ<br>BR | 1            |

# 71-11-56

 ILLUSTRATED PARTS LIST  
 01.1 Page 1038T  
 Nov 01/04

 **BOEING**  
COMPONENT  
MAINTENANCE MANUAL

| FIG. & ITEM  | PART NO.    | AIRLINE PART NUMBER | NOMENCLATURE  | EFF CODE  | QTY PER ASSY |
|--------------|-------------|---------------------|---|---|--------------|
| 02-<br>-735A | 315T3201-38 |                     | 1234567<br>...STRIP-<br>(USED ON ITEMS 685A,<br>685B) | R,U,W<br>,X,AC<br>,AD,A<br>S,AU,<br>AX,AZ<br>BC,BD<br>,BG,B<br>H,BL,<br>BM,BQ<br>,BR                                    | 1            |
| -735B        | 315T3201-52 |                     | ...STRIP-<br>(USED ON ITEMS 685D,<br>685E, 685F)      | E,F,H<br>,Q,R,<br>T,U,W<br>,AA,A<br>C,AG<br>AH,AL<br>,AM,A<br>S-AV,<br>AX,AZ<br>,BL<br>BM,BQ<br>,BR,B<br>U,BV,<br>BY,BZ | 1            |
| 740          | BACB30LR3-6 |                     | ..BOLT  | A-F,<br>H-N,Q<br>,R,<br>T-AA,<br>AC-BZ  | 28           |

71-11-56

ILLUSTRATED PARTS LIST  
01.1 Page 1038U  
Nov 01/04

| FIG. & ITEM | PART NO.    | AIRLINE PART NUMBER | NOMENCLATURE<br>1234567  | EFF CODE  | QTY PER ASSY |
|-------------|-------------|---------------------|--|---|--------------|
| 02-745      | 315T3201-7  |                     | ..STRIP-RUB<br>(USED ON ITEMS 500A,<br>500B, 500C, 500D, 500E,<br>500F, 500G, 500H, 505A,<br>505B, 505C, 505D, 505E,<br>505F, 505G, 505H)  | A-F,<br>H-N,Q<br>,R,<br>T-AA,<br>AC-BZ  | 5            |
| -745A       | 315T3201-38 |                     | DELETED  |   |              |
| -745B       | 315T3201-32 |                     | ..STRIP-RUB<br>(USED ON ITEMS 500K,<br>500L, 500M, 500N, 500P,<br>500Q, 500R, 500S, 500T,<br>500U, 500V, 500W, 500X,<br>500Y, 500Z, 501, 501A,<br>501B, 501C, 501D, 501E,<br>505K, 505L, 505M, 505N,<br>505P, 505Q, 505R, 505S,<br>505T, 505U, 505V, 505Y,<br>505Z, 506, 506A, 506B) | K,L,N<br>,R,<br>U-Z,A<br>C,AD,<br>AN,AQ<br>AS,AU<br>,AW-B<br>Z  | 1            |
| 750         | 315T3201-10 |                     | ..STRIP-RUB<br>(USED ON ITEMS 500A,<br>500B, 500C, 500D, 500E,<br>500F, 500G, 500H)  | A-D,<br>J-N,V<br>,Y,Z,<br>AE,AF<br>,AJ,A<br>K<br>AN-AR<br>,AW,A<br>Y,BA,<br>BB,BE<br>,BF<br>BJ,BK<br>,BN,B<br>P | 1            |
| -750A       | 315T3201-32 |                     | DELETED  |   |              |

# 71-11-56

 ILLUSTRATED PARTS LIST  
 01.1 Page 1038V  
 Nov 01/04





**BOEING**  
COMPONENT  
MAINTENANCE MANUAL

| FIG. & ITEM  | PART NO.    | AIRLINE PART NUMBER | NOMENCLATURE<br>1234567  | EFF CODE  | QTY PER ASSY |
|--------------|-------------|---------------------|--|---|--------------|
| 02-<br>-750B | 315T3201-33 |                     | ..STRIP-RUB<br>(USED ON ITEMS 500K,<br>500L, 500M, 500N, 500P)   | K,L,N<br>,V,Y,<br>Z,AN,<br>AQ,AW<br>,AY<br>BA,BB<br>,BE,B<br>F,BJ,<br>BK,BN<br>,BP  | 1            |
| -750C        | 315T3201-45 |                     | ..STRIP-RUB<br>(USED ON ITEMS 500Q,<br>500R, 500S, 500T, 500U,<br>500V, 500W, 500X, 500Y,<br>500Z, 501, 501A, 501B,<br>501C, 501D, 501E) | K,L,N<br>,V,Y,<br>Z,AN,<br>AQ,AW<br>,AY<br>BA,BB<br>,BE,B<br>F,BJ,<br>BK,BN<br>,BP<br>BS,BT<br>,BW,B<br>X                           | 1            |
| -755         | 315T3201-27 |                     | ..STRIP-RUB<br>(USED ON ITEMS 505A,<br>505B, 505C, 505D, 505E,<br>505F, 505G, 505H)  | E,F,H<br>,Q,R,<br>T,U,W<br>,X,AA<br>,AC<br>AD,AG<br>,AH,A<br>L,AM,<br>AS-AV<br>,AX<br>AZ,BC<br>,BD,B<br>G,BH,<br>BL,BM<br>,BQ<br>BR | 1            |

71-11-56

ILLUSTRATED PARTS LIST  
01.1 Page 1038W  
Nov 01/04

| FIG. & ITEM  | PART NO.    | AIRLINE PART NUMBER | NOMENCLATURE   | EFF CODE  | QTY PER ASSY |
|--------------|-------------|---------------------|--|---|--------------|
| 02-<br>-755A | 315T3201-34 |                     | 1234567<br>..STRIP-RUB<br>(USED ON ITEMS 505K,<br>505L, 505M, 505N, 505P)  | R,U,W<br>,X,AC<br>,AD,A<br>S,AU,<br>AX,AZ<br>BC,BD<br>,BG,B<br>H,BL,<br>BM,BQ<br>,BR                        | 1            |
| -755B        | 315T3201-46 |                     | ..STRIP-RUB<br>(USED ON ITEMS 505Q,<br>505R, 505S, 505T, 505U,<br>505V, 505W, 505X, 505Y,<br>505Z, 506, 506A, 506B,<br>506C, 506D, 506E)   | R,U,W<br>,X,AC<br>,AD,A<br>S,AU,<br>AX,AZ<br>BC,BD<br>,BG,B<br>H,BL,<br>BM,BQ<br>,BR<br>BU,BV<br>,BY,B<br>Z | 1            |
| 760          | BACR15BA3AD |                     | ..RIVET-<br>(SIZE DETERMINE ON INST)   | A-F,<br>H-N,Q<br>,R,<br>T-AA,<br>AC-BZ  | 64           |
| 765          | F5000-3BAC  |                     | ..NUTPLATE-<br>(V15653)<br>(SPEC BACN10JR3F)<br>(OPT NS103203-02<br>(V80539))<br>(OPT RMF9201-3<br>(V72962))<br>(OPT T8091S1032<br>(V11815))<br>(OPT VN152A1-02<br>(V92215))<br>(OPT BRF200A3<br>(V52828)) | A-F,<br>H-N,Q<br>,R,<br>T-AA,<br>AC-BZ  | 32           |

# 71-11-56

 ILLUSTRATED PARTS LIST  
 01.1 Page 1038X  
 Nov 01/04



**BOEING**  
COMPONENT  
MAINTENANCE MANUAL

| FIG. & ITEM | PART NO.    | AIRLINE PART NUMBER | NOMENCLATURE  | EFF CODE  | QTY PER ASSY |
|-------------|-------------|---------------------|---|---|--------------|
| 02-770      | 315T3206-19 |                     | 1234567<br>..FITTING ASSY-V GROOVE<br>(OPT ITEM 770A)<br>(USED ON ITEMS 500A,<br>500B, 500C, 500D, 500E,<br>500F, 500G, 500H, 500K,<br>500L, 500M, 500N, 500P,<br>500Q, 500R) | A-D,<br>J-N,V<br>,Y,Z,<br>AE,AF<br>,AJ,A<br>K<br>AN-AR<br>,AW,A<br>Y,BA,<br>BB,BE<br>,BF<br>BJ,BK<br>,BN,B<br>P | 1            |
| -770A       | 315T3206-29 |                     | ..FITTING ASSY-V GROOVE<br>(OPT ITEM 770)<br>(USED ON ITEMS 500A,<br>500B, 500C, 500D, 500E,<br>500F, 500G, 500H, 500K,<br>500L, 500M, 500N, 500P,<br>500Q, 500R)             | A-D,<br>J-N,V<br>,Y,Z,<br>AE,AF<br>,AJ,A<br>K<br>AN-AR<br>,AW,A<br>Y,BA,<br>BB,BE<br>,BF<br>BJ,BK<br>,BN,B<br>P | 1            |
| -770B       | 315T3206-31 |                     | ..FITTING ASSY-V GROOVE<br>(USED ON ITEMS 500S,<br>500T, 500V, 500W)  | K,L,N<br>,V,Y,<br>Z,AN,<br>AQ,AW<br>,AY<br>BA,BB<br>,BE,B<br>F,BJ,<br>BK,BN<br>,BP                              | 1            |

71-11-56

ILLUSTRATED PARTS LIST  
01.1 Page 1038Y  
Nov 01/04

| FIG. & ITEM  | PART NO.    | AIRLINE PART NUMBER | NOMENCLATURE<br>1234567   | EFF CODE  | QTY PER ASSY |
|--------------|-------------|---------------------|---|---|--------------|
| 02-<br>-770C | 315T3206-35 |                     | ..FITTING ASSY-V GROOVE<br>(USED ON ITEMS 500U,<br>500X, 500Y, 500Z, 501)   | K,L,N<br>,V,Y,<br>Z,AN,<br>AQ,AW<br>,AY<br>BA,BB<br>,BE,B<br>F,BJ,<br>BK,BN<br>,BP<br>BS,BT<br>,BW,B<br>X | 1            |
| -770D        | 315T3206-39 |                     | ..FITTING ASSY-V GROOVE<br>(USED ON ITEMS 501A,<br>501B, 501C, 501D, 501E)  | BS,BT<br>,BW,B<br>X   | 1            |
| -775         | 315T3206-30 |                     | ..FITTING ASSY-V GROOVE<br>(USED ON ITEMS 505A,<br>505B, 505C, 505D, 505E,<br>505F, 505G, 505H, 505K,<br>505L, 505M, 505N, 505P,<br>505Q, 505R) | E,F,H<br>,Q,R,<br>T,U,W<br>,AA,A<br>C,AG<br>AH,AL<br>,AM,A<br>S-AV,<br>AX,AZ<br>,BL<br>BM,BQ<br>,BR       | 1            |
| -775A        | 315T3206-32 |                     | ..FITTING ASSY-V GROOVE<br>(USED ON ITEMS 505S,<br>505T, 505V, 505W)  | R,U,W<br>,X,AC<br>,AD,A<br>S,AU,<br>AX,AZ<br>BC,BD<br>,BG,B<br>H,BL,<br>BM,BQ<br>,BR                      | 1            |

# 71-11-56

 ILLUSTRATED PARTS LIST  
 01.1 Page 1038Z  
 Nov 01/04



**BOEING**  
COMPONENT  
MAINTENANCE MANUAL

| FIG. & ITEM  | PART NO.       | AIRLINE PART NUMBER | NOMENCLATURE<br>1234567  | EFF CODE  | QTY PER ASSY |
|--------------|----------------|---------------------|--|---|--------------|
| 02-<br>-775B | 315T3206-36    |                     | ..FITTING ASSY-V GROOVE<br>(USED ON ITEMS 505U,<br>505X, 505Y, 505Z, 506)  | R,U,W<br>,X,AC<br>,AD,A<br>S,AU,<br>AX,AZ<br>BC,BD<br>,BG,B<br>H,BL,<br>BM,BQ<br>,BR<br>BU,BV<br>,BY,B<br>Z | 1            |
| -775C        | 315T3206-40    |                     | ..FITTING ASSY-V GROOVE<br>(USED ON ITEMS 506A,<br>506B, 506C, 506D, 506E)   | BU,BV<br>,BY,B<br>Z   | 1            |
| 780          | BACR15CE3D     |                     | ...RIVET-<br>(SIZE DETERMINE ON INST)  | A-F,<br>H-N,Q<br>,R,<br>T-AA,<br>AC-BZ  | 24           |
| 785          | NS103191SE02-2 |                     | ...NUTPLATE-<br>(V80539)<br>(SPEC BACN10KE3B2CM)<br>(OPT F51747-3-2DL<br>(V15653))<br>(OPT 104F9213-2-3<br>(V72962))<br>(OPT 104F9213-2-3<br>(V72962))<br>(USED ON ITEMS 770,<br>770A, 770B, 770C, 775,<br>775A, 775B) | A-F,<br>H-N,Q<br>,R,<br>T-AA,<br>AC-BZ  | 12           |

71-11-56

ILLUSTRATED PARTS LIST  
01.1 Page 1039  
Nov 01/04

| FIG. & ITEM  | PART NO.    | AIRLINE PART NUMBER | NOMENCLATURE<br>1234567                       | EFF CODE  | QTY PER ASSY |
|--------------|-------------|---------------------|---|---|--------------|
| 02-<br>-785A | BACN103B2CD |                     | ...NUTPLATE-<br>(USED ON ITEMS 770D,<br>775C) | A-F,<br>H-N,Q<br>,R,<br>T-AA,<br>AC-BZ  | 12           |
| 790          | 315T3206-21 |                     | ...FITTING-<br>(USED ON ITEM 770)             | A-D,<br>J-N,V<br>,Y,Z,<br>AE,AF<br>,AJ,A<br>K<br>AN-AR<br>,AW,A<br>Y,BA,<br>BB,BE<br>,BF<br>BJ,BK<br>,BN,B<br>P | 1            |
| -790A        | 315T3206-27 |                     | ...FITTING-<br>(USED ON ITEM 770A)            | A-D,<br>J-N,V<br>,Y,Z,<br>AE,AF<br>,AJ,A<br>K<br>AN-AR<br>,AW,A<br>Y,BA,<br>BB,BE<br>,BF<br>BJ,BK<br>,BN,B<br>P | 1            |

# 71-11-56

 ILLUSTRATED PARTS LIST  
 01.1 Page 1040  
 Nov 01/04

**BOEING**  
COMPONENT  
MAINTENANCE MANUAL

| FIG. & ITEM  | PART NO.    | AIRLINE PART NUMBER | NOMENCLATURE<br>1234567            | EFF CODE  | QTY PER ASSY |
|--------------|-------------|---------------------|------------------------------------|---|--------------|
| 02-<br>-790B | 315T3206-33 |                     | ...FITTING-<br>(USED ON ITEM 770B) | K,L,N<br>,V,Y,<br>Z,AN,<br>AQ,AW<br>,AY<br>BA,BB<br>,BE,B<br>F,BJ,<br>BK,BN<br>,BP  | 1            |
| -790C        | 315T3206-37 |                     | ...FITTING-<br>(USED ON ITEM 770C) | K,L,N<br>,V,Y,<br>Z,AN,<br>AQ,AW<br>,AY<br>BA,BB<br>,BE,B<br>F,BJ,<br>BK,BN<br>,BP<br>BS,BT<br>,BW,B<br>X                           | 1            |
| -790D        | 315T3206-41 |                     | ...FITTING-<br>(USED ON ITEM 770D) | BS,BT<br>,BW,B<br>X   | 1            |
| -795         | 315T3206-28 |                     | ...FITTING-<br>(USED ON ITEM 775)  | E,F,H<br>,Q,R,<br>T,U,W<br>,X,AA<br>,AC<br>AD,AG<br>,AH,A<br>L,AM,<br>AS-AV<br>,AX<br>AZ,BC<br>,BD,B<br>G,BH,<br>BL,BM<br>,BQ<br>BR | 1            |

71-11-56

ILLUSTRATED PARTS LIST  
01.1 Page 1040A  
Nov 01/04

| FIG. & ITEM  | PART NO.        | AIRLINE PART NUMBER | NOMENCLATURE<br>1234567            | EFF CODE   | QTY PER ASSY |
|--------------|-----------------|---------------------|------------------------------------|--|--------------|
| 02-<br>-795A | 315T3206-34     |                     | ...FITTING-<br>(USED ON ITEM 775A) | R,U,W<br>,X,AC<br>,AD,A<br>,S,AU,<br>AX,AZ<br>BC,BD<br>,BG,B<br>H,BL,<br>BM,BQ<br>,BR                        | 1            |
| -795B        | 315T3206-38     |                     | ...FITTING-<br>(USED ON ITEM 775B) | R,U,W<br>,X,AC<br>,AD,A<br>,S,AU,<br>AX,AZ<br>BC,BD<br>,BG,B<br>H,BJ,<br>BK,BQ<br>,BR<br>BU,BV<br>,BY,B<br>Z | 1            |
| -795C        | 315T3206-42     |                     | ...FITTING-<br>(USED ON ITEM 775C) | BU,BV<br>,BY,B<br>Z  | 1            |
| 800          | MS21141-0606P   |                     | ..FASTENER                         | A-F,<br>H-N,Q<br>,R,<br>T-AA,<br>AC-BZ   | 2            |
| 805          | BACS40R010C020F |                     | ..SHIM                             | A-F,<br>H-N,Q<br>,R,<br>T-AA,<br>AC-BZ   | 1            |

# 71-11-56

 ILLUSTRATED PARTS LIST  
 01.1 Page 1040B  
 Nov 01/04





**BOEING**  
COMPONENT  
MAINTENANCE MANUAL

| FIG. & ITEM | PART NO. | AIRLINE PART NUMBER | NOMENCLATURE<br>1234567   | EFF CODE  | QTY PER ASSY |
|-------------|----------|---------------------|---|---|--------------|
| 02-810      | L8006K6  |                     | ..BOLT-<br>(V06725)<br>(SPEC BACB30MY6K6)<br>(OPT HL10VAZ6-6<br>(VOPTK6))<br>(USED ON ITEMS 500A,<br>500B, 500C, 500D, 500E,<br>500F, 500G, 500H, 500K,<br>500L, 500M, 500N, 500P,<br>500Q, 500R, 500S, 500T,<br>500U, 500V, 500W, 500X,<br>500Y) | A-D,<br>J-N,V<br>,Y,Z,<br>AE,AF<br>,AJ,A<br>K<br>AN-AR<br>,AW,A<br>Y,BA,<br>BB,BE<br>,BF<br>BJ,BK<br>,BN,B<br>P,BS,<br>BT,BW<br>,BX                     | 4            |
| -810A       | L8006K6  |                     | ..BOLT-<br>(V06725)<br>(SPEC BACB30MY6K6)<br>(OPT HL10VAZ6-6<br>(VOPTK6))<br>(USED ON ITEMS 505A,<br>505B, 505C, 505D, 505E,<br>505F, 505G, 505H, 505K,<br>505L, 505M, 505N, 505P,<br>505Q, 505R, 505S, 505T,<br>5005, 5005, 5005, 5005,<br>505Y) | E,F,H<br>,Q,R,<br>T,U,W<br>,X,AA<br>,AC<br>AD,AG<br>,AH,A<br>L,AM,<br>AS-AV<br>,AX<br>AZ,BC<br>,BD,B<br>G,BH,<br>BL,BM<br>,BQ<br>BR,BU<br>,BV,B<br>Y,BZ | 4            |

71-11-56

ILLUSTRATED PARTS LIST  
01.1 Page 1040C  
Nov 01/04

| FIG. & ITEM  | PART NO.    | AIRLINE PART NUMBER | NOMENCLATURE<br>1234567   | EFF CODE  | QTY PER ASSY |
|--------------|-------------|---------------------|---|---|--------------|
| 02-<br>-810B | L8006K6     |                     | ..BOLT-<br>(V06725)<br>(SPEC BACB30MY6K6)<br>(OPT HL10VAZ6-6<br>(VOPTK6))<br>(LIMITED)<br>(USED ON ITEMS 500Z,<br>501, 501A, 501B, 505Z,<br>506, 506A, 506B)  | BS-BZ   | 4            |
| -810C        | BACB30MY6K5 |                     | ..BOLT-<br>(LIMITED)<br>(USED ON ITEMS 500Z,<br>501, 501A, 501B, 505Z,<br>506, 506A, 506B)  | BS-BZ   | 4            |
| -810D        | BACB30MY6K5 |                     | ..BOLT-<br>(USED ON ITEMS 501C,<br>501D, 501E, 506C, 506D,<br>506E)   | BS-BZ   | 4            |
| 815          | L8006K6     |                     | ..BOLT-<br>(V06725)<br>(SPEC BACB30MY6K6)<br>(OPT HL10VAZ6-6<br>(VOPTK6))<br>(USED ON ITEMS 500A,<br>500B, 500C, 500D, 500E,<br>500F, 500G, 500H, 500K,<br>500L, 500M, 500N, 500P,<br>500Q, 500R, 500S, 500T,<br>500U, 500V, 500W, 500X,<br>500Y) | A-D,<br>J-N,V<br>,Y,Z,<br>AE,AF<br>,AJ,A<br>K<br>AN-AR<br>,AW,A<br>Y,BA,<br>BB,BE<br>,BF<br>BJ,BK<br>,BN,B<br>P,BS,<br>BT,BW<br>,BX | 7            |

# 71-11-56

 ILLUSTRATED PARTS LIST  
 01.1 Page 1040D  
 Nov 01/04



**BOEING**  
COMPONENT  
MAINTENANCE MANUAL

| FIG. & ITEM  | PART NO.    | AIRLINE PART NUMBER | NOMENCLATURE<br>1234567   | EFF CODE   | QTY PER ASSY |
|--------------|-------------|---------------------|---|--|--------------|
| 02-<br>-815A | L8006K6     |                     | ..BOLT-<br>(V06725)<br>(SPEC BACB30MY6K6)<br>(OPT HL10VAZ6-6<br>(VOPTK6))<br>(USED ON ITEMS 505A,<br>505B, 505C, 505D, 505E,<br>505F, 505G, 505H, 505K,<br>505L, 505M, 505N, 505P,<br>505Q, 505R, 505S, 505T,<br>5005, 5005, 5005, 5005,<br>505Y) | E, F, H<br>, Q, R,<br>T, U, W<br>, X, AA<br>, AC<br>AD, AG<br>, AH, A<br>L, AM,<br>AS-AV<br>, AX<br>AZ, BC<br>, BD, B<br>G, BH,<br>BL, BM<br>, BQ<br>BR, BU<br>, BV, B<br>Y, BZ<br>BS-BZ | 7            |
| -815B        | L8006K6     |                     | ..BOLT-<br>(V06725)<br>(SPEC BACB30MY6K6)<br>(OPT HL10VAZ6-6<br>(VOPTK6))<br>(LIMITED)<br>(USED ON ITEMS 500Z,<br>501, 501A, 501B, 505Z,<br>506, 506A, 506B)  | BS-BZ  | 7            |
| -815C        | BACB30MY6K4 |                     | ..BOLT-<br>(LIMITED)<br>(USED ON ITEMS 500Z,<br>501, 501A, 501B, 505Z,<br>506, 506A, 506B)  | BS-BZ  | 7            |
| -815D        | BACB30MY6K4 |                     | ..BOLT-<br>(USED ON ITEMS 501C,<br>501D, 501E, 506C, 506D,<br>506E)   | BS-BZ  | 7            |

71-11-56

ILLUSTRATED PARTS LIST  
01.1 Page 1040E  
Nov 01/04

| FIG. & ITEM | PART NO.    | AIRLINE PART NUMBER | NOMENCLATURE   | EFF CODE  | QTY PER ASSY |
|-------------|-------------|---------------------|--|---|--------------|
| 02-820      | BACB30MY6K7 |                     | 1234567<br>..BOLT-<br>(USED ON ITEMS 500A,<br>500B, 500C, 500D, 500E,<br>500F, 500G, 500H, 500K,<br>500L, 500M, 500N, 500P,<br>500Q, 500R, 500S, 500T,<br>500U, 500V, 500W, 500X,<br>500Y) | A-D,<br>J-N,V<br>,Y,Z,<br>AE,AF<br>,AJ,A<br>K<br>AN-AR<br>,AW,A<br>Y,BA,<br>BB,BE<br>,BF<br>BJ,BK<br>,BN,B<br>P,BS,<br>BT,BW<br>,BX                     | 2            |
| -820A       | BACB30MY6K7 |                     | ..BOLT-<br>(USED ON ITEMS 505A,<br>505B, 505C, 505D, 505E,<br>505F, 505G, 505H, 505K,<br>505L, 505M, 505N, 505P,<br>505Q, 505R, 505S, 505T,<br>505U, 505V, 505W, 505X,<br>505Y)            | E,F,H<br>,Q,R,<br>T,U,W<br>,X,AA<br>,AC<br>AD,AG<br>,AH,A<br>L,AM,<br>AS-AV<br>,AX<br>AZ,BC<br>,BD,B<br>G,BH,<br>BL,BM<br>,BQ<br>BR,BU<br>,BV,B<br>Y,BZ | 2            |

# 71-11-56

 ILLUSTRATED PARTS LIST  
 01.1 Page 1040F  
 Nov 01/04

**BOEING**  
COMPONENT  
MAINTENANCE MANUAL

| FIG. & ITEM  | PART NO.     | AIRLINE PART NUMBER | NOMENCLATURE<br>1234567  | EFF CODE                               | QTY PER ASSY |
|--------------|--------------|---------------------|--|--|--------------|
| 02-<br>-820B | BACB30MY6K7  |                     | ..BOLT-<br>(LIMITED)<br>(USED ON ITEMS 500Z,<br>501, 501A, 501B, 505Z,<br>506, 506A, 506B)   | BS-BZ                                  | 2            |
| -820C        | BACB30MY6K5  |                     | ..BOLT-<br>(LIMITED)<br>(USED ON ITEMS 500Z,<br>501, 501A, 501B, 505Z,<br>506, 506A, 506B)   | BS-BZ                                  | 2            |
| -820D        | BACB30MY6K5  |                     | ..BOLT-<br>(USED ON ITEMS 501C,<br>501D, 501E, 506C, 506D,<br>506E)  | BS-BZ                                  | 2            |
| 825          | HL79-6       |                     | ..COLLAR-<br>(V5M902)<br>(SPEC BACC30M6)<br>(OPT HL79-6<br>(V73197))<br>(OPT HL79-6<br>(V92215))<br>(OPT 66014-6<br>(V56878))<br>(OPT HL79-6<br>(V56878))  | A-F,<br>H-N,Q<br>,R,<br>T-AA,<br>AC-BZ | 13           |
| 826          | NAS1801-5-14 |                     | ..BOLT-<br>(USED ON ITEMS 500B,<br>500C, 500D, 500E, 500F,<br>500G, 505B, 505C, 505D,<br>505E, 505F, 505G)   | A-F,<br>H-N,Q<br>,R,<br>T-AA,<br>AC-BZ | 1            |
| -826A        | NAS1801-5-14 |                     | ..BOLT-<br>(USED ON ITEMS 500H,<br>500K, 500L, 500M, 500N,<br>500P, 500Q, 500R, 500S,<br>500T, 500U, 500V, 500W,<br>500X, 500Y, 500Z, 501,<br>501A, 501B, 501C, 501D,<br>501E, 505H, 505K, 505L,<br>505M, 505N, 505P, 505Q,<br>505R, 505S, 505T, 505U,<br>505V, 505W, 505X, 505Y,<br>505Z, 506, 506A, 506B,<br>506C, 506D, 506E) | A-F,<br>H-N,Q<br>,R,<br>T-AA,<br>AC-BZ | 1            |

71-11-56

ILLUSTRATED PARTS LIST  
01.1 Page 1040G  
Nov 01/04

| FIG. & ITEM | PART NO.     | AIRLINE PART NUMBER | NOMENCLATURE<br>1234567  | EFF CODE                               | QTY PER ASSY |
|-------------|--------------|---------------------|--|--|--------------|
| 02-826H     | NAS1801-3-14 |                     | ..SCREW-<br>(USED ON ITEMS 500H,<br>500K, 500L, 500M, 500N,<br>500P, 500Q, 500R, 500S,<br>500T, 500U, 500V, 500W,<br>500X, 500Y, 500Z, 501,<br>501A, 501B, 501C, 501D,<br>501E, 505H, 505K, 505L,<br>505M, 505N, 505P, 505Q,<br>505R, 505S, 505T, 505U,<br>505V, 505W, 505X, 505Y,<br>505Z, 506, 506A, 506B,<br>506C, 506D, 506E)        | A-F,<br>H-N,Q<br>,R,<br>T-AA,<br>AC-BZ | 1            |
| 826M        | MS35338-45   |                     | ..WASHER-<br>(USED ON ITEMS 500B,<br>500C, 500D, 500E, 500F,<br>500G, 505B, 505C, 505D,<br>505E, 505F, 505G)   | A-F,<br>H-N,Q<br>,R,<br>T-AA,<br>AC-BZ | 1            |
| -826N       | MS35338-45   |                     | ..WASHER-<br>(USED ON ITEMS 500H,<br>500K, 500L, 500M, 500N,<br>500P, 500Q, 500R, 500S,<br>500T, 500U, 500V, 500W,<br>500X, 500Y, 500Z, 501,<br>501A, 501B, 501C, 501D,<br>501E, 505H, 505K, 505L,<br>505M, 505N, 505P, 505Q,<br>505R, 505S, 505T, 505U,<br>505V, 505W, 505X, 505Y,<br>505Z, 506, 506A, 506B,<br>506C, 506D, 506E)       | A-F,<br>H-N,Q<br>,R,<br>T-AA,<br>AC-BZ | 1            |
| 826T        | MS35338-43   |                     | ..WASHER-<br>(USED ON ITEMS 500H,<br>500J, 500K, 500L, 500N,<br>500P, 500Q, 500R, 500S,<br>500T, 500U, 500V, 500W,<br>500X, 500Y, 500Z, 501,<br>501A, 501B, 501C, 501D,<br>501E, 505H, 505J, 505K,<br>505L, 505M, 505N, 505P,<br>505Q, 505R, 505S, 505T,<br>505U, 505V, 505W, 505X,<br>505Y, 505Z, 506, 506A,<br>506B, 506C, 506D, 506E) | A-F,<br>H-N,Q<br>,R,<br>T-AA,<br>AC-BZ | 1            |

# 71-11-56

 ILLUSTRATED PARTS LIST  
 01.1 Page 1040H  
 Nov 01/04

 **BOEING**  
COMPONENT  
MAINTENANCE MANUAL

| FIG. & ITEM | PART NO.     | AIRLINE PART NUMBER | NOMENCLATURE<br>1234567  | EFF CODE                               | QTY PER ASSY |
|-------------|--------------|---------------------|--|--|--------------|
| 02-827      | AN960D516L   |                     | ..WASHER-<br>(USED ON ITEMS 500B,<br>500C, 500D, 500E, 500F,<br>500G, 505B, 505C, 505D,<br>505E, 505F, 505G)   | A-F,<br>H-N,Q<br>,R,<br>T-AA,<br>AC-BZ | 2            |
| -827A       | AN960D516L   |                     | ..WASHER-<br>(USED ON ITEMS 500H,<br>500K, 500L, 500M, 500N,<br>500P, 500Q, 500R, 500S,<br>500T, 500U, 500V, 500W,<br>500X, 500Y, 500Z, 501,<br>501A, 501B, 501C, 501D,<br>501E, 505H, 505K, 505L,<br>505M, 505N, 505P, 505Q,<br>505R, 505S, 505T, 505U,<br>505V, 505W, 505X, 505Y,<br>505Z, 506, 506A, 506B,<br>506C, 506D, 506E) | A-F,<br>H-N,Q<br>,R,<br>T-AA,<br>AC-BZ | 1            |
| 827H        | AN960D10L    |                     | ..WASHER-<br>(USED ON ITEMS 500H,<br>500K, 500L, 500M, 500N,<br>500P, 500Q, 500R, 500S,<br>500T, 500U, 500V, 500W,<br>500X, 500Y, 500Z, 501,<br>501A, 501B, 501C, 501D,<br>501E, 505H, 505K, 505L,<br>505M, 505N, 505P, 505Q,<br>505R, 505S, 505T, 505U,<br>505V, 505W, 505X, 505Y,<br>505Z, 506, 506A, 506B,<br>506C, 506D, 506E) | A-F,<br>H-N,Q<br>,R,<br>T-AA,<br>AC-BZ | 1            |
| 827M        | MS35650-331J |                     | ..NUT-<br>(USED ON ITEMS 500B,<br>500C, 500D, 500E, 500F,<br>500G, 505B, 505C, 505D,<br>505E, 505F, 505G)  | A-F,<br>H-N,Q<br>,R,<br>T-AA,<br>AC-BZ | 1            |

71-11-56

ILLUSTRATED PARTS LIST  
01.1 Page 1040I  
Nov 01/04

| FIG. & ITEM  | PART NO.     | AIRLINE PART NUMBER | NOMENCLATURE<br>1234567   | EFF CODE   | QTY PER ASSY |
|--------------|--------------|---------------------|---|--|--------------|
| 02-<br>-827N | MS35650-331J |                     | ..NUT-<br>(USED ON ITEMS 500H,<br>500K, 500L, 500M, 500N,<br>500P, 500Q, 500R, 500S,<br>500T, 500U, 500V, 500W,<br>500X, 500Y, 500Z, 501,<br>501A, 501B, 501C, 501D,<br>501E, 505H, 505K, 505L,<br>505M, 505N, 505P, 505Q,<br>505R, 505S, 505T, 505U,<br>505V, 505W, 505X, 505Y,<br>505Z, 506, 506A, 506B,<br>506C, 506D, 506E) | A-F,<br>H-N,Q<br>,R,<br>T-AA,<br>AC-BZ                                       | 1            |
| 827T         | MS35650-305S |                     | ..NUT-<br>(USED ON ITEMS 500H,<br>500K, 500L, 500M, 500N,<br>500P, 500Q, 500R, 500S,<br>500T, 500U, 500V, 500W,<br>500X, 500Y, 500Z, 501,<br>501A, 501B, 501C, 501D,<br>501E, 505H, 505K, 505L,<br>505M, 505N, 505P, 505Q,<br>505R, 505S, 505T, 505U,<br>505V, 505W, 505X, 505Y,<br>505Z, 506, 506A, 506B,<br>506C, 506D, 506E) | A-F,<br>H-N,Q<br>,R,<br>T-AA,<br>AC-BZ                                       | 1            |
| 828          | 315T3202-91  |                     | ..ANGLE-<br>(USED ON ITEM 500A)   | A-D,<br>J-N,Y<br>,AE,A<br>F,AJ,<br>AK,AP<br>AR,AW<br>,AY                     | 1            |
| -828M        | 315T3202-92  |                     | ..ANGLE-<br>(USED ON ITEM 505A)   | E,F,H<br>,Q,R,<br>T,U,W<br>,AA,A<br>C,AG<br>AH,AL<br>,AM,A<br>T,AV,<br>AX,AZ | 1            |

# 71-11-56

 ILLUSTRATED PARTS LIST  
 01.1 Page 1040J  
 Nov 01/04



 **BOEING**  
COMPONENT  
MAINTENANCE MANUAL

| FIG. & ITEM | PART NO.     | AIRLINE PART NUMBER | NOMENCLATURE<br>1234567   | EFF CODE  | QTY PER ASSY |
|-------------|--------------|---------------------|---|---|--------------|
| 02-829      | 315T3202-177 |                     | ..ANGLE-<br>(USED ON ITEMS 500B,<br>500C, 500D, 500E, 500F,<br>500G)  | A-D,<br>J-N,V<br>,Y,Z,<br>AE,AF<br>,AJ,A<br>K<br>AN-AR<br>,AW,A<br>Y,BA,<br>BB,BE<br>,BF<br>BJ,BK<br>,BN,B<br>P                     | 1            |
| -829A       | 315T3202-193 |                     | ..ANGLE-<br>(USED ON ITEMS 500H,<br>500K, 500L, 500M, 500N,<br>500P, 500Q, 500R, 500S,<br>500T, 500U, 500V, 500W,<br>500X, 500Y, 500Z, 501,<br>501A, 501B, 501C, 501D,<br>501E) | K,L,N<br>,V,Y,<br>Z,AN,<br>AQ,AW<br>,AY<br>BA,BB<br>,BE,B<br>F,BJ,<br>BK,BN<br>,BP<br>BS,BT<br>,BW,B<br>X                           | 1            |
| -829M       | 315T3202-178 |                     | ..ANGLE-<br>(USED ON ITEMS 505B,<br>505C, 505D, 505E, 505F,<br>505G)  | E,F,H<br>,Q,R,<br>T,U,W<br>,X,AA<br>,AC<br>AD,AG<br>,AH,A<br>L,AM,<br>AS-AV<br>,AX<br>AZ,BC<br>,BD,B<br>G,BH,<br>BL,BM<br>,BQ<br>BR | 1            |

71-11-56

ILLUSTRATED PARTS LIST  
01.1 Page 1040K  
Nov 01/04

| FIG. & ITEM  | PART NO.        | AIRLINE PART NUMBER | NOMENCLATURE<br>1234567   | EFF CODE   | QTY PER ASSY |
|--------------|-----------------|---------------------|---|--|--------------|
| 02-<br>-829N | 315T3202-194    |                     | ..ANGLE-<br>(USED ON ITEMS 505H,<br>505K, 505L, 505M, 505N,<br>505P, 505Q, 505R, 505S,<br>505T, 505U, 505V, 505W,<br>505X, 505Y, 505Z, 506,<br>506A, 506B, 506C, 506D,<br>506E) | R,U,W<br>,X,AC<br>,AD,A<br>,S,AU,<br>AX,AZ<br>BC,BD<br>,BG,B<br>H,BL,<br>BM,BQ<br>,BR<br>BU,BV<br>,BY,B<br>Z | 1            |
| 830          | BACB30LM3-5     |                     | ..BOLT  | A-F,<br>H-N,Q<br>,R,<br>T-AA,<br>AC-BZ   | 4            |
| 835          | AN96OKD10L      |                     | ..WASHER  | A-F,<br>H-N,Q<br>,R,<br>T-AA,<br>AC-BZ   | 4            |
| 840          | NAS1804-3       |                     | ..NUT   | A-F,<br>H-N,Q<br>,R,<br>T-AA,<br>AC-BZ   | 4            |
| 845          | BACR15DR3A3D    |                     | ..RIVET   | A-F,<br>H-N,Q<br>,R,<br>T-AA,<br>AC-BZ   | 3            |
| 850          | PLT1001-5-5     |                     | ..BOLT-<br>(V98524)<br>(SPEC BACB30CC5-5)<br>(OPT PLT1001-5-5<br>(V92215))<br>(OPT P164-5<br>(V98524))  | A-F,<br>H-N,Q<br>,R,<br>T-AA,<br>AC-BZ   | 2            |
| 855          | BACS40R009C030F |                     | ..SHIM  | A-F,<br>H-N,Q<br>,R,<br>T-AA,<br>AC-BZ   | 1            |

# 71-11-56

 ILLUSTRATED PARTS LIST  
 01.1 Page 1040L  
 Nov 01/04

 **BOEING**  
COMPONENT  
MAINTENANCE MANUAL

| FIG. & ITEM | PART NO.      | AIRLINE PART NUMBER | NOMENCLATURE<br>1234567  | EFF CODE                               | QTY PER ASSY |
|-------------|---------------|---------------------|--|--|--------------|
| 02-860      | MS21141-0607P |                     | ..FASTENER-<br>(USED ON ITEMS 500A,<br>500B, 500C, 500D, 500E,<br>500F, 500G, 500H, 500K,<br>500L, 500M, 500N, 500P,<br>500Q, 500R, 500S, 500T,<br>500U, 500V, 500W, 500X,<br>500Y, 500Z, 501, 501A,<br>505A, 505B, 505C, 505D,<br>505E, 505F, 505G, 505H,<br>505K, 505L, 505M, 505N,<br>505P, 505Q, 505R, 505S,<br>505T, 505U, 505V, 505W,<br>505X, 505Y, 505Z, 506,<br>506A) | A-F,<br>H-N,Q<br>,R,<br>T-AA,<br>AC-BZ | 2            |
| -860A       | MS21141U0607P |                     | ..FASTENER-<br>(USED ON ITEMS 501B,<br>501C, 501D, 501E, 506B,<br>506C, 506D, 506E)  | BS-BZ                                  | 2            |
| 865         | MS21141-0606P |                     | ..FASTENER-<br>(USED ON ITEMS 500A,<br>500B, 500C, 500D, 500E,<br>500F, 500G, 500H, 500K,<br>500L, 500M, 500N, 500P,<br>500Q, 500R, 500S, 500T,<br>500U, 500V, 500W, 500X,<br>500Y, 500Z, 501, 501A,<br>505A, 505B, 505C, 505D,<br>505E, 505F, 505G, 505H,<br>505K, 505L, 505M, 505N,<br>505P, 505Q, 505R, 505S,<br>505T, 505U, 505V, 505W,<br>505X, 505Y, 505Z, 506,<br>506A) | A-F,<br>H-N,Q<br>,R,<br>T-AA,<br>AC-BZ | 8            |
| -865A       | MS21141U0606P |                     | ..FASTENER-<br>(USED ON ITEMS 501B,<br>501C, 501D, 501E, 506B,<br>506C, 506D, 506E)  | BS-BZ                                  | 8            |
| -870A       | MS21141U0606P |                     | DELETED  |  |              |

71-11-56

| FIG. & ITEM | PART NO.     | AIRLINE PART NUMBER | NOMENCLATURE  | EFF CODE                               | QTY PER ASSY |
|-------------|--------------|---------------------|---|--|--------------|
|             |              |                     | 1234567   |  |              |
| 02-875      | NAS1399CW6   |                     | ..RIVET-<br>(SIZE DETERMINE ON INST)<br>(USED ON ITEMS 500A,<br>500B, 500C, 500D, 500E,<br>500F, 500G, 500H, 500K,<br>500L, 500M, 500N, 500P,<br>500Q, 500R, 500S, 500T,<br>500U, 500V, 500W, 500X,<br>500Y, 500Z, 501, 501A,<br>505A, 505B, 505C, 505D,<br>505E, 505F, 505G, 505H,<br>505K, 505L, 505M, 505N,<br>505P, 505Q, 505R, 505S,<br>505T, 505U, 505V, 505W,<br>505X, 505Y, 505Z, 506,<br>506A) | A-F,<br>H-N,Q<br>,R,<br>T-AA,<br>AC-BZ | 1            |
| -875A       | NAS1399CW6A3 |                     | ..RIVET-<br>(USED ON ITEMS 501B,<br>501C, 501D, 501E, 506B,<br>506C, 506D, 506E)  | BS-BZ                                  | 1            |
| 880         | BACB30MY8K7  |                     | ..BOLT-<br>(USED ON ITEMS 500A,<br>500B, 500C, 500D, 500E,<br>500F, 500G, 500H, 500K,<br>500L, 500M, 500N, 500P,<br>505A, 505B, 505C, 505D,<br>505E, 505F, 505G, 505H,<br>505K, 505L, 505M, 505N,<br>505P)  | A-F,<br>H-N,Q<br>,R,<br>T-AA,<br>AC-BR | 3            |

# 71-11-56

 ILLUSTRATED PARTS LIST  
 01.1 Page 1040N  
 Nov 01/04

**BOEING**  
COMPONENT  
MAINTENANCE MANUAL

| FIG. & ITEM | PART NO.    | AIRLINE PART NUMBER | NOMENCLATURE<br>1234567  | EFF CODE   | QTY PER ASSY |
|-------------|-------------|---------------------|--|--|--------------|
| 02-885      | HL79-8      |                     | ..COLLAR-<br>(V5M902)<br>(SPEC BACC30M8)<br>(OPT HL79-8<br>(V73197))<br>(OPT HL79-8<br>(V92215))<br>(OPT 66014-8<br>(V56878))<br>(OPT HL79-8<br>(V56878))<br>(USED ON ITEMS 500A,<br>500B, 500C, 500D, 500E,<br>500F, 500G, 500H, 500K,<br>500L, 500M, 500N, 500P,<br>505A, 505B, 505C, 505D,<br>505E, 505F, 505G, 505H,<br>505K, 505L, 505M, 505N,<br>505P) | A-F,<br>H-N,Q<br>,R,<br>T-AA,<br>AC-BR                         | 3            |
| 890         | BACB30MY8K7 |                     | ..BOLT-<br>(USED ON ITEMS 500Q,<br>500R, 500S, 500T, 500V,<br>500W, 505Q, 505R, 505S,<br>505T, 505V, 505W)   | K,L,N<br>,R,<br>U-Z,A<br>C,AD,<br>AN,AQ<br>AS,AU<br>,AW-B<br>R | 2            |
| 895         | HL79-8      |                     | ..COLLAR-<br>(V5M902)<br>(SPEC BACC30M8)<br>(OPT HL79-8<br>(V73197))<br>(OPT HL79-8<br>(V92215))<br>(OPT 66014-8<br>(V56878))<br>(OPT HL79-8<br>(V56878))<br>(USED ON ITEMS 500Q,<br>500R, 500S, 500T, 500V,<br>500W, 505Q, 505R, 505S,<br>505T, 505V, 505W)   | K,L,N<br>,R,<br>U-Z,A<br>C,AD,<br>AN,AQ<br>AS,AU<br>,AW-B<br>R | 2            |

71-11-56

ILLUSTRATED PARTS LIST  
01.1 Page 10400  
Nov 01/04

| FIG. & ITEM | PART NO.       | AIRLINE PART NUMBER | NOMENCLATURE<br>1234567   | EFF CODE   | QTY PER ASSY |
|-------------|----------------|---------------------|---|--|--------------|
| 02-900      | BACB30NR4K7    |                     | ..BOLT-<br>(USED ON ITEMS 500Q,<br>500R, 500S, 500T, 500V,<br>500W, 505Q, 505R, 505S,<br>505T, 505V, 505W)  | K,L,N<br>,R,<br>U-Z,A<br>C,AD,<br>AN,AQ<br>AS,AU<br>,AW-B<br>R | 1            |
| 905         | AN960KD416     |                     | ..WASHER-<br>(USED ON ITEMS 500Q,<br>500R, 500S, 500T, 500V,<br>500W, 505Q, 505R, 505S,<br>505T, 505V, 505W)  | K,L,N<br>,R,<br>U-Z,A<br>C,AD,<br>AN,AQ<br>AS,AU<br>,AW-B<br>R | 1            |
| 910         | BACR15BA3AD    |                     | ..RIVET-<br>(SIZE DETERMINE ON INST)<br>(USED ON ITEMS 500Q,<br>500R, 500S, 500T, 500V,<br>500W, 505Q, 505R, 505S,<br>505T, 505V, 505W)   | K,L,N<br>,R,<br>U-Z,A<br>C,AD,<br>AN,AQ<br>AS,AU<br>,AW-B<br>R | 2            |
| 915         | NS202493-048-1 |                     | ..NUTPLATE-<br>(V80539)<br>(SPEC BACN10KE4ACD)<br>(OPT 102A9212-4<br>(V72962))<br>(OPT F51747-4-1CD<br>(V15653))<br>(OPT BRFR220C4-10<br>(V52828))<br>(USED ON ITEMS 500Q,<br>500R, 500S, 500T, 500V,<br>500W, 505Q, 505R, 505S,<br>505T, 505V, 505W) | K,L,N<br>,R,<br>U-Z,A<br>C,AD,<br>AN,AQ<br>AS,AU<br>,AW-B<br>R | 1            |

# 71-11-56

 ILLUSTRATED PARTS LIST  
 01.1 Page 1040P  
 Nov 01/04



**BOEING**  
COMPONENT  
MAINTENANCE MANUAL

| FIG. & ITEM | PART NO.     | AIRLINE PART NUMBER | NOMENCLATURE<br>1234567  | EFF CODE   | QTY PER ASSY |
|-------------|--------------|---------------------|--|--|--------------|
| 02-920      | BACB30NR4K8  |                     | ..BOLT-<br>(USED ON ITEMS 500U,<br>500X, 500Y, 500Z, 501,<br>501A, 501B, 501C, 501D,<br>501E, 505U, 505X, 505Y,<br>505Z, 506, 506A, 506B,<br>506C, 506D, 506E)               | K,L,N<br>,R,<br>U-Z,A<br>C,AD,<br>AN,AQ<br>AS,AU<br>,AW-B<br>Z | 3            |
| 925         | AN960KD416   |                     | ..WASHER-<br>(USED ON ITEMS 500U,<br>500X, 500Y, 500Z, 501,<br>501A, 501B, 501C, 501D,<br>501E, 505U, 505X, 505Y,<br>505Z, 506, 506A, 506B,<br>506C, 506D, 506E)             | K,L,N<br>,R,<br>U-Z,A<br>C,AD,<br>AN,AQ<br>AS,AU<br>,AW-B<br>Z | 3            |
| 930         | 315T3202-221 |                     | ..STRIP ASSY-NUTPLATE<br>(USED ON ITEMS 500U,<br>500X, 500Y, 500Z, 501,<br>501A, 501B, 501C, 501D,<br>501E, 505U, 505X, 505Y,<br>505Z, 506, 506A, 506B,<br>506C, 506D, 506E) | K,L,N<br>,R,<br>U-Z,A<br>C,AD,<br>AN,AQ<br>AS,AU<br>,AW-B<br>Z | 1            |
| 935         | BACR15BA3AD  |                     | ...RIVET-<br>(SIZE DETERMINE ON INST)  | K,L,N<br>,R,<br>U-Z,A<br>C,AD,<br>AN,AQ<br>AS,AU<br>,AW-B<br>Z | 6            |

71-11-56

ILLUSTRATED PARTS LIST  
01.1 Page 1040Q  
Nov 01/04

| FIG. & ITEM | PART NO.                     | AIRLINE PART NUMBER | NOMENCLATURE<br>1234567  | EFF CODE   | QTY PER ASSY |
|-------------|------------------------------|---------------------|--|--|--------------|
| 02-940      | BRFM20C4D                    |                     | ...NUTPLATE-<br>(V52828)<br>(SPEC BACN10JN4CD)<br>(OPT T8301C428CD<br>(V11815))<br>(OPT 102F9201M4<br>(V72962))<br>(OPT NS202487-048<br>(V80539))<br>(OPT MF51637-4<br>(V15653))<br>(OPT T8124S4S<br>(V11815)) | K,L,N<br>,R,<br>U-Z,A<br>C,AD,<br>AN,AQ<br>AS,AU<br>,AW-B<br>Z | 3            |
| 945         | BACF3H09GP030HN              |                     | ...FILLER  | K,L,N<br>,R,<br>U-Z,A<br>C,AD,<br>AN,AQ<br>AS,AU<br>,AW-B<br>Z | 1            |
| 950         | BACS40R010C031F              |                     | ..SHIM   | A-F,<br>H-N,Q<br>,R,<br>T-AA,<br>AC-BZ                         | 1            |
| 955         | BACS40R008C030F              |                     | ..SHIM   | A-F,<br>H-N,Q<br>,R,<br>T-AA,<br>AC-BZ                         | 2            |
| 960         | BACR15DR3A3D                 |                     | ..RIVET-<br>(SIZE DETERMINE ON INST)<br>(USED ON ITEMS 501B,<br>501C, 501D, 501E, 506B,<br>506C, 506D, 506E)   | BS-BZ  | 3            |
| 964         | BACB30CL5-5                  |                     | ..BOLT-<br>(USED ON ITEMS 501B,<br>506B)   | BS-BZ  | 2            |
| 968<br>968A | NAS1338CW6A3<br>NAS1399CW6A3 |                     | DELETED<br>..RIVET-<br>(USED ON ITEMS 501B,<br>501C, 501D, 501E, 506B,<br>506C, 506D, 506E)  | BS-BZ  | 159          |

# 71-11-56

 ILLUSTRATED PARTS LIST  
 01.1 Page 1040R  
 Nov 01/04



 **BOEING**  
COMPONENT  
MAINTENANCE MANUAL

| FIG. & ITEM | PART NO.     | AIRLINE PART NUMBER | NOMENCLATURE<br>1234567  | EFF CODE            | QTY PER ASSY |
|-------------|--------------|---------------------|--|---------------------|--------------|
| 02-         |              |                     |  |                     |              |
| -972        | NAS1338CW6A7 |                     | DELETED  |                     |              |
| -972A       | NAS1338CW6A3 |                     | DELETED  |                     |              |
| 972B        | NAS1399CW6A7 |                     | ..RIVET-<br>(USED ON ITEMS 501B,<br>506B)  | BS-BZ               | 2            |
| -972C       | NAS1399CW6A3 |                     | ..RIVET-<br>(USED ON ITEMS 501C,<br>501D, 501E, 506C, 506D,<br>506E)   | BS-BZ               | 2            |
| 976         | PLT1001-6-4  |                     | ..BOLT-<br>(V98524)<br>(SPEC BACB30CC6-4)<br>(OPT PLT1001-6-4<br>(V92215))<br>(OPT P200-4<br>(V98524))<br>(USED ON ITEMS 501B,<br>501C, 501D, 501E, 506B,<br>506C, 506D, 506E) | BS-BZ               | 3            |
| 980         | 315T3202-237 |                     | ..FAIRING ASSY-BULLNOSE<br>(USED ON ITEM 501B)   | BS,BT<br>,BW,B<br>X | 1            |
| -980A       | 315T3202-247 |                     | ..FAIRING ASSY-BULLNOSE<br>(USED ON ITEMS 501C,<br>501D, 501E)   | BS,BT<br>,BW,B<br>X | 1            |
| -984        | 315T3202-238 |                     | ..FAIRING ASSY-BULLNOSE<br>(USED ON ITEM 506B)   | BU,BV<br>,BY,B<br>Z | 1            |
| -984A       | 315T3202-248 |                     | ..FAIRING ASSY-BULLNOSE<br>(USED ON ITEMS 506C,<br>506D, 506E)   | BU,BV<br>,BY,B<br>Z | 1            |
| 988         | 315T3202-138 |                     | ...DOUBLER   | BS-BZ               | 1            |
| 992         | 315T3202-241 |                     | ...FAIRING-<br>(USED ON ITEM 980)  | BS,BT<br>,BW,B<br>X | 1            |
| -992A       | 315T3202-249 |                     | ...FAIRING-<br>(USED ON ITEM 980A)   | BS,BT<br>,BW,B<br>X | 1            |
| -996        | 315T3202-242 |                     | ...FAIRING-<br>(USED ON ITEM 984)  | BU,BV<br>,BY,B<br>Z | 1            |

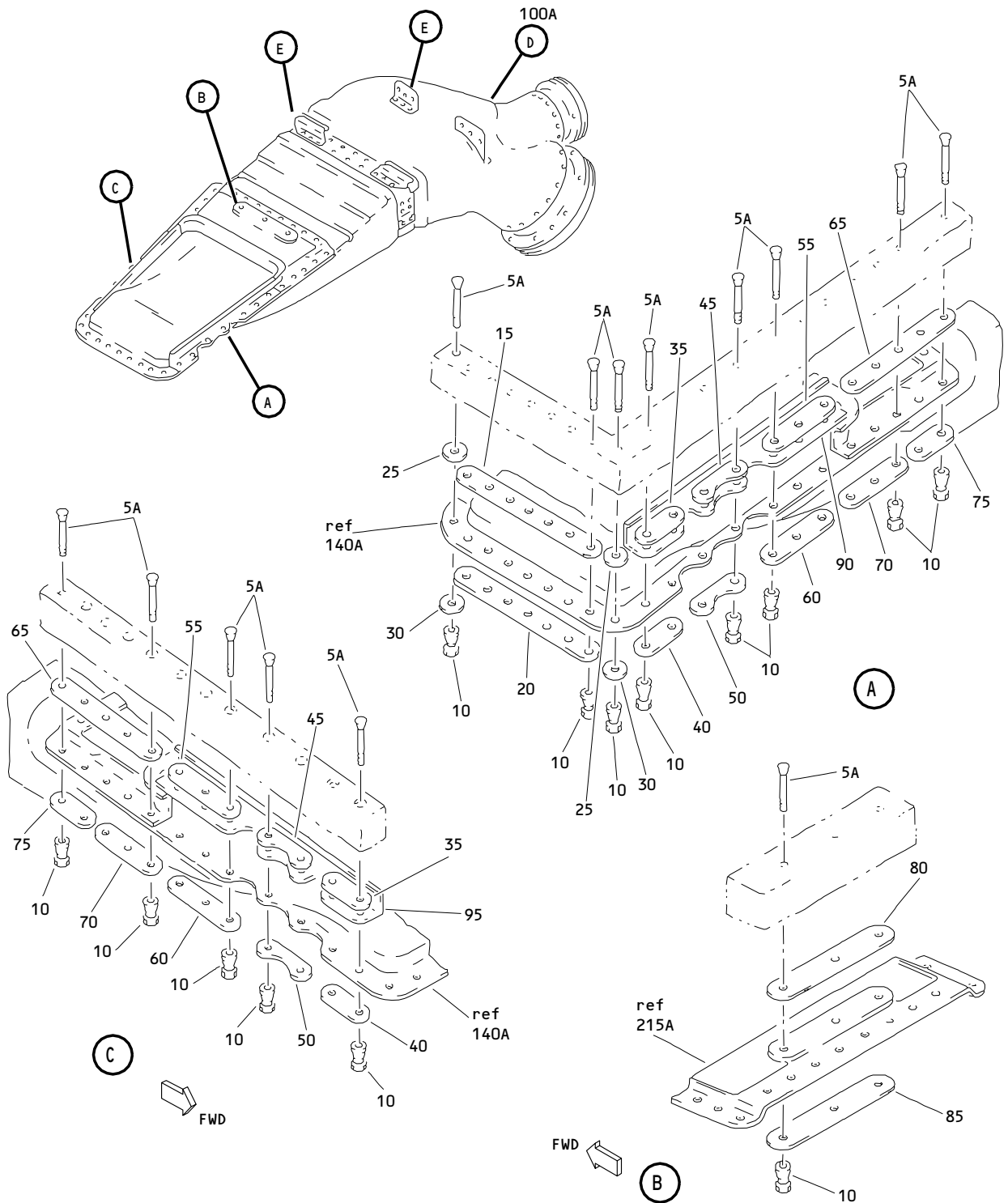
71-11-56

ILLUSTRATED PARTS LIST  
01.1 Page 1040S  
Nov 01/04

| FIG. & ITEM | PART NO.     | AIRLINE PART NUMBER | NOMENCLATURE                                      | EFF CODE               | QTY PER ASSY |
|-------------|--------------|---------------------|---|------------------------|--------------|
| 02-996A     | 315T3202-250 |                     | 1234567<br><br>...FAIRING-<br>(USED ON ITEM 984A) | BU, BV<br>, BY, B<br>Z | 1            |

- Item Not Illustrated

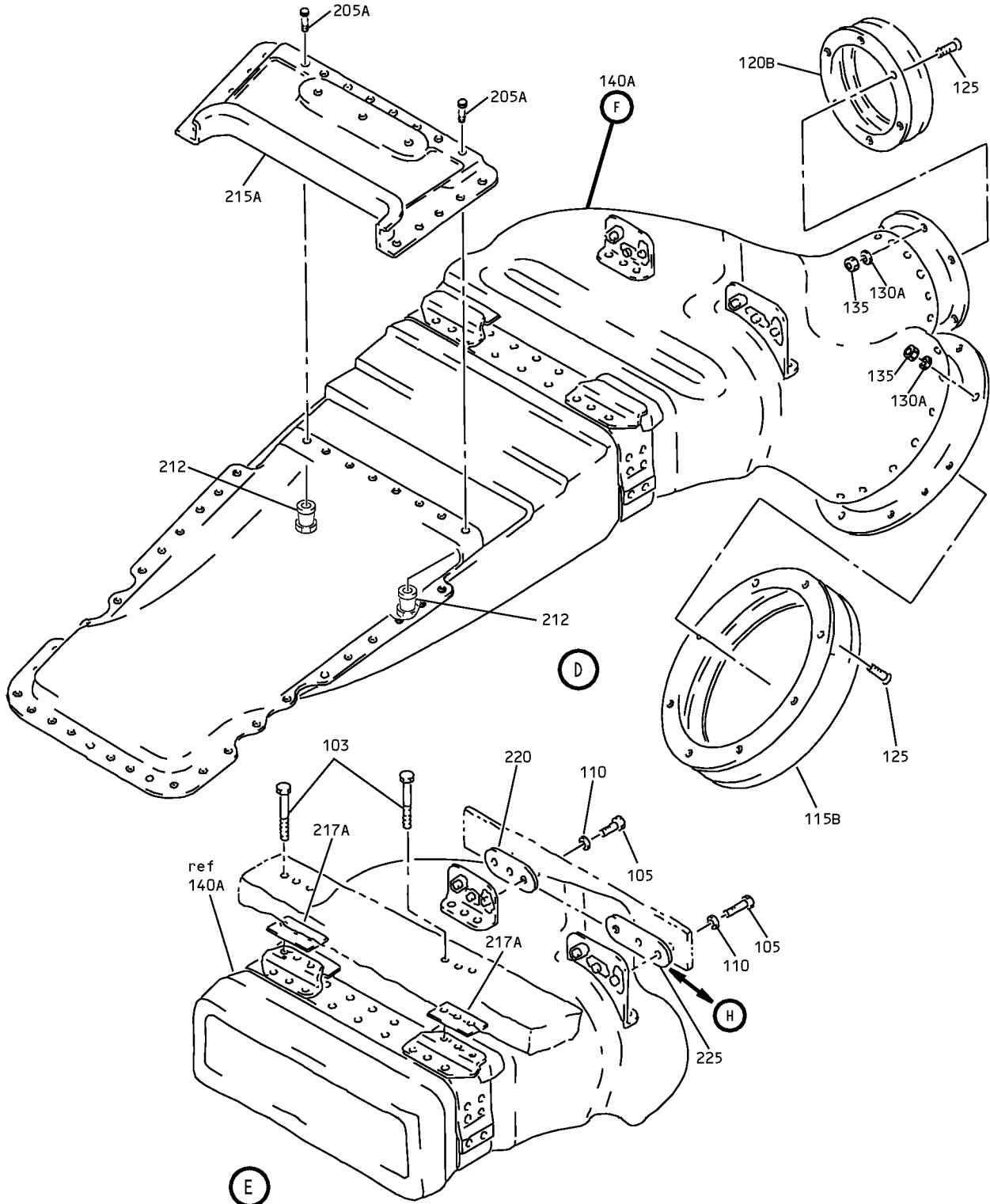
**71-11-56**



Duct Instl - Eng Outbd and Inbd Side Fan Duct Inlet Precooler  
Figure 3 (Sheet 1)

**71-11-56**

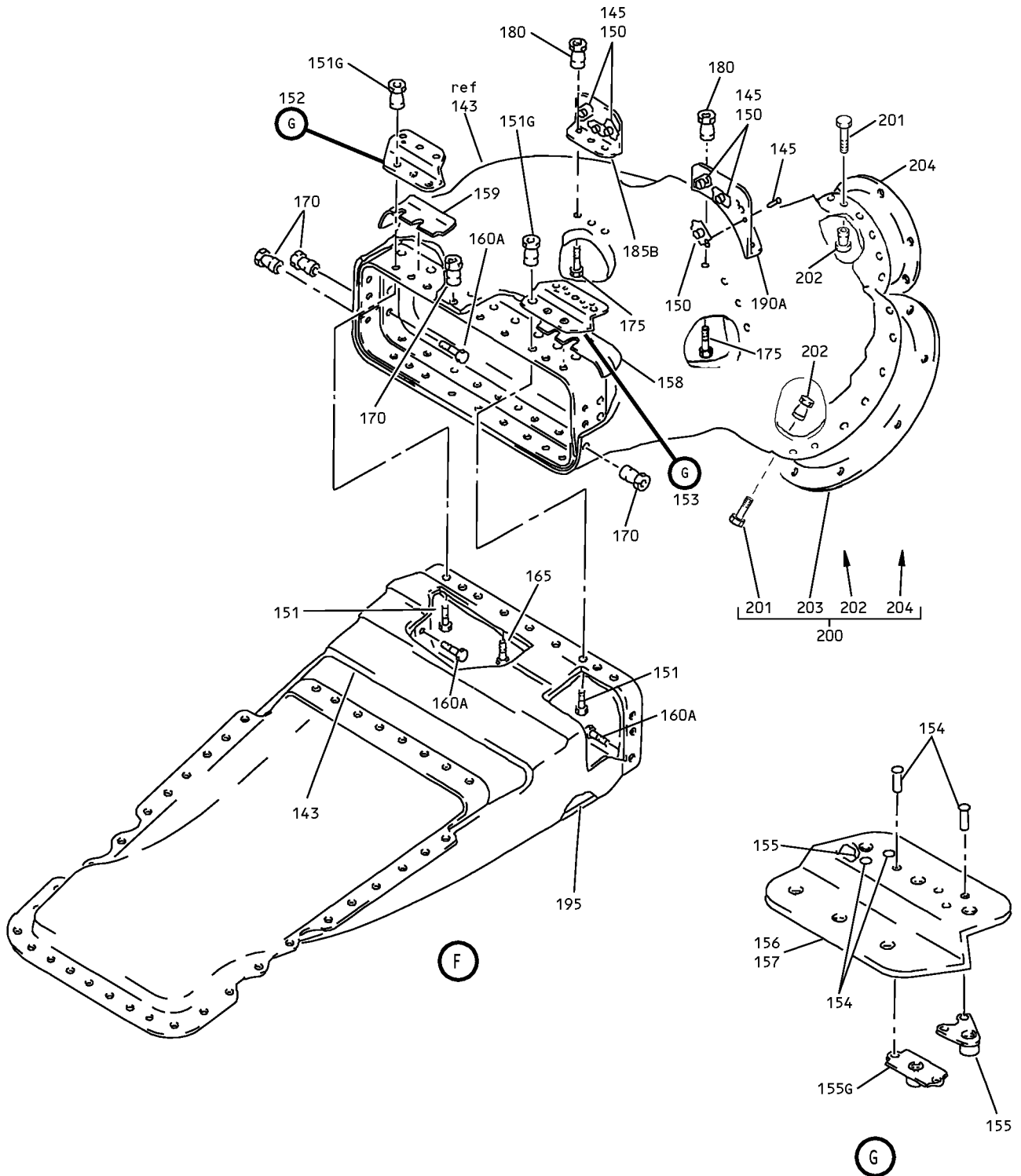
ILLUSTRATED PARTS LIST  
01.1 Page 1040U  
Nov 01/04



Duct Instl - Eng Outbd and Inbd Side Fan Duct Inlet Precooler  
 Figure 3 (Sheet 2)

**71-11-56**

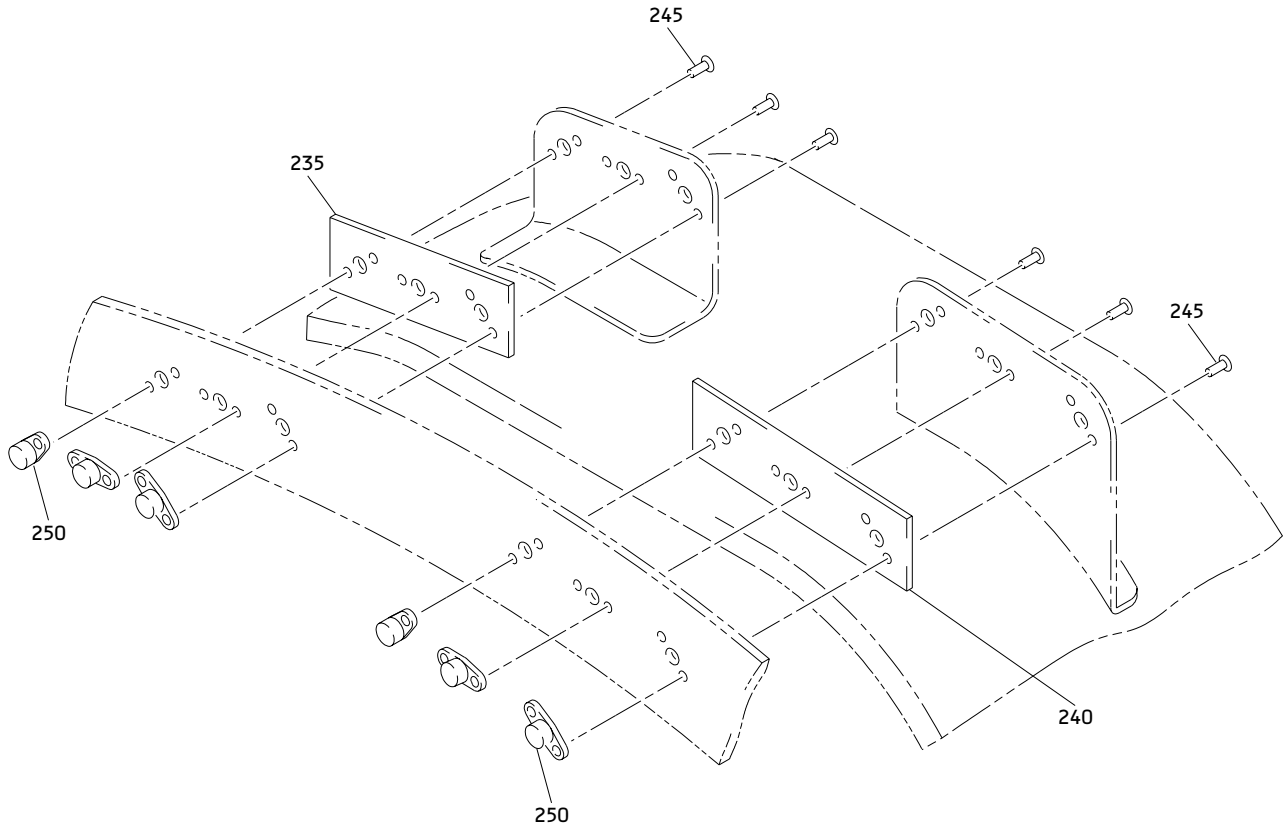
ILLUSTRATED PARTS LIST  
 01.1 Page 1040V  
 Nov 01/04



Duct Instl - Eng Outbd and Inbd Side Fan Duct Inlet Precooler  
Figure 3 (Sheet 3)

**71-11-56**

ILLUSTRATED PARTS LIST  
01.1 Page 1040W  
Nov 01/04



(H)

Duct Instl - Eng Outbd and Inbd Side Fan Duct Inlet Pre-cooler  
Figure 3 (Sheet 4)

**71-11-56**

ILLUSTRATED PARTS LIST  
01.1 Page 1040X  
Nov 01/04

 **BOEING**  
COMPONENT  
MAINTENANCE MANUAL

| FIG. & ITEM      | PART NO.                   | AIRLINE PART NUMBER | NOMENCLATURE<br>1234567  | EFF CODE  | QTY PER ASSY |
|------------------|----------------------------|---------------------|--|---|--------------|
| 03-<br>-1<br>-1A | 315T3126-27<br>315T3126-29 |                     | DELETED<br>DUCT INSTL-ENG OUTBD AND<br>INBD SIDE FAN DUCT INLET<br>PRECOOLER   | E,F,H<br>,Q,R,<br>T,U,A<br>A,AG,<br>AH,AL<br>AM,A<br>S-AV | RF           |
| -1B              | 315T3126-35                |                     | DUCT INSTL-ENG OUTBD AND<br>INBD SIDE FAN DUCT INLET<br>PRECOOLER  | W,AC  | RF           |
| -1C              | 315T3126-29                |                     | DUCT INSTL-ENG OUTBD AND<br>INBD SIDE FAN DUCT INLET<br>PRECOOLER<br>(LIMITED)   | AX,AZ   | RF           |
| -1D              | 315T3126-35                |                     | DUCT INSTL-ENG OUTBD AND<br>INBD SIDE FAN DUCT INLET<br>PRECOOLER<br>(LIMITED)   | X,AD,<br>AX,AZ<br>,BC,B<br>G                              | RF           |
| -1E              | 315T3126-37                |                     | DUCT INSTL-ENG OUTBD AND<br>INBD SIDE FAN DUCT INLET<br>PRECOOLER<br>(LIMITED)   | X,AD,<br>BC,BG  | RF           |
| -1F              | 315T3126-37                |                     | DUCT INSTL-ENG OUTBD AND<br>INBD SIDE FAN DUCT INLET<br>PRECOOLER  | BD,BH<br>,BL,B<br>M,BQ,<br>BR,BU<br>,BV<br>BY,BZ          | RF           |
| -1G              | 315T3126-43                |                     | DUCT INSTL-ENG OUTBD AND<br>(NHA 315T4295, REF<br>COLLECTOR CMM 78-31-47)<br>(NHA 315U4295, REF<br>COLLECTOR CMM 78-31-48) | DU,DV   | RF           |
| 5                | BACB30NW6K                 |                     | DELETED  |   |              |

71-11-56

ILLUSTRATED PARTS LIST  
01.1 Page 1040Y  
Nov 01/04

| FIG. & ITEM | PART NO.    | AIRLINE PART NUMBER | NOMENCLATURE   | EFF CODE   | QTY PER ASSY |
|-------------|-------------|---------------------|--|--|--------------|
| 03-5A       | HL11VAZ6-20 |                     | 1234567<br>.BOLT-<br>(V60516)<br>(SPEC BACB30NW6K20)<br>(OPT B30NW6K20 (V97928))<br>(OPT HL11VAZ6-20 (V73197))<br>(OPT HL11VAZ6-20 (V92215))<br>(OPT HL11VAZ6-20 (V97928))<br>(OPT L803-6K20 (V06725))<br>(OPT HL11VAZ6-20 (V0PTK6))<br>(OPT HL11VAZ6-20 (V56878)) | E, F, H<br>, Q, R,<br>T, U, W<br>, X, AA<br>, AC<br>AD, AG<br>, AH, A<br>L, AM,<br>AS-AV<br>, AX<br>AZ, BC<br>, BD, B<br>G, BH,<br>BL, BM<br>, BQ<br>BR, BU<br>, BV, B<br>Y, BZ,<br>DU | 36           |
| 10          | HL79-6      |                     | .COLLAR-<br>(V5M902)<br>(SPEC BACC30M6)<br>(OPT HL79-6 (V73197))<br>(OPT HL79-6 (V92215))<br>(OPT 66014-6 (V56878))<br>(OPT HL79-6 (V56878))   | E, F, H<br>, Q, R,<br>T, U, W<br>, X, AA<br>, AC<br>AD, AG<br>, AH, A<br>L, AM,<br>AS-AV<br>, AX<br>AZ, BC<br>, BD, B<br>G, BH,<br>BL, BM<br>, BQ<br>BR, BU<br>, BV, B<br>Y, BZ,<br>DV | 36           |

# 71-11-56

 ILLUSTRATED PARTS LIST  
 01.1 Page 1040Z  
 Nov 01/04



| FIG. & ITEM | PART NO.    | AIRLINE PART NUMBER | NOMENCLATURE<br>1234567                       | EFF CODE   | QTY PER ASSY |
|-------------|-------------|---------------------|---|--|--------------|
| 03-15       | 315T3126-7  |                     | .SHIM-<br>(USED ON ITEMS 1A, 1B,<br>1C, 1D)   | E,F,H<br>,Q,R,<br>T,U,W<br>,X,AA<br>,AC<br>AD,AG<br>,AH,A<br>L,AM,<br>AS-AV<br>,AX<br>AZ,BC<br>,BG | 1            |
| -15A        | 315T3126-7  |                     | .SHIM-<br>(LIMITED)<br>(USED ON ITEMS 1E, 1F) | X,AD,<br>BC,BD<br>,BG,B<br>H,BL,<br>BM,BQ<br>BR,BU<br>,BV,B<br>Y,BZ                                | 1            |
| -15B        | 315T3126-39 |                     | .SHIM-<br>(LIMITED)<br>(USED ON ITEMS 1E, 1F) | X,AD,<br>BC,BD<br>,BG,B<br>H,BL,<br>BM,BQ<br>BR,BU<br>,BV,B<br>Y,BZ                                | 1            |
| -15C        | 315T3126-39 |                     | .SHIM   | DU,DV  | 1            |

71-11-56

| FIG. & ITEM | PART NO.    | AIRLINE PART NUMBER | NOMENCLATURE   | EFF CODE  | QTY PER ASSY |
|-------------|-------------|---------------------|----------------|---|--------------|
| 03-20       | 315T3126-8  |                     | .STRIP-BACKING | E,F,H<br>,Q,R,<br>T,U,W<br>,X,AA<br>,AC<br>AD,AG<br>,AH,A<br>L,AM,<br>AS-AV<br>,AX<br>AZ,BC<br>,BD,B<br>G,BH,<br>BL,BM<br>,BQ<br>BR,BU<br>,BV,B<br>Y,BZ,<br>DU,DV | 1            |
| 25          | 315T3126-10 |                     | .SHIM          | E,F,H<br>,Q,R,<br>T,U,W<br>,X,AA<br>,AC<br>AD,AG<br>,AH,A<br>L,AM,<br>AS-AV<br>,AX<br>AZ,BC<br>,BD,B<br>G,BH,<br>BL,BM<br>,BQ<br>BR,BU<br>,BV,B<br>Y,BZ,<br>DU,DV | 2            |

# 71-11-56

 ILLUSTRATED PARTS LIST  
 01.1 Page 1042  
 Nov 01/04

**BOEING**  
COMPONENT  
MAINTENANCE MANUAL

| FIG. & ITEM | PART NO.    | AIRLINE PART NUMBER | NOMENCLATURE   | EFF CODE  | QTY PER ASSY |
|-------------|-------------|---------------------|----------------|---|--------------|
| 03-30       | 315T3126-20 |                     | .STRIP-BACKING | E,F,H<br>,Q,R,<br>T,U,W<br>,X,AA<br>,AC<br>AD,AG<br>,AH,A<br>L,AM,<br>AS-AV<br>,AX<br>AZ,BC<br>,BD,B<br>G,BH,<br>BL,BM<br>,BQ<br>BR,BU<br>,BV,B<br>Y,BZ,<br>DU,DV | 2            |
| 35          | 315T3126-3  |                     | .SHIM          | E,F,H<br>,Q,R,<br>T,U,W<br>,X,AA<br>,AC<br>AD,AG<br>,AH,A<br>L,AM,<br>AS-AV<br>,AX<br>AZ,BC<br>,BD,B<br>G,BH,<br>BL,BM<br>,BQ<br>BR,BU<br>,BV,B<br>Y,BZ,<br>DU,DV | 2            |

71-11-56

ILLUSTRATED PARTS LIST  
01.1 Page 1042A  
Nov 01/04

| FIG. & ITEM | PART NO.   | AIRLINE PART NUMBER | NOMENCLATURE   | EFF CODE   | QTY PER ASSY |
|-------------|------------|---------------------|----------------|--|--------------|
| 03-40       | 315T3126-4 |                     | .STRIP-BACKING | E, F, H<br>, Q, R,<br>T, U, W<br>, X, AA<br>, AC<br>AD, AG<br>, AH, A<br>L, AM,<br>AS-AV<br>, AX<br>AZ, BC<br>, BD, B<br>G, BH,<br>BL, BM<br>, BQ<br>BR, BU<br>, BV, B<br>Y, BZ,<br>DU, DV | 2            |
| 45          | 315T3126-5 |                     | .SHIM          | E, F, H<br>, Q, R,<br>T, U, W<br>, X, AA<br>, AC<br>AD, AG<br>, AH, A<br>L, AM,<br>AS-AV<br>, AX<br>AZ, BC<br>, BD, B<br>G, BH,<br>BL, BM<br>, BQ<br>BR, BU<br>, BV, B<br>Y, BZ,<br>DU, DV | 2            |

# 71-11-56

 ILLUSTRATED PARTS LIST  
 01.1 Page 1042B  
 Nov 01/04

| FIG. & ITEM | PART NO.    | AIRLINE PART NUMBER | NOMENCLATURE   | EFF CODE  | QTY PER ASSY |
|-------------|-------------|---------------------|----------------|---|--------------|
| 03-50       | 315T3126-6  |                     | .STRIP-BACKING | E,F,H<br>,Q,R,<br>T,U,W<br>,X,AA<br>,AC<br>AD,AG<br>,AH,A<br>L,AM,<br>AS-AV<br>,AX<br>AZ,BC<br>,BD,B<br>G,BH,<br>BL,BM<br>,BQ<br>BR,BU<br>,BV,B<br>Y,BZ,<br>DU,DV | 2            |
| 55          | 315T3126-15 |                     | .SHIM          | E,F,H<br>,Q,R,<br>T,U,W<br>,X,AA<br>,AC<br>AD,AG<br>,AH,A<br>L,AM,<br>AS-AV<br>,AX<br>AZ,BC<br>,BD,B<br>G,BH,<br>BL,BM<br>,BQ<br>BR,BU<br>,BV,B<br>Y,BZ,<br>DU,DV | 2            |

71-11-56

ILLUSTRATED PARTS LIST  
01.1 Page 1042C  
Nov 01/04

| FIG. & ITEM | PART NO.    | AIRLINE PART NUMBER | NOMENCLATURE   | EFF CODE  | QTY PER ASSY |
|-------------|-------------|---------------------|----------------|---|--------------|
| 03-60       | 315T3126-16 |                     | .STRIP-BACKING | E,F,H<br>,Q,R,<br>T,U,W<br>,X,AA<br>,AC<br>AD,AG<br>,AH,A<br>L,AM,<br>AS-AV<br>,AX<br>AZ,BC<br>,BD,B<br>G,BH,<br>BL,BM<br>,BQ<br>BR,BU<br>,BV,B<br>Y,BZ,<br>DU,DV | 2            |
| 65          | 315T3126-17 |                     | .SHIM          | E,F,H<br>,Q,R,<br>T,U,W<br>,X,AA<br>,AC<br>AD,AG<br>,AH,A<br>L,AM,<br>AS-AV<br>,AX<br>AZ,BC<br>,BD,B<br>G,BH,<br>BL,BM<br>,BQ<br>BR,BU<br>,BV,B<br>Y,BZ,<br>DU,DV | 2            |

# 71-11-56

 ILLUSTRATED PARTS LIST  
 01.1 Page 1042D  
 Nov 01/04

 **BOEING**  
COMPONENT  
MAINTENANCE MANUAL

| FIG. & ITEM | PART NO.    | AIRLINE PART NUMBER | NOMENCLATURE   | EFF CODE  | QTY PER ASSY |
|-------------|-------------|---------------------|----------------|---|--------------|
| 03-70       | 315T3126-18 |                     | .STRIP-BACKING | E,F,H<br>,Q,R,<br>T,U,W<br>,X,AA<br>,AC<br>AD,AG<br>,AH,A<br>L,AM,<br>AS-AV<br>,AX<br>AZ,BC<br>,BD,B<br>G,BH,<br>BL,BM<br>,BQ<br>BR,BU<br>,BV,B<br>Y,BZ,<br>DU,DV | 2            |
| 75          | 315T3126-19 |                     | .STRIP-BACKING | E,F,H<br>,Q,R,<br>T,U,W<br>,X,AA<br>,AC<br>AD,AG<br>,AH,A<br>L,AM,<br>AS-AV<br>,AX<br>AZ,BC<br>,BD,B<br>G,BH,<br>BL,BM<br>,BQ<br>BR,BU<br>,BV,B<br>Y,BZ,<br>DU,DV | 2            |

71-11-56

ILLUSTRATED PARTS LIST  
01.1 Page 1042E  
Nov 01/04

| FIG. & ITEM | PART NO.    | AIRLINE PART NUMBER | NOMENCLATURE   | EFF CODE   | QTY PER ASSY |
|-------------|-------------|---------------------|----------------|--|--------------|
| 03-80       | 315T3126-9  |                     | .SHIM          | E, F, H<br>, Q, R,<br>T, U, W<br>, X, AA<br>, AC<br>AD, AG<br>, AH, A<br>L, AM,<br>AS-AV<br>, AX<br>AZ, BC<br>, BD, B<br>G, BH,<br>BL, BM<br>, BQ<br>BR, BU<br>, BV, B<br>Y, BZ,<br>DU, DV | 1            |
| 85          | 315T3126-21 |                     | .STRIP-BACKING | E, F, H<br>, Q, R,<br>T, U, W<br>, X, AA<br>, AC<br>AD, AG<br>, AH, A<br>L, AM,<br>AS-AV<br>, AX<br>AZ, BC<br>, BD, B<br>G, BH,<br>BL, BM<br>, BQ<br>BR, BU<br>, BV, B<br>Y, BZ,<br>DU, DV | 1            |

# 71-11-56

 ILLUSTRATED PARTS LIST  
 01.1 Page 1042F  
 Nov 01/04



| FIG. & ITEM | PART NO.   | AIRLINE PART NUMBER | NOMENCLATURE<br>1234567     | EFF CODE  | QTY PER ASSY |
|-------------|------------|---------------------|-----------------------------|---|--------------|
| 03-90       | 315T3137-1 |                     | .MOLDING-INLET              | E, F, H<br>, Q, R,<br>T, U, W<br>, AA, A<br>C, AG<br>AH, AL<br>, AM, A<br>S-AV,<br>AX, AZ | 1            |
| -90A        | 315T3137-1 |                     | .MOLDING-INLET<br>(LIMITED) | X, AD,<br>BC, BD<br>, BG, B<br>H, BL,<br>BM, BQ<br>BR, BU<br>, BV, B<br>Y, BZ             | 1            |
| -90B        | 315T3137-3 |                     | .MOLDING-INLET<br>(LIMITED) | X, AD,<br>BC, BD<br>, BG, B<br>H, BL,<br>BM, BQ<br>BR, BU<br>, BV, B<br>Y, BZ             | 1            |
| -90C        | 315T3137-5 |                     | .MOLDING-INLET<br>(LIMITED) | X, AD,<br>BC, BD<br>, BG, B<br>H, BL,<br>BM, BQ<br>BR, BU<br>, BV, B<br>Y, BZ             | 1            |
| -90D        | 315T3137-5 |                     | .MOLDING-INLET              | DU, DV  | 1            |

**71-11-56**

ILLUSTRATED PARTS LIST  
01.1 Page 1042G  
Nov 01/04

| FIG. & ITEM | PART NO.   | AIRLINE PART NUMBER | NOMENCLATURE<br>1234567     | EFF CODE  | QTY PER ASSY |
|-------------|------------|---------------------|-----------------------------|---|--------------|
| 03-95       | 315T3137-2 |                     | .MOLDING-INLET              | E, F, H<br>, Q, R,<br>T, U, W<br>, AA, A<br>C, AG<br>AH, AL<br>, AM, A<br>S-AV,<br>AX, AZ | 1            |
| -95A        | 315T3137-2 |                     | .MOLDING-INLET<br>(LIMITED) | X, AD,<br>BC, BD<br>, BG, B<br>H, BL,<br>BM, BQ<br>BR, BU<br>, BV, B<br>Y, BZ             | 1            |
| -95B        | 315T3137-4 |                     | .MOLDING-INLET<br>(LIMITED) | X, AD,<br>BC, BD<br>, BG, B<br>H, BL,<br>BM, BQ<br>BR, BU<br>, BV, B<br>Y, BZ             | 1            |
| -95C        | 315T3137-6 |                     | .MOLDING-INLET<br>(LIMITED) | X, AD,<br>BC, BD<br>, BG, B<br>H, BL,<br>BM, BQ<br>BR, BU<br>, BV, B<br>Y, BZ             | 1            |
| -95D        | 315T3137-6 |                     | .MOLDING-INLET              | DU, DV  | 1            |

# 71-11-56

 ILLUSTRATED PARTS LIST  
 01.1 Page 1042H  
 Nov 01/04

**BOEING**  
COMPONENT  
MAINTENANCE MANUAL

| FIG. & ITEM        | PART NO.                   | AIRLINE PART NUMBER | NOMENCLATURE<br>1234567                                 | EFF CODE   | QTY PER ASSY |
|--------------------|----------------------------|---------------------|---|--|--------------|
| 03-<br>100<br>100A | 315T3126-28<br>315T3126-30 |                     | DELETED<br>.SYSTEM ASSY-INLET<br>(USED ON ITEMS 1A, 1C) | E, F, H<br>, Q, R,<br>T, U, A<br>A, AG,<br>AH<br>AL, AM<br>, AS-A<br>V, AX,<br>AZ  | 1            |
| -100B              | 315T3126-36                |                     | .SYSTEM ASSY-INLET<br>(USED ON ITEMS 1B, 1D)            | W, X, A<br>C, AD,<br>AX, AZ<br>, BC, B<br>G  | 1            |
| -100C              | 315T3126-38                |                     | .SYSTEM ASSY-INLET<br>(USED ON ITEMS 1E, 1F)            | X, AD,<br>BC, BD<br>, BG, B<br>H, BL,<br>BM, BQ<br>BR, BU<br>, BV, B<br>Y, BZ  | 1            |
| -100D              | 315T3126-44                |                     | .SYSTEM ASSY-INLET<br>ATTACHING PARTS                   | DU, DV   | 1            |
| 103                | BACB30VF3K19               |                     | .BOLT   | E, F, H<br>, Q, R,<br>T, U, W<br>, X, AA<br>, AC<br>AD, AG<br>, AH, A<br>L, AM,<br>AS-AV<br>, AX<br>AZ, BC<br>, BD, B<br>G, BH,<br>BL, BM<br>, BQ<br>BR, BU<br>, BV, B<br>Y, BZ,<br>DU, DV | 6            |

71-11-56

ILLUSTRATED PARTS LIST  
01.1 Page 1042I  
Nov 01/04

| FIG. & ITEM | PART NO.    | AIRLINE PART NUMBER | NOMENCLATURE                               | EFF CODE  | QTY PER ASSY |
|-------------|-------------|---------------------|--|---|--------------|
| 03-105      | BACB30LJ3-4 |                     | .BOLT-<br>(USED ON ITEMS 1A, 1B, 1C, 1D)   | E,F,H<br>,Q,R,<br>,T,U,W<br>,X,AA<br>,AC<br>AD,AG<br>,AH,A<br>L,AM,<br>AS-AV<br>,AX<br>AZ,BC<br>,BG | 6            |
| -105A       | NAS6703-4   |                     | .BOLT-<br>(USED ON ITEMS 1E, 1F, 1G)       | X,AD,<br>BC,BD<br>,BG,B<br>H,BL,<br>BM,BQ<br>BR,BU<br>,BV,B<br>Y,BZ,<br>DT,DU<br>,DV                | 6            |
| 110         | AN960PD10L  |                     | .WASHER-<br>(USED ON ITEMS 1A, 1B, 1C, 1D) | E,F,H<br>,Q,R,<br>,T,U,W<br>,X,AA<br>,AC<br>AD,AG<br>,AH,A<br>L,AM,<br>AS-AV<br>,AX<br>AZ,BC<br>,BG | 6            |

# 71-11-56

 ILLUSTRATED PARTS LIST  
 01.1 Page 1042J  
 Nov 01/04

 **BOEING**  
COMPONENT  
MAINTENANCE MANUAL

| FIG. & ITEM          | PART NO.                                     | AIRLINE PART NUMBER | NOMENCLATURE  | EFF CODE  | QTY PER ASSY |
|----------------------|--|---------------------|---|---|--------------|
| 03-<br>-110A         | AN960XC10LL                                  |                     | 1234567<br>.<br>WASHER-<br>(USED ON ITEMS 1E, 1F,<br>1G)  | X,AD,<br>BC,BD<br>,BG,B<br>H,BL,<br>BM,BQ<br>BR,BU<br>,BV,B<br>Y,BZ,<br>DT,DU<br>,DV  | 6            |
| 115<br>-115A<br>115B | B0E2048-0501<br>60B89012-504<br>B0E2048-0504 |                     | -----*-----<br>DELETED<br>DELETED<br>..SEAL-<br>(V16632)<br>(SPEC 60B89012-504)<br>(OPT 88B10201-504<br>(V60980))<br>(OPT 96D10458-504<br>(V60980)) | E,F,H<br>,Q,R,<br>T,U,W<br>,X,AA<br>,AC<br>AD,AG<br>,AH,A<br>L,AM,<br>AS-AV<br>,AX<br>AZ,BC<br>,BD,B<br>G,BH,<br>BL,BM<br>,BQ<br>BR,BU<br>,BV,B<br>Y,BZ,<br>DU,DV | 1            |

71-11-56

ILLUSTRATED PARTS LIST  
01.1 Page 1042K  
Nov 01/04

| FIG. & ITEM                 | PART NO.                                     | AIRLINE PART NUMBER | NOMENCLATURE   | EFF CODE   | QTY PER ASSY |
|-----------------------------|--|---------------------|--|--|--------------|
|                             |  |                     | 1234567  |  |              |
| 03-<br>120<br>-120A<br>120B | BOE2048-0502<br>60B89012-505<br>BOE2048-0505 |                     | DELETED<br>DELETED<br>..SEAL-<br>(V16632)<br>(SPEC 60B89012-505)<br>(OPT 88B10201-505<br>(V60980))<br>(OPT 96D10458-505<br>(V60980)) | E, F, H<br>, Q, R,<br>, T, U, W<br>, X, AA<br>, AC<br>, AD, AG<br>, AH, A<br>, L, AM,<br>, AS-AV<br>, AX<br>, AZ, BC<br>, BD, B<br>, G, BH,<br>, BL, BM<br>, BQ<br>, BR, BU<br>, BV, B<br>, Y, BZ,<br>, DU, DV | 1            |
| 125                         | BACB30LH3U3                                  |                     | ATTACHING PARTS<br>..BOLT  | E, F, H<br>, Q, R,<br>, T, U, W<br>, X, AA<br>, AC<br>, AD, AG<br>, AH, A<br>, L, AM,<br>, AS-AV<br>, AX<br>, AZ, BC<br>, BD, B<br>, G, BH,<br>, BL, BM<br>, BQ<br>, BR, BU<br>, BV, B<br>, Y, BZ,<br>, DU, DV | 14           |

# 71-11-56

 ILLUSTRATED PARTS LIST  
 01.1 Page 1042L  
 Nov 01/04

**BOEING**  
COMPONENT  
MAINTENANCE MANUAL

| FIG. & ITEM        | PART NO.                   | AIRLINE PART NUMBER | NOMENCLATURE  | EFF CODE   | QTY PER ASSY |
|--------------------|----------------------------|---------------------|---|--|--------------|
|                    |                            |                     | 1234567   |  |              |
| 03-<br>130<br>130A | AN960C10L<br>NAS1149C0332R |                     | DELETED<br>..WASHER   | E, F, H<br>, Q, R<br>, T, U, W<br>, X, AA<br>, AC<br>AD, AG<br>, AH, A<br>L, AM<br>AS-AV<br>, AX<br>AZ, BC<br>, BD, B<br>G, BH<br>BL, BM<br>, BQ<br>BR, BU<br>, BV, B<br>Y, BZ           | 14           |
| 135                | BRH10C3                    |                     | ..NUT-<br>(V52828)<br>(SPEC BACN10JC3C)<br>(OPT T6C1032J<br>(V11815))<br>(OPT 97-02<br>(V80539))<br>(OPT 101LH9075-3W<br>(V72962))<br>(OPT VN303B02<br>(V92215))<br>(OPT NS202101S02<br>(V80539))<br>(OPT H31-3BAC<br>(V15653))<br><br>-----* | E, F, H<br>, Q, R<br>, T, U, W<br>, X, AA<br>, AC<br>AD, AG<br>, AH, A<br>L, AM<br>AS-AV<br>, AX<br>AZ, BC<br>, BD, B<br>G, BH<br>BL, BM<br>, BQ<br>BR, BU<br>, BV, B<br>Y, BZ<br>DU, DV | 14           |

71-11-56

ILLUSTRATED PARTS LIST  
01.1 Page 1042M  
Nov 01/04

| FIG. & ITEM | PART NO.    | AIRLINE PART NUMBER | NOMENCLATURE<br>1234567                               | EFF CODE  | QTY PER ASSY |
|-------------|-------------|---------------------|---|---|--------------|
| 03-140      | 315T3125-20 |                     | DELETED   |   |              |
| 140A        | 315T3125-22 |                     | ..DUCT ASSY-INLET<br>(USED ON ITEM 100A)              | E,F,H<br>,Q,R,<br>T,U,A<br>A,AG,<br>AH,AL<br>AM,A<br>S-AV,<br>AX,AZ | 1            |
| -140B       | 315T3125-32 |                     | ..DUCT ASSY-INLET<br>(USED ON ITEM 100B)              | W,X,A<br>C,AD,<br>AX,AZ<br>,BC,B<br>G                               | 1            |
| -140C       | 315T3125-34 |                     | DELETED   |   |              |
| -140D       | 315T3125-45 |                     | ..DUCT ASSY-INLET<br>(LIMITED)<br>(USED ON ITEM 100C) | X,AD,<br>BC,BD<br>,BG,B<br>H,BL,<br>BM,BQ<br>BR,BU<br>,BV,B<br>Y,BZ | 1            |
| -140E       | 315T3125-47 |                     | ..DUCT ASSY-INLET<br>(LIMITED)<br>(USED ON ITEM 100C) | X,AD,<br>BC,BD<br>,BG,B<br>H,BL,<br>BM,BQ<br>BR,BU<br>,BV,B<br>Y,BZ | 1            |

# 71-11-56

 ILLUSTRATED PARTS LIST  
 01.1 Page 1042N  
 Nov 01/04



 **BOEING**  
COMPONENT  
MAINTENANCE MANUAL

| FIG. & ITEM  | PART NO.    | AIRLINE PART NUMBER | NOMENCLATURE<br>1234567  | EFF CODE  | QTY PER ASSY |
|--------------|-------------|---------------------|--|---|--------------|
| 03-<br>-140F | 315T3125-48 |                     | ..DUCT ASSY-INLET<br>(LIMITED)<br>(USED ON ITEM 100C)  | X,AD,<br>BC,BD<br>,BG,B<br>H,BL,<br>BM,BQ<br>BR,BU<br>,BV,B<br>Y,BZ | 1            |
| -140G        | 315T3125-49 |                     | ..DUCT ASSY-INLET<br>(LIMITED)<br>(USED ON ITEM 100C)  | X,AD,<br>BC,BD<br>,BG,B<br>H,BL,<br>BM,BQ<br>BR,BU<br>,BV,B<br>Y,BZ | 1            |
| -140H        | 315T3125-53 |                     | ..DUCT ASSY-INLET<br>(LIMITED)<br>(OPT ITEM 140J)<br>(USED ON ITEM 100C)                                 | X,AD,<br>BC,BD<br>,BG,B<br>H,BL,<br>BM,BQ<br>BR,BU<br>,BV,B<br>Y,BZ | 1            |
| -140J        | 315T3125-54 |                     | ..DUCT ASSY-INLET<br>(LIMITED)<br>(USED ON ITEM 100C)<br>(OPT ITEM 140H)<br>(FOR DETAILS SEE<br>FIG. 15) | X,AD,<br>BC,BD<br>,BG,B<br>H,BL,<br>BM,BQ<br>BR,BU<br>,BV,B<br>Y,BZ | 1            |
| -140K        | 315T3125-54 |                     | ..DUCT ASSY-INLET<br>(OPT ITEM 140L)<br>(FOR DETAILS SEE<br>FIG. 15)                                     | DU,DV   | 1            |

**71-11-56**

ILLUSTRATED PARTS LIST  
01.1 Page 10420  
Nov 01/04

| FIG. & ITEM  | PART NO.    | AIRLINE PART NUMBER | NOMENCLATURE<br>1234567  | EFF CODE  | QTY PER ASSY |
|--------------|-------------|---------------------|--|---|--------------|
| 03-<br>-140L | 315T3125-67 |                     | ..DUCT ASSY-INLET<br>(OPT ITEM 140K)<br>(FOR DETAILS SEE<br>FIG. 15) | DU,DV   | 1            |
| 143          | 315T3125-23 |                     | ...BLANKET ASSY-<br>(USED ON ITEMS 140A,<br>140B)                    | E,F,H<br>,Q,R,<br>T,U,W<br>,X,AA<br>,AC<br>AD,AG<br>,AH,A<br>L,AM,<br>AS-AV<br>,AX<br>AZ,BC<br>,BD,B<br>G,BH,<br>BL,BM<br>,BQ<br>BR,BU<br>,BV,B<br>Y,BZ | 1            |
| -143A        | 315T3125-46 |                     | ...BLANKET ASSY-<br>(USED ON ITEMS 140D,<br>140E, 140F, 140G)        | X,AD,<br>BC,BD<br>,BG,B<br>H,BL,<br>BM,BQ<br>BR,BU<br>,BV,B<br>Y,BZ   | 1            |

# 71-11-56

 ILLUSTRATED PARTS LIST  
 01.1 Page 1042P  
 Nov 01/04

 **BOEING**  
COMPONENT  
MAINTENANCE MANUAL

| FIG. & ITEM  | PART NO.                   | AIRLINE PART NUMBER | NOMENCLATURE<br>1234567   | EFF CODE   | QTY PER ASSY |
|--------------|----------------------------|---------------------|---|--|--------------|
| 03-<br>-143B | 315T3125-46                |                     | ...BLANKET ASSY-<br>(USED ON ITEM 140H)                                 | X,AD,<br>BC,BD<br>,BG,B<br>H,BL,<br>BM,BQ<br>BR,BU<br>,BV,B<br>Y,BZ  | 1            |
| -143C        | 315T3125-56                |                     | ...BLANKET ASSY-<br>(LIMITED)<br>(OPT ITEM 143D)<br>(USED ON ITEM 140H) | X,AD,<br>BC,BD<br>,BG,B<br>H,BL,<br>BM,BQ<br>BR,BU<br>,BV,B<br>Y,BZ  | 1            |
| -143D        | 315T3125-46                |                     | ...BLANKET ASSY-<br>(LIMITED)<br>(OPT ITEM 143C)<br>(USED ON ITEM 140H) | X,AD,<br>BC,BD<br>,BG,B<br>H,BL,<br>BM,BQ<br>BR,BU<br>,BV,B<br>Y,BZ  | 1            |
| -143E<br>145 | 315T3125-46<br>BACR15CE3D3 |                     | ...BLANKET ASSY<br>...RIVET   | DU,DV<br>E,F,H<br>,Q,R,<br>T,U,W<br>,X,AA<br>,AC<br>AD,AG<br>,AH,A<br>L,AM,<br>AS-AV<br>,AX<br>AZ,BC<br>,BD,B<br>G,BH,<br>BL,BM<br>,BQ<br>BR,BU<br>,BV,B<br>Y,BZ | 1<br>12      |

**71-11-56**

ILLUSTRATED PARTS LIST  
01.1 Page 1042Q  
Nov 01/04

| FIG. & ITEM | PART NO.    | AIRLINE PART NUMBER | NOMENCLATURE<br>1234567   | EFF CODE  | QTY PER ASSY |
|-------------|-------------|---------------------|---|---|--------------|
| 03-150      | BRF200C3M   |                     | ...NUTPLATE-<br>(V52828)<br>(SPEC BACN10JR3CFM)<br>(OPT F5001-3BAC<br>(V15653))<br>(OPT NS103203SE02<br>(V80539))<br>(OPT VN152D1-02<br>(V92215))<br>(OPT 109F9201-3<br>(V72962))<br>(OPT T8092C1032<br>(V11815))   | E,F,H<br>,Q,R,<br>T,U,W<br>,X,AA<br>,AC<br>AD,AG<br>,AH,A<br>L,AM,<br>AS-AV<br>,AX<br>AZ,BC<br>,BD,B<br>G,BH,<br>BL,BM<br>,BQ<br>BR,BU<br>,BV,B<br>Y,BZ           | 6            |
| 151         | HL1012AZ5-4 |                     | ...BOLT-<br>(V97928)<br>(SPEC BACB30NX5K4)<br>(OPT HL12VAZ5-4<br>(V73197))<br>(OPT HL12VAZ5-4<br>(V92215))<br>(OPT HL12VAZ5-4<br>(V97928))<br>(OPT L802-5K4<br>(V06725))<br>(OPT HL12VAZ5-4<br>(V56878))<br>(OPT HL1012AZ5-4<br>(V0PTK6))<br>(OPT HL1012AZ5-4<br>(V06725))<br>(OPT HL1012AZ5-4<br>(V06950))<br>(OPT HL1012AZ5-4<br>(V17446))<br>(OPT HL1012AZ5-4<br>(V56878))<br>(OPT HL1012AZ5-4<br>(V60516))<br>(OPT HL1012AZ5-4<br>(V73197)) | E,F,H<br>,Q,R,<br>T,U,W<br>,X,AA<br>,AC<br>AD,AG<br>,AH,A<br>L,AM,<br>AS-AV<br>,AX<br>AZ,BC<br>,BD,B<br>G,BH,<br>BL,BM<br>,BQ<br>BR,BU<br>,BV,B<br>Y,BZ,<br>DU,DV | 6            |

# 71-11-56

 ILLUSTRATED PARTS LIST  
 01.1 Page 1042R  
 Nov 01/04

**BOEING**  
COMPONENT  
MAINTENANCE MANUAL

| FIG. & ITEM | PART NO.    | AIRLINE PART NUMBER | NOMENCLATURE  | EFF CODE  | QTY PER ASSY |
|-------------|-------------|---------------------|---|---|--------------|
| 03-151G     | HL1187-5    |                     | 1234567<br>...COLLAR-<br>(V5M902)<br>(SPEC BACC30X5)<br>(OPT HL87-5<br>(V73197))<br>(OPT HL87-5<br>(V92215))<br>(OPT HL86PB5<br>(V73197))<br>(OPT HL86PB5<br>(V56878))<br>(OPT HL86PB5<br>(V92215))<br>(OPT HL1187-5<br>(V56878))<br>(OPT HL1187-5<br>(V92215))<br>(OPT HL87-5<br>(V56878))<br>(OPT HL1187-5<br>(V73197)) | E,F,H<br>,Q,R,<br>T,U,W<br>,X,AA<br>,AC<br>AD,AG<br>,AH,A<br>L,AM,<br>AS-AV<br>,AX<br>AZ,BC<br>,BD,B<br>G,BH,<br>BL,BM<br>,BQ<br>BR,BU<br>,BV,B<br>Y,BZ,<br>DU,DV | 6            |
| 152         | 315T3239-10 |                     | ...BRACKET ASSY   | E,F,H<br>,Q,R,<br>T,U,W<br>,X,AA<br>,AC<br>AD,AG<br>,AH,A<br>L,AM,<br>AS-AV<br>,AX<br>AZ,BC<br>,BD,B<br>G,BH,<br>BL,BM<br>,BQ<br>BR,BU<br>,BV,B<br>Y,BZ,<br>DU,DV | 1            |

71-11-56

ILLUSTRATED PARTS LIST  
01.1 Page 1042S  
Nov 01/04

| FIG. & ITEM | PART NO.    | AIRLINE PART NUMBER | NOMENCLATURE                           | EFF CODE   | QTY PER ASSY |
|-------------|-------------|---------------------|--|--|--------------|
| 03-153      | 315T3239-11 |                     | 1234567<br>...BRACKET ASSY             | E, F, H<br>, Q, R,<br>, T, U, W<br>, X, AA<br>, AC<br>, AD, AG<br>, AH, A<br>, L, AM,<br>, AS-AV<br>, AX<br>, AZ, BC<br>, BD, B<br>, G, BH,<br>, BL, BM<br>, BQ<br>, BR, BU<br>, BV, B<br>, Y, BZ,<br>, DU, DV | 1            |
| 154         | BACR15CE3M  |                     | ....RIVET-<br>(SIZE DETERMINE ON INST) | E, F, H<br>, Q, R,<br>, T, U, W<br>, X, AA<br>, AC<br>, AD, AG<br>, AH, A<br>, L, AM,<br>, AS-AV<br>, AX<br>, AZ, BC<br>, BD, B<br>, G, BH,<br>, BL, BM<br>, BQ<br>, BR, BU<br>, BV, B<br>, Y, BZ,<br>, DU, DV | 6            |

# 71-11-56

 ILLUSTRATED PARTS LIST  
 01.1 Page 1042T  
 Nov 01/04

**BOEING**  
COMPONENT  
MAINTENANCE MANUAL

| FIG. & ITEM | PART NO.     | AIRLINE PART NUMBER | NOMENCLATURE   | EFF CODE  | QTY PER ASSY |
|-------------|--------------|---------------------|--|---|--------------|
| 03-155      | NS103193SE02 |                     | 1234567<br>....NUTPLATE-<br>(V80539)<br>(SPEC BACN10KE3DCM)<br>(OPT F51753-3DL<br>(V15653))  | E,F,H<br>,Q,R,<br>T,U,W<br>,X,AA<br>,AC<br>AD,AG<br>,AH,A<br>L,AM,<br>AS-AV<br>,AX<br>AZ,BC<br>,BD,B<br>G,BH,<br>BL,BM<br>,BQ<br>BR,BU<br>,BV,B<br>Y,BZ,<br>DU,DV | 2            |
| 155G        | BRF200C3M    |                     | ....NUTPLATE-<br>(V52828)<br>(SPEC BACN10JR3CFM)<br>(OPT F5001-3BAC<br>(V15653))<br>(OPT NS103203SE02<br>(V80539))<br>(OPT T8092C1032<br>(V11815))<br>(OPT VN152D1-02<br>(V92215))<br>(OPT 109F9201-3<br>(V72962)) | E,F,H<br>,Q,R,<br>T,U,W<br>,X,AA<br>,AC<br>AD,AG<br>,AH,A<br>L,AM,<br>AS-AV<br>,AX<br>AZ,BC<br>,BD,B<br>G,BH,<br>BL,BM<br>,BQ<br>BR,BU<br>,BV,B<br>Y,BZ,<br>DU,DV | 1            |

71-11-56

ILLUSTRATED PARTS LIST  
01.1 Page 1042U  
Nov 01/04

| FIG. & ITEM | PART NO.    | AIRLINE PART NUMBER | NOMENCLATURE<br>1234567            | EFF CODE  | QTY PER ASSY |
|-------------|-------------|---------------------|------------------------------------|---|--------------|
| 03-156      | 315T3239-12 |                     | ....BRACKET-<br>(USED ON ITEM 152) | E,F,H<br>,Q,R,<br>T,U,W<br>,X,AA<br>,AC<br>AD,AG<br>,AH,A<br>L,AM,<br>AS-AV<br>,AX<br>AZ,BC<br>,BD,B<br>G,BH,<br>BL,BM<br>,BQ<br>BR,BU<br>,BV,B<br>Y,BZ,<br>DU,DV | 1            |
| 157         | 315T3239-13 |                     | ....BRACKET-<br>(USED ON ITEM 153) | E,F,H<br>,Q,R,<br>T,U,W<br>,X,AA<br>,AC<br>AD,AG<br>,AH,A<br>L,AM,<br>AS-AV<br>,AX<br>AZ,BC<br>,BD,B<br>G,BH,<br>BL,BM<br>,BQ<br>BR,BU<br>,BV,B<br>Y,BZ,<br>DU,DV | 1            |

**71-11-56**

ILLUSTRATED PARTS LIST  
01.1 Page 1042V  
Nov 01/04



**BOEING**  
COMPONENT  
MAINTENANCE MANUAL

| FIG. & ITEM | PART NO.    | AIRLINE PART NUMBER | NOMENCLATURE                 | EFF CODE   | QTY PER ASSY |
|-------------|-------------|---------------------|------------------------------|--|--------------|
| 03-158      | 315T3125-24 |                     | 1234567<br>...INSERT-BLANKET | E,F,H<br>,Q,R<br>,T,U,W<br>,X,AA<br>,AC<br>AD,AG<br>,AH,A<br>L,AM<br>AS-AV<br>,AX<br>AZ,BC<br>,BD,B<br>G,BH<br>BL,BM<br>,BQ<br>BR,BU<br>,BV,B<br>Y,BZ<br>DU,DV | 1            |
| 159         | 315T3125-25 |                     | ...INSERT-BLANKET            | E,F,H<br>,Q,R<br>,T,U,W<br>,X,AA<br>,AC<br>AD,AG<br>,AH,A<br>L,AM<br>AS-AV<br>,AX<br>AZ,BC<br>,BD,B<br>G,BH<br>BL,BM<br>,BQ<br>BR,BU<br>,BV,B<br>Y,BZ<br>DU,DV | 1            |

71-11-56

ILLUSTRATED PARTS LIST  
01.1 Page 1042W  
Nov 01/04

| FIG. & ITEM        | PART NO.                  | AIRLINE PART NUMBER | NOMENCLATURE       | EFF CODE   | QTY PER ASSY |
|--------------------|---------------------------|---------------------|--------------------|--|--------------|
| 03-<br>160<br>160A | HL10VAZ5-2<br>BACB30MY5K4 |                     | DELETED<br>...BOLT | E, F, H<br>, Q, R,<br>, T, U, W<br>, X, AA<br>, AC<br>AD, AG<br>, AH, A<br>L, AM,<br>AS-AV<br>, AX<br>AZ, BC<br>, BD, B<br>G, BH,<br>BL, BM<br>, BQ<br>BR, BU<br>, BV, B<br>Y, BZ,<br>DU, DV | 3            |
| 165                | BACB30MY5K3               |                     | ...BOLT            | E, F, H<br>, Q, R,<br>, T, U, W<br>, X, AA<br>, AC<br>AD, AG<br>, AH, A<br>L, AM,<br>AS-AV<br>, AX<br>AZ, BC<br>, BD, B<br>G, BH,<br>BL, BM<br>, BQ<br>BR, BU<br>, BV, B<br>Y, BZ,<br>DU, DV | 37           |

# 71-11-56

 ILLUSTRATED PARTS LIST  
 01.1 Page 1042X  
 Nov 01/04

 **BOEING**  
COMPONENT  
MAINTENANCE MANUAL

| FIG. & ITEM | PART NO. | AIRLINE PART NUMBER | NOMENCLATURE  | EFF CODE  | QTY PER ASSY |
|-------------|----------|---------------------|---|---|--------------|
| 03-170      | HL70-5   |                     | 1234567<br>...COLLAR-<br>(V5M902)<br>(SPEC BACC30M5)<br>(OPT HL70-5<br>(V73197))<br>(OPT HL70-5<br>(V92215))<br>(OPT 66014-5<br>(V56878))<br>(OPT HL70-5<br>(V56878)) | E,F,H<br>,Q,R,<br>T,U,W<br>,X,AA<br>,AC<br>AD,AG<br>,AH,A<br>L,AM,<br>AS-AV<br>,AX<br>AZ,BC<br>,BD,B<br>G,BH,<br>BL,BM<br>,BQ<br>BR,BU<br>,BV,B<br>Y,BZ,<br>DU,DV | 40           |

**71-11-56**

ILLUSTRATED PARTS LIST  
01.1 Page 1042Y  
Nov 01/04

| FIG. & ITEM | PART NO.    | AIRLINE PART NUMBER | NOMENCLATURE<br>1234567   | EFF CODE  | QTY PER ASSY |
|-------------|-------------|---------------------|---|---|--------------|
| 03-175      | HL1012AZ5-3 |                     | ...BOLT-<br>(V97928)<br>(SPEC BACB30NX5K3)<br>(OPT HL12VAZ5-3<br>(V73197))<br>(OPT HL12VAZ5-3<br>(V92215))<br>(OPT HL12VAZ5-3<br>(V97928))<br>(OPT L802-5K3<br>(V06725))<br>(OPT HL12VAZ5-3<br>(V56878))<br>(OPT HL1012AZ5-3<br>(V0PTK6))<br>(OPT HL1012AZ5-3<br>(V06725))<br>(OPT HL1012AZ5-3<br>(V06950))<br>(OPT HL1012AZ5-3<br>(V17446))<br>(OPT HL1012AZ5-3<br>(V56878))<br>(OPT HL1012AZ5-3<br>(V60516))<br>(OPT HL1012AZ5-3<br>(V73197)) | E,F,H<br>,Q,R,<br>T,U,W<br>,X,AA<br>,AC<br>AD,AG<br>,AH,A<br>L,AM,<br>AS-AV<br>,AX<br>AZ,BC<br>,BD,B<br>G,BH,<br>BL,BM<br>,BQ<br>BR,BU<br>,BV,B<br>Y,BZ,<br>DU,DV | 7            |

# 71-11-56

 ILLUSTRATED PARTS LIST  
 01.1 Page 1042Z  
 Nov 01/04

 **BOEING**  
COMPONENT  
MAINTENANCE MANUAL

| FIG. & ITEM | PART NO.    | AIRLINE PART NUMBER | NOMENCLATURE<br>1234567  | EFF CODE  | QTY PER ASSY |
|-------------|-------------|---------------------|--|---|--------------|
| 03-180      | HL1187-5    |                     | ...COLLAR-<br>(V5M902)<br>(SPEC BACC30X5)<br>(OPT HL87-5<br>(V73197))<br>(OPT HL87-5<br>(V92215))<br>(OPT HL86PB5<br>(V73197))<br>(OPT HL86PB5<br>(V56878))<br>(OPT HL86PB5<br>(V92215))<br>(OPT HL1187-5<br>(V56878))<br>(OPT HL1187-5<br>(V92215))<br>(OPT HL87-5<br>(V56878))<br>(OPT HL1187-5<br>(V73197)) | E,F,H<br>,Q,R,<br>T,U,W<br>,X,AA<br>,AC<br>AD,AG<br>,AH,A<br>L,AM,<br>AS-AV<br>,AX<br>AZ,BC<br>,BD,B<br>G,BH,<br>BL,BM<br>,BQ<br>BR,BU<br>,BV,B<br>Y,BZ,<br>DU,DV | 7            |
| 185         | 315T3239-7  |                     | DELETED  |   |              |
| 185A        | 315T3239-3  |                     | DELETED  |   |              |
| 185B        | 315T3239-5  |                     | ...BRACKET-<br>(USED ON ITEMS 140A,<br>140B)   | E,F,H<br>,Q,R,<br>T,U,W<br>,X,AA<br>,AC<br>AD,AG<br>,AH,A<br>L,AM,<br>AS-AV<br>,AX<br>AZ,BC<br>,BG  | 1            |
| -185C       | 315T3239-15 |                     | ...BRACKET-<br>(USED ON ITEMS 140D,<br>140E)   | X,AD,<br>BC,BD<br>,BG,B<br>H,BL,<br>BM,BQ<br>BR,BU<br>,BV,B<br>Y,BZ   | 1            |

71-11-56

| FIG. & ITEM  | PART NO.    | AIRLINE PART NUMBER | NOMENCLATURE<br>1234567                      | EFF CODE   | QTY PER ASSY |
|--------------|-------------|---------------------|--|--|--------------|
| 03-<br>-185D | 315T3239-16 |                     | ...BRACKET-<br>(USED ON ITEMS 140F,<br>140G) | X,AD,<br>BC,BD<br>,BG,B<br>H,BL,<br>BM,BQ<br>BR,BU<br>,BV,B<br>Y,BZ                                | 1            |
| -185E        | 315T3239-18 |                     | ...BRACKET-<br>(USED ON ITEM 140H)           | X,AD,<br>BC,BD<br>,BG,B<br>H,BL,<br>BM,BQ<br>BR,BU<br>,BV,B<br>Y,BZ                                | 1            |
| -185F        | 315T3239-18 |                     | ...BRACKET<br>DELETED                        | DU,DV  | 1            |
| 190          | 315T3239-8  |                     | ...BRACKET-<br>(USED ON ITEM 140A,<br>140B)  | E,F,H<br>,Q,R,<br>T,U,W<br>,X,AA<br>,AC<br>AD,AG<br>,AH,A<br>L,AM,<br>AS-AV<br>,AX<br>AZ,BC<br>,BG | 1            |
| 190A         | 315T3239-4  |                     |  |  |              |

# 71-11-56

 ILLUSTRATED PARTS LIST  
 01.1 Page 1044  
 Nov 01/04

 **BOEING**  
COMPONENT  
MAINTENANCE MANUAL

| FIG. & ITEM  | PART NO.                  | AIRLINE PART NUMBER | NOMENCLATURE<br>1234567  | EFF CODE  | QTY PER ASSY |
|--------------|---------------------------|---------------------|--|---|--------------|
| 03-<br>-190B | 315T3239-14               |                     | ...BRACKET-<br>(USED ON ITEMS 140D,<br>140E, 140F, 140G)           | X,AD,<br>BC,BD<br>,BG,B<br>H,BL,<br>BM,BQ<br>BR,BU<br>,BV,B<br>Y,BZ   | 1            |
| -190C        | 315T3239-17               |                     | ...BRACKET-<br>(USED ON ITEM 140H)                                 | X,AD,<br>BC,BD<br>,BG,B<br>H,BL,<br>BM,BQ<br>BR,BU<br>,BV,B<br>Y,BZ   | 1            |
| -190D<br>195 | 315T3239-17<br>315T3125-2 |                     | ...BRACKET<br>...BOND ASSY-<br>(USED ON ITEMS 140A,<br>140B, 140D) | DU,DV<br>E,F,H<br>,Q,R,<br>T,U,W<br>,X,AA<br>,AC<br>AD,AG<br>,AH,A<br>L,AM,<br>AS-AV<br>,AX<br>AZ,BC<br>,BG | 1<br>1       |

71-11-56

ILLUSTRATED PARTS LIST  
01.1 Page 1044A  
Nov 01/04

| FIG. & ITEM  | PART NO.                  | AIRLINE PART NUMBER | NOMENCLATURE<br>1234567                              | EFF CODE  | QTY PER ASSY |
|--------------|---------------------------|---------------------|--|---|--------------|
| 03-<br>-195A | 315T3125-35               |                     | ...BOND ASSY-<br>(USED ON ITEMS 140E,<br>140F)       | X,AD,<br>BC,BD<br>,BG,B<br>H,BL,<br>BM,BQ<br>BR,BU<br>,BV,B<br>Y,BZ                       | 1            |
| -195B        | 315T3125-51               |                     | ...BOND ASSY-<br>(USED ON ITEMS 140G,<br>140H)       | X,AD,<br>BC,BD<br>,BG,B<br>H,BL,<br>BM,BQ<br>BR,BU<br>,BV,B<br>Y,BZ                       | 1            |
| -195C<br>200 | 315T3125-51<br>315T3125-3 |                     | ...BOND ASSY<br>...BOND ASSY-<br>(USED ON ITEM 140A) | DU,DV<br>E,F,H<br>,Q,R,<br>T,U,A<br>A,AG,<br>AH,AL<br>AM,A<br>S-AV,<br>AX,AZ              | 1<br>1       |
| -200A        | 315T3125-33               |                     | ...BOND ASSY-<br>(USED ON ITEM 140B,<br>140D)        | W,X,A<br>C,AD,<br>AX,AZ<br>,BC,B<br>D,BG<br>BH,BL<br>,BM,B<br>Q,BR,<br>BU,BV<br>,BY<br>BZ | 1            |

# 71-11-56

 ILLUSTRATED PARTS LIST  
 01.1 Page 1044B  
 Nov 01/04



 **BOEING**  
COMPONENT  
MAINTENANCE MANUAL

| FIG. & ITEM  | PART NO.                  | AIRLINE PART NUMBER | NOMENCLATURE  | EFF CODE   | QTY PER ASSY |
|--------------|---------------------------|---------------------|---|--|--------------|
| 03-<br>-200B | 315T3125-36               |                     | 1234567<br>...BOND ASSY-<br>(USED ON ITEMS 140E,<br>140F, 140G, 140H) | X,AD,<br>BC,BD<br>,BG,B<br>H,BL,<br>BM,BQ<br>BR,BU<br>,BV,B<br>Y,BZ  | 1            |
| -200C<br>201 | 315T3125-36<br>BACB30MY5K |                     | ...BOND ASSY<br>....BOLT-<br>(SIZE DETERMINE ON INST)                 | DU,DV<br>E,F,H<br>,Q,R,<br>T,U,W<br>,X,AA<br>,AC<br>AD,AG<br>,AH,A<br>L,AM,<br>AS-AV<br>,AX<br>AZ,BC<br>,BD,B<br>G,BH,<br>BL,BM<br>,BQ<br>BR,BU<br>,BV,B<br>Y,BZ,<br>DU,DV | 1<br>32      |

71-11-56

ILLUSTRATED PARTS LIST  
01.1 Page 1044C  
Nov 01/04

| FIG. & ITEM | PART NO.   | AIRLINE PART NUMBER | NOMENCLATURE   | EFF CODE  | QTY PER ASSY |
|-------------|------------|---------------------|--|---|--------------|
| 03-202      | HL70-5     |                     | 1234567<br>....COLLAR-<br>(V5M902)<br>(SPEC BACC30M5)<br>(OPT HL70-5<br>(V73197))<br>(OPT HL70-5<br>(V92215))<br>(OPT 66014-5<br>(V56878))<br>(OPT HL70-5<br>(V56878)) | E,F,H<br>,Q,R,<br>T,U,W<br>,X,AA<br>,AC<br>AD,AG<br>,AH,A<br>L,AM,<br>AS-AV<br>,AX<br>AZ,BC<br>,BD,B<br>G,BH,<br>BL,BM<br>,BQ<br>BR,BU<br>,BV,B<br>Y,BZ,<br>DU,DV | 32           |
| 203         | 315T3244-1 |                     | ....ADAPTER ASSY   | E,F,H<br>,Q,R,<br>T,U,W<br>,X,AA<br>,AC<br>AD,AG<br>,AH,A<br>L,AM,<br>AS-AV<br>,AX<br>AZ,BC<br>,BD,B<br>G,BH,<br>BL,BM<br>,BQ<br>BR,BU<br>,BV,B<br>Y,BZ,<br>DU,DV | 1            |

# 71-11-56

 ILLUSTRATED PARTS LIST  
 01.1 Page 1044D  
 Nov 01/04

**BOEING**  
COMPONENT  
MAINTENANCE MANUAL

| FIG. & ITEM | PART NO.                  | AIRLINE PART NUMBER | NOMENCLATURE  | EFF CODE  | QTY PER ASSY |
|-------------|---------------------------|---------------------|---|---|--------------|
| 03-204      | 315T3244-4                |                     | 1234567<br>....ADAPTER ASSY-<br>(USED ON ITEM 200)                              | E,F,H<br>,Q,R,<br>T,U,A<br>A,AG,<br>AH,AL<br>AM,A<br>S-AV,<br>AX,AZ                                 | 1            |
| -204A       | 315T3244-8                |                     | ....ADAPTER ASSY-<br>(USED ON ITEMS 200A,<br>200B, 200C)                        | W,X,A<br>C,AD,<br>AX,AZ<br>,BC,B<br>D,BG<br>BH,BL<br>,BM,B<br>Q,BR,<br>BU,BV<br>,BY<br>BZ,DU<br>,DV | 1            |
| 205<br>205A | BACR15BB5B<br>BACB30FM5AU |                     | DELETED<br>..BOLT-<br>(SIZE DETERMINE ON INST)<br>(USED ON ITEMS 100A,<br>100B) | E,F,H<br>,Q,R,<br>T,U,W<br>,X,AA<br>,AC<br>AD,AG<br>,AH,A<br>L,AM,<br>AS-AV<br>,AX<br>AZ,BC<br>,BG  | 8            |

71-11-56

ILLUSTRATED PARTS LIST  
01.1 Page 1044E  
Nov 01/04

| FIG. & ITEM  | PART NO.           | AIRLINE PART NUMBER | NOMENCLATURE<br>1234567  | EFF CODE   | QTY PER ASSY |
|--------------|--------------------|---------------------|--|--|--------------|
| 03-<br>-205B | HST10AG5-2         |                     | ..BOLT-<br>(VOPTK6)<br>(SPEC BACB30VT5K2)<br>(OPT HST10AG5-2<br>(V06725))<br>(OPT HST10AG5-2<br>(V56878))<br>(OPT HST10AG5-2<br>(V73197))<br>(USED ON ITEM 100C) | X,AD,<br>BC,BD<br>,BG,B<br>H,BL,<br>BM,BQ<br>BR,BS<br>,BU,B<br>V,BY,<br>BZ                         | 8            |
| 210<br>212   | AN960-8<br>HL97DU5 |                     | DELETED<br>..COLLAR-<br>(V73197)<br>(SPEC BACC30AB5S)<br>(OPT HL97DU5<br>(V56878))<br>(OPT HL97DU5<br>(V5M902))<br>(USED ON ITEMS 100A,<br>100B)                 | E,F,H<br>,Q,R,<br>T,U,W<br>,X,AA<br>,AC<br>AD,AG<br>,AH,A<br>L,AM,<br>AS-AV<br>,AX<br>AZ,BC<br>,BG | 8            |
| -212A        | HST79CY5           |                     | ..COLLAR-<br>(V73197)<br>(SPEC BACC30BL5)<br>(OPT HST79-5<br>(V92215))<br>(OPT HST79CY5<br>(V56878))<br>(OPT HST79CY5<br>(V5M902))<br>(USED ON ITEM 100C)        | X,AD,<br>BC,BD<br>,BG,B<br>H,BL,<br>BM,BQ<br>BR,BS<br>,BU,B<br>V,BY,<br>BZ                         | 8            |

# 71-11-56

 ILLUSTRATED PARTS LIST  
 01.1 Page 1044F  
 Nov 01/04

 **BOEING**  
COMPONENT  
MAINTENANCE MANUAL

| FIG. & ITEM        | PART NO.                 | AIRLINE PART NUMBER | NOMENCLATURE<br>1234567                                     | EFF CODE  | QTY PER ASSY |
|--------------------|--------------------------|---------------------|---|---|--------------|
| 03-<br>215<br>215A | 315T3136-1<br>315T3136-3 |                     | DELETED<br>..BOND ASSY-LIP<br>(USED ON ITEMS 100A,<br>100B) | E,F,H<br>,Q,R,<br>T,U,W<br>,X,AA<br>,AC<br>AD,AG<br>,AH,A<br>L,AM,<br>AS-AV<br>,AX<br>AZ,BC<br>,BD,B<br>G,BH,<br>BL,BM<br>,BQ<br>BR,BU<br>,BV,B<br>Y,BZ | 1            |
| -215B              | 315T3136-3               |                     | ..BOND ASSY-LIP<br>(LIMITED)<br>(USED ON ITEM 100C)         | X,AD,<br>BC,BD<br>,BG,B<br>H,BL,<br>BM,BQ<br>BR,BU<br>,BV,B<br>Y,BZ   | 1            |
| -215C              | 315T3136-5               |                     | ..BOND ASSY-LIP<br>(LIMITED)<br>(USED ON ITEM 100C)         | X,AD,<br>BC,BD<br>,BG,B<br>H,BL,<br>BM,BQ<br>BR,BU<br>,BV,B<br>Y,BZ   | 1            |

**71-11-56**

ILLUSTRATED PARTS LIST  
01.1 Page 1044G  
Nov 01/04

| FIG. & ITEM          | PART NO.   | AIRLINE PART NUMBER | NOMENCLATURE<br>1234567                             | EFF CODE   | QTY PER ASSY |
|----------------------|--|---------------------|---|--|--------------|
| 03-<br>-215D         | 315T3136-6                                       |                     | ..BOND ASSY-LIP<br>(LIMITED)<br>(USED ON ITEM 100C) | X,AD,<br>BC,BD<br>,BG,B<br>H,BL,<br>BM,BQ<br>BR,BU<br>,BV,B<br>Y,BZ  | 1            |
| -215E<br>217<br>217A | 315T3136-6<br>BACS40R011ED37F<br>BACS40R011E037F |                     | ..BOND ASSY-LIP<br>DELETED<br>.SHIM                 | DU,DV<br><br>E,F,H<br>,Q,R,<br>T,U,W<br>,X,AA<br>,AC<br>AD,AG<br>,AH,A<br>L,AM,<br>AS-AV<br>,AX<br>AZ,BC<br>,BD,B<br>G,BH,<br>BL,BM<br>,BQ<br>BR,BU<br>,BV,B<br>Y,BZ,<br>DU,DV | 1<br><br>2   |

# 71-11-56

 ILLUSTRATED PARTS LIST  
 01.1 Page 1044H  
 Nov 01/04

| FIG. & ITEM | PART NO.    | AIRLINE PART NUMBER | NOMENCLATURE | EFF CODE   | QTY PER ASSY |
|-------------|-------------|---------------------|--------------|--|--------------|
| 03-220      | 315T3126-11 |                     | . SPACER     | E, F, H<br>, Q, R<br>, T, U, W<br>, X, AA<br>, AC<br>AD, AG<br>, AH, A<br>L, AM<br>AS-AV<br>, AX<br>AZ, BC<br>, BD, B<br>G, BH<br>BL, BM<br>, BQ<br>BR, BU<br>, BV, B<br>Y, BZ | 1            |
| 225         | 315T3126-12 |                     | . SPACER     | E, F, H<br>, Q, R<br>, T, U, W<br>, X, AA<br>, AC<br>AD, AG<br>, AH, A<br>L, AM<br>AS-AV<br>, AX<br>AZ, BC<br>, BD, B<br>G, BH<br>BL, BM<br>, BQ<br>BR, BU<br>, BV, B<br>Y, BZ | 1            |

71-11-56

| FIG. & ITEM       | PART NO.                       | AIRLINE PART NUMBER | NOMENCLATURE   | EFF CODE   | QTY PER ASSY |
|-------------------|--------------------------------|---------------------|--|--|--------------|
| 03-<br>230<br>235 | 315T3126-22<br>BACS40R009B031F |                     | DELETED<br>.SHIM-<br>(USED ON ITEMS 1A, 1B,<br>1C, 1D) | E, F, H<br>, Q, R,<br>, T, U, W<br>, X, AA<br>, AC<br>AD, AG<br>, AH, A<br>L, AM,<br>AS-AV<br>, AX<br>AZ, BC<br>, BG | AR           |
| -235A             | BACS40R009B031F                |                     | .SHIM-<br>(LIMITED)<br>(USED ON ITEMS 1E, 1F)          | X, AD,<br>BC, BD<br>, BG, B<br>H, BL,<br>BM, BQ<br>BR, BU<br>, BV, B<br>Y, BZ  | AR           |
| -235B             | BACS40R009D031F                |                     | .SHIM-<br>(LIMITED)<br>(USED ON ITEMS 1E, 1F)          | X, AD,<br>BC, BD<br>, BG, B<br>H, BL,<br>BM, BQ<br>BR, BU<br>, BV, B<br>Y, BZ  | AR           |
| -235C             | BACS40R009D031F                |                     | .SHIM  | DU, DV   | AR           |

# 71-11-56

 ILLUSTRATED PARTS LIST  
 01.1 Page 1044J  
 Nov 01/04



**BOEING**  
COMPONENT  
MAINTENANCE MANUAL

| FIG. & ITEM  | PART NO.                      | AIRLINE PART NUMBER | NOMENCLATURE<br>1234567  | EFF CODE   | QTY PER ASSY |
|--------------|-------------------------------|---------------------|--|--|--------------|
| 03-240       | BACS40R009B041F               |                     | .SHIM-<br>(USED ON ITEMS 1A, 1B, 1C, 1D)                               | E, F, H<br>, Q, R,<br>, T, U, W<br>, X, AA<br>, AC<br>AD, AG<br>, AH, A<br>L, AM,<br>AS-AV<br>, AX<br>AZ, BC<br>, BG | AR           |
| -240A        | BACS40R009B041F               |                     | .SHIM-<br>(LIMITED)<br>(USED ON ITEMS 1E, 1F)                          | X, AD,<br>BC, BD<br>, BG, B<br>H, BL,<br>BM, BQ<br>BR, BU<br>, BV, B<br>Y, BZ  | AR           |
| -240B        | BACS40R009D041F               |                     | .SHIM-<br>(LIMITED)<br>(USED ON ITEMS 1E, 1F)                          | X, AD,<br>BC, BD<br>, BG, B<br>H, BL,<br>BM, BQ<br>BR, BU<br>, BV, B<br>Y, BZ  | AR           |
| -240C<br>245 | BACS40R009D041F<br>BACR15CE3D |                     | .SHIM<br>.RIVET-<br>(SIZE DETERMINE ON INST)<br>(USED ON ITEMS 1E, 1F) | DU, DV<br>X, AD,<br>BC, BD<br>, BG, B<br>H, BL,<br>BM, BQ<br>BR, BU<br>, BV, B<br>Y, BZ                              | AR<br>12     |

**71-11-56**

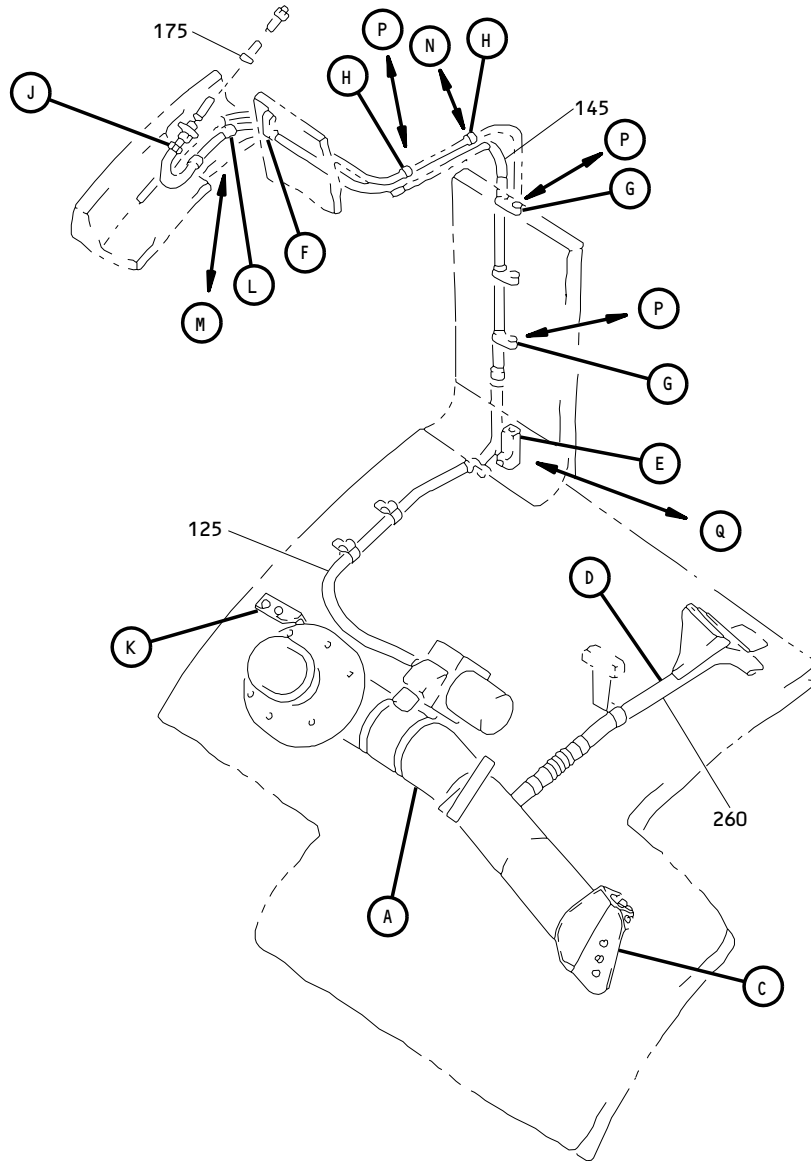
ILLUSTRATED PARTS LIST  
01.1 Page 1044K  
Nov 01/04

| FIG. & ITEM  | PART NO.   | AIRLINE PART NUMBER | NOMENCLATURE<br>1234567   | EFF CODE  | QTY PER ASSY |
|--------------|------------|---------------------|---|---|--------------|
| 03-<br>-245A | BACR15CE3D |                     | .RIVET-<br>(SIZE DETERMINE ON INST)   | DU,DV   | 12           |
| 250          | BRF200C3D  |                     | .NUTPLATE-<br>(V52828)<br>(SPEC BACN10JR3CFD)<br>(OPT K51602-3BAC<br>(V15653))<br>(OPT NS202476-02<br>(V80539))<br>(OPT 102F9201-3<br>(V72962))<br>(OPT T8092C1032CD<br>(V11815))<br>(USED ON ITEMS 1E, 1F) | X,AD,<br>BC,BD<br>,BG,B<br>H,BL,<br>BM,BQ<br>BR,BU<br>,BV,B<br>Y,BZ | 6            |
| -250A        | BRF200C3D  |                     | .NUTPLATE-<br>(V52828)<br>(SPEC BACN10JR3CFD)<br>(OPT K51602-3BAC<br>(V15653))<br>(OPT NS202476-02<br>(V80539))<br>(OPT 102F9201-3<br>(V72962))<br>(OPT T8092C1032CD<br>(V11815))                           | DU,DV   | 6            |

- Item Not Illustrated

# 71-11-56

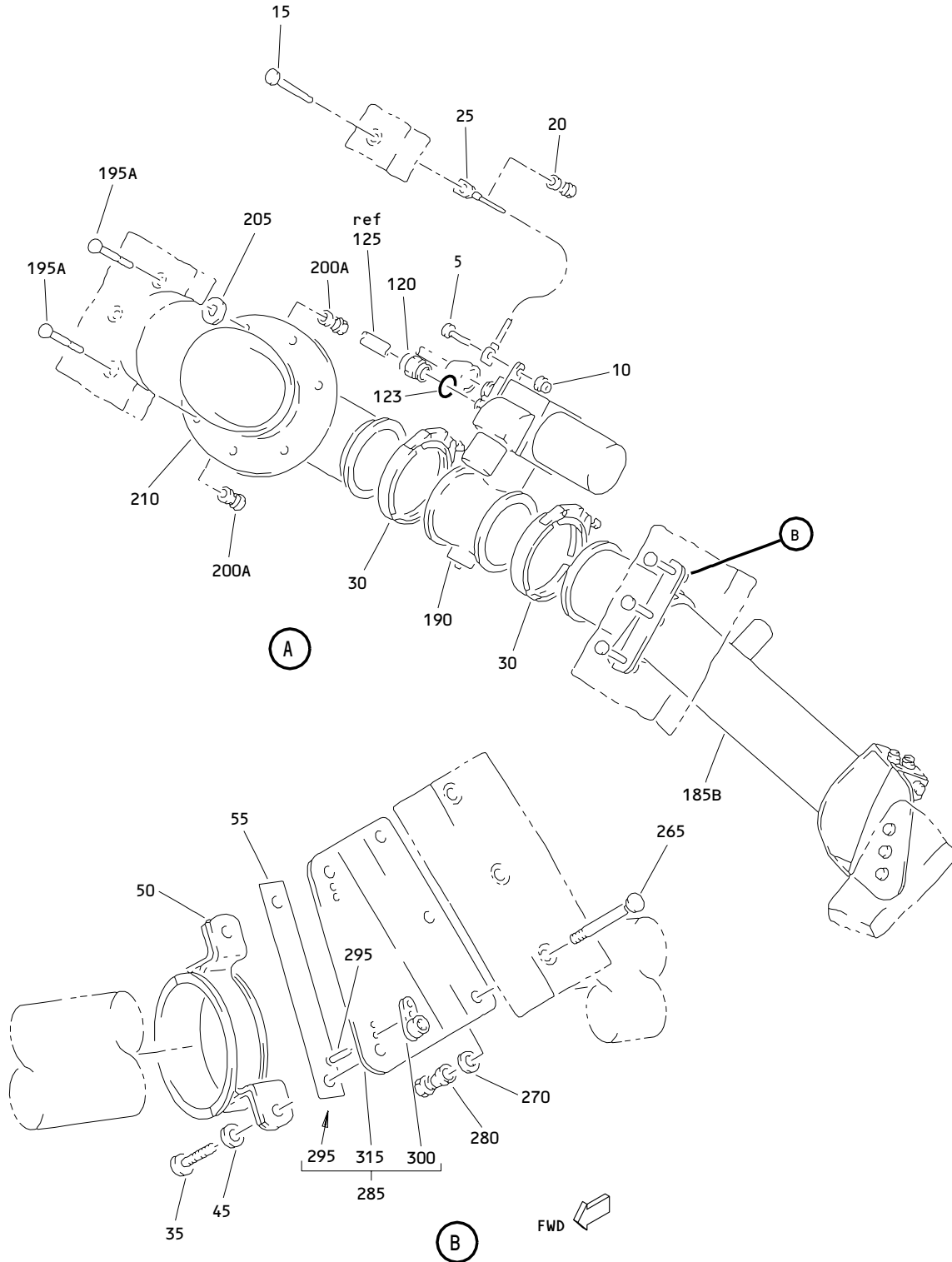
 ILLUSTRATED PARTS LIST  
 01.1 Page 1044L  
 Nov 01/04



Zone Ventilation System Installation  
Figure 4 (Sheet 1)

**71-11-56**

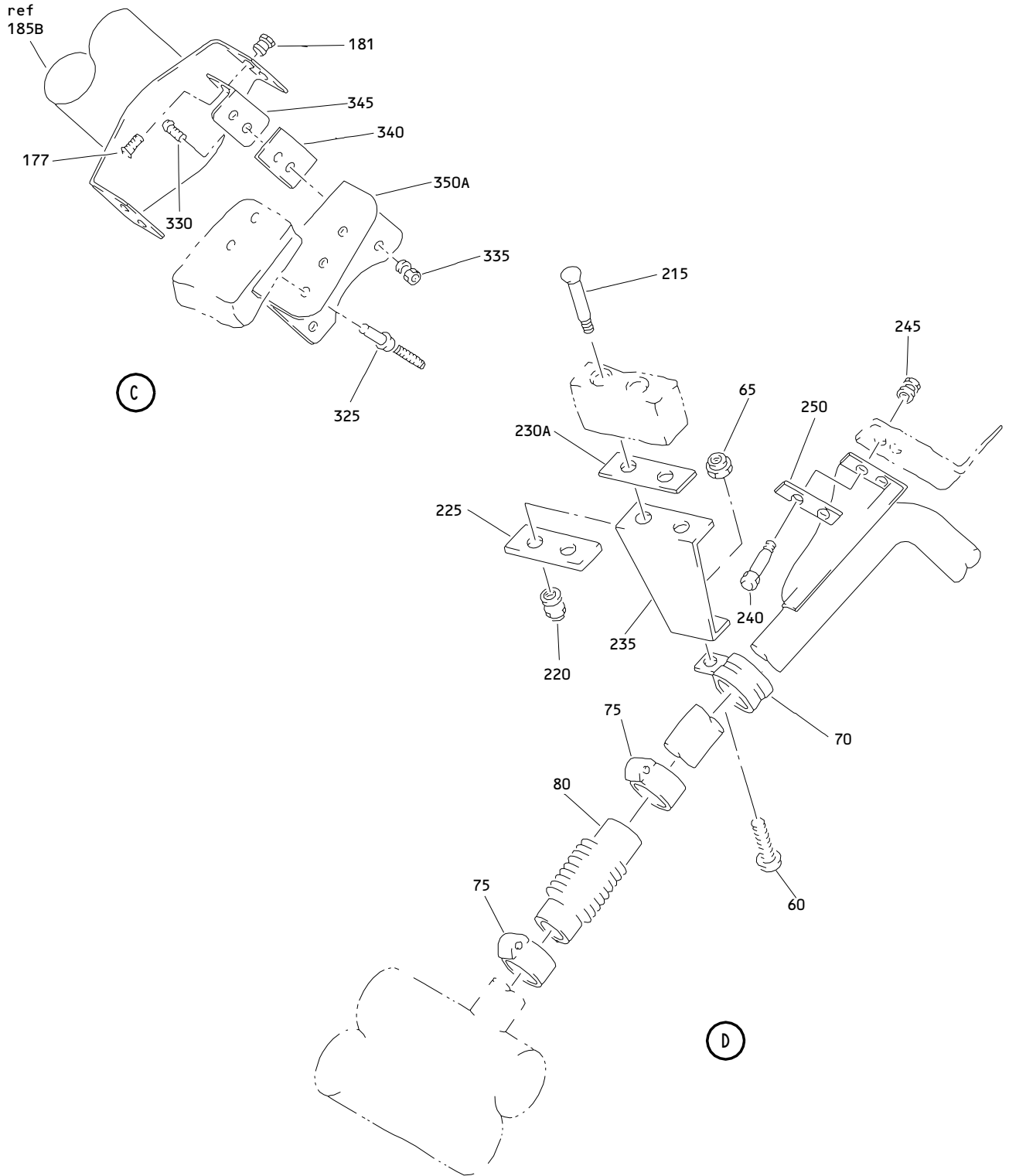
ILLUSTRATED PARTS LIST  
01.1 Page 1044M  
Nov 01/04



Zone Ventilation System Installation  
 Figure 4 (Sheet 2)

**71-11-56**

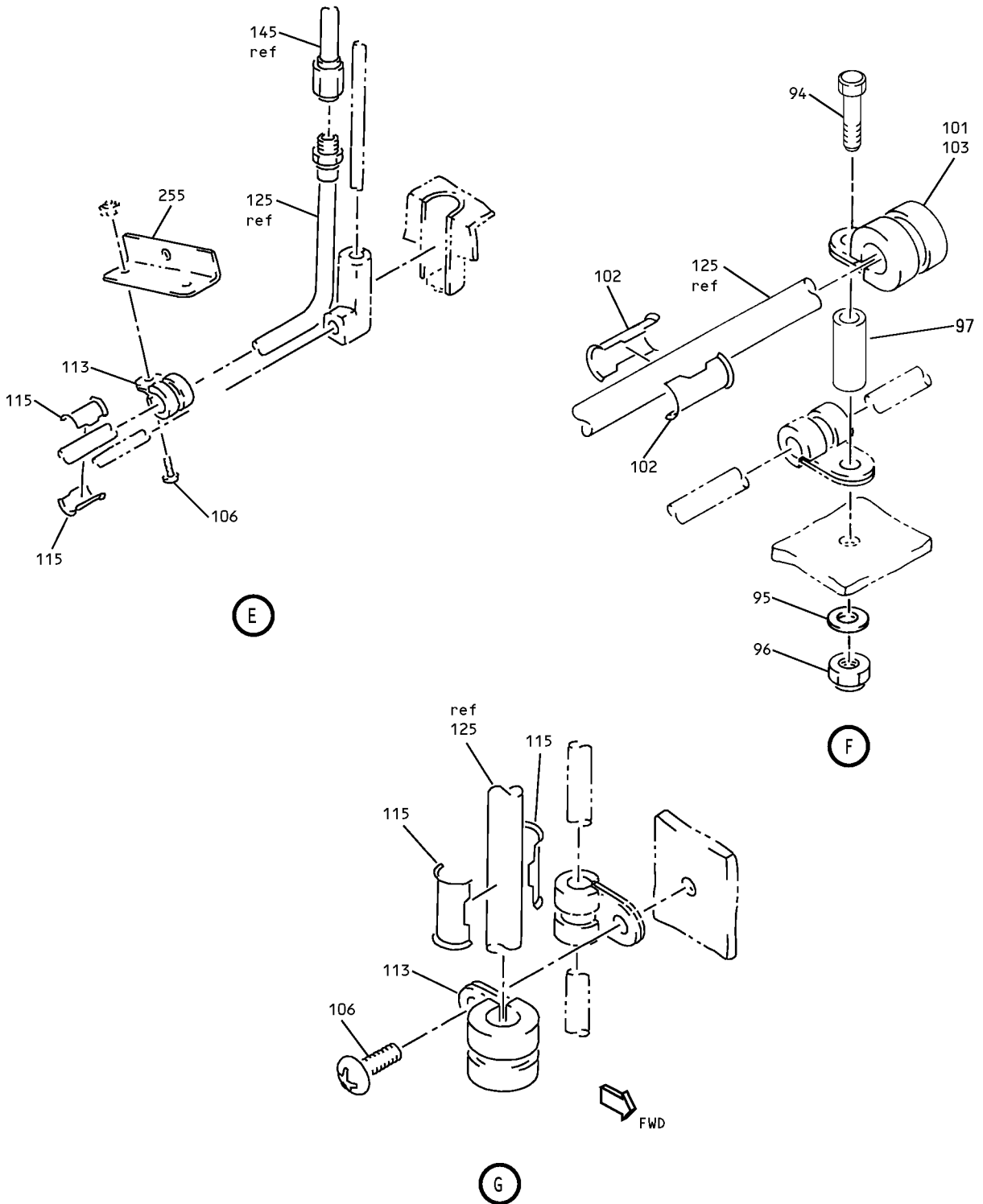
ILLUSTRATED PARTS LIST  
 01.1 Page 1044N  
 Nov 01/04



Zone Ventilation System Installation  
Figure 4 (Sheet 3)

**71-11-56**

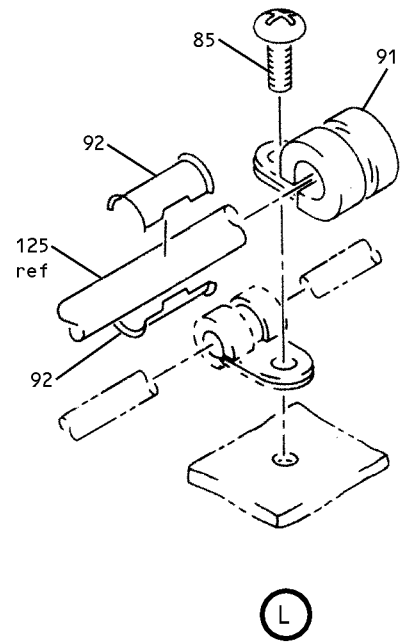
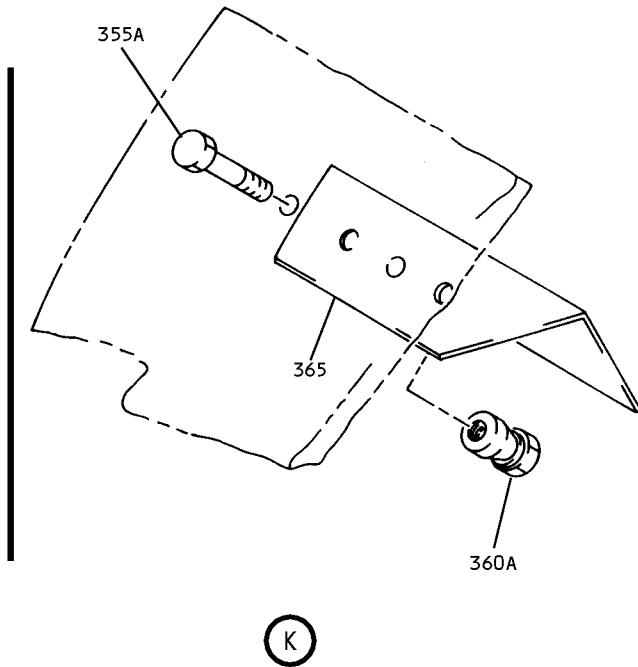
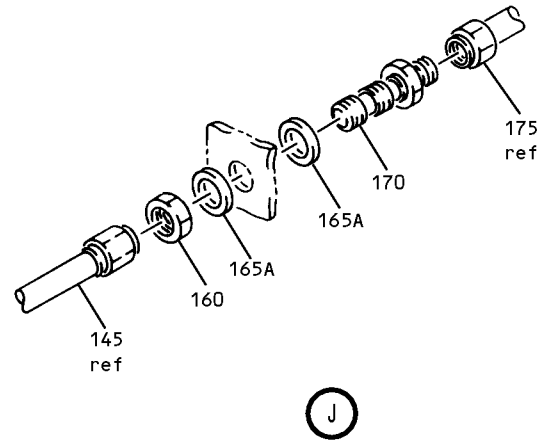
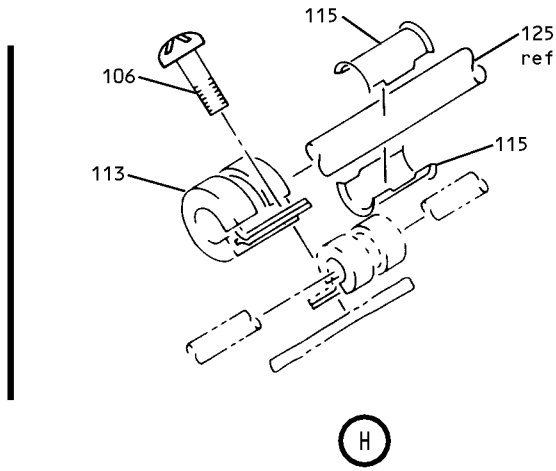
ILLUSTRATED PARTS LIST  
01.1 Page 10440  
Nov 01/04



Zone Ventilation System Installation  
 Figure 4 (Sheet 4)

**71-11-56**

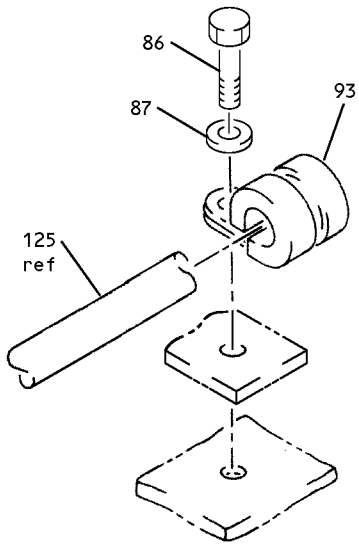
ILLUSTRATED PARTS LIST  
 01.1 Page 1044P  
 Nov 01/04



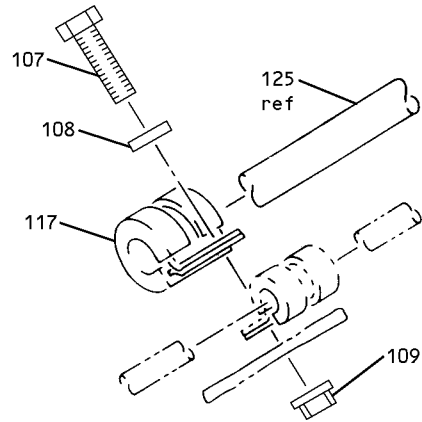
Zone Ventilation System Intallation  
Figure 4 (Sheet 5)

**71-11-56**

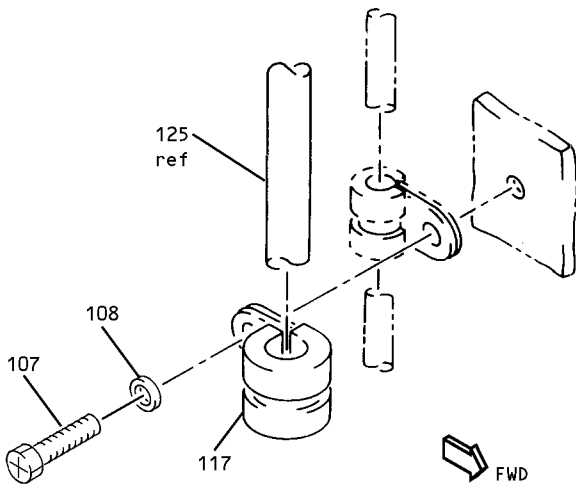
ILLUSTRATED PARTS LIST  
01.1 Page 1044Q  
Nov 01/04



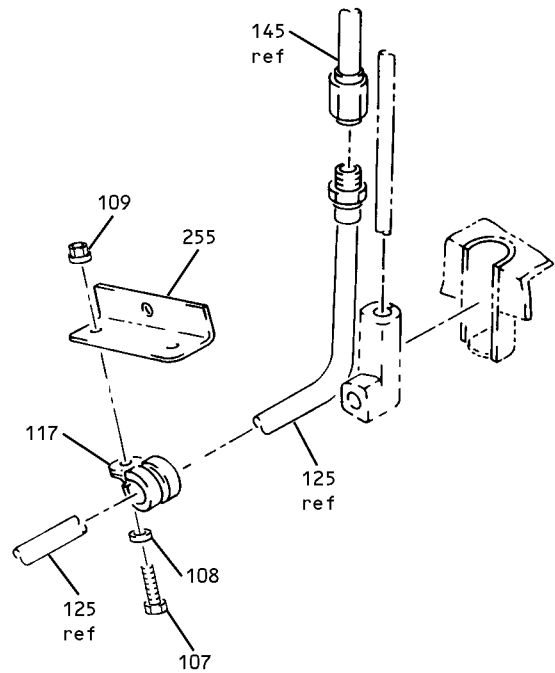
(M)



(N)



(P)



(Q)

Zone Ventilation System Intallation  
 Figure 4 (Sheet 6)

**71-11-56**

ILLUSTRATED PARTS LIST  
 01.1 Page 1044R  
 Nov 01/04



 **BOEING**  
COMPONENT  
MAINTENANCE MANUAL

| FIG. & ITEM | PART NO.    | AIRLINE PART NUMBER | NOMENCLATURE<br>1234567   | EFF CODE   | QTY PER ASSY |
|-------------|-------------|---------------------|---|--|--------------|
| 04-<br>-1   | 315T3128-21 |                     | SYSTEM INSTL-ZONE VENTILATION   | A  | RF           |
| -1A         | 315T3128-22 |                     | SYSTEM INSTL-ZONE VENTILATION   | B-D, J, K, M, N, AE, AJ, A N-AR                              | RF           |
| -1B         | 315T3128-27 |                     | SYSTEM INSTL-ZONE VENTILATION (REWORK)  | AF, AK   | RF           |
| -1C         | 315T3128-26 |                     | SYSTEM INSTL-ZONE VENTILATION   | L, V, Y, Z, BA, BB, B E, BF, BJ, BK, BN, BP, BS, B T, BW, BX | RF           |
| -1D         | 315T3128-22 |                     | SYSTEM INSTL-ZONE VENTILATION (LIMITED)   | AW, AY   | RF           |
| -1E         | 315T3128-26 |                     | SYSTEM INSTL-ZONE VENTILATION (LIMITED)   | AW, AY   | RF           |
| -1F         | 315T3128-27 |                     | SYSTEM INSTL-ZONE VENTILATION (REWORK) (LIMITED)  | AW, AY   | RF           |
| -1G         | 315T3128-33 |                     | SYSTEM INSTL-ZONE VENTILATION (NHA 315T4295, REF COLLECTOR CMM 78-31-47) (NHA 315U4295, REF COLLECTOR CMM 78-31-48) | DS, DT   | RF           |
| -1H         | 315T3128-35 |                     | SYSTEM INSTL-ZONE VENTILATION (NHA 315U4295, REF COLLECTOR CMM 78-31-48)  | DT   | RF           |
| -1J         | 315T3128-37 |                     | SYSTEM INSTL-ZONE VENTILATION (NHA 315U4295, REF COLLECTOR CMM 78-31-48)  | DT   | RF           |
| -1K         | 315T3128-39 |                     | SYSTEM INSTL-ZONE VENTILATION (NHA 315U4295, REF COLLECTOR CMM 78-31-48)  | DT   | RF           |

**71-11-56**

ILLUSTRATED PARTS LIST  
01.1 Page 1044S  
Nov 01/04

| FIG. & ITEM | PART NO.    | AIRLINE PART NUMBER | NOMENCLATURE<br>1234567   | EFF CODE   | QTY PER ASSY |
|-------------|-------------|---------------------|---|--|--------------|
| 04-<br>-1L  | 315T3128-41 |                     | SYSTEM INSTL-ZONE<br>VENTILATION<br>(NHA 315U4295, REF<br>COLLECTOR CMM 78-31-48) | DT   | RF           |
| -1M         | 315T3128-43 |                     | SYSTEM INSTL-ZONE<br>VENTILATION<br>(NHA 315T4295, REF<br>COLLECTOR CMM 78-31-48) | DS   | RF           |
| -1N         | 315T3128-45 |                     | SYSTEM INSTL-ZONE<br>VENTILATION<br>(NHA 315T4295, REF<br>COLLECTOR CMM 78-31-48) | DS   | RF           |
| 5           | BACS12CK4U8 |                     | .SCREW  | A-D,<br>J-N,V<br>,Y,Z,<br>AE,AF<br>,AJ,A<br>K<br>AN-AR<br>,AW,A<br>Y,BA,<br>BB,BE<br>,BF<br>BJ,BK<br>,BN,B<br>P,BS,<br>BT,BW<br>,BX<br>DS,DT | 1            |

# 71-11-56

 ILLUSTRATED PARTS LIST  
 01.1 Page 1044T  
 Nov 01/04

**BOEING**  
COMPONENT  
MAINTENANCE MANUAL

| FIG. & ITEM | PART NO.   | AIRLINE PART NUMBER | NOMENCLATURE   | EFF CODE   | QTY PER ASSY |
|-------------|------------|---------------------|--|--|--------------|
| 04-10       | BRH10C4M   |                     | 1234567<br>.NUT-<br>(V52828)<br>(SPEC BACN10JC4CM)<br>(OPT T6C428JM<br>(V11815))<br>(OPT 97E48<br>(V80539))<br>(OPT 109LH9075-4W<br>(V72962))<br>(OPT VN303D048<br>(V92215))<br>(OPT 9NS202101SE048<br>(VA8053))<br>(OPT H01-4BAC<br>(V15653)) | A-D,<br>J-N,V<br>,Y,Z,<br>AE,AF<br>,AJ,A<br>K<br>AN-AR<br>,AW,A<br>Y,BA,<br>BB,BE<br>,BF<br>BJ,BK<br>,BN,B<br>P,BS,<br>BT,BW<br>,BX<br>DS,DT | 1            |
| 15          | BACB30NW6K |                     | .BOLT-<br>(SIZE DETERMINE ON INST)   | A-D,<br>J-N,V<br>,Y,Z,<br>AE,AF<br>,AJ,A<br>K<br>AN-AR<br>,AW,A<br>Y,BA,<br>BB,BE<br>,BF<br>BJ,BK<br>,BN,B<br>P,BS,<br>BT,BW<br>,BX<br>DS,DT | 1            |

71-11-56

ILLUSTRATED PARTS LIST  
01.1 Page 1044U  
Nov 01/04

| FIG. & ITEM | PART NO.    | AIRLINE PART NUMBER | NOMENCLATURE  | EFF CODE   | QTY PER ASSY |
|-------------|-------------|---------------------|---|--|--------------|
| 04-20       | HL79-6      |                     | 1234567<br>.COLLAR-<br>(V5M902)<br>(SPEC BACC30M6)<br>(OPT HL79-6<br>(V73197))<br>(OPT HL79-6<br>(V92215))<br>(OPT 66014-6<br>(V56878))<br>(OPT HL79-6<br>(V56878)) | A-D,<br>J-N,V<br>,Y,Z,<br>AE,AF<br>,AJ,A<br>K<br>AN-AR<br>,AW,A<br>Y,BA,<br>BB,BE<br>,BF<br>BJ,BK<br>,BN,B<br>P,BS,<br>BT,BW<br>,BX<br>DS,DT | 1            |
| 25          | BACJ40A21-8 |                     | . JUMPER ASSY   | A-D,<br>J-N,V<br>,Y,Z,<br>AE,AF<br>,AJ,A<br>K<br>AN-AR<br>,AW,A<br>Y,BA,<br>BB,BE<br>,BF<br>BJ,BK<br>,BN,B<br>P,BS,<br>BT,BW<br>,BX<br>DS,DT | 1            |

# 71-11-56

 ILLUSTRATED PARTS LIST  
 01.1 Page 1044V  
 Nov 01/04

 **BOEING**  
COMPONENT  
MAINTENANCE MANUAL

| FIG. & ITEM | PART NO.    | AIRLINE PART NUMBER | NOMENCLATURE   | EFF CODE   | QTY PER ASSY |
|-------------|-------------|---------------------|--|--|--------------|
| 04-30       | 14J29300    |                     | .CLAMP-<br>(V5T400)<br>(SPEC BACC10GY300)<br>(OPT 4385AF300<br>(V94581))<br>(OPT PDVC1137300<br>(V14242))<br>(OPT NM102701300<br>(V8W928)) | A-D,<br>J-N,V<br>,Y,Z,<br>AE,AF<br>,AJ,A<br>K<br>AN-AR<br>,AW,A<br>Y,BA,<br>BB,BE<br>,BF<br>BJ,BK<br>,BN,B<br>P,BS,<br>BT,BW<br>,BX<br>DS,DT | 2            |
| 35          | BACS12CK3U8 |                     | .SCREW   | A-D,<br>J-N,V<br>,Y,Z,<br>AE,AF<br>,AJ,A<br>K<br>AN-AR<br>,AW,A<br>Y,BA,<br>BB,BE<br>,BF<br>BJ,BK<br>,BN,B<br>P,BS,<br>BT,BW<br>,BX<br>DS,DT | 2            |

71-11-56

ILLUSTRATED PARTS LIST  
01.1 Page 1044W  
Nov 01/04

| FIG. & ITEM     | PART NO.                 | AIRLINE PART NUMBER | NOMENCLATURE       | EFF CODE   | QTY PER ASSY |
|-----------------|--------------------------|---------------------|--------------------|--|--------------|
| 04-<br>40<br>45 | BACS12CK3U9<br>AN960C10L |                     | DELETED<br>.WASHER | A-D,<br>J-N,V<br>,Y,Z,<br>AE,AF<br>,AJ,A<br>K<br>AN-AR<br>,AW,A<br>Y,BA,<br>BB,BE<br>,BF<br>BJ,BK<br>,BN,B<br>P,BS,<br>BT,BW<br>,BX<br>DS,DT | 2            |
| 50              | NAS1716C48M              |                     | .CLAMP ASSY        | A-D,<br>J-N,V<br>,Y,Z,<br>AE,AF<br>,AJ,A<br>K<br>AN-AR<br>,AW,A<br>Y,BA,<br>BB,BE<br>,BF<br>BJ,BK<br>,BN,B<br>P,BS,<br>BT,BW<br>,BX<br>DS,DT | 1            |

# 71-11-56

 ILLUSTRATED PARTS LIST  
 01.1 Page 1044X  
 Nov 01/04

| FIG. & ITEM | PART NO.       | AIRLINE PART NUMBER | NOMENCLATURE | EFF CODE   | QTY PER ASSY |
|-------------|----------------|---------------------|--------------|--|--------------|
| 04-55       | BACS40R006W044 |                     | .SHIM        | A-D,<br>J-N,V<br>,Y,Z,<br>AE,AF<br>,AJ,A<br>K<br>AN-AR<br>,AW,A<br>Y,BA,<br>BB,BE<br>,BF<br>BJ,BK<br>,BN,B<br>P,BS,<br>BT,BW<br>,BX<br>DS,DT | 1            |
| 60          | BACS12CK3U8    |                     | .SCREW       | A-D,<br>J-N,V<br>,Y,Z,<br>AE,AF<br>,AJ,A<br>K<br>AN-AR<br>,AW,A<br>Y,BA,<br>BB,BE<br>,BF<br>BJ,BK<br>,BN,B<br>P,BS,<br>BT,BW<br>,BX<br>DS,DT | 1            |

71-11-56

ILLUSTRATED PARTS LIST  
01.1 Page 1044Y  
Nov 01/04

| FIG. & ITEM | PART NO.      | AIRLINE PART NUMBER | NOMENCLATURE<br>1234567   | EFF CODE   | QTY PER ASSY |
|-------------|---------------|---------------------|---|--|--------------|
| 04-65       | BRH10C3M      |                     | .NUT-<br>(V52828)<br>(SPEC BACN10JC3CM)<br>(OPT T6C1032JM<br>(V11815))<br>(OPT 97E02<br>(V80539))<br>(OPT 109LH9075-3W<br>(V72962))<br>(OPT VN303D02<br>(V92215))<br>(OPT NS202101SE02<br>(V80539))<br>(OPT H01-3BAC<br>(V15653)) | A-D,<br>J-N,V<br>,Y,Z,<br>AE,AF<br>,AJ,A<br>K<br>AN-AR<br>,AW,A<br>Y,BA,<br>BB,BE<br>,BF<br>BJ,BK<br>,BN,B<br>P,BS,<br>BT,BW<br>,BX<br>DS,DT | 1            |
| 70          | JM44LC13WH12R |                     | .CLAMP-<br>(V22175)<br>(SPEC BACC10GE12C)<br>(OPT S369WHSS12<br>(V18076))<br>(OPT TA12C32WH12<br>(V84971))<br>(OPT 509SS12<br>(V83930))   | A-D,<br>J-N,V<br>,Y,Z,<br>AE,AF<br>,AJ,A<br>K<br>AN-AR<br>,AW,A<br>Y,BA,<br>BB,BE<br>,BF<br>BJ,BK<br>,BN,B<br>P,BS,<br>BT,BW<br>,BX<br>DS,DT | 1            |

# 71-11-56

 ILLUSTRATED PARTS LIST  
 01.1 Page 1044Z  
 Nov 01/04



| FIG. & ITEM | PART NO.        | AIRLINE PART NUMBER | NOMENCLATURE | EFF CODE   | QTY PER ASSY |
|-------------|-----------------|---------------------|--------------|--|--------------|
| 04-75       | MS35842-11      |                     | .CLAMP       | A-D,<br>J-N,V<br>,Y,Z,<br>AE,AF<br>,AJ,A<br>K<br>AN-AR<br>,AW,A<br>Y,BA,<br>BB,BE<br>,BF<br>BJ,BK<br>,BN,B<br>P,BS,<br>BT,BW<br>,BX<br>DS,DT | 2            |
| 80          | BACD40B3-9-5-30 |                     | .HOSE-AIR    | A-D,<br>J-N,V<br>,Y,Z,<br>AE,AF<br>,AJ,A<br>K<br>AN-AR<br>,AW,A<br>Y,BA,<br>BB,BE<br>,BF<br>BJ,BK<br>,BN,B<br>P,BS,<br>BT,BW<br>,BX<br>DS,DT | 1            |

71-11-56

ILLUSTRATED PARTS LIST

01.1

Page 1045

Nov 01/04

| FIG. & ITEM | PART NO.    | AIRLINE PART NUMBER | NOMENCLATURE<br>1234567                         | EFF CODE  | QTY PER ASSY |
|-------------|-------------|---------------------|---|---|--------------|
| 04-85       | BACS12CK3U8 |                     | .SCREW-<br>(USED ON ITEMS 1, 1A,<br>1B, 1D, 1F) | A-D,J<br>,K,M,<br>,N,AE,<br>,AF,AJ<br>,AK<br>,AN-AR<br>,AW,A<br>,Y                            | 1            |
| -85A        | BACS12CK3U8 |                     | .SCREW-<br>(LIMITED)<br>(USED ON ITEMS 1C, 1E)  | L,V,Y<br>,Z,AW<br>,AY,<br>,BA,BB<br>,BE,B<br>,F<br>,BJ,BK<br>,BN,B<br>,P,BS,<br>,BT,BW<br>,BX | 1            |
| 86          | BACB30NM3K6 |                     | .BOLT-<br>(LIMITED)<br>(USED ON ITEMS 1C, 1E)   | L,V,Y<br>,Z,AW<br>,AY,<br>,BA,BB<br>,BE,B<br>,F<br>,BJ,BK<br>,BN,B<br>,P,BS,<br>,BT,BW<br>,BX | 1            |
| -86A        | NAS1801-3   |                     | .SCREW-<br>(SIZE DETERMINE ON INST)             | DS,DT   | 1            |

# 71-11-56

 ILLUSTRATED PARTS LIST  
 01.1 Page 1046  
 Nov 01/04

 **BOEING**  
COMPONENT  
MAINTENANCE MANUAL

| FIG. & ITEM      | PART NO.                                  | AIRLINE PART NUMBER | NOMENCLATURE<br>1234567   | EFF CODE  | QTY PER ASSY |
|------------------|---|---------------------|---|---|--------------|
| 04-87            | NAS1149C0332R                             |                     | .WASHER-<br>(LIMITED)<br>(USED ON ITEMS 1C, 1E)                       | L,V,Y<br>,Z,AW<br>,AY,<br>BA,BB<br>,BE,B<br>F<br>BJ,BK<br>,BN,B<br>P,BS,<br>BT,BW<br>,BX<br>DS,DT | 1            |
| -87A<br>90<br>91 | NAS1149C0332R<br>BACB30LM3U4<br>BACC10HS6 |                     | .WASHER<br>DELETED<br>.CLAMP-<br>(USED ON ITEMS 1, 1A,<br>1B, 1D, 1F) | A-D,J<br>,K,M,<br>N,AE,<br>AF,AJ<br>,AK<br>AN-AR<br>,AW,A<br>Y                                    | 1            |
| -91A             | BACC10HS6                                 |                     | .CLAMP-<br>(LIMITED)<br>(USED ON ITEMS 1C, 1E)                        | L,V,Y<br>,Z,AW<br>,AY,<br>BA,BB<br>,BE,B<br>F<br>BJ,BK<br>,BN,B<br>P,BS,<br>BT,BW<br>,BX          | 1            |

71-11-56

ILLUSTRATED PARTS LIST  
01.1 Page 1046A  
Nov 01/04

| FIG. & ITEM   | PART NO.                     | AIRLINE PART NUMBER | NOMENCLATURE<br>1234567   | EFF CODE  | QTY PER ASSY |
|---------------|------------------------------|---------------------|---|---|--------------|
| 04-92<br>-92A | BACC10GT2-06<br>BACC10GT2-06 |                     | .CLAMPSHELL<br>.CLAMPSHELL-<br>(LIMITED)<br>(USED ON ITEMS 1A, 1B,<br>1D, 1F) | A<br>B-D,J<br>,K,M,<br>N,AE,<br>AF,AJ<br>,AK<br>AN-AR<br>,AW,A<br>Y   | 2<br>2       |
| -92B          | BACC10GT2-06P                |                     | .CLAMPSHELL-<br>(LIMITED)<br>(USED ON ITEMS 1A, 1B,<br>1C, 1D, 1E, 1F)        | B-D,<br>J-N,V<br>,Y,Z,<br>AE,AF<br>,AJ,A<br>K<br>AN-AR<br>,AW,A<br>Y,BA,<br>BB,BE<br>,BF<br>BJ,BK<br>,BN,B<br>P,BS,<br>BT,BW<br>,BX | 2            |
| 93            | BACC10GT3-06                 |                     | .CLAMP ASSY-<br>(LIMITED)<br>(USED ON ITEMS 1C, 1E)                           | L,V,Y<br>,Z,AW<br>,AY,<br>BA,BB<br>,BE,B<br>F<br>BJ,BK<br>,BN,B<br>P,BS,<br>BT,BW<br>,BX  | 1            |
| -93A          | TA027016-06                  |                     | .CLAMP-<br>(V84971)   | DS,DT   | 1            |

# 71-11-56

 ILLUSTRATED PARTS LIST  
 01.1 Page 1046B  
 Nov 01/04

 **BOEING**  
COMPONENT  
MAINTENANCE MANUAL

| FIG. & ITEM | PART NO.   | AIRLINE PART NUMBER | NOMENCLATURE<br>1234567  | EFF CODE   | QTY PER ASSY |
|-------------|------------|---------------------|--|--|--------------|
| 04-94       | NAS6703-14 |                     | .BOLT-<br>(USED ON ITEMS 1, 1A,<br>1B, 1D, 1F)                             | A-D,J<br>,K,M,<br>N,AE,<br>AF,AJ<br>,AK<br>AN-AR<br>,AW,A<br>Y                           | 1            |
| -94A        | NAS6703-14 |                     | .BOLT-<br>(LIMITED)<br>(USED ON ITEMS 1C, 1E)                              | L,V,Y<br>,Z,AW<br>,AY,<br>BA,BB<br>,BE,B<br>F<br>BJ,BK<br>,BN,B<br>P,BS,<br>BT,BW<br>,BX | 1            |
| -94B        | NAS1801-3  |                     | .SCREW-<br>(LIMITED)<br>(SIZE DETERMINE ON INST)<br>(USED ON ITEMS 1C, 1E) | L,V,Y<br>,Z,AW<br>,AY,<br>BA,BB<br>,BE,B<br>F<br>BJ,BK<br>,BN,B<br>P,BS,<br>BT,BW<br>,BX | 1            |
| -94C        | NAS1801-3  |                     | .SCREW-<br>(SIZE DETERMINE ON INST)  | DS,DT  | 1            |

71-11-56

ILLUSTRATED PARTS LIST  
01.1 Page 1046C  
Nov 01/04

| FIG. & ITEM | PART NO.      | AIRLINE PART NUMBER | NOMENCLATURE<br>1234567                          | EFF CODE   | QTY PER ASSY |
|-------------|---------------|---------------------|--|--|--------------|
| 04-95       | AN960PD10     |                     | .WASHER-<br>(USED ON ITEMS 1, 1A,<br>1B, 1D, 1F) | A-D,J<br>,K,M,<br>,N,AE,<br>,AF,AJ<br>,AK<br>AN-AR<br>,AW,A<br>Y                         | 1            |
| -95A        | AN960PD10     |                     | .WASHER-<br>(LIMITED)<br>(USED ON ITEMS 1C, 1E)  | L,V,Y<br>,Z,AW<br>,AY,<br>BA,BB<br>,BE,B<br>F<br>BJ,BK<br>,BN,B<br>P,BS,<br>BT,BW<br>,BX | 1            |
| -95B        | NAS1149C0332R |                     | .WASHER-<br>(LIMITED)<br>(USED ON ITEMS 1C, 1E)  | L,V,Y<br>,Z,AW<br>,AY,<br>BA,BB<br>,BE,B<br>F<br>BJ,BK<br>,BN,B<br>P,BS,<br>BT,BW<br>,BX | 1            |
| -95C        | NAS1149C0332R |                     | .WASHER  | DS,DT  | 1            |

# 71-11-56

 ILLUSTRATED PARTS LIST  
 01.1 Page 1046D  
 Nov 01/04

**BOEING**  
COMPONENT  
MAINTENANCE MANUAL

| FIG. & ITEM | PART NO. | AIRLINE PART NUMBER | NOMENCLATURE<br>1234567  | EFF CODE  | QTY PER ASSY |
|-------------|----------|---------------------|--|---|--------------|
| 04-96       | H10-3BAC |                     | .NUT-<br>(V15653)<br>(SPEC BACN10JC3)<br>(OPT NS202101-02 (V80539))<br>(OPT RMLH9075-3W (V72962))<br>(OPT VN303A02 (V92215))<br>(OPT 96-02 (V80539))<br>(OPT BRH10A3 (V52828))<br>(OPT T6S1032J (V11815))<br>(USED ON ITEMS 1, 1A, 1B, 1D, 1F)   | A-D, J<br>,K, M,<br>N, AE,<br>AF, AJ<br>,AK<br>AN-AR<br>,AW, A<br>Y                               | 1            |
| -96A        | H10-3BAC |                     | .NUT-<br>(V15653)<br>(SPEC BACN10JC3)<br>(OPT NS202101-02 (V80539))<br>(OPT RMLH9075-3W (V72962))<br>(OPT VN303A02 (V92215))<br>(OPT 96-02 (V80539))<br>(OPT BRH10A3 (V52828))<br>(OPT T6S1032J (V11815))<br>(LIMITED)<br>(USED ON ITEMS 1C, 1E) | L, V, Y<br>,Z, AW<br>,AY,<br>BA, BB<br>,BE, B<br>F<br>BJ, BK<br>,BN, B<br>P, BS,<br>BT, BW<br>,BX | 1            |

71-11-56

ILLUSTRATED PARTS LIST  
01.1 Page 1046E  
Nov 01/04

| FIG. & ITEM | PART NO.    | AIRLINE PART NUMBER | NOMENCLATURE<br>1234567   | EFF CODE  | QTY PER ASSY |
|-------------|-------------|---------------------|---|---|--------------|
| 04-<br>-96B | H52732-3CM  |                     | .NUT-<br>(V15653)<br>(SPEC BACN10YR3CM)<br>(OPT PLH53CM<br>(V62554))<br>(LIMITED)<br>(USED ON ITEMS 1C, 1E) | L,V,Y<br>,Z,AW<br>,AY,<br>BA,BB<br>,BE,B<br>F<br>BJ,BK<br>,BN,B<br>P,BS,<br>BT,BW<br>,BX<br>DS,DT                                   | 1            |
| -96C        | H52732-3CM  |                     | .NUT-<br>(V15653)<br>(SPEC BACN10YR3CM)<br>(OPT PLH53CM<br>(V62554))  |   | 1            |
| 97          | NAS43DD3-56 |                     | .SPACER   | A-D,<br>J-N,V<br>,Y,Z,<br>AE,AF<br>,AJ,A<br>K<br>AN-AR<br>,AW,A<br>Y,BA,<br>BB,BE<br>,BF<br>BJ,BK<br>,BN,B<br>P,BS,<br>BT,BW<br>,BX | 1            |

# 71-11-56

 ILLUSTRATED PARTS LIST  
 01.1 Page 1046F  
 Nov 01/04



 **BOEING**  
COMPONENT  
MAINTENANCE MANUAL

| FIG. & ITEM | PART NO.      | AIRLINE PART NUMBER | NOMENCLATURE                         | EFF CODE   | QTY PER ASSY |
|-------------|---------------|---------------------|--------------------------------------|--|--------------|
|             |               |                     | 1234567                              |  |              |
| 04-         |               |                     |                                      |  |              |
| -97A        | NAS43DD3-56FC |                     | .SPACER                              | DS,DT  | 1            |
| 100         | H10-3BAC      |                     | DELETED                              |  |              |
| 100A        | BACN10JC3CM   |                     | DELETED                              |  |              |
| 101         | BACC10HS6     |                     | .CLAMP-                              | A-D,J  | 1            |
|             |               |                     | (USED ON ITEMS 1, 1A,<br>1B, 1D, 1F) | ,K,M,<br>N,AE,<br>AF,AJ<br>,AK<br>AN-AR<br>,AW,A<br>Y                  |              |
| -101A       | BACC10HS6     |                     | .CLAMP-                              | L,V,Y  | 1            |
|             |               |                     | (LIMITED)                            | ,Z,AW  |              |
|             |               |                     | (USED ON ITEMS 1C, 1E)               | ,AY,<br>BA,BB<br>,BE,B<br>F<br>BJ,BK<br>,BN,B<br>P,BS,<br>BT,BW<br>,BX |              |
| 102         | BACC10GT2-06  |                     | .CLAMPSHELL                          | A  | 2            |
| -102A       | BACC10GT2-06  |                     | .CLAMPSHELL-                         | B-D,J  | 2            |
|             |               |                     | (LIMITED)                            | ,K,M,<br>N,AE,<br>AF,AJ<br>,AK<br>AN-AR<br>,AW,A<br>Y                  |              |
|             |               |                     | (USED ON ITEMS 1A, 1B,<br>1D, 1F)    |  |              |

71-11-56

ILLUSTRATED PARTS LIST  
01.1 Page 1046G  
Nov 01/04

| FIG. & ITEM  | PART NO.      | AIRLINE PART NUMBER | NOMENCLATURE<br>1234567  | EFF CODE  | QTY PER ASSY |
|--------------|---------------|---------------------|--|---|--------------|
| 04-<br>-102B | BACC10GT2-06P |                     | .CLAMPSHELL-<br>(LIMITED)<br>(USED ON ITEMS 1A, 1B,<br>1C, 1D, 1E, 1F) | B-D,<br>J-N,V<br>,Y,Z,<br>AE,AF<br>,AJ,A<br>K<br>AN-AR<br>,AW,A<br>Y,BA,<br>BB,BE<br>,BF<br>BJ,BK<br>,BN,B<br>P,BS,<br>BT,BW<br>,BX | 2            |
| 103          | TA027016-06   |                     | .CLAMP-<br>(LIMITED)<br>(V84971)<br>(USED ON ITEMS 1C, 1E)             | L,V,Y<br>,Z,AW<br>,AY,<br>BA,BB<br>,BE,B<br>F<br>BJ,BK<br>,BN,B<br>P,BS,<br>BT,BW<br>,BX  | 1            |
| -103A        | TA027016-06   |                     | .CLAMP-<br>(V84971)  | DS,DT   | 1            |

# 71-11-56

 ILLUSTRATED PARTS LIST  
 01.1 Page 1046H  
 Nov 01/04

 **BOEING**  
COMPONENT  
MAINTENANCE MANUAL

| FIG. & ITEM                        | PART NO.  | AIRLINE PART NUMBER | NOMENCLATURE<br>1234567  | EFF CODE  | QTY PER ASSY |
|------------------------------------|---|---------------------|--|---|--------------|
| 04-<br>105<br>105A<br>-105B<br>106 | JP0030-4<br>025029-06<br>025029-04<br>BACS12CK3U8 |                     | DELETED<br>DELETED<br>DELETED<br>.SCREW-<br>(USED ON ITEMS 1, 1A,<br>1B, 1D, 1F) | A-D, J<br>,K, M,<br>N, AE,<br>AF, AJ<br>,AK<br>AN-AR<br>,AW, A<br>Y                               | 6            |
| -106A                              | BACS12CK3U8                                       |                     | .SCREW-<br>(LIMITED)<br>(USED ON ITEMS 1C, 1E)                                   | L, V, Y<br>,Z, AW<br>,AY,<br>BA, BB<br>,BE, B<br>F<br>BJ, BK<br>,BN, B<br>P, BS,<br>BT, BW<br>,BX | 6            |
| 107                                | NAS1801-3   |                     | .SCREW-<br>(LIMITED)<br>(SIZE DETERMINE ON INST)<br>(USED ON ITEMS 1C, 1E)       | L, V, Y<br>,Z, AW<br>,AY,<br>BA, BB<br>,BE, B<br>F<br>BJ, BK<br>,BN, B<br>P, BS,<br>BT, BW<br>,BX | 6            |

71-11-56

ILLUSTRATED PARTS LIST  
01.1 Page 1046I  
Nov 01/04

| FIG. & ITEM  | PART NO.      | AIRLINE PART NUMBER | NOMENCLATURE<br>1234567   | EFF CODE   | QTY PER ASSY |
|--------------|---------------|---------------------|---|--|--------------|
| 04-<br>-107A | NAS1801-3     |                     | .SCREW-<br>(SIZE DETERMINE ON INST)   | DS,DT  | 6            |
| 108          | NAS1149C0332R |                     | .WASHER-<br>(LIMITED)<br>(USED ON ITEMS 1C, 1E)   | L,V,Y<br>,Z,AW<br>,AY,<br>BA,BB<br>,BE,B<br>F<br>BJ,BK<br>,BN,B<br>P,BS,<br>BT,BW<br>,BX | 6            |
| -108A        | NAS1149C0332R |                     | .WASHER   | DS,DT  | 6            |
| 109          | H52732-3CM    |                     | .NUT-<br>(V15653)<br>(SPEC BACN10YR3CM)<br>(OPT PLH53CM<br>(V62554))<br>(LIMITED)<br>(USED ON ITEMS 1C, 1E) | L,V,Y<br>,Z,AW<br>,AY,<br>BA,BB<br>,BE,B<br>F<br>BJ,BK<br>,BN,B<br>P,BS,<br>BT,BW<br>,BX | 2            |
| -109A        | H52732-3CM    |                     | .NUT-<br>(V15653)<br>(SPEC BACN10YR3CM)<br>(OPT PLH53CM<br>(V62554))  | DS,DT  | 2            |
| 110          | JP0030-6      |                     | DELETED   |  |              |
| 110A         | S500-6        |                     | DELETED   |  |              |
| 113          | BACC10HS6     |                     | .CLAMP-<br>(USED ON ITEMS 1, 1A,<br>1B, 1D, 1F)   | A-D,J<br>,K,M,<br>N,AE,<br>AF,AJ<br>,AK<br>AN-AR<br>,AW,A<br>Y                           | 6            |

# 71-11-56

 ILLUSTRATED PARTS LIST  
 01.1 Page 1046J  
 Nov 01/04

**BOEING**  
COMPONENT  
MAINTENANCE MANUAL

| FIG. & ITEM  | PART NO.                      | AIRLINE PART NUMBER | NOMENCLATURE  | EFF CODE   | QTY PER ASSY |
|--------------|-------------------------------|---------------------|---|--|--------------|
| 04-<br>-113A | BACC10HS6                     |                     | .CLAMP-<br>(LIMITED)<br>(USED ON ITEMS 1C, 1E)  | L,V,Y<br>,Z,AW<br>,AY,<br>BA,BB<br>,BE,B<br>F<br>BJ,BK<br>,BN,B<br>P,BS,<br>BT,BW<br>,BX   | 6            |
| 115<br>-115A | BACC10GT2-06<br>BACC10GT2-06P |                     | .CLAMPSHELL<br>.CLAMPSHELL-<br>(LIMITED)<br>(USED ON ITEMS 1A, 1B,<br>1C, 1D, 1E, 1F) | A<br>B-D,<br>J-N,V<br>,Y,Z,<br>AE,AF<br>,AJ,A<br>K<br>AN-AR<br>,AW,A<br>Y,BA,<br>BB,BE<br>,BF<br>BJ,BK<br>,BN,B<br>P,BS,<br>BT,BW<br>,BX | 12<br>12     |
| -115B        | BACC10GT2-06                  |                     | .CLAMPSHELL-<br>(LIMITED)<br>(USED ON ITEMS 1A, 1B,<br>1D, 1F)                        | B-D,J<br>,K,M,<br>N,AE,<br>AF,AJ<br>,AK<br>AN-AR<br>,AW,A<br>Y   | 12           |

71-11-56

ILLUSTRATED PARTS LIST  
01.1 Page 1046K  
Nov 01/04

| FIG. & ITEM | PART NO.    | AIRLINE PART NUMBER | NOMENCLATURE<br>1234567                                    | EFF CODE   | QTY PER ASSY |
|-------------|-------------|---------------------|--|--|--------------|
| 04-117      | TA027016-06 |                     | .CLAMP-<br>(LIMITED)<br>(V84971)<br>(USED ON ITEMS 1C, 1E) | L,V,Y<br>,Z,AW<br>,AY,<br>BA,BB<br>,BE,B<br>F<br>BJ,BK<br>,BN,B<br>P,BS,<br>BT,BW<br>,BX<br>DS,DT  | 6            |
| -117A       | TA027016-06 |                     | .CLAMP-<br>(V84971)  | DS,DT  | 6            |
| 120         | MS21902J6   |                     | .UNION   | A-D,<br>J-N,V<br>,Y,Z,<br>AE,AF<br>,AJ,A<br>K<br>AN-AR<br>,AW,A<br>Y,BA,<br>BB,BE<br>,BF<br>BJ,BK<br>,BN,B<br>P,BS,<br>BT,BW<br>,BX<br>DS,DT | 1            |

# 71-11-56

 ILLUSTRATED PARTS LIST  
 01.1 Page 1046L  
 Nov 01/04

 **BOEING**  
COMPONENT  
MAINTENANCE MANUAL

| FIG. & ITEM | PART NO.     | AIRLINE PART NUMBER | NOMENCLATURE   | EFF CODE   | QTY PER ASSY |
|-------------|--------------|---------------------|--|--|--------------|
| 04-123      | AS568-906S32 |                     | 1234567<br>.PACKING-<br>(V11314)<br>(SPEC BACP11K6)<br>(OPT 150701-06<br>(V95272))<br>(OPT 3-906S383-70<br>(V02697))<br>(OPT R1131-906<br>(V57268))<br>(OPT R1131-906<br>(V57268))<br>(LIMITED)<br>(USED ON ITEMS 1B, 1C,<br>1E, 1F) | L,V,Y<br>,Z,AF<br>,AW-A<br>Y,BA,<br>BB,BE<br>BF,BJ<br>,BK,B<br>N,BP,<br>BS,BT<br>,BW<br>BX | 1            |
| -123A       | AS568-906S32 |                     | .PACKING-<br>(V11314)<br>(SPEC BACP11K6)<br>(OPT 3-906S383-70<br>(V02697))<br>(OPT R1131-906<br>(V57268))<br>(OPT 1090-06<br>(V95272))<br>(OPT 150701-06<br>(V95272))  | DS,DT  | 1            |
| 125         | 315T3128-11  |                     | .TUBE ASSY-<br>(MFD FROM TUBING CRES<br>21-6-9 BMS7-185 F-25.01<br>0.375 IN. OD 0.020 IN.<br>WALL 31.5 IN. LG)<br>(USED ON ITEMS 1, 1A,<br>1B, 1D, 1F)   | A-D,J<br>,K,M,<br>N,AE,<br>AF,AJ<br>,AK<br>AN-AR<br>,AW,A<br>Y                             | 1            |

71-11-56

ILLUSTRATED PARTS LIST  
01.1 Page 1046M  
Nov 01/04

| FIG. & ITEM  | PART NO.    | AIRLINE PART NUMBER | NOMENCLATURE  | EFF CODE   | QTY PER ASSY |
|--------------|-------------|---------------------|---|--|--------------|
| 04-<br>-125A | 315T3128-11 |                     | .TUBE ASSY-<br>(LIMITED)<br>(MFD FROM TUBING CRES<br>21-6-9 BMS7-185 F-25.01<br>0.375 IN. OD 0.020 IN.<br>WALL 31.5 IN. LG)<br>(USED ON ITEMS 1C, 1E)   | L,V,Y<br>,Z,AW<br>,AY,<br>BA,BB<br>,BE,B<br>F<br>BJ,BK<br>,BN,B<br>P,BS,<br>BT,BW<br>,BX | 1            |
| -125B        | 315T3128-28 |                     | .TUBE ASSY-<br>(LIMITED)<br>(315T3128-28 T/W<br>315T3128-25 R/B ONE WAY<br>FORWARD 315T3128-32 T/W<br>315T3128-29)<br>(MFD FROM TUBING CRES<br>21-6-9 BMS7-185 F-25.01<br>0.375 IN. OD 0.020 IN.<br>WALL 31.5 IN. LG)<br>(USED ON ITEMS 1C, 1E) | L,V,Y<br>,Z,AW<br>,AY,<br>BA,BB<br>,BE,B<br>F<br>BJ,BK<br>,BN,B<br>P,BS,<br>BT,BW<br>,BX | 1            |
| -125C        | 315T3128-32 |                     | .TUBE ASSY-<br>(LIMITED)<br>(315T3128-28 T/W<br>315T3128-25 R/B ONE WAY<br>FORWARD 315T3128-32 T/W<br>315T3128-29)<br>(MFD FROM TUBING CRES<br>21-6-9 BMS7-185 F-25.01<br>0.375 IN. OD 0.020 IN.<br>WALL 31.5 IN. LG)<br>(USED ON ITEMS 1C, 1E) | L,V,Y<br>,Z,AW<br>,AY,<br>BA,BB<br>,BE,B<br>F<br>BJ,BK<br>,BN,B<br>P,BS,<br>BT,BW<br>,BX | 1            |
| -125D        | 315T3128-32 |                     | .TUBE ASSY-<br>(315T3128-28 T/W<br>315T3128-25 R/B ONE WAY<br>FORWARD 315T3128-32 T/W<br>315T3128-29)<br>(MFD FROM TUBING CRES<br>21-6-9 BMS7-185 F-25.01<br>0.375 IN. OD 0.020 IN.<br>WALL 31.5 IN. LG)  | DS,DT  | 1            |

# 71-11-56

 ILLUSTRATED PARTS LIST  
 01.1 Page 1046N  
 Nov 01/04



**BOEING**  
COMPONENT  
MAINTENANCE MANUAL

| FIG. & ITEM | PART NO.    | AIRLINE PART NUMBER | NOMENCLATURE   | EFF CODE   | QTY PER ASSY |
|-------------|-------------|---------------------|--|--|--------------|
| 04-<br>-130 | DB0S13BX06H |                     | 1234567<br>..SLEEVE-<br>(V14798)<br>(SPEC BACS13BX06H)<br>(OPT 2-02903-06H<br>(V11328))<br>(OPT 35235V06<br>(V08199))<br>(OPT AP2097-06H<br>(V01673))<br>(OPT AFP175V06<br>(V30974)) | A-D,<br>J-N,V<br>,Y,Z,<br>AE,AF<br>,AJ,A<br>K<br>AN-AR<br>,AW,A<br>Y,BA,<br>BB,BE<br>,BF<br>BJ,BK<br>,BN,B<br>P,BS,<br>BT,BW<br>,BX<br>DS,DT | 1            |
| -135        | MS21921-6J  |                     | ..NUT  | A-D,<br>J-N,V<br>,Y,Z,<br>AE,AF<br>,AJ,A<br>K<br>AN-AR<br>,AW,A<br>Y,BA,<br>BB,BE<br>,BF<br>BJ,BK<br>,BN,B<br>P,BS,<br>BT,BW<br>,BX<br>DS,DT | 1            |

71-11-56

ILLUSTRATED PARTS LIST  
01.1 Page 10460  
Nov 01/04

| FIG. & ITEM | PART NO.    | AIRLINE PART NUMBER | NOMENCLATURE   | EFF CODE   | QTY PER ASSY |
|-------------|-------------|---------------------|--|--|--------------|
| 04-<br>-140 | DBOU24AB6H  |                     | 1234567<br><br>..UNION-<br>(V14798)<br>(SPEC BACU24AB6H)<br>(OPT 2-01027-6H<br>(V11328))<br>(OPT 31875-6H<br>(V14397))<br>(OPT 4671097H6<br>(V50948))<br>(OPT 35056V06<br>(V08199))<br>(OPT AP1004H06<br>(V01673))<br>(OPT AFP941H6<br>(V30974)) | A-D,<br>J-N,V<br>,Y,Z,<br>AE,AF<br>,AJ,A<br>K<br>AN-AR<br>,AW,A<br>Y,BA,<br>BB,BE<br>,BF<br>BJ,BK<br>,BN,B<br>P,BS,<br>BT,BW<br>,BX<br>DS,DT | 1            |
| 145         | 315T3128-3  |                     | .TUBE ASSY-<br>(LIMITED)<br>(MFD FROM TUBING CRES<br>21-6-9 BMS7-185 F-25.01<br>0.375 IN. OD 0.028 IN.<br>WALL 55.0 IN. LG)<br>(USED ON ITEMS 1A, 1B,<br>1D, 1F)   | B-D,J<br>,K,M,<br>N,AE,<br>AF,AJ<br>,AK<br>AN-AR<br>,AW,A<br>Y   | 1            |
| -145A       | 315T3128-25 |                     | .TUBE ASSY-<br>(LIMITED)<br>(315T3128-28 T/W<br>315T3128-25 R/B ONE WAY<br>FORWARD 315T3128-32 T/W<br>315T3128-29)<br>(MFD FROM TUBING ALUM<br>MAGN 0.345 OD 0.035W<br>55.0 LG 6061T6 WWT700-6)<br>(USED ON ITEMS 1A, 1B,<br>1C, 1D, 1E, 1F)     | B-D,<br>J-N,V<br>,Y,Z,<br>AE,AF<br>,AJ,A<br>K<br>AN-AR<br>,AW,A<br>Y,BA,<br>BB,BE<br>,BF<br>BJ,BK<br>,BN,B<br>P,BS,<br>BT,BW<br>,BX          | 1            |
| -145B       | 315T3128-25 |                     | DELETED  |  |              |

# 71-11-56

 ILLUSTRATED PARTS LIST  
 01.1 Page 1046P  
 Nov 01/04

 **BOEING**  
COMPONENT  
MAINTENANCE MANUAL

| FIG. & ITEM  | PART NO.    | AIRLINE PART NUMBER | NOMENCLATURE   | EFF CODE   | QTY PER ASSY |
|--------------|-------------|---------------------|--|--|--------------|
|              |             |                     | 1234567  |  |              |
| 04-<br>-145C | 315T3128-3  |                     | .TUBE ASSY-<br>(MFD FROM TUBING CRES<br>21-6-9 BMS7-185 F-25.01<br>0.375 IN. OD 0.028 IN.<br>WALL 55.0 IN. LG)   | A  | 1            |
| -145D        | 315T3128-29 |                     | .TUBE ASSY-<br>(LIMITED)<br>(315T3128-28 T/W<br>315T3128-25 R/B ONE WAY<br>FORWARD 315T3128-32 T/W<br>315T3128-29)<br>(MFD FROM TUBING ALUM<br>MAGN 0.375 OD. 0.035W<br>55.0 LG 6061-T6<br>WW-T-700/6)<br>(USED ON ITEMS 1C, 1E) | L,V,Y<br>,Z,AW<br>,AY,<br>BA,BB<br>,BE,B<br>F<br>BJ,BK<br>,BN,B<br>P,BS,<br>BT,BW<br>,BX | 1            |
| -145E        | 315T3128-29 |                     | .TUBE ASSY-<br>(315T3128-28 T/W<br>315T3128-25 R/B ONE WAY<br>FORWARD 315T3128-32 T/W<br>315T3128-29)<br>(MFD FROM TUBING ALUM<br>MAGN 0.375 OD. 0.035W<br>55.0 LG 6061-T6<br>WW-T-700/6)  | DS,DT  | 1            |
| -150         | DB0S13BX06H |                     | ..SLEEVE-<br>(V14798)<br>(SPEC BACS13BX06H)<br>(OPT 2-02903-06H<br>(V11328))<br>(OPT 35235V06<br>(V08199))<br>(OPT AP2097-06H<br>(V01673))<br>(OPT AFP175V06<br>(V30974))<br>(USED ON ITEMS 145,<br>145C)                        | A-D,J<br>,K,M,<br>N,AE,<br>AF,AJ<br>,AK<br>AN-AR<br>,AW,A<br>Y                           | 2            |

71-11-56

| FIG. & ITEM  | PART NO.     | AIRLINE PART NUMBER | NOMENCLATURE<br>1234567   | EFF CODE   | QTY PER ASSY |
|--------------|--------------|---------------------|---|--|--------------|
| 04-<br>-150A | DB0S13BX06HP |                     | ..SLEEVE-<br>(V14798)<br>(SPEC BACS13BX06HP)<br>(OPT 2-02903-06HP<br>(V11328))<br>(OPT 35235VN06<br>(V08199))<br>(OPT AP2097-06HP<br>(V01673))<br>(OPT AFP175V06P<br>(V30974))<br>(USED ON ITEMS 145A,<br>145D, 145E) | B-D,<br>J-N,V<br>,Y,Z,<br>AE,AF<br>,AJ,A<br>K<br>AN-AR<br>,AW,A<br>Y,BA,<br>BB,BE<br>,BF<br>BJ,BK<br>,BN,B<br>P,BS,<br>BT,BW<br>,BX<br>DS,DT | 2            |
| -155         | MS21921-6J   |                     | ..NUT   | A-D,<br>J-N,V<br>,Y,Z,<br>AE,AF<br>,AJ,A<br>K<br>AN-AR<br>,AW,A<br>Y,BA,<br>BB,BE<br>,BF<br>BJ,BK<br>,BN,B<br>P,BS,<br>BT,BW<br>,BX<br>DS,DT | 2            |

# 71-11-56

 ILLUSTRATED PARTS LIST  
 01.1 Page 1046R  
 Nov 01/04

 **BOEING**  
COMPONENT  
MAINTENANCE MANUAL

| FIG. & ITEM | PART NO.                 | AIRLINE PART NUMBER | NOMENCLATURE       | EFF CODE   | QTY PER ASSY |
|-------------|--------------------------|---------------------|--------------------|--|--------------|
| 04-160      | AN924-6J                 |                     | 1234567<br>.NUT    | A-D,<br>J-N,V<br>,Y,Z,<br>AE,AF<br>,AJ,A<br>K<br>AN-AR<br>,AW,A<br>Y,BA,<br>BB,BE<br>,BF<br>BJ,BK<br>,BN,B<br>P,BS,<br>BT,BW<br>,BX<br>DS,DT | 1            |
| 165<br>165A | AN960C916<br>BACW10P253S |                     | DELETED<br>.WASHER | A-D,<br>J-N,V<br>,Y,Z,<br>AE,AF<br>,AJ,A<br>K<br>AN-AR<br>,AW,A<br>Y,BA,<br>BB,BE<br>,BF<br>BJ,BK<br>,BN,B<br>P,BS,<br>BT,BW<br>,BX<br>DS,DT | 2            |

71-11-56

ILLUSTRATED PARTS LIST  
01.1 Page 1046S  
Nov 01/04

| FIG. & ITEM | PART NO.      | AIRLINE PART NUMBER | NOMENCLATURE<br>1234567   | EFF CODE   | QTY PER ASSY |
|-------------|---------------|---------------------|---|--|--------------|
| 04-170      | AFP238-0604J  |                     | .UNION-<br>(V30974)<br>(SPEC BACU24AA0604J)<br>(OPT ER832-0604J (V50948))<br>(OPT LER832-0604J (V11328))<br>(OPT 2-010890604J (V11328))<br>(OPT APX832-0604J (V01673))<br>(OPT DBOU24AA0604J (V61498))<br>(OPT FER1579-0604J (V14397))<br>(OPT US2113-0604J (V50808))<br>(OPT APX832J0604 (V01673)) | A-D,<br>J-N,V<br>,Y,Z,<br>AE,AF<br>,AJ,A<br>K<br>AN-AR<br>,AW,A<br>Y,BA,<br>BB,BE<br>,BF<br>BJ,BK<br>,BN,B<br>P,BS,<br>BT,BW<br>,BX<br>DS,DT | 1            |
| 175         | AS161E0150AAN |                     | .HOSE-<br>(V00624)<br>(SPEC BACH5M0150AAN)<br>(OPT B307BBB0150CN (V03925))<br>(OPT R8918M0150AAN (V06851))<br>(OPT 95850M0150AAN (V78570))<br>(OPT R89180150AAN (V06851))<br>(OPT R89180150AAN (V12157))<br>(OPT R89180150AAN (V50599))<br>(OPT AS118E0150AAN (V00624))                             | A-D,<br>J-N,V<br>,Y,Z,<br>AE,AF<br>,AJ,A<br>K<br>AN-AR<br>,AW,A<br>Y,BA,<br>BB,BE<br>,BF<br>BJ,BK<br>,BN,B<br>P,BS,<br>BT,BW<br>,BX<br>DS,DT | 1            |

# 71-11-56

 ILLUSTRATED PARTS LIST  
 01.1 Page 1046T  
 Nov 01/04

 **BOEING**  
COMPONENT  
MAINTENANCE MANUAL

| FIG. & ITEM | PART NO.             | AIRLINE PART NUMBER | NOMENCLATURE  | EFF CODE   | QTY PER ASSY |
|-------------|----------------------|---------------------|---|--|--------------|
| 04-177      | BACB30MY5K3          |                     | 1234567<br>.BOLT  | A-D,<br>J-N,V<br>,Y,Z,<br>AE,AF<br>,AJ,A<br>K<br>AN-AR<br>,AW,A<br>Y,BA,<br>BB,BE<br>,BF<br>BJ,BK<br>,BN,B<br>P,BS,<br>BT,BW<br>,BX<br>DS,DT | 4            |
| 180<br>181  | 315T3129-2<br>HL70-5 |                     | DELETED<br>.COLLAR-<br>(V5M902)<br>(SPEC BACC30M5)<br>(OPT HL70-5<br>(V73197))<br>(OPT HL70-5<br>(V92215))<br>(OPT 66014-5<br>(V56878))<br>(OPT HL70-5<br>(V56878)) | A-D,<br>J-N,V<br>,Y,Z,<br>AE,AF<br>,AJ,A<br>K<br>AN-AR<br>,AW,A<br>Y,BA,<br>BB,BE<br>,BF<br>BJ,BK<br>,BN,B<br>P,BS,<br>BT,BW<br>,BX<br>DS,DT | 4            |

71-11-56

ILLUSTRATED PARTS LIST  
01.1 Page 1046U  
Nov 01/04

| FIG. & ITEM                | PART NO.                                  | AIRLINE PART NUMBER | NOMENCLATURE  | EFF CODE   | QTY PER ASSY |
|----------------------------|---|---------------------|---|--|--------------|
|                            |   |                     | 1234567   |  |              |
| 04-<br>185<br>185A<br>185B | 315T3120-28<br>315T3120-33<br>315T3120-35 |                     | DELETED<br>DELETED<br>. DUCT ASSY-<br>(USED ON ITEMS 1, 1A,<br>1D)  | A-D, J<br>, K, M,<br>N, AE,<br>AJ, A<br>N-AR<br>AW, AY   | 1            |
| -185C                      | 315T3120-37                               |                     | . DUCT ASSY-(REWORK)<br>(USED ON ITEMS 1B, 1C,<br>1E, 1F)   | L, V, Y<br>, Z, AF<br>, AK, A<br>W, AY,<br>BA, BB<br>BE, BF<br>, BJ, B<br>K, BN,<br>BP, BS<br>, BT<br>BW, BX   | 1            |
| -185D<br>190               | 315T3120-37<br>5830205-101                |                     | . DUCT ASSY-(REWORK)<br>. VALVE-SHUTOFF<br>(V92003)<br>(SPEC S315T106-3)<br>(OPT 5830205-102<br>(V92003)) | DS, DT<br>A-D,<br>J-N, V<br>, Y, Z,<br>AE, AF<br>, AJ, A<br>K<br>AN-AR<br>, AW, A<br>Y, BA,<br>BB, BE<br>, BF<br>BJ, BK<br>, BN, B<br>P, BS,<br>BT, BW<br>, BX<br>DS, DT | 1<br>1       |

# 71-11-56

 ILLUSTRATED PARTS LIST  
 01.1 Page 1046V  
 Nov 01/04



 **BOEING**  
COMPONENT  
MAINTENANCE MANUAL

| FIG. & ITEM  | PART NO.                     | AIRLINE PART NUMBER | NOMENCLATURE<br>1234567   | EFF CODE   | QTY PER ASSY |
|--------------|------------------------------|---------------------|---|--|--------------|
| 04-<br>-190A | 5830205-102                  |                     | .VALVE-SHUTOFF<br>(V92003)<br>(SPEC S315T106-3)<br>(OPT 5830205-101<br>(V92003))  | A-D,<br>J-N,V<br>,Y,Z,<br>AE,AF<br>,AJ,A<br>K<br>AN-AR<br>,AW,A<br>Y,BA,<br>BB,BE<br>,BF<br>BJ,BK<br>,BN,B<br>P,BS,<br>BT,BW<br>,BX<br>DS,DT | 1            |
| 195<br>195A  | BACB30FN6A19K<br>HL11VAZ6-19 |                     | DELETED<br>.BOLT-<br>(V60516)<br>(SPEC BACB30NW6K19)<br>(OPT B30NW6K19<br>(V97928))<br>(OPT HL11VAZ6-19<br>(V73197))<br>(OPT HL11VAZ6-19<br>(V92215))<br>(OPT HL11VAZ6-19<br>(V97928))<br>(OPT L803-6K19<br>(V06725))<br>(OPT HL11VAZ6-19<br>(V0PTK6))<br>(OPT HL11VAZ6-19<br>(V56878)) | A-D,<br>J-N,V<br>,Y,Z,<br>AE,AF<br>,AJ,A<br>K<br>AN-AR<br>,AW,A<br>Y,BA,<br>BB,BE<br>,BF<br>BJ,BK<br>,BN,B<br>P,BS,<br>BT,BW<br>,BX<br>DS,DT | 7            |
| 200          | HL97DU6                      |                     | DELETED   |  |              |

71-11-56

ILLUSTRATED PARTS LIST  
01.1 Page 1046W  
Nov 01/04

| FIG. & ITEM | PART NO.   | AIRLINE PART NUMBER | NOMENCLATURE   | EFF CODE   | QTY PER ASSY |
|-------------|------------|---------------------|--|--|--------------|
| 04-200A     | HL79-6     |                     | .COLLAR-<br>(V5M902)<br>(SPEC BACC30M6)<br>(OPT HL79-6<br>(V73197))<br>(OPT HL79-6<br>(V92215))<br>(OPT 66014-6<br>(V56878))<br>(OPT HL79-6<br>(V56878)) | A-D,<br>J-N,V<br>,Y,Z,<br>AE,AF<br>,AJ,A<br>K<br>AN-AR<br>,AW,A<br>Y,BA,<br>BB,BE<br>,BF<br>BJ,BK<br>,BN,B<br>P,BS,<br>BT,BW<br>,BX<br>DS,DT | 7            |
| 205         | 315T3122-3 |                     | .SHIM-<br>(MFD FROM AL SH PER<br>BAC1534-15 .015 IN. .80<br>.80 IN. .80 IN.)   | A-D,<br>J-N,V<br>,Y,Z,<br>AE,AF<br>,AJ,A<br>K<br>AN-AR<br>,AW,A<br>Y,BA,<br>BB,BE<br>,BF<br>BJ,BK<br>,BN,B<br>P,BS,<br>BT,BW<br>,BX<br>DS,DT | 1            |

# 71-11-56

 ILLUSTRATED PARTS LIST  
 01.1 Page 1046X  
 Nov 01/04

| FIG. & ITEM | PART NO.    | AIRLINE PART NUMBER | NOMENCLATURE<br>1234567         | EFF CODE  | QTY PER ASSY |
|-------------|-------------|---------------------|---------------------------------|---|--------------|
| 04-210      | 315T3127-12 |                     | .INLET ASSY-<br>(OPT ITEM 210A) | L,V,Y<br>,Z,AW<br>,AY,<br>BA,BB<br>,BE,B<br>F<br>BJ,BK<br>,BN,B<br>P,BS,<br>BT,BW<br>,BX<br>DS,DT | 1            |
| -210A       | 315T3127-13 |                     | .INLET ASSY-<br>(OPT ITEM 210)  | L,V,Y<br>,Z,AW<br>,AY,<br>BA,BB<br>,BE,B<br>F<br>BJ,BK<br>,BN,B<br>P,BS,<br>BT,BW<br>,BX<br>DS,DT | 1            |
| -210B       | 315T3127-12 |                     | .INLET ASSY                     | A-D,J<br>,K,M,<br>N,AE,<br>AF,AJ<br>,AK<br>AN-AR<br>,AW,A<br>Y                                    | 1            |

71-11-56

ILLUSTRATED PARTS LIST  
01.1 Page 1046Y  
Nov 01/04

| FIG. & ITEM | PART NO.    | AIRLINE PART NUMBER | NOMENCLATURE<br>1234567  | EFF CODE   | QTY PER ASSY |
|-------------|-------------|---------------------|--|--|--------------|
| 04-215      | HL11VAZ6-21 |                     | .BOLT-<br>(V60516)<br>(SPEC BACB30NW6K21)<br>(OPT B30NW6K21<br>(V97928))<br>(OPT HL11VAZ6-21<br>(V73197))<br>(OPT HL11VAZ6-21<br>(V92215))<br>(OPT HL11VAZ6-21<br>(V97928))<br>(OPT L803-6K21<br>(V06725))<br>(OPT HL11VAZ6-21<br>(V0PTK6))<br>(OPT HL11VAZ6-21<br>(V56878)) | A-D,<br>J-N,V<br>,Y,Z,<br>AE,AF<br>,AJ,A<br>K<br>AN-AR<br>,AW,A<br>Y,BA,<br>BB,BE<br>,BF<br>BJ,BK<br>,BN,B<br>P,BS,<br>BT,BW<br>,BX<br>DS,DT | 2            |
| 220         | HL79-6      |                     | .COLLAR-<br>(V5M902)<br>(SPEC BACC30M6)<br>(OPT HL79-6<br>(V73197))<br>(OPT HL79-6<br>(V92215))<br>(OPT 66014-6<br>(V56878))<br>(OPT HL79-6<br>(V56878))   | A-D,<br>J-N,V<br>,Y,Z,<br>AE,AF<br>,AJ,A<br>K<br>AN-AR<br>,AW,A<br>Y,BA,<br>BB,BE<br>,BF<br>BJ,BK<br>,BN,B<br>P,BS,<br>BT,BW<br>,BX<br>DS,DT | 2            |

# 71-11-56

 ILLUSTRATED PARTS LIST  
 01.1 Page 1046Z  
 Nov 01/04

| FIG. & ITEM | PART NO.                         | AIRLINE PART NUMBER | NOMENCLATURE        | EFF CODE   | QTY PER ASSY |
|-------------|----------------------------------|---------------------|---------------------|--|--------------|
| 04-225      | 315T3128-20                      |                     | 1234567<br>. FILLER | A-D,<br>J-N,V<br>,Y,Z,<br>AE,AF<br>,AJ,A<br>K<br>AN-AR<br>,AW,A<br>Y,BA,<br>BB,BE<br>,BF<br>BJ,BK<br>,BN,B<br>P,BS,<br>BT,BW<br>,BX<br>DS,DT | 1            |
| 230<br>230A | BACS40R10C17F<br>BACS40R010C017F |                     | DELETED<br>. SHIM   | A-D,<br>J-N,V<br>,Y,Z,<br>AE,AF<br>,AJ,A<br>K<br>AN-AR<br>,AW,A<br>Y,BA,<br>BB,BE<br>,BF<br>BJ,BK<br>,BN,B<br>P,BS,<br>BT,BW<br>,BX<br>DS,DT | 1            |

71-11-56

| FIG. & ITEM | PART NO.    | AIRLINE PART NUMBER | NOMENCLATURE | EFF CODE   | QTY PER ASSY |
|-------------|-------------|---------------------|--------------|--|--------------|
| 04-235      | 315T3120-22 |                     | .BRACKET     | A-D,<br>J-N,V<br>,Y,Z,<br>AE,AF<br>,AJ,A<br>K<br>AN-AR<br>,AW,A<br>Y,BA,<br>BB,BE<br>,BF<br>BJ,BK<br>,BN,B<br>P,BS,<br>BT,BW<br>,BX<br>DS,DT | 1            |
| 240         | BACB30MY5K4 |                     | .BOLT        | A-D,<br>J-N,V<br>,Y,Z,<br>AE,AF<br>,AJ,A<br>K<br>AN-AR<br>,AW,A<br>Y,BA,<br>BB,BE<br>,BF<br>BJ,BK<br>,BN,B<br>P,BS,<br>BT,BW<br>,BX<br>DS,DT | 2            |

# 71-11-56

 ILLUSTRATED PARTS LIST  
 01.1 Page 1048  
 Nov 01/04

**BOEING**  
COMPONENT  
MAINTENANCE MANUAL

| FIG. & ITEM | PART NO.    | AIRLINE PART NUMBER | NOMENCLATURE   | EFF CODE   | QTY PER ASSY |
|-------------|-------------|---------------------|--|--|--------------|
| 04-245      | HL70-5      |                     | .COLLAR-<br>(V5M902)<br>(SPEC BACC30M5)<br>(OPT HL70-5<br>(V73197))<br>(OPT HL70-5<br>(V92215))<br>(OPT 66014-5<br>(V56878))<br>(OPT HL70-5<br>(V56878)) | A-D,<br>L-N,V<br>,Y,Z,<br>AE,AF<br>,AJ,A<br>K<br>AN-AR<br>,AW,A<br>Y,BA,<br>BB,BE<br>,BF<br>BJ,BK<br>,BN,B<br>P,BS,<br>BT,BW<br>,BX<br>DS,DT | 2            |
| 250         | 315T3128-19 |                     | .FILLER  | A-D,<br>J-N,V<br>,Y,Z,<br>AE,AF<br>,AJ,A<br>K<br>AN-AR<br>,AW,A<br>Y,BA,<br>BB,BE<br>,BF<br>BJ,BK<br>,BN,B<br>P,BS,<br>BT,BW<br>,BX<br>DS,DT | 1            |

71-11-56

ILLUSTRATED PARTS LIST  
01.1 Page 1048A  
Nov 01/04

| FIG. & ITEM | PART NO.    | AIRLINE PART NUMBER | NOMENCLATURE                                     | EFF CODE   | QTY PER ASSY |
|-------------|-------------|---------------------|--|--|--------------|
| 04-255      | 315T3130-4  |                     | .BRACKET-<br>(USED ON ITEMS 1, 1A, 1B, 1D, 1F)   | A-D, J<br>,K, M,<br>,N, AE,<br>,AF, AJ<br>,AK<br>,AN-AR<br>,AW, A<br>,Y                                | 1            |
| -255A       | 315T3130-4  |                     | .BRACKET-<br>(LIMITED)<br>(USED ON ITEMS 1C, 1E) | L, V, Y<br>,Z, AW<br>,AY,<br>,BA, BB<br>,BE, B<br>,F<br>,BJ, BK<br>,BN, B<br>,P, BS,<br>,BT, BW<br>,BX | 1            |
| -255B       | 315T3130-23 |                     | .BRACKET-<br>(LIMITED)<br>(USED ON ITEMS 1C, 1E) | L, V, Y<br>,Z, AW<br>,AY,<br>,BA, BB<br>,BE, B<br>,F<br>,BJ, BK<br>,BN, B<br>,P, BS,<br>,BT, BW<br>,BX | 1            |
| -255C       | 315T3130-23 |                     | .BRACKET   | DS, DT   | 1            |

# 71-11-56

 ILLUSTRATED PARTS LIST  
 01.1 Page 1048B  
 Nov 01/04



| FIG. & ITEM | PART NO.    | AIRLINE PART NUMBER | NOMENCLATURE   | EFF CODE   | QTY PER ASSY |
|-------------|-------------|---------------------|--|--|--------------|
| 04-260      | 315T3120-25 |                     | .TUBE ASSY   | A-D,<br>J-N,V<br>,Y,Z,<br>AE,AF<br>,AJ,A<br>K<br>AN-AR<br>,AW,A<br>Y,BA,<br>BB,BE<br>,BF<br>BJ,BK<br>,BN,B<br>P,BS,<br>BT,BW<br>,BX<br>DS,DT | 1            |
| 265         | HL11VAZ6-19 |                     | .BOLT-<br>(V60516)<br>(SPEC BACB30NW6K19)<br>(OPT B30NW6K19<br>(V97928))<br>(OPT HL11VAZ6-19<br>(V73197))<br>(OPT HL11VAZ6-19<br>(V92215))<br>(OPT HL11VAZ6-19<br>(V97928))<br>(OPT L803-6K19<br>(V06725))<br>(OPT HL11VAZ6-19<br>(V0PTK6))<br>(OPT HL11VAZ6-19<br>(V56878)) | A-D,<br>J-N,V<br>,Y,Z,<br>AE,AF<br>,AJ,A<br>K<br>AN-AR<br>,AW,A<br>Y,BA,<br>BB,BE<br>,BF<br>BJ,BK<br>,BN,B<br>P,BS,<br>BT,BW<br>,BX<br>DS,DT | 3            |

71-11-56

ILLUSTRATED PARTS LIST  
01.1 Page 1048C  
Nov 01/04

| FIG. & ITEM | PART NO.             | AIRLINE PART NUMBER | NOMENCLATURE<br>1234567   | EFF CODE   | QTY PER ASSY |
|-------------|----------------------|---------------------|---|--|--------------|
| 04-270      | BACW10BN6SP          |                     | .WASHER   | A-D,<br>J-N,V<br>,Y,Z,<br>AE,AF<br>,AJ,A<br>K<br>AN-AR<br>,AW,A<br>Y,BA,<br>BB,BE<br>,BF<br>BJ,BK<br>,BN,B<br>P,BS,<br>BT,BW<br>,BX<br>DS,DT | 3            |
| 275<br>280  | HL12VAZ6-4<br>HL79-6 |                     | DELETED<br>.COLLAR-<br>(V5M902)<br>(SPEC BACC30M6)<br>(OPT HL79-6<br>(V73197))<br>(OPT HL79-6<br>(V92215))<br>(OPT 66014-6<br>(V56878))<br>(OPT HL79-6<br>(V56878)) | A-D,<br>J-N,V<br>,Y,Z,<br>AE,AF<br>,AJ,A<br>K<br>AN-AR<br>,AW,A<br>Y,BA,<br>BB,BE<br>,BF<br>BJ,BK<br>,BN,B<br>P,BS,<br>BT,BW<br>,BX<br>DS,DT | 3            |

# 71-11-56

 ILLUSTRATED PARTS LIST  
 01.1 Page 1048D  
 Nov 01/04

**BOEING**  
COMPONENT  
MAINTENANCE MANUAL

| FIG. & ITEM | PART NO.                  | AIRLINE PART NUMBER | NOMENCLATURE<br>1234567                         | EFF CODE   | QTY PER ASSY |
|-------------|---------------------------|---------------------|---|--|--------------|
| 04-285      | 315T3130-2                |                     | .BRACKET ASSY                                   | A-D,<br>J-N,V<br>,Y,Z,<br>AE,AF<br>,AJ,A<br>K<br>AN-AR<br>,AW,A<br>Y,BA,<br>BB,BE<br>,BF<br>BJ,BK<br>,BN,B<br>P,BS,<br>BT,BW<br>,BX<br>DS,DT | 1            |
| 290<br>295  | 315T3130-19<br>BACR15CE3M |                     | DELETED<br>..RIVET-<br>(SIZE DETERMINE ON INST) | A-D,<br>J-N,V<br>,Y,Z,<br>AE,AF<br>,AJ,A<br>K<br>AN-AR<br>,AW,A<br>Y,BA,<br>BB,BE<br>,BF<br>BJ,BK<br>,BN,B<br>P,BS,<br>BT,BW<br>,BX<br>DS,DT | 4            |

71-11-56

ILLUSTRATED PARTS LIST  
01.1 Page 1048E  
Nov 01/04

| FIG. & ITEM | PART NO.      | AIRLINE PART NUMBER | NOMENCLATURE<br>1234567   | EFF CODE   | QTY PER ASSY |
|-------------|---------------|---------------------|---|--|--------------|
| 04-300      | BRM100C3M     |                     | ..NUTPLATE-<br>(V52828)<br>(SPEC BACN10JP3BCM)<br>(OPT MK2001-3BAC<br>(V15653))<br>(OPT NS103198SE02<br>(V80539))<br>(OPT T8081C1032<br>(V11815))<br>(OPT VN201D1-02<br>(V92215))<br>(OPT 109A9207M3<br>(V72962)) | A-D,<br>J-N,V<br>,Y,Z,<br>AE,AF<br>,AJ,A<br>K<br>AN-AR<br>,AW,A<br>Y,BA,<br>BB,BE<br>,BF<br>BJ,BK<br>,BN,B<br>P,BS,<br>BT,BW<br>,BX<br>DS,DT | 2            |
| 305         | BRM100C3M     |                     | DELETED   |  |              |
| 310         | BACN10JS3B2CM |                     | DELETED   |  |              |
| 315         | 315T3130-7    |                     | ..BRACKET   | A-D,<br>J-N,V<br>,Y,Z,<br>AE,AF<br>,AJ,A<br>K<br>AN-AR<br>,AW,A<br>Y,BA,<br>BB,BE<br>,BF<br>BJ,BK<br>,BN,B<br>P,BS,<br>BT,BW<br>,BX<br>DS,DT | 1            |

# 71-11-56

 **BOEING**  
COMPONENT  
MAINTENANCE MANUAL

| FIG. & ITEM       | PART NO.                     | AIRLINE PART NUMBER | NOMENCLATURE  | EFF CODE   | QTY PER ASSY |
|-------------------|------------------------------|---------------------|---|--|--------------|
| 04-<br>320<br>325 | 315T3130-18<br>MS21141-0603P |                     | DELETED<br>.FASTENER  | A-D,<br>J-N,V<br>,Y,Z,<br>AE,AF<br>,AJ,A<br>K<br>AN-AR<br>,AW,A<br>Y,BA,<br>BB,BE<br>,BF<br>BJ,BK<br>,BN,B<br>P,BS,<br>BT,BW<br>,BX<br>DS,DT | 3            |
| 330               | HL1012AZ5-3                  |                     | .BOLT-<br>(V97928)<br>(SPEC BACB30NX5K3)<br>(OPT HL12VAZ5-3<br>(V73197))<br>(OPT HL12VAZ5-3<br>(V92215))<br>(OPT HL12VAZ5-3<br>(V97928))<br>(OPT L802-5K3<br>(V06725))<br>(OPT HL12VAZ5-3<br>(V56878))<br>(OPT HL1012AZ5-3<br>(V0PTK6))<br>(OPT HL1012AZ5-3<br>(V06725))<br>(OPT HL1012AZ5-3<br>(V06950))<br>(OPT HL1012AZ5-3<br>(V17446))<br>(OPT HL1012AZ5-3<br>(V56878))<br>(OPT HL1012AZ5-3<br>(V60516))<br>(OPT HL1012AZ5-3<br>(V73197)) | A-D,<br>J-N,V<br>,Y,Z,<br>AE,AF<br>,AJ,A<br>K<br>AN-AR<br>,AW,A<br>Y,BA,<br>BB,BE<br>,BF<br>BJ,BK<br>,BN,B<br>P,BS,<br>BT,BW<br>,BX<br>DS,DT | 4            |

**71-11-56**

ILLUSTRATED PARTS LIST  
01.1 Page 1048G  
Nov 01/04

| FIG. & ITEM | PART NO.        | AIRLINE PART NUMBER | NOMENCLATURE<br>1234567   | EFF CODE   | QTY PER ASSY |
|-------------|-----------------|---------------------|---|--|--------------|
| 04-335      | HL1187DU5       |                     | .COLLAR-<br>(V5M902)<br>(SPEC BACC30X5S)<br>(OPT HL87DU5<br>(V73197))<br>(OPT HL87DU5<br>(V92215))<br>(OPT HL86DU5<br>(V73197))<br>(OPT HL86DU5<br>(V56878))<br>(OPT HL86DU5<br>(V92215))<br>(OPT HL1187DU5<br>(V56878))<br>(OPT HL1187DU5<br>(V92215))<br>(OPT HL87DU5<br>(V56878))<br>(OPT HL1187DU5<br>(V73197)) | A-D,<br>J-N,V<br>,Y,Z,<br>AE,AF<br>,AJ,A<br>K<br>AN-AR<br>,AW,A<br>Y,BA,<br>BB,BE<br>,BF<br>BJ,BK<br>,BN,B<br>P,BS,<br>BT,BW<br>,BX<br>DS,DT | 4            |
| 340         | BACS40R009C015F |                     | .SHIM   | A-D,<br>J-N,V<br>,Y,Z,<br>AE,AF<br>,AJ,A<br>K<br>AN-AR<br>,AW,A<br>Y,BA,<br>BB,BE<br>,BF<br>BJ,BK<br>,BN,B<br>P,BS,<br>BT,BW<br>,BX<br>DS,DT | 2            |

# 71-11-56

 ILLUSTRATED PARTS LIST  
 01.1 Page 1048H  
 Nov 01/04

| FIG. & ITEM | PART NO.                   | AIRLINE PART NUMBER | NOMENCLATURE<br>1234567 | EFF CODE   | QTY PER ASSY |
|-------------|----------------------------|---------------------|-------------------------|--|--------------|
| 04-345      | 315T3130-21                |                     | .CLIP                   | A-D,<br>J-N,V<br>,Y,Z,<br>AE,AF<br>,AJ,A<br>K<br>AN-AR<br>,AW,A<br>Y,BA,<br>BB,BE<br>,BF<br>BJ,BK<br>,BN,B<br>P,BS,<br>BT,BW<br>,BX<br>DS,DT | 2            |
| 350<br>350A | 315T3130-20<br>315T3130-22 |                     | DELETED<br>.BRACKET     | A-D,<br>J-N,V<br>,Y,Z,<br>AE,AF<br>,AJ,A<br>K<br>AN-AR<br>,AW,A<br>Y,BA,<br>BB,BE<br>,BF<br>BJ,BK<br>,BN,B<br>P,BS,<br>BT,BW<br>,BX<br>DS,DT | 1            |

71-11-56

| FIG. & ITEM    | PART NO.                     | AIRLINE PART NUMBER | NOMENCLATURE   | EFF CODE   | QTY PER ASSY |
|----------------|------------------------------|---------------------|--|--|--------------|
| 04-355<br>355A | BACB30FN6A18K<br>HL11VAZ6-18 |                     | 1234567<br><br>DELETED<br>.BOLT-<br>(V60516)<br>(SPEC BACB30NW6K18)<br>(OPT B30NW6K18<br>(V97928))<br>(OPT HL11VAZ6-18<br>(V73197))<br>(OPT HL11VAZ6-18<br>(V92215))<br>(OPT HL11VAZ6-18<br>(V97928))<br>(OPT L803-6K18<br>(V06725))<br>(OPT HL11VAZ6-18<br>(V0PTK6))<br>(OPT HL11VAZ6-18<br>(V56878)) | A-D,<br>J-N,V<br>,Y,Z,<br>AE,AF<br>,AJ,A<br>K<br>AN-AR<br>,AW,A<br>Y,BA,<br>BB,BE<br>,BF<br>BJ,BK<br>,BN,B<br>P,BS,<br>BT,BW<br>,BX<br>DS,DT | 7            |
| 360<br>360A    | HL97DU6<br>HL79-6            |                     | DELETED<br>.COLLAR-<br>(V5M902)<br>(SPEC BACC30M6)<br>(OPT HL79-6<br>(V73197))<br>(OPT HL79-6<br>(V92215))<br>(OPT 66014-6<br>(V56878))<br>(OPT HL79-6<br>(V56878))  | A-D,<br>J-N,V<br>,Y,Z,<br>AE,AF<br>,AJ,A<br>K<br>AN-AR<br>,AW,A<br>Y,BA,<br>BB,BE<br>,BF<br>BJ,BK<br>,BN,B<br>P,BS,<br>BT,BW<br>,BX<br>DS,DT | 2            |

# 71-11-56

 ILLUSTRATED PARTS LIST  
 01.1 Page 1048J  
 Nov 01/04



| FIG. & ITEM | PART NO.     | AIRLINE PART NUMBER | NOMENCLATURE | EFF CODE   | QTY PER ASSY |
|-------------|--------------|---------------------|--------------|--|--------------|
| 04-365      | 315T3128-24  |                     | .BRACKET     | A-D,<br>J-N,V<br>,Y,Z,<br>AE,AF<br>,AJ,A<br>K<br>AN-AR<br>,AW,A<br>Y,BA,<br>BB,BE<br>,BF<br>BJ,BK<br>,BN,B<br>P,BS,<br>BT,BW<br>,BX          | 1            |
| -370        | BAC27TPP0493 |                     | .DECAL       | DS,DT<br>A-D,<br>J-N,V<br>,Y,Z,<br>AE,AF<br>,AJ,A<br>K<br>AN-AR<br>,AW,A<br>Y,BA,<br>BB,BE<br>,BF<br>BJ,BK<br>,BN,B<br>P,BS,<br>BT,BW<br>,BX | 1            |

71-11-56

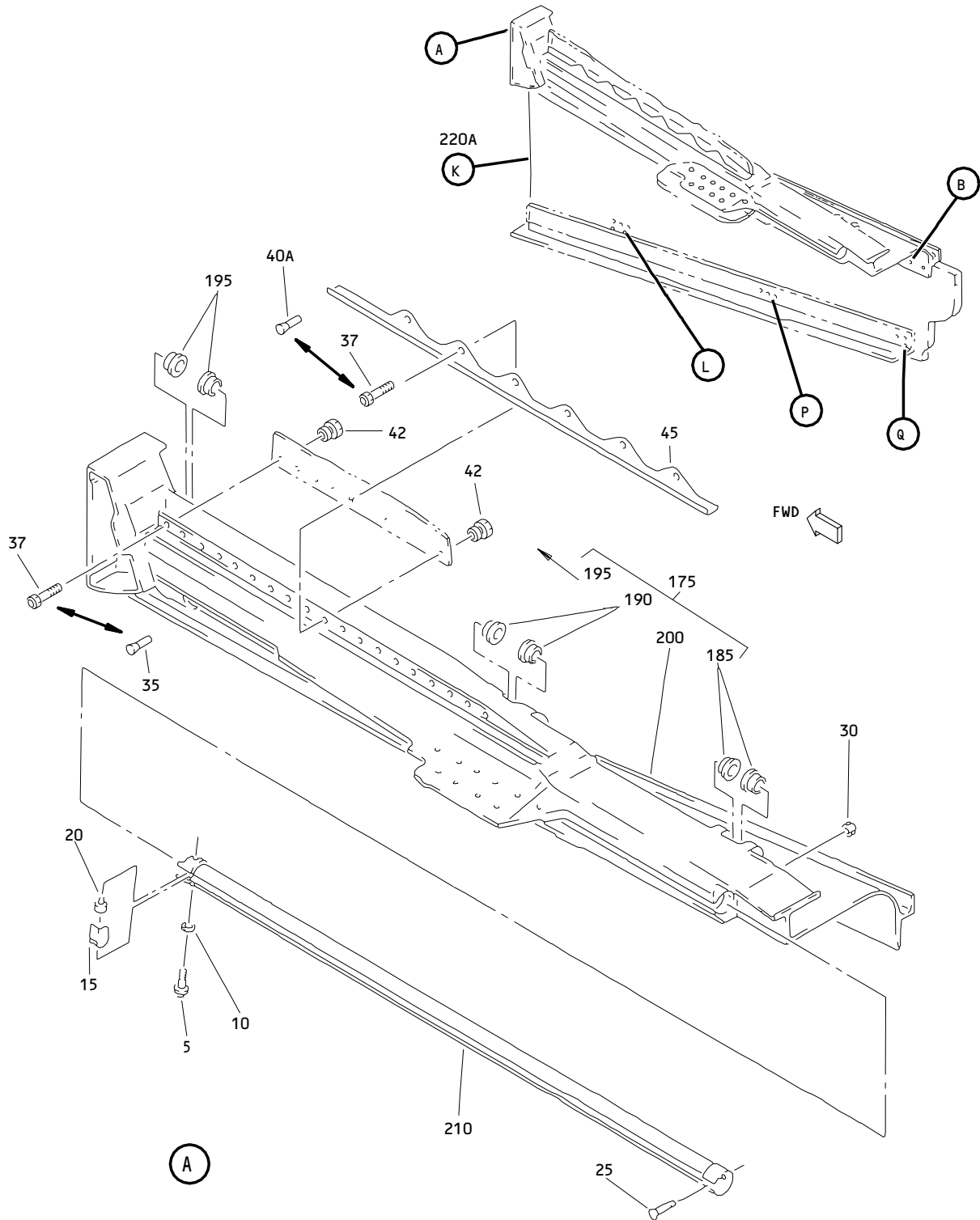
ILLUSTRATED PARTS LIST  
01.1 Page 1048K  
Nov 01/04

| FIG. & ITEM | PART NO.     | AIRLINE PART NUMBER | NOMENCLATURE | EFF CODE  | QTY PER ASSY |
|-------------|--------------|---------------------|--------------|---|--------------|
| 04-375      | BAC27TPP0494 |                     | .DECAL       | A-D,<br>J-N,V<br>,Y,Z,<br>AE,AF<br>,AJ,A<br>K<br>AN-AR<br>,AW,A<br>Y,BA,<br>BB,BE<br>,BF<br>BJ,BK<br>,BN,B<br>P,BS,<br>BT,BW<br>,BX | 1            |

- Item Not Illustrated

# 71-11-56

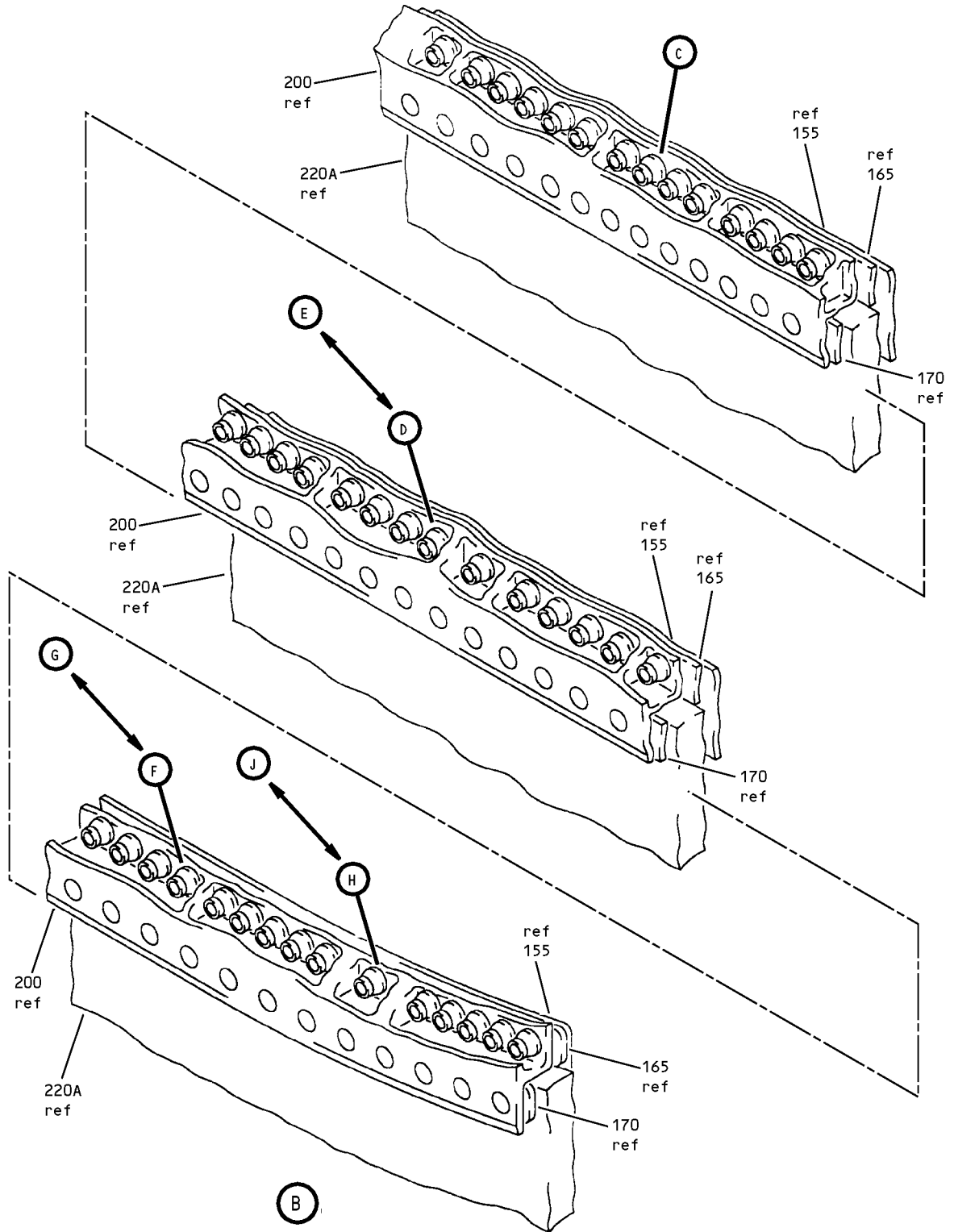
 ILLUSTRATED PARTS LIST  
 01.1 Page 1048L  
 Nov 01/04



Upper Bifurcation Installation  
 Figure 5 (Sheet 1)

**71-11-56**

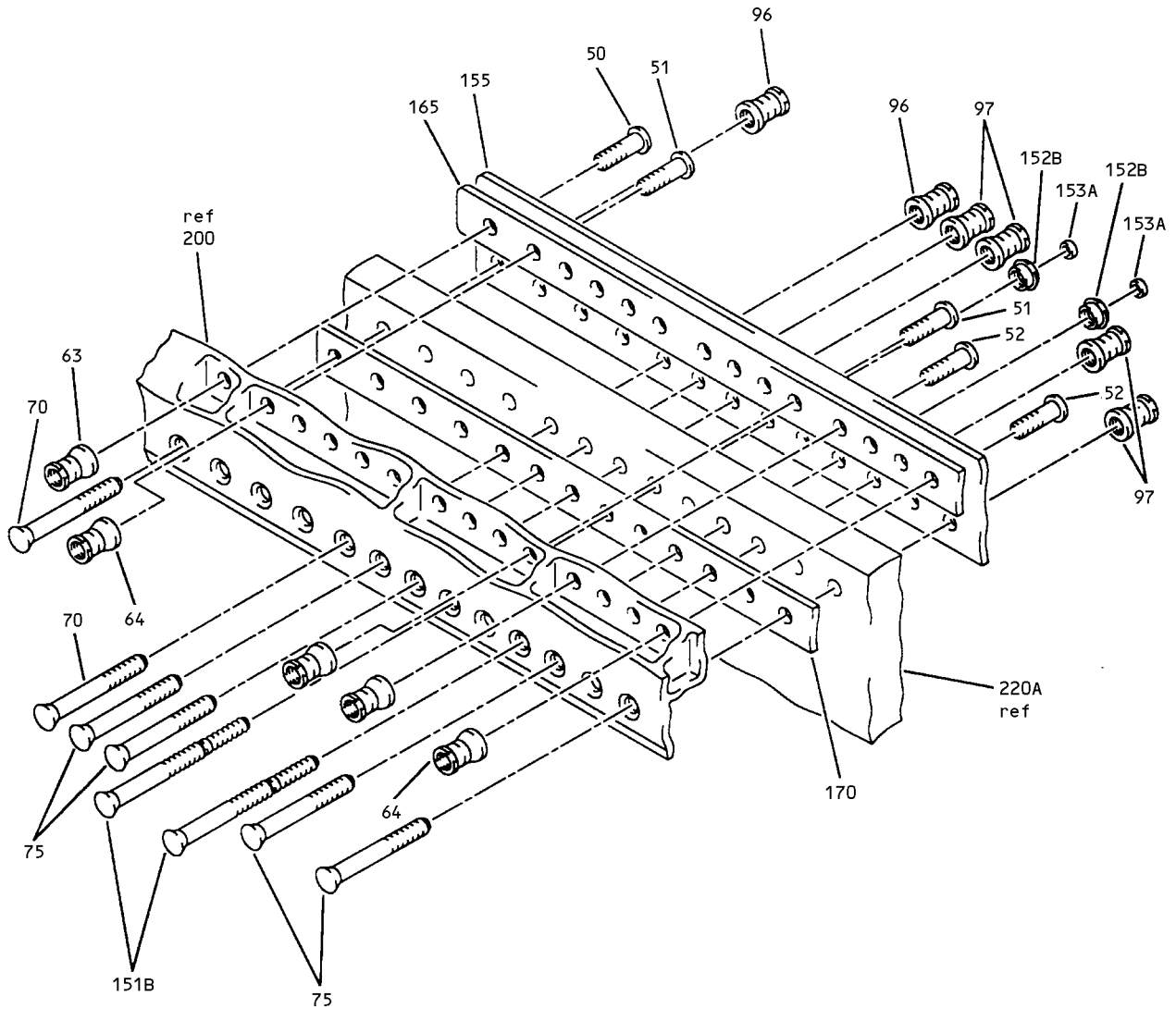
ILLUSTRATED PARTS LIST  
 01.1 Page 1048N  
 Nov 01/04



Upper Bifurcation Installation  
Figure 5 (Sheet 2)

**71-11-56**

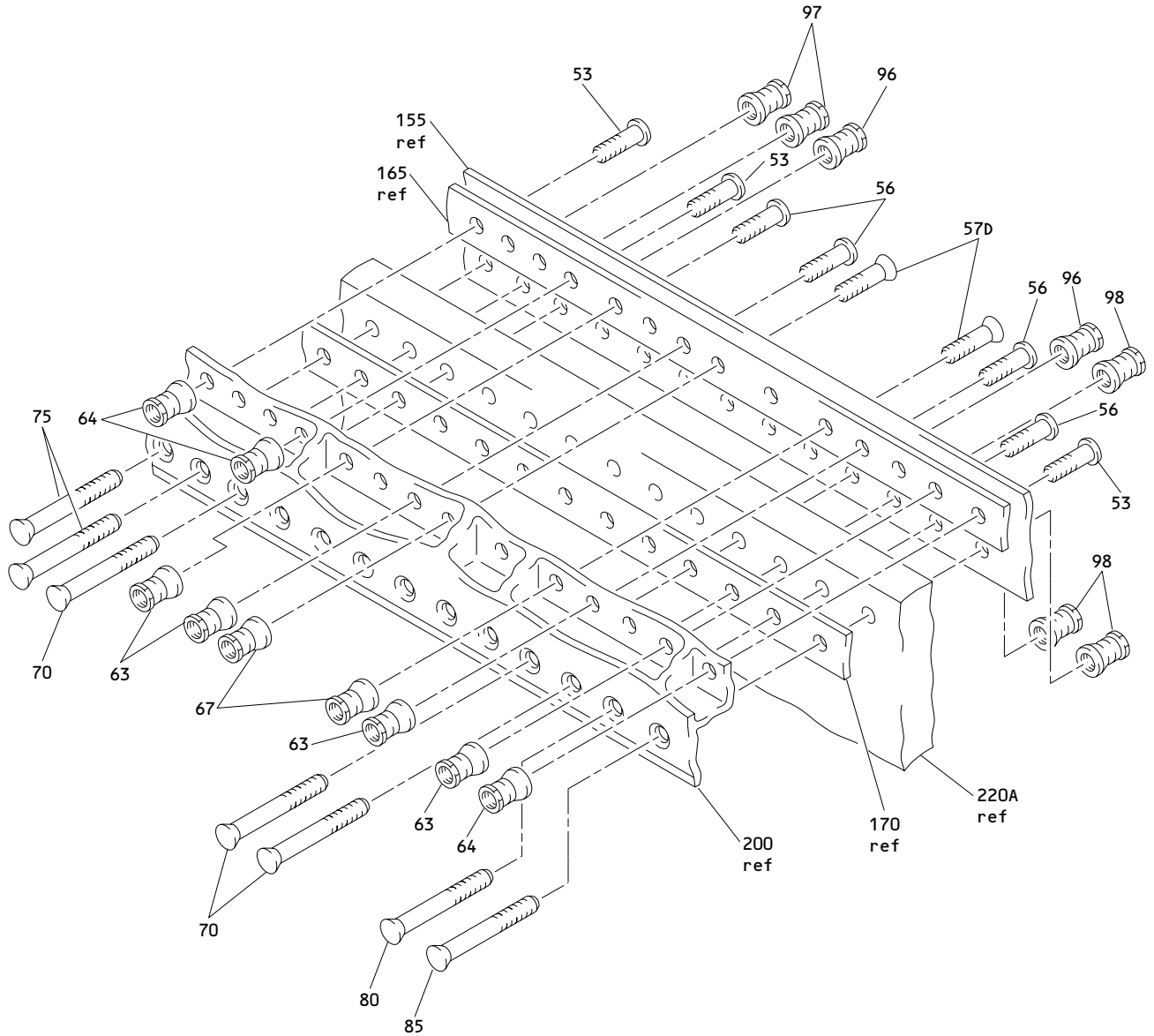
ILLUSTRATED PARTS LIST  
01.1 Page 10480  
Nov 01/04



Upper Bifurcation Installation  
Figure 5 (Sheet 3)

**71-11-56**

ILLUSTRATED PARTS LIST  
01.1 Page 1048P  
Nov 01/04

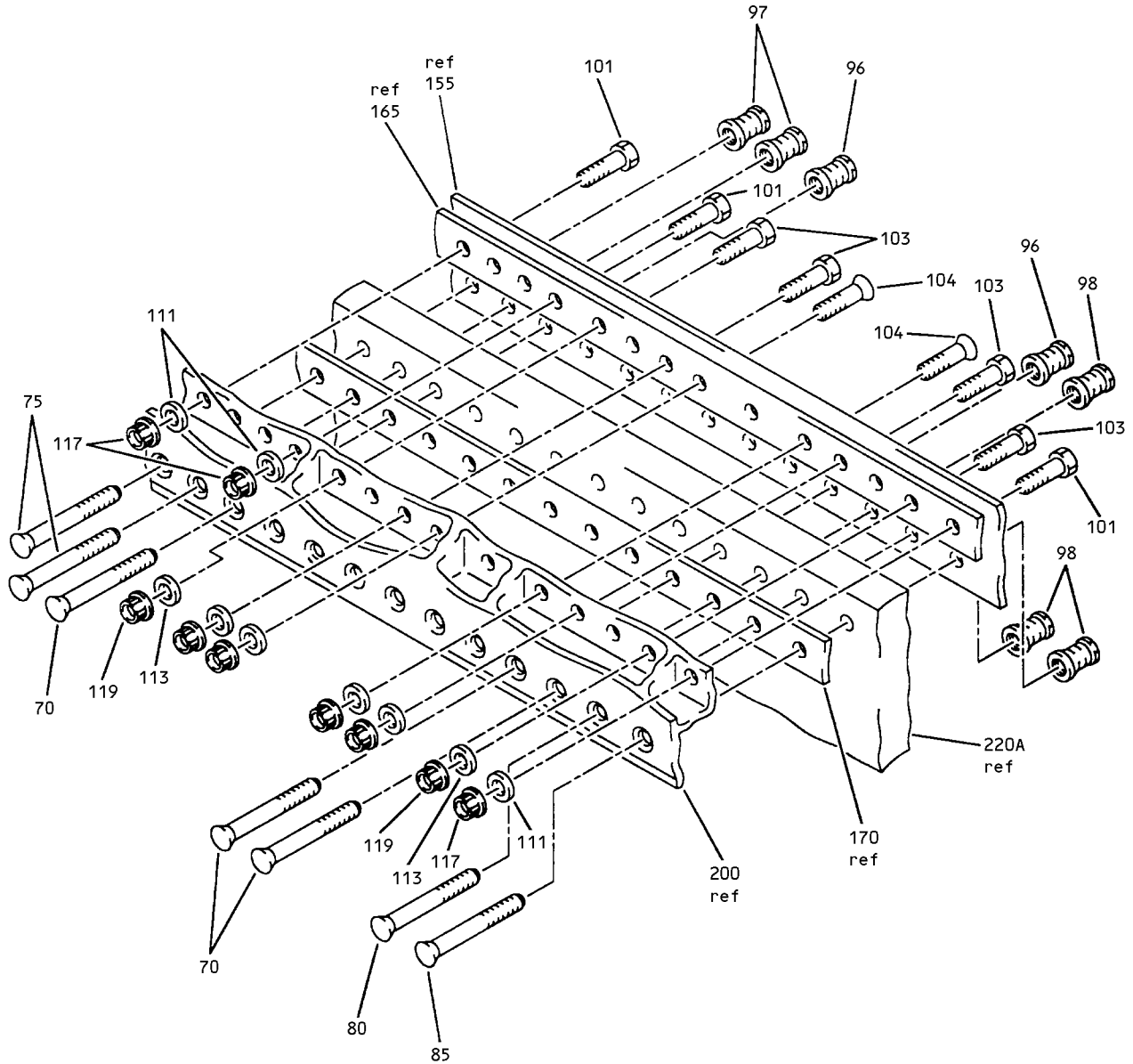


(D)

Upper Bifurcation Installation  
Figure 5 (Sheet 4)

**71-11-56**

ILLUSTRATED PARTS LIST  
01.1 Page 1048Q  
Nov 01/04



(E)

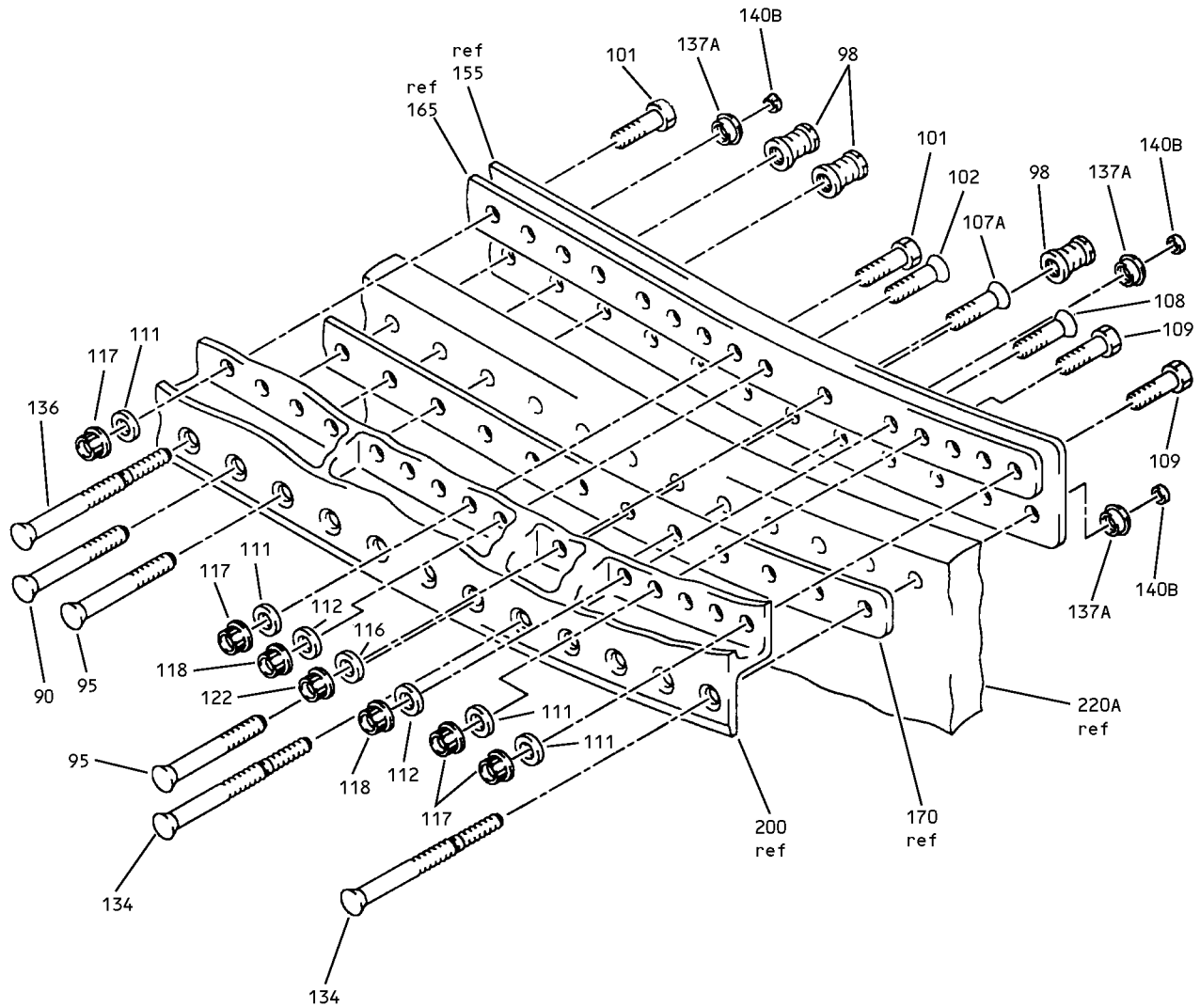
Upper Bifurcation Installation  
 Figure 5 (Sheet 5)

**71-11-56**

ILLUSTRATED PARTS LIST  
 01.1 Page 1048R  
 Nov 01/04





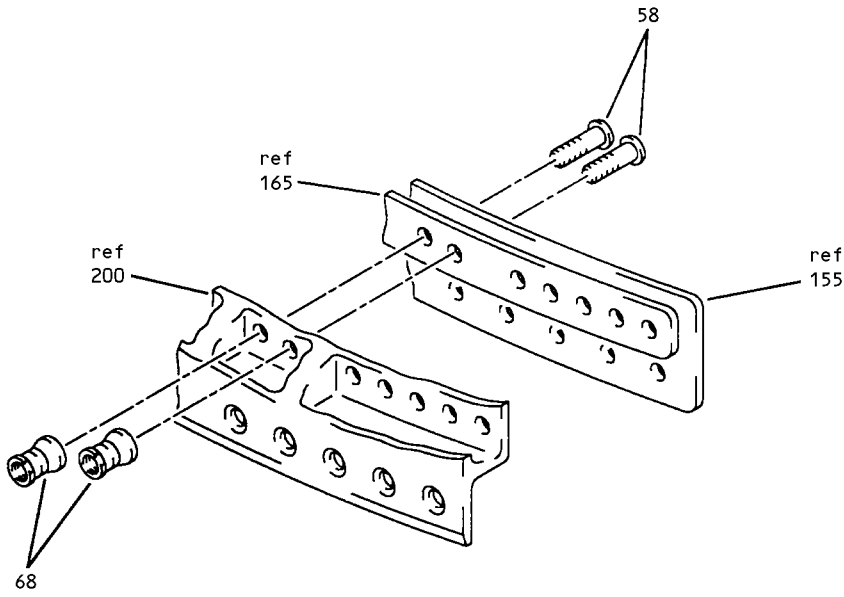


G

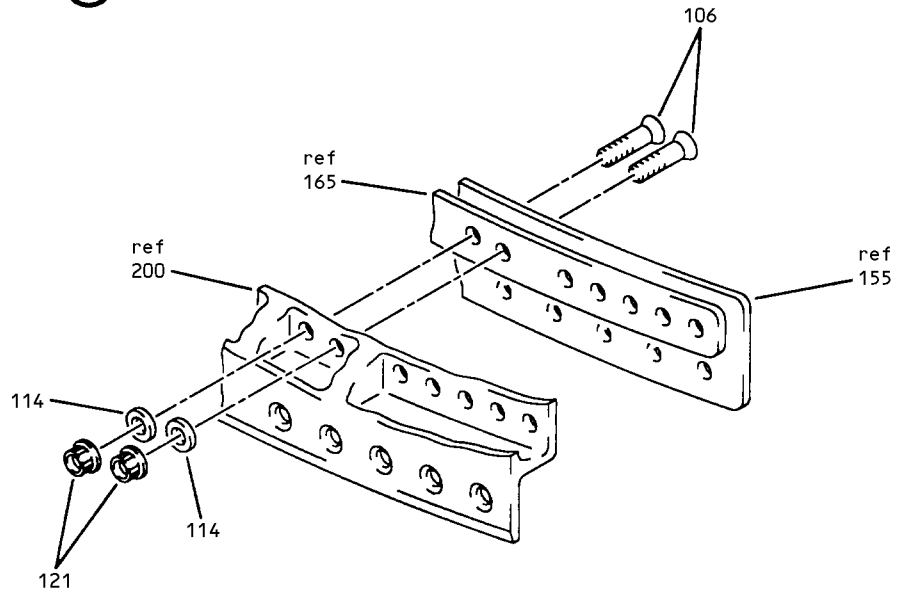
Upper Bifurcation Installation  
Figure 5 (Sheet 7)

**71-11-56**

ILLUSTRATED PARTS LIST  
01.1 Page 1048T  
Nov 01/04



(H)

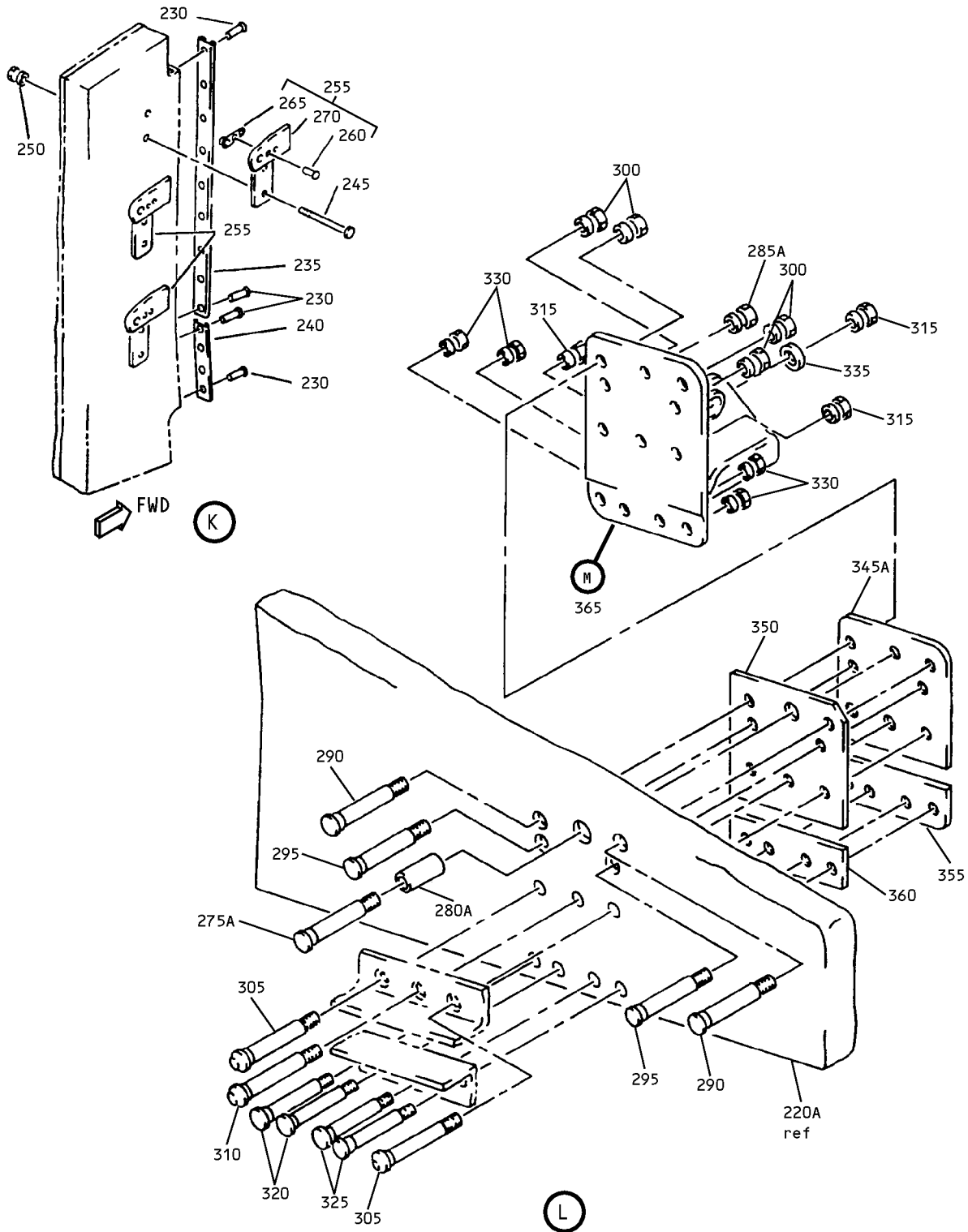


(J)

Upper Bifurcation Installation  
Figure 5 (Sheet 8)

**71-11-56**

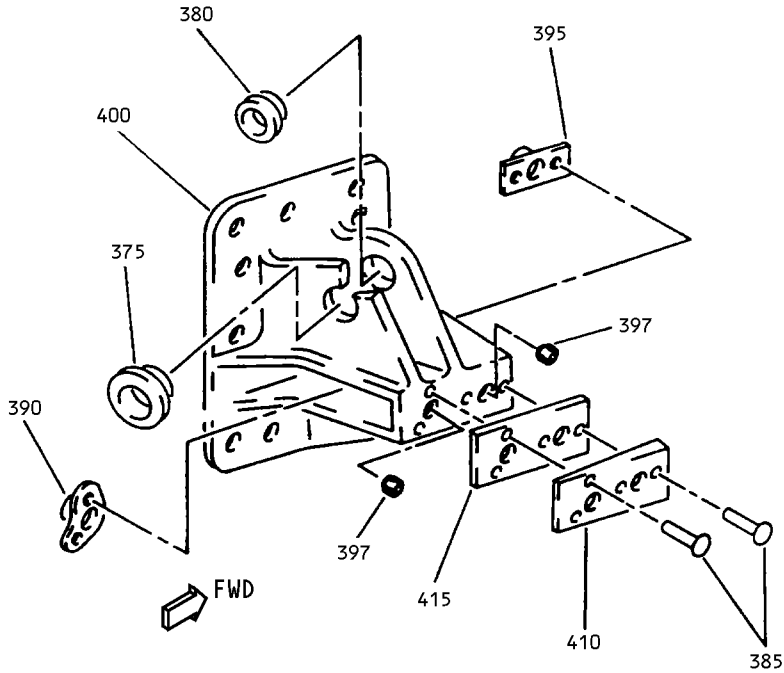
ILLUSTRATED PARTS LIST  
01.1 Page 1048U  
Nov 01/04



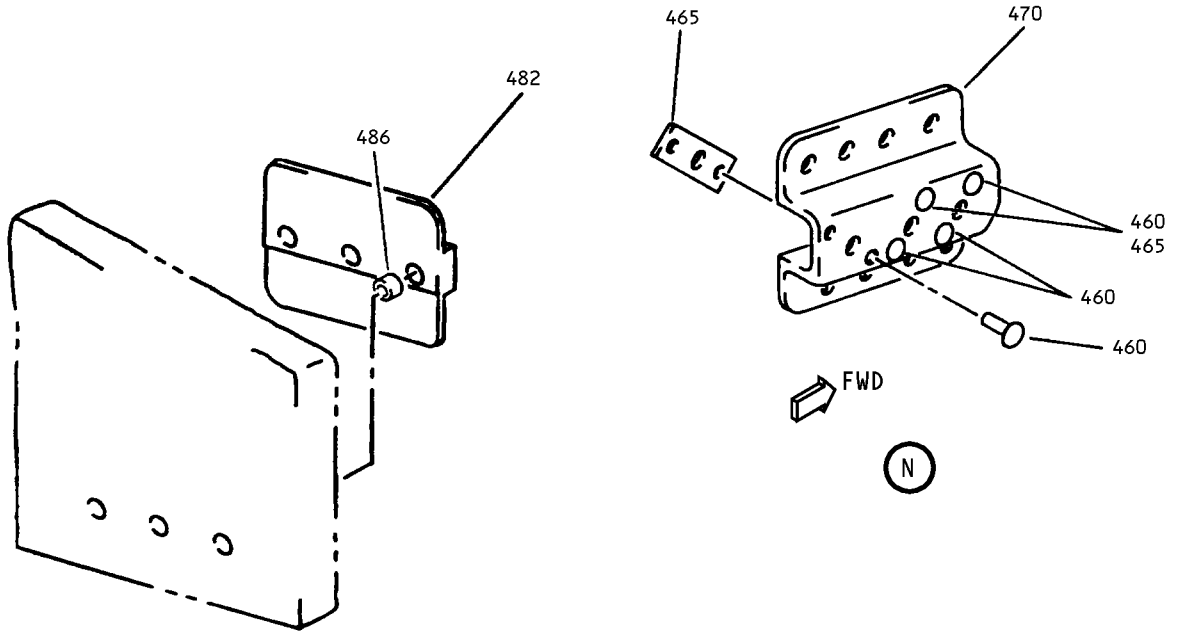
Upper Bifurcation Installation  
 Figure 5 (Sheet 9)

**71-11-56**

ILLUSTRATED PARTS LIST  
 01.1 Page 1048V  
 Nov 01/04



(M)



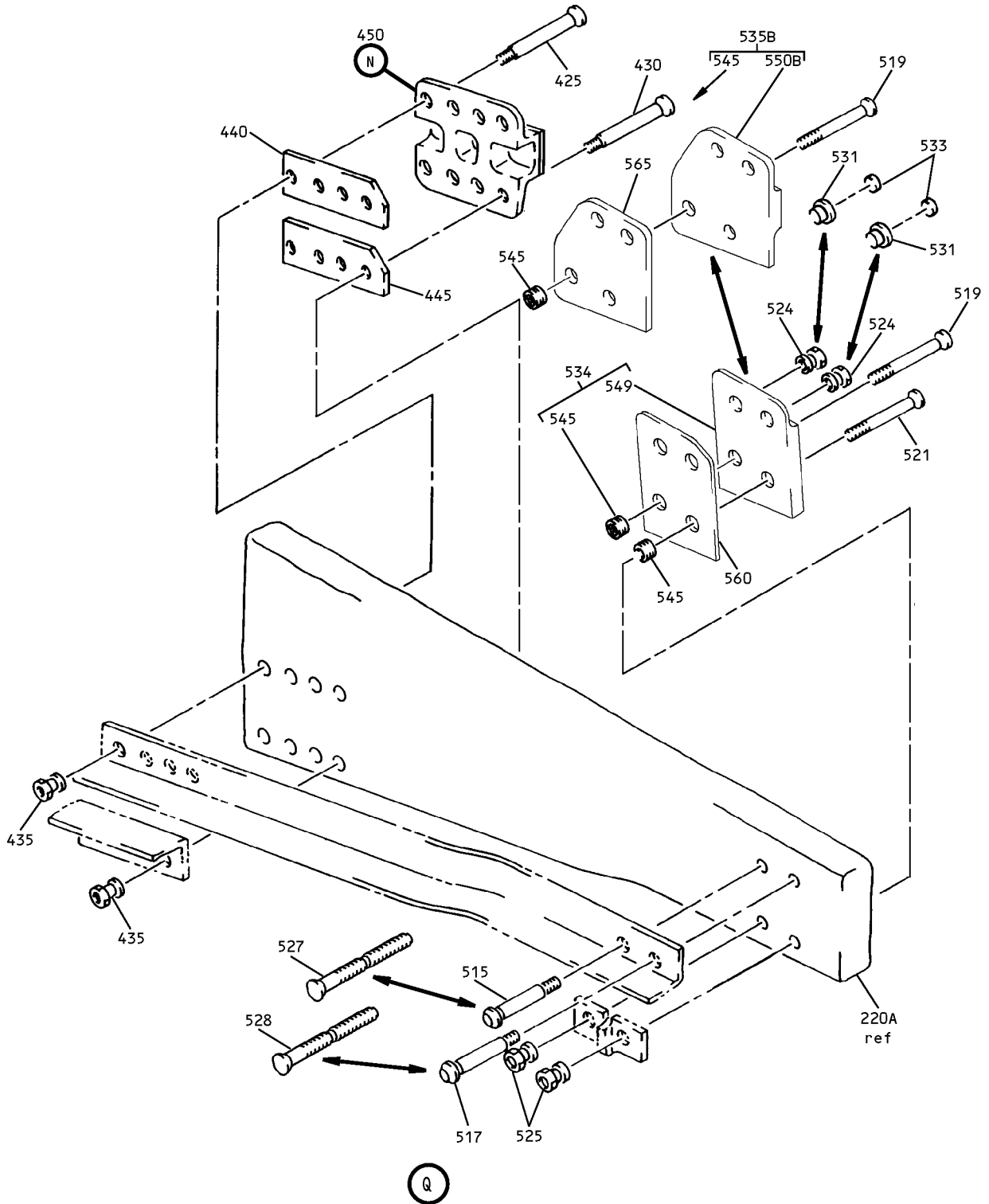
(N)

(P)

Upper Bifurcation Installation  
Figure 5 (Sheet 10)

**71-11-56**

ILLUSTRATED PARTS LIST  
01.1 Page 1048W  
Nov 01/04



Upper Bifurcation Installation  
 Figure 5 (Sheet 11)

**71-11-56**

ILLUSTRATED PARTS LIST  
 01.1 Page 1048X  
 Nov 01/04

 **BOEING**  
COMPONENT  
MAINTENANCE MANUAL

| FIG. & ITEM | PART NO.    | AIRLINE PART NUMBER | NOMENCLATURE<br>1234567   | EFF CODE                                | QTY PER ASSY |
|-------------|-------------|---------------------|---|---|--------------|
| 05-         |             |                     |   |   |              |
| -1          | 315T4300-1  |                     | BIFURCATION INSTL-UPR   | A                                       | RF           |
| -1A         | 315T4300-5  |                     | BIFURCATION INSTL-UPR   | B-D, J<br>,M,AE<br>,AF,A<br>J,AK        | RF           |
| -1B         | 315T4300-9  |                     | BIFURCATION INSTL-UPR<br>(LIMITED)  | AW,AY                                   | RF           |
| -1C         | 315T4300-11 |                     | BIFURCATION INSTL-UPR   | L,V,Y<br>,Z,A<br>N-AR                   | RF           |
| -1D         | 315T4300-5  |                     | BIFURCATION INSTL-UPR<br>(LIMITED)  | AW,AY                                   | RF           |
| -1E         | 315T4300-11 |                     | BIFURCATION INSTL-UPR<br>(LIMITED)  | AW,AY<br>,BA,B<br>E                     | RF           |
| -1F         | 315T4300-19 |                     | BIFURCATION INSTL-UPR   | BB,BF<br>,BK,B<br>P                     | RF           |
| -1G         | 315T4300-19 |                     | BIFURCATION INSTL-UPR<br>(LIMITED)  | BA,BE<br>,BJ,B<br>N,BS,<br>BT,BW<br>,BX | RF           |
| -1H         | 315T4300-9  |                     | BIFURCATION INSTL-UPR   | K,N                                     | RF           |
| -1J         | 315T4300-25 |                     | BIFURCATION INSTL-UPR   | BS,BT<br>,BW,B<br>X                     | RF           |
| -1K         | 315T4300-27 |                     | BIFURCATION INSTL-UPR   | CA-CC<br>,CT-C<br>V                     | RF           |
| -1L         | 315T4300-31 |                     | BIFURCATION INSTL-UPR<br>(NHA 315T4295, REF<br>COLLECTOR CMM 78-31-47)<br>(NHA 315U4295, REF<br>COLLECTOR CMM 78-31-48) | DS,DT                                   | RF           |
| -1M         | 315T4300-33 |                     | BIFURCATION INSTL-UPR<br>(NHA 315U4295, REF<br>COLLECTOR CMM 78-31-48)  | DT                                      | RF           |
| -1N         | 315T4300-35 |                     | BIFURCATION INSTL-UPR<br>(NHA 315U4295, REF<br>COLLECTOR CMM 78-31-48)  | DT                                      | RF           |
| -1P         | 315T4300-37 |                     | BIFURCATION INSTL-UPR<br>(NHA 315U4295, REF<br>COLLECTOR CMM 78-31-48)  | DT                                      | RF           |

71-11-56

ILLUSTRATED PARTS LIST  
01.1 Page 1048Y  
Nov 01/04

| FIG. & ITEM | PART NO.    | AIRLINE PART NUMBER | NOMENCLATURE<br>1234567  | EFF CODE                                      | QTY PER ASSY |
|-------------|-------------|---------------------|--|---|--------------|
| 05-<br>-1Q  | 315T4300-39 |                     | BIFURCATION INSTL-UPR<br>(NHA 315U4295, REF<br>COLLECTOR CMM 78-31-48) | DT  | RF           |
| -1R         | 315T4300-41 |                     | BIFURCATION INSTL-UPR<br>(NHA 315T4295, REF<br>COLLECTOR CMM 78-31-47) | DS  | RF           |
| -1S         | 315T4300-43 |                     | BIFURCATION INSTL-UPR<br>(NHA 315T4295, REF<br>COLLECTOR CMM 78-31-47) | DS  | RF           |
| -1T         | 315T4300-45 |                     | BIFURCATION INSTL-UPR<br>(NHA 315U4295, REF<br>COLLECTOR CMM 78-31-48) | DT  | RF           |
| -1U         | 315T4300-47 |                     | BIFURCATION INSTL-UPR<br>(NHA 315U4295, REF<br>COLLECTOR CMM 78-31-48) | DT  | RF           |
| -1V         | 315T4300-49 |                     | BIFURCATION INSTL-UPR<br>(NHA 315U4295, REF<br>COLLECTOR CMM 78-31-48) | DT  | RF           |
| -1W         | 315T4300-51 |                     | BIFURCATION INSTL-UPR<br>(NHA 315U4295, REF<br>COLLECTOR CMM 78-31-48) | DT  | RF           |
| -1X         | 315T4300-53 |                     | BIFURCATION INSTL-UPR<br>(NHA 315T4295, REF<br>COLLECTOR CMM 78-31-47) | DS  | RF           |
| -1Y         | 315T4300-55 |                     | BIFURCATION INSTL-UPR<br>(NHA 315T4295, REF<br>COLLECTOR CMM 78-31-47) | DS  | RF           |
| -3          | 315T4300-2  |                     | BIFURCATION INSTL-UPR  | E   | RF           |
| -3A         | 315T4300-6  |                     | BIFURCATION INSTL-UPR  | F, H, Q<br>, T, AA<br>, AG, A<br>H, AL,<br>AM | RF           |

# 71-11-56

 ILLUSTRATED PARTS LIST  
 01.1 Page 1048Z  
 Nov 01/04



**BOEING**  
COMPONENT  
MAINTENANCE MANUAL

| FIG. & ITEM | PART NO.    | AIRLINE PART NUMBER | NOMENCLATURE<br>1234567   | EFF CODE                                | QTY PER ASSY |
|-------------|-------------|---------------------|---|---|--------------|
| 05-<br>-3B  | 315T4300-10 |                     | BIFURCATION INSTL-UPR<br>(LIMITED)  | AX,AZ                                   | RF           |
| -3C         | 315T4300-12 |                     | BIFURCATION INSTL-UPR   | W,X,A<br>C,AD,<br>AS-AV                 | RF           |
| -3D         | 315T4300-6  |                     | BIFURCATION INSTL-UPR<br>(LIMITED)  | AX,AZ                                   | RF           |
| -3E         | 315T4300-12 |                     | BIFURCATION INSTL-UPR<br>(LIMITED)  | AX,AZ<br>,BC,B<br>D,BG,<br>BH           | RF           |
| -3F         | 315T4300-20 |                     | BIFURCATION INSTL-UPR   | BD,BH<br>,BM,B<br>R                     | RF           |
| -3G         | 315T4300-20 |                     | BIFURCATION INSTL-UPR<br>(LIMITED)  | BC,BG<br>,BL,B<br>Q,BU,<br>BV,BY<br>,BZ | RF           |
| -3H         | 315T4300-10 |                     | BIFURCATION INSTL-UPR   | R,U                                     | RF           |
| -3J         | 315T4300-26 |                     | BIFURCATION INSTL-UPR   | BU,BV<br>,BY,B<br>Z                     | RF           |
| -3K         | 315T4300-28 |                     | BIFURCATION INSTL-UPR   | CH-CK<br>,DA-<br>DC                     | RF           |
| -3L         | 315T4300-32 |                     | BIFURCATION INSTL-UPR<br>(NHA 315T4295, REF<br>COLLECTOR CMM 78-31-47)<br>(NHA 315U4295, REF<br>COLLECTOR CMM 78-31-48) | DU,DV                                   | RF           |

71-11-56

ILLUSTRATED PARTS LIST  
01.1 Page 1049  
Nov 01/04



| FIG. & ITEM | PART NO.    | AIRLINE PART NUMBER | NOMENCLATURE<br>1234567  | EFF CODE | QTY PER ASSY |
|-------------|-------------|---------------------|--|----------|--------------|
| 05-<br>-3M  | 315T4300-34 |                     | BIFURCATION INSTL-UPR<br>(NHA 315U4295, REF<br>COLLECTOR CMM 78-31-48) | DV       | RF           |
| -3N         | 315T4300-36 |                     | BIFURCATION INSTL-UPR<br>(NHA 315U4295, REF<br>COLLECTOR CMM 78-31-48) | DV       | RF           |
| -3P         | 315T4300-38 |                     | BIFURCATION INSTL-UPR<br>(NHA 315U4295, REF<br>COLLECTOR CMM 78-31-48) | DV       | RF           |
| -3Q         | 315T4300-40 |                     | BIFURCATION INSTL-UPR<br>(NHA 315U4295, REF<br>COLLECTOR CMM 78-31-48) | DV       | RF           |
| -3R         | 315T4300-42 |                     | BIFURCATION INSTL-UPR<br>(NHA 315T4295, REF<br>COLLECTOR CMM 78-31-47) | DU       | RF           |
| -3S         | 315T4300-44 |                     | BIFURCATION INSTL-UPR<br>(NHA 315T4295, REF<br>COLLECTOR CMM 78-31-47) | DU       | RF           |
| -3T         | 315T4300-46 |                     | BIFURCATION INSTL-UPR<br>(NHA 315U4295, REF<br>COLLECTOR CMM 78-31-48) | DV       | RF           |
| -3U         | 315T4300-48 |                     | BIFURCATION INSTL-UPR<br>(NHA 315U4295, REF<br>COLLECTOR CMM 78-31-48) | DV       | RF           |
| -3V         | 315T4300-50 |                     | BIFURCATION INSTL-UPR<br>(NHA 315U4295, REF<br>COLLECTOR CMM 78-31-48) | DV       | RF           |
| -3W         | 315T4300-52 |                     | BIFURCATION INSTL-UPR<br>(NHA 315U4295, REF<br>COLLECTOR CMM 78-31-48) | DV       | RF           |
| -3X         | 315T4300-54 |                     | BIFURCATION INSTL-UPR<br>(NHA 315T4295, REF<br>COLLECTOR CMM 78-31-47) | DU       | RF           |
| -3Y         | 315T4300-56 |                     | BIFURCATION INSTL-UPR<br>(NHA 315T4295, REF<br>COLLECTOR CMM 78-31-47) | DU       | RF           |

# 71-11-56

 ILLUSTRATED PARTS LIST  
 01.1 Page 1050  
 Nov 01/04

**BOEING**  
COMPONENT  
MAINTENANCE MANUAL

| FIG. & ITEM | PART NO.     | AIRLINE PART NUMBER | NOMENCLATURE<br>1234567 | EFF CODE  | QTY PER ASSY |
|-------------|--------------|---------------------|-------------------------|---|--------------|
| 05-5        | BACB30LM4H12 |                     | .BOLT                   | A-F,<br>H-N,Q<br>,R,<br>T-AA,<br>AC-CC<br>CH-CK<br>,CT-C<br>V,D<br>A-DC,<br>DS-DV | 1            |
| 10          | AN960C416L   |                     | .WASHER                 | A-F,<br>H-N,Q<br>,R,<br>T-AA,<br>AC-CC<br>CH-CK<br>,CT-C<br>V,D<br>A-DC,<br>DS-DV | 1            |
| 15          | 315T3257-3   |                     | .PIN-RTNR               | A-F,<br>H-N,Q<br>,R,<br>T-AA,<br>AC-CC<br>CH-CK<br>,CT-C<br>V,D<br>A-DC,<br>DS-DV | 1            |

**71-11-56**

ILLUSTRATED PARTS LIST  
01.1 Page 1050A  
Nov 01/04

| FIG. & ITEM | PART NO.    | AIRLINE PART NUMBER | NOMENCLATURE  | EFF CODE  | QTY PER ASSY |
|-------------|-------------|---------------------|---|---|--------------|
| 05-20       | 315T3257-4  |                     | .PIN-RTNR   | A-F,<br>H-N,Q<br>,R,<br>T-AA,<br>AC-CC<br>CH-CK<br>,CT-C<br>V,D<br>A-DC,<br>DS-DV | 1            |
| 25          | BACB30VF3K5 |                     | .BOLT   | A-F,<br>H-N,Q<br>,R,<br>T-AA,<br>AC-CC<br>CH-CK<br>,CT-C<br>V,D<br>A-DC,<br>DS-DV | 1            |
| 30          | H10-3BAC    |                     | .NUT-<br>(V15653)<br>(SPEC BACN10JC3)<br>(OPT NS202101-02<br>(V80539))<br>(OPT RMLH9075-3W<br>(V72962))<br>(OPT T6S1032J<br>(V71087))<br>(OPT VN303A02<br>(V92215))<br>(OPT 96-02<br>(V80539))<br>(OPT BRH10A3<br>(V52828)) | A-F,<br>H-N,Q<br>,R,<br>T-AA,<br>AC-CC<br>CH-CK<br>,CT-C<br>V,D<br>A-DC,<br>DS-DV | 1            |

# 71-11-56

 ILLUSTRATED PARTS LIST  
 01.1 Page 1050B  
 Nov 01/04

 **BOEING**  
COMPONENT  
MAINTENANCE MANUAL

| FIG. & ITEM | PART NO.                    | AIRLINE PART NUMBER | NOMENCLATURE<br>1234567  | EFF CODE   | QTY PER ASSY |
|-------------|-----------------------------|---------------------|--|--|--------------|
| 05-35       | MS20615-5MP                 |                     | .RIVET-<br>(SIZE DETERMINE ON INST)<br>(USED ON ITEMS 1, 1A,<br>1D, 3, 3A, 3D)   | A-F,H<br>,J,M,<br>Q,T,A<br>A,A<br>E-AM<br>AW-AZ  | 6            |
| 37          | BACB30MY5K3                 |                     | .BOLT-<br>(USED ON ITEMS 1B, 1C,<br>1E, 1F, 1G, 1H, 3B, 3C,<br>3E, 3F, 3G, 3H, 3J)   | K,L,N<br>,R,<br>U-Z,A<br>C,AD,<br>AN-BZ          | 19           |
| -37A        | BACB30MY5K3                 |                     | .BOLT  | CA-CC<br>,CH-C<br>K,C<br>T-CV,<br>DA-DC<br>DS-DV | 19           |
| 40<br>40A   | BACR15FT5KE<br>BACR15FT5KE3 |                     | DELETED<br>.RIVET-<br>(USED ON ITEMS 1, 1A,<br>1D, 3, 3A, 3D)  | A-F,H<br>,J,M,<br>Q,T,A<br>A,A<br>E-AM<br>AW-AZ  | 13           |
| 42          | HL70-5                      |                     | .COLLAR-<br>(V5M902)<br>(SPEC BACC30M5)<br>(OPT HL70-5<br>(V73197))<br>(OPT HL70-5<br>(V92215))<br>(OPT 66014-5<br>(V56878))<br>(OPT HL70-5<br>(V56878))<br>(USED ON ITEMS 1B, 1C,<br>1E, 1F, 1G, 1H, 3B, 3C,<br>3E, 3F, 3G, 3H, 3J) | K,L,N<br>,R,<br>U-Z,A<br>C,AD,<br>AN-BZ          | 19           |

71-11-56

ILLUSTRATED PARTS LIST  
01.1 Page 1050C  
Nov 01/04

| FIG. & ITEM | PART NO.   | AIRLINE PART NUMBER | NOMENCLATURE<br>1234567  | EFF CODE  | QTY PER ASSY |
|-------------|------------|---------------------|--|---|--------------|
| 05-<br>-42A | HL70-5     |                     | .COLLAR-<br>(V5M902)<br>(SPEC BACC30M5)<br>(OPT HL70-5<br>(V73197))<br>(OPT HL70-5<br>(V92215))<br>(OPT 66014-5<br>(V56878))<br>(OPT HL70-5<br>(V56878)) | CA-CC<br>,CH-C<br>K,C<br>T-CV,<br>DA-DC<br>DS-DV  | 19           |
| 45          | 315T3406-3 |                     | .LINER-AUX TRACK<br>(PRE SB 767-78A0079)   | A-D,<br>J-N,V<br>,Y,Z,<br>AE,AF<br>,AJ,A<br>K<br>AN-AR<br>,AW,A<br>Y,BA,<br>BB,BE<br>,BF<br>BJ,BK<br>,BN,B<br>P | 1            |
| -45A        | 315T3406-3 |                     | .LINER-AUX TRACK<br>(LIMITED)<br>(PRE SB 767-78A0079)  | BS,BT<br>,BW,B<br>X   | 1            |
| -45B        | 315T3406-9 |                     | .LINER-AUX TRACK<br>(LIMITED)<br>(POST SB 767-78A0079)   | BS,BT<br>,BW,B<br>X   | 1            |

# 71-11-56

 ILLUSTRATED PARTS LIST  
 01.1 Page 1050D  
 Nov 01/04

 **BOEING**  
COMPONENT  
MAINTENANCE MANUAL

| FIG. & ITEM | PART NO.   | AIRLINE PART NUMBER | NOMENCLATURE<br>1234567                               | EFF CODE  | QTY PER ASSY |
|-------------|------------|---------------------|---|---|--------------|
| 05-<br>-45C | 315T3406-9 |                     | .LINER-AUX TRACK                                      | CA-CC<br>,CT-C<br>V,DS,<br>DT   | 1            |
| -45D        | 315T3406-9 |                     | .LINER-AUX TRACK<br>(POST SB 767-78A0079)             | A-D,<br>J-N,V<br>,Y,Z,<br>AE,AF<br>,AJ,A<br>K<br>AN-AR<br>,AW,A<br>Y,BA,<br>BB,BE<br>,BF<br>BJ,BK<br>,BN,B<br>P                     | 1            |
| -47         | 315T3406-4 |                     | .LINER-AUX TRACK<br>(PRE SB 767-78A0079)              | E,F,H<br>,Q,R,<br>T,U,W<br>,X,AA<br>,AC<br>AD,AG<br>,AH,A<br>L,AM,<br>AS-AV<br>,AX<br>AZ,BC<br>,BD,B<br>G,BH,<br>BL,BM<br>,BQ<br>BR | 1            |
| -47A        | 315T3406-4 |                     | .LINER-AUX TRACK<br>(LIMITED)<br>(PRE SB 767-78A0079) | BU,BV<br>,BY,B<br>Z   | 1            |

**71-11-56**

ILLUSTRATED PARTS LIST  
01.1 Page 1050E  
Nov 01/04

| FIG. & ITEM | PART NO.    | AIRLINE PART NUMBER | NOMENCLATURE<br>1234567  | EFF CODE  | QTY PER ASSY |
|-------------|-------------|---------------------|--|---|--------------|
| 05-<br>-47B | 315T3406-10 |                     | .LINER-AUX TRACK<br>(LIMITED)<br>(POST SB 767-78A0079)                 | BU, BV<br>, BY, B<br>Z  | 1            |
| -47C        | 315T3406-10 |                     | .LINER-AUX TRACK   | CH-CK<br>, DA-<br>DC, DU<br>, DV  | 1            |
| -47D        | 315T3406-10 |                     | .LINER-AUX TRACK<br>(POST SB 767-78A0079)                              | E, F, H<br>, Q, R,<br>T, U, W<br>, X, AA<br>, AC<br>AD, AG<br>, AH, A<br>L, AM,<br>AS-AV<br>, AX<br>AZ, BC<br>, BD, B<br>G, BH,<br>BL, BM<br>, BQ<br>BR | 1            |
| 50          | BACB30MY8K6 |                     | .BOLT  | A-F,<br>H-N, Q<br>, R,<br>T-AA,<br>AC-CC<br>CH-CK<br>, CT-C<br>V, D<br>A-DC   | 1            |
| 51          | L8006K6     |                     | .BOLT-<br>(V06725)<br>(SPEC BACB30MY6K6)<br>(OPT L800-6-6<br>(V97928)) | A-F,<br>H-N, Q<br>, R,<br>T-AA,<br>AC-CC<br>CH-CK<br>, CT-C<br>V, D<br>A-DC   | 9            |

# 71-11-56

 ILLUSTRATED PARTS LIST  
 01.1 Page 1050F  
 Nov 01/04

 **BOEING**  
COMPONENT  
MAINTENANCE MANUAL

| FIG. & ITEM | PART NO.    | AIRLINE PART NUMBER | NOMENCLATURE<br>1234567   | EFF CODE  | QTY PER ASSY |
|-------------|-------------|---------------------|---|---|--------------|
| 05-52       | BACB30MY6K7 |                     | .BOLT-<br>(USED ON ITEMS 1, 1A, 1B, 1C, 1D, 1E, 1H, 3, 3A, 3B, 3C, 3D, 3E, 3H)  | A-F,<br>H-N,Q<br>,R,<br>T-AA,<br>AC-BA<br>BC-BE<br>,BG,B<br>H | 4            |
| -52A        | BACB30MY6K7 |                     | .BOLT-<br>(LIMITED)<br>(USED ON ITEMS 1F, 1G, 3F, 3G)   | BA-BZ   | 4            |
| -52B        | L8006K6     |                     | .BOLT-<br>(V06725)<br>(SPEC BACB30MY6K6)<br>(OPT L800-6-6<br>(V97928))<br>(LIMITED)<br>(USED ON ITEMS 1F, 1G, 3F, 3G) | BA-BZ   | 4            |
| -52C        | L8006K6     |                     | .BOLT-<br>(V06725)<br>(SPEC BACB30MY6K6)<br>(OPT L800-6-6<br>(V97928))<br>(USED ON ITEMS 1J, 3J)                      | BS-BZ   | 4            |
| -52D        | L8006K6     |                     | .BOLT-<br>(V06725)<br>(SPEC BACB30MY6K6)  | CA-CC<br>,CH-C<br>K,C<br>T-CV,<br>DA-DC<br>DS-DV              | 4            |

**71-11-56**

ILLUSTRATED PARTS LIST  
01.1 Page 1050G  
Nov 01/04



| FIG. & ITEM | PART NO.    | AIRLINE PART NUMBER | NOMENCLATURE<br>1234567   | EFF CODE  | QTY PER ASSY |
|-------------|-------------|---------------------|---|---|--------------|
| 05-53       | BACB30MY6K7 |                     | .BOLT-<br>(OPT ITEM 101)<br>(USED ON ITEMS 1, 1A,<br>1B, 1C, 1D, 1E, 1H, 3,<br>3A, 3B, 3C, 3D, 3E, 3H)                                      | A-F,<br>H-N,Q<br>,R,<br>T-AA,<br>AC-BA<br>BC-BE<br>,BG,B<br>H | 13           |
| -53A        | BACB30MY6K7 |                     | .BOLT-<br>(LIMITED)<br>(OPT ITEM 101A)<br>(USED ON ITEMS 1F, 1G,<br>3F, 3G)   | BA-BZ   | 13           |
| -53B        | L8006K6     |                     | .BOLT-<br>(V06725)<br>(SPEC BACB30MY6K6)<br>(OPT L800-6-6<br>(V97928))<br>(LIMITED)<br>(OPT ITEM 101B)<br>(USED ON ITEMS 1F, 1G,<br>3F, 3G) | BA-BZ   | 13           |
| -53C        | L8006K6     |                     | .BOLT-<br>(V06725)<br>(SPEC BACB30MY6K6)<br>(OPT L800-6-6<br>(V97928))<br>(OPT ITEM 101C)<br>(USED ON ITEMS 1J, 3J)                         | BS-BZ   | 13           |
| -53D        | L8006K6     |                     | .BOLT-<br>(V06725)<br>(SPEC BACB30MY6K6)<br>(OPT ITEM 101D)   | CA-CC<br>,CH-C<br>K,C<br>T-CV,<br>DA-DC<br>DS-DV              | 13           |

# 71-11-56

 ILLUSTRATED PARTS LIST  
 01.1 Page 1050H  
 Nov 01/04

 **BOEING**  
COMPONENT  
MAINTENANCE MANUAL

| FIG. & ITEM | PART NO.     | AIRLINE PART NUMBER | NOMENCLATURE<br>1234567   | EFF CODE  | QTY PER ASSY |
|-------------|--------------|---------------------|---|---|--------------|
| 05-54       | BACB30MY6K7  |                     | .BOLT-<br>(OPT ITEM 102)<br>(USED ON ITEMS 1, 1A,<br>1B, 1C, 1D, 1E, 1H, 3,<br>3A, 3B, 3C, 3D, 3E, 3H)                                      | A-F,<br>H-N,Q<br>,R,<br>T-AA,<br>AC-BA<br>BC-BE<br>,BG,B<br>H | 1            |
| -54A        | BACB30MY6K7  |                     | .BOLT-<br>(LIMITED)<br>(OPT ITEM 102A)<br>(USED ON ITEMS 1F, 1G,<br>3F, 3G)   | BA-BZ   | 1            |
| -54B        | L8006K6      |                     | .BOLT-<br>(V06725)<br>(SPEC BACB30MY6K6)<br>(OPT L800-6-6<br>(V97928))<br>(LIMITED)<br>(OPT ITEM 102B)<br>(USED ON ITEMS 1F, 1G,<br>3F, 3G) | BA-BZ   | 1            |
| -54C        | BACB30FN8K6A |                     | DELETED   |   |              |

71-11-56

ILLUSTRATED PARTS LIST  
01.1 Page 1050I  
Nov 01/04

| FIG. & ITEM         | PART NO.                  | AIRLINE PART NUMBER | NOMENCLATURE<br>1234567   | EFF CODE  | QTY PER ASSY |
|---------------------|---------------------------|---------------------|---|---|--------------|
| 05-<br>-54D<br>-54E | L839-8K7A<br>HL441AZ8-7   |                     | DELETED<br>.BOLT-<br>(V60516)<br>(SPEC BACB30FN8AK7)<br>(OPT HL441UC8K7<br>(V73197))<br>(OPT HL441UC8K7<br>(V92215))<br>(OPT HL441PY8K7<br>(V80539))<br>(OPT HL441N8K7<br>(V80539))<br>(OPT HL4411UC8K7<br>(V80539))<br>(OPT 67068-8AK7<br>(V56878))<br>(OPT HL441UC8K7<br>(V08524))<br>(OPT HL441UC8K7<br>(V97928))<br>(OPT HL441UC8K7<br>(V56878))<br>(OPT ITEM 102D)<br>(USED ON ITEMS 1J, 3J) | BS-BZ   | 1            |
| -54F                | HL441AZ8-6                |                     | .BOLT-<br>(V60516)<br>(SPEC BACB30FN8AK6)<br>(OPT ITEM 102E)  | CA-CC<br>,CH-C<br>K,C<br>T-CV,<br>DA-DC<br>DS-DV              | 1            |
| 55<br>56            | HL10VAZ6-6<br>BACB30MY8K7 |                     | DELETED<br>.BOLT-<br>(OPT ITEM 103)<br>(USED ON ITEMS 1, 1A,<br>1B, 1C, 1D, 1E, 1H, 3,<br>3A, 3B, 3C, 3D, 3E, 3H)   | A-F,<br>H-N,Q<br>,R,<br>T-AA,<br>AC-BA<br>BC-BE<br>,BG,B<br>H | 6            |
| -56A                | BACB30MY8K7               |                     | .BOLT-<br>(LIMITED)<br>(OPT ITEM 103A)<br>(USED ON ITEMS 1F, 1G,<br>3F, 3G)   | BA-BZ   | 6            |

# 71-11-56

 ILLUSTRATED PARTS LIST  
 01.1 Page 1050J  
 Nov 01/04

 **BOEING**  
COMPONENT  
MAINTENANCE MANUAL

| FIG. & ITEM | PART NO.    | AIRLINE PART NUMBER | NOMENCLATURE<br>1234567   | EFF CODE  | QTY PER ASSY |
|-------------|-------------|---------------------|---|---|--------------|
| 05-<br>-56B | BACB30MY8K6 |                     | .BOLT-<br>(LIMITED)<br>(OPT ITEM 103B)<br>(USED ON ITEMS 1F, 1G,<br>3F, 3G)   | BA-BZ   | 6            |
| -56C        | BACB30MY8K6 |                     | .BOLT-<br>(OPT ITEM 103C)<br>(USED ON ITEMS 1J, 3J)   | BS-BZ   | 6            |
| -56D        | BACB30MY8K6 |                     | .BOLT-<br>(OPT ITEM 103D)   | CA-CC<br>,CH-C<br>K,C<br>T-CV,<br>DA-DC<br>DS-DV              | 6            |
| 57          | L839-8K7A   |                     | DELETED   |   |              |
| -57A        | L839-8K7A   |                     | DELETED   |   |              |
| -57B        | L839-8K6A   |                     | DELETED   |   |              |
| -57C        | L839-8K6A   |                     | DELETED   |   |              |
| 57D         | HL441AZ8-7  |                     | .BOLT-<br>(V60516)<br>(SPEC BACB30FN8AK7)<br>(OPT HL441UC8K7<br>(V73197))<br>(OPT HL441UC8K7<br>(V92215))<br>(OPT HL441PY8K7<br>(V80539))<br>(OPT HL441N8K7<br>(V80539))<br>(OPT HL4411UC8K7<br>(V80539))<br>(OPT 67068-8AK7<br>(V56878))<br>(OPT HL441UC8K7<br>(V08524))<br>(OPT HL441UC8K7<br>(V97928))<br>(OPT HL441UC8K7<br>(V56878))<br>(OPT ITEM 104)<br>(USED ON ITEMS 1, 1A,<br>1B, 1C, 1D, 1E, 1H, 3,<br>3A, 3B, 3C, 3D, 3E, 3H) | A-F,<br>H-N,Q<br>,R,<br>T-AA,<br>AC-BA<br>BC-BE<br>,BG,B<br>H | 3            |

71-11-56

ILLUSTRATED PARTS LIST  
01.1 Page 1050K  
Nov 01/04

| FIG. & ITEM | PART NO.   | AIRLINE PART NUMBER | NOMENCLATURE<br>1234567  | EFF CODE   | QTY PER ASSY |
|-------------|------------|---------------------|--|--|--------------|
| 05-<br>-57E | HL441AZ8-7 |                     | .BOLT-<br>(V60516)<br>(SPEC BACB30FN8AK7)<br>(OPT HL441UC8K7<br>(V73197))<br>(OPT HL441UC8K7<br>(V92215))<br>(OPT HL441PY8K7<br>(V80539))<br>(OPT HL441N8K7<br>(V80539))<br>(OPT HL4411UC8K7<br>(V80539))<br>(OPT 67068-8AK7<br>(V56878))<br>(OPT HL441UC8K7<br>(V08524))<br>(OPT HL441UC8K7<br>(V97928))<br>(OPT HL441UC8K7<br>(V56878))<br>(LIMITED)<br>(OPT ITEM 104A)<br>(USED ON ITEMS 1F, 1G,<br>3F, 3G) | BA-BZ  | 3            |
| -57F        | HL441AZ8-6 |                     | .BOLT-<br>(V60516)<br>(SPEC BACB30FN8AK6)<br>(LIMITED)<br>(OPT ITEM 104B)<br>(USED ON ITEMS 1F, 1G,<br>3F, 3G)   | BA-BZ  | 3            |
| -57G        | HL441AZ8-6 |                     | .BOLT-<br>(V60516)<br>(SPEC BACB30FN8AK6)<br>(OPT ITEM 104C)<br>(USED ON ITEMS 1J, 1K,<br>3J, 3K)  | BS-CC<br>,CH-C<br>K,C<br>T-CV,<br>DA-DC          | 3            |
| -57H        | HL441AZ8-6 |                     | .BOLT-<br>(V60516)<br>(SPEC BACB30FN8AK6)<br>(OPT ITEM 104D)   | CA-CC<br>,CH-C<br>K,C<br>T-CV,<br>DA-DC<br>DS-DV | 3            |

# 71-11-56

 ILLUSTRATED PARTS LIST  
 01.1 Page 1050L  
 Nov 01/04

 **BOEING**  
COMPONENT  
MAINTENANCE MANUAL

| FIG. & ITEM      | PART NO.                                | AIRLINE PART NUMBER | NOMENCLATURE<br>1234567  | EFF CODE   | QTY PER ASSY |
|------------------|---|---------------------|--|--|--------------|
| 05-58            | L8006K6                                 |                     | .BOLT-<br>(V06725)<br>(SPEC BACB30MY6K6)<br>(OPT L800-6-6<br>(V97928))<br>(OPT ITEM 106)<br>(USED ON ITEMS 1, 1A,<br>1B, 1C, 1D, 1E, 1F, 1G,<br>1H, 3, 3A, 3B, 3C, 3D,<br>3E, 3F, 3G, 3H)  | A-F,<br>H-N,Q<br>,R,<br>T-AA,<br>AC-BZ           | 2            |
| 59<br>59A<br>59B | BACB30FN8K6A<br>L839-8K7A<br>HL441AZ8-7 |                     | DELETED<br>DELETED<br>.BOLT-<br>(V60516)<br>(SPEC BACB30FN8AK7)<br>(OPT HL441UC8K7<br>(V73197))<br>(OPT HL441UC8K7<br>(V92215))<br>(OPT HL441PY8K7<br>(V80539))<br>(OPT HL441N8K7<br>(V80539))<br>(OPT HL4411UC8K7<br>(V80539))<br>(OPT 67068-8AK7<br>(V56878))<br>(OPT HL441UC8K7<br>(V08524))<br>(OPT HL441UC8K7<br>(V97928))<br>(OPT HL441UC8K7<br>(V56878))<br>(OPT ITEM 107A)<br>(USED ON ITEMS 1J, 3J) | BS-BZ  | 1            |
| -59C             | HL441AZ8-6                              |                     | .BOLT-<br>(V60516)<br>(SPEC BACB30FN8AK6)<br>(OPT ITEM 107B)   | CA-CC<br>,CH-C<br>K,C<br>T-CV,<br>DA-DC<br>DS-DV | 1            |
| 60               | HL10VAZ6-7                              |                     | DELETED  |  |              |

71-11-56

| FIG. & ITEM | PART NO.     | AIRLINE PART NUMBER | NOMENCLATURE<br>1234567   | EFF CODE  | QTY PER ASSY |
|-------------|--------------|---------------------|---|---|--------------|
| 05-61       | L8006K6      |                     | .BOLT-<br>(V06725)<br>(SPEC BACB30MY6K6)<br>(OPT L800-6-6<br>(V97928))<br>(OPT ITEM 108)<br>(USED ON ITEMS 1, 1A,<br>1B, 1C, 1D, 1E, 1F, 1G,<br>1H, 3, 3A, 3B, 3C, 3D,<br>3E, 3F, 3G, 3H) | A-F,<br>H-N,Q<br>,R,<br>T-AA,<br>AC-BZ  | 1            |
| -61A        | BACB30FN8K6  |                     | DELETED   |   |              |
| -61B        | L839-8K7     |                     | DELETED   |   |              |
| -61C        | BACB30FN8KA7 |                     | .BOLT-<br>(OPT ITEM 108B)<br>(USED ON ITEMS 1J, 3J)   | BS-BZ   | 1            |
| -61D        | BACB30FN8KA6 |                     | .BOLT-<br>(OPT ITEM 108C)   | CA-CC<br>,CH-C<br>K,C<br>T-CV,<br>DA-DC<br>DS-DV                                  | 1            |
| 62          | L8006K6      |                     | .BOLT-<br>(V06725)<br>(SPEC BACB30MY6K6)<br>(OPT L800-6-6<br>(V97928))<br>(OPT ITEM 109)  | A-F,<br>H-N,Q<br>,R,<br>T-AA,<br>AC-CC<br>CH-CK<br>,CT-C<br>V,D<br>A-DC,<br>DS-DV | 4            |
| 63          | HL79-8       |                     | .COLLAR-<br>(V5M902)<br>(SPEC BACC30M8)<br>(OPT HL79-8<br>(V73197))<br>(OPT HL79-8<br>(V92215))<br>(OPT 66014-8<br>(V56878))<br>(OPT HL79-8<br>(V56878))                                  | A-F,<br>H-N,Q<br>,R,<br>T-AA,<br>AC-CC<br>CH-CK<br>,CT-C<br>V,D<br>A-DC,<br>DS-DV | 7            |

# 71-11-56

 ILLUSTRATED PARTS LIST  
 01.1 Page 1050N  
 Nov 01/04

**BOEING**  
COMPONENT  
MAINTENANCE MANUAL

| FIG. & ITEM | PART NO.             | AIRLINE PART NUMBER | NOMENCLATURE<br>1234567  | EFF CODE  | QTY PER ASSY |
|-------------|----------------------|---------------------|--|---|--------------|
| 05-64       | HL79-6               |                     | .COLLAR-<br>(V5M902)<br>(SPEC BACC30M6)<br>(OPT HL79-6<br>(V73197))<br>(OPT HL79-6<br>(V92215))<br>(OPT 66014-6<br>(V56878))<br>(OPT HL79-6<br>(V56878))   | A-F,<br>H-N,Q<br>,R,<br>T-AA,<br>AC-CC<br>CH-CK<br>,CT-C<br>V,D<br>A-DC,<br>DS-DV | 30           |
| 65<br>66    | HL10VAZ8-7<br>HL79-6 |                     | DELETED<br>.COLLAR-<br>(V5M902)<br>(SPEC BACC30M6)<br>(OPT HL79-6<br>(V73197))<br>(OPT HL79-6<br>(V92215))<br>(OPT 66014-6<br>(V56878))<br>(OPT HL79-6<br>(V56878))<br>(USED ON ITEMS 1, 1A,<br>1B, 1C, 1D, 1E, 1F, 1G,<br>1H, 3, 3A, 3B, 3C, 3D,<br>3E, 3F, 3G, 3H) | A-F,<br>H-N,Q<br>,R,<br>T-AA,<br>AC-BZ  | 2            |
| -66A        | HL97DU8              |                     | .COLLAR-<br>(V73197)<br>(SPEC BACC30AB8S)<br>(OPT HL97DU8<br>(V56878))<br>(OPT HL97DU8<br>(V5M902))<br>(USED ON ITEMS 1J, 3J)  | BS-BZ   | 2            |
| -66B        | HL97DU8              |                     | .COLLAR-<br>(V73197)<br>(SPEC BACC30AB8S)<br>(OPT HL97DU8<br>(V56878))<br>(OPT HL97DU8<br>(V5M902))  | CA-CC<br>,CH-C<br>K,C<br>T-CV,<br>DA-DC<br>DS-DV                                  | 2            |

71-11-56

ILLUSTRATED PARTS LIST  
01.1 Page 10500  
Nov 01/04



| FIG. & ITEM | PART NO. | AIRLINE PART NUMBER | NOMENCLATURE<br>1234567   | EFF CODE  | QTY PER ASSY |
|-------------|----------|---------------------|---|---|--------------|
| 05-67       | HL97DU8  |                     | .COLLAR-<br>(V73197)<br>(SPEC BACC30AB8S)<br>(OPT HL97DU8<br>(V56878))<br>(OPT HL97DU8<br>(V5M902))   | A-F,<br>H-N,Q<br>,R,<br>T-AA,<br>AC-CC<br>CH-CK<br>,CT-C<br>V,D<br>A-DC,<br>DS-DV | 3            |
| 68          | HL79-6   |                     | .COLLAR-<br>(V5M902)<br>(SPEC BACC30M6)<br>(OPT HL79-6<br>(V73197))<br>(OPT HL79-6<br>(V92215))<br>(OPT 66014-6<br>(V56878))<br>(OPT HL79-6<br>(V56878))<br>(USED ON ITEMS 1, 1A,<br>1B, 1C, 1D, 1E, 1F, 1G,<br>1H, 3, 3A, 3B, 3C, 3D,<br>3E, 3F, 3G, 3H) | A-F,<br>H-N,Q<br>,R,<br>T-AA,<br>AC-BZ  | 2            |
| -69         | HL97DU8  |                     | .COLLAR-<br>(V73197)<br>(SPEC BACC30AB8S)<br>(OPT HL97DU8<br>(V56878))<br>(OPT HL97DU8<br>(V5M902))<br>(USED ON ITEMS 1J, 3J)   | BS-BZ   | 1            |
| -69A        | HL97DU8  |                     | .COLLAR-<br>(V73197)<br>(SPEC BACC30AB8S)<br>(OPT HL97DU8<br>(V56878))<br>(OPT HL97DU8<br>(V5M902))   | CA-CC<br>,CH-C<br>K,C<br>T-CV,<br>DA-DC<br>DS-DV                                  | 1            |

71-11-56

ILLUSTRATED PARTS LIST  
01.1 Page 1050P  
Nov 01/04

 **BOEING**  
COMPONENT  
MAINTENANCE MANUAL

| FIG. & ITEM | PART NO.    | AIRLINE PART NUMBER | NOMENCLATURE<br>1234567   | EFF CODE  | QTY PER ASSY |
|-------------|-------------|---------------------|---|---|--------------|
| 05-70       | HL11VAZ6-23 |                     | .BOLT-<br>(V60516)<br>(SPEC BACB30NW6K23)<br>(OPT B30NW6K23<br>(V97928))<br>(OPT HL11VAZ6-23<br>(V73197))<br>(OPT HL11VAZ6-23<br>(V92215))<br>(OPT HL11VAZ6-23<br>(V97928))<br>(OPT L803-6K23<br>(V06725))<br>(OPT HL11VAZ6-23<br>(V0PTK6))<br>(OPT HL11VAZ6-23<br>(V56878))                              | A-F,<br>H-N,Q<br>,R,<br>T-AA,<br>AC-CC<br>CH-CK<br>,CT-C<br>V,D<br>A-DC,<br>DS-DV | 14           |
| 75          | HL11VAZ8-23 |                     | .BOLT-<br>(V60516)<br>(SPEC BACB30NW8K23)<br>(OPT B30NW8K23<br>(V97928))<br>(OPT HL11VAZ8-23<br>(V73197))<br>(OPT HL11VAZ8-23<br>(V92215))<br>(OPT HL11VAZ8-23<br>(V97928))<br>(OPT L803-8K23<br>(V06725))<br>(OPT HL11VAZ8-23<br>(V08524))<br>(OPT HL11V23<br>(V06725))<br>(OPT HL11VAZ8-23<br>(V56878)) | A-F,<br>H-N,Q<br>,R,<br>T-AA,<br>AC-CC<br>CH-CK<br>,CT-C<br>V,D<br>A-DC,<br>DS-DV | 7            |

71-11-56

ILLUSTRATED PARTS LIST  
01.1 Page 1050Q  
Nov 01/04

| FIG. & ITEM | PART NO.    | AIRLINE PART NUMBER | NOMENCLATURE<br>1234567   | EFF CODE  | QTY PER ASSY |
|-------------|-------------|---------------------|---|---|--------------|
| 05-80       | HL11VAZ6-22 |                     | .BOLT-<br>(V60516)<br>(SPEC BACB30NW6K22)<br>(OPT B30NW6K22 (V97928))<br>(OPT HL11VAZ6-22 (V73197))<br>(OPT HL11VAZ6-22 (V92215))<br>(OPT HL11VAZ6-22 (V97928))<br>(OPT L803-6K22 (V06725))<br>(OPT HL11VAZ6-22 (V0PTK6))<br>(OPT HL11VAZ6-22 (V56878)) | A-F,<br>H-N,Q<br>,R,<br>T-AA,<br>AC-CC<br>CH-CK<br>,CT-C<br>V,D<br>A-DC,<br>DS-DV | 1            |
| 85          | HL11VAZ6-21 |                     | .BOLT-<br>(V60516)<br>(SPEC BACB30NW6K21)<br>(OPT B30NW6K21 (V97928))<br>(OPT HL11VAZ6-21 (V73197))<br>(OPT HL11VAZ6-21 (V92215))<br>(OPT HL11VAZ6-21 (V97928))<br>(OPT L803-6K21 (V06725))<br>(OPT HL11VAZ6-21 (V0PTK6))<br>(OPT HL11VAZ6-21 (V56878)) | A-F,<br>H-N,Q<br>,R,<br>T-AA,<br>AC-CC<br>CH-CK<br>,CT-C<br>V,D<br>A-DC,<br>DS-DV | 1            |

# 71-11-56

 ILLUSTRATED PARTS LIST  
 01.1 Page 1050R  
 Nov 01/04

 **BOEING**  
COMPONENT  
MAINTENANCE MANUAL

| FIG. & ITEM | PART NO.    | AIRLINE PART NUMBER | NOMENCLATURE<br>1234567  | EFF CODE  | QTY PER ASSY |
|-------------|-------------|---------------------|--|---|--------------|
| 05-90       | HL11VAZ6-20 |                     | .BOLT-<br>(V60516)<br>(SPEC BACB30NW6K20)<br>(OPT B30NW6K20<br>(V97928))<br>(OPT HL11VAZ6-20<br>(V73197))<br>(OPT HL11VAZ6-20<br>(V92215))<br>(OPT HL11VAZ6-20<br>(V97928))<br>(OPT L803-6K20<br>(V06725))<br>(OPT HL11VAZ6-20<br>(VOPTK6))<br>(OPT HL11VAZ6-20<br>(V56878)) | A-F,<br>H-N,Q<br>,R,<br>T-AA,<br>AC-CC<br>CH-CK<br>,CT-C<br>V,D<br>A-DC,<br>DS-DV | 1            |
| 95          | HL11VAZ6-19 |                     | .BOLT-<br>(V60516)<br>(SPEC BACB30NW6K19)<br>(OPT B30NW6K19<br>(V97928))<br>(OPT HL11VAZ6-19<br>(V73197))<br>(OPT HL11VAZ6-19<br>(V92215))<br>(OPT HL11VAZ6-19<br>(V97928))<br>(OPT L803-6K19<br>(V06725))<br>(OPT HL11VAZ6-19<br>(VOPTK6))<br>(OPT HL11VAZ6-19<br>(V56878)) | A-F,<br>H-N,Q<br>,R,<br>T-AA,<br>AC-CC<br>CH-CK<br>,CT-C<br>V,D<br>A-DC,<br>DS-DV | 5            |

**71-11-56**

ILLUSTRATED PARTS LIST  
01.1 Page 1050S  
Nov 01/04

| FIG. & ITEM | PART NO.   | AIRLINE PART NUMBER | NOMENCLATURE<br>1234567  | EFF CODE  | QTY PER ASSY |
|-------------|------------|---------------------|--|---|--------------|
| 05-96       | HL79-6     |                     | .COLLAR-<br>(V5M902)<br>(SPEC BACC30M6)<br>(OPT HL79-6<br>(V73197))<br>(OPT HL79-6<br>(V92215))<br>(OPT 66014-6<br>(V56878))<br>(OPT HL79-6<br>(V56878)) | A-F,<br>H-N,Q<br>,R,<br>T-AA,<br>AC-CC<br>CH-CK<br>,CT-C<br>V,D<br>A-DC,<br>DS-DV | 13           |
| 97          | HL79-8     |                     | .COLLAR-<br>(V5M902)<br>(SPEC BACC30M8)<br>(OPT HL79-8<br>(V73197))<br>(OPT HL79-8<br>(V92215))<br>(OPT 66014-8<br>(V56878))<br>(OPT HL79-8<br>(V56878)) | A-F,<br>H-N,Q<br>,R,<br>T-AA,<br>AC-CC<br>CH-CK<br>,CT-C<br>V,D<br>A-DC,<br>DS-DV | 7            |
| 98          | HL82-6APBW |                     | .COLLAR-<br>(V5M902)<br>(SPEC BACC30AG6)<br>(OPT HL82-6APBW<br>(V92215))<br>(OPT HL82-6APBW<br>(V56878))<br>(OPT HL82-6APBW<br>(V73197))                 | A-F,<br>H-N,Q<br>,R,<br>T-AA,<br>AC-CC<br>CH-CK<br>,CT-C<br>V,D<br>A-DC,<br>DS-DV | 9            |

# 71-11-56

 ILLUSTRATED PARTS LIST  
 01.1 Page 1050T  
 Nov 01/04

 **BOEING**  
COMPONENT  
MAINTENANCE MANUAL

| FIG. & ITEM       | PART NO.                   | AIRLINE PART NUMBER | NOMENCLATURE<br>1234567  | EFF CODE  | QTY PER ASSY |
|-------------------|----------------------------|---------------------|--|---|--------------|
| 05-<br>100<br>101 | HL11VAZ6-18<br>BACB30NM3K7 |                     | DELETED<br>.BOLT-<br>(OPT ITEM 53)<br>(USED ON ITEMS 1, 1A,<br>1B, 1C, 1D, 1E, 1H, 3,<br>3A, 3B, 3C, 3D, 3E, 3H) | A-F,<br>H-N,Q<br>,R,<br>T-AA,<br>AC-BA<br>BC-BE<br>,BG,B<br>H | 13           |
| -101A             | BACB30NM3K7                |                     | .BOLT-<br>(LIMITED)<br>(OPT ITEM 53A)<br>(USED ON ITEMS 1F, 1G,<br>3F, 3G)                                       | BA-BZ   | 13           |
| -101B             | BACB30NM3K6                |                     | .BOLT-<br>(LIMITED)<br>(OPT ITEM 53B)<br>(USED ON ITEMS 1F, 1G,<br>3F, 3G)                                       | BA-BZ   | 13           |
| -101C             | BACB30NM3K6                |                     | .BOLT-<br>(OPT ITEM 53C)<br>(USED ON ITEMS 1J, 3J)   | BS-BZ   | 13           |
| -101D             | BACB30NM3K6                |                     | .BOLT-<br>(OPT ITEM 53D)   | CA-CC<br>,CH-C<br>K,C<br>T-CV,<br>DA-DC<br>DS-DV              | 13           |
| 102               | BACB30VF3K7                |                     | .BOLT-<br>(OPT ITEM 54)<br>(USED ON ITEMS 1, 1A,<br>1B, 1C, 1D, 1E, 1H, 3,<br>3A, 3B, 3C, 3D, 3E, 3H)            | A-F,<br>H-N,Q<br>,R,<br>T-AA,<br>AC-BA<br>BC-BE<br>,BG,B<br>H | 1            |

71-11-56

ILLUSTRATED PARTS LIST  
01.1 Page 1050U  
Nov 01/04

| FIG. & ITEM  | PART NO.    | AIRLINE PART NUMBER | NOMENCLATURE<br>1234567   | EFF CODE  | QTY PER ASSY |
|--------------|-------------|---------------------|---|---|--------------|
| 05-<br>-102A | BACB30VF3K7 |                     | .BOLT-<br>(LIMITED)<br>(OPT ITEM 54A)<br>(USED ON ITEMS 1F, 1G,<br>3F, 3G)                            | BA-BZ   | 1            |
| -102B        | BACB30VF3K6 |                     | .BOLT-<br>(LIMITED)<br>(OPT ITEM 54B)<br>(USED ON ITEMS 1F, 1G,<br>3F, 3G)                            | BA-BZ   | 1            |
| -102C        | BACB30VF3K6 |                     | DELETED   |   |              |
| -102D        | BACB30VF4K7 |                     | .BOLT-<br>(OPT ITEM 54E)<br>(USED ON ITEMS 1J, 3J)  | BS-BZ   | 1            |
| -102E        | BACB30VF4K6 |                     | .BOLT-<br>(OPT ITEM 54F)  | CA-CC<br>,CH-C<br>K,C<br>T-CV,<br>DA-DC<br>DS-DV<br>A-F,<br>H-N,Q<br>,R,<br>T-AA,<br>AC-BA<br>BC-BE<br>,BG,B<br>H | 1            |
| 103          | BACB30NR4K7 |                     | .BOLT-<br>(OPT ITEM 56)<br>(USED ON ITEMS 1, 1A,<br>1B, 1C, 1D, 1E, 1H, 3,<br>3A, 3B, 3C, 3D, 3E, 3H) | BA-BZ   | 6            |
| -103A        | BACB30NR4K7 |                     | .BOLT-<br>(LIMITED)<br>(OPT ITEM 56A)<br>(USED ON ITEMS 1F, 1G,<br>3F, 3G)                            | BA-BZ   | 6            |

# 71-11-56

 ILLUSTRATED PARTS LIST  
 01.1 Page 1050V  
 Nov 01/04

 **BOEING**  
COMPONENT  
MAINTENANCE MANUAL

| FIG. & ITEM  | PART NO.    | AIRLINE PART NUMBER | NOMENCLATURE<br>1234567  | EFF CODE  | QTY PER ASSY |
|--------------|-------------|---------------------|--|---|--------------|
| 05-<br>-103B | BACB30NR4K6 |                     | .BOLT-<br>(LIMITED)<br>(OPT ITEM 56B)<br>(USED ON ITEMS 1F, 1G,<br>3F, 3G)                             | BA-BZ   | 6            |
| -103C        | BACB30NR4K6 |                     | .BOLT-<br>(OPT ITEM 56C)<br>(USED ON ITEMS 1J, 3J)   | BS-BZ   | 6            |
| -103D        | BACB30NR4K6 |                     | .BOLT-<br>(OPT ITEM 56D)   | CA-CC<br>,CH-C<br>K,C<br>T-CV,<br>DA-DC<br>DS-DV              | 6            |
| 104          | BACB30VF4K7 |                     | .BOLT-<br>(OPT ITEM 57D)<br>(USED ON ITEMS 1, 1A,<br>1B, 1C, 1D, 1E, 1H, 3,<br>3A, 3B, 3C, 3D, 3E, 3H) | A-F,<br>H-N,Q<br>,R,<br>T-AA,<br>AC-BA<br>BC-BE<br>,BG,B<br>H | 3            |
| -104A        | BACB30VF4K7 |                     | .BOLT-<br>(LIMITED)<br>(OPT ITEM 57E)<br>(USED ON ITEMS 1F, 1G,<br>3F, 3G)                             | BA-BZ   | 3            |
| -104B        | BACB30VF4K6 |                     | .BOLT-<br>(LIMITED)<br>(OPT ITEM 57F)<br>(USED ON ITEMS 1F, 1G,<br>3F, 3G)                             | BA-BZ   | 3            |
| -104C        | BACB30VF4K6 |                     | .BOLT-<br>(OPT ITEM 57G)<br>(USED ON ITEMS 1J, 3J)   | BS-BZ   | 3            |
| -104D        | BACB30VF4K6 |                     | .BOLT-<br>(OPT ITEM 57H)   | CA-CC<br>,CH-C<br>K,C<br>T-CV,<br>DA-DC<br>DS-DV              | 3            |
| 105          | HL11VAZ6-17 |                     | DELETED  |   |              |

71-11-56

ILLUSTRATED PARTS LIST  
01.1 Page 1050W  
Nov 01/04



| FIG. & ITEM | PART NO.    | AIRLINE PART NUMBER | NOMENCLATURE<br>1234567  | EFF CODE   | QTY PER ASSY |
|-------------|-------------|---------------------|--|--|--------------|
| 05-106      | BACB30VF3K6 |                     | .BOLT-<br>(OPT ITEM 58)<br>(USED ON ITEMS 1, 1A,<br>1B, 1C, 1D, 1E, 1F, 1G,<br>1H, 3, 3A, 3B, 3C, 3D,<br>3E, 3F, 3G, 3H) | A-F,<br>H-N,Q<br>,R,<br>T-AA,<br>AC-BZ           | 2            |
| 107         | BACB30VF4K6 |                     | DELETED  |  |              |
| 107A        | BACB30VF4K7 |                     | .BOLT-<br>(OPT ITEM 59B)<br>(USED ON ITEMS 1J, 3J)   | BS-BZ  | 1            |
| -107B       | BACB30VF4K6 |                     | .BOLT-<br>(OPT ITEM 59C)   | CA-CC<br>,CH-C<br>K,C<br>T-CV,<br>DA-DC<br>DS-DV | 1            |
| 108         | BACB30VF3K6 |                     | .BOLT-<br>(OPT ITEM 61)<br>(USED ON ITEMS 1, 1A,<br>1B, 1C, 1D, 1E, 1F, 1G,<br>1H, 3, 3A, 3B, 3C, 3D,<br>3E, 3F, 3G, 3H) | A-F,<br>H-N,Q<br>,R,<br>T-AA,<br>AC-BZ           | 1            |
| -108A       | BACB30VF4K6 |                     | DELETED  |  |              |
| -108B       | BACB30VF4K7 |                     | .BOLT-<br>(OPT ITEM 61C)<br>(USED ON ITEMS 1J, 3J)   | BS-BZ  | 1            |
| -108C       | BACB30VF4K6 |                     | .BOLT-<br>(OPT ITEM 61D)   | CA-CC<br>,CH-C<br>K,C<br>T-CV,<br>DA-DC<br>DS-DV | 1            |

# 71-11-56

 ILLUSTRATED PARTS LIST  
 01.1 Page 1050X  
 Nov 01/04

| FIG. & ITEM | PART NO.    | AIRLINE PART NUMBER | NOMENCLATURE<br>1234567   | EFF CODE  | QTY PER ASSY |
|-------------|-------------|---------------------|---|---|--------------|
| 05-109      | BACB30NM3K6 |                     | .BOLT-<br>(OPT ITEM 62)   | A-F,<br>H-N,Q<br>,R,<br>T-AA,<br>AC-CC<br>CH-CK<br>,CT-C<br>V,D<br>A-DC,<br>DS-DV | 4            |
| 110         | HL11VAZ6-16 |                     | DELETED   |   |              |
| 111         | AN96OKD10L  |                     | .WASHER   | A-F,<br>H-N,Q<br>,R,<br>T-AA,<br>AC-CC<br>CH-CK<br>,CT-C<br>V,D<br>A-DC,<br>DS-DV | 17           |
| 112         | AN96OKD10L  |                     | .WASHER-<br>(USED ON ITEMS 1, 1A,<br>1B, 1C, 1D, 1E, 1F, 1G,<br>1H, 3, 3A, 3B, 3C, 3D,<br>3E, 3F, 3G, 3H) | A-F,<br>H-N,Q<br>,R,<br>T-AA,<br>AC-BZ  | 2            |
| -112A       | AN96OKD416L |                     | .WASHER-<br>(USED ON ITEMS 1J, 3J)  | BS-BZ   | 2            |
| -112B       | AN96OKD416L |                     | .WASHER   | CA-CC<br>,CH-C<br>K,C<br>T-CV,<br>DA-DC<br>DS-DV                                  | 2            |

71-11-56

| FIG. & ITEM | PART NO.    | AIRLINE PART NUMBER | NOMENCLATURE<br>1234567   | EFF CODE  | QTY PER ASSY |
|-------------|-------------|---------------------|---|---|--------------|
| 05-113      | AN96OKD416L |                     | .WASHER   | A-F,<br>H-N,Q<br>,R,<br>T-AA,<br>AC-CC<br>CH-CK<br>,CT-C<br>V,D<br>A-DC,<br>DS-DV | 9            |
| 114         | AN96OKD10L  |                     | .WASHER-<br>(USED ON ITEMS 1, 1A,<br>1B, 1C, 1D, 1E, 1F, 1G,<br>1H, 3, 3A, 3B, 3C, 3D,<br>3E, 3F, 3G, 3H) | A-F,<br>H-N,Q<br>,R,<br>T-AA,<br>AC-BZ  | 2            |
| 115         | HL11VAZ6-15 |                     | DELETED   |   |              |
| -116        | AN96OKD416L |                     | .WASHER-<br>(USED ON ITEMS 1J, 3J)  | BS-BZ   | 1            |
| -116A       | AN96OKD416L |                     | .WASHER   | CA-CC<br>,CH-C<br>K,C<br>T-CV,<br>DA-DC<br>DS-DV                                  | 1            |
| 117         | NAS1805-3L  |                     | .NUT  | A-F,<br>H-N,Q<br>,R,<br>T-AA,<br>AC-CC<br>CH-CK<br>,CT-C<br>V,D<br>A-DC,<br>DS-DV | 17           |

# 71-11-56

 ILLUSTRATED PARTS LIST  
 01.1 Page 1050Z  
 Nov 01/04



**BOEING**  
COMPONENT  
MAINTENANCE MANUAL

| FIG. & ITEM | PART NO.     | AIRLINE PART NUMBER | NOMENCLATURE<br>1234567   | EFF CODE  | QTY PER ASSY |
|-------------|--------------|---------------------|---|---|--------------|
| 05-118      | NAS1805-3L   |                     | .NUT-<br>(USED ON ITEMS 1, 1A, 1B, 1C, 1D, 1E, 1F, 1G, 1H, 3, 3A, 3B, 3C, 3D, 3E, 3F, 3G, 3H) | A-F,<br>H-N,Q<br>,R,<br>T-AA,<br>AC-BZ  | 2            |
| -118A       | NAS1805-4L   |                     | .NUT-<br>(USED ON ITEMS 1J, 3J)   | BS-BZ   | 2            |
| -118B       | NAS1805-4L   |                     | .NUT  | CA-CC<br>,CH-C<br>K,C<br>T-CV,<br>DA-DC<br>DS-DV                                  | 2            |
| 119         | NAS1805-4L   |                     | .NUT  | A-F,<br>H-N,Q<br>,R,<br>T-AA,<br>AC-CC<br>CH-CK<br>,CT-C<br>V,D<br>A-DC,<br>DS-DV | 9            |
| 120         | HL11VAZ6-14  |                     | DELETED   |   |              |
| 121         | NAS1805-3L   |                     | .NUT-<br>(USED ON ITEMS 1, 1A, 1B, 1C, 1D, 1E, 1F, 1G, 1H, 3, 3A, 3B, 3C, 3D, 3E, 3F, 3G, 3H) | A-F,<br>H-N,Q<br>,R,<br>T-AA,<br>AC-BZ  | 2            |
| 122         | NAS1805-4L   |                     | .NUT-<br>(USED ON ITEMS 1J, 3J)   | BS-BZ   | 1            |
| -122A       | NAS1805-4L   |                     | .NUT  | CA-CC<br>,CH-C<br>K,C<br>T-CV,<br>DA-DC<br>DS-DV                                  | 1            |
| 123         | ASFPDPT6-18  |                     | DELETED   |   |              |
| 123A        | ASFPDPT06-18 |                     | DELETED   |   |              |
| 124         | ASFPDPT06-22 |                     | DELETED   |   |              |
| 125         | HL79-8       |                     | DELETED   |   |              |
| 130         | HL79-6       |                     | DELETED   |   |              |

71-11-56

| FIG. & ITEM         | PART NO.                            | AIRLINE PART NUMBER | NOMENCLATURE<br>1234567   | EFF CODE  | QTY PER ASSY |
|---------------------|-------------------------------------|---------------------|---|---|--------------|
| 05-134              | ASFPD06-18                          |                     | .PIN-<br>(V29666)<br>(ASFPD06-18,<br>ASFPD-06-18 AND<br>ASFPD-06-18 ARE<br>EQUIVALENT PART NUMBERS)                     | A-F,<br>H-N,Q<br>,R,<br>T-AA,<br>AC-CC<br>CH-CK<br>,CT-C<br>V,D<br>A-DC,<br>DS-DV | 5            |
| 135<br>136          | HL82-6APBW<br>ASFPD06-22            |                     | DELETED<br>.BOLT-<br>(V29666)<br>(ASFPD06-22,<br>ASFPD-06-22 AND<br>ASFPD-06-22 ARE<br>EQUIVALENT PART NUMBERS)         | A-F,<br>H-N,Q<br>,R,<br>T-AA,<br>AC-CC<br>CH-CK<br>,CT-C<br>V,D<br>A-DC,<br>DS-DV | 1            |
| 137<br>137A         | 2ASPPD06<br>2ASPPD06                |                     | DELETED<br>.SLEEVE-<br>(V29666)<br>(2ASPPD06, 2ASPPD-06<br>AND 2ASPPD06 ARE<br>EQUIVALENT PART NUMBERS)                 | A-F,<br>H-N,Q<br>,R,<br>T-AA,<br>AC-CC<br>CH-CK<br>,CT-C<br>V,D<br>A-DC,<br>DS-DV | 6            |
| 140<br>140A<br>140B | H01-3BAC<br>ASPLC2AC6<br>ASPLC2AC06 |                     | DELETED<br>DELETED<br>.COLLAR-<br>(V29666)<br>(ASPLC2AC6, ASP-LC2AC6<br>AND ASP-LC2AC06 ARE<br>EQUIVALENT PART NUMBERS) | A-F,<br>H-N,Q<br>,R,<br>T-AA,<br>AC-CC<br>CH-CK<br>,CT-C<br>V,D<br>A-DC,<br>DS-DV | 6            |
| 145                 | BACB30FN8A7K                        |                     | DELETED   |   |              |

# 71-11-56

 ILLUSTRATED PARTS LIST  
 01.1 Page 1052  
 Nov 01/04

 **BOEING**  
COMPONENT  
MAINTENANCE MANUAL

| FIG. & ITEM | PART NO.       | AIRLINE PART NUMBER | NOMENCLATURE<br>1234567  | EFF CODE   | QTY PER ASSY |
|-------------|----------------|---------------------|--|--|--------------|
| 05-<br>150  | HL97DU8        |                     | DELETED  |  |              |
| 151         | ASPPFD8-23     |                     | DELETED  |  |              |
| 151A        | ASPPFD8-23     |                     | DELETED  |  |              |
| 151B        | ASP100PDT08-23 |                     | .PIN-<br>(V29666)<br>(USED ON ITEMS 1, 1A,<br>1B, 1C, 1D, 1E, 1H, 3,<br>3A, 3B, 3C, 3D, 3E, 3H)<br>(ASP100DT06-23,<br>ASP100PDT8-23 AND<br>ASP100P-DT08-23 ARE<br>EQUIVALENT PART NUMBERS) | A-F,<br>H-N,Q<br>,R,<br>T-AA,<br>AC-BA<br>,BC<br>BD,BE<br>,BG,B<br>H | 3            |
| -151C       | ASP100PDT08-23 |                     | .PIN-<br>(LIMITED)<br>(V29666)<br>(USED ON ITEMS 1F, 1G,<br>3F, 3G)<br>(ASP100DT06-23,<br>ASP100PDT8-23 AND<br>ASP100P-DT08-23 ARE<br>EQUIVALENT PART NUMBERS)                             | BA-BR  | 3            |
| -151D       | ASP100PDT08-24 |                     | .PIN-<br>(LIMITED)<br>(V29666)<br>(USED ON ITEMS 1F, 1G,<br>3F, 3G)<br>(ASP100DT06-24,<br>ASP100PDT8-24 AND<br>ASP100P-DT08-24 ARE<br>EQUIVALENT PART NUMBERS)                             | BA-BZ  | 3            |
| -151E       | ASP100PDT08-24 |                     | .PIN-<br>(V17446)<br>(USED ON ITEMS 1J, 3J)  | BS-BZ  | 3            |
| -151F       | ASP100PDT08-24 |                     | .PIN-<br>(V17446)  | CA-CC<br>,CH-C<br>K,C<br>T-CV,<br>DA-DC<br>DS-DV                     | 3            |

71-11-56

| FIG. & ITEM                | PART NO.                            | AIRLINE PART NUMBER | NOMENCLATURE  | EFF CODE  | QTY PER ASSY |
|----------------------------|-------------------------------------|---------------------|---|---|--------------|
| 05-<br>152<br>152A<br>152B | ASPFSDT8<br>2ASPPSDT8<br>2ASPPSDT08 |                     | 1234567<br><br>DELETED<br>DELETED<br>. SLEEVE-<br>(V29666)                | A-F,<br>H-N,Q<br>,R,<br>T-AA,<br>AC-CC<br>CH-CK<br>,CT-C<br>V,D<br>A-DC,<br>DS-DV   | 3            |
| 153<br>153A                | ASPLC2AC8<br>ASPLC2AC08             |                     | DELETED<br>. COLLAR-<br>(V29666)  | A-F,<br>H-N,Q<br>,R,<br>T-AA,<br>AC-CC<br>CH-CK<br>,CT-C<br>V,D<br>A-DC,<br>DS-DV   | 3            |
| 155                        | 315T3324-3                          |                     | . STRAP-SPLICE<br>(USED ON ITEMS 1, 1A,<br>1B, 1C, 1D, 1E, 1F, 1G,<br>1H) | A-D,<br>J-N,V<br>,Y,Z,<br>AE,AF<br>,AJ,A<br>K<br>AN-AR<br>,AW,A<br>Y,BA,<br>BB,BE<br>,BF<br>BJ,BK<br>,BN,B<br>P,BS,<br>BT,BW<br>,BX | 1            |

# 71-11-56

 ILLUSTRATED PARTS LIST  
 01.1 Page 1052B  
 Nov 01/04

 **BOEING**  
COMPONENT  
MAINTENANCE MANUAL

| FIG. & ITEM  | PART NO.   | AIRLINE PART NUMBER | NOMENCLATURE<br>1234567  | EFF CODE  | QTY PER ASSY |
|--------------|------------|---------------------|--|---|--------------|
| 05-<br>-155A | 315T3324-5 |                     | .STRAP-SPLICE<br>(USED ON ITEM 1J)                                       | BS,BT<br>,BW,B<br>X   | 1            |
| -155B        | 315T3324-5 |                     | .STRAP-SPLICE  | CA-CC<br>,CT-C<br>V,DS,<br>DT   | 1            |
| -160         | 315T3324-4 |                     | .STRAP-SPLICE<br>(USED ON ITEMS 3, 3A,<br>3B, 3C, 3D, 3E, 3F, 3G,<br>3H) | E,F,H<br>,Q,R,<br>T,U,W<br>,X,AA<br>,AC<br>AD,AG<br>,AH,A<br>L,AM,<br>AS-AV<br>,AX<br>AZ,BC<br>,BD,B<br>G,BH,<br>BL,BM<br>,BQ<br>BR,BU<br>,BV,B<br>Y,BZ | 1            |
| -160A        | 315T3324-6 |                     | .STRAP-SPLICE<br>(USED ON ITEM 3J)                                       | BU,BV<br>,BY,B<br>Z   | 1            |
| -160B        | 315T3324-6 |                     | .STRAP-SPLICE  | CH-CK<br>,DA-<br>DC,DU<br>,DV   | 1            |

71-11-56

ILLUSTRATED PARTS LIST  
01.1 Page 1052C  
Nov 01/04



| FIG. & ITEM | PART NO.    | AIRLINE PART NUMBER | NOMENCLATURE<br>1234567                                    | EFF CODE  | QTY PER ASSY |
|-------------|-------------|---------------------|--|---|--------------|
| 05-165      | 315T4300-3  |                     | .SHIM  | A-F,<br>H-N,Q<br>,R,<br>T-AA,<br>AC-CC<br>CH-CK<br>,CT-C<br>V,D<br>A-DC | AR           |
| 170         | 315T4300-4  |                     | .SHIM  | A-F,<br>H-N,Q<br>,R,<br>T-AA,<br>AC-CC<br>CH-CK<br>,CT-C<br>V,D<br>A-DC | AR           |
| 175         | 315T4303-1  |                     | .FITTING ASSY-HINGE  | A   | 1            |
| -175A       | 315T4303-5  |                     | .FITTING ASSY-HINGE<br>(LIMITED)<br>(USED ON ITEMS 1C, 1E) | L,V,Y<br>,Z,A<br>N-AR,<br>AW,AY<br>,BA,B<br>E                           | 1            |
| -175B       | 315T4303-9  |                     | DELETED  |   |              |
| -175C       | 315T4303-13 |                     | .FITTING ASSY-HINGE<br>(LIMITED)<br>(USED ON ITEMS 1C, 1E) | L,V,Y<br>,Z,A<br>N-AR,<br>AW,AY<br>,BA,B<br>E                           | 1            |

# 71-11-56

 ILLUSTRATED PARTS LIST  
 01.1 Page 1052D  
 Nov 01/04

 **BOEING**  
COMPONENT  
MAINTENANCE MANUAL

| FIG. & ITEM  | PART NO.    | AIRLINE PART NUMBER | NOMENCLATURE<br>1234567  | EFF CODE  | QTY PER ASSY |
|--------------|-------------|---------------------|--|---|--------------|
| 05-<br>-175D | 315T4303-17 |                     | .FITTING ASSY-HINGE<br>(LIMITED)<br>(USED ON ITEMS 1F, 1G)   | BA, BB<br>, BE, B<br>F, BJ,<br>BK, BN<br>, BP<br>BS, BT<br>, BW, B<br>X | 1            |
| -175E        | 315T4303-23 |                     | .FITTING ASSY-HINGE<br>(LIMITED)<br>(USED ON ITEMS 1F, 1G)   | BA, BB<br>, BE, B<br>F, BJ,<br>BK, BN<br>, BP<br>BS, BT<br>, BW, B<br>X | 1            |
| -175F        | 315T4305-1  |                     | .FITTING ASSY-HINGE<br>(LIMITED)<br>(USED ON ITEMS 1F, 1G)   | BA, BB<br>, BE, B<br>F, BJ,<br>BK, BN<br>, BP<br>BS, BT<br>, BW, B<br>X | 1            |
| -175G        | 315T4303-25 |                     | .FITTING ASSY-HINGE<br>(LIMITED)<br>(ITEMS 175J AND 180H OPT<br>AS A PAIR PER ENGINE TO<br>ITEMS 175G AND 180G)<br>(ITEMS 175L AND 180K OPT<br>AS A PAIR PER ENGINE TO<br>ITEMS 175G AND 180G)<br>(ITEMS 175M AND 180L OPT<br>AS A PAIR PER ENGINE TO<br>ITEMS 175G AND 180G)<br>(OPT ITEM 175K)<br>(USED ON ITEMS 1F, 1G) | BA, BB<br>, BE, B<br>F, BJ,<br>BK, BN<br>, BP<br>BS, BT<br>, BW, B<br>X | 1            |
| -175H        | 315T4303-29 |                     | .FITTING ASSY-HINGE<br>(LIMITED)<br>(USED ON ITEMS 1F, 1G)   | BA, BB<br>, BE, B<br>F, BJ,<br>BK, BN<br>, BP<br>BS, BT<br>, BW, B<br>X | 1            |

71-11-56

ILLUSTRATED PARTS LIST  
01.1 Page 1052E  
Nov 01/04

| FIG. & ITEM  | PART NO.    | AIRLINE PART NUMBER | NOMENCLATURE<br>1234567   | EFF CODE  | QTY PER ASSY |
|--------------|-------------|---------------------|---|---|--------------|
| 05-<br>-175J | 315T4305-5  |                     | .FITTING ASSY-HINGE<br>(LIMITED)<br>(ITEMS 175J AND 180H OPT<br>AS A PAIR PER ENGINE TO<br>ITEMS 175G AND 180G)<br>(USED ON ITEMS 1F, 1G) | BA, BB<br>, BE, B<br>F, BJ,<br>BK, BN<br>, BP<br>BS, BT<br>, BW, B<br>X | 1            |
| -175K        | 315T4303-33 |                     | .FITTING ASSY-HINGE<br>(REWORK)<br>(LIMITED)<br>(OPT ITEM 175G)<br>(USED ON ITEMS 1F, 1G)   | BA, BB<br>, BE, B<br>F, BJ,<br>BK, BN<br>, BP<br>BS, BT<br>, BW, B<br>X | 1            |
| -175L        | 315T4305-11 |                     | .FITTING ASSY-HINGE<br>(LIMITED)<br>(ITEMS 175L AND 180K OPT<br>AS A PAIR PER ENGINE TO<br>ITEMS 175G AND 180G)<br>(USED ON ITEMS 1F, 1G) | BA, BB<br>, BE, B<br>F, BJ,<br>BK, BN<br>, BP<br>BS, BT<br>, BW, B<br>X | 1            |
| -175M        | 315T4305-15 |                     | .FITTING ASSY-HINGE<br>(LIMITED)<br>(ITEMS 175M AND 180L OPT<br>AS A PAIR PR ENGINE TO<br>ITEMS 175G AND 180G)<br>(USED ON ITEMS 1F, 1G)  | BA, BB<br>, BE, B<br>F, BJ,<br>BK, BN<br>, BP<br>BS, BT<br>, BW, B<br>X | 1            |
| -175N        | 315T4305-15 |                     | .FITTING ASSY-HINGE<br>(USED ON ITEM 1J)  | BS, BT<br>, BW, B<br>X  | 1            |
| -175P        | 315T4305-5  |                     | .FITTING ASSY-HINGE<br>(USED ON ITEMS 1A, 1B,<br>1D, 1H)  | B-D, J<br>, K, M,<br>N, AE,<br>AF, AJ<br>, AK<br>AW, AY                 | 1            |
| -175Q        | 315T4305-15 |                     | .FITTING ASSY-HINGE   | CA-CC<br>, CT-C<br>V, DS,<br>DT   | 1            |

# 71-11-56

 ILLUSTRATED PARTS LIST  
 01.1 Page 1052F  
 Nov 01/04

 **BOEING**  
COMPONENT  
MAINTENANCE MANUAL

| FIG. & ITEM | PART NO.    | AIRLINE PART NUMBER | NOMENCLATURE<br>1234567                                    | EFF CODE   | QTY PER ASSY |
|-------------|-------------|---------------------|--|--|--------------|
| 05-         |             |                     |  |  |              |
| -180        | 315T4303-2  |                     | .FITTING ASSY-HINGE  | E  | 1            |
| -180A       | 315T4303-6  |                     | .FITTING ASSY-HINGE<br>(LIMITED)<br>(USED ON ITEMS 3C, 3E) | W,X,A<br>C,AD,<br>AS-AV<br>,AX,A<br>Z,BC<br>BD,BG<br>,BH       | 1            |
| -180B       | 315T4303-10 |                     | DELETED  |  |              |
| -180C       | 315T4303-14 |                     | .FITTING ASSY-HINGE<br>(LIMITED)<br>(USED ON ITEMS 3C, 3E) | W,X,A<br>C,AD,<br>AS-AV<br>,AX,A<br>Z,BC<br>BD,BG<br>,BH       | 1            |
| -180D       | 315T4303-18 |                     | .FITTING ASSY-HINGE<br>(LIMITED)<br>(USED ON ITEMS 3F, 3G) | BC,BD<br>,BG,B<br>H,BL,<br>BM,BQ<br>,BR<br>BU,BV<br>,BY,B<br>Z | 1            |
| -180E       | 315T4303-24 |                     | .FITTING ASSY-HINGE<br>(LIMITED)<br>(USED ON ITEMS 3F, 3G) | BC,BD<br>,BG,B<br>H,BL,<br>BM,BQ<br>,BR<br>BU,BV<br>,BY,B<br>Z | 1            |
| -180F       | 315T4305-2  |                     | .FITTING ASSY-HINGE<br>(LIMITED)<br>(USED ON ITEMS 3F, 3G) | BC,BD<br>,BG,B<br>H,BL,<br>BM,BQ<br>,BR<br>BU,BV<br>,BY,B<br>Z | 1            |

71-11-56

ILLUSTRATED PARTS LIST  
01.1 Page 1052G  
Nov 01/04

| FIG. & ITEM  | PART NO.    | AIRLINE PART NUMBER | NOMENCLATURE<br>1234567  | EFF CODE   | QTY PER ASSY |
|--------------|-------------|---------------------|--|--|--------------|
| 05-<br>-180G | 315T4303-30 |                     | .FITTING ASSY-HINGE<br>(LIMITED)<br>(ITEMS 175J AND 180H OPT<br>AS A PAIR PER ENGINE TO<br>ITEMS 175G AND 180G)<br>(ITEMS 175L AND 180K OPT<br>AS A PAIR PER ENGINE TO<br>ITEMS 175G AND 180G)<br>(ITEMS 175M AND 180L OPT<br>AS A PAIR PER ENGINE TO<br>ITEMS 175G AND 180G)<br>(OPT ITEM 180J)<br>(USED ON ITEMS 3F, 3G) | BC,BD<br>,BG,B<br>H,BL,<br>BM,BQ<br>,BR<br>BU,BV<br>,BY,B<br>Z | 1            |
| -180H        | 315T4305-6  |                     | .FITTING ASSY-HINGE<br>(LIMITED)<br>(ITEMS 175J AND 180H OPT<br>AS A PAIR PER ENGINE TO<br>ITEMS 175G AND 180G)<br>(USED ON ITEMS 3F, 3G)  | BC,BD<br>,BG,B<br>H,BL,<br>BM,BQ<br>,BR<br>BU,BV<br>,BY,B<br>Z | 1            |
| -180J        | 315T4303-34 |                     | .FITTING ASSY-HINGE<br>(REWORK)<br>(LIMITED)<br>(OPT ITEM 180G)<br>(USED ON ITEMS 3F, 3G)  | BC,BD<br>,BG,B<br>H,BL,<br>BM,BQ<br>,BR<br>BU,BV<br>,BY,B<br>Z | 1            |
| -180K        | 315T4305-12 |                     | .FITTING ASSY-HINGE<br>(LIMITED)<br>(ITEMS 175L AND 180K OPT<br>AS A PAIR PER ENGINE TO<br>ITEMS 175G AND 180G)<br>(USED ON ITEMS 3F, 3G)  | BC,BD<br>,BG,B<br>H,BL,<br>BM,BQ<br>,BR<br>BU,BV<br>,BY,B<br>Z | 1            |
| -180L        | 315T4305-16 |                     | .FITTING ASSY-HINGE<br>(LIMITED)<br>(ITEMS 175M AND 180L OPT<br>AS A PAIR PER ENGINE TO<br>ITEMS 175G AND 180G)<br>(USED ON ITEMS 3F, 3G)  | BC,BD<br>,BG,B<br>H,BL,<br>BM,BQ<br>,BR<br>BU,BV<br>,BY,B<br>Z | 1            |

# 71-11-56

 ILLUSTRATED PARTS LIST  
 01.1 Page 1052H  
 Nov 01/04

**BOEING**  
COMPONENT  
MAINTENANCE MANUAL

| FIG. & ITEM  | PART NO.    | AIRLINE PART NUMBER | NOMENCLATURE<br>1234567                                 | EFF CODE  | QTY PER ASSY |
|--------------|-------------|---------------------|---|---|--------------|
| 05-<br>-180M | 315T4305-16 |                     | .FITTING ASSY-HINGE<br>(USED ON ITEM 3J)                | BU,BV<br>,BY,B<br>Z   | 1            |
| -180N        | 315T4305-6  |                     | .FITTING ASSY-HINGE<br>(USED ON ITEM 3A, 3B,<br>3D, 3H) | F,H,Q<br>,R,T,<br>U,AA,<br>AG,AH<br>,AL<br>AM,AX<br>,AZ                         | 1            |
| -180P        | 315T4305-16 |                     | .FITTING ASSY-HINGE                                     | CH-CK<br>,DA-<br>DC,DU<br>,DV   | 1            |
| 185          | 315T1313-4  |                     | ..BUSHING   | A-F,<br>H-N,Q<br>,R,<br>T-AA,<br>AC-CC<br>CH-CK<br>,CT-C<br>V,D                 | 2            |
| 190          | 315T1313-5  |                     | ..BUSHING   | A-DC<br>A-F,<br>H-N,Q<br>,R,<br>T-AA,<br>AC-CC<br>CH-CK<br>,CT-C<br>V,D         | 2            |
| 195          | 315T3315-1  |                     | ..BUSHING   | A-DC<br>A-F,<br>H-N,Q<br>,R,<br>T-AA,<br>AC-CC<br>CH-CK<br>,CT-C<br>V,D<br>A-DC | 2            |

**71-11-56**

ILLUSTRATED PARTS LIST  
01.1 Page 1052I  
Nov 01/04

| FIG. & ITEM | PART NO.    | AIRLINE PART NUMBER | NOMENCLATURE<br>1234567                     | EFF CODE   | QTY PER ASSY |
|-------------|-------------|---------------------|---|--|--------------|
| 05-200      | 315T4303-3  |                     | ..FITTING                                   | A  | 1            |
| -200A       | 315T4303-7  |                     | ..FITTING-<br>(USED ON ITEMS 175A,<br>175P) | B-D,<br>J-N,V<br>,Y,Z,<br>AE,AF<br>,AJ,A<br>K<br>AN-AR<br>,AW,A<br>Y,BA,<br>BE | 1            |
| -200B       | 315T4303-11 |                     | DELETED                                     |  |              |
| -200C       | 315T4303-15 |                     | ..FITTING-<br>(USED ON ITEM 175C)           | L,V,Y<br>,Z,A<br>N-AR,<br>AW,AY<br>,BA,B<br>E                                  | 1            |
| -200D       | 315T4303-19 |                     | ..FITTING-<br>(USED ON ITEMS 175D,<br>175K) | BA,BB<br>,BE,B<br>F,BJ,<br>BK,BN<br>,BP<br>BS,BT<br>,BW,B<br>X                 | 1            |
| -200E       | 315T4303-21 |                     | ..FITTING-<br>(USED ON ITEM 175E)           | BA,BB<br>,BE,B<br>F,BJ,<br>BK,BN<br>,BP<br>BS,BT<br>,BW,B<br>X                 | 1            |
| -200F       | 315T4305-3  |                     | ..FITTING-<br>(USED ON ITEM 175F)           | BA,BB<br>,BE,B<br>F,BJ,<br>BK,BN<br>,BP<br>BS,BT<br>,BW,B<br>X                 | 1            |

# 71-11-56

 ILLUSTRATED PARTS LIST  
 01.1 Page 1052J  
 Nov 01/04

**BOEING**  
COMPONENT  
MAINTENANCE MANUAL

| FIG. & ITEM  | PART NO.    | AIRLINE PART NUMBER | NOMENCLATURE<br>1234567                           | EFF CODE   | QTY PER ASSY |
|--------------|-------------|---------------------|---|--|--------------|
| 05-<br>-200G | 315T4303-27 |                     | ..FITTING-<br>(USED ON ITEM 175G)                 | BA, BB<br>, BE, B<br>F, BJ,<br>BK, BN<br>, BP<br>BS, BT<br>, BW, B<br>X                                | 1            |
| -200H        | 315T4303-31 |                     | ..FITTING-<br>(USED ON ITEM 175H)                 | BA, BB<br>, BE, B<br>F, BJ,<br>BK, BN<br>, BP<br>BS, BT<br>, BW, B<br>X                                | 1            |
| -200J        | 315T4305-9  |                     | ..FITTING-<br>(USED ON ITEM 175J)                 | BA, BB<br>, BE, B<br>F, BJ,<br>BK, BN<br>, BP<br>BS, BT<br>, BW, B<br>X                                | 1            |
| -200K        | 315T4305-13 |                     | ..FITTING-<br>(USED ON ITEM 175L)                 | BA, BB<br>, BE, B<br>F, BJ,<br>BK, BN<br>, BP<br>BS, BT<br>, BW, B<br>X                                | 1            |
| -200L        | 315T4305-17 |                     | ..FITTING-<br>(USED ON ITEMS 175M,<br>175N, 175Q) | BA, BB<br>, BE, B<br>F, BJ,<br>BK, BN<br>, BP<br>BS, BT<br>, BW, B<br>X, C<br>A-CC,<br>CT-CV<br>DS, DT | 1            |

**71-11-56**

ILLUSTRATED PARTS LIST  
01.1 Page 1052K  
Nov 01/04



| FIG. & ITEM | PART NO.    | AIRLINE PART NUMBER | NOMENCLATURE<br>1234567                     | EFF CODE  | QTY PER ASSY |
|-------------|-------------|---------------------|---|---|--------------|
| 05-         |             |                     |   |   |              |
| -205        | 315T4303-4  |                     | ..FITTING                                   | E   | 1            |
| -205A       | 315T4303-8  |                     | ..FITTING-<br>(USED ON ITEMS 180A,<br>180N) | E,F,H<br>,Q,R,<br>,T,U,W<br>,X,AA<br>,AC<br>AD,AG<br>,AH,A<br>L,AM,<br>AS-AU<br>,AX<br>AZ,BC<br>,BG                 | 1            |
| -205B       | 315T4303-12 |                     | DELETED                                     |   |              |
| -205C       | 315T4303-16 |                     | ..FITTING-<br>(USED ON ITEM 180C)           | W,X,A<br>C,AD,<br>AS-AV<br>,AX,A<br>Z,BC<br>BG,BH<br>BC,BD<br>,BG,B<br>H,BL,<br>BM,BQ<br>,BR<br>BU,BV<br>,BY,B<br>Z | 1            |
| -205D       | 315T4303-20 |                     | ..FITTING-<br>(USED ON ITEMS 180D,<br>180J) | BC,BD<br>,BG,B<br>H,BL,<br>BM,BQ<br>,BR<br>BU,BV<br>,BY,B<br>Z  | 1            |
| -205E       | 315T4303-22 |                     | ..FITTING-<br>(USED ON ITEM 180E)           | BC,BD<br>,BG,B<br>H,BL,<br>BM,BQ<br>,BR<br>BU,BV<br>,BY,B<br>Z  | 1            |

# 71-11-56

 ILLUSTRATED PARTS LIST  
 01.1 Page 1052L  
 Nov 01/04

 **BOEING**  
COMPONENT  
MAINTENANCE MANUAL

| FIG. & ITEM  | PART NO.    | AIRLINE PART NUMBER | NOMENCLATURE<br>1234567                | EFF CODE   | QTY PER ASSY |
|--------------|-------------|---------------------|--|--|--------------|
| 05-<br>-205F | 315T4305-4  |                     | ..FITTING-<br>(USED ON ITEM 180F)      | BC,BD<br>,BG,B<br>H,BL,<br>BM,BQ<br>,BR<br>BU,BV<br>,BY,B<br>Z | 1            |
| -205G        | 315T4303-32 |                     | ..FITTING-<br>(USED ON ITEM 180G)      | BC,BD<br>,BG,B<br>H,BL,<br>BM,BQ<br>,BR<br>BU,BV<br>,BY,B<br>Z | 1            |
| -205H        | 315T4305-6  |                     | ..FITTING ASSY-<br>(USED ON ITEM 180H) | BC,BD<br>,BG,B<br>H,BL,<br>BM,BQ<br>,BR<br>BU,BV<br>,BY,B<br>Z | 1            |
| -205J        | 315T4305-14 |                     | ..FITTING ASSY-<br>(USED ON ITEM 180K) | BC,BD<br>,BG,B<br>H,BL,<br>BM,BQ<br>,BR<br>BU,BV<br>,BY,B<br>Z | 1            |

**71-11-56**

ILLUSTRATED PARTS LIST  
01.1 Page 1052M  
Nov 01/04

| FIG. & ITEM  | PART NO.                   | AIRLINE PART NUMBER | NOMENCLATURE<br>1234567  | EFF CODE  | QTY PER ASSY |
|--------------|----------------------------|---------------------|--|---|--------------|
| 05-<br>-205K | 315T4305-18                |                     | ..FITTING-<br>(USED ON ITEMS 180L,<br>180M, 180P)                        | BC,BD<br>,BG,B<br>H,BL,<br>BM,BQ<br>,BR<br>BU,BV<br>,BY,B<br>Z,C<br>H-CK,<br>DA-DC<br>DU,DV       | 1            |
| 210<br>-210A | 315T3415-10<br>315T3415-18 |                     | .LINER-TRACK<br>.LINER-TRACK<br>(USED ON ITEMS 1A, 1B,<br>1D, 1H)        | A<br>B-D,J<br>,K,M,<br>N,AE,<br>AF,AJ<br>,AK<br>AW,AY   | 1<br>1       |
| -210B        | 315T3415-18                |                     | .LINER-TRACK<br>(OPT ITEM 210C)<br>(USED ON ITEMS 1C, 1E,<br>1F, 1G, 1J) | L,V,Y<br>,Z,A<br>N-AR,<br>AW,AY<br>,BA,B<br>B<br>BE,BF<br>,BJ,B<br>K,BN,<br>BP,BS<br>,BT<br>BW,BX | 1            |

# 71-11-56

 ILLUSTRATED PARTS LIST  
 01.1 Page 1052N  
 Nov 01/04

**BOEING**  
COMPONENT  
MAINTENANCE MANUAL

| FIG. & ITEM   | PART NO.                   | AIRLINE PART NUMBER | NOMENCLATURE<br>1234567  | EFF CODE   | QTY PER ASSY |
|---------------|----------------------------|---------------------|--|--|--------------|
| 05-<br>-210C  | 315T3415-28                |                     | .LINER-TRACK<br>(OPT ITEM 210B)<br>(USED ON ITEMS 1C, 1E,<br>1F, 1G, 1J) | L,V,Y<br>,Z,A<br>N-AR,<br>AW,AY<br>,BA,B<br>B<br>BE,BF<br>,BJ,B<br>K,BN,<br>BP,BS<br>,BT<br>BW,BX<br>CA-CC<br>,CT-C<br>V,DS,<br>DT<br>CA-CC<br>,CT-C<br>V,DS,<br>DT<br>E<br>F,H,Q<br>,R,T,<br>U,AA,<br>AG,AH<br>,AL<br>AM,AX<br>,AZ<br>W,X,A<br>C,AD,<br>AS-AV<br>,AX,A<br>Z,BC<br>BD,BG<br>,BH,B<br>L,BM,<br>BQ,BR<br>,BU<br>BV,BY<br>,BZ | 1            |
| -210D         | 315T3415-18                |                     | .LINER-TRACK<br>(OPT ITEM 210E)  | CA-CC<br>,CT-C<br>V,DS,<br>DT  | 1            |
| -210E         | 315T3415-28                |                     | .LINER-TRACK<br>(OPT ITEM 210D)  | CA-CC<br>,CT-C<br>V,DS,<br>DT  | 1            |
| -215<br>-215A | 315T3415-11<br>315T3415-19 |                     | .LINER-TRACK<br>.LINER-TRACK<br>(USED ON ITEMS 3A, 3B,<br>3D, 3H)        | E<br>F,H,Q<br>,R,T,<br>U,AA,<br>AG,AH<br>,AL<br>AM,AX<br>,AZ   | 1<br>1       |
| -215B         | 315T3415-19                |                     | .LINER-TRACK<br>(OPT ITEM 215C)<br>(USED ON ITEMS 3C, 3E,<br>3F, 3G, 3J) | W,X,A<br>C,AD,<br>AS-AV<br>,AX,A<br>Z,BC<br>BD,BG<br>,BH,B<br>L,BM,<br>BQ,BR<br>,BU<br>BV,BY<br>,BZ  | 1            |

71-11-56

ILLUSTRATED PARTS LIST  
01.1 Page 10520  
Nov 01/04

| FIG. & ITEM  | PART NO.    | AIRLINE PART NUMBER | NOMENCLATURE<br>1234567  | EFF CODE  | QTY PER ASSY |
|--------------|-------------|---------------------|--|---|--------------|
| 05-<br>-215C | 315T3415-27 |                     | .LINER-TRACK<br>(OPT ITEM 215B)<br>(USED ON ITEMS 3C, 3E,<br>3F, 3G, 3J) | W,X,A<br>C,AD,<br>AS-AV<br>,AX,A<br>Z,BC<br>BD,BG<br>,BH,B<br>L,BM,<br>BQ,BR<br>,BU<br>BV,BY<br>,BZ | 1            |
| -215D        | 315T3415-19 |                     | .LINER-TRACK<br>(OPT ITEM 215E)  | CH-CK<br>,DA-<br>DC,DU<br>,DV   | 1            |
| -215E        | 315T3415-27 |                     | .LINER-TRACK<br>(OPT ITEM 215D)  | CH-CK<br>,DA-<br>DC,DU<br>,DV   | 1            |
| 220          | 315T4301-1  |                     | DELETED  | A   | 1            |
| 220A         | 315T4301-15 |                     | .PANEL ASSY-ACOUSTIC WALL  | K,N,A   | 1            |
| -220B        | 315T4301-43 |                     | .PANEL ASSY-ACOUSTIC WALL<br>(USED ON ITEMS 1B, 1H)                      | W,AY  |              |
| -220C        | 315U4009-17 |                     | .PANEL ASSY-ACOUSTIC WALL<br>(USED ON ITEMS 1A, 1D)                      | B-D,J<br>,M,AE<br>,AF,A<br>J,AK,<br>AW,AY   | 1            |

# 71-11-56

 ILLUSTRATED PARTS LIST  
 01.1 Page 1052P  
 Nov 01/04

 **BOEING**  
COMPONENT  
MAINTENANCE MANUAL

| FIG. & ITEM  | PART NO.    | AIRLINE PART NUMBER | NOMENCLATURE<br>1234567   | EFF CODE  | QTY PER ASSY |
|--------------|-------------|---------------------|---|---|--------------|
| 05-<br>-220D | 315T4301-47 |                     | .PANEL ASSY-ACOUSTIC WALL<br>(USED ON ITEMS 1C, 1E,<br>1F, 1G, 1J)  | L,V,Y<br>,Z,A<br>N-AR,<br>AW,AY<br>,BA<br>BB,BE<br>,BF,B<br>J,BK,<br>BN,BP<br>,BS<br>BT,BW<br>,BX | 1            |
| -220E        | 315T4301-59 |                     | .PANEL ASSY-ACOUSTIC WALL   | CA-CC<br>,CT-C<br>V   | 1            |
| -220F        | 315T4301-59 |                     | .PANEL ASSY-ACOUSTIC WALL<br>(NHA 315T4295, REF<br>COLLECTOR CMM 78-31-47)<br>(NHA 315U4295, REF<br>COLLECTOR CMM 78-31-48) | DS,DT   | 1            |
| -220G        | 315T4301-63 |                     | .PANEL ASSY-ACOUSTIC WALL<br>(NHA 315U4295, REF<br>COLLECTOR CMM 78-31-48)  | DT  | 1            |
| -220H        | 315T4301-65 |                     | .PANEL ASSY-ACOUSTIC WALL<br>(NHA 315U4295, REF<br>COLLECTOR CMM 78-31-48)  | DT  | 1            |
| -220J        | 315T4301-67 |                     | .PANEL ASSY-ACOUSTIC WALL<br>(NHA 315U4295, REF<br>COLLECTOR CMM 78-31-48)  | DT  | 1            |
| -220K        | 315T4301-69 |                     | .PANEL ASSY-ACOUSTIC WALL<br>(NHA 315U4295, REF<br>COLLECTOR CMM 78-31-48)  | DT  | 1            |
| -220L        | 315T4301-71 |                     | .PANEL ASSY-ACOUSTIC WALL<br>(NHA 315T4295, REF<br>COLLECTOR CMM 78-31-47)  | DS  | 1            |

71-11-56

ILLUSTRATED PARTS LIST  
01.1 Page 1052Q  
Nov 01/04

| FIG. & ITEM  | PART NO.    | AIRLINE PART NUMBER | NOMENCLATURE<br>1234567   | EFF CODE  | QTY PER ASSY |
|--------------|-------------|---------------------|---|---|--------------|
| 05-<br>-220M | 315T4301-73 |                     | .PANEL ASSY-ACOUSTIC WALL<br>(NHA 315T4295, REF<br>COLLECTOR CMM 78-31-47)  | DS  | 1            |
| -225         | 315T4301-2  |                     | DELETED   |   |              |
| -225A        | 315T4301-16 |                     | .PANEL ASSY-ACOUSTIC WALL   | E   | 1            |
| -225B        | 315T4301-44 |                     | .PANEL ASSY-ACOUSTIC WALL<br>(USED ON ITEMS 3B, 3H)   | R,U,A<br>X,AZ   | 1            |
| -225C        | 315U4009-18 |                     | .PANEL ASSY-ACOUSTIC WALL<br>(USED ON ITEMS 3A, 3D)   | F,H,Q<br>,T,AA<br>,AG,A<br>H,AL,<br>AM,AX<br>AZ   | 1            |
| -225D        | 315T4301-48 |                     | .PANEL ASSY-ACOUSTIC WALL<br>(USED ON ITEMS 3C, 3E,<br>3F, 3G, 3J)  | W,X,A<br>C,AD,<br>AS-AV<br>,AX,A<br>Z,BC<br>BD,BG<br>,BH,B<br>L,BM,<br>BQ,BR<br>BU,BV<br>,BY,B<br>Z | 1            |
| -225E        | 315T4301-60 |                     | .PANEL ASSY-ACOUSTIC WALL   | CH-CK<br>,DA-<br>DC   | 1            |
| -225F        | 315T4301-60 |                     | .PANEL ASSY-ACOUSTIC WALL<br>(NHA 315T4295, REF<br>COLLECTOR CMM 78-31-47)<br>(NHA 315U4295, REF<br>COLLECTOR CMM 78-31-48) | DU,DV   | 1            |
| -225G        | 315T4301-64 |                     | .PANEL ASSY-ACOUSTIC WALL<br>(NHA 315U4295, REF<br>COLLECTOR CMM 78-31-48)  | DV  | 1            |
| -225H        | 315T4301-66 |                     | .PANEL ASSY-ACOUSTIC WALL<br>(NHA 315U4295, REF<br>COLLECTOR CMM 78-31-48)  | DV  | 1            |
| -225J        | 315T4301-68 |                     | .PANEL ASSY-ACOUSTIC WALL<br>(NHA 315U4295, REF<br>COLLECTOR CMM 78-31-48)  | DV  | 1            |
| -225K        | 315T4301-70 |                     | .PANEL ASSY-ACOUSTIC WALL<br>(NHA 315U4295, REF<br>COLLECTOR CMM 78-31-48)  | DV  | 1            |

# 71-11-56

 ILLUSTRATED PARTS LIST  
 01.1 Page 1052R  
 Nov 01/04

| FIG. & ITEM  | PART NO.    | AIRLINE PART NUMBER | NOMENCLATURE<br>1234567  | EFF CODE  | QTY PER ASSY |
|--------------|-------------|---------------------|--|---|--------------|
| 05-<br>-225L | 315T4301-72 |                     | .PANEL ASSY-ACOUSTIC WALL<br>(NHA 315T4295, REF<br>COLLECTOR CMM 78-31-47) | DU  | 1            |
| -225M        | 315T4301-74 |                     | .PANEL ASSY-ACOUSTIC WALL<br>(NHA 315T4295, REF<br>COLLECTOR CMM 78-31-47) | DU  | 1            |
| 230          | BACR15BB3AD |                     | ..RIVET-<br>(SIZE DETERMINE ON INST)                                       | A-F,<br>H-N,Q<br>,R,<br>T-AA,<br>AC-CC<br>CH-CK<br>,CT-C<br>V,D<br>A-DC,<br>DS-DV | 13           |
| 235          | 315T3301-45 |                     | ..RETAINER   | A-F,<br>H-N,Q<br>,R,<br>T-AA,<br>AC-CC<br>CH-CK<br>,CT-C<br>V,D<br>A-DC,<br>DS-DV | 1            |
| 240          | 315T3301-60 |                     | ..RETAINER   | A-F,<br>H-N,Q<br>,R,<br>T-AA,<br>AC-CC<br>CH-CK<br>,CT-C<br>V,D<br>A-DC,<br>DS-DV | 1            |

71-11-56



| FIG. & ITEM | PART NO.    | AIRLINE PART NUMBER | NOMENCLATURE<br>1234567   | EFF CODE   | QTY PER ASSY |
|-------------|-------------|---------------------|---|--|--------------|
| 05-245      | HL11VAZ5-19 |                     | ..BOLT-<br>(V60516)<br>(SPEC BACB30NW5K19)<br>(OPT B30NW5K19<br>(V97928))<br>(OPT HL11VAZ5-19<br>(V73197))<br>(OPT HL11VAZ5-19<br>(V92215))<br>(OPT HL11VAZ5-19<br>(V97928))<br>(OPT L803-5K19<br>(V06725))<br>(OPT HL11VAZ5-19<br>(V0PTK6))<br>(OPT HL11VAZ5-19<br>(V56878)) | A-D,<br>J-N,V<br>,Y,Z,<br>AE,AF<br>,AJ,A<br>K<br>AN-AR<br>,AW,A<br>Y,BA,<br>BB,BE<br>,BF<br>BJ,BK<br>,BN,B<br>P,BS,<br>BT,BW<br>,BX<br>CA-CC<br>,CT-C<br>V,DS,<br>DT | 6            |
| 250         | HL70-5      |                     | ..COLLAR-<br>(V5M902)<br>(SPEC BACC30M5)<br>(OPT HL70-5<br>(V73197))<br>(OPT HL70-5<br>(V92215))<br>(OPT 66014-5<br>(V56878))<br>(OPT HL70-5<br>(V56878))   | A-D,<br>J-N,V<br>,Y,Z,<br>AE,AF<br>,AJ,A<br>K<br>AN-AR<br>,AW,A<br>Y,BA,<br>BB,BE<br>,BF<br>BJ,BK<br>,BN,B<br>P,BS,<br>BT,BW<br>,BX<br>CA-CC<br>,CT-C<br>V,DS,<br>DT | 6            |

# 71-11-56

 ILLUSTRATED PARTS LIST  
 01.1 Page 1052T  
 Nov 01/04

| FIG. & ITEM | PART NO.    | AIRLINE PART NUMBER | NOMENCLATURE<br>1234567               | EFF CODE   | QTY PER ASSY |
|-------------|-------------|---------------------|---------------------------------------|--|--------------|
| 05-255      | 315T3130-10 |                     | ..BRACKET ASSY                        | A-D,<br>J-N,V<br>,Y,Z,<br>AE,AF<br>,AJ,A<br>K<br>AN-AR<br>,AW,A<br>Y,BA,<br>BB,BE<br>,BF<br>BJ,BK<br>,BN,B<br>P,BS,<br>BT,BW<br>,BX<br>CA-CC<br>,CT-C<br>V,DS,<br>DT | 3            |
| 260         | BACR15CE3M  |                     | ...RIVET-<br>(SIZE DETERMINE ON INST) | A-D,<br>J-N,V<br>,Y,Z,<br>AE,AF<br>,AJ,A<br>K<br>AN-AR<br>,AW,A<br>Y,BA,<br>BB,BE<br>,BF<br>BJ,BK<br>,BN,B<br>P,BS,<br>BT,BW<br>,BX<br>CA-CC<br>,CT-C<br>V,DS,<br>DT | 2            |

**71-11-56**

ILLUSTRATED PARTS LIST  
01.1 Page 1052U  
Nov 01/04

| FIG. & ITEM | PART NO.   | AIRLINE PART NUMBER | NOMENCLATURE<br>1234567  | EFF CODE   | QTY PER ASSY |
|-------------|------------|---------------------|--|--|--------------|
| 05-265      | BRM100C3M  |                     | ...NUTPLATE-<br>(V52828)<br>(SPEC BACN10JP3BCM)<br>(OPT MK2001-3BAC<br>(V15653))<br>(OPT NS103198SE02<br>(V80539))<br>(OPT T8081C1032<br>(V11815))<br>(OPT VN201D1-02<br>(V92215))<br>(OPT 109A9207M3<br>(V72962)) | A-D,<br>J-N,V<br>,Y,Z,<br>AE,AF<br>,AJ,A<br>K<br>AN-AR<br>,AW,A<br>Y,BA,<br>BB,BE<br>,BF<br>BJ,BK<br>,BN,B<br>P,BS,<br>BT,BW<br>,BX<br>CA-CC<br>,CT-C<br>V,DS,<br>DT | 1            |
| 270         | 315T3130-9 |                     | ...BRACKET   | A-D,<br>J-N,V<br>,Y,Z,<br>AE,AF<br>,AJ,A<br>K<br>AN-AR<br>,AW,A<br>Y,BA,<br>BB,BE<br>,BF<br>BJ,BK<br>,BN,B<br>P,BS,<br>BT,BW<br>,BX<br>CA-CC<br>,CT-C<br>V,DS,<br>DT | 1            |

# 71-11-56

 ILLUSTRATED PARTS LIST  
 01.1 Page 1052V  
 Nov 01/04

| FIG. & ITEM        | PART NO.                      | AIRLINE PART NUMBER | NOMENCLATURE<br>1234567         | EFF CODE   | QTY PER ASSY |
|--------------------|-------------------------------|---------------------|---------------------------------|--|--------------|
| 05-<br>275<br>275A | ASPF PDT8-20<br>ASPF PDT08-20 |                     | DELETED<br>.PIN-<br>(V17446)    | A-F,<br>H-N,Q<br>,R,<br>T-AA,<br>AC-CC<br>CH-CK<br>,CT-C<br>,V,D<br>A-DC,<br>DS-DV | 1            |
| 280<br>280A        | ASPF SDT8<br>ASPF SDT08       |                     | DELETED<br>.SLEEVE-<br>(V17446) | A-F,<br>H-N,Q<br>,R,<br>T-AA,<br>AC-CC<br>CH-CK<br>,CT-C<br>,V,D<br>A-DC,<br>DS-DV | 1            |
| 285<br>285A        | ASPLC2AC8<br>ASPLC2AC08       |                     | DELETED<br>.COLLAR-<br>(V17446) | A-F,<br>H-N,Q<br>,R,<br>T-AA,<br>AC-CC<br>CH-CK<br>,CT-C<br>,V,D<br>A-DC,<br>DS-DV | 1            |

71-11-56

| FIG. & ITEM | PART NO.    | AIRLINE PART NUMBER | NOMENCLATURE<br>1234567   | EFF CODE  | QTY PER ASSY |
|-------------|-------------|---------------------|---|---|--------------|
| 05-290      | HL13VAZ8-20 |                     | .BOLT-<br>(V56878)<br>(SPEC BACB30NY8K20)<br>(OPT HL13VAZ8-20 (V73197))<br>(OPT HL13VAZ8-20 (V92215))<br>(OPT HL13VAZ8-20 (V97928))<br>(OPT L801-8K20 (V06725))<br>(OPT HL13VAZ8-20 (V08524))<br>(OPT HL13V20 (V06725))<br>(OPT HL13VAZ8-20 (V17446)) | A-F,<br>H-N,Q<br>,R,<br>T-AA,<br>AC-CC<br>CH-CK<br>,CT-C<br>V,D<br>A-DC,<br>DS-DV | 2            |
| 295         | HL13VAZ8-21 |                     | .BOLT-<br>(V56878)<br>(SPEC BACB30NY8K21)<br>(OPT HL13VAZ8-21 (V73197))<br>(OPT HL13VAZ8-21 (V92215))<br>(OPT HL13VAZ8-21 (V97928))<br>(OPT L801-8K21 (V06725))<br>(OPT HL13VAZ8-21 (V08524))<br>(OPT HL13V21 (V06725))<br>(OPT HL13VAZ8-21 (V17446)) | A-F,<br>H-N,Q<br>,R,<br>T-AA,<br>AC-CC<br>CH-CK<br>,CT-C<br>V,D<br>A-DC,<br>DS-DV | 2            |

# 71-11-56

 ILLUSTRATED PARTS LIST  
 01.1 Page 1052X  
 Nov 01/04

 **BOEING**  
COMPONENT  
MAINTENANCE MANUAL

| FIG. & ITEM | PART NO.     | AIRLINE PART NUMBER | NOMENCLATURE<br>1234567  | EFF CODE  | QTY PER ASSY |
|-------------|--------------|---------------------|--|---|--------------|
| 05-300      | HL79-8       |                     | .COLLAR-<br>(V5M902)<br>(SPEC BACC30M8)<br>(OPT HL79-8<br>(V73197))<br>(OPT HL79-8<br>(V92215))<br>(OPT 66014-8<br>(V56878))<br>(OPT HL79-8<br>(V56878))   | A-F,<br>H-N,Q<br>,R,<br>T-AA,<br>AC-CC<br>CH-CK<br>,CT-C<br>V,D<br>A-DC,<br>DS-DV | 4            |
| 305         | HL1012AZ8-23 |                     | .BOLT-<br>(VOPTK6)<br>(SPEC BACB30NX8K23)<br>(OPT HL12VAZ8-23<br>(V73197))<br>(OPT HL12VAZ8-23<br>(V92215))<br>(OPT HL12VAZ8-23<br>(V97928))<br>(OPT L802-8K23<br>(V06725))<br>(OPT HL12VAZ8-23<br>(V56878))<br>(OPT HL1012AZ8-23<br>(V06725))<br>(OPT HL1012AZ8-23<br>(V06950))<br>(OPT HL1012AZ8-23<br>(V17446))<br>(OPT HL1012AZ8-23<br>(V56878))<br>(OPT HL1012AZ8-23<br>(V60516))<br>(OPT HL1012AZ8-23<br>(V73197))<br>(OPT HL1012AZ8-23<br>(V97928)) | A-F,<br>H-N,Q<br>,R,<br>T-AA,<br>AC-CC<br>CH-CK<br>,CT-C<br>V,D<br>A-DC,<br>DS-DV | 2            |

**71-11-56**

ILLUSTRATED PARTS LIST  
01.1 Page 1052Y  
Nov 01/04

| FIG. & ITEM | PART NO.     | AIRLINE PART NUMBER | NOMENCLATURE<br>1234567  | EFF CODE  | QTY PER ASSY |
|-------------|--------------|---------------------|--|---|--------------|
| 05-310      | HL1012AZ8-25 |                     | .BOLT-<br>(VOPTK6)<br>(SPEC BACB30NX8K25)<br>(OPT HL12VAZ8-25 (V73197))<br>(OPT HL12VAZ8-25 (V92215))<br>(OPT HL12VAZ8-25 (V97928))<br>(OPT L802-8K25 (V06725))<br>(OPT HL12VAZ8-25 (V56878))<br>(OPT HL1012AZ8-25 (V06725))<br>(OPT HL1012AZ8-25 (V06950))<br>(OPT HL1012AZ8-25 (V17446))<br>(OPT HL1012AZ8-25 (V56878))<br>(OPT HL1012AZ8-25 (V60516))<br>(OPT HL1012AZ8-25 (V73197))<br>(OPT HL1012AZ8-25 (V97928)) | A-F,<br>H-N,Q<br>,R,<br>T-AA,<br>AC-CC<br>CH-CK<br>,CT-C<br>V,D<br>A-DC,<br>DS-DV | 1            |
| 315         | HL1187DU8    |                     | .COLLAR-<br>(V5M902)<br>(SPEC BACC30X8S)<br>(OPT HL87DU8 (V73197))<br>(OPT HL87DU8 (V92215))<br>(OPT HL1187DU8 (V56878))<br>(OPT HL1187DU8 (V92215))<br>(OPT HL87DU8 (V56878))<br>(OPT HL1187DU8 (V73197))   | A-F,<br>H-N,Q<br>,R,<br>T-AA,<br>AC-CC<br>CH-CK<br>,CT-C<br>V,D<br>A-DC,<br>DS-DV | 3            |

# 71-11-56

 ILLUSTRATED PARTS LIST  
 01.1 Page 1052Z  
 Nov 01/04

 **BOEING**  
COMPONENT  
MAINTENANCE MANUAL

| FIG. & ITEM | PART NO.     | AIRLINE PART NUMBER | NOMENCLATURE<br>1234567  | EFF CODE  | QTY PER ASSY |
|-------------|--------------|---------------------|--|---|--------------|
| 05-320      | BACB30MY6K23 |                     | .BOLT  | A-F,<br>H-N,Q<br>,R,<br>T-AA,<br>AC-CC<br>CH-CK<br>,CT-C<br>V,D<br>A-DC,<br>DS-DV | 2            |
| 325         | BACB30MY6K22 |                     | .BOLT  | A-F,<br>H-N,Q<br>,R,<br>T-AA,<br>AC-CC<br>CH-CK<br>,CT-C<br>V,D<br>A-DC,<br>DS-DV | 2            |
| 330         | HL79-6       |                     | .COLLAR-<br>(V5M902)<br>(SPEC BACC30M6)<br>(OPT HL79-6<br>(V73197))<br>(OPT HL79-6<br>(V92215))<br>(OPT 66014-6<br>(V56878))<br>(OPT HL79-6<br>(V56878)) | A-F,<br>H-N,Q<br>,R,<br>T-AA,<br>AC-CC<br>CH-CK<br>,CT-C<br>V,D<br>A-DC,<br>DS-DV | 4            |

**71-11-56**

ILLUSTRATED PARTS LIST  
01.1 Page 1053  
Nov 01/04



| FIG. & ITEM | PART NO.    | AIRLINE PART NUMBER | NOMENCLATURE | EFF CODE   | QTY PER ASSY |
|-------------|-------------|---------------------|--------------|--|--------------|
| 05-335      | 315T3300-21 |                     | . FILLER     | A-D,<br>J-N,V<br>,Y,Z,<br>AE,AF<br>,AJ,A<br>K<br>AN-AR<br>,AW,A<br>Y,BA,<br>BB,BE<br>,BF<br>BJ,BK<br>,BN,B<br>P,BS,<br>BT,BW<br>,BX<br>CA-CC<br>,CT-C<br>V,DS,<br>DT<br>E,F,H<br>,Q,R,<br>T,U,W<br>,X,AA<br>,AC<br>AD,AG<br>,AH,A<br>L,AM,<br>AS-AV<br>,AX<br>AZ,BC<br>,BD,B<br>G,BH,<br>BL,BM<br>,BQ<br>BR,BU<br>,BV,B<br>Y,BZ,<br>CH-CK<br>DA-DC<br>,DU,D<br>V | 1            |
| -340        | 315T3300-22 |                     | . FILLER     |  | 1            |

# 71-11-56

 ILLUSTRATED PARTS LIST  
 01.1 Page 1054  
 Nov 01/04

 **BOEING**  
COMPONENT  
MAINTENANCE MANUAL

| FIG. & ITEM        | PART NO.                       | AIRLINE PART NUMBER | NOMENCLATURE   | EFF CODE  | QTY PER ASSY |
|--------------------|--------------------------------|---------------------|--|---|--------------|
|                    |                                |                     | 1234567  |   |              |
| 05-<br>345<br>345A | BACS40R3BC49F<br>BACS40R38C49F |                     | DELETED<br>.SHIM   | A-F,<br>H-N,Q<br>,R,<br>T-AA,<br>AC-CC<br>CH-CK<br>,CT-C<br>V,D<br>A-DC,<br>DS-DV | 1            |
| 350                | 315T3300-12                    |                     | .SHIM-<br>(USED ON ITEMS 1, 1A,<br>1B, 1D, 1H, 3, 3A, 3B,<br>3D, 3H) | A-F,<br>H-K,M<br>,N,Q,<br>R,T,U<br>,AA<br>AE-AM<br>,AW-A<br>Z                     | 1            |
| 355                | BACS40R10C42F                  |                     | .SHIM  | A-F,<br>H-N,Q<br>,R,<br>T-AA,<br>AC-CC<br>CH-CK<br>,CT-C<br>V,D<br>A-DC,<br>DS-DV | 1            |

71-11-56

ILLUSTRATED PARTS LIST  
01.1 Page 1054A  
Nov 01/04

| FIG. & ITEM | PART NO.    | AIRLINE PART NUMBER | NOMENCLATURE<br>1234567   | EFF CODE   | QTY PER ASSY |
|-------------|-------------|---------------------|---|--|--------------|
| 05-360      | 315T3300-13 |                     | .SHIM-<br>(USED ON ITEMS 1, 1A, 1B, 1D, 1H, 3, 3A, 3B, 3D, 3H)                              | A-F,<br>H-K,M<br>,N,Q,<br>R,T,U<br>,AA<br>AE-AM<br>,AW-A<br>Z                  | 1            |
| 365         | 315T3308-33 |                     | .ATTACH ASSY-ACTR<br>(LIMITED)<br>(OPT ITEM 365C)<br>(USED ON ITEMS 1A, 1B, 1C, 1D, 1E, 1H) | B-D,<br>L-N,V<br>,Y,Z,<br>AE,AF<br>,AJ,A<br>K<br>AN-AR<br>,AW,A<br>Y,BA,<br>BE | 1            |
| -365A       | 315T3308-33 |                     | DELETED   |  |              |
| -365B       | 315T3308-39 |                     | DELETED   |  |              |
| -365C       | 315T3308-39 |                     | .ATTACH ASSY-ACTR<br>(LIMITED)<br>(OPT ITEM 365)<br>(USED ON ITEMS 1A, 1B, 1C, 1D, 1E, 1H)  | B-D,<br>L-N,V<br>,Y,Z,<br>AE,AF<br>,AJ,A<br>K<br>AN,AR<br>,AW,A<br>Y,BA,<br>BE | 1            |

# 71-11-56

 ILLUSTRATED PARTS LIST  
 01.1 Page 1054B  
 Nov 01/04

**BOEING**  
COMPONENT  
MAINTENANCE MANUAL

| FIG. & ITEM  | PART NO.    | AIRLINE PART NUMBER | NOMENCLATURE<br>1234567  | EFF CODE   | QTY PER ASSY |
|--------------|-------------|---------------------|--|--|--------------|
| 05-<br>-365D | 315T3308-43 |                     | .ATTACH ASSY-ACTR<br>(LIMITED)<br>(USED ON ITEMS 1C, 1E,<br>1J)                                | L,V,Y<br>,Z,A<br>N-AR,<br>AW,AY<br>,BA,B<br>E<br>BS,BT<br>,BW,B<br>X                                       | 1            |
| -365E        | 315T3308-43 |                     | .ATTACH ASSY-ACTR<br>(USED ON ITEMS 1F, 1G)  | BA,BB<br>,BE,B<br>F,BJ,<br>BK,BN<br>,BP<br>BS,BT<br>,BW,B<br>X   | 1            |
| -365F        | 315T3308-33 |                     | .ATTACH ASSY-ACTR  | A  | 1            |
| -365G        | 315T3308-49 |                     | .ATTACH ASSY-ACTR  | CA-CC<br>,CT-C<br>V,DS,<br>DT  | 1            |
| -365H        | 315T3308-49 |                     | .ATTACH ASSY-ACTR<br>(LIMITED)<br>(USED ON ITEM 1J)  | BS,BT<br>,BW,B<br>X  | 1            |
| -370         | 315T3308-34 |                     | .ATTACH ASSY-ACTR<br>(LIMITED)<br>(OPT ITEM 370C)<br>(USED ON ITEMS 3A, 3B,<br>3C, 3D, 3E, 3H) | F,H,Q<br>,R,T,<br>U,W,X<br>,AA,A<br>C,AD<br>AG,AH<br>,AL,A<br>M,A<br>S-AV,<br>AX,AZ<br>BC,BD<br>,BG,B<br>H | 1            |

71-11-56

ILLUSTRATED PARTS LIST  
01.1 Page 1054C  
Nov 01/04

| FIG. & ITEM | PART NO.    | AIRLINE PART NUMBER | NOMENCLATURE  | EFF CODE   | QTY PER ASSY |
|-------------|-------------|---------------------|---|--|--------------|
|             |             |                     | 1234567   |  |              |
| 05-         |             |                     |   |  |              |
| -370A       | 315T3308-34 |                     | DELETED   |  |              |
| -370B       | 315T3308-40 |                     | DELETED   |  |              |
| -370C       | 315T3308-40 |                     | .ATTACH ASSY-ACTR<br>(LIMITED)<br>(OPT ITEM 370)<br>(USED ON ITEMS 3A, 3B,<br>3C, 3D, 3E, 3H) | F,H,Q<br>,R,T,<br>U,W,X<br>,AA,A<br>C,AD<br>AG,AH<br>,AL,A<br>M,A<br>S-AV,<br>AX,AZ<br>BC,BD<br>,BG,B<br>H | 1            |
| -370D       | 315T3308-44 |                     | .ATTACH ASSY-ACTR<br>(LIMITED)<br>(USED ON ITEMS 3C, 3E,<br>3J)                               | W,X,A<br>C,AD,<br>AS-AV<br>,AX,A<br>Z,BC<br>BD,BG<br>,BH,B<br>U,BV,<br>BY,BZ                               | 1            |
| -370E       | 315T3308-44 |                     | .ATTACH ASSY-ACTR<br>(USED ON ITEMS 3F, 3G)   | BC,BD<br>,BG,B<br>H,BL,<br>BM,BQ<br>,BR<br>BU,BV<br>,BY,B<br>Z   | 1            |

# 71-11-56

 ILLUSTRATED PARTS LIST  
 01.1 Page 1054D  
 Nov 01/04

**BOEING**  
COMPONENT  
MAINTENANCE MANUAL

| FIG. & ITEM | PART NO.        | AIRLINE PART NUMBER | NOMENCLATURE<br>1234567   | EFF CODE  | QTY PER ASSY |
|-------------|-----------------|---------------------|---|---|--------------|
| 05-         |                 |                     |   |   |              |
| -370F       | 315T3308-34     |                     | .ATTACH ASSY-ACTR   | E   | 1            |
| -370G       | 315T3308-50     |                     | .ATTACH ASSY-ACTR   | CH-CK<br>,DA-<br>DC,DU<br>,DV   | 1            |
| -370H       | 315T3308-50     |                     | .ATTACH ASSY-ACTR<br>(LIMITED)<br>(USED ON ITEMS 3J)                            | BU,BV<br>,BY,B<br>Z   | 1            |
| 375         | BACB28AM09B021A |                     | ..BUSHING   | A-F,<br>H-N,Q<br>,R,<br>T-AA,<br>AC-CC<br>CH-CK<br>,CT-C<br>V,D<br>A-DC,<br>DS-DV | 1            |
| 380         | BACB28AP06P021  |                     | ..BUSHING   | A-F,<br>H-N,Q<br>,R,<br>T-AA,<br>AC-CC<br>CH-CK<br>,CT-C<br>V,D<br>A-DC,<br>DS-DV | 1            |
| 385         | BACR15BA3AD     |                     | ..RIVET-<br>(SIZE DETERMINE ON INST)<br>(USED ON ITEMS 365,<br>365F, 370, 370F) | A-F,<br>H-N,Q<br>,R,<br>T-AA,<br>AC-CC<br>CH-CK<br>,CT-C<br>V,D<br>A-DC,<br>DS-DV | 4            |

71-11-56

| FIG. & ITEM | PART NO.    | AIRLINE PART NUMBER | NOMENCLATURE<br>1234567  | EFF CODE  | QTY PER ASSY |
|-------------|-------------|---------------------|--|---|--------------|
| 05-390      | BRM300C08M  |                     | ..NUTPLATE-<br>(V52828)<br>(SPEC BACN10JP08CCM)<br>(OPT MK3001-08BAC (V15653))<br>(OPT NS103199SE82 (V80539))<br>(OPT T8082C832 (V11815))<br>(OPT VN203D1-82 (V92215))<br>(OPT 109A9205M82 (V72962))<br>(USED ON ITEMS 365, 365F, 370, 370F)                           | A-F,<br>H-N,Q<br>,R,<br>T-AA,<br>AC-CC<br>CH-CK<br>,CT-C<br>V,D<br>A-DC | 1            |
| 395         | 109F9201M82 |                     | ..NUTPLATE-<br>(V72962)<br>(SPEC BACN10JN08CM)<br>(OPT BRFM20C08M (V52828))<br>(OPT MF1001-08BAC (V15653))<br>(OPT NS103218SE82 (V80539))<br>(OPT VN252D82 (V92215))<br>(OPT 109F9201M82 (V72962))<br>(OPT T8125C08C (V11815))<br>(USED ON ITEMS 365, 365F, 370, 370F) | A-F,<br>H-N,Q<br>,R,<br>T-AA,<br>AC-CC<br>CH-CK<br>,CT-C<br>V,D<br>A-DC | 1            |

# 71-11-56

 ILLUSTRATED PARTS LIST  
 01.1 Page 1054F  
 Nov 01/04

 **BOEING**  
COMPONENT  
MAINTENANCE MANUAL

| FIG. & ITEM | PART NO.      | AIRLINE PART NUMBER | NOMENCLATURE   | EFF CODE  | QTY PER ASSY |
|-------------|---------------|---------------------|--|---|--------------|
|             |               |                     | 1234567  |   |              |
| 05-397      | MS21209C0825P |                     | ..INSERT-<br>(USED ON ITEMS 365C,<br>365D, 365E, 365G, 365H,<br>370C, 370D, 370E, 370G,<br>370H) | A-F,<br>H-N,Q<br>,R,<br>T-AA,<br>AC-CC<br>CH-CK<br>,CT-C<br>V,D<br>A-DC,<br>DS-DV | 2            |
| 400         | 315T3308-23   |                     | ..PAD-<br>(USED ON ITEMS 365,<br>365F)   | A-D,<br>J-N,V<br>,Y,Z,<br>AE,AF<br>,AJ,A<br>K<br>AN-AR<br>,AW,A<br>Y,BA,<br>BE    | 1            |
| -400A       | 315T3308-41   |                     | ..PAD-<br>(USED ON ITEM 365C)  | B-D,<br>J-N,V<br>,Y,Z,<br>AE,AF<br>,AJ,A<br>K<br>AN-AR<br>,AW,A<br>Y,BA,<br>BE    | 1            |

**71-11-56**

ILLUSTRATED PARTS LIST  
01.1 Page 1054G  
Nov 01/04



| FIG. & ITEM  | PART NO.    | AIRLINE PART NUMBER | NOMENCLATURE<br>1234567                 | EFF CODE   | QTY PER ASSY |
|--------------|-------------|---------------------|---|--|--------------|
| 05-<br>-400B | 315T3308-45 |                     | ..PAD-<br>(USED ON ITEMS 365D,<br>365E) | L,V,Y<br>,Z,A<br>N-AR,<br>AW,AY<br>,BA,B<br>B<br>BE,BF<br>,BJ,B<br>K,BN,<br>BP,BS<br>,BT<br>BW,BX<br>BS,BT | 1            |
| -400C        | 315T3308-47 |                     | ..PAD-<br>(USED ON ITEMS 365G,<br>365H) | ,BW,B<br>X,C<br>A-CC,<br>CT-CV<br>DS,DT<br>E,F,H   | 1            |
| -405         | 315T3308-24 |                     | ..PAD-<br>(USED ON ITEMS 370,<br>370F)  | ,Q,R,<br>T,U,W<br>,X,AA<br>,AC<br>AD,AG<br>,AH,A<br>L,AM,<br>AS-AV<br>,AX<br>AZ,BC<br>,BD,B<br>G,BH        | 1            |

# 71-11-56

 ILLUSTRATED PARTS LIST  
 01.1 Page 1054H  
 Nov 01/04

 **BOEING**  
COMPONENT  
MAINTENANCE MANUAL

| FIG. & ITEM  | PART NO.    | AIRLINE PART NUMBER | NOMENCLATURE                             | EFF CODE   | QTY PER ASSY |
|--------------|-------------|---------------------|--|--|--------------|
| 05-<br>-405A | 315T3308-42 |                     | 1234567<br>..PAD-<br>(USED ON ITEM 370C) | F,H,Q<br>,R,T,<br>U,W,X<br>,AA,A<br>C,AD<br>AG,AH<br>,AL,A<br>M,A<br>S-AV,<br>AX,AZ<br>BC,BD<br>,BG,B<br>H | 1            |
| -405B        | 315T3308-46 |                     | ..PAD-<br>(USED ON ITEMS 370D,<br>370E)  | W,X,A<br>C,AD,<br>AS-AV<br>,AX,A<br>Z,BC<br>BD,BG<br>,BH,B<br>L,BM,<br>BQ,BR<br>,BU<br>BV,BY<br>,BZ        | 1            |
| -405C        | 315T3308-48 |                     | ..PAD-<br>(USED ON ITEMS 370G,<br>370H)  | BU,BV<br>,BY,B<br>Z,C<br>H-CK,<br>DA-DC<br>DU,DV   | 1            |

71-11-56

ILLUSTRATED PARTS LIST  
01.1 Page 1054I  
Nov 01/04

| FIG. & ITEM | PART NO.    | AIRLINE PART NUMBER | NOMENCLATURE  | EFF CODE   | QTY PER ASSY |
|-------------|-------------|---------------------|---|--|--------------|
| 05-410      | 315T3308-35 |                     | 1234567<br>..SHIM-<br>(USED ON ITEMS 365,<br>365F, 370, 370F)                                 | A-F,<br>H-N,Q<br>,R,<br>T-AA,<br>AC-CC<br>CH-CK<br>,CT-C<br>V,D<br>A-DC                                      | 1            |
| -410A       | 315T3308-38 |                     | ..SHIM-<br>(USED ON ITEMS 365C,<br>365D, 365E 365G, 365H,<br>370C, 370D, 370E, 370G,<br>370H) | A-F,<br>H-N,Q<br>,R,<br>T-AA,<br>AC-CC<br>CH-CK<br>,CT-C<br>V,D<br>A-DC,<br>DS-DV                            | 1            |
| 415         | 315T3308-31 |                     | ..FILLER-RADIUS<br>(USED ON ITEMS 370,<br>370F)   | E,F,H<br>,Q,R,<br>T,U,W<br>,X,AA<br>,AC<br>AD,AG<br>,AH,A<br>L,AM,<br>AS-AV<br>,AX<br>AZ,BC<br>,BD,B<br>G,BH | 1            |

# 71-11-56

 ILLUSTRATED PARTS LIST  
 01.1 Page 1054J  
 Nov 01/04

 **BOEING**  
COMPONENT  
MAINTENANCE MANUAL

| FIG. & ITEM | PART NO.     | AIRLINE PART NUMBER | NOMENCLATURE                                    | EFF CODE  | QTY PER ASSY |
|-------------|--------------|---------------------|---|---|--------------|
|             |              |                     | 1234567   |   |              |
| 05-420      | 315T3308-32  |                     | ..FILLER-RADIUS<br>(USED ON ITEMS 365,<br>365F) | A-D,<br>G-N,V<br>,Y,Z,<br>AE,AF<br>,AJ,A<br>K<br>AN-AR<br>,AW,A<br>Y,BA,<br>BE    | 1            |
| 425         | BACB30MY6K20 |                     | .BOLT   | A-F,<br>H-N,Q<br>,R,<br>T-AA,<br>AC-CC<br>CH-CK<br>,CT-C<br>V,D<br>A-DC,<br>DS-DV | 4            |
| 430         | BACB30MY6K21 |                     | .BOLT   | A-F,<br>H-N,Q<br>,R,<br>T-AA,<br>AC-CC<br>CH-CK<br>,CT-C<br>V,D<br>A-DC,<br>DS-DV | 4            |

**71-11-56**

ILLUSTRATED PARTS LIST  
01.1 Page 1054K  
Nov 01/04

| FIG. & ITEM | PART NO.    | AIRLINE PART NUMBER | NOMENCLATURE<br>1234567  | EFF CODE  | QTY PER ASSY |
|-------------|-------------|---------------------|--|---|--------------|
| 05-435      | HL79-6      |                     | .COLLAR-<br>(V5M902)<br>(SPEC BACC30M6)<br>(OPT HL79-6<br>(V73197))<br>(OPT HL79-6<br>(V92215))<br>(OPT 66014-6<br>(V56878))<br>(OPT HL79-6<br>(V56878)) | A-F,<br>H-N,Q<br>,R,<br>T-AA,<br>AC-CC<br>CH-CK<br>,CT-C<br>V,D<br>A-DC,<br>DS-DV | 8            |
| 440         | 315T3300-15 |                     | .SHIM-<br>(USED ON ITEMS 1, 1A,<br>1B, 1D, 1H, 3, 3A, 3B,<br>3D, 3H)   | A-F,<br>H-K,M<br>,N,Q,<br>R,T,U<br>,AA<br>AE-AM<br>,AW-A<br>Z                     | 1            |
| -440A       | 315T3300-15 |                     | .SHIM-<br>(LIMITED)<br>(USED ON ITEMS 1C, 1E,<br>3C, 3E)   | L,V-Z<br>,AC,A<br>D,A<br>P-BA,<br>BC-BH   | 1            |
| -440B       | 315T4300-21 |                     | .SHIM-<br>(LIMITED)<br>(USED ON ITEMS 1C, 1E,<br>3C, 3E)   | L,W-Z<br>,AC,A<br>D,A<br>N-BA,<br>BC-BH   | AR           |
| -440C       | 315T4300-21 |                     | .SHIM-<br>(USED ON ITEMS 1F, 1G,<br>1J, 3F, 3G, 3J)  | BA-BZ   | AR           |
| -440D       | 315T4300-21 |                     | .SHIM  | CA-CC<br>,CH-C<br>K,C<br>T-CV,<br>DA-DC<br>DS-DV                                  | AR           |

# 71-11-56

 ILLUSTRATED PARTS LIST  
 01.1 Page 1054L  
 Nov 01/04

 **BOEING**  
COMPONENT  
MAINTENANCE MANUAL

| FIG. & ITEM | PART NO.    | AIRLINE PART NUMBER | NOMENCLATURE<br>1234567  | EFF CODE  | QTY PER ASSY |
|-------------|-------------|---------------------|--|---|--------------|
| 05-445      | 315T3300-16 |                     | .SHIM-<br>(USED ON ITEMS 1, 1A, 1B, 1D, 1H, 3, 3A, 3B, 3D, 3H) | A-F,<br>H-K,M<br>,N,Q,<br>R,T,U<br>,AA<br>AE-AM<br>,AW-A<br>Z | 1            |
| -445A       | 315T3300-16 |                     | .SHIM-<br>(LIMITED)<br>(USED ON ITEMS 1C, 1E, 3C, 3E)          | L,V-Z<br>,AC,A<br>D,A<br>N-BA,<br>BC-BE<br>BG,BH              | 1            |
| -445B       | 315T4300-22 |                     | .SHIM-<br>(LIMITED)<br>(USED ON ITEMS 1C, 1E, 3C, 3E)          | L,V-Z<br>,AC,A<br>D,A<br>N-BA,<br>BC-BE<br>BG,BH              | AR           |
| -445C       | 315T4300-22 |                     | .SHIM-<br>(USED ON ITEMS 1F, 1G, 1J, 3F, 3G, 3J)               | BA-BZ   | AR           |
| -445D       | 315T4300-22 |                     | .SHIM  | CA-CC<br>,CH-C<br>K,C<br>T-CV,<br>DA-DC<br>DS-DV              | AR           |

71-11-56

ILLUSTRATED PARTS LIST  
01.1 Page 1054M  
Nov 01/04

| FIG. & ITEM | PART NO.    | AIRLINE PART NUMBER | NOMENCLATURE<br>1234567                                 | EFF CODE  | QTY PER ASSY |
|-------------|-------------|---------------------|---|---|--------------|
| 05-450      | 315T3310-5  |                     | .PAD ASSY-CPRSN<br>(USED ON ITEMS 1, 1A,<br>1B, 1D, 1H) | A-D, J<br>,K, M,<br>N, AE,<br>AF, AJ<br>,AK<br>AW, AY                     | 1            |
| -450A       | 315T3310-5  |                     | .PAD ASSY-CPRSN<br>(LIMITED)<br>(USED ON ITEM 1C, 1E)   | L, V, Y<br>,Z, A<br>N-AR,<br>AW, AY<br>,BA, B<br>E                        | 1            |
| -455        | 315T3310-6  |                     | .PAD ASSY-CPRSN<br>(USED ON ITEMS 3, 3A,<br>3B, 3D, 3H) | E, F, H<br>,Q, R,<br>T, U, A<br>A, A<br>G-AM<br>AX, AZ                    | 1            |
| -455A       | 315T3310-6  |                     | .PAD ASSY-CPRSN<br>(LIMITED)<br>(USED ON ITEMS 3C, 3E)  | W, X, A<br>C, AD,<br>AS-AV<br>,AX, A<br>Z, BC<br>BD, BG<br>,BH            | 1            |
| 460         | BACR15BA3AD |                     | ..RIVET-<br>(SIZE DETERMINE ON INST)                    | A-F,<br>H-N, Q<br>,R,<br>T-AA,<br>AC-CC<br>CH-CK<br>,CT-C<br>V, D<br>A-DC | 6            |

# 71-11-56

 ILLUSTRATED PARTS LIST  
 01.1 Page 1054N  
 Nov 01/04

**BOEING**  
COMPONENT  
MAINTENANCE MANUAL

| FIG. & ITEM | PART NO.    | AIRLINE PART NUMBER | NOMENCLATURE  | EFF CODE  | QTY PER ASSY |
|-------------|-------------|---------------------|---|---|--------------|
| 05-465      | 109F9201M82 |                     | 1234567<br>..NUTPLATE-<br>(V72962)<br>(SPEC BACN10JN08CM)<br>(OPT BRFM20C08M<br>(V52828))<br>(OPT MF1001-08BAC<br>(V15653))<br>(OPT NS103218SE82<br>(V80539))<br>(OPT VN252D82<br>(V92215))<br>(OPT 109F9201M82<br>(V72962))<br>(OPT T8125C08C<br>(V11815)) | A-F,<br>H-N,Q<br>,R,<br>T-AA,<br>AC-CC<br>CH-CK<br>,CT-C<br>V,D<br>A-DC   | 3            |
| 470         | 315T3310-7  |                     | ..PAD   | A-D,<br>J-N,V<br>,Y,Z,<br>AE,AF<br>,AJ,A<br>K<br>AN-AR<br>,AW,A<br>Y,BA,<br>BB,BE<br>,BF<br>BJ,BK<br>,BN,B<br>P,BS,<br>BT,BW<br>,BX | 1            |

71-11-56

ILLUSTRATED PARTS LIST  
01.1 Page 10540  
Nov 01/04



| FIG. & ITEM | PART NO.                  | AIRLINE PART NUMBER | NOMENCLATURE<br>1234567   | EFF CODE  | QTY PER ASSY |
|-------------|---------------------------|---------------------|---|---|--------------|
| 05-<br>-475 | 315T3310-8                |                     | ..PAD   | E,F,H<br>,Q,R,<br>T,U,W<br>,X,AA<br>,AC<br>AD,AG<br>,AH,A<br>L,AM,<br>AS-AV<br>,AX<br>AZ,BC<br>,BD,B<br>G,BH,<br>BL,BM<br>,BQ<br>BR,BU<br>,BV,B<br>Y,BZ | 1            |
| 480<br>482  | HL13VAZ6-22<br>315T4310-1 |                     | DELETED<br>.PAD ASSY-CPRSN<br>(LIMITED)<br>(USED ON ITEMS 1C, 1E) | L,V,Y<br>,Z,A<br>N-AR,<br>AW,AY<br>,BA,B<br>E   | 1            |
| -482A       | 315T4310-1                |                     | .PAD ASSY-CPRSN<br>(USED ON ITEMS 1F, 1G,<br>1J)                  | BA,BB<br>,BE,B<br>F,BJ,<br>BK,BN<br>,BP<br>BS,BT<br>,BW,B<br>X  | 1            |
| -482B       | 315T4310-1                |                     | .PAD ASSY-CPRSN   | CA-CC<br>,CT-C<br>V,DS,<br>DT   | 1            |

# 71-11-56

 ILLUSTRATED PARTS LIST  
 01.1 Page 1054P  
 Nov 01/04

| FIG. & ITEM | PART NO.                     | AIRLINE PART NUMBER | NOMENCLATURE<br>1234567                                | EFF CODE  | QTY PER ASSY |
|-------------|------------------------------|---------------------|--|---|--------------|
| 05-<br>-484 | 315T4310-2                   |                     | .PAD ASSY-CPRSN<br>(LIMITED)<br>(USED ON ITEMS 3C, 3E) | W,X,A<br>C,AD,<br>AS-AV<br>,AX,A<br>Z,BC<br>BD,BG<br>,BH                                    | 1            |
| -484A       | 315T4310-2                   |                     | .PAD ASSY-CPRSN<br>(USED ON ITEMS 3F, 3G,<br>3J)       | BC,BD<br>,BG,B<br>H,BL,<br>BM,BQ<br>,BR<br>BU,BV<br>,BY,B<br>Z,C<br>H-CK,<br>DA-DC<br>CH-CK | 1            |
| -484B       | 315T4310-2                   |                     | .PAD ASSY-CPRSN  | ,DA-<br>DC,DU<br>,DV  | 1            |
| 485<br>486  | HL13VAZ6-21<br>MS21209C0815P |                     | DELETED<br>..INSERT                                    | L,V-Z<br>,AC,A<br>D,A<br>N-CC,<br>CH-CK<br>CT-CV<br>,DA-<br>DC,D<br>S-DV                    | 3            |

71-11-56

| FIG. & ITEM | PART NO.                 | AIRLINE PART NUMBER | NOMENCLATURE     | EFF CODE   | QTY PER ASSY |
|-------------|--------------------------|---------------------|------------------|--|--------------|
| 05-488      | 315T4310-3               |                     | 1234567<br>..PAD | L,V,Y<br>,Z,A<br>N-AR,<br>AW,AY<br>,BA<br>BB,BE<br>,BF,B<br>J,BK,<br>BN,BP<br>,BS<br>BT,BW<br>,BX,<br>CA-CC<br>,CT-C<br>V,DS<br>DT   | 1            |
| 490-492     | HL1187DUW6<br>315T4310-4 |                     | DELETED<br>..PAD | W,X,A<br>C,AD,<br>AS-AV<br>,AX,A<br>Z<br>BC,BD<br>,BG,B<br>H,BL,<br>BM,BQ<br>,BR<br>BU,BV<br>,BY,B<br>Z,C<br>H-CK,<br>DA-DC<br>DU,DV | 1            |

# 71-11-56

 ILLUSTRATED PARTS LIST  
 01.1 Page 1054R  
 Nov 01/04

**BOEING**  
COMPONENT  
MAINTENANCE MANUAL

| FIG. & ITEM                            | PART NO.   | AIRLINE PART NUMBER | NOMENCLATURE<br>1234567  | EFF CODE   | QTY PER ASSY |
|--|--|---------------------|--|--|--------------|
| 05-<br>495<br>500<br>505<br>510<br>515 | BACB30VF3K22<br>BACB30VF3K21<br>AN960D10L<br>MS21042-3<br>BACB30MY6K16 |                     | DELETED<br>DELETED<br>DELETED<br>DELETED<br>.BOLT-<br>(USED ON ITEMS 1, 1B,<br>1C, 1E, 1H, 3, 3B, 3C,<br>3E, 3H)   | A,E,K<br>,L,N,<br>R,U-Z<br>,AC,A<br>D<br>AN-BA<br>,BC-B<br>E,BG,<br>BH | 1            |
| -515A                                  | L800X6K16  |                     | .BOLT-<br>(V06725)<br>(SPEC BACB30MY6K16X)<br>(OPT HL110AZ6-16<br>(V60516))<br>(REWORK DWG<br>315U4009-5,<br>315U4009-6,<br>315U4009-7,<br>315U4009-8,<br>315U4009-9,<br>315U4009-10,<br>315U4009-11,<br>315U4009-12)<br>(USED ON ITEMS 1A, 1D,<br>3A, 3D) | B-D,F<br>,H,J,<br>M,Q,T<br>,AA,A<br>E-AM<br>AW-AZ                      | 1            |
| -515B                                  | BACB30MY6K16   |                     | .BOLT-<br>(LIMITED)<br>(USED ON ITEMS 1F, 1G,<br>3F, 3G)   | BA-BZ  | 1            |
| 517                                    | L8006-15   |                     | .BOLT-<br>(V06725)<br>(SPEC BACB30MY6K15)<br>(OPT HL10VAZ6-15<br>(VOPTK6))<br>(USED ON ITEMS 1, 1B,<br>1C, 1E, 1H, 3, 3B, 3C,<br>3E, 3H)   | A,E,K<br>,L,N,<br>R,U-Z<br>,AC,A<br>D<br>AN-BA<br>,BC-B<br>E,BG,<br>BH | 1            |

71-11-56

| FIG. & ITEM                  | PART NO.  | AIRLINE PART NUMBER | NOMENCLATURE<br>1234567   | EFF CODE  | QTY PER ASSY |
|------------------------------|---|---------------------|---|---|--------------|
| 05-<br>-517A                 | L800X6K15   |                     | .BOLT-<br>(V06725)<br>(SPEC BACB30MY6K15X)<br>(OPT HL110AZ6-15<br>(V60516))<br>(REWORK DWG<br>315U4009-5,<br>315U4009-6,<br>315U4009-7,<br>315U4009-9,<br>315U4009-10,<br>315U4009-11,<br>315U4009-12)<br>(USED ON ITEMS 1A, 1D,<br>3A, 3D) | B-D,F<br>,H,J,<br>M,Q,T<br>,AA,A<br>E-AM<br>AW-AZ | 1            |
| -517B                        | L8006-15  |                     | .BOLT-<br>(V06725)<br>(SPEC BACB30MY6K15)<br>(OPT AL10V6-15<br>(V92215))<br>(LIMITED)<br>(USED ON ITEMS 1F, 1G,<br>3F, 3G)  | BA-BZ   | 1            |
| 518<br>-518A<br>-518B<br>519 | HL11VAZ6-15<br>HL11VAZ6-15<br>HL10VAZ6-15<br>L8006-15 |                     | DELETED<br>DELETED<br>DELETED<br>.BOLT-<br>(V06725)<br>(SPEC BACB30MY6K15)<br>(OPT AL10V6-15<br>(V92215))<br>(REWORK DWG<br>315T4013-37,<br>315T4013-38)  | A,E   | 1            |

# 71-11-56

 ILLUSTRATED PARTS LIST  
 01.1 Page 1054T  
 Nov 01/04

 **BOEING**  
COMPONENT  
MAINTENANCE MANUAL

| FIG. & ITEM | PART NO.    | AIRLINE PART NUMBER | NOMENCLATURE  | EFF CODE  | QTY PER ASSY |
|-------------|-------------|---------------------|---|---|--------------|
| 05-519A     | HL11VAZ6-15 |                     | 1234567<br>.BOLT-<br>(V60516)<br>(SPEC BACB30NW6K15)<br>(OPT B30NW6K15<br>(V97928))<br>(OPT HL11VAZ6-15<br>(V73197))<br>(OPT HL11VAZ6-15<br>(V92215))<br>(OPT HL11VAZ6-15<br>(V97928))<br>(OPT L803-6K15<br>(V06725))<br>(OPT HL11VAZ6-15<br>(V0PTK6))<br>(OPT HL11VAZ6-15<br>(V56878))<br>(REWORK DWG<br>315U4009-5,<br>315U4009-6,<br>315U4009-7,<br>315U4009-9,<br>315U4009-10,<br>315U4009-11,<br>315U4009-12)<br>(USED ON ITEMS 1A, 1D,<br>3A, 3D) | B-D,F<br>,H,J,<br>M,Q,T<br>,AA,A<br>E-AM<br>AW-AZ | 1            |

71-11-56

ILLUSTRATED PARTS LIST  
01.1 Page 1054U  
Nov 01/04

| FIG. & ITEM  | PART NO.    | AIRLINE PART NUMBER | NOMENCLATURE<br>1234567   | EFF CODE   | QTY PER ASSY |
|--------------|-------------|---------------------|---|--|--------------|
| 05-<br>-519B | HL11VAZ6-15 |                     | .BOLT-<br>(V60516)<br>(SPEC BACB30NW6K15)<br>(OPT B30NW6K15<br>(V97928))<br>(OPT HL11VAZ6-15<br>(V73197))<br>(OPT HL11VAZ6-15<br>(V92215))<br>(OPT HL11VAZ6-15<br>(V97928))<br>(OPT L803-6K15<br>(V06725))<br>(OPT HL11VAZ6-15<br>(V0PTK6))<br>(OPT HL11VAZ6-15<br>(V56878))<br>(USED ON ITEMS 1B, 1C,<br>1E, 1H, 3, 3B, 3C, 3E,<br>3H) | L,N,R<br>,U-Z,<br>AC,AD<br>,AN-<br>BA<br>BC-BE<br>,BG,B<br>H | 1            |
| -519C        | HL11VAZ6-15 |                     | .BOLT-<br>(V60516)<br>(SPEC BACB30NW6K15)<br>(OPT B30NW6K15<br>(V97928))<br>(OPT HL11VAZ6-15<br>(V73197))<br>(OPT HL11VAZ6-15<br>(V92215))<br>(OPT HL11VAZ6-15<br>(V97928))<br>(OPT L803-6K15<br>(V06725))<br>(OPT HL11VAZ6-15<br>(V0PTK6))<br>(OPT HL11VAZ6-15<br>(V56878))<br>(LIMITED)<br>(USED ON ITEMS 1F, 1G,<br>3F, 3G)          | BA-BZ  | 1            |

# 71-11-56

 ILLUSTRATED PARTS LIST  
 01.1 Page 1054V  
 Nov 01/04

 **BOEING**  
COMPONENT  
MAINTENANCE MANUAL

| FIG. & ITEM  | PART NO.                  | AIRLINE PART NUMBER | NOMENCLATURE<br>1234567  | EFF CODE   | QTY PER ASSY |
|--------------|---------------------------|---------------------|--|--|--------------|
| 05-<br>-519D | L8006-15                  |                     | .BOLT-<br>(V06725)<br>(SPEC BACB30MY6K15)<br>(OPT AL10V6-15<br>(V92215))<br>(LIMITED)<br>(USED ON ITEMS 1F, 1G,<br>3F, 3G) | BA-BZ  | 1            |
| -519E        | L8006-15                  |                     | .BOLT-<br>(V06725)<br>(SPEC BACB30MY6K15)<br>(OPT AL10V6-15<br>(V92215))<br>(USED ON ITEMS 1J, 3J)                         | BS-BZ  | 1            |
| -519F        | BACB30MY6K16              |                     | .BOLT  | CA-CC<br>,CH-C<br>K,C<br>T-CV,<br>DA-DC<br>DS-DV | 1            |
| 520<br>521   | HL10C6-15<br>BACB30MY6K14 |                     | DELETED<br>.BOLT-<br>(REWORK DWG<br>315T4013-37,<br>315T4013-38)   | A,E  | 1            |

71-11-56

ILLUSTRATED PARTS LIST  
01.1 Page 1054W  
Nov 01/04



| FIG. & ITEM | PART NO. | AIRLINE PART NUMBER | NOMENCLATURE  | EFF CODE                                   | QTY PER ASSY |
|-------------|----------|---------------------|---|--|--------------|
| 05-         |          |                     | 1234567<br><br>(V60516)<br>(SPEC BACB30NW6K14)<br>(OPT B30NW6K14<br>(V97928))<br>(OPT HL11VAZ6-14<br>(V73197))<br>(OPT HL11VAZ6-14<br>(V92215))<br>(OPT HL11VAZ6-14<br>(V97928))<br>(OPT L803-6K14<br>(V06725))<br>(OPT HL11VAZ6-14<br>(V0PTK6))<br>(OPT HL11VAZ6-14<br>(V56878))<br>(REWORK DWG<br>315U4009-5,<br>315U4009-6,<br>315U4009-7,<br>315U4009-9,<br>315U4009-10,<br>315U4009-11,<br>315U4009-12)<br>(USED ON ITEMS 1A, 1D,<br>3A, 3D) | H, J,<br>M, Q, T<br>AA, A<br>E-AM<br>AW-AZ |              |

# 71-11-56

 ILLUSTRATED PARTS LIST  
 01.1 Page 1054X  
 Nov 01/04

 **BOEING**  
COMPONENT  
MAINTENANCE MANUAL

| FIG. & ITEM  | PART NO.     | AIRLINE PART NUMBER | NOMENCLATURE<br>1234567   | EFF CODE   | QTY PER ASSY |
|--------------|--------------|---------------------|---|--|--------------|
| 05-<br>-521B | HL11VAZ6-14  |                     | .BOLT-<br>(V60516)<br>(SPEC BACB30NW6K14)<br>(OPT B30NW6K14<br>(V97928))<br>(OPT HL11VAZ6-14<br>(V73197))<br>(OPT HL11VAZ6-14<br>(V92215))<br>(OPT HL11VAZ6-14<br>(V97928))<br>(OPT L803-6K14<br>(V06725))<br>(OPT HL11VAZ6-14<br>(V0PTK6))<br>(OPT HL11VAZ6-14<br>(V56878))<br>(USED ON ITEMS 1B, 1C,<br>1E, 1H, 3, 3B, 3C, 3E,<br>3H) | L,N,R<br>,U-Z,<br>AC,AD<br>,AN-<br>BA<br>BC-BE<br>,BG,B<br>H | 1            |
| -521C        | HL11VAZ6-14  |                     | .BOLT-<br>(V60516)<br>(SPEC BACB30NW6K14)<br>(OPT B30NW6K14<br>(V97928))<br>(OPT HL11VAZ6-14<br>(V73197))<br>(OPT HL11VAZ6-14<br>(V92215))<br>(OPT HL11VAZ6-14<br>(V97928))<br>(OPT L803-6K14<br>(V06725))<br>(OPT HL11VAZ6-14<br>(V0PTK6))<br>(OPT HL11VAZ6-14<br>(V56878))<br>(LIMITED)<br>(USED ON ITEMS 1F, 1G,<br>3F, 3G)          | BA-BZ  | 1            |
| -521D        | BACB30MY6K14 |                     | .BOLT-<br>(LIMITED)<br>(USED ON ITEMS 1F, 1G,<br>3F, 3G)  | BA-BZ  | 1            |

71-11-56

ILLUSTRATED PARTS LIST  
01.1 Page 1054Y  
Nov 01/04

| FIG. & ITEM  | PART NO.     | AIRLINE PART NUMBER | NOMENCLATURE<br>1234567  | EFF CODE  | QTY PER ASSY |
|--------------|--------------|---------------------|--|---|--------------|
| 05-<br>-521E | BACB30MY6K14 |                     | .BOLT-<br>(USED ON ITEMS 1J, 3J)   | BS-BZ   | 1            |
| -521F        | BACB30MY6K14 |                     | .BOLT  | CA-CC<br>,CH-C<br>K,C<br>T-CV,<br>DA-DC<br>DS-DV              | 1            |
| 523          | BACC30MY6K14 |                     | DELETED  |   |              |
| 523A         | HL11VAZ6-14  |                     | DELETED  |   |              |
| -523B        | HL10VAZ6-14  |                     | DELETED  |   |              |
| -523C        | HL11VAZ6-14  |                     | DELETED  |   |              |
| 524          | HL82-6APBW   |                     | .COLLAR-<br>(V5M902)<br>(SPEC BACC30AG6)<br>(OPT HL82-6APBW<br>(V92215))<br>(OPT HL82-6APBW<br>(V56878))<br>(OPT HL82-6APBW<br>(V73197))<br>(USED ON ITEMS 1, 1A,<br>1B, 1C, 1D, 1E, 1H, 3,<br>3A, 3B, 3C, 3D, 3E, 3H) | A-F,<br>H-N,Q<br>,R,<br>T-AA,<br>AC-BA<br>BC-BE<br>,BG,B<br>H | 2            |
| -524A        | HL82-6APBW   |                     | .COLLAR-<br>(V5M902)<br>(SPEC BACC30AG6)<br>(OPT HL82-6APBW<br>(V92215))<br>(OPT HL82-6APBW<br>(V56878))<br>(OPT HL82-6APBW<br>(V73197))<br>(LIMITED)<br>(USED ON ITEMS 1F, 1G,<br>3F, 3G)                             | BA-BZ   | 2            |

# 71-11-56

 ILLUSTRATED PARTS LIST  
 01.1 Page 1054Z  
 Nov 01/04

 **BOEING**  
COMPONENT  
MAINTENANCE MANUAL

| FIG. & ITEM | PART NO.     | AIRLINE PART NUMBER | NOMENCLATURE<br>1234567  | EFF CODE   | QTY PER ASSY |
|-------------|--------------|---------------------|--|--|--------------|
| 05-525      | HL82-6APBW   |                     | .COLLAR-<br>(V5M902)<br>(SPEC BACC30AG6)<br>(OPT HL82-6APBW<br>(V92215))<br>(OPT HL82-6APBW<br>(V56878))<br>(OPT HL82-6APBW<br>(V73197)) | A-F,<br>H-N,Q<br>,R,<br>T-AA,<br>AC-CC<br>CH-CK<br>,CT-C<br>V,D<br>A-DC,<br>DS-DV<br>BA-BZ | 2            |
| 527         | ASFPDPT06-16 |                     | .PIN-<br>(LIMITED)<br>(V17446)<br>(USED ON ITEMS 1F, 1G,<br>3F, 3G)  | BS-BZ  | 1            |
| -527A       | ASFPDPT06-16 |                     | .PIN-<br>(V17446)<br>(USED ON ITEMS 1J, 3J)  | BS-BZ  | 1            |
| -527B       | ASFPDPT06-16 |                     | .PIN-<br>(V17446)  | CA-CC<br>,CH-C<br>K,C<br>T-CV,<br>DA-DC<br>DS-DV<br>BA-BZ                                  | 1            |
| 528         | ASFPDPT06-15 |                     | .PIN-<br>(LIMITED)<br>(V17446)<br>(USED ON ITEMS 1F, 1G,<br>3F, 3G)  | BS-BZ  | 1            |
| -528A       | ASFPDPT06-15 |                     | .PIN-<br>(V17446)<br>(USED ON ITEMS 1J, 3J)  | BS-BZ  | 1            |
| -528B       | ASFPDPT06-15 |                     | .PIN-<br>(V17446)  | CA-CC<br>,CH-C<br>K,C<br>T-CV,<br>DA-DC<br>DS-DV   | 1            |

71-11-56

ILLUSTRATED PARTS LIST  
01.1 Page 1055  
Nov 01/04

| FIG. & ITEM | PART NO.    | AIRLINE PART NUMBER | NOMENCLATURE<br>1234567  | EFF CODE   | QTY PER ASSY |
|-------------|-------------|---------------------|--|--|--------------|
| 05-530      | 315T3300-14 |                     | DELETED  |  |              |
| 531         | 2ASPPSDT06  |                     | .SLEEVE-<br>(LIMITED)<br>(V17446)<br>(USED ON ITEMS 1F, 1G,<br>3F, 3G) | BA-BZ  | 2            |
| -531A       | 2ASPPSDT06  |                     | .SLEEVE-<br>(V17446)<br>(USED ON ITEMS 1J, 3J)                         | BS-BZ  | 2            |
| -531B       | 2ASPPSDT06  |                     | .SLEEVE-<br>(V17446)   | CA-CC<br>,CH-C<br>K,C<br>T-CV,<br>DA-DC<br>DS-DV | 2            |
| 533         | ASPLC2AC06  |                     | .COLLAR-<br>(LIMITED)<br>(V17446)<br>(USED ON ITEMS 1F, 1G,<br>3F, 3G) | BA-BZ  | 2            |
| -533A       | ASPLC2AC06  |                     | .COLLAR-<br>(V17446)<br>(USED ON ITEMS 1J, 3J)                         | BS-CC<br>,CH-C<br>K,C<br>T-CV,<br>DA-DC          | 2            |
| -533B       | ASPLC2AC06  |                     | .COLLAR-<br>(V17446)   | CA-CC<br>,CH-C<br>K,C<br>T-CV,<br>DA-DC<br>DS-DV | 2            |

# 71-11-56

 ILLUSTRATED PARTS LIST  
 01.1 Page 1056  
 Nov 01/04

 **BOEING**  
COMPONENT  
MAINTENANCE MANUAL

| FIG. & ITEM        | PART NO.                   | AIRLINE PART NUMBER | NOMENCLATURE<br>1234567   | EFF CODE   | QTY PER ASSY |
|--------------------|----------------------------|---------------------|---|--|--------------|
| 05-<br>535<br>535A | 315T4309-1<br>315U4309-1   |                     | DELETED<br>.PAD ASSY-CPRSN<br>(USED ON ITEMS 1, 1A,<br>1D)                                  | A-D,<br>J-M,A<br>W,AY  | 1            |
| -535B              | 315U4309-5                 |                     | .PAD ASSY-CPRSN<br>(LIMITED)<br>(USED ON ITEMS 1B, 1H)                                      | K,N,A<br>W,AY  | 1            |
| -535C              | 315U4309-5                 |                     | .PAD ASSY-CPRSN<br>(REWORK DWG<br>315U4009-5,<br>315U4009-7,<br>315U4009-9,<br>315U4009-11) | AE,AF<br>,AJ,A<br>K  | 1            |
| -535D<br>-535E     | 315U4309-19<br>315U4309-19 |                     | DELETED<br>.PAD ASSY-CPRSN<br>(LIMITED)<br>(USED ON ITEMS 1B, 1C,<br>1E, 1H)                | K,L,N<br>,V,Y,<br>Z,A<br>N-AR,<br>AW,AY<br>BA,BE               | 1            |
| -535F              | 315U4309-29                |                     | .PAD ASSY-CPRSN<br>(LIMITED)<br>(USED ON ITEMS 1C, 1E)                                      | L,V,Y<br>,Z,A<br>N-AR,<br>AW,AY<br>,BA,B<br>E                  | 1            |
| -535G              | 315U4309-29                |                     | .PAD ASSY-CPRSN<br>(LIMITED)<br>(USED ON ITEMS 1F, 1G)                                      | BA,BB<br>,BE,B<br>F,BJ,<br>BK,BN<br>,BP<br>BS,BT<br>,BW,B<br>X | 1            |

71-11-56

ILLUSTRATED PARTS LIST  
01.1 Page 1056A  
Nov 01/04

| FIG. & ITEM   | PART NO.                 | AIRLINE PART NUMBER | NOMENCLATURE<br>1234567  | EFF CODE  | QTY PER ASSY |
|---------------|--------------------------|---------------------|--|---|--------------|
| 05-<br>-535H  | 315U4309-33              |                     | .PAD ASSY-CPRSN<br>(LIMITED)<br>(USED ON ITEMS 1F, 1G,<br>1L, 1M, 1N, 1P, 1Q, 1R,<br>1S)     | BA, BB<br>, BE, B<br>F, BJ,<br>BK, BN<br>, BP<br>BS, BT<br>, BW, B<br>X | 1            |
| -535J         | 315U4309-33              |                     | .PAD ASSY-CPRSN<br>(USED ON ITEMS 1J, 1K)  | BS, BT<br>, BW, B<br>X, C<br>A-CC,<br>CT-CV<br>DS, DT                   | 1            |
| -535K         | 315U4309-37              |                     | .PAD ASSY-CPRSN<br>(USED ON ITEMS 1T, 1U,<br>1V, 1W, 1X, 1Y)                                 |   | 1            |
| -540<br>-540A | 315T4309-2<br>315U4309-2 |                     | DELETED<br>.PAD ASSY-CPRSN<br>(USED ON ITEM 3, 3A,<br>3D)                                    | E, F, H<br>, Q, T,<br>AA, AX<br>, AZ                                    | 1            |
| -540B         | 315U4309-6               |                     | .PAD ASSY-CPRSN<br>(LIMITED)<br>(USED ON ITEMS 3B, 3H)                                       | R, U, A<br>X, AZ  | 1            |
| -540C         | 315U4309-6               |                     | .PAD ASSY-CPRSN<br>(REWORK DWG<br>315U4009-6,<br>315U4009-8,<br>315U4009-10,<br>315U4009-12, | AG, AH<br>, AL, A<br>M  | 1            |

# 71-11-56

 ILLUSTRATED PARTS LIST  
 01.1 Page 1056B  
 Nov 01/04

 **BOEING**  
COMPONENT  
MAINTENANCE MANUAL

| FIG. & ITEM           | PART NO.                   | AIRLINE PART NUMBER | NOMENCLATURE<br>1234567  | EFF CODE   | QTY PER ASSY |
|-----------------------|----------------------------|---------------------|--|--|--------------|
| 05-<br>-540D<br>-540E | 315U4309-20<br>315U4309-20 |                     | DELETED<br>.PAD ASSY-CPRSN<br>(LIMITED)<br>(USED ON ITEMS 3B, 3C,<br>3E, 3H)             | R,U,W<br>,X,AC<br>,AD,A<br>S-AV,<br>AX,AZ<br>BC,BD<br>,BG,B<br>H         | 1            |
| -540F                 | 315U4309-30                |                     | .PAD ASSY-CPRSN<br>(LIMITED)<br>(USED ON ITEMS 3C, 3E)                                   | W,X,A<br>C,AD,<br>AS-AV<br>,AX,A<br>Z<br>BC,BD<br>,BG,B<br>H             | 1            |
| -540G                 | 315U4309-30                |                     | .PAD ASSY-CPRSN<br>(LIMITED)<br>(USED ON ITEMS 3F, 3G)                                   | BC,BD<br>,BG,B<br>H,BL,<br>BM,BQ<br>,BR<br>BU,BV<br>,BY,B<br>Z           | 1            |
| -540H                 | 315U4309-34                |                     | .PAD ASSY-CPRSN<br>(LIMITED)<br>(USED ON ITEMS 3F, 3G,<br>3L, 3M, 3N, 3P, 3Q, 3R,<br>3S) | BC,BD<br>,BG,B<br>H,BL,<br>BM,BQ<br>,BR<br>BU,BV<br>,BY,B<br>Z,DU,<br>DV | 1            |

71-11-56

ILLUSTRATED PARTS LIST  
01.1 Page 1056C  
Nov 01/04



| FIG. & ITEM  | PART NO.                 | AIRLINE PART NUMBER | NOMENCLATURE<br>1234567  | EFF CODE   | QTY PER ASSY |
|--------------|--------------------------|---------------------|--|--|--------------|
| 05-<br>-540J | 315U4309-34              |                     | .PAD ASSY-CPRSN<br>(USED ON ITEMS 3J, 3K)  | BU,BV<br>,BY,B<br>Z,C<br>H-CK,<br>DA-DC<br>DU,DV                               | 1            |
| -540K        | 315U4309-38              |                     | .PAD ASSY-CPRSN<br>(USED ON ITEMS 3T, 3U,<br>3V, 3W, 3X, 3Y)                                     |  | 1            |
| 545          | MS21209C0820P            |                     | ..INSERT-<br>(USED ON ITEMS 535A,<br>535B, 535C, 535E, 540A,<br>540B, 540C, 540E)                | A-F,<br>H-N,Q<br>,R,<br>T-AA,<br>AC-AV<br>,AX<br>AZ,BA<br>,BC-B<br>E,BG,<br>BH | 2            |
| -545A        | MS21209C0815P            |                     | ..INSERT-<br>(USED ON ITEMS 535F,<br>535G, 535H, 535J, 535K,<br>540F, 540G, 540H, 540J,<br>540K) | BA-CC<br>,CH-C<br>K,C<br>T-CV,<br>DA-DC<br>DS-DV                               | 2            |
| 550<br>550A  | 315T4309-3<br>315U4309-3 |                     | DELETED<br>..PAD-<br>(USED ON ITEM 535A)   | A-D,<br>J-M,A<br>W,AY  | 1            |
| -550B        | 315U4309-7               |                     | ..PAD-<br>(USED ON ITEMS 535B,<br>535C)  | K,N,A<br>E,AF,<br>AJ,AK<br>,AW,A<br>Y  | 1            |

# 71-11-56

 ILLUSTRATED PARTS LIST  
 01.1 Page 1056D  
 Nov 01/04

 **BOEING**  
COMPONENT  
MAINTENANCE MANUAL

| FIG. & ITEM  | PART NO.    | AIRLINE PART NUMBER | NOMENCLATURE<br>1234567                 | EFF CODE  | QTY PER ASSY |
|--------------|-------------|---------------------|---|---|--------------|
| 05-<br>-550C | 315U4309-21 |                     | ..PAD-<br>(USED ON ITEM 535E)           | K,L,N<br>,V,Y,<br>Z,A<br>N-AR,<br>AW,AY<br>BA,BE  | 1            |
| -550D        | 315U4309-31 |                     | ..PAD-<br>(USED ON ITEMS 535F,<br>535G) | K,L,N<br>,V,Y,<br>Z,A<br>N-AR,<br>AW,AY<br>BA,BB<br>,BE,B<br>F,BJ,<br>BK,BN<br>,BP<br>BS,BT<br>,BW,B<br>X | 1            |
| -550E        | 315U4309-35 |                     | ..PAD-<br>(USED ON ITEMS 535H,<br>535J) | BA,BB<br>,BE,B<br>F,BJ,<br>BK,BN<br>,BP<br>BS,BT<br>,BW,B<br>X,C<br>A-CC,<br>CT-CV<br>DS,DT               | 1            |
| -550F        | 315U4309-39 |                     | ..PAD-<br>(USED ON ITEM 535K)           | DS,DT   | 1            |

**71-11-56**

ILLUSTRATED PARTS LIST  
01.1 Page 1056E  
Nov 01/04

| FIG. & ITEM          | PART NO.                 | AIRLINE PART NUMBER | NOMENCLATURE<br>1234567                  | EFF CODE   | QTY PER ASSY |
|----------------------|--------------------------|---------------------|--|--|--------------|
| 05-<br>-555<br>-555A | 315T4309-4<br>315U4309-4 |                     | DELETED<br>..PAD-<br>(USED ON ITEM 540A) | E,F,H<br>,Q,T,<br>AA,AX<br>,AZ   | 1            |
| -555B                | 315U4309-8               |                     | ..PAD-<br>(USED ON ITEMS 540B,<br>540C)  | R,U,A<br>G,AH,<br>AL,AM<br>,AX,A<br>Z  | 1            |
| -555C                | 315U4309-22              |                     | ..PAD-<br>(USED ON ITEM 540E)            | R,U,W<br>,X,AC<br>,AD,A<br>S-AV,<br>AX,AZ<br>BC,BD<br>,BG,B<br>H                                     | 1            |
| -555D                | 315U4309-32              |                     | ..PAD-<br>(USED ON ITEMS 540F,<br>540G)  | W,X,A<br>C,AD,<br>AS-AV<br>,AX,A<br>Z,BC<br>BD,BG<br>,BH,B<br>L,BM,<br>BQ,BR<br>,BU<br>BV,BY<br>,BZ  | 1            |
| -555E                | 315U4309-36              |                     | ..PAD-<br>(USED ON ITEMS 540H,<br>540J)  | BC,BD<br>,BG,B<br>H,BL,<br>BM,BQ<br>,BR<br>BU,BV<br>,BY,B<br>Z,C<br>H-CK,<br>DA-DC<br>DU,DV<br>DU,DV | 1            |
| -555F                | 315U4309-40              |                     | ..PAD-<br>(USED ON ITEM 540K)            |  | 1            |

# 71-11-56

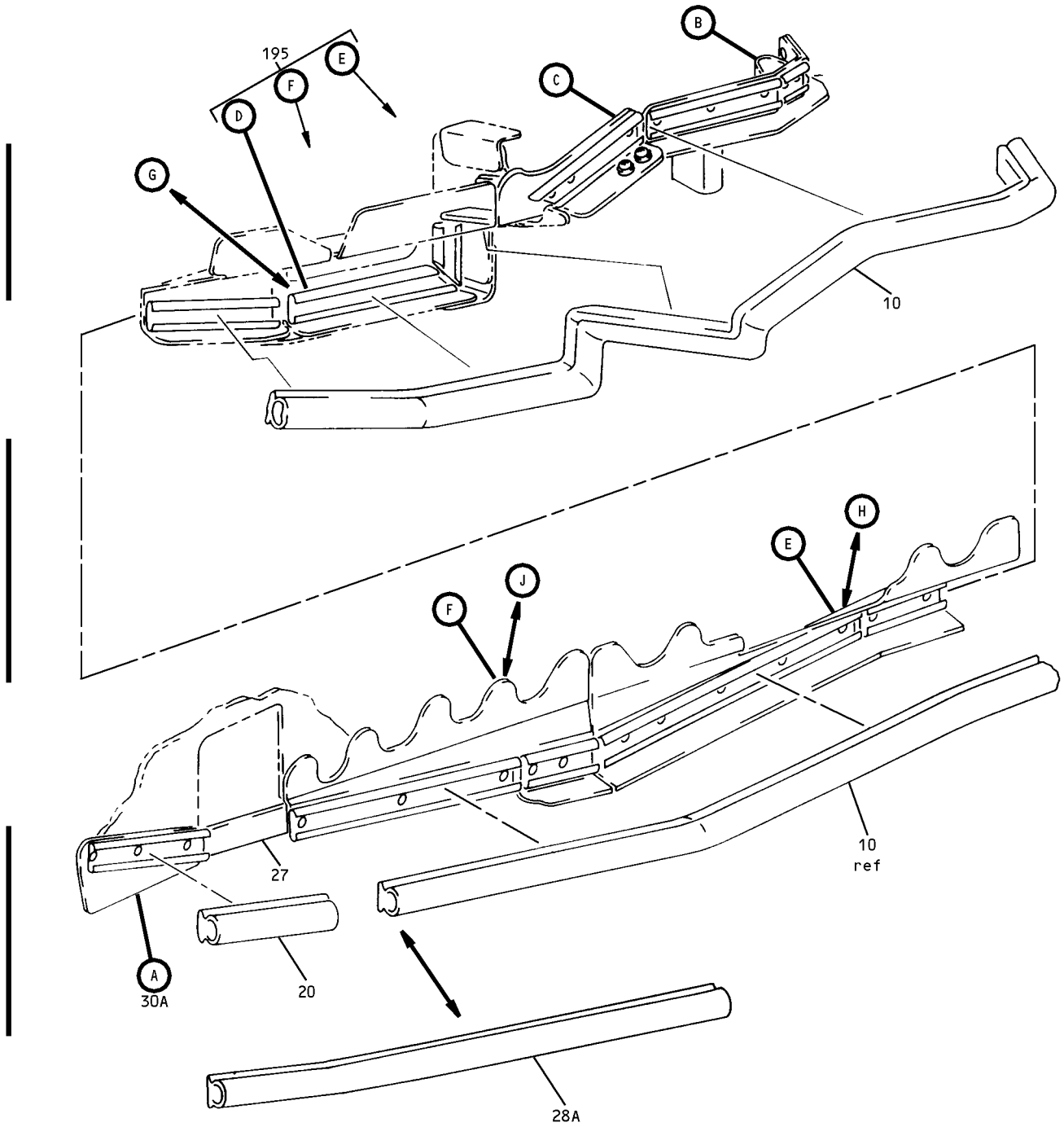
 ILLUSTRATED PARTS LIST  
 01.1 Page 1056F  
 Nov 01/04

| FIG. & ITEM | PART NO.    | AIRLINE PART NUMBER | NOMENCLATURE<br>1234567                                  | EFF CODE  | QTY PER ASSY |
|-------------|-------------|---------------------|--|---|--------------|
| 05-560      | 315T3300-14 |                     | .SHIM  | A,E   | 1            |
| 565         | 315T4300-23 |                     | .SHIM-<br>(LIMITED)<br>(USED ON ITEMS 1C, 1E,<br>3C, 3E) | L,V-Z<br>,AC,A<br>D,A<br>N-BA,<br>BC-BE<br>BG,BH<br>BA-BZ | 1            |
| -565A       | 315T4300-23 |                     | .SHIM-<br>(USED ON ITEMS 1F, 1G,<br>1J, 3F, 3G, 3J)      |   | AR           |
| -565B       | 315T4300-23 |                     | .SHIM  | CA-CC<br>,CH-C<br>K,C<br>T-CV,<br>DA-DC<br>DS-DV          | AR           |

- Item Not Illustrated

**71-11-56**

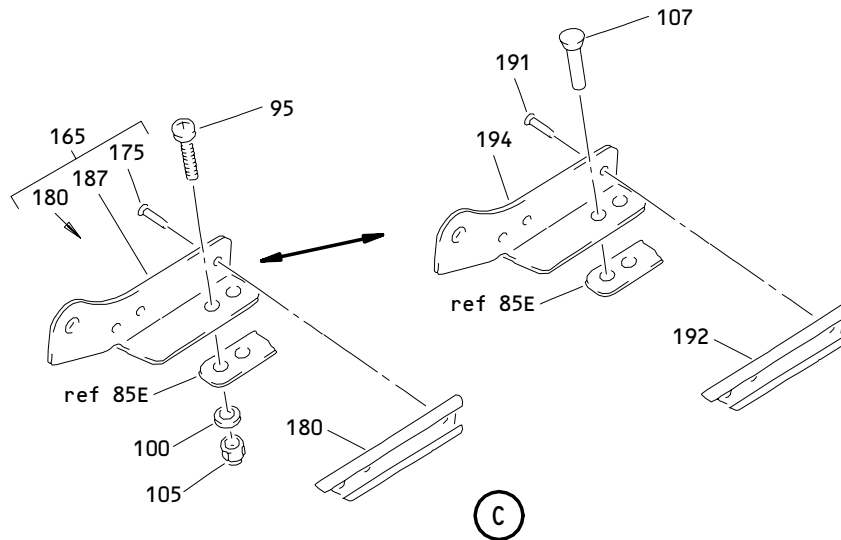
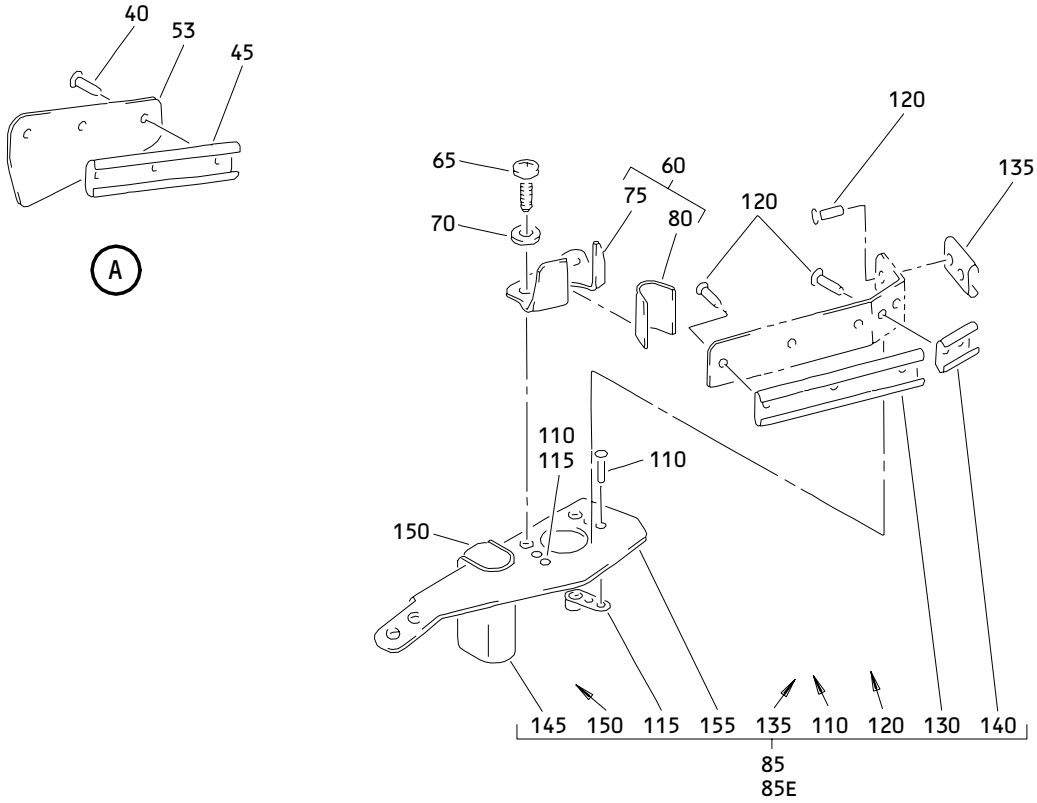
ILLUSTRATED PARTS LIST  
01.1 Page 1056G  
Nov 01/04



Eng Outbd Side Fan Duct Cowl Uprr Bifurcation Seal Installation  
Figure 6 (Sheet 1)

**71-11-56**

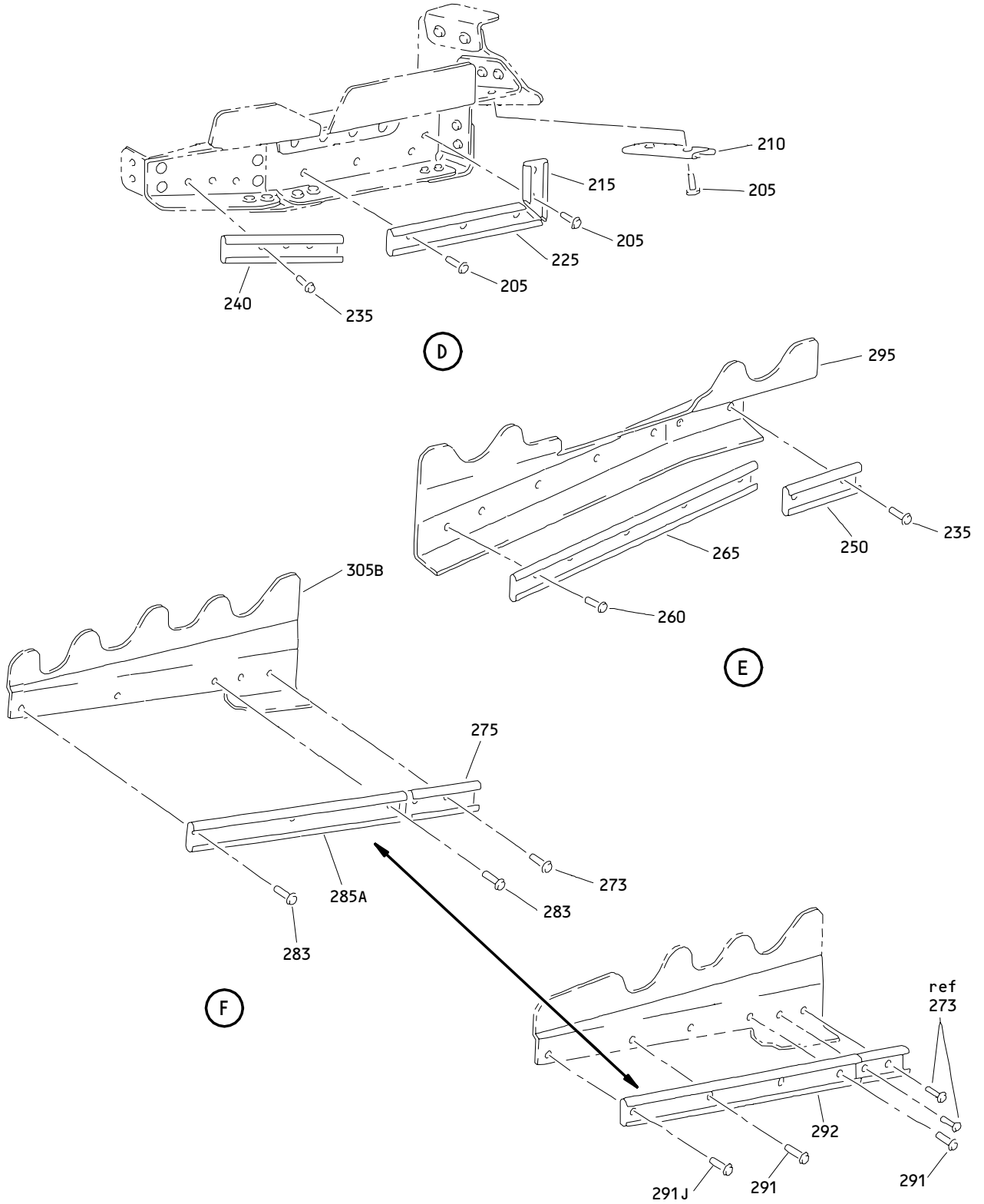
ILLUSTRATED PARTS LIST  
01.1 Page 1056I  
Nov 01/04



Engine Outboard Side Fan Duct Cowl Upper Bifurcation Seal Installation  
 Figure 6 (Sheet 2)

**71-11-56**

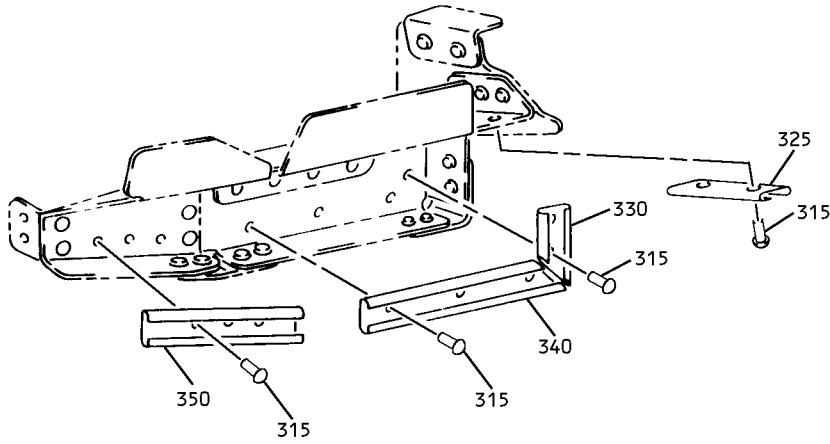
ILLUSTRATED PARTS LIST  
 01.1 Page 1056J  
 Nov 01/04



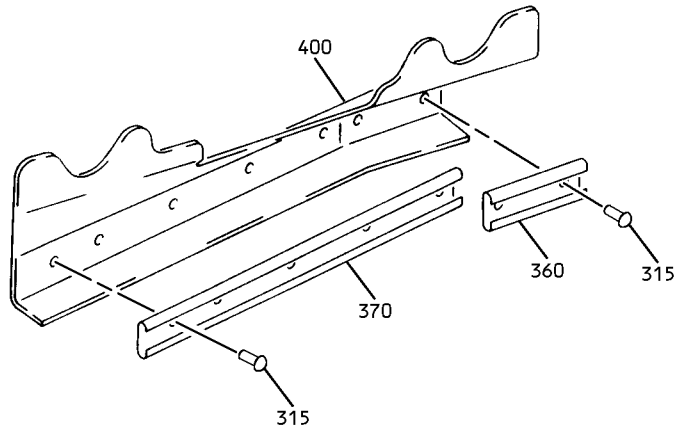
Engine Outboard Side Fan Duct Cowl Upper Bifurcation Seal Installation  
Figure 6 (Sheet 3)

**71-11-56**

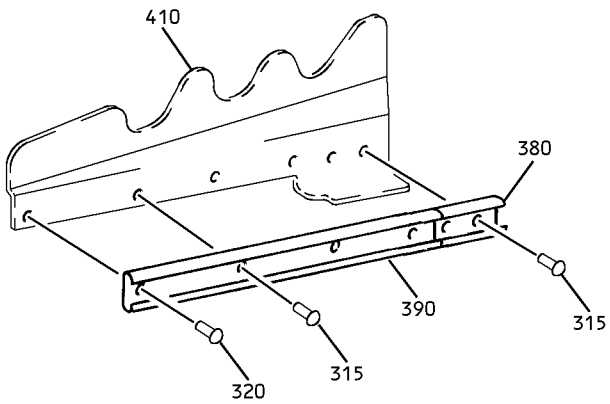
ILLUSTRATED PARTS LIST  
01.1 Page 1056K  
Nov 01/04



G



H



J

Engine Outboard Side Fan Duct Cowl Upper Bifurcation Seal Installation  
 Figure 6 (Sheet 4)





**BOEING**  
COMPONENT  
MAINTENANCE MANUAL

| FIG. & ITEM | PART NO.      | AIRLINE PART NUMBER | NOMENCLATURE<br>1234567  | EFF CODE  | QTY PER ASSY |
|-------------|---------------|---------------------|--|---|--------------|
| 06-<br>-1   | 315T3318-5007 |                     | SEAL INSTL-ENG OUTBD SIDE<br>FAN DUCT COWL UPR<br>BIFURCATION<br>(LIMITED) | A   | RF           |
| -1A         | 315T3318-5009 |                     | SEAL INSTL-ENG OUTBD SIDE<br>FAN DUCT COWL UPR<br>BIFURCATION<br>(LIMITED) | A   | RF           |
| -1B         | 315T3318-5011 |                     | SEAL INSTL-ENG OUTBD SIDE<br>FAN DUCT COWL UPR<br>BIFURCATION<br>(LIMITED) | A   | RF           |
| -1C         | 315T3318-5013 |                     | SEAL INSTL-ENG OUTBD SIDE<br>FAN DUCT COWL UPR<br>BIFURCATION<br>(LIMITED) | A   | RF           |
| -1D         | 315T3318-187  |                     | SEAL INSTL-ENG OUTBD SIDE<br>FAN DUCT COWL UPR<br>BIFURCATION              | B-D, J<br>,M, AE<br>,AF, A<br>J, AK                   | RF           |
| -1E         | 315T3318-197  |                     | SEAL INSTL-ENG OUTBD SIDE<br>FAN DUCT COWL UPR<br>BIFURCATION              | K, L, N<br>,V, Y,<br>Z, A<br>N-AR                     | RF           |
| -1F         | 315T3318-5015 |                     | SEAL INSTL-ENG OUTBD SIDE<br>FAN DUCT COWL UPR<br>BIFURCATION<br>(LIMITED) | A   | RF           |
| -1G         | 315T3318-187  |                     | SEAL INSTL-ENG OUTBD SIDE<br>FAN DUCT COWL UPR<br>BIFURCATION<br>(LIMITED) | AW, AY  | RF           |
| -1H         | 315T3318-197  |                     | SEAL INSTL-ENG OUTBD SIDE<br>FAN DUCT COWL UPR<br>BIFURCATION<br>(LIMITED) | AW, AY<br>,BA, B<br>E                                 | RF           |
| -1J         | 315T3318-231  |                     | SEAL INSTL-ENG OUTBD SIDE<br>FAN DUCT COWL UPR<br>BIFURCATION              | BB, BF<br>,BJ, B<br>K, BN,<br>BP, BS<br>,BT<br>BW, BX | RF           |

71-11-56

ILLUSTRATED PARTS LIST  
01.1 Page 1056M  
Nov 01/04

| FIG. & ITEM | PART NO.     | AIRLINE PART NUMBER | NOMENCLATURE<br>1234567   | EFF CODE            | QTY PER ASSY |
|-------------|--------------|---------------------|---|---------------------|--------------|
| 06-<br>-1K  | 315T3318-231 |                     | SEAL INSTL-ENG OUTBD SIDE<br>FAN DUCT COWL UPR<br>BIFURCATION<br>(LIMITED)  | BA, BE              | RF           |
| -1L         | 315T3318-269 |                     | SEAL INSTL-ENG OUTBD SIDE<br>FAN DUCT COWL UPR<br>BIFURCATION   | CA-CC<br>,CT-C<br>V | RF           |
| -1M         | 315T3318-273 |                     | SEAL INSTL-ENG OUTBD SIDE<br>FAN DUCT COWL UPR<br>BIFURCATION<br>(NHA 315T4295, REF<br>COLLECTOR CMM 78-31-47)<br>(NHA 315U4295, REF<br>COLLECTOR CMM 78-31-48) | DS, DT              | RF           |
| -1N         | 315T3318-277 |                     | SEAL INSTL-ENG OUTBD SIDE<br>FAN DUCT COWL UPR<br>BIFURCATION<br>(NHA 315U4295, REF<br>COLLECTOR CMM 78-31-48)  | DT                  | RF           |
| -1P         | 315T3318-279 |                     | SEAL INSTL-ENG OUTBD SIDE<br>FAN DUCT COWL UPR<br>BIFURCATION<br>(NHA 315U4295, REF<br>COLLECTOR CMM 78-31-48)  | DT                  | RF           |
| -1Q         | 315T3318-281 |                     | SEAL INSTL-ENG OUTBD SIDE<br>FAN DUCT COWL UPR<br>BIFURCATION<br>(NHA 315U4295, REF<br>COLLECTOR CMM 78-31-48)  | DT                  | RF           |
| -1R         | 315T3318-283 |                     | SEAL INSTL-ENG OUTBD SIDE<br>FAN DUCT COWL UPR<br>BIFURCATION<br>(NHA 315U4295, REF<br>COLLECTOR CMM 78-31-48)  | DT                  | RF           |
| -1S         | 315T3318-285 |                     | SEAL INSTL-ENG OUTBD SIDE<br>FAN DUCT COWL UPR<br>BIFURCATION<br>(NHA 315T4295, REF<br>COLLECTOR CMM 78-31-47)  | DS                  | RF           |
| -1T         | 315T3318-287 |                     | SEAL INSTL-ENG OUTBD SIDE<br>FAN DUCT COWL UPR<br>BIFURCATION<br>(NHA 315T4295, REF<br>COLLECTOR CMM 78-31-47)  | DS                  | RF           |

# 71-11-56

 ILLUSTRATED PARTS LIST  
 01.1 Page 1056N  
 Nov 01/04

| FIG. & ITEM | PART NO.      | AIRLINE PART NUMBER | NOMENCLATURE<br>1234567  | EFF CODE   | QTY PER ASSY |
|-------------|---------------|---------------------|--|--|--------------|
| 06-<br>-5   | 315T3318-5008 |                     | SEAL INSTL-ENG OUTBD SIDE<br>FAN DUCT COWL UPR<br>BIFURCATION<br>(LIMITED) | E  | RF           |
| -5A         | 315T3318-5010 |                     | SEAL INSTL-ENG OUTBD SIDE<br>FAN DUCT COWL UPR<br>BIFURCATION<br>(LIMITED) | E  | RF           |
| -5B         | 315T3318-188  |                     | SEAL INSTL-ENG OUTBD SIDE<br>FAN DUCT COWL UPR<br>BIFURCATION              | F,H,Q<br>,T,AA<br>,AG,A<br>H,AL,<br>AM           | RF           |
| -5C         | 315T3318-198  |                     | SEAL INSTL-ENG OUTBD SIDE<br>FAN DUCT COWL UPR<br>BIFURCATION              | R,U,W<br>,X,AC<br>,AD,A<br>S-AV                  | RF           |
| -5D         | 315T3318-5014 |                     | SEAL INSTL-ENG OUTBD SIDE<br>FAN DUCT COWL UPR<br>BIFURCATION<br>(LIMITED) | E  | RF           |
| -5E         | 315T3318-188  |                     | SEAL INSTL-ENG OUTBD SIDE<br>FAN DUCT COWL UPR<br>BIFURCATION<br>(LIMITED) | AX,AZ  | RF           |
| -5F         | 315T3318-198  |                     | SEAL INSTL-ENG OUTBD SIDE<br>FAN DUCT COWL UPR<br>BIFURCATION<br>(LIMITED) | AX,AZ<br>,BC,B<br>G                              | RF           |
| -5G         | 315T3318-232  |                     | SEAL INSTL-ENG OUTBD SIDE<br>FAN DUCT COWL UPR<br>BIFURCATION              | BD,BH<br>,BL,B<br>M,BQ,<br>BR,BU<br>,BV<br>BY,BZ | RF           |
| -5H         | 315T3318-232  |                     | SEAL INSTL-ENG OUTBD SIDE<br>FAN DUCT COWL UPR<br>BIFURCATION<br>(LIMITED) | BC,BG  | RF           |
| -5J         | 315T3318-270  |                     | SEAL INSTL-ENG OUTBD SIDE<br>FAN DUCT COWL UPR<br>BIFURCATION              | CH-CK<br>,DA-<br>DC                              | RF           |

71-11-56

ILLUSTRATED PARTS LIST  
01.1 Page 10560  
Nov 01/04

| FIG. & ITEM | PART NO.     | AIRLINE PART NUMBER | NOMENCLATURE<br>1234567   | EFF CODE | QTY PER ASSY |
|-------------|--------------|---------------------|---|----------|--------------|
| 06-<br>-5K  | 315T3318-274 |                     | SEAL INSTL-ENG OUTBD SIDE<br>FAN DUCT COWL UPR<br>BIFURCATION<br>(NHA 315T4295, REF<br>COLLECTOR CMM 78-31-47)<br>(NHA 315U4295, REF<br>COLLECTOR CMM 78-31-48) | DU,DV    | RF           |
| -5L         | 315T3318-278 |                     | SEAL INSTL-ENG OUTBD SIDE<br>FAN DUCT COWL UPR<br>BIFURCATION<br>(NHA 315U4295, REF<br>COLLECTOR CMM 78-31-48)  | DV       | RF           |
| -5M         | 315T3318-280 |                     | SEAL INSTL-ENG OUTBD SIDE<br>FAN DUCT COWL UPR<br>BIFURCATION<br>(NHA 315U4295, REF<br>COLLECTOR CMM 78-31-48)  | DV       | RF           |
| -5N         | 315T3318-282 |                     | SEAL INSTL-ENG OUTBD SIDE<br>FAN DUCT COWL UPR<br>BIFURCATION<br>(NHA 315U4295, REF<br>COLLECTOR CMM 78-31-48)  | DV       | RF           |
| -5P         | 315T3318-284 |                     | SEAL INSTL-ENG OUTBD SIDE<br>FAN DUCT COWL UPR<br>BIFURCATION<br>(NHA 315U4295, REF<br>COLLECTOR CMM 78-31-48)  | DV       | RF           |
| -5Q         | 315T3318-286 |                     | SEAL INSTL-ENG OUTBD SIDE<br>FAN DUCT COWL UPR<br>BIFURCATION<br>(NHA 315T4295, REF<br>COLLECTOR CMM 78-31-47)  | DU       | RF           |
| -5R         | 315T3318-288 |                     | SEAL INSTL-ENG OUTBD SIDE<br>FAN DUCT COWL UPR<br>BIFURCATION<br>(NHA 315T4295, REF<br>COLLECTOR CMM 78-31-47)  | DU       | RF           |

# 71-11-56

 ILLUSTRATED PARTS LIST  
 01.1 Page 1056P  
 Nov 01/04

 **BOEING**  
COMPONENT  
MAINTENANCE MANUAL

| FIG. & ITEM | PART NO. | AIRLINE PART NUMBER | NOMENCLATURE<br>1234567   | EFF CODE   | QTY PER ASSY |
|-------------|----------|---------------------|---|--|--------------|
| 06-10       | 8425-180 |                     | .SEAL-<br>(V11960)<br>(SPEC S315T107-180)<br>(8425-180 MAY REPLACE<br>8425-65 TOGETHER WITH<br>8425-53, 8425-55,<br>8425-57, 8425-59,<br>8425-61 AND 8425-63)<br>(USED ON ITEMS 1, 1A,<br>1B, 1C, 1D, 1F, 1G) | A-D, J<br>,M, AE<br>,AF, A<br>J, AK,<br>AW, AY           | 1            |
| -15         | 8425-181 |                     | .SEAL-<br>(V11960)<br>(SPEC S315T107-181)<br>(8425-181 MAY REPLACE<br>8425-65 TOGETHER WITH<br>8425-54, 8425-56,<br>8425-58, 8425-60,<br>8425-62 AND 8425-64)<br>(USED ON ITEMS 5, 5A,<br>5B, 5D, 5E)         | E, F, H<br>,Q, T,<br>AA, AG<br>,AH, A<br>L, AM<br>AX, AZ | 1            |
| 20          | 8425-182 |                     | .SEAL-<br>(V11960)<br>(SPEC S315T107-182)<br>(USED ON ITEMS 1, 1A,<br>1B, 1C, 1D, 1F, 1G)   | A-D, J<br>,M, AE<br>,AF, A<br>J, AK,<br>AW, AY           | 1            |
| -25         | 8425-183 |                     | .SEAL-<br>(V11960)<br>(SPEC S315T107-183)<br>(USED ON ITEMS 5, 5A,<br>5B, 5D, 5E)   | F, H, Q<br>,T, AA<br>,AG, A<br>H, AL,<br>AM, AX<br>AZ    | 1            |

**71-11-56**

ILLUSTRATED PARTS LIST  
01.1 Page 1056Q  
Nov 01/04

| FIG. & ITEM | PART NO.     | AIRLINE PART NUMBER | NOMENCLATURE<br>1234567  | EFF CODE   | QTY PER ASSY |
|-------------|--------------|---------------------|--|--|--------------|
| 06-27       | 315T3318-179 |                     | .SEAL-<br>(USED ON ITEMS 1A, 1C,<br>1D, 1F, 1G, 5B, 5D, 5E)  | A-F,H<br>,J,M,<br>Q,T,A<br>A,A<br>F-AH<br>AK-AM                | 1            |
| -27A        | 315T3318-179 |                     | DELETED  |  |              |
| 28          | S315T107-209 |                     | DELETED  |  |              |
| 28A         | 8425-209     |                     | .SEAL-<br>(V11960)<br>(SPEC S315T107-209)<br>(USED ON ITEMS 1E, 1H)  | K,L,N<br>,V,Y,<br>Z,A<br>N-AR,<br>BA,BE                        | 1            |
| -28B        | S315T107-221 |                     | DELETED  |  |              |
| -28C        | 315U4009-25  |                     | .SEAL-<br>(LIMITED)<br>(OPT ITEM 28F)<br>(USED ON ITEMS 1J, 1K)  | BA,BB<br>,BE,B<br>F,BJ,<br>BK,BN<br>,BP<br>BS,BT<br>,BW,B<br>X | 1            |
| -28D        | 8425-209     |                     | .SEAL-<br>(V11960)<br>(SPEC S315T107-209)<br>(REWORK DWG<br>315U4009-9,<br>315U4009-11)<br>(USED ON ITEM 1D) | AE,AJ  | 1            |

# 71-11-56

 ILLUSTRATED PARTS LIST  
 01.1 Page 1056R  
 Nov 01/04

 **BOEING**  
COMPONENT  
MAINTENANCE MANUAL

| FIG. & ITEM         | PART NO.                 | AIRLINE PART NUMBER | NOMENCLATURE<br>1234567   | EFF CODE   | QTY PER ASSY |
|---------------------|--------------------------|---------------------|---|--|--------------|
| 06-<br>-28E<br>-28F | 8425-221<br>B150-221     |                     | DELETED<br>.SEAL-<br>(LIMITED)<br>(V04827)<br>(SPEC S315T107-221)<br>(OPT 8425-221<br>(V11960))<br>(OPT ITEM 28C)<br>(USED ON ITEMS 1J, 1K) | BA, BB<br>,BE, B<br>F, BJ,<br>BK, BN<br>,BP<br>BS, BT<br>,BW, B<br>X | 1            |
| -28G                | B150-221                 |                     | .SEAL-<br>(V04827)<br>(SPEC S315T107-221)<br>(OPT 8425-221<br>(V11960))   | CA-CC<br>,CT-C<br>V, DS,<br>DT                                       | 1            |
| -28J                | 315U4009-25              |                     | .SEAL-<br>(REWORK DWG<br>315U4009-21,<br>315U4009-23)<br>(USED ON ITEM 1H)  | AW, AY   | 1            |
| -29<br>-29A         | S315T107-210<br>8425-210 |                     | DELETED<br>.SEAL-<br>(V11960)<br>(SPEC S315T107-210)<br>(USED ON ITEMS 5C, 5F)  | R, U, W<br>,X, AC<br>,AD, A<br>S-AV,<br>BC, BG<br>AX, AZ             | 1            |
| -29B                | 315U4009-26              |                     | .SEAL-<br>(REWORK DWG<br>315U4009-22,<br>315U4009-24)<br>(USED ON ITEM 5F)  |  | 1            |

71-11-56

ILLUSTRATED PARTS LIST  
01.1 Page 1056S  
Nov 01/04

| FIG. & ITEM         | PART NO.                    | AIRLINE PART NUMBER | NOMENCLATURE  | EFF CODE   | QTY PER ASSY |
|---------------------|-----------------------------|---------------------|---|--|--------------|
| 06-<br>-29C<br>-29D | S315T107-222<br>315U4009-26 |                     | 1234567<br><br>DELETED<br>.SEAL-<br>(LIMITED)<br>(OPT ITEM 29G)<br>(USED ON ITEMS 5G, 5H)                     | BC,BD<br>,BG,B<br>H,BL,<br>BM,BQ<br>,BR<br>BU,BV<br>,BY,B<br>Z | 1            |
| -29E                | 8425-210                    |                     | .SEAL-<br>(V11960)<br>(SPEC S315T107-210)<br>(REWORK DWG<br>315U4009-12,<br>315U4009-14)<br>(USED ON ITEM 5B) | AG,AL  | 1            |
| -29F<br>-29G        | 8425-222<br>B150-222        |                     | DELETED<br>.SEAL-<br>(LIMITED)<br>(V04827)<br>(SPEC S315T107-222)<br>(OPT ITEM 29D)<br>(USED ON ITEMS 5G, 5H) | BC,BD<br>,BG,B<br>H,BL,<br>BM,BQ<br>,BR<br>BU,BV<br>,BY,B<br>Z | 1            |
| -29H                | B150-222                    |                     | .SEAL-<br>(V04827)<br>(SPEC S315T107-222)<br>(OPT 8425-222<br>(V11960))                                       | CH-CK<br>,DA-<br>DC,DU<br>,DV                                  | 1            |

# 71-11-56

 ILLUSTRATED PARTS LIST  
 01.1 Page 1056T  
 Nov 01/04



**BOEING**  
COMPONENT  
MAINTENANCE MANUAL

| FIG. & ITEM  | PART NO.                    | AIRLINE PART NUMBER | NOMENCLATURE             | EFF CODE  | QTY PER ASSY |
|--------------|-----------------------------|---------------------|--------------------------|---|--------------|
|              |                             |                     | 1234567                  |   |              |
| 06-30<br>30A | 315T3319-25<br>315T3318-195 |                     | DELETED<br>.SUPPORT ASSY | A-D,<br>J-N,V<br>,Y,Z,<br>AE,AF<br>,AJ,A<br>K<br>AN-AR<br>,AW,A<br>Y,BA,<br>BB,BE<br>,BF<br>BJ,BK<br>,BN,B<br>P,BS,<br>BT,BW<br>,BX<br>CA-CC<br>,CT-C<br>V,DS,<br>DT              | 1            |
| -35          | 315T3319-26                 |                     | .SUPPORT ASSY            | E,F,H<br>,Q,R,<br>T,U,W<br>,X,AA<br>,AC<br>AD,AG<br>,AH,A<br>L,AM,<br>AT-AX<br>,AZ<br>BC,BD<br>,BG,B<br>H,BL,<br>BM,BQ<br>,BR<br>BU,BV<br>,BY,B<br>Z,C<br>H-CK,<br>DA-DC<br>DU,DV | 1            |

71-11-56

ILLUSTRATED PARTS LIST  
01.1 Page 1056U  
Nov 01/04

| FIG. & ITEM | PART NO.   | AIRLINE PART NUMBER | NOMENCLATURE                                    | EFF CODE   | QTY PER ASSY |
|-------------|------------|---------------------|---|--|--------------|
| 06-40       | BACR15CE3M |                     | 1234567<br>..RIVET-<br>(SIZE DETERMINE ON INST) | A-F,<br>H-N,Q<br>,R,<br>T-AA,<br>AC-CC<br>CH-CK<br>,CT-C<br>V,D<br>A-DC,<br>DS-DV  | 3            |
| 45          | 315T3319-6 |                     | ..RETAINER                                      | A-D,<br>J-N,V<br>,Y,Z,<br>AE,AF<br>,AJ,A<br>K<br>AN-AR<br>,AW,A<br>Y,BA,<br>BB,BE<br>,BF<br>BJ,BK<br>,BN,B<br>P,BS,<br>BT,BW<br>,BX<br>CA-CC<br>,CT-C<br>V,DS,<br>DT | 1            |

# 71-11-56

 ILLUSTRATED PARTS LIST  
 01.1 Page 1056V  
 Nov 01/04

**BOEING**  
COMPONENT  
MAINTENANCE MANUAL

| FIG. & ITEM | PART NO.     | AIRLINE PART NUMBER | NOMENCLATURE          | EFF CODE   | QTY PER ASSY |
|-------------|--------------|---------------------|-----------------------|--|--------------|
| 06-50       | 315T3319-7   |                     | 1234567<br>..RETAINER | E, F, H<br>, Q, R<br>, T, U, W<br>, X, AA<br>, AC<br>AD, AG<br>, AH, A<br>L, AM<br>AT-AX<br>, AZ<br>BC, BD<br>, BG, B<br>H, BL<br>BM, BQ<br>, BR<br>BU, BV<br>, BY, B<br>Z, C<br>H-CK<br>DA-DC<br>DU, DV | 1            |
| 53          | 315T3318-196 |                     | ..PLATE               | A-D<br>J-N, V<br>, Y, Z<br>AE, AF<br>, AJ, A<br>K<br>AN-AR<br>, AW, A<br>Y, BA<br>BB, BE<br>, BF<br>BJ, BK<br>, BN, B<br>P, BS<br>BT, BW<br>, BX<br>CA-CC<br>, CT-C<br>V, DS<br>DT                       | 1            |

71-11-56

ILLUSTRATED PARTS LIST  
01.1 Page 1056W  
Nov 01/04

| FIG. & ITEM | PART NO.    | AIRLINE PART NUMBER | NOMENCLATURE                                   | EFF CODE   | QTY PER ASSY |
|-------------|-------------|---------------------|--|--|--------------|
| 06-55       | 315T3319-8  |                     | 1234567<br>..SHEET                             | E, F, H<br>, Q, R,<br>T, U, W<br>, X, AA<br>, AC<br>AD, AG<br>, AH, A<br>L, AM,<br>AT-AX<br>, AZ<br>BC, BD<br>, BG, B<br>H, BL,<br>BM, BQ<br>, BR<br>BU, BV<br>, BY, B<br>Z, C<br>H-CK,<br>DA-DC<br>DU, DV | 1            |
| 60          | 315T3319-31 |                     | .BRACKET ASSY-<br>(USED ON ITEMS 1, 1B,<br>1F) | A  | 1            |
| -60A        | 315T3319-53 |                     | .BRACKET ASSY-<br>(USED ON ITEMS 1A, 1C)       | A  | 1            |

# 71-11-56

 ILLUSTRATED PARTS LIST  
 01.1 Page 1056X  
 Nov 01/04

| FIG. & ITEM | PART NO.     | AIRLINE PART NUMBER | NOMENCLATURE              | EFF CODE   | QTY PER ASSY |
|-------------|--------------|---------------------|---------------------------|--|--------------|
| 06-<br>-60B | 315T3319-53  |                     | .BRACKET ASSY             | B-D,<br>J-N,V<br>,Y,Z,<br>AE,AF<br>,AJ,A<br>K<br>AN-AR<br>,AW,A<br>Y,BA,<br>BB,BE<br>,BF<br>BJ,BK<br>,BN,B<br>P,BS,<br>BT,BW<br>,BX<br>CA-CC<br>,CT-C<br>V,DS,<br>DT | 1            |
| 65          | BACS12CK06U5 |                     | ATTACHING PARTS<br>.SCREW | A-D,<br>J-N,V<br>,Y,Z,<br>AE,AF<br>,AJ,A<br>K<br>AN-AR<br>,AW,A<br>Y,BA,<br>BB,BE<br>,BF<br>BJ,BK<br>,BN,B<br>P,BS,<br>BT,BW<br>,BX<br>CA-CC<br>,CT-C<br>V,DS,<br>DT | 2            |

**71-11-56**

ILLUSTRATED PARTS LIST

01.1 Page 1056Y

Nov 01/04

| FIG. & ITEM | PART NO.    | AIRLINE PART NUMBER | NOMENCLATURE            | EFF CODE   | QTY PER ASSY |
|-------------|-------------|---------------------|-------------------------|--|--------------|
| 06-70       | AN960C6     |                     | .WASHER                 | A-D,<br>J-N,V<br>,Y,Z,<br>AE,AF<br>,AJ,A<br>K<br>AN-AR<br>,AW,A<br>Y,BA,<br>BB,BE<br>,BF<br>BJ,BK<br>,BN,B<br>P,BS,<br>BT,BW<br>,BX<br>CA-CC<br>,CT-C<br>V,DS,<br>DT | 2            |
| 75          | 315T3319-32 |                     | -----*-----<br>.BRACKET | A-D,<br>J-N,V<br>,Y,Z,<br>AE,AF<br>,AJ,A<br>K<br>AN-AR<br>,AW,A<br>Y,BA,<br>BB,BE<br>,BF<br>BJ,BK<br>,BN,B<br>P,BS,<br>BT,BW<br>,BX<br>CA-CC<br>,CT-C<br>V,DS,<br>DT | 1            |

# 71-11-56

 ILLUSTRATED PARTS LIST  
 01.1 Page 1056Z  
 Nov 01/04

**BOEING**  
COMPONENT  
MAINTENANCE MANUAL

| FIG. & ITEM | PART NO.    | AIRLINE PART NUMBER | NOMENCLATURE                                     | EFF CODE   | QTY PER ASSY |
|-------------|-------------|---------------------|--|--|--------------|
|             |             |                     | 1234567  |  |              |
| 06-80       | 315T3319-20 |                     | ..SHEET  | A-D,<br>J-N,V<br>,Y,Z,<br>AE,AF<br>,AJ,A<br>K<br>AN-AR<br>,AW,A<br>Y,BA,<br>BB,BE<br>,BF<br>BJ,BK<br>,BN,B<br>P,BS,<br>BT,BW<br>,BX<br>CA-CC<br>,CT-C<br>V,DS,<br>DT | 1            |
| 85          | 315T3319-47 |                     | .SUPPORT ASSY-<br>(USED ON ITEM 1)               | A  | 1            |
| -85A        | 315T3319-47 |                     | .SUPPORT ASSY-<br>(LIMITED)<br>(USED ON ITEM 1B) | A  | 1            |
| -85B        | 315T3319-51 |                     | .SUPPORT ASSY-<br>(LIMITED)<br>(USED ON ITEM 1B) | A  | 1            |
| -85C        | 315T3319-51 |                     | .SUPPORT ASSY-<br>(USED ON ITEMS 1A, 1C,<br>1F)  | A  | 1            |
| -85D        | 315T3319-57 |                     | DELETED  |  |              |

71-11-56

ILLUSTRATED PARTS LIST  
01.1 Page 1057  
Nov 01/04

| FIG. & ITEM | PART NO.    | AIRLINE PART NUMBER | NOMENCLATURE<br>1234567                               | EFF CODE   | QTY PER ASSY |
|-------------|-------------|---------------------|---|--|--------------|
| 06-85E      | 315T3319-61 |                     | .SUPPORT ASSY-<br>(USED ON ITEMS 1D, 1G)              | B-D,J<br>,M,AE<br>,AF,A<br>J,AK,<br>AW,AY                      | 1            |
| -85F        | 315T3319-63 |                     | .SUPPORT ASSY-<br>(LIMITED)<br>(USED ON ITEMS 1E, 1H) | K,L,N<br>,V,Y,<br>Z,A<br>N-AR,<br>AW,AY<br>BA,BE               | 1            |
| -85G        | 315T3319-67 |                     | .SUPPORT ASSY-<br>(LIMITED)<br>(USED ON ITEMS 1E, 1H) | K,L,N<br>,V,Y,<br>Z,A<br>N-AR,<br>AW,AY<br>BA,BE               | 1            |
| -85H        | 315T3319-67 |                     | .SUPPORT ASSY-<br>(LIMITED)<br>(USED ON ITEMS 1J, 1K) | BA,BB<br>,BE,B<br>F,BJ,<br>BK,BN<br>,BP<br>BS,BT<br>,BW,B<br>X | 1            |
| -85J        | 315T3319-71 |                     | .SUPPORT ASSY-<br>(LIMITED)<br>(USED ON ITEMS 1J, 1K) | BA,BB<br>,BE,B<br>F,BJ,<br>BK,BN<br>,BP<br>BS,BT<br>,BW,B<br>X | 1            |
| -85K        | 315T3319-71 |                     | .SUPPORT ASSY   | CA-CC<br>,CT-C<br>V,DS,<br>DT                                  | 1            |
| -90         | 315T3319-48 |                     | .SUPPORT ASSY   | E  | 1            |
| -90A        | 315T3319-54 |                     | DELETED   |  |              |
| -90B        | 315T3319-60 |                     | .SUPPORT ASSY-<br>(USED ON ITEM 5B, 5E)               | F,H,Q<br>,T,AA<br>,AG,A<br>H,AL,<br>AM,AX<br>AZ                | 1            |

# 71-11-56

 ILLUSTRATED PARTS LIST  
 01.1 Page 1058  
 Nov 01/04





**BOEING**  
COMPONENT  
MAINTENANCE MANUAL

| FIG. & ITEM | PART NO.     | AIRLINE PART NUMBER | NOMENCLATURE<br>1234567  | EFF CODE   | QTY PER ASSY |
|-------------|--------------|---------------------|--|--|--------------|
| 06-<br>-90C | 315T3319-64  |                     | .SUPPORT ASSY-<br>(LIMITED)<br>(USED ON ITEMS 5C, 5F)  | R,U,W<br>,X,AC<br>,AD,A<br>S-AV,<br>AX,AZ<br>BC,BG             | 1            |
| -90D        | 315T3319-68  |                     | .SUPPORT ASSY-<br>(LIMITED)<br>(USED ON ITEMS 5C, 5F)  | R,U,W<br>,X,AC<br>,AD,A<br>S-AV,<br>AX,AZ<br>BC,BG             | 1            |
| -90E        | 315T3319-68  |                     | .SUPPORT ASSY-<br>(USED ON ITEMS 5G, 5H)   | BC,BD<br>,BG,B<br>H,BL,<br>BM,BQ<br>,BR<br>BU,BV<br>,BY,B<br>Z | 1            |
| -90F        | 315T3319-68  |                     | .SUPPORT ASSY  | CH-CK<br>,DA-<br>DC,DU<br>,DV                                  | 1            |
| 95          | BACS12CK06U5 |                     | ATTACHING PARTS<br>.SCREW-<br>(USED ON ITEMS 1, 1A,<br>1B, 1C, 1D, 1F, 1G, 5,<br>5A, 5B, 5D, 5E) | A-F,H<br>,J,M,<br>Q,T,A<br>A,A<br>E-AM<br>AW-AZ                | 2            |
| 100         | AN760C6      |                     | .WASHER-<br>(USED ON ITEMS 1, 1A,<br>1B, 1C, 1D, 1F, 1G, 5,<br>5A, 5B, 5D, 5E)                   | A-F,H<br>,J,M,<br>Q,T,A<br>A,A<br>E-AM<br>AW-AZ                | 2            |

71-11-56

| FIG. & ITEM | PART NO.   | AIRLINE PART NUMBER | NOMENCLATURE<br>1234567  | EFF CODE   | QTY PER ASSY |
|-------------|------------|---------------------|--|--|--------------|
| 06-105      | BRH10C06   |                     | .NUT-<br>(V52828)<br>(SPEC BACN10JC06C)<br>(OPT 97-62<br>(V80539))<br>(OPT 101LH9075-62W<br>(V72962))<br>(OPT VN303B62<br>(V92215))<br>(OPT NS202101S62<br>(V80539))<br>(OPT H31-06BAC<br>(V15653))<br>(OPT T6C632J<br>(V11815))<br>(USED ON ITEMS 1, 1A,<br>1B, 1C, 1D, 1F, 1G, 5,<br>5A, 5B, 5D, 5E) | A-F, H<br>, J, M,<br>Q, T, A<br>A, A<br>E-AM<br>AW-AZ          | 2            |
| 107         | MS20615-3M |                     | .RIVET-<br>(SIZE DETERMINE ON INST)<br>(USED ON ITEMS 1E, 1H,<br>1J, 1K, 1L, 5C, 5F, 5G,<br>5H, 5J)  | K, L, N<br>, R,<br>U-Z, A<br>C, AD,<br>AN-CK<br>DA-DC<br>DS-DV | 2            |
| -107A       | MS20615-3M |                     | .RIVET-<br>(SIZE DETERMINE ON INST)<br>-----*-----   |  | 2            |

# 71-11-56

 ILLUSTRATED PARTS LIST  
 01.1 Page 1058B  
 Nov 01/04

 **BOEING**  
COMPONENT  
MAINTENANCE MANUAL

| FIG. & ITEM | PART NO.    | AIRLINE PART NUMBER | NOMENCLATURE   | EFF CODE   | QTY PER ASSY |
|-------------|-------------|---------------------|--|--|--------------|
| 06-110      | BACR15CE3M  |                     | 1234567<br>..RIVET-<br>(SIZE DETERMINE ON INST)  | A-D,<br>J-N,V<br>,Y,Z,<br>AE,AF<br>,AJ,A<br>K<br>AN-AR<br>,AW,A<br>Y,BA,<br>BB,BE<br>,BF<br>BJ,BK<br>,BN,B<br>P,BS,<br>BT,BW<br>,BX<br>CA-CC<br>,CT-C<br>V,DS,<br>DT | 4            |
| 115         | BRM100C06LM |                     | ..NUTPLATE-<br>(V52828)<br>(SPEC BACN10JP06BCM)<br>(OPT MK2001-06BAC<br>(V15653))<br>(OPT NS103198SE62<br>(V80539))<br>(OPT T8081C632<br>(V11815))<br>(OPT VN201D1-62L<br>(V92215))<br>(OPT 109A9207M62<br>(V72962)) | A-D,<br>J-N,V<br>,Y,Z,<br>AE,AF<br>,AJ,A<br>K<br>AN-AR<br>,AW,A<br>Y,BA,<br>BB,BE<br>,BF<br>BJ,BK<br>,BN,B<br>P,BS,<br>BT,BW<br>,BX<br>CA-CC<br>,CT-C<br>V,DS,<br>DT | 2            |

71-11-56

ILLUSTRATED PARTS LIST  
01.1 Page 1058C  
Nov 01/04

| FIG. & ITEM | PART NO.   | AIRLINE PART NUMBER | NOMENCLATURE                                    | EFF CODE   | QTY PER ASSY |
|-------------|------------|---------------------|---|--|--------------|
| 06-120      | BACR15CE3M |                     | 1234567<br>..RIVET-<br>(SIZE DETERMINE ON INST) | A-D,<br>J-N,V<br>,Y,Z,<br>AE,AF<br>,AJ,A<br>K<br>AN-AR<br>,AW,A<br>Y,BA,<br>BB,BE<br>,BF<br>BJ,BK<br>,BN,B<br>P,BS,<br>BT,BW<br>,BX<br>CA-CC<br>,CT-C<br>V,DS,<br>DT                     | 7            |
| -125        | MS20615-3M |                     | ..RIVET-<br>(SIZE DETERMINE ON INST)            | E,F,H<br>,Q,R,<br>T,U,W<br>,X,AA<br>,AC<br>AD,AG<br>,AH,A<br>L,AM,<br>AS-AV<br>,AX<br>AZ,BC<br>,BD,B<br>G,BH,<br>BL,BM<br>,BQ<br>BR,BU<br>,BV,B<br>Y,BZ,<br>CH-CK<br>DA-DC<br>,DU,D<br>V | 7            |

# 71-11-56

 ILLUSTRATED PARTS LIST  
 01.1 Page 1058D  
 Nov 01/04

 **BOEING**  
COMPONENT  
MAINTENANCE MANUAL

| FIG. & ITEM | PART NO.    | AIRLINE PART NUMBER | NOMENCLATURE   | EFF CODE   | QTY PER ASSY |
|-------------|-------------|---------------------|--|--|--------------|
| 06-130      | 315T3319-42 |                     | 1234567<br>..CHANNEL   | A-F,<br>H-N,Q<br>,R,<br>T-AA,<br>AC-CC<br>CH-CK<br>,CT-C<br>V,D<br>A-DC,<br>DS-DV  | 1            |
| 135         | 315T3319-43 |                     | ..CHANNEL-<br>(USED ON ITEMS 85, 85A,<br>85B, 85C, 85E, 85F, 85G,<br>90, 90B, 90C) | A-F,<br>H-N,Q<br>,R,<br>T-AA,<br>AC-BA<br>BC,BE<br>,BG                             | 1            |
| -135A       | 315T3319-69 |                     | ..CHANNEL-<br>(USED ON ITEMS 85G, 85H,<br>85J, 85K, 90D, 90E, 90F)                 | K,L,N<br>,R,<br>U-Z,A<br>C,AD,<br>AN-CC<br>CH-CK<br>,CT-C<br>V,D<br>A-DC,<br>DS-DV | 1            |
| 140         | 315T3319-44 |                     | ..CHANNEL  | A-F,<br>H-N,Q<br>,R,<br>T-AA,<br>AC-CC<br>CH-CK<br>,CT-C<br>V,D<br>A-DC,<br>DS-DV  | 1            |

**71-11-56**

ILLUSTRATED PARTS LIST  
01.1 Page 1058E  
Nov 01/04

| FIG. & ITEM | PART NO.    | AIRLINE PART NUMBER | NOMENCLATURE<br>1234567  | EFF CODE   | QTY PER ASSY |
|-------------|-------------|---------------------|--|--|--------------|
| 06-145      | 315T3319-41 |                     | ..SHEET-<br>(USED ON ITEMS 85)                                     | A  | 1            |
| -145A       | 315T3319-52 |                     | ..SHEET-<br>(USED ON ITEMS 85B, 85C, 85E, 85F, 85G, 85H, 85J, 85K) | A-D,<br>J-N,V<br>,Y,Z,<br>AE,AF<br>,AJ,A<br>K<br>AN-AR<br>,AW,A<br>Y,BA,<br>BB,BE<br>,BF<br>BJ,BK<br>,BN,B<br>P,BS,<br>BT,BW<br>,BX<br>CA-CC<br>,CT-C<br>V,DS,<br>DT | 1            |
| 150         | 315T3319-13 |                     | ..SHEET-<br>(USED ON ITEM 85)                                      | A  | 1            |
| 155         | 315T3319-49 |                     | ..SHEET-<br>(USED ON ITEMS 85, 85A, 85B, 85C)                      | A  | 1            |
| -155A       | 315T3319-55 |                     | DELETED  |  |              |
| -155B       | 315T3319-59 |                     | ..SHEET-<br>(USED ON ITEM 85E)                                     | B-D,<br>J-M,A<br>E,AF,<br>AJ,AK<br>,AW,A<br>Y  | 1            |

# 71-11-56

 ILLUSTRATED PARTS LIST  
 01.1 Page 1058F  
 Nov 01/04

 **BOEING**  
COMPONENT  
MAINTENANCE MANUAL

| FIG. & ITEM  | PART NO.    | AIRLINE PART NUMBER | NOMENCLATURE<br>1234567                                | EFF CODE  | QTY PER ASSY |
|--------------|-------------|---------------------|--|---|--------------|
| 06-<br>-155C | 315T3319-65 |                     | ..SHEET-<br>(USED ON ITEMS 85F, 85G,<br>85H, 85J, 85K) | K,L,N<br>,V,Y,<br>Z,A<br>N-AR,<br>AW,AY<br>BA,BB<br>,BE,B<br>F,BJ,<br>BK,BN<br>,BP<br>BS,BT<br>,BW,B<br>X,C<br>A-CC,<br>CT-CV<br>DS,DT<br>E | 1            |
| -160         | 315T3319-50 |                     | ..SHEET-<br>(USED ON ITEM 90)                          |   | 1            |
| -160A        | 315T3319-56 |                     | DELETED  |   |              |
| -160B        | 315T3319-58 |                     | ..SHEET-<br>(USED ON ITEM 90B)                         | F,H,Q<br>,T,AA<br>,AG,A<br>H,AL,<br>AM,AX<br>AZ   | 1            |
| -160C        | 315T3319-66 |                     | DELETED  |   |              |
| -160D        | 315T3319-62 |                     | ..SHEET-<br>(USED ON ITEMS 90C, 90D,<br>90E, 90F)      | R,U,W<br>,X,AC<br>,AD,A<br>S-AV,<br>AX,AZ<br>BC,BD<br>,BG,B<br>H,BL,<br>BM,BQ<br>,BR<br>BU,BV<br>,BY,B<br>Z,C<br>H-CK,<br>DA-DC<br>DU,DV    | 1            |

**71-11-56**

ILLUSTRATED PARTS LIST  
01.1 Page 1058G  
Nov 01/04

| FIG. & ITEM         | PART NO.                     | AIRLINE PART NUMBER | NOMENCLATURE<br>1234567   | EFF CODE   | QTY PER ASSY |
|---------------------|------------------------------|---------------------|---|--|--------------|
| 06-<br>165<br>-165A | 315T3318-135<br>315T3318-217 |                     | .FAIRING ASSY<br>.FAIRING ASSY-<br>(USED ON ITEMS 1D, 1G)         | A<br>B-D,J<br>,M,AE<br>,AF,A<br>J,AK,<br>AW<br>AY    | 1<br>1       |
| -170<br>-170A       | 315T3318-136<br>315T3318-218 |                     | .FAIRING ASSY<br>.FAIRING ASSY-<br>(USED ON ITEMS 5B, 5E)         | E<br>F,H,Q<br>,T,AA<br>,AG,A<br>H,AL,<br>AM,AX<br>AZ | 1<br>1       |
| 175                 | BACR15CE3M                   |                     | ..RIVET-<br>(SIZE DETERMINE ON INST)                              | A-F,H<br>,J,M,<br>Q,T,A<br>A,A<br>E-AM<br>AW-AZ      | 3            |
| 180                 | 315T3318-143                 |                     | ..RETAINER-<br>(MFD FROM CRES SH<br>BAC1494-193 F-17.09 X<br>3.7) | A-D,J<br>,M,AE<br>,AF,A<br>J,AK,<br>AW,AY            | 1            |
| -185                | 315T3318-144                 |                     | ..RETAINER-<br>(MFD FROM CRES SH<br>BAC1494-193 F-17.09 X<br>3.7) | E,F,H<br>,Q,T,<br>AA,AG<br>,AH,A<br>L,AM<br>AX,AZ    | 1            |

# 71-11-56

 ILLUSTRATED PARTS LIST  
 01.1 Page 1058H  
 Nov 01/04





**BOEING**  
COMPONENT  
MAINTENANCE MANUAL

| FIG. & ITEM | PART NO.     | AIRLINE PART NUMBER | NOMENCLATURE<br>1234567  | EFF CODE  | QTY PER ASSY |
|-------------|--------------|---------------------|--|---|--------------|
| 06-187      | 315T3318-113 |                     | ..FAIRING  | A   | 1            |
| -187A       | 315T3318-215 |                     | ..FAIRING  | B-D, J, M, AE, AF, A, J, AK, AW, AY   | 1            |
| -190        | 315T3318-114 |                     | ..FAIRING  | E   | 1            |
| -190A       | 315T3318-216 |                     | ..FAIRING  | F, H, Q, T, AA, AG, A, H, AL, AM, AX, AZ  | 1            |
| 191         | BACR15CE3M   |                     | .RIVET-<br>(SIZE DETERMINE ON INST)<br>(USED ON ITEMS 1E, 1H, 1J, 1K, 1L, 5C, 5F, 5G, 5H, 5J)    | K, L, N, R, U-Z, A, C, AD, AN-CC, CH-CK, CT-C, V, D, A-DC   | 3            |
| -191A       | BACR15CE3M   |                     | .RIVET-<br>(SIZE DETERMINE ON INST)  | DS-DV   | 3            |
| 192         | 315T3318-143 |                     | .RETAINER-<br>(MFD FROM CRES SH BAC1494-193 F-17.09 X 3.7)<br>(USED ON ITEMS 1E, 1H, 1J, 1K, 1L) | K, L, N, V, Y, Z, A, N-AR, AW, AY, BA, BB, BE, B, F, BJ, BK, BN, BP, BS, BT, BW, B, X, C, A-CC, CT-CV | 1            |

71-11-56

| FIG. & ITEM  | PART NO.     | AIRLINE PART NUMBER | NOMENCLATURE<br>1234567   | EFF CODE   | QTY PER ASSY |
|--------------|--------------|---------------------|---|--|--------------|
| 06-<br>-192A | 315T3318-143 |                     | .RETAINER-<br>(MFD FROM CRES SH<br>BAC1494-193 F-17.09 X<br>3.7)  | DS,DT  | 1            |
| -192J        | 315T3318-144 |                     | .RETAINER-<br>(MFD FROM CRES SH<br>BAC1494-193 F-17.09 X<br>3.7)<br>(USED ON ITEMS 5C, 5F,<br>5G, 5H, 5J) | R,U,W<br>,X,AC<br>,AD,A<br>S-AV,<br>AX,AZ<br>BC,BD<br>,BG,B<br>H,BL,<br>BM,BQ<br>,BR<br>BU,BV<br>,BY,B<br>Z,C<br>H-CK,<br>DA-DC<br>K,L,N<br>,V,Y,<br>Z,A<br>N-AR,<br>AW,AY<br>BA,BE<br>K,L,N<br>,V,Y,<br>Z,A<br>N-AR,<br>AW,AY<br>BA,BE<br>BA,BB<br>,BE,B<br>F,BJ,<br>BK,BN<br>,BP<br>BS,BT<br>,BW,B<br>X,C<br>A-CC,<br>CT-CV<br>DS,DT | 1            |
| 194          | 315T3318-227 |                     | .ANGLE-<br>(LIMITED)<br>(USED ON ITEMS 1E, 1H)  |  | 1            |
| -194A        | 315T3318-253 |                     | .ANGLE-<br>(LIMITED)<br>(USED ON ITEMS 1E, 1H)  |  | 1            |
| -194B        | 315T3318-253 |                     | .ANGLE-<br>(USED ON ITEMS 1J, 1K,<br>1L)  |  | 1            |
| -194C        | 315T3318-253 |                     | .ANGLE  |  | 1            |

# 71-11-56

 ILLUSTRATED PARTS LIST  
 01.1 Page 1058J  
 Nov 01/04

 **BOEING**  
COMPONENT  
MAINTENANCE MANUAL

| FIG. & ITEM  | PART NO.     | AIRLINE PART NUMBER | NOMENCLATURE<br>1234567                               | EFF CODE  | QTY PER ASSY |
|--------------|--------------|---------------------|---|---|--------------|
| 06-<br>-194J | 315T3318-228 |                     | .ANGLE-<br>(LIMITED)<br>(USED ON ITEMS 5C, 5F)        | R,U,W<br>,X,AC<br>,AD,A<br>S-AV,<br>AX,AZ<br>BC,BG  | 1            |
| -194K        | 315T3318-254 |                     | .ANGLE-<br>(LIMITED)<br>(USED ON ITEMS 5C, 5F)        | R,U,W<br>,X,AC<br>,AD,A<br>S-AV,<br>AX,AZ<br>BC,BG  | 1            |
| -194L        | 315T3318-254 |                     | .ANGLE-<br>(USED ON ITEMS 5G, 5H,<br>5J)              | BC,BD<br>,BG,B<br>H,BL,<br>BM,BQ<br>,BR<br>BU,BV<br>,BY,B<br>Z,C<br>H-CK,<br>DA-DC<br>DU,DV | 1            |
| -194M        | 315T3318-254 |                     | .ANGLE  | DU,DV   | 1            |
| 195          | 315T3318-163 |                     | .FAIRING ASSY-<br>(USED ON ITEM 1)                    | A   | 1            |
| -195A        | 315T3318-167 |                     | DELETED   |   |              |
| -195B        | 315T3318-169 |                     | .FAIRING ASSY-<br>(USED ON ITEM 1B)                   | A   | 1            |
| -195C        | 315T3318-185 |                     | .FAIRING ASSY-<br>(USED ON ITEMS 1C, 1F)              | A   | 1            |
| -195D        | 315T3318-183 |                     | .FAIRING ASSY-<br>(USED ON ITEM 1A)                   | A   | 1            |
| -195E        | 315T3318-189 |                     | DELETED   |   |              |
| -195F        | 315T3318-199 |                     | DELETED   |   |              |
| -195G        | 315T3318-219 |                     | .SUPPORT ASSY-<br>(USED ON ITEMS 1D, 1G)              | B-D,J<br>,M,AE<br>,AF,A<br>J,AK,<br>AW,AY   | 1            |
| -195H        | 315T3318-221 |                     | .SUPPORT ASSY-<br>(LIMITED)<br>(USED ON ITEMS 1E, 1H) | K,L,N<br>,V,Y,<br>Z,A<br>N-AR,<br>AW,AY<br>BA,BE  | 1            |

71-11-56

ILLUSTRATED PARTS LIST  
01.1 Page 1058K  
Nov 01/04

| FIG. & ITEM  | PART NO.     | AIRLINE PART NUMBER | NOMENCLATURE<br>1234567                               | EFF CODE  | QTY PER ASSY |
|--------------|--------------|---------------------|---|---|--------------|
| 06-<br>-195J | 315T3318-247 |                     | .SUPPORT ASSY-<br>(LIMITED)<br>(USED ON ITEMS 1E, 1H) | K,L,N<br>,V,Y,<br>Z,A<br>N-AR,<br>AW,AY<br>BA,BE<br>CA-CC<br>,CT-C<br>V | 1            |
| -195K        | 315T3318-271 |                     | .SUPPORT ASSY   | BA,BB<br>,BE,B<br>F,BJ,<br>BK,BN<br>,BP<br>BS,BT<br>,BW,B<br>X          | 1            |
| -195L        | 315T3318-247 |                     | .SUPPORT ASSY-<br>(USED ON ITEMS 1J, 1K)              | E   | 1            |
| -200         | 315T3318-164 |                     | .FAIRING ASSY-<br>(USED ON ITEM 5)                    | E   | 1            |
| -200A        | 315T3318-170 |                     | .FAIRING ASSY-<br>(USED ON ITEM 5A)                   | E   | 1            |
| -200B        | 315T3318-186 |                     | .FAIRING ASSY-<br>(USED ON ITEM 5D)                   | E   | 1            |
| -200C        | 315T3318-190 |                     | DELETED   |   |              |
| -200D        | 315T3318-200 |                     | DELETED   |   |              |
| -200E        | 315T3318-220 |                     | .FAIRING ASSY-<br>(USED ON ITEMS 5B, 5E)              | F,H,Q<br>,T,AA<br>,AG,A<br>H,AL,<br>AM,AX<br>AZ                         | 1            |

# 71-11-56

 ILLUSTRATED PARTS LIST  
 01.1 Page 1058L  
 Nov 01/04

**BOEING**  
COMPONENT  
MAINTENANCE MANUAL

| FIG. & ITEM  | PART NO.     | AIRLINE PART NUMBER | NOMENCLATURE<br>1234567                               | EFF CODE  | QTY PER ASSY |
|--------------|--------------|---------------------|---|---|--------------|
| 06-<br>-200F | 315T3318-222 |                     | .SUPPORT ASSY-<br>(LIMITED)<br>(USED ON ITEMS 5C, 5F) | R,U,W<br>,X,AC<br>,AD,A<br>S-AV,<br>AX,AZ<br>BC,BG                      | 1            |
| -200G        | 315T3318-248 |                     | .SUPPORT ASSY-<br>(LIMITED)<br>(USED ON ITEMS 5C, 5F) | R,U,W<br>,X,AC<br>,AD,A<br>S-AV,<br>AX,AZ<br>BC,BG                      | 1            |
| -200H        | 315T3318-272 |                     | .SUPPORT ASSY   | CH-CK<br>,DA-<br>DC   | 1            |
| -200J        | 315T3318-248 |                     | .SUPPORT ASSY-<br>(USED ON ITEMS 5G, 5H)              | BC,BD<br>,BG,B<br>H,BL,<br>BM,BQ<br>,BR<br>BU,BV<br>,BY,B<br>Z          | 1            |
| 205          | MS20615-3M   |                     | ..RIVET-<br>(SIZE DETERMINE ON INST)                  | A-F,<br>H-N,Q<br>,R,<br>T-AA,<br>AC-CC<br>CH-CK<br>,CT-C<br>V,D<br>A-DC | 7            |

71-11-56

ILLUSTRATED PARTS LIST  
01.1 Page 1058M  
Nov 01/04

| FIG. & ITEM | PART NO.     | AIRLINE PART NUMBER | NOMENCLATURE  | EFF CODE   | QTY PER ASSY |
|-------------|--------------|---------------------|---|--|--------------|
| 06-210      | 315T3318-157 |                     | ..RETAINER-<br>(MFD FROM CRES SH<br>BAC1494-193 F-17.09 X<br>2.5) | A-F,<br>H-N,Q<br>,R,<br>T-AA,<br>AC-CC<br>CH-CK<br>,CT-C<br>V,D<br>A-DC  | 1            |
| 215         | 315T3318-151 |                     | ..RETAINER-<br>(MFD FROM CRES SH<br>BAC1494-193 F-17.09 X<br>2.2) | A-D,<br>J-N,V<br>,Y,Z,<br>AE,AF<br>,AJ,A<br>K<br>AN-AR<br>,AW,A<br>Y,BA,<br>BB,BE<br>,BF<br>BJ,BK<br>,BN,B<br>P,BS,<br>BT,BW<br>,BX<br>CA-CC<br>,CT-C<br>V | 1            |

# 71-11-56

 ILLUSTRATED PARTS LIST  
 01.1 Page 1058N  
 Nov 01/04

**BOEING**  
COMPONENT  
MAINTENANCE MANUAL

| FIG. & ITEM | PART NO.     | AIRLINE PART NUMBER | NOMENCLATURE   | EFF CODE   | QTY PER ASSY |
|-------------|--------------|---------------------|--|--|--------------|
| 06-<br>-220 | 315T3318-152 |                     | 1234567<br>..RETAINER-<br>(MFD FROM CRES SH<br>BAC1494-193 F-17.09 X<br>2.2) | E,F,H<br>,Q,R,<br>T,U,W<br>,X,AA<br>,AC<br>AD,AG<br>,AH,A<br>L,AM,<br>AS-AV<br>,AX<br>AZ,BC<br>,BD,B<br>G,BH,<br>BL,BM<br>,BQ<br>BR,BU<br>,BV,B<br>Y,BZ,<br>CH-CK<br>DA-DC | 1            |
| 225         | 315T3318-153 |                     | ..RETAINER-<br>(MFD FROM CRES SH<br>BAC1494-193 F-17.09 X<br>5.1)            | A-D,<br>J-N,V<br>,Y,Z,<br>AE,AF<br>,AJ,A<br>K<br>AN-AR<br>,AW,A<br>Y,BA,<br>BB,BE<br>,BF<br>BJ,BK<br>,BN,B<br>P,BS,<br>BT,BW<br>,BX<br>CA-CC<br>,CT-C<br>V                 | 1            |

71-11-56

| FIG. & ITEM | PART NO.     | AIRLINE PART NUMBER | NOMENCLATURE   | EFF CODE   | QTY PER ASSY |
|-------------|--------------|---------------------|--|--|--------------|
| 06-<br>-230 | 315T3318-154 |                     | 1234567<br><br>..RETAINER-<br>(MFD FROM CRES SH<br>BAC1494-193 F-17.09 X<br>5.1) | E,F,H<br>,Q,R,<br>T,U,W<br>,X,AA<br>,AC<br>AD,AG<br>,AH,A<br>L,AM,<br>AS-AV<br>,AX<br>AZ,BC<br>,BD,B<br>G,BH,<br>BL,BM<br>,BQ<br>BR,BU<br>,BV,B<br>Y,BZ,<br>CH-CK<br>DA-DC | 1            |
| 235         | MS20615-3M   |                     | ..RIVET-<br>(SIZE DETERMINE ON INST)   | A-F,<br>H-N,Q<br>,R,<br>T-AA,<br>AC-CC<br>CH-CK<br>,CT-C<br>V,D<br>A-DC  | 5            |

# 71-11-56

 ILLUSTRATED PARTS LIST  
 01.1 Page 1058P  
 Nov 01/04



**BOEING**  
COMPONENT  
MAINTENANCE MANUAL

| FIG. & ITEM | PART NO.     | AIRLINE PART NUMBER | NOMENCLATURE   | EFF CODE   | QTY PER ASSY |
|-------------|--------------|---------------------|--|--|--------------|
| 06-240      | 315T3318-149 |                     | 1234567<br>..RETAINER-<br>(MFD FROM CRES SH<br>BAC1494-193 F-17.09 X<br>3.8) | A-D,<br>J-N,V<br>,Y,Z,<br>AE,AF<br>,AJ,A<br>K<br>AN-AR<br>,AW,A<br>Y,BA,<br>BB,BE<br>,BF<br>BJ,BK<br>,BN,B<br>P,BS,<br>BT,BW<br>,BX<br>CA-CC<br>,CT-C<br>V                 | 1            |
| -245        | 315T3318-150 |                     | ..RETAINER-<br>(MFD FROM CRES SH<br>BAC1494-193 F-17.09 X<br>3.8)            | E,F,H<br>,Q,R,<br>T,U,W<br>,X,AA<br>,AC<br>AD,AG<br>,AH,A<br>L,AM,<br>AS-AV<br>,AX<br>AZ,BC<br>,BD,B<br>G,BH,<br>BL,BM<br>,BQ<br>BR,BU<br>,BV,B<br>Y,BZ,<br>CH-CK<br>DA-DC | 1            |

71-11-56

ILLUSTRATED PARTS LIST  
01.1 Page 1058Q  
Nov 01/04

| FIG. & ITEM | PART NO.     | AIRLINE PART NUMBER | NOMENCLATURE   | EFF CODE   | QTY PER ASSY |
|-------------|--------------|---------------------|--|--|--------------|
| 06-250      | 315T3318-147 |                     | 1234567<br>..RETAINER-<br>(MFD FROM CRES SH<br>BAC1494-193 F-17.09 X<br>3.0) | A-D,<br>J-N,V<br>,Y,Z,<br>AE,AF<br>,AJ,A<br>K<br>AN-AR<br>,AW,A<br>Y,BA,<br>BB,BE<br>,BF<br>BJ,BK<br>,BN,B<br>P,BS,<br>BT,BW<br>,BX<br>CA-CC<br>,CT-C<br>V                 | 1            |
| -255        | 315T3318-148 |                     | ..RETAINER-<br>(MFD FROM CRES SH<br>BAC1494-193 F-17.09 X<br>3.0)            | E,F,H<br>,Q,R,<br>T,U,W<br>,X,AA<br>,AC<br>AD,AG<br>,AH,A<br>L,AM,<br>AS-AV<br>,AX<br>AZ,BC<br>,BD,B<br>G,BH,<br>BL,BM<br>,BQ<br>BR,BU<br>,BV,B<br>Y,BZ,<br>CH-CK<br>DA-DC | 1            |

# 71-11-56

 ILLUSTRATED PARTS LIST  
 01.1 Page 1058R  
 Nov 01/04

 **BOEING**  
COMPONENT  
MAINTENANCE MANUAL

| FIG. & ITEM | PART NO.     | AIRLINE PART NUMBER | NOMENCLATURE   | EFF CODE   | QTY PER ASSY |
|-------------|--------------|---------------------|--|--|--------------|
| 06-260      | MS20615-3M   |                     | 1234567<br>..RIVET-<br>(SIZE DETERMINE ON INST)                    | A-F,<br>H-N,Q<br>,R,<br>T-AA,<br>AC-CC<br>CH-CK<br>,CT-C<br>V,D<br>A-DC  | 5            |
| 265         | 315T3318-145 |                     | ..RETAINER-<br>(MFD FROM CRES SH<br>BAC1494-193 F-17.09 X<br>10.7) | A-D,<br>J-N,V<br>,Y,Z,<br>AE,AF<br>,AJ,A<br>K<br>AN-AR<br>,AW,A<br>Y,BA,<br>BB,BE<br>,BF<br>BJ,BK<br>,BN,B<br>P,BS,<br>BT,BW<br>,BX<br>CA-CC<br>,CT-C<br>V | 1            |

**71-11-56**

ILLUSTRATED PARTS LIST  
01.1 Page 1058S  
Nov 01/04

| FIG. & ITEM | PART NO.     | AIRLINE PART NUMBER | NOMENCLATURE  | EFF CODE   | QTY PER ASSY |
|-------------|--------------|---------------------|---|--|--------------|
| 06-<br>-270 | 315T3318-146 |                     | 1234567<br>..RETAINER-<br>(MFD FROM CRES SH<br>BAC1494-193 F-17.09 X<br>10.7) | E,F,H<br>,Q,R,<br>T,U,W<br>,X,AA<br>,AC<br>AD,AG<br>,AH,A<br>L,AM,<br>AS-AV<br>,AX<br>AZ,BC<br>,BD,B<br>G,BH,<br>BL,BM<br>,BQ<br>BR,BU<br>,BV,B<br>Y,BZ,<br>CH-CK<br>DA-DC | 1            |
| 273         | MS20615-3M   |                     | ..RIVET-<br>(SIZE DETERMINE ON INST)  | A-F,<br>H-N,Q<br>,R,<br>T-AA,<br>AC-CC<br>CH-CK<br>,CT-C<br>V,D<br>A-DC  | 2            |

# 71-11-56

 ILLUSTRATED PARTS LIST  
 01.1 Page 1058T  
 Nov 01/04

 **BOEING**  
COMPONENT  
MAINTENANCE MANUAL

| FIG. & ITEM | PART NO.     | AIRLINE PART NUMBER | NOMENCLATURE<br>1234567   | EFF CODE   | QTY PER ASSY |
|-------------|--------------|---------------------|---|--|--------------|
| 06-275      | 315T3318-141 |                     | ..RETAINER-<br>(MFD FROM CRES SH<br>BAC1494-193 F-17.09 X<br>2.4) | A-D,<br>J-N,V<br>,Y,Z,<br>AE,AF<br>,AJ,A<br>K<br>AN-AR<br>,AW,A<br>Y,BA,<br>BB,BE<br>,BF<br>BJ,BK<br>,BN,B<br>P,BS,<br>BT,BW<br>,BX<br>CA-CC<br>,CT-C<br>V                 | 1            |
| -280        | 315T3318-142 |                     | ..RETAINER-<br>(MFD FROM CRES SH<br>BAC1494-193 F-17.09 X<br>2.4) | E,F,H<br>,Q,R,<br>T,U,W<br>,X,AA<br>,AC<br>AD,AG<br>,AH,A<br>L,AM,<br>AS-AV<br>,AX<br>AZ,BC<br>,BD,B<br>G,BH,<br>BL,BM<br>,BQ<br>BR,BU<br>,BV,B<br>Y,BZ,<br>CH-CK<br>DA-DC | 1            |

**71-11-56**

ILLUSTRATED PARTS LIST  
01.1 Page 1058U  
Nov 01/04

| FIG. & ITEM | PART NO.     | AIRLINE PART NUMBER | NOMENCLATURE<br>1234567  | EFF CODE   | QTY PER ASSY |
|-------------|--------------|---------------------|--|--|--------------|
| 06-283      | MS20615-3M   |                     | ..RIVET-<br>(SIZE DETERMINE ON INST)<br>(USED ON ITEMS 195,<br>195B, 195C, 195D, 195G,<br>200, 200A, 200B, 200E)         | B-D,F<br>,H,J,<br>,M,Q,T<br>,AA,A<br>E-AM<br>AW-AZ                       | 3            |
| 285         | 315T3318-139 |                     | DELETED  |  |              |
| 285A        | 315T3318-191 |                     | ..RETAINER   | B-D,J<br>,M  | 1            |
| -285B       | 315U4009-15  |                     | ..RETAINER-<br>(REWORK DWG<br>315U4009-5,<br>315U4009-7,<br>315U4009-9,<br>315U4009-11,<br>315U4009-21,<br>315U4009-23)  | AE,AF<br>,AJ,A<br>K,AW,<br>AY  | 1            |
| -290        | 315T3318-142 |                     | DELETED  |  |              |
| -290A       | 315T3318-192 |                     | ..RETAINER   | F,H,Q<br>,T,AA   | 1            |
| -290B       | 315U4009-16  |                     | ..RETAINER-<br>(REWORK DWG<br>315U4009-6,<br>315U4009-8,<br>315U4009-10,<br>315U4009-12,<br>315U4009-22,<br>315U4009-24) | AG,AH<br>,AL,A<br>M,AX,<br>AZ  | 1            |
| 291         | MS20615-3M   |                     | ..RIVET-<br>(SIZE DETERMINE ON INST)<br>(USED ON ITEMS 195H,<br>195J, 195K, 195L, 200F,<br>200G, 200H, 200J)             | K,L,N<br>,R,<br>U-Z,A<br>C,AD,<br>AN-CC<br>CH-CK<br>,CT-C<br>V,D<br>A-DC | 3            |
| 291J        | MS20427M3    |                     | ..RIVET-<br>(SIZE DETERMINE ON INST)<br>(USED ON ITEMS 195H,<br>200F)  | K,L,N<br>,R,<br>U-Z,A<br>C,AD,<br>AN-BA<br>BC,BE<br>,BG                  | 1            |

# 71-11-56

 ILLUSTRATED PARTS LIST  
 01.1 Page 1058V  
 Nov 01/04

 **BOEING**  
COMPONENT  
MAINTENANCE MANUAL

| FIG. & ITEM  | PART NO.     | AIRLINE PART NUMBER | NOMENCLATURE<br>1234567  | EFF CODE  | QTY PER ASSY |
|--------------|--------------|---------------------|--|---|--------------|
| 06-<br>-291K | MS20427M3    |                     | ..RIVET-<br>(LIMITED)<br>(SIZE DETERMINE ON INST)<br>(USED ON ITEMS 195J,<br>195L, 200G, 200J) | K,L,N<br>,R,<br>U-Z,A<br>C,AD,<br>AN-BZ   | 1            |
| 292          | 315T3318-203 |                     | ..RETAINER-<br>(USED ON ITEM 195H)   | K,L,N<br>,V,Y,<br>Z,A<br>N-AR,<br>AW,AY<br>BA,BB<br>,BE,B<br>F,BJ,<br>BK,BN<br>,BP<br>BS,BT<br>,BW,B<br>X | 1            |
| -292A        | 315T3318-203 |                     | ..RETAINER-<br>(LIMITED)<br>(USED ON ITEMS 195L,<br>195J)                                      | K,L,N<br>,V,Y,<br>Z,A<br>N-AR,<br>AW,AY<br>BA,BB<br>,BE,B<br>F,BJ,<br>BK,BN<br>,BP<br>BS,BT<br>,BW,B<br>X | 1            |

71-11-56

ILLUSTRATED PARTS LIST  
01.1 Page 1058W  
Nov 01/04

| FIG. & ITEM  | PART NO.     | AIRLINE PART NUMBER | NOMENCLATURE<br>1234567                                   | EFF CODE  | QTY PER ASSY |
|--------------|--------------|---------------------|---|---|--------------|
| 06-<br>-292B | 315T3318-259 |                     | ..RETAINER-<br>(LIMITED)<br>(USED ON ITEMS 195J,<br>195L) | K,L,N<br>,V,Y,<br>Z,A<br>N-AR,<br>AW,AY<br>BA,BB<br>,BE,B<br>F,BJ,<br>BK,BN<br>,BP<br>BS,BT<br>,BW,B<br>X   | 1            |
| -292C        | 315T3318-259 |                     | ..RETAINER  | CA-CG<br>,CT-C<br>Z   | 1            |
| -293         | 315T3318-204 |                     | ..RETAINER-<br>(USED ON ITEM 200F)                        | R,U,W<br>,X,AC<br>,AD,A<br>S-AV,<br>AX,AZ<br>BC,BD<br>,BG,B<br>H,BL,<br>BM,BQ<br>,BR<br>BU,BV<br>,BY,B<br>Z | 1            |

# 71-11-56

 ILLUSTRATED PARTS LIST  
 01.1 Page 1058X  
 Nov 01/04



 **BOEING**  
COMPONENT  
MAINTENANCE MANUAL

| FIG. & ITEM  | PART NO.     | AIRLINE PART NUMBER | NOMENCLATURE   | EFF CODE  | QTY PER ASSY |
|--------------|--------------|---------------------|--|---|--------------|
| 06-<br>-293A | 315T3318-204 |                     | 1234567<br>..RETAINER-<br>(LIMITED)<br>(USED ON ITEMS 200G,<br>200J) | R,U,W<br>,X,AC<br>,AD,A<br>S-AV,<br>AX,AZ<br>BC,BD<br>,BG,B<br>H,BL,<br>BM,BQ<br>,BR<br>BU,BV<br>,BY,B<br>Z | 1            |
| -293B        | 315T3318-260 |                     | ..RETAINER-<br>(LIMITED)<br>(USED ON ITEMS 200G,<br>200J)            | R,U,W<br>,X,AC<br>,AD,A<br>S-AV,<br>AX,AZ<br>BC,BD<br>,BG,B<br>H,BL,<br>BM,BQ<br>,BR<br>BU,BV<br>,BY,B<br>Z | 1            |
| -293C        | 315T3318-260 |                     | ..RETAINER   | CH-CK<br>,DA-<br>DC   | 1            |

71-11-56

ILLUSTRATED PARTS LIST  
01.1 Page 1058Y  
Nov 01/04

| FIG. & ITEM | PART NO.     | AIRLINE PART NUMBER | NOMENCLATURE         | EFF CODE   | QTY PER ASSY |
|-------------|--------------|---------------------|----------------------|--|--------------|
| 06-295      | 315T3318-105 |                     | 1234567<br>..FAIRING | A-D,<br>J-N,V<br>,Y,Z,<br>AE,AF<br>,AJ,A<br>K<br>AN-AR<br>,AW,A<br>Y,BA,<br>BB,BE<br>,BF<br>BJ,BK<br>,BN,B<br>P,BS,<br>BT,BW<br>,BX<br>CA-CC<br>,CT-C<br>V                 | 1            |
| -300        | 315T3318-106 |                     | ..FAIRING            | E,F,H<br>,Q,R,<br>T,U,W<br>,X,AA<br>,AC<br>AD,AG<br>,AH,A<br>L,AM,<br>AS-AV<br>,AX<br>AZ,BC<br>,BD,B<br>G,BH,<br>BL,BM<br>,BQ<br>BR,BU<br>,BV,B<br>Y,BZ,<br>CH-CK<br>DA-DC | 1            |

# 71-11-56

 ILLUSTRATED PARTS LIST  
 01.1 Page 1058Z  
 Nov 01/04

 **BOEING**  
COMPONENT  
MAINTENANCE MANUAL

| FIG. & ITEM | PART NO.     | AIRLINE PART NUMBER | NOMENCLATURE<br>1234567   | EFF CODE  | QTY PER ASSY |
|-------------|--------------|---------------------|---|---|--------------|
| 06-305      | 315T3318-107 |                     | DELETED   |   |              |
| -305A       | 315T3318-171 |                     | DELETED   |   |              |
| 305B        | 315T3318-193 |                     | ..FAIRING-<br>(USED ON ITEMS 195G)  | A-D, J<br>,M, AF<br>,AK, A<br>W, AY   | 1            |
| -305C       | 315T3318-201 |                     | ..FAIRING-<br>(OPT ITEM 305E)<br>(USED ON ITEMS 195H,<br>195J, 195K)  | K, L, N<br>,V, Y,<br>Z, A<br>N-AR,<br>AW, AY<br>BA, BB<br>,BE, B<br>F, BJ,<br>BK, BN<br>,BP<br>BS, BT<br>,BW, B<br>X, C<br>A-CC,<br>CT-CV | 1            |
| -305D       | 315U4009-13  |                     | ..FAIRING-<br>(REWORK DWG<br>315U4009-5,<br>315U4009-7,<br>315U4009-9,<br>315U4009-11,<br>315U4009-21,<br>315U4009-23)<br>(USED ON ITEM 195H) | AE, AF<br>,AJ, A<br>K, AW,<br>AY, BJ<br>,BK<br>BN, BP<br>,BS, B<br>T, BW,<br>BX   | 1            |
| -305E       | 315T3318-229 |                     | ..FAIRING-<br>(OPT ITEM 305C)<br>(USED ON ITEMS 195H,<br>195J, 195K)  | K, L, N<br>,V, Y,<br>Z, A<br>N-AR,<br>AW, AY<br>BA, BB<br>,BE, B<br>F, BJ,<br>BK, BN<br>,BP<br>BS, BT<br>,BW, B<br>X, C<br>A-CC,<br>CT-CV | 1            |

71-11-56

| FIG. & ITEM | PART NO.     | AIRLINE PART NUMBER | NOMENCLATURE<br>1234567   | EFF CODE   | QTY PER ASSY |
|-------------|--------------|---------------------|---|--|--------------|
| 06-         |              |                     |   |  |              |
| -310        | 315T3318-108 |                     | DELETED   |  |              |
| -310A       | 315T3318-172 |                     | DELETED   |  |              |
| -310B       | 315T3318-194 |                     | ..FAIRING-<br>(USED ON ITEM 200E)   | E, F, H<br>, Q, T,<br>AA, AH<br>, AM, A<br>X, AZ   | 1            |
| -310C       | 315T3318-202 |                     | ..FAIRING-<br>(OPT ITEM 310E)<br>(USED ON ITEMS 200F,<br>200G, 200H)  | R, U, W<br>, X, AC<br>, AD, A<br>S-AV,<br>AX, AZ<br>BC, BD<br>, BG, B<br>H, BL,<br>BM, BQ<br>, BR<br>BU, BV<br>, BY, B<br>Z, C<br>H-CK,<br>DA-DC | 1            |
| -310D       | 315U4009-14  |                     | ..FAIRING-<br>(REWORK DWG<br>315U4009-6,<br>315U4009-8,<br>315U4009-10,<br>315U4009-12,<br>315U4009-22,<br>315U4009-24) | AG, AH<br>, AL, A<br>M, AX,<br>AZ  | 1            |
| -310E       | 315T3318-230 |                     | ..FAIRING-<br>(OPT ITEM 310C)<br>(USED ON ITEMS 200F,<br>200G, 200H)  | R, U, W<br>, X, AC<br>, AD, A<br>S-AV,<br>AX, AZ<br>BC, BD<br>, BG, B<br>H, BL,<br>BM, BQ<br>, BR<br>BU, BV<br>, BY, B<br>Z, C<br>H-CK,<br>DA-DC | 1            |

# 71-11-56

 **BOEING**  
COMPONENT  
MAINTENANCE MANUAL

| FIG. & ITEM | PART NO.     | AIRLINE PART NUMBER | NOMENCLATURE<br>1234567  | EFF CODE | QTY PER ASSY |
|-------------|--------------|---------------------|--|----------|--------------|
| 06-315      | MS20615-3M   |                     | .RIVET-<br>(SIZE DETERMINE ON INST)                                  | DS-DV    | 22           |
| 320         | MS20427M3    |                     | .RIVET-<br>(SIZE DETERMINE ON INST)<br>(USED WITH ITEMS 410,<br>415) | DS-DV    | 1            |
| 325         | 315T3318-157 |                     | .RETAINER-<br>(MFD FROM CRES SH<br>BAC1494-193 F-17.09 X<br>2.5)     | DS-DV    | 1            |
| 330         | 315T3318-151 |                     | .RETAINER-<br>(MFD FROM CRES SH<br>BAC1494-193 F-17.09 X<br>2.2)     | DS,DT    | 1            |
| -335        | 315T3318-152 |                     | .RETAINER-<br>(MFD FROM CRES SH<br>BAC1494-193 F-17.09 X<br>2.2)     | DU,DV    | 1            |
| 340         | 315T3318-153 |                     | .RETAINER-<br>(MFD FROM CRES SH<br>BAC1494-193 F-17.09 X<br>5.1)     | DS,DT    | 1            |
| -345        | 315T3318-154 |                     | .RETAINER-<br>(MFD FROM CRES SH<br>BAC1494-193 F-17.09 X<br>5.1)     | DU,DV    | 1            |
| 350         | 315T3318-149 |                     | .RETAINER-<br>(MFD FROM CRES SH<br>BAC1494-193 F-17.09 X<br>3.8)     | DS,DT    | 1            |
| -355        | 315T3318-150 |                     | .RETAINER-<br>(MFD FROM CRES SH<br>BAC1494-193 F-17.09 X<br>3.8)     | DU,DV    | 1            |

71-11-56

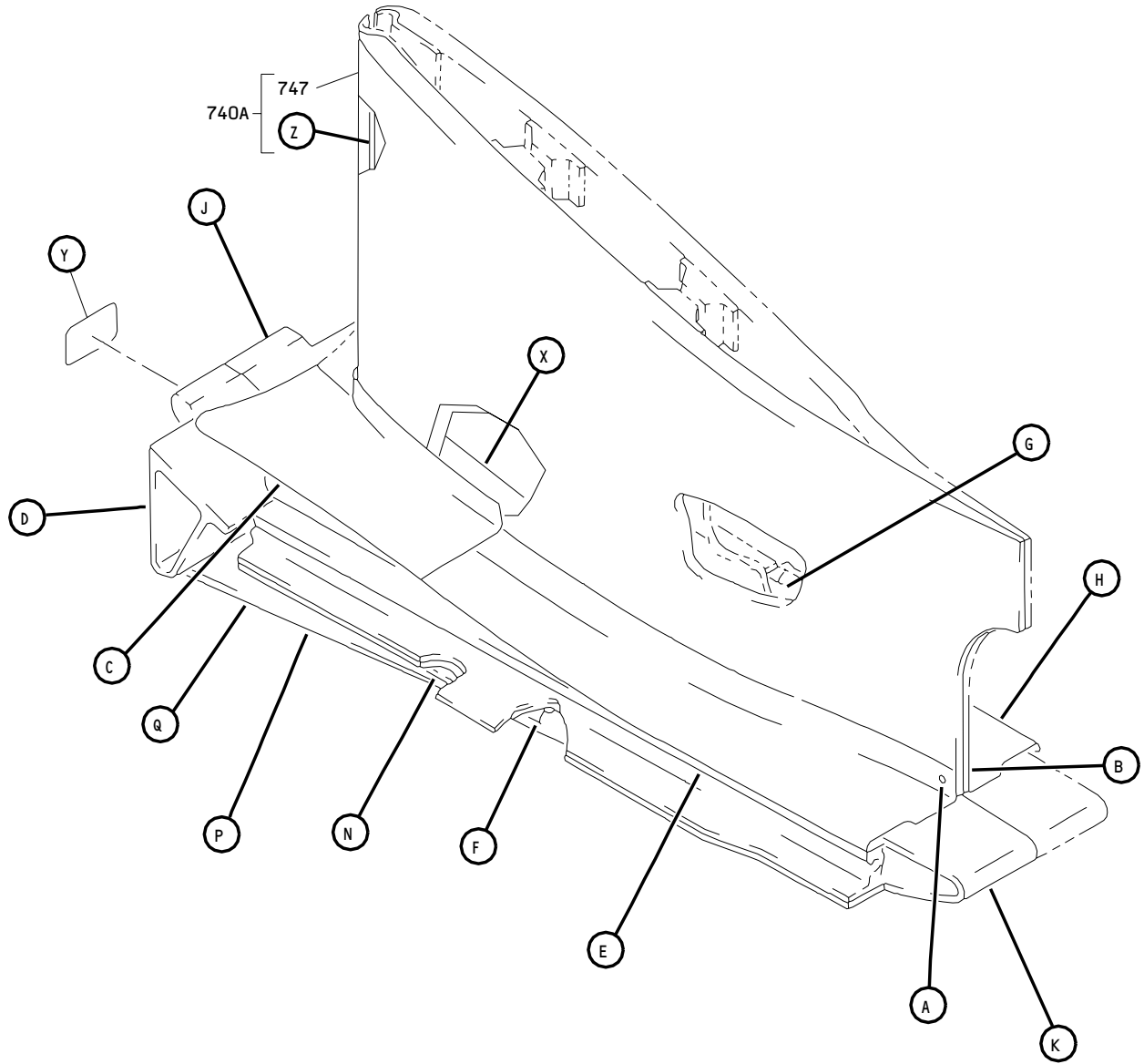
ILLUSTRATED PARTS LIST  
01.1 Page 1060A  
Nov 01/04

| FIG. & ITEM | PART NO.     | AIRLINE PART NUMBER | NOMENCLATURE<br>1234567   | EFF CODE | QTY PER ASSY |
|-------------|--------------|---------------------|---|----------|--------------|
| 06-360      | 315T3318-147 |                     | .RETAINER-<br>(MFD FROM CRES SH<br>BAC1494-193 F-17.09 X<br>3.0)  | DS,DT    | 1            |
| -365        | 315T3318-148 |                     | .RETAINER-<br>(MFD FROM CRES SH<br>BAC1494-193 F-17.09 X<br>3.0)  | DU,DV    | 1            |
| 370         | 315T3318-145 |                     | .RETAINER-<br>(MFD FROM CRES SH<br>BAC1494-193 F-17.09 X<br>10.7) | DS,DT    | 1            |
| -375        | 315T3318-146 |                     | .RETAINER-<br>(MFD FROM CRES SH<br>BAC1494-193 F-17.09 X<br>10.7) | DU,DV    | 1            |
| 380         | 315T3318-141 |                     | .RETAINER-<br>(MFD FROM CRES SH<br>BAC1494-193 F-17.09 X<br>2.4)  | DS,DT    | 1            |
| -385        | 315T3318-142 |                     | .RETAINER-<br>(MFD FROM CRES SH<br>BAC1494-193 F-17.09 X<br>2.4)  | DU,DV    | 1            |
| 390         | 315T3318-259 |                     | .RETAINER   | DS,DT    | 1            |
| -395        | 315T3318-260 |                     | .RETAINER   | DU,DV    | 1            |
| 400         | 315T3318-105 |                     | .FAIRING  | DS,DT    | 1            |
| -405        | 315T3318-106 |                     | .FAIRING  | DU,DV    | 1            |
| 410         | 315T3318-201 |                     | .FAIRING-<br>(OPT ITEM 410A)                                      | DS,DT    | 1            |
| -410A       | 315T3318-229 |                     | .FAIRING-<br>(OPT ITEM 410)                                       | DS,DT    | 1            |
| -415        | 315T3318-202 |                     | .FAIRING-<br>(OPT ITEM 415A)                                      | DU,DV    | 1            |
| -415A       | 315T3318-230 |                     | .FAIRING-<br>(OPT ITEM 415)                                       | DU,DV    | 1            |

- Item Not Illustrated

# 71-11-56

 ILLUSTRATED PARTS LIST  
 01.1 Page 1060B  
 Nov 01/04

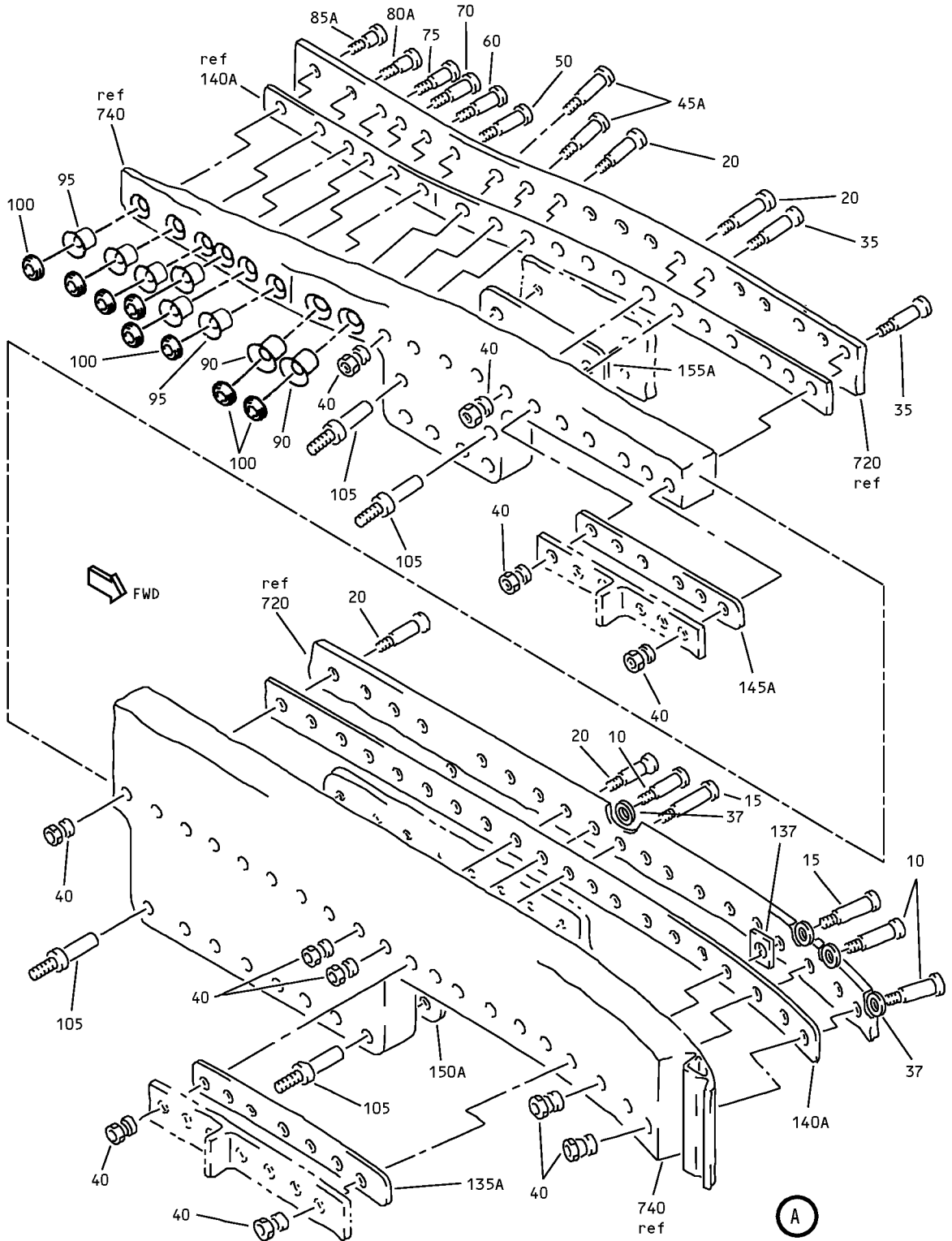


Lower Bifurcation Assembly  
Figure 7 (Sheet 1)

**71-11-56**

ILLUSTRATED PARTS LIST  
01.1 Page 1060D  
Nov 01/04

**BOEING**  
COMPONENT  
MAINTENANCE MANUAL

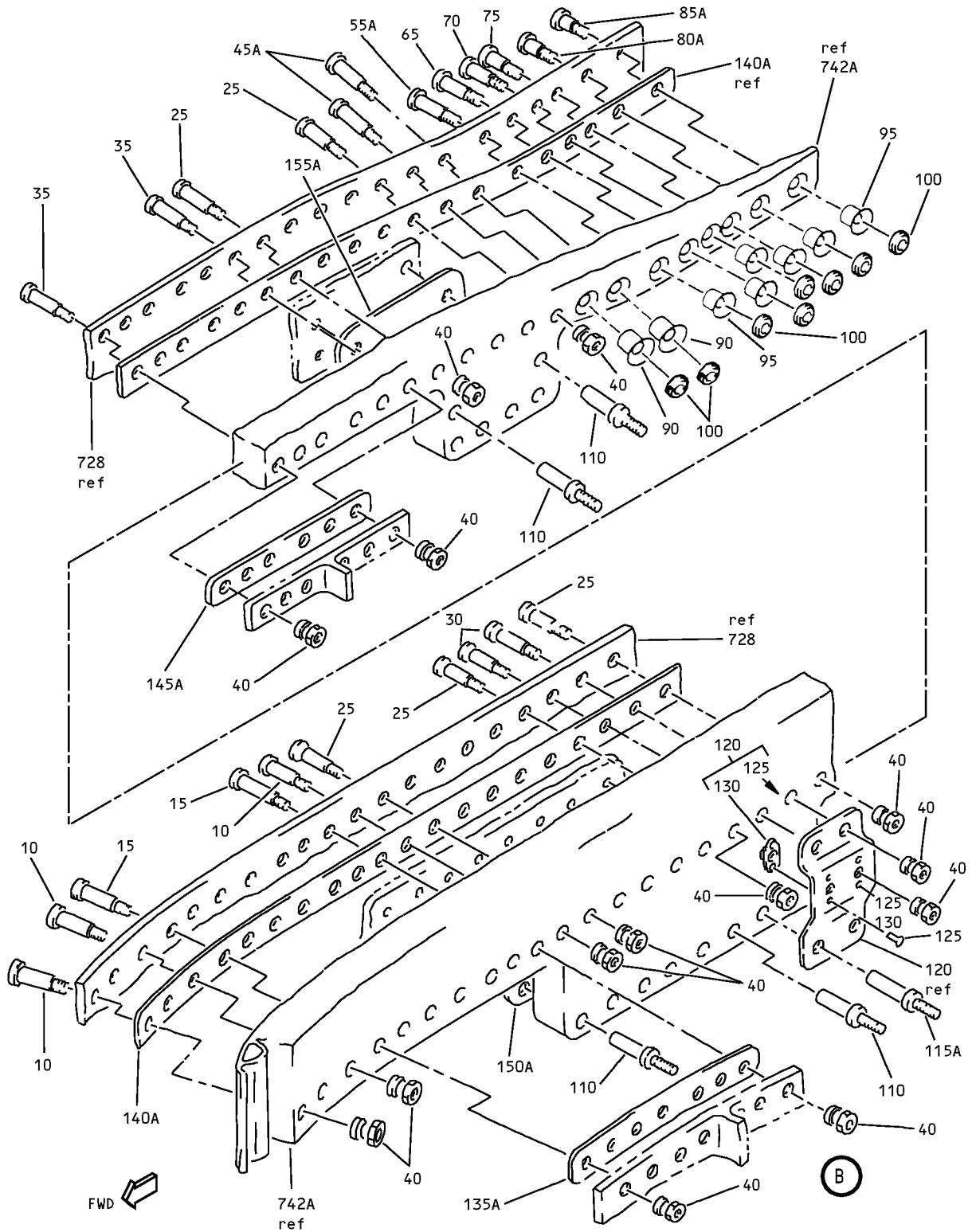


Lower Bifurcation Assembly  
Figure 7 (Sheet 2)

**71-11-56**

ILLUSTRATED PARTS LIST  
01.1 Page 1060E  
Nov 01/04

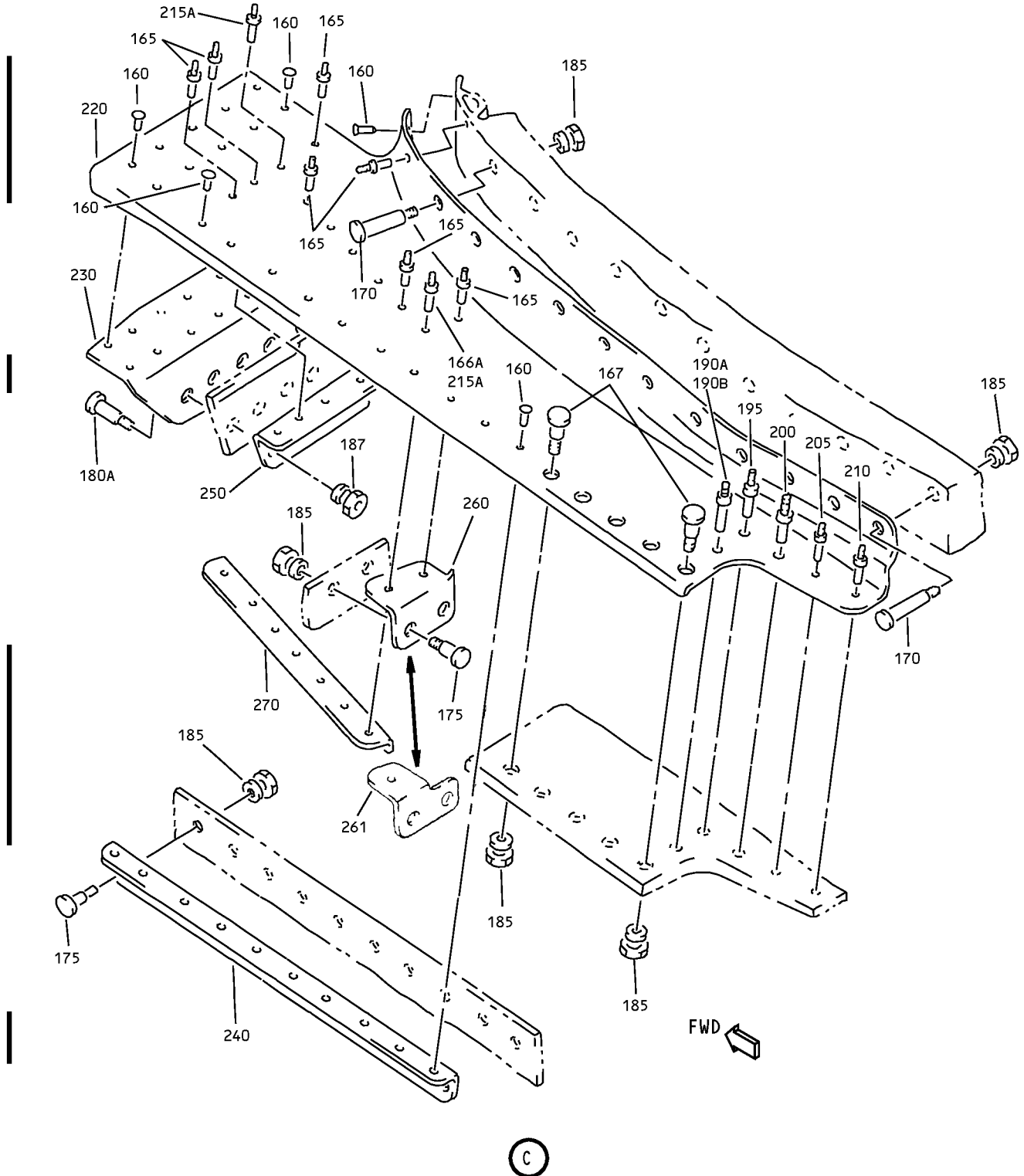




Lower Bifurcation Assembly  
 Figure 7 (Sheet 3)

**71-11-56**

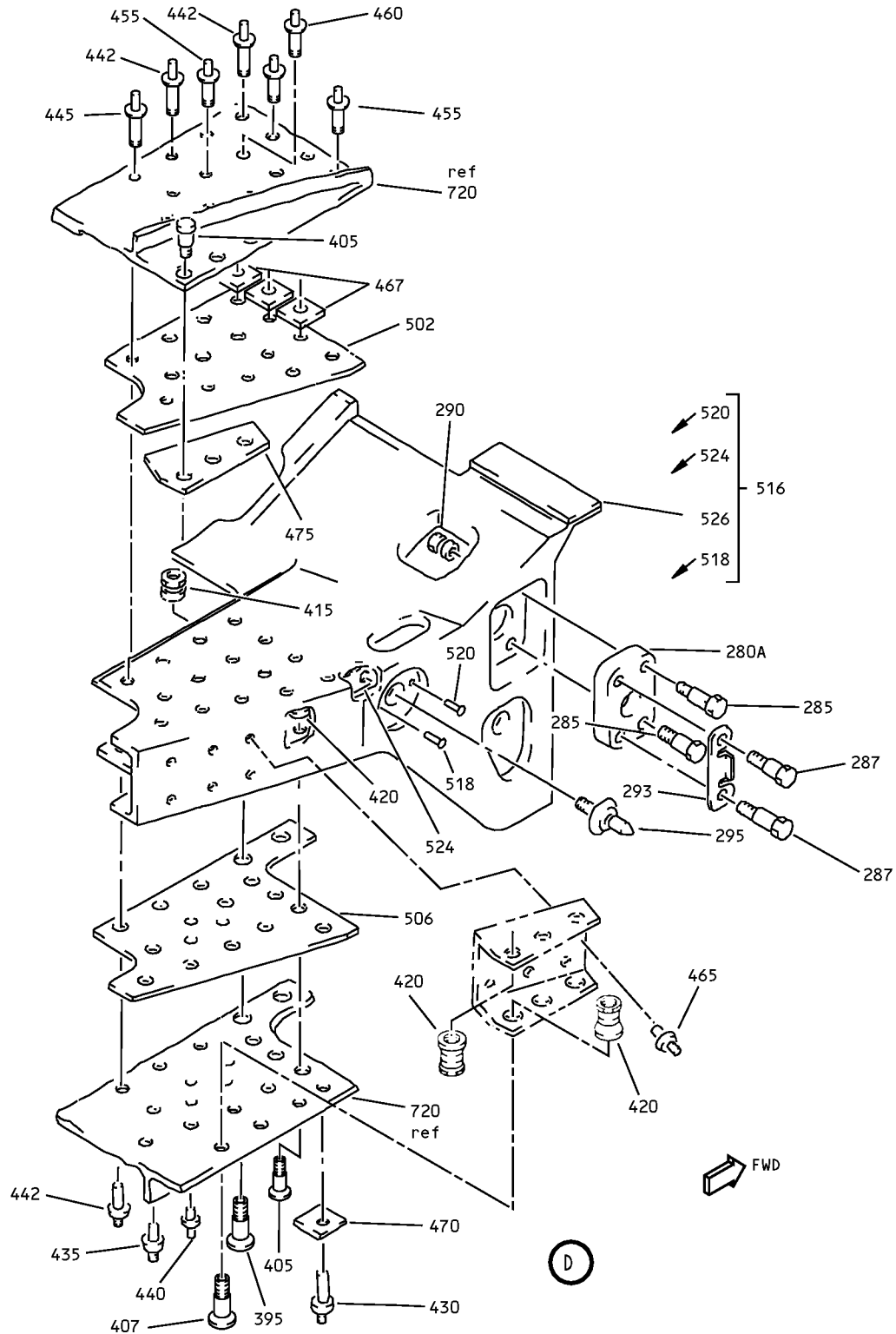
ILLUSTRATED PARTS LIST  
 01.1 Page 1060F  
 Nov 01/04



Lower Bifurcation Assembly  
Figure 7 (Sheet 4)

**71-11-56**

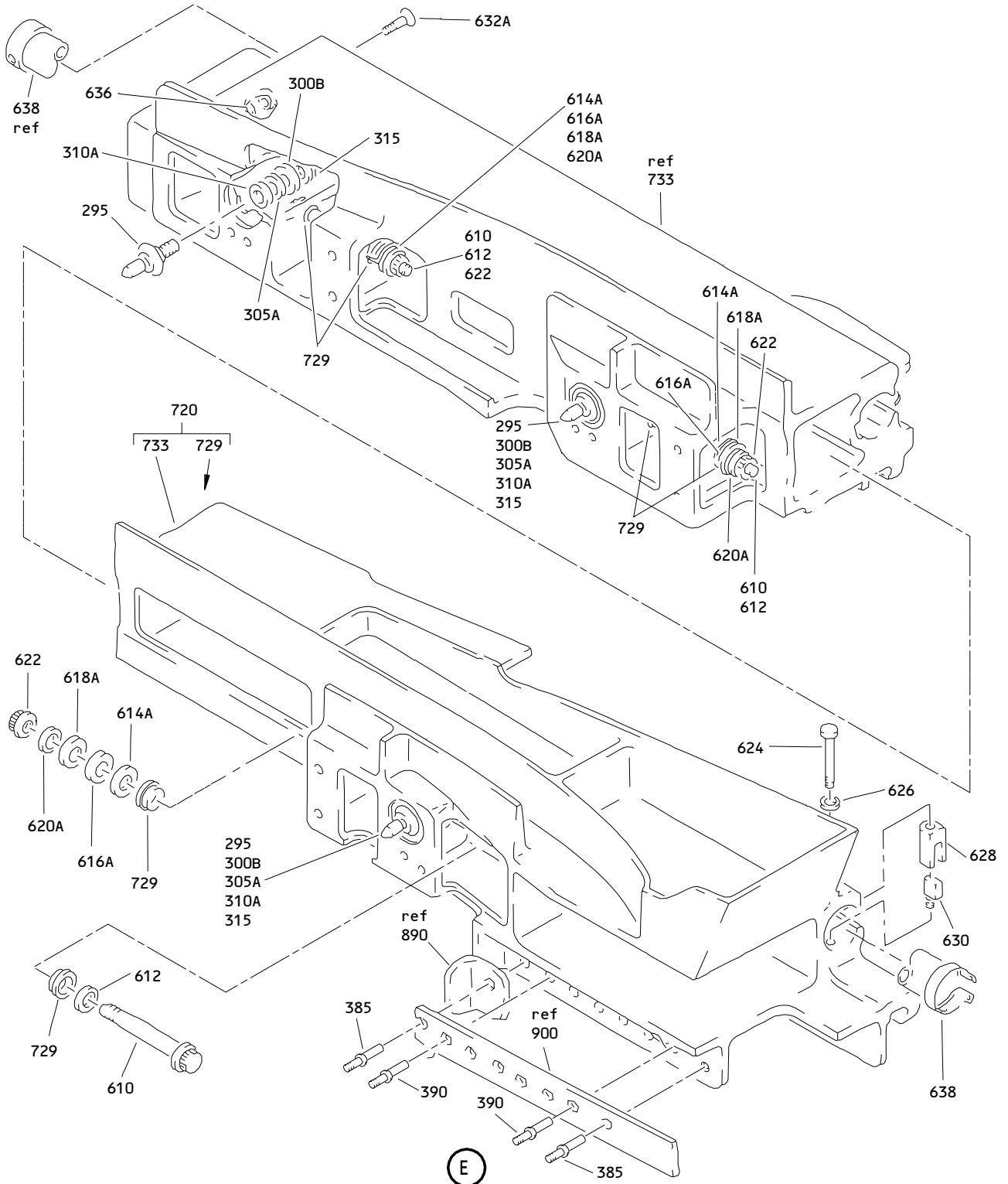
ILLUSTRATED PARTS LIST  
01.1 Page 1060G  
Nov 01/04



Lower Bifurcation Assembly  
 Figure 7 (Sheet 5)

**71-11-56**

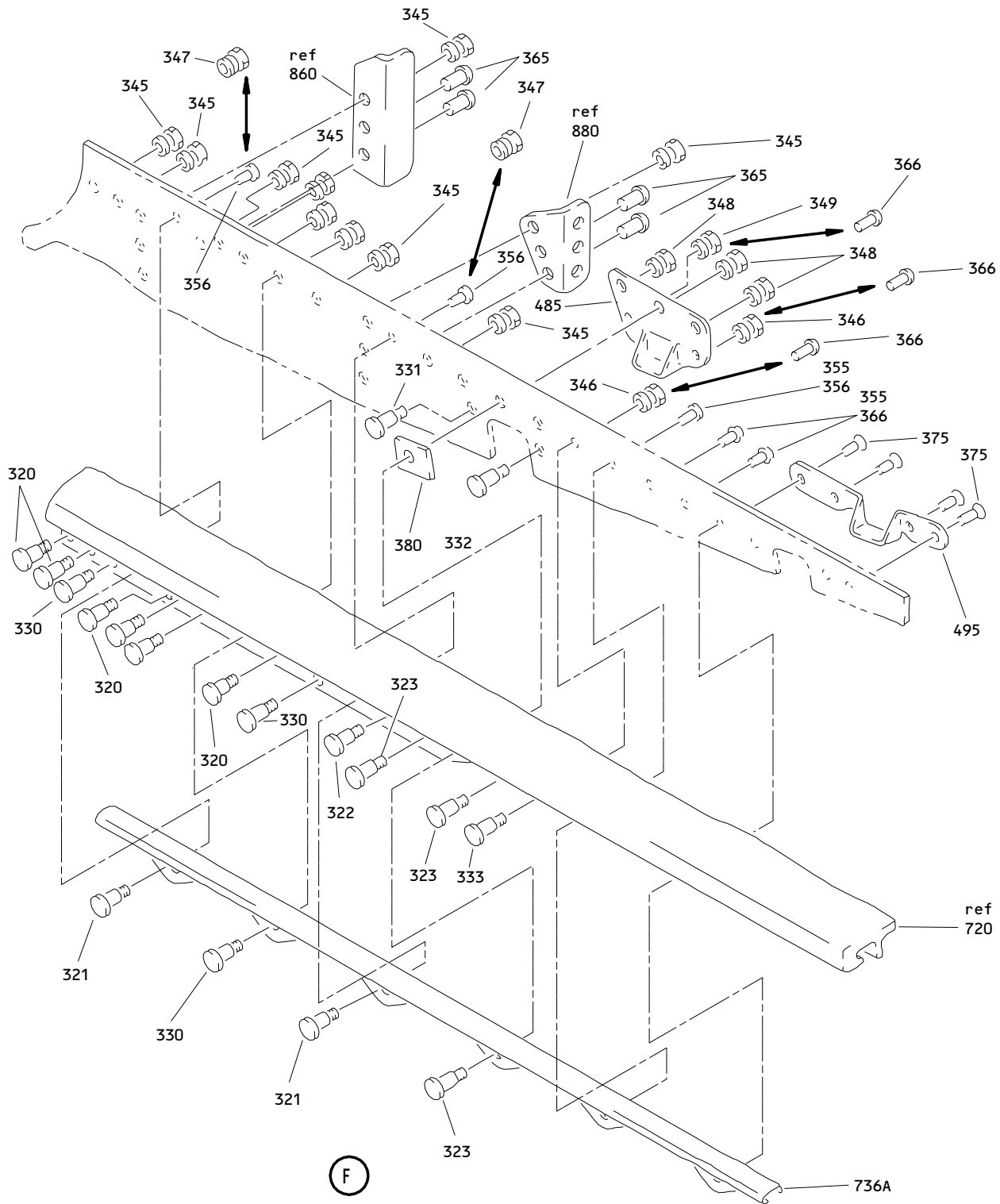
ILLUSTRATED PARTS LIST  
 01.1 Page 1060H  
 Nov 01/04



Lower Bifurcation Assembly  
Figure 7 (Sheet 6)

**71-11-56**

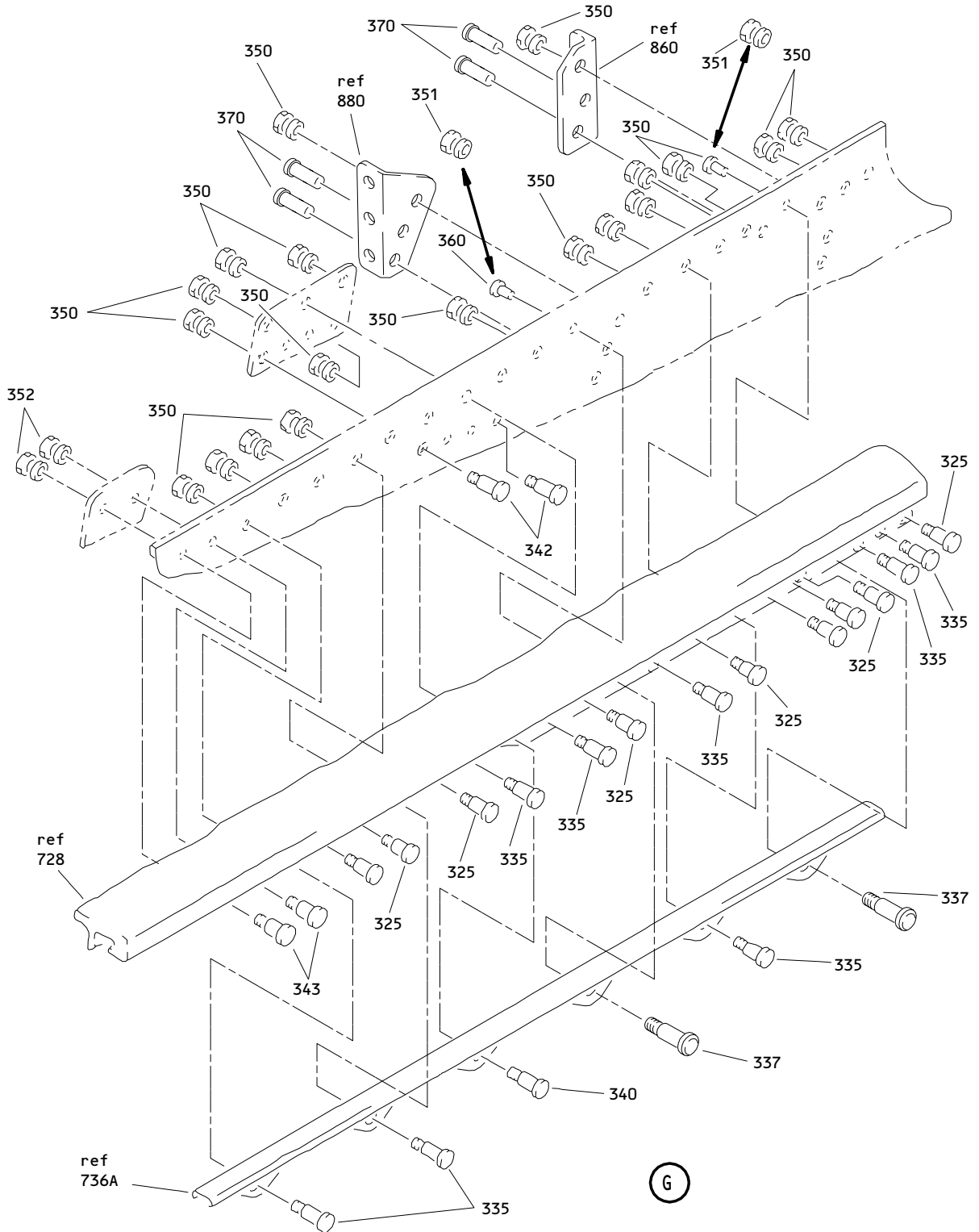
ILLUSTRATED PARTS LIST  
01.1 Page 1060I  
Nov 01/04



Lower Bifurcation Assembly  
Figure 7 (Sheet 7)

**71-11-56**

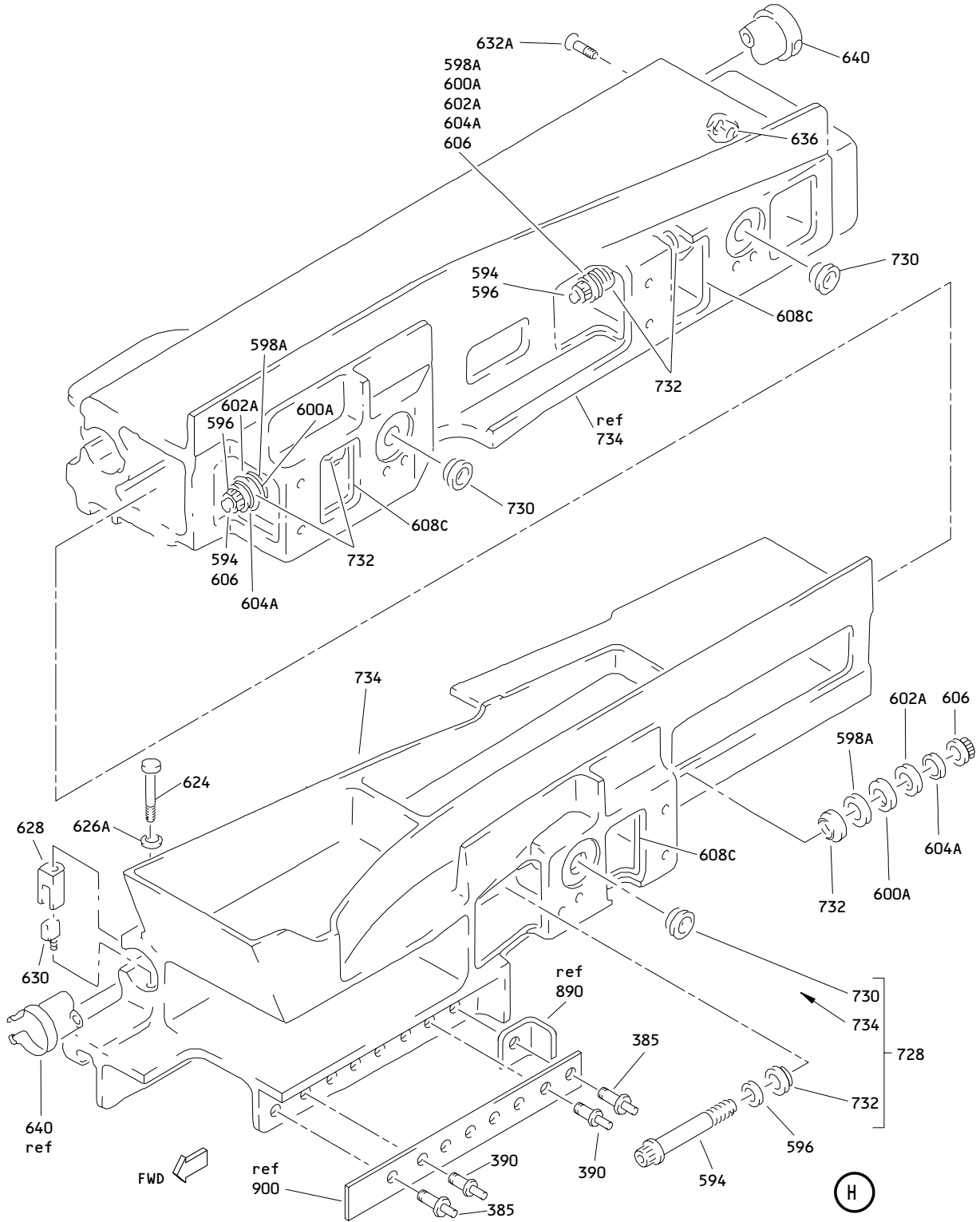
ILLUSTRATED PARTS LIST  
01.1 Page 1060J  
Nov 01/04



Lower Bifurcation Assembly  
Figure 7 (Sheet 8)

**71-11-56**

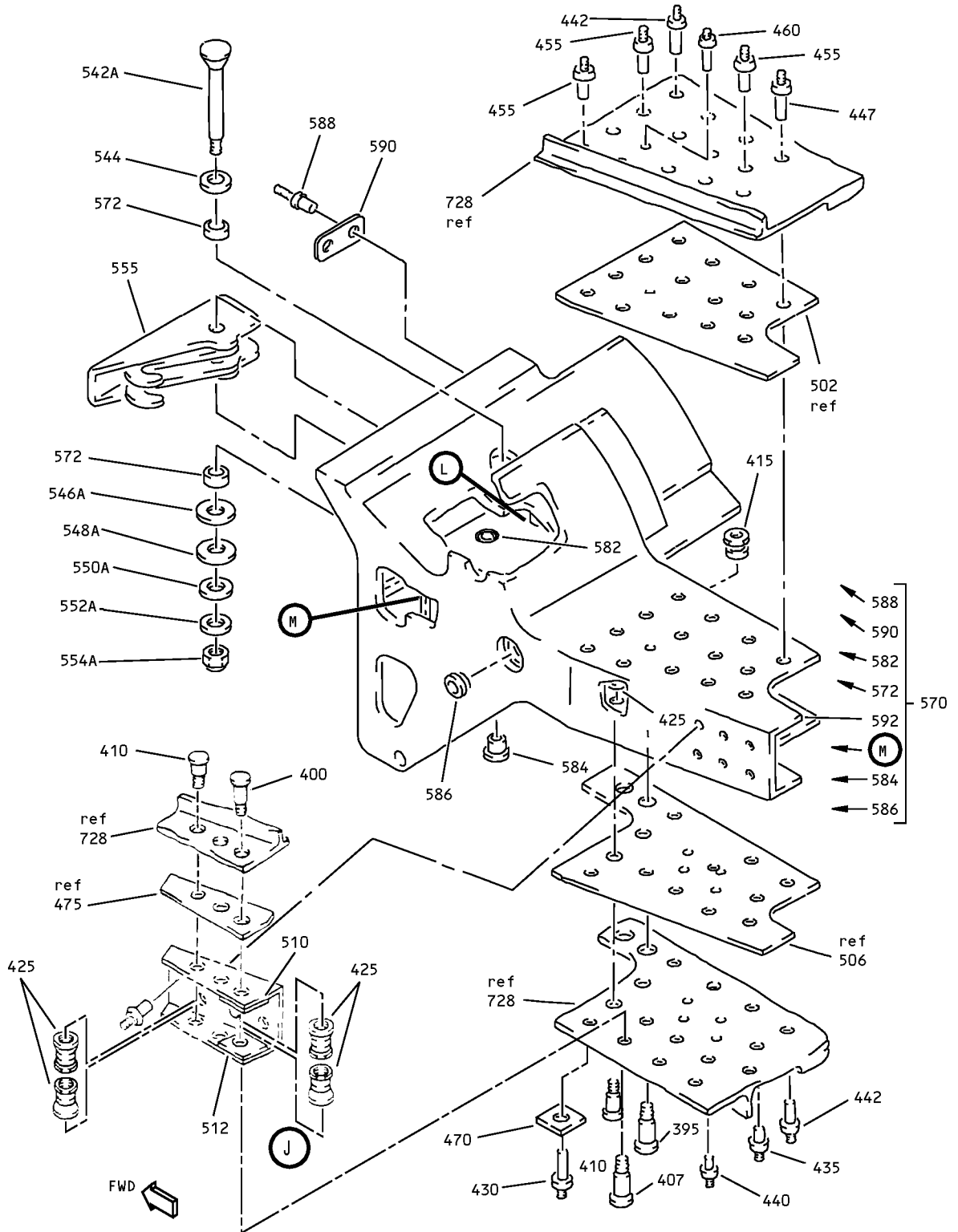
ILLUSTRATED PARTS LIST  
01.1 Page 1060K  
Nov 01/04



Lower Bifurcation Assembly  
 Figure 7 (Sheet 9)

**71-11-56**

ILLUSTRATED PARTS LIST  
 01.1 Page 1060L  
 Nov 01/04

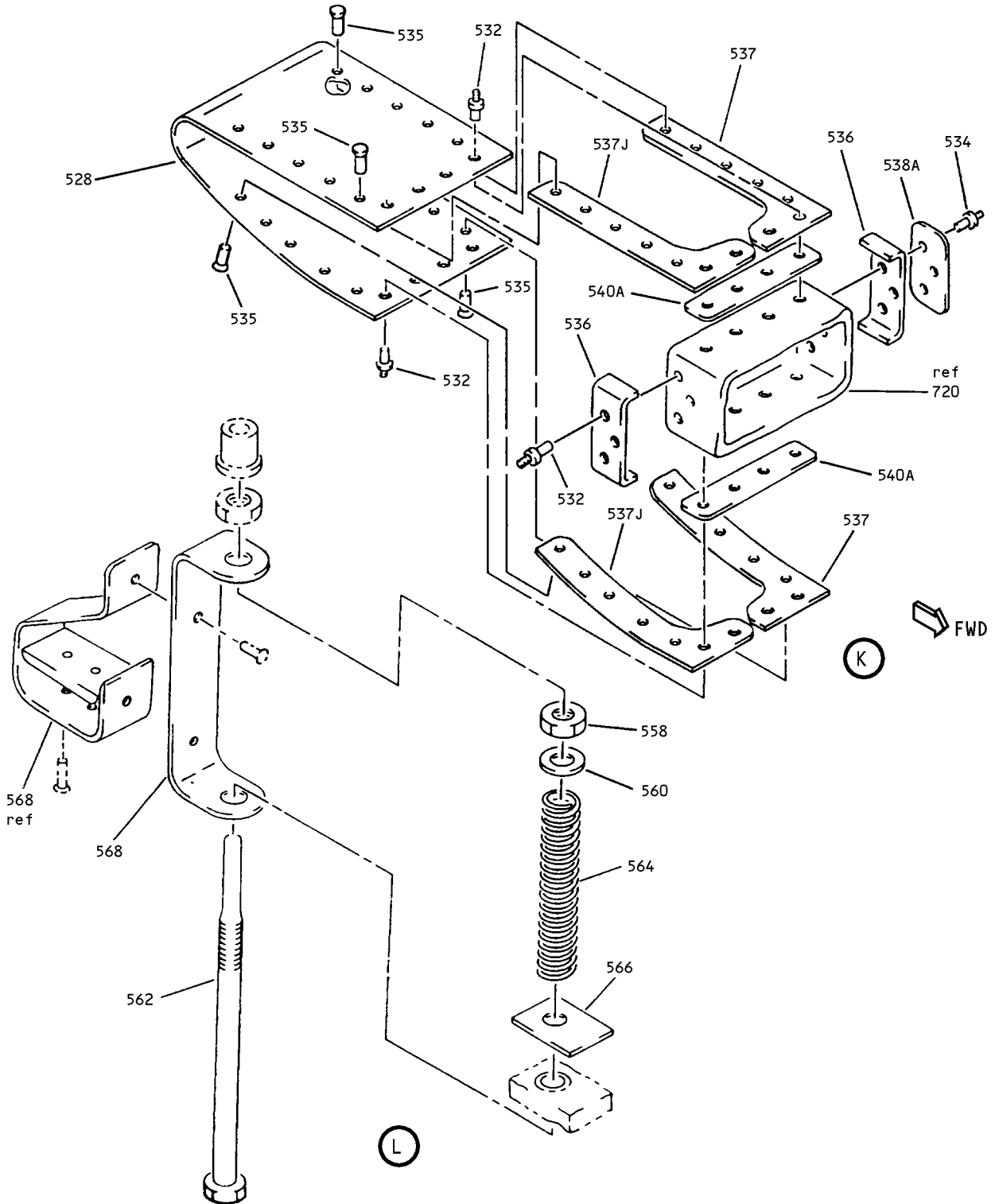


Lower Bifurcation Assembly  
Figure 7 (Sheet 10)

**71-11-56**

ILLUSTRATED PARTS LIST  
01.1 Page 1060M  
Nov 01/04

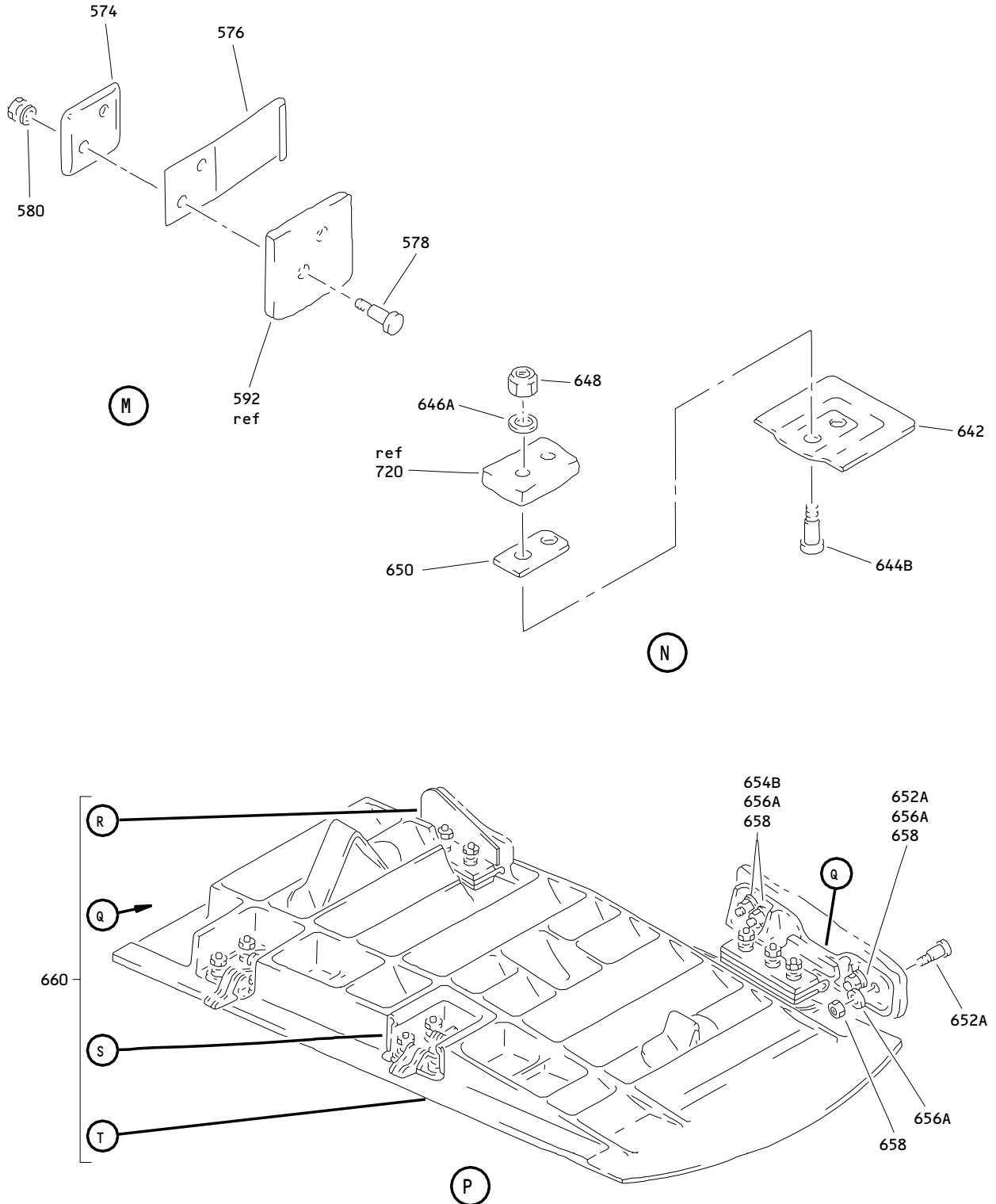




Lower Bifurcation Assembly  
 Figure 7 (Sheet 11)

**71-11-56**

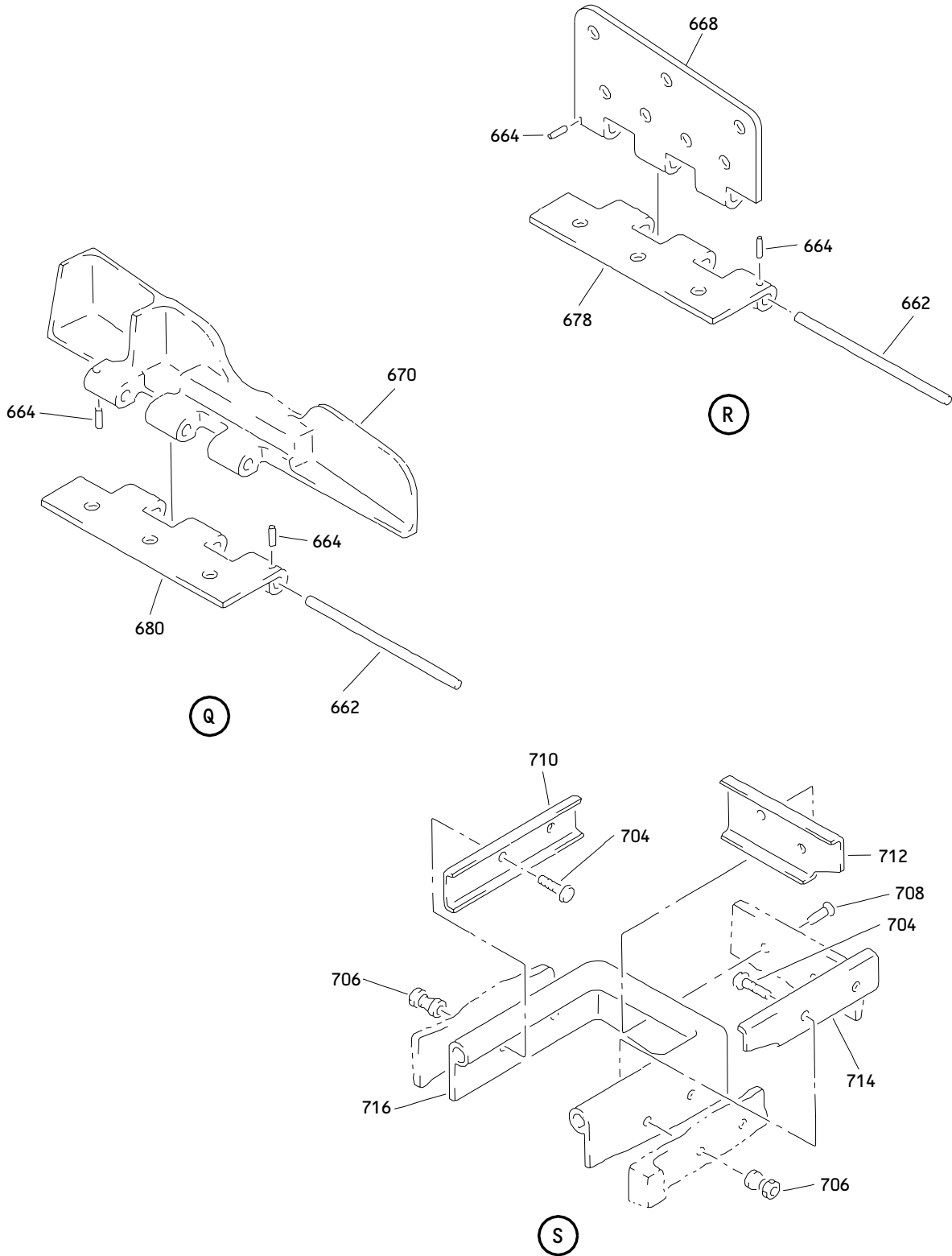
ILLUSTRATED PARTS LIST  
 01.1 Page 1060N  
 Nov 01/04



Lower Bifurcation Assembly  
Figure 7 (Sheet 12)

**71-11-56**

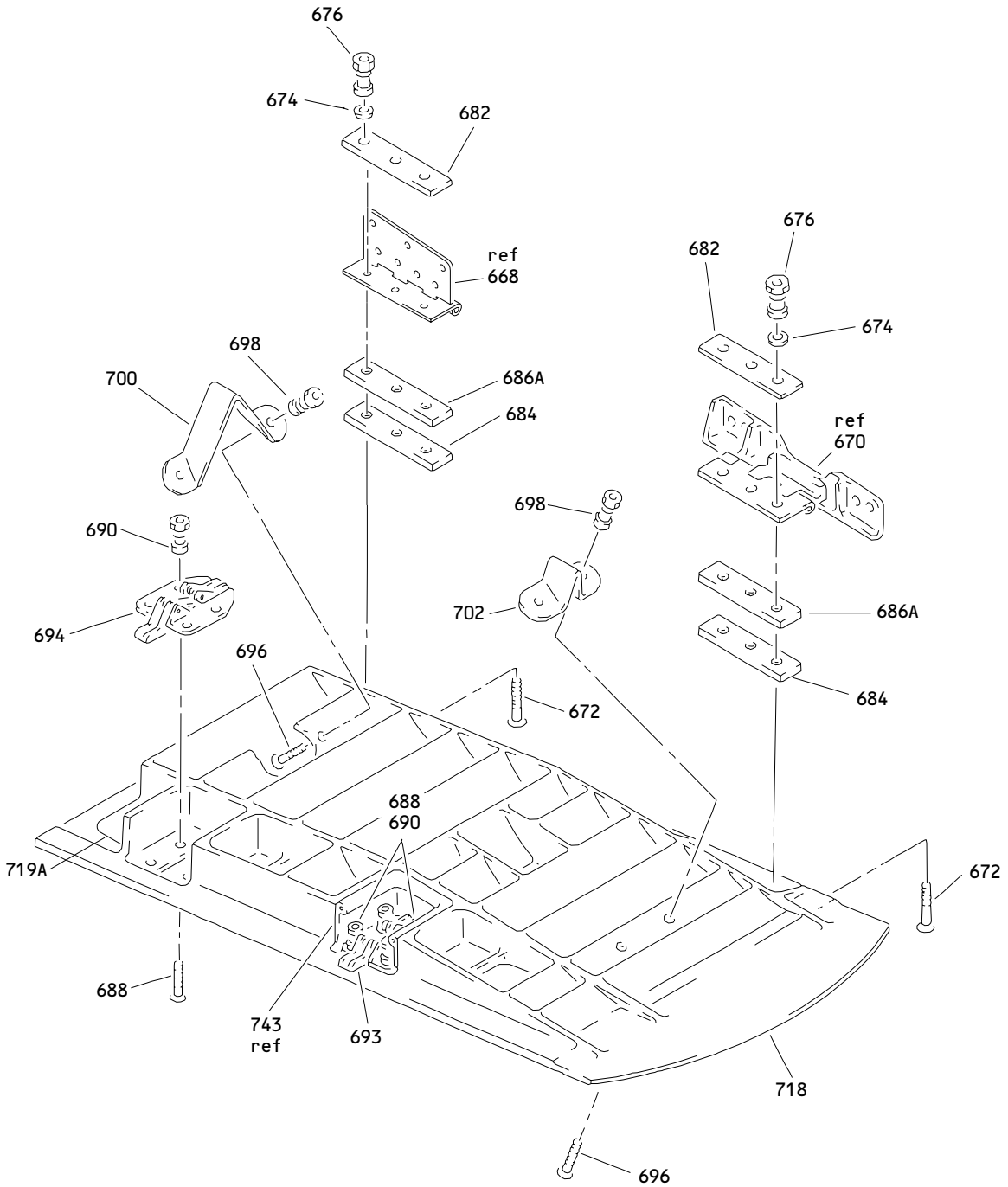
ILLUSTRATED PARTS LIST  
01.1 Page 10600  
Nov 01/04



Lower Bifurcation Assembly  
 Figure 7 (Sheet 13)

**71-11-56**

ILLUSTRATED PARTS LIST  
 01.1 Page 1060P  
 Nov 01/04

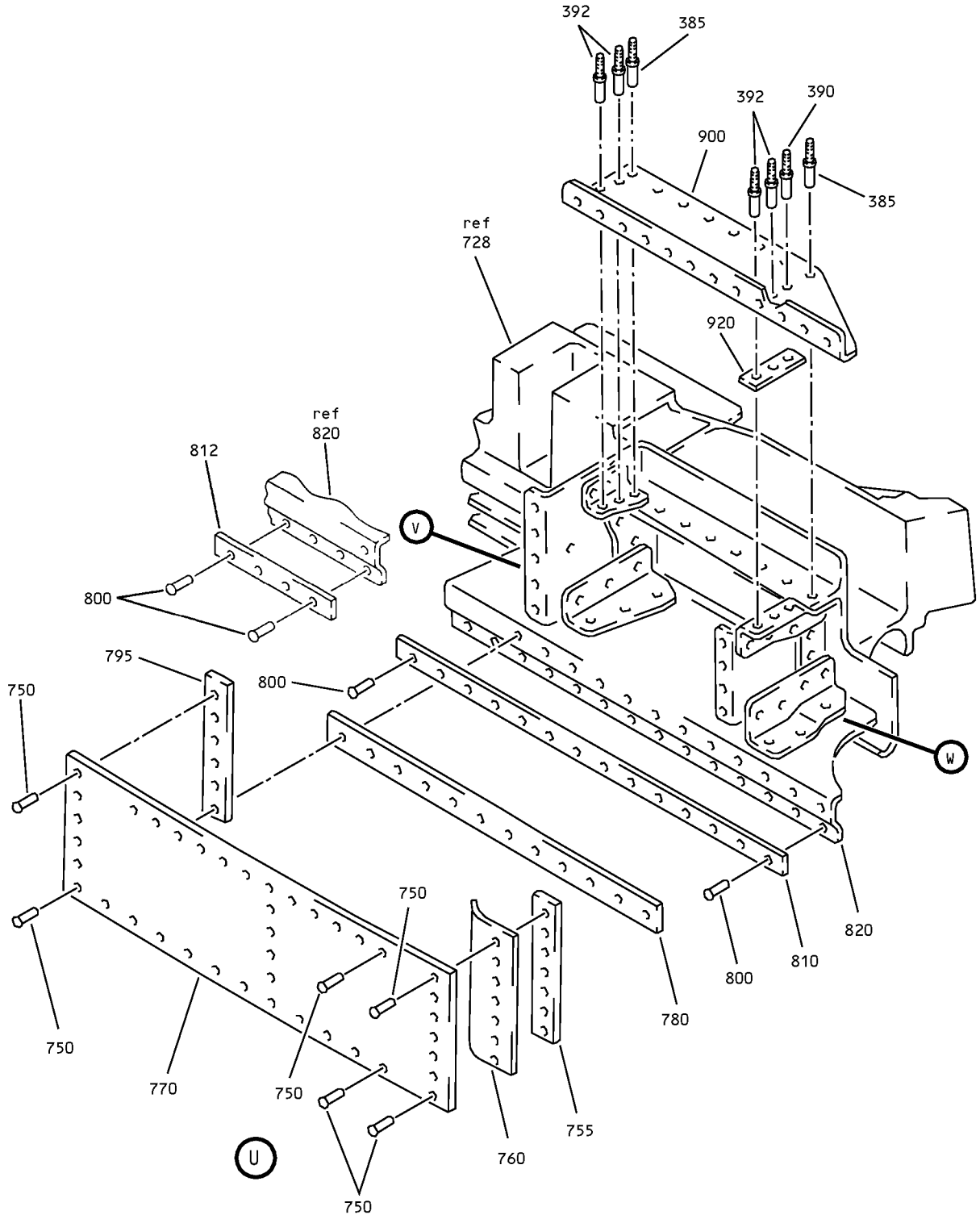


(T)

Lower Bifurcation Assembly  
Figure 7 (Sheet 14)

71-11-56

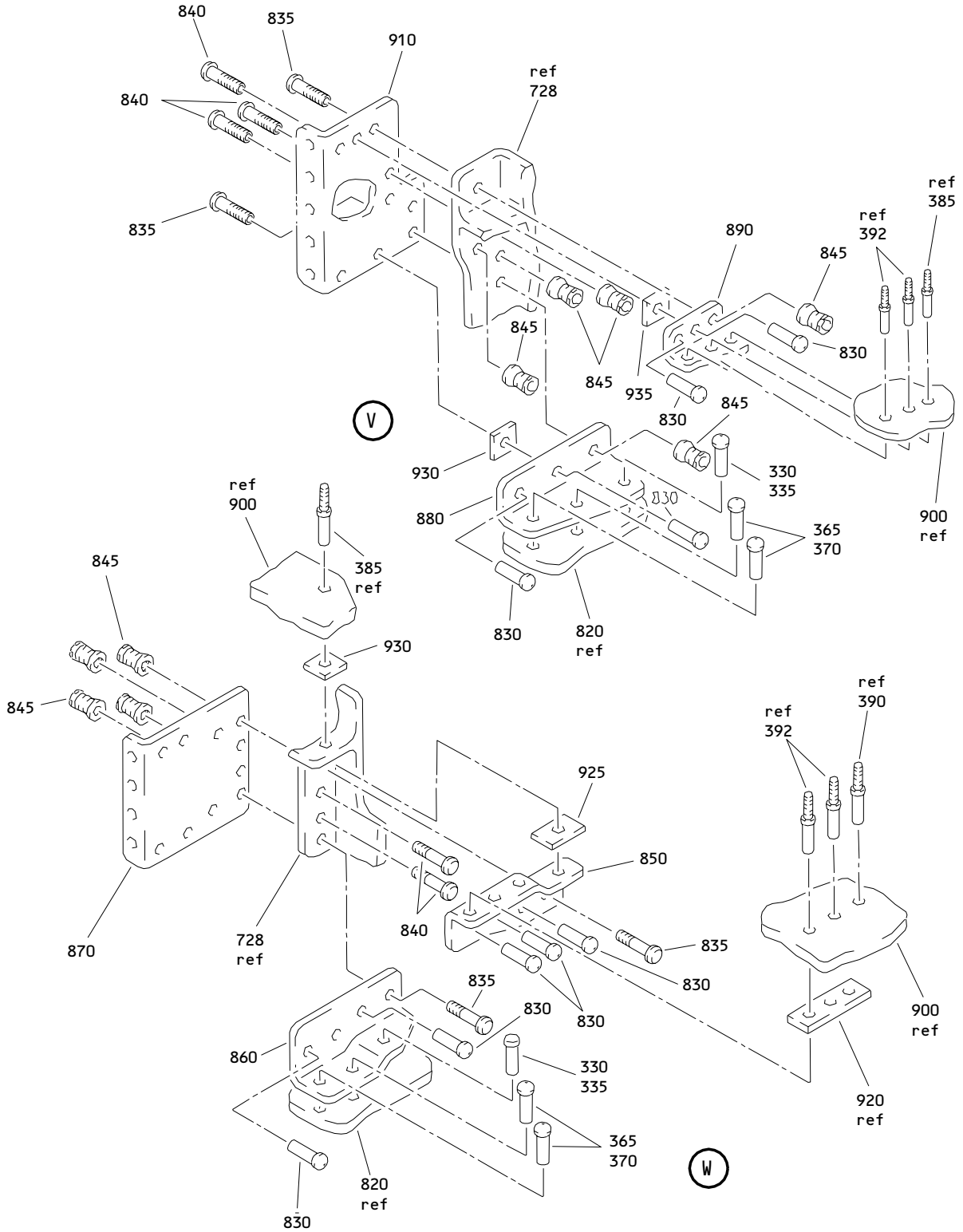
ILLUSTRATED PARTS LIST  
01.1 Page 1060Q  
Nov 01/04



Lower Bifurcation Assembly  
 Figure 7 (Sheet 15)

**71-11-56**

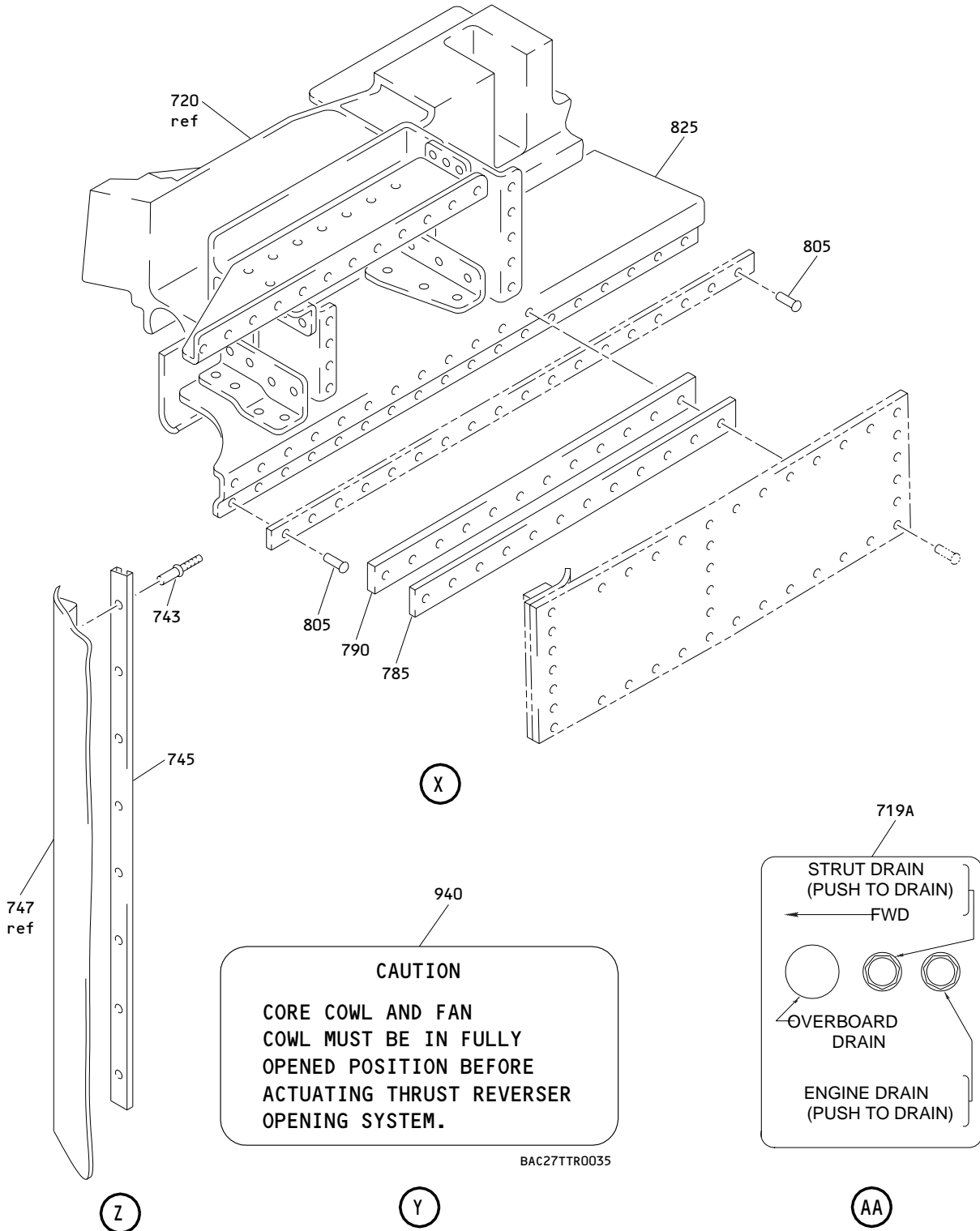
ILLUSTRATED PARTS LIST  
 01.1 Page 1060R  
 Nov 01/04



Lower Bifurcation Assembly  
Figure 7 (Sheet 16)

**71-11-56**

ILLUSTRATED PARTS LIST  
01.1 Page 1060S  
Nov 01/04



Lower Bifurcation Assembly  
 Figure 7 (Sheet 17)

**71-11-56**

ILLUSTRATED PARTS LIST  
 01.1 Page 1060T  
 Nov 01/04



**BOEING**  
COMPONENT  
MAINTENANCE MANUAL

| FIG. & ITEM | PART NO.     | AIRLINE PART NUMBER | NOMENCLATURE<br>1234567  | EFF CODE  | QTY PER ASSY |
|-------------|--------------|---------------------|--|---|--------------|
| 07-         |              |                     |  |   |              |
| -1          | 315T4400-1   |                     | BIFURCATION ASSY-LWR   | A   | RF           |
| -1A         | 315T4400-69  |                     | BIFURCATION ASSY-LWR   | B-D,<br>J-N,V<br>,Y,Z,<br>AE,AF<br>,AJ,A<br>K<br>AN-AR<br>,AW,A<br>Y,BA,<br>BB,BE<br>,BF<br>BJ,BK<br>,BN,B<br>P,BS,<br>BT,BW<br>,BX<br>CA-CC<br>,CT-C<br>V<br>DS,DT | RF           |
| -1B         | 315T4400-121 |                     | BIFURCATION ASSY-LWR   |   | RF           |
| -1C         | 315T4400-121 |                     | BIFURCATION ASSY-LWR<br>(NHA 315T4295, REF<br>COLLECTOR CMM 78-31-47)<br>(NHA 315U4295, REF<br>COLLECTOR CMM 78-31-48) |   | RF           |
| -1D         | 315T4400-131 |                     | BIFURCATION ASSY-LWR<br>(NHA 315T4295, REF<br>COLLECTOR CMM 78-31-47)  | DS  | RF           |
| -1E         | 315T4400-133 |                     | BIFURCATION ASSY-LWR<br>(NHA 315T4295, REF<br>COLLECTOR CMM 78-31-47)  | DS  | RF           |
| -1F         | 315T4400-135 |                     | BIFURCATION ASSY-LWR<br>(NHA 315U4295, REF<br>COLLECTOR CMM 78-31-48)  | DT  | RF           |
| -1G         | 315T4400-137 |                     | BIFURCATION ASSY-LWR<br>(NHA 315U4295, REF<br>COLLECTOR CMM 78-31-48)  | DT  | RF           |
| -1H         | 315T4400-139 |                     | BIFURCATION ASSY-LWR<br>(NHA 315U4295, REF<br>COLLECTOR CMM 78-31-48)  | DT  | RF           |
| -1J         | 315T4400-141 |                     | BIFURCATION ASSY-LWR<br>(NHA 315U4295, REF<br>COLLECTOR CMM 78-31-48)  | DT  | RF           |

71-11-56

ILLUSTRATED PARTS LIST  
01.1 Page 1060U  
Nov 01/04



| FIG. & ITEM | PART NO.                  | AIRLINE PART NUMBER | NOMENCLATURE<br>1234567  | EFF CODE   | QTY PER ASSY |
|-------------|---------------------------|---------------------|--|--|--------------|
| 07-<br>-1K  | 315T4400-143              |                     | BIFURCATION ASSY-LWR<br>(NHA 315T4295, REF<br>COLLECTOR CMM 78-31-47)  | DS   | RF           |
| -1L         | 315T4400-145              |                     | BIFURCATION ASSY-LWR<br>(NHA 315T4295, REF<br>COLLECTOR CMM 78-31-47)  | DS   | RF           |
| -1M         | 315T4400-147              |                     | BIFURCATION ASSY-LWR<br>(NHA 315U4295, REF<br>COLLECTOR CMM 78-31-48)  | DT   | RF           |
| -1N         | 315T4400-149              |                     | BIFURCATION ASSY-LWR<br>(NHA 315U4295, REF<br>COLLECTOR CMM 78-31-48)  | DT   | RF           |
| -1P         | 315T4400-151              |                     | BIFURCATION ASSY-LWR<br>(NHA 315U4295, REF<br>COLLECTOR CMM 78-31-48)  | DT   | RF           |
| -1Q         | 315T4400-153              |                     | BIFURCATION ASSY-LWR<br>(NHA 315U4295, REF<br>COLLECTOR CMM 78-31-48)  | DT   | RF           |
| -5<br>-5A   | 315T4400-2<br>315T4400-70 |                     | BIFURCATION ASSY-LWR<br>BIFURCATION ASSY-LWR   | E<br>F,H,Q<br>,R,T,<br>U,W,X<br>,AA,A<br>C,AD<br>AG,AH<br>,AL,A<br>M,A<br>S-AV,<br>AX,AZ<br>BC,BD<br>,BG,B<br>H,BL,<br>BM,BQ<br>,BR<br>BU,BV<br>,BY,B<br>Z | RF<br>RF     |
| -5B         | 315T4400-122              |                     | BIFURCATION ASSY-LWR   | CH-CK<br>,DA-<br>DC  | RF           |
| -5C         | 315T4400-128              |                     | BIFURCATION ASSY-LWR<br>(NHA 315T4295, REF<br>COLLECTOR CMM 78-31-47)<br>(NHA 315U4295, REF<br>COLLECTOR CMM 78-31-48) | DU,DV  | RF           |

# 71-11-56

 ILLUSTRATED PARTS LIST  
 01.1 Page 1060V  
 Nov 01/04

**BOEING**  
COMPONENT  
MAINTENANCE MANUAL

| FIG. & ITEM | PART NO.     | AIRLINE PART NUMBER | NOMENCLATURE<br>1234567   | EFF CODE  | QTY PER ASSY |
|-------------|--------------|---------------------|---|---|--------------|
| 07-<br>-5D  | 315T4400-132 |                     | BIFURCATION ASSY-LWR<br>(NHA 315T4295, REF<br>COLLECTOR CMM 78-31-47) | DU  | RF           |
| -5E         | 315T4400-134 |                     | BIFURCATION ASSY-LWR<br>(NHA 315T4295, REF<br>COLLECTOR CMM 78-31-47) | DU  | RF           |
| -5F         | 315T4400-136 |                     | BIFURCATION ASSY-LWR<br>(NHA 315U4295, REF<br>COLLECTOR CMM 78-31-48) | DV  | RF           |
| -5G         | 315T4400-138 |                     | BIFURCATION ASSY-LWR<br>(NHA 315U4295, REF<br>COLLECTOR CMM 78-31-48) | DV  | RF           |
| -5H         | 315T4400-140 |                     | BIFURCATION ASSY-LWR<br>(NHA 315U4295, REF<br>COLLECTOR CMM 78-31-48) | DV  | RF           |
| -5J         | 315T4400-142 |                     | BIFURCATION ASSY-LWR<br>(NHA 315U4295, REF<br>COLLECTOR CMM 78-31-48) | DV  | RF           |
| 10          | BACB30MY6K20 |                     | .BOLT   | A-F,<br>H-N,Q<br>,R,<br>T-AA,<br>AC-CC<br>CH-CK<br>,CT-C<br>V,D<br>A-DC,<br>DS-DV | 4            |
| 15          | BACB30MY6K24 |                     | .BOLT   | A-F,<br>H-N,Q<br>,R,<br>T-AA,<br>AC-CC<br>CH-CK<br>,CT-C<br>V,D<br>A-DC,<br>DS-DV | 7            |

**71-11-56**

ILLUSTRATED PARTS LIST  
01.1 Page 1060W  
Nov 01/04

| FIG. & ITEM | PART NO.    | AIRLINE PART NUMBER | NOMENCLATURE<br>1234567   | EFF CODE   | QTY PER ASSY |
|-------------|-------------|---------------------|---|--|--------------|
| 07-20       | HL523AZ6-20 |                     | .BOLT-<br>(V56878)<br>(SPEC BACB30NZ6K20)<br>(OPT HL523AZ6-20 (V97928))<br>(OPT HL523AZ6-20 (V97928))<br>(OPT L804-6K20 (V06725))<br>(OPT HL523AZ6-20 (V73197))<br>(OPT HL523AZ6-20 (V60516))<br>(OPT HL523AZ6-20 (V0PTK6))<br>(OPT HL523AZ6-20 (V06725)) | A-D,<br>J-N,V<br>,Y,Z,<br>AE,AF<br>,AJ,A<br>K<br>AN-AR<br>,AW,A<br>Y,BA,<br>BB,BE<br>,BF<br>BJ,BK<br>,BN,B<br>P,BS,<br>BT,BW<br>,BX<br>CA-CC<br>,CT-C<br>V,DS,<br>DT                     | 14           |
| 25          | HL523AZ6-20 |                     | .BOLT-<br>(V56878)<br>(SPEC BACB30NZ6K20)<br>(OPT HL523AZ6-20 (V97928))<br>(OPT HL523AZ6-20 (V97928))<br>(OPT L804-6K20 (V06725))<br>(OPT HL523AZ6-20 (V73197))<br>(OPT HL523AZ6-20 (V60516))<br>(OPT HL523AZ6-20 (V0PTK6))<br>(OPT HL523AZ6-20 (V06725)) | E,F,H<br>,Q,R,<br>T,U,W<br>,X,AA<br>,AC<br>AD,AG<br>,AH,A<br>L,AM,<br>AS-AV<br>,AX<br>AZ,BC<br>,BD,B<br>G,BH,<br>BL,BM<br>,BQ<br>BR,BU<br>,BV,B<br>Y,BZ,<br>CH-CK<br>DA-DC<br>,DU,D<br>V | 12           |

# 71-11-56

 ILLUSTRATED PARTS LIST  
 01.1 Page 1060X  
 Nov 01/04

 **BOEING**  
COMPONENT  
MAINTENANCE MANUAL

| FIG. & ITEM | PART NO.    | AIRLINE PART NUMBER | NOMENCLATURE<br>1234567  | EFF CODE   | QTY PER ASSY |
|-------------|-------------|---------------------|--|--|--------------|
| 07-30       | HL523AZ6-21 |                     | .BOLT-<br>(V56878)<br>(SPEC BACB30NZ6K21)<br>(OPT HL523AZ6-21<br>(V97928))<br>(OPT HL523AZ6-21<br>(V97928))<br>(OPT HL523AZ6-21<br>(V06725))<br>(OPT HL523AZ6-21<br>(V60516))<br>(OPT HL523-21<br>(V06725))<br>(OPT HL523AZ6-21<br>(V92215))<br>(OPT HL523AZ6-21<br>(V0PTK6))  | E,F,H<br>,Q,R,<br>T,U,W<br>,X,AA<br>,AC<br>AD,AG<br>,AH,A<br>L,AM,<br>AS-AV<br>,AX<br>AZ,BC<br>,BD,B<br>G,BH,<br>BL,BM<br>,BQ<br>BR,BU<br>,BV,B<br>Y,BZ,<br>CH-CK<br>DA-DC<br>,DU,D<br>V | 2            |
| 35          | HL523AZ6-24 |                     | .BOLT-<br>(V56878)<br>(SPEC BACB30NZ6K24)<br>(OPT HL523AZ6-24<br>(V97928))<br>(OPT L804-6K24<br>(V06725))<br>(OPT HL523AZ6-24<br>(V92215))<br>(OPT HL523AZ6-24<br>(V73197))<br>(OPT HL523AZ6-24<br>(V60516))<br>(OPT HL523AZ6-24<br>(V0PTK6))<br>(OPT HL523AZ6-24<br>(V06725)) | A-F,<br>H-N,Q<br>,R,<br>T-AA,<br>AC-CC<br>CH-CK<br>,CT-C<br>V,D<br>A-DC,<br>DS-DV  | 6            |

**71-11-56**

ILLUSTRATED PARTS LIST  
01.1 Page 1060Y  
Nov 01/04

| FIG. & ITEM | PART NO.   | AIRLINE PART NUMBER | NOMENCLATURE   | EFF CODE  | QTY PER ASSY |
|-------------|------------|---------------------|--|---|--------------|
| 07-37       | BACW10BM3D |                     | .WASHER  | A-D,<br>J-N,V<br>,Y,Z,<br>AE,AF<br>,AJ,A<br>K<br>AN-AR<br>,AW,A<br>Y,BA,<br>BB,BE<br>,BF<br>BJ,BK<br>,BN,B<br>P,BS,<br>BT,BW<br>,BX<br>CA-CC<br>,CT-C<br>V,D<br>S-DV<br>A-F,<br>H-N,Q<br>,R,<br>T-AA,<br>AC-CC<br>CH-CK<br>,CT-C<br>V,D<br>A-DC,<br>DS-DV | AR           |
| 40          | HL79-6     |                     | .COLLAR-<br>(V5M902)<br>(SPEC BACC30M6)<br>(OPT HL79-6<br>(V73197))<br>(OPT HL79-6<br>(V92215))<br>(OPT 66014-6<br>(V56878))<br>(OPT HL79-6<br>(V56878)) |   | 31           |

# 71-11-56

 ILLUSTRATED PARTS LIST  
 01.1 Page 1060Z  
 Nov 01/04

| FIG. & ITEM      | PART NO.                    | AIRLINE PART NUMBER | NOMENCLATURE   | EFF CODE  | QTY PER ASSY |
|------------------|-----------------------------|---------------------|--|---|--------------|
|                  |                             |                     | 1234567  |   |              |
| 07-<br>45<br>45A | ASFPDPT6-20<br>ASFPDPT06-20 |                     | DELETED<br>.PIN-<br>(V17446)<br>(ASFPDPT6-20,<br>ASFPD-PT6-20 AND<br>ASFPD-PT06-20 ARE<br>EQUIVALENT PART NUMBERS) | A-F,<br>H-N,Q<br>,R,<br>T-AA,<br>AC-CC<br>CH-CK<br>,CT-C<br>V,D<br>A-DC,<br>DS-DV<br>A-D,<br>L-N,V<br>,Y,Z,<br>AE,AF<br>,AJ,A<br>K<br>AN-AR<br>,AW,A<br>Y,BA,<br>BB,BE<br>,BF<br>BJ,BK<br>,BN,B<br>P,BS,<br>BT,BW<br>,BX<br>CA-CC<br>,CT-C<br>V,DS,<br>DT | 2            |
| 50               | ASPFDT6-18                  |                     | .PIN-<br>(V17446)<br>(ASPFDT6-18,<br>ASPF-PT6-18 AND<br>ASPF-PT06-18 ARE<br>EQUIVALENT PART NUMBERS)               |   | 1            |

71-11-56

ILLUSTRATED PARTS LIST  
01.1 Page 1061  
Nov 01/04

| FIG. & ITEM  | PART NO.                  | AIRLINE PART NUMBER | NOMENCLATURE<br>1234567   | EFF CODE   | QTY PER ASSY |
|--------------|---------------------------|---------------------|---|--|--------------|
| 07-55<br>55A | ASPFDT6-20<br>ASPFDT06-20 |                     | DELETED<br>.PIN-<br>(V17446)<br>(ASPFDT6-20,<br>ASPFF-DT6-20 AND<br>ASPFF-DT06-20 ARE<br>EQUIVALENT PART NUMBERS) | E, F, H<br>, Q, R,<br>, T, U, W<br>, X, AA<br>, AC<br>AD, AG<br>, AH, A<br>L, AM,<br>AS-AV<br>, AX<br>AZ, BC<br>, BD, B<br>G, BH,<br>BL, BM<br>, BQ<br>BR, BU<br>, BV, B<br>Y, BZ,<br>CH-CK<br>DA-DC<br>, DU, D<br>V | 1            |
| 60           | ASPFDT6-15                |                     | .PIN-<br>(V17446)<br>(ASPFDT6-15,<br>ASPFF-DT6-15 AND<br>ASPFF-DT06-15 ARE<br>EQUIVALENT PART NUMBERS)            | A-D,<br>J-N, V<br>, Y, Z,<br>AE, AF<br>, AJ, A<br>K<br>AN-AR<br>, AW, A<br>Y, BA,<br>BB, BE<br>, BF<br>BJ, BK<br>, BN, B<br>P, BS,<br>BT, BW<br>, BX<br>CA-CC<br>, CT-C<br>V, DS,<br>DT                              | 1            |

# 71-11-56

 ILLUSTRATED PARTS LIST  
 01.1 Page 1062  
 Nov 01/04

 **BOEING**  
COMPONENT  
MAINTENANCE MANUAL

| FIG. & ITEM | PART NO.   | AIRLINE PART NUMBER | NOMENCLATURE<br>1234567   | EFF CODE   | QTY PER ASSY |
|-------------|------------|---------------------|---|--|--------------|
| 07-65       | ASPFDT6-17 |                     | .PIN-<br>(V17446)<br>(ASPFDT6-17,<br>ASPFDT6-17 AND<br>ASPFDT6-17 ARE<br>EQUIVALENT PART NUMBERS) | E,F,H<br>,Q,R,<br>T,U,W<br>,X,AA<br>,AC<br>AD,AG<br>,AH,A<br>L,AM,<br>AS-AV<br>,AX<br>AZ,BC<br>,BD,B<br>G,BH,<br>BL,BM<br>,BQ<br>BR,BU<br>,BV,B<br>Y,BZ,<br>CH-CK<br>DA-DC<br>,DU,D<br>V | 1            |
| 70          | ASPFDT6-13 |                     | .PIN-<br>(V17446)<br>(ASPFDT6-13,<br>ASPFDT6-13 AND<br>ASPFDT6-13 ARE<br>EQUIVALENT PART NUMBERS) | A-F,<br>H-N,Q<br>,R,<br>T-AA,<br>AC-CC<br>CH-CK<br>,CT-C<br>V,D<br>A-DC,<br>DS-DV  | 1            |
| 75          | ASPFDT6-11 |                     | .PIN-<br>(V17446)<br>(ASPFDT6-11,<br>ASPFDT6-16 AND<br>ASPFDT6-16 ARE<br>EQUIVALENT PART NUMBERS) | A-F,<br>H-N,Q<br>,R,<br>T-AA,<br>AC-CC<br>CH-CK<br>,CT-C<br>V,D<br>A-DC,<br>DS-DV  | 1            |
| 80          | ASPFDT6-9  |                     | DELETED   |  |              |

**71-11-56**

ILLUSTRATED PARTS LIST  
01.1 Page 1062A  
Nov 01/04



| FIG. & ITEM | PART NO.                   | AIRLINE PART NUMBER | NOMENCLATURE<br>1234567   | EFF CODE  | QTY PER ASSY |
|-------------|----------------------------|---------------------|---|---|--------------|
| 07-80A      | ASPFFDT06-09               |                     | .PIN-<br>(V17446)<br>(ASPFFDT6-09,<br>ASPFF-DT6-09 AND<br>ASPFF-DT06-09 ARE<br>EQUIVALENT PART NUMBERS) | A-F,<br>H-N,Q<br>,R,<br>T-AA,<br>AC-CC<br>CH-CK<br>,CT-C<br>V,D<br>A-DC,<br>DS-DV | 1            |
| 85<br>85A   | ASPFFDT6-7<br>ASPFFDT06-07 |                     | DELETED<br>.PIN-<br>(V17446)  | A-F,<br>H-N,Q<br>,R,<br>T-AA,<br>AC-CC<br>CH-CK<br>,CT-C<br>V,D<br>A-DC,<br>DS-DV | 1            |
| 90          | 2ASPPSDT6                  |                     | .SLEEVE-<br>(V17446)  | A-F,<br>H-N,Q<br>,R,<br>T-AA,<br>AC-CC<br>CH-CK<br>,CT-C<br>V,D<br>A-DC,<br>DS-DV | 2            |
| 95          | ASPFSDT6                   |                     | .SLEEVE-<br>(V17446)<br>(ASPFSDT6, ASPFS-DT6<br>AND ASPFS-DT06 ARE<br>EQUIVALENT PART NUMBERS)          | A-F,<br>H-N,Q<br>,R,<br>T-AA,<br>AC-CC<br>CH-CK<br>,CT-C<br>V,D<br>A-DC,<br>DS-DV | 6            |

# 71-11-56

 ILLUSTRATED PARTS LIST  
 01.1 Page 1062B  
 Nov 01/04

 **BOEING**  
COMPONENT  
MAINTENANCE MANUAL

| FIG. & ITEM | PART NO.      | AIRLINE PART NUMBER | NOMENCLATURE<br>1234567   | EFF CODE  | QTY PER ASSY |
|-------------|---------------|---------------------|---|---|--------------|
| 07-100      | ASPLC2AC6     |                     | .COLLAR-<br>(V17446)<br>(ASPLC2AC6, ASP-LC2AC6<br>AND ASP-LC2AC06 ARE<br>EQUIVALENT PART NUMBERS)         | A-F,<br>H-N,Q<br>,R,<br>T-AA,<br>AC-CC<br>CH-CK<br>,CT-C<br>V,D<br>A-DC,<br>DS-DV   | 8            |
| 105         | MS21141U0620P |                     | .FASTENER-<br>(ITEM 105A OPT ITEM 105<br>IF AND WHEN A FASTENER<br>ONE GRIP LENGTH LONGER<br>IS REQUIRED) | A-D,<br>J-N,V<br>,Y,Z,<br>AE,AF<br>,AJ,A<br>K<br>AN-AR<br>,AW,A<br>Y,BA,<br>BB,BE<br>,BF<br>BJ,BK<br>,BN,B<br>P,BS,<br>BT,BW<br>,BX<br>CA-CC<br>,CT-C<br>V,DS | 14           |

71-11-56

ILLUSTRATED PARTS LIST  
01.1 Page 1062C  
Nov 01/04

| FIG. & ITEM  | PART NO.      | AIRLINE PART NUMBER | NOMENCLATURE<br>1234567   | EFF CODE  | QTY PER ASSY |
|--------------|---------------|---------------------|---|---|--------------|
| 07-<br>-105A | UBPEU06-21CD  |                     | .BOLT-<br>(V17446)<br>(ITEM 105A OPT ITEM 105<br>IF AND WHEN A FASTENER<br>ONE GRIP LENGTH LONGER<br>IS REQUIRED) | A-D,<br>J-N,V<br>,Y,Z,<br>AE,AF<br>,AJ,A<br>K<br>AN-AR<br>,AW,A<br>Y,BA,<br>BB,BE<br>,BF<br>BJ,BK<br>,BN,B<br>P,BS,<br>BT,BW<br>,BX<br>CA-CC<br>,CT-C<br>V,DS<br>DT | 14           |
| -105B        | MS21141U0620P |                     | .FASTENER-<br>(OPT ITEM 105C)   | DT  | 14           |
| -105C        | UBPEU06-21CD  |                     | .BOLT-<br>(V17446)<br>(OPT ITEM 105B)   | DT  | 14           |

# 71-11-56

 ILLUSTRATED PARTS LIST  
 01.1 Page 1062D  
 Nov 01/04

 **BOEING**  
COMPONENT  
MAINTENANCE MANUAL

| FIG. & ITEM | PART NO.      | AIRLINE PART NUMBER | NOMENCLATURE   | EFF CODE   | QTY PER ASSY |
|-------------|---------------|---------------------|--|--|--------------|
| 07-110      | MS21141U0620P |                     | .FASTENER-<br>(ITEM 110A OPT ITEM 110 IF AND WHEN A FASTENER ONE GRIP LENGTH LONGER IS REQUIRED)         | E,F,H<br>,Q,R,<br>T,U,W<br>,X,AA<br>,AC<br>AD,AG<br>,AH,A<br>L,AM,<br>AS-AV<br>,AX<br>AZ,BC<br>,BD,B<br>G,BH,<br>BL,BM<br>,BQ<br>BR,BU<br>,BV,B<br>Y,BZ,<br>CH-CK<br>DA-DC<br>,DU,D<br>V | 12           |
| -110A       | UBPEU06-21CD  |                     | .BOLT-<br>(V17446)<br>(ITEM 110A OPT ITEM 110 IF AND WHEN A FASTENER ONE GRIP LENGTH LONGER IS REQUIRED) | E,F,H<br>,Q,R,<br>T,U,W<br>,X,AA<br>,AC<br>AD,AG<br>,AH,A<br>L,AM,<br>AS-AV<br>,AX<br>AZ,BC<br>,BD,B<br>G,BH,<br>BL,BM<br>,BQ<br>BR,BU<br>,BV,B<br>Y,BZ,<br>CH-CK<br>DA-DC<br>,DU,D<br>V | 12           |

71-11-56

ILLUSTRATED PARTS LIST  
01.1 Page 1062E  
Nov 01/04

| FIG. & ITEM        | PART NO.                      | AIRLINE PART NUMBER | NOMENCLATURE                  | EFF CODE   | QTY PER ASSY |
|--------------------|-------------------------------|---------------------|-------------------------------|--|--------------|
| 07-<br>115<br>115A | MS21141U0621P<br>UBPEU06-21CD |                     | DELETED<br>.BOLT-<br>(V17446) | E, F, H<br>, Q, R,<br>, T, U, W<br>, X, AA<br>, AC<br>AD, AG<br>, AH, A<br>L, AM,<br>AS-AV<br>, AX<br>AZ, BC<br>, BD, B<br>G, BH,<br>BL, BM<br>, BQ<br>BR, BU<br>, BV, B<br>Y, BZ,<br>CH-CK<br>DA-DC<br>, DU, D<br>V | 2            |
| 120                | 315T4400-42                   |                     | .SUPPORT ASSY                 | E, F, H<br>, Q, R,<br>, T, U, W<br>, X, AA<br>, AC<br>AD, AG<br>, AH, A<br>L, AM,<br>AS-AV<br>, AX<br>AZ, BC<br>, BD, B<br>G, BH,<br>BL, BM<br>, BQ<br>BR, BU<br>, BV, B<br>Y, BZ,<br>CH-CK<br>DA-DC<br>, DU, D<br>V | 1            |

# 71-11-56

 ILLUSTRATED PARTS LIST  
 01.1 Page 1062F  
 Nov 01/04

 **BOEING**  
COMPONENT  
MAINTENANCE MANUAL

| FIG. & ITEM | PART NO.      | AIRLINE PART NUMBER | NOMENCLATURE   | EFF CODE   | QTY PER ASSY |
|-------------|---------------|---------------------|--|--|--------------|
| 07-125      | BACR15BA3AD   |                     | 1234567<br>..RIVET-<br>(SIZE DETERMINE ON INST)  | E,F,H<br>,Q,R,<br>T,U,W<br>,X,AA<br>,AC<br>AD,AG<br>,AH,A<br>L,AM,<br>AS-AV<br>,AX<br>AZ,BC<br>,BD,B<br>G,BH,<br>BL,BM<br>,BQ<br>BR,BU<br>,BV,B<br>Y,BZ,<br>CH-CK<br>DA-DC<br>,DU,D<br>V | 4            |
| 130         | BRF200C3M     |                     | ..NUTPLATE-<br>(V52828)<br>(SPEC BACN10JR3CFM)<br>(OPT F5001-3BAC<br>(V15653))<br>(OPT NS103203SE02<br>(V80539))<br>(OPT T8092C1032<br>(V11815))<br>(OPT VN152D1-02<br>(V92215))<br>(OPT 109F9201-3<br>(V72962)) | E,F,H<br>,Q,R,<br>T,U,W<br>,X,AA<br>,AC<br>AD,AG<br>,AH,A<br>L,AM,<br>AS-AV<br>,AX<br>AZ,BC<br>,BD,B<br>G,BH,<br>BL,BM<br>,BQ<br>BR,BU<br>,BV,B<br>Y,BZ,<br>CH-CK<br>DA-DC<br>,DU,D<br>V | 2            |
| 135         | BACS4OR09C67F |                     | DELETED  |  |              |

**71-11-56**

ILLUSTRATED PARTS LIST  
01.1 Page 1062G  
Nov 01/04

| FIG. & ITEM | PART NO.                          | AIRLINE PART NUMBER | NOMENCLATURE     | EFF CODE   | QTY PER ASSY |
|-------------|-----------------------------------|---------------------|------------------|--|--------------|
| 07-135A     | BACS40R009C067F                   |                     | .SHIM            | A-F,<br>H-N,Q<br>,R,<br>T-AA,<br>AC-CC<br>CH-CK<br>,CT-C<br>V,D<br>A-DC,<br>DS-DV  | AR           |
| 137         | BACF3H07DK007HN                   |                     | .FILLER          | A-D,<br>J-N,V<br>,Y,Z,<br>AE,AF<br>,AJ,A<br>K<br>AN-AR<br>,AW,A<br>Y,BA,<br>BB,BE<br>,BF<br>BJ,BK<br>,BN,B<br>P,BS,<br>BT,BW<br>,BX<br>CA-CC<br>,CT-C<br>V,DS,<br>DT | AR           |
| 140<br>140A | BACS40R09C332F<br>BACS40R009C332F |                     | DELETED<br>.SHIM | A-F,<br>H-N,Q<br>,R,<br>T-AA,<br>AC-CC<br>CH-CK<br>,CT-C<br>V,D<br>A-DC,<br>DS-DV  | AR           |

# 71-11-56

 ILLUSTRATED PARTS LIST  
 01.1 Page 1062H  
 Nov 01/04

| FIG. & ITEM        | PART NO.                         | AIRLINE PART NUMBER | NOMENCLATURE     | EFF CODE  | QTY PER ASSY |
|--------------------|----------------------------------|---------------------|------------------|---|--------------|
|                    |                                  |                     | 1234567          |   |              |
| 07-<br>145<br>145A | BACS4OR09C53F<br>BACS4OR009C053F |                     | DELETED<br>.SHIM | A-F,<br>H-N,Q<br>,R,<br>T-AA,<br>AC-CC<br>CH-CK<br>,CT-C<br>V,D<br>A-DC,<br>DS-DV | AR           |
| 150<br>150A        | BACS4OR09C90F<br>BACS4OR009C090F |                     | DELETED<br>.SHIM | A-F,<br>H-N,Q<br>,R,<br>T-AA,<br>AC-CC<br>CH-CK<br>,CT-C<br>V,D<br>A-DC,<br>DS-DV | AR           |
| 155<br>155A        | BACS4OR19C41F<br>BACS4OR019C041F |                     | DELETED<br>.SHIM | A-F,<br>H-N,Q<br>,R,<br>T-AA,<br>AC-CC<br>CH-CK<br>,CT-C<br>V,D<br>A-DC,<br>DS-DV | AR           |

71-11-56

ILLUSTRATED PARTS LIST  
01.1 Page 1062I  
Nov 01/04



| FIG. & ITEM | PART NO.     | AIRLINE PART NUMBER | NOMENCLATURE  | EFF CODE  | QTY PER ASSY |
|-------------|--------------|---------------------|---|---|--------------|
| 07-160      | BACR15BB5AD  |                     | .RIVET-<br>(SIZE DETERMINE ON INST)                     | A-F,<br>H-N,Q<br>,R,<br>T-AA,<br>AC-CC<br>CH-CK<br>,CT-C<br>V,D<br>A-DC,<br>DS-DV | 21           |
| 165         | NAS1398CW5-2 |                     | .RIVET  | A-F,<br>H-N,Q<br>,R,<br>T-AA,<br>AC-CC<br>CH-CK<br>,CT-C<br>V,D<br>A-DC,<br>DS-DV | 9            |
| 166         | NAS1398CW5-2 |                     | .RIVET  | A   | 1            |
| 166A        | NAS1398CW5-2 |                     | .RIVET-<br>(LIMITED)<br>(USED WITH ITEMS 260A,<br>265A) | B-D,F<br>,H-N,<br>Q,R,<br>T-AA,<br>AC-BZ  | 1            |
| 167         | NAS1739E5-3  |                     | .RIVET  | A-F,<br>H-N,Q<br>,R,<br>T-AA,<br>AC-CC<br>CH-CK<br>,CT-C<br>V,D<br>A-DC,<br>DS-DV | 5            |

# 71-11-56

 ILLUSTRATED PARTS LIST  
 01.1 Page 1062J  
 Nov 01/04

| FIG. & ITEM | PART NO.                  | AIRLINE PART NUMBER | NOMENCLATURE<br>1234567 | EFF CODE  | QTY PER ASSY |
|-------------|---------------------------|---------------------|-------------------------|---|--------------|
| 07-170      | BACB30MY5K17              |                     | .BOLT                   | A-F,<br>H-N,Q<br>,R,<br>T-AA,<br>AC-CC<br>CH-CK<br>,CT-C<br>V,D<br>A-DC,<br>DS-DV | 11           |
| 175         | BACB30MY5K3               |                     | .BOLT                   | A-F,<br>H-N,Q<br>,R,<br>T-AA,<br>AC-CC<br>CH-CK<br>,CT-C<br>V,D<br>A-DC,<br>DS-DV | 13           |
| 180<br>180A | HL10VAZ5-4<br>BACB30MY6K4 |                     | DELETED<br>.BOLT        | A-F,<br>H-N,Q<br>,R,<br>T-AA,<br>AC-CC<br>CH-CK<br>,CT-C<br>V,D<br>A-DC,<br>DS-DV | 4            |

**71-11-56**

ILLUSTRATED PARTS LIST  
01.1 Page 1062K  
Nov 01/04

| FIG. & ITEM | PART NO.      | AIRLINE PART NUMBER | NOMENCLATURE<br>1234567  | EFF CODE  | QTY PER ASSY |
|-------------|---------------|---------------------|--|---|--------------|
| 07-185      | HL70-5        |                     | .COLLAR-<br>(V5M902)<br>(SPEC BACC30M5)<br>(OPT HL70-5<br>(V73197))<br>(OPT HL70-5<br>(V92215))<br>(OPT 66014-5<br>(V56878))<br>(OPT HL70-5<br>(V56878)) | A-F,<br>H-N,Q<br>,R,<br>T-AA,<br>AC-CC<br>CH-CK<br>,CT-C<br>V,D<br>A-DC,<br>DS-DV | 24           |
| 187         | HL79-6        |                     | .COLLAR-<br>(V5M902)<br>(SPEC BACC30M6)<br>(OPT HL79-6<br>(V73197))<br>(OPT HL79-6<br>(V92215))<br>(OPT 66014-6<br>(V56878))<br>(OPT HL79-6<br>(V56878)) | A-F,<br>H-N,Q<br>,R,<br>T-AA,<br>AC-CC<br>CH-CK<br>,CT-C<br>V,D<br>A-DC,<br>DS-DV | 4            |
| 190         | NAS1398CW6-12 |                     | DELETED  |   |              |
| 190A        | MS21141-0612  |                     | .RIVET   | A-F,<br>H-N,Q<br>,R,<br>T-AA,<br>AC-BZ  | 1            |
| 190B        | MS21141U0612  |                     | .RIVET   | CA-CC<br>,CH-C<br>K,C<br>T-CV,<br>DA-DC<br>DS-DV                                  | 1            |
| 195         | NAS1398CW6-11 |                     | .RIVET   | A-F,<br>H-N,Q<br>,R,<br>T-AA,<br>AC-CC<br>CH-CK<br>,CT-C<br>V,D<br>A-DC,<br>DS-DV | 1            |

# 71-11-56

 ILLUSTRATED PARTS LIST  
 01.1 Page 1062L  
 Nov 01/04

 **BOEING**  
COMPONENT  
MAINTENANCE MANUAL

| FIG. & ITEM | PART NO.     | AIRLINE PART NUMBER | NOMENCLATURE | EFF CODE  | QTY PER ASSY |
|-------------|--------------|---------------------|--------------|---|--------------|
| 07-200      | NAS1398CW6-8 |                     | .RIVET       | A-F,<br>H-N,Q<br>,R,<br>T-AA,<br>AC-CC<br>CH-CK<br>,CT-C<br>V,D<br>A-DC,<br>DS-DV | 1            |
| 205         | NAS1398CW5-6 |                     | .RIVET       | A-F,<br>H-N,Q<br>,R,<br>T-AA,<br>AC-CC<br>CH-CK<br>,CT-C<br>V,D<br>A-DC,<br>DS-DV | 1            |
| 210         | NAS1398CW5-4 |                     | .RIVET       | A-F,<br>H-N,Q<br>,R,<br>T-AA,<br>AC-CC<br>CH-CK<br>,CT-C<br>V,D<br>A-DC,<br>DS-DV | 1            |

**71-11-56**

ILLUSTRATED PARTS LIST  
01.1 Page 1062M  
Nov 01/04

| FIG. & ITEM        | PART NO.                   | AIRLINE PART NUMBER | NOMENCLATURE                                   | EFF CODE  | QTY PER ASSY |
|--------------------|----------------------------|---------------------|--|---|--------------|
| 07-<br>215<br>215A | NAS1398CW5-3<br>BACR15CE5D |                     | DELETED<br>.RIVET-<br>(SIZE DETERMINE ON INST) | A-F,<br>H-N,Q<br>,R,<br>T-AA,<br>AC-CC<br>CH-CK<br>,CT-C<br>V,D<br>A-DC,<br>DS-DV   | 2            |
| 220                | 315T4400-49                |                     | .FAIRING-<br>(LIMITED)                         | B-D,<br>J-N,V<br>,Y,Z,<br>AE,AF<br>,AJ,A<br>K<br>AN-AR<br>,AW,A<br>Y,BA,<br>BB,BE<br>,BF<br>BJ,BK<br>,BN,B<br>P,BS,<br>BT,BW<br>,BX | 1            |
| -220A              | 315T4400-99                |                     | .FAIRING-<br>(LIMITED)                         | B-D,<br>J-N,V<br>,Y,Z,<br>AE,AF<br>,AJ,A<br>K<br>AN-AR<br>,AW,A<br>Y,BA,<br>BB,BE<br>,BF<br>BJ,BK<br>,BN,B<br>P,BS,<br>BT,BW<br>,BX | 1            |

# 71-11-56

 ILLUSTRATED PARTS LIST  
 01.1 Page 1062N  
 Nov 01/04

 **BOEING**  
COMPONENT  
MAINTENANCE MANUAL

| FIG. & ITEM | PART NO.     | AIRLINE PART NUMBER | NOMENCLATURE            | EFF CODE  | QTY PER ASSY |
|-------------|--------------|---------------------|-------------------------|---|--------------|
|             |              |                     | 1234567                 |   |              |
| 07-         |              |                     |                         |   |              |
| -220B       | 315T4400-49  |                     | . FAIRING               | A   | 1            |
| -220C       | 315T4400-123 |                     | . FAIRING-<br>(LIMITED) | B-D,<br>J-N,V<br>,Y,Z,<br>AE,AF<br>,AJ,A<br>K<br>AN-AR<br>,AW,A<br>Y,BA,<br>BB,BE<br>,BF<br>BJ,BK<br>,BN,B<br>P,BS,<br>BT,BW<br>,BX<br>CA-CC<br>,CT-C<br>V,DS,<br>DT<br>F,H,Q<br>,R,T,<br>U,W,X<br>,AA,A<br>C,AD<br>AG,AH<br>,AL,A<br>M,A<br>S-AV,<br>AX,AZ<br>BC,BD<br>,BG,B<br>H,BL,<br>BM,BQ<br>,BR<br>BU,BV<br>,BY,B<br>Z | 1            |
| -220D       | 315T4400-123 |                     | . FAIRING               |   | 1            |
| -225        | 315T4400-50  |                     | . FAIRING-<br>(LIMITED) |   | 1            |

71-11-56

ILLUSTRATED PARTS LIST  
01.1 Page 10620  
Nov 01/04

| FIG. & ITEM  | PART NO.     | AIRLINE PART NUMBER | NOMENCLATURE<br>1234567 | EFF CODE   | QTY PER ASSY |
|--------------|--------------|---------------------|-------------------------|--|--------------|
| 07-<br>-225A | 315T4400-100 |                     | . FAIRING-<br>(LIMITED) | F, H, Q<br>, R, T,<br>U, W, X<br>, AA, A<br>C, AD<br>AG, AH<br>, AL, A<br>M, A<br>S-AV,<br>AX, AZ<br>BC, BD<br>, BG, B<br>H, BL,<br>BM, BQ<br>, BR<br>BU, BV<br>, BY, B<br>Z | 1            |
| -225B        | 315T4400-50  |                     | . FAIRING               | E  | 1            |
| -225C        | 315T4400-124 |                     | . FAIRING-<br>(LIMITED) | F, H, Q<br>, R, T,<br>U, W, X<br>, AA, A<br>C, AD<br>AG, AH<br>, AL, A<br>M, A<br>S-AV,<br>AX, AZ<br>BC, BD<br>, BG, B<br>H, BL,<br>BM, BQ<br>, BR<br>BU, BV<br>, BY, B<br>Z | 1            |

# 71-11-56

 ILLUSTRATED PARTS LIST  
 01.1 Page 1062P  
 Nov 01/04

 **BOEING**  
COMPONENT  
MAINTENANCE MANUAL

| FIG. & ITEM  | PART NO.     | AIRLINE PART NUMBER | NOMENCLATURE<br>1234567 | EFF CODE   | QTY PER ASSY |
|--------------|--------------|---------------------|-------------------------|--|--------------|
| 07-<br>-225D | 315T4400-124 |                     | . FAIRING               | CH-CK<br>,DA-<br>DC,DU<br>,DV  | 1            |
| 230          | 315T4400-51  |                     | . ANGLE                 | A-D,<br>J-N,V<br>,Y,Z,<br>AE,AF<br>,AJ,A<br>K<br>AN-AR<br>,AW,A<br>Y,BA,<br>BB,BE<br>,BF<br>BJ,BK<br>,BN,B<br>P,BS,<br>BT,BW<br>,BX<br>CA-CC<br>,CT-C<br>V,DS,<br>DT | 1            |

**71-11-56**

ILLUSTRATED PARTS LIST  
01.1 Page 1062Q  
Nov 01/04



| FIG. & ITEM  | PART NO.                   | AIRLINE PART NUMBER | NOMENCLATURE       | EFF CODE   | QTY PER ASSY |
|--------------|----------------------------|---------------------|--------------------|--|--------------|
| 07-<br>-235  | 315T4400-52                |                     | . ANGLE            | E, F, H<br>, Q, R,<br>T, U, W<br>, X, AA<br>, AC<br>AD, AG<br>, AH, A<br>L, AM,<br>AS-AV<br>, AX<br>AZ, BC<br>, BD, B<br>G, BH,<br>BL, BM<br>, BQ<br>BR, BU<br>, BV, B<br>Y, BZ,<br>CH-CK<br>DA-DC<br>, DU, D<br>V<br>A<br>B-D,<br>J-N, V<br>, Y, Z,<br>AE, AF<br>, AJ, A<br>K<br>AN-AR<br>, AW, A<br>Y, BA,<br>BB, BE<br>, BF<br>BJ, BK<br>, BN, B<br>P, BS,<br>BT, BW<br>, BX<br>CA-CC<br>, CT-C<br>V, DS,<br>DT | 1            |
| 240<br>-240A | 315T4400-67<br>315T4400-77 |                     | . ANGLE<br>. ANGLE |  | 1<br>1       |

# 71-11-56

 ILLUSTRATED PARTS LIST  
 01.1 Page 1062R  
 Nov 01/04

**BOEING**  
COMPONENT  
MAINTENANCE MANUAL

| FIG. & ITEM | PART NO.    | AIRLINE PART NUMBER | NOMENCLATURE | EFF CODE | QTY PER ASSY |
|-------------|-------------|---------------------|--------------|----------|--------------|
|             |             |                     | 1234567      |          |              |
| 07-         |             |                     |              |          |              |
| -245        | 315T4400-68 |                     | . ANGLE      | E        | 1            |
| -245A       | 315T4400-78 |                     | . ANGLE      | F, H, Q  | 1            |
|             |             |                     |              | , R, T,  |              |
|             |             |                     |              | U, W, X  |              |
|             |             |                     |              | , AA, A  |              |
|             |             |                     |              | C, AD    |              |
|             |             |                     |              | AG, AH   |              |
|             |             |                     |              | , AL, A  |              |
|             |             |                     |              | M, A     |              |
|             |             |                     |              | S-AV,    |              |
|             |             |                     |              | AX, AZ   |              |
|             |             |                     |              | BC, BD   |              |
|             |             |                     |              | , BG, B  |              |
|             |             |                     |              | H, BL,   |              |
|             |             |                     |              | BM, BQ   |              |
|             |             |                     |              | , BR     |              |
|             |             |                     |              | BU, BV   |              |
|             |             |                     |              | , BY, B  |              |
|             |             |                     |              | Z, C     |              |
|             |             |                     |              | H-CK,    |              |
|             |             |                     |              | DA-DC    |              |
|             |             |                     |              | DU, DV   |              |
| 250         | 315T4400-53 |                     | . ANGLE      | A-D,     | 1            |
|             |             |                     |              | J-N, V   |              |
|             |             |                     |              | , Y, Z,  |              |
|             |             |                     |              | AE, AF   |              |
|             |             |                     |              | , AJ, A  |              |
|             |             |                     |              | K        |              |
|             |             |                     |              | AN-AR    |              |
|             |             |                     |              | , AW, A  |              |
|             |             |                     |              | Y, BA,   |              |
|             |             |                     |              | BB, BE   |              |
|             |             |                     |              | , BF     |              |
|             |             |                     |              | BJ, BK   |              |
|             |             |                     |              | , BN, B  |              |
|             |             |                     |              | P, BS,   |              |
|             |             |                     |              | BT, BW   |              |
|             |             |                     |              | , BX     |              |
|             |             |                     |              | CA-CC    |              |
|             |             |                     |              | , CT-C   |              |
|             |             |                     |              | V, DS,   |              |
|             |             |                     |              | DT       |              |

71-11-56

ILLUSTRATED PARTS LIST

01.1 Page 1062S

Nov 01/04

| FIG. & ITEM | PART NO.    | AIRLINE PART NUMBER | NOMENCLATURE           | EFF CODE   | QTY PER ASSY |
|-------------|-------------|---------------------|------------------------|--|--------------|
| 07-<br>-255 | 315T4400-54 |                     | .ANGLE                 | E, F, H<br>, Q, R,<br>T, U, W<br>, X, AA<br>, AC<br>AD, AG<br>, AH, A<br>L, AM,<br>AS-AV<br>, AX<br>AZ, BC<br>, BD, B<br>G, BH,<br>BL, BM<br>, BQ<br>BR, BU<br>, BV, B<br>Y, BZ,<br>CH-CK<br>DA-DC<br>, DU, D<br>V | 1            |
| 260         | 315T4400-57 |                     | .SUPPORT-<br>(LIMITED) | B-D,<br>J-N, V<br>, Y, Z,<br>AE, AF<br>, AJ, A<br>K<br>AN-AR<br>, AW, A<br>Y, BA,<br>BB, BE<br>, BF<br>BJ, BK<br>, BN, B   | 1            |

# 71-11-56

 ILLUSTRATED PARTS LIST  
 01.1 Page 1062T  
 Nov 01/04

| FIG. & ITEM | PART NO.     | AIRLINE PART NUMBER | NOMENCLATURE<br>1234567 | EFF CODE   | QTY PER ASSY |
|-------------|--------------|---------------------|-------------------------|--|--------------|
| 07-         |              |                     |                         |  |              |
| -260A       | 315T4400-97  |                     | . SUPPORT-<br>(LIMITED) | P,BS,<br>BT,BW<br>,BX<br>B-D,<br>J-N,V<br>,Y,Z,<br>AE,AF<br>,AJ,A<br>K<br>AN-AR<br>,AW,A<br>Y,BA,<br>BB,BE<br>,BF<br>BJ,BK<br>,BN,B<br>P,BS,<br>BT,BW<br>,BX | 1            |
| -260B       | 315T4400-105 |                     | DELETED                 |  |              |
| -260C       | 315T4400-107 |                     | DELETED                 |  |              |
| -260D       | 315T4400-57  |                     | . SUPPORT               | A  | 1            |
| 261         | 315T4400-105 |                     | . SUPPORT-<br>(LIMITED) | B-D,<br>J-N,V<br>,Y,Z,<br>AE,AF<br>,AJ,A<br>K<br>AN-AR<br>,AW,A<br>Y,BA,<br>BB,BE<br>,BF<br>BJ,BK<br>,BN,B<br>P,BS,<br>BT,BW<br>,BX                          | 1            |

71-11-56

ILLUSTRATED PARTS LIST

01.1 Page 1062U

Nov 01/04

| FIG. & ITEM  | PART NO.     | AIRLINE PART NUMBER | NOMENCLATURE<br>1234567 | EFF CODE  | QTY PER ASSY |
|--------------|--------------|---------------------|-------------------------|---|--------------|
| 07-<br>-261A | 315T4400-107 |                     | .SUPPORT-<br>(LIMITED)  | B-D,<br>J-N,V<br>,Y,Z,<br>AE,AF<br>,AJ,A<br>K<br>AN-AR<br>,AW,A<br>Y,BA,<br>BB,BE<br>,BF<br>BJ,BK<br>,BN,B<br>P,BS,<br>BT,BW<br>,BX                   | 1            |
| -261B        | 315T4400-107 |                     | .SUPPORT                | CA-CC<br>,CT-C<br>V,DS,<br>DT   | 1            |
| -265         | 315T4400-58  |                     | .SUPPORT-<br>(LIMITED)  | F,H,Q<br>,R,T,<br>U,W,X<br>,AA,A<br>C,AD<br>AG,AH<br>,AL,A<br>M,A<br>S-AV,<br>AX,AZ<br>BC,BD<br>,BG,B<br>H,BL,<br>BM,BQ<br>,BR<br>BU,BV<br>,BY,B<br>Z | 1            |

# 71-11-56

 ILLUSTRATED PARTS LIST  
 01.1 Page 1062V  
 Nov 01/04

**BOEING**  
COMPONENT  
MAINTENANCE MANUAL

| FIG. & ITEM  | PART NO.     | AIRLINE PART NUMBER | NOMENCLATURE<br>1234567 | EFF CODE   | QTY PER ASSY |
|--------------|--------------|---------------------|-------------------------|--|--------------|
| 07-<br>-265A | 315T4400-98  |                     | . SUPPORT-<br>(LIMITED) | F, H, Q<br>, R, T,<br>U, W, X<br>, AA, A<br>C, AD<br>AG, AH<br>, AL, A<br>M, A<br>S-AV,<br>AX, AZ<br>BC, BD<br>, BG, B<br>H, BL,<br>BM, BQ<br>, BR<br>BU, BV<br>, BY, B<br>Z | 1            |
| -265B        | 315T4400-106 |                     | DELETED                 |  |              |
| -265C        | 315T4400-108 |                     | DELETED                 |  |              |
| -265D        | 315T4400-58  |                     | . SUPPORT               | E  | 1            |
| -266         | 315T4400-106 |                     | . SUPPORT-<br>(LIMITED) | F, H, Q<br>, R, T,<br>U, W, X<br>, AA, A<br>C, AD<br>AG, AH<br>, AL, A<br>M, A<br>S-AV,<br>AX, AZ<br>BC, BD<br>, BG, B<br>H, BL,<br>BM, BQ<br>, BR<br>BU, BV<br>, BY, B<br>Z | 1            |

71-11-56

ILLUSTRATED PARTS LIST  
01.1 Page 1062W  
Nov 01/04

| FIG. & ITEM  | PART NO.     | AIRLINE PART NUMBER | NOMENCLATURE<br>1234567 | EFF CODE  | QTY PER ASSY |
|--------------|--------------|---------------------|-------------------------|---|--------------|
| 07-<br>-266A | 315T4400-108 |                     | . SUPPORT-<br>(LIMITED) | F, H, Q<br>, R, T,<br>U, W, X<br>, AA, A<br>C, AD<br>AG, AH<br>, AL, A<br>M, A<br>S-AV,<br>AX, AZ<br>BC, BD<br>, BG, B<br>H, BL,<br>BM, BQ<br>, BR<br>BU, BV<br>, BY, B<br>Z            | 1            |
| -266B        | 315T4400-108 |                     | . SUPPORT               | CH-CK<br>, DA-<br>DC, DU<br>, DV  | 1            |
| 270          | 315T4400-55  |                     | . ANGLE                 | A-D,<br>J-N, V<br>, Y, Z,<br>AE, AF<br>, AJ, A<br>K<br>AN-AR<br>, AW, A<br>Y, BA,<br>BB, BE<br>, BF<br>BJ, BK<br>, BN, B<br>P, BS,<br>BT, BW<br>, BX<br>CA-CC<br>, CT-C<br>V, DS,<br>DT | 1            |

# 71-11-56

 ILLUSTRATED PARTS LIST  
 01.1 Page 1062X  
 Nov 01/04

**BOEING**  
COMPONENT  
MAINTENANCE MANUAL

| FIG. & ITEM | PART NO.              | AIRLINE PART NUMBER | NOMENCLATURE   | EFF CODE   | QTY PER ASSY |
|-------------|-----------------------|---------------------|--|--|--------------|
| 07-<br>-275 | 315T4400-56           |                     | .ANGLE   | E, F, H<br>, Q, R,<br>T, U, W<br>, X, AA<br>, AC<br>AD, AG<br>, AH, A<br>L, AM,<br>AS-AV<br>, AX<br>AZ, BC<br>, BD, B<br>G, BH,<br>BL, BM<br>, BQ<br>BR, BU<br>, BV, B<br>Y, BZ,<br>CH-CK<br>DA-DC<br>, DU, D<br>V | 1            |
| 280<br>280A | S315T113-5<br>H2898-3 |                     | DELETED<br>.KEEPER ASSY-LATCH<br>(V83014)<br>(OPT ITEM 280C) | A-D,<br>J-N, V<br>, Y, Z,<br>AE, AF<br>, AJ, A<br>K<br>AN-AR<br>, AW, A<br>Y, BA,<br>BB, BE<br>, BF<br>BJ, BK<br>, BN, B<br>P, BS,<br>BT, BW<br>, BX<br>CA-CC<br>, CT-C<br>V, DS,<br>DT                            | 1            |

71-11-56

ILLUSTRATED PARTS LIST  
01.1 Page 1062Y  
Nov 01/04



| FIG. & ITEM           | PART NO.         | AIRLINE PART NUMBER | NOMENCLATURE  | EFF CODE   | QTY PER ASSY |
|-----------------------|------------------|---------------------|---|--|--------------|
| 07-<br>-280B<br>-280C | 9395-5<br>9893-5 |                     | 1234567<br><br>DELETED<br>.KEEPER-LATCH<br>(V84256)<br>(SPEC S315T113-5)<br>(OPT 9395-5<br>(V84256))<br>(OPT ITEM 280A) | A-D,<br>J-N,V<br>,Y,Z,<br>AE,AF<br>,AJ,A<br>K<br>AN-AR<br>,AW,A<br>Y,BA,<br>BB,BE<br>,BF<br>BJ,BK<br>,BN,B<br>P,BS,<br>BT,BW<br>,BX<br>CA-CC<br>,CT-C<br>V,DS,<br>DT | 1            |
| 285                   | BACB30LE4-11     |                     | .BOLT   | A-D,<br>J-N,V<br>,Y,Z,<br>AE,AF<br>,AJ,A<br>K<br>AN-AR<br>,AW,A<br>Y,BA,<br>BB,BE<br>,BF<br>BJ,BK<br>,BN,B<br>P,BS,<br>BT,BW<br>,BX<br>CA-CC<br>,CT-C<br>V,DS,<br>DT | 2            |

# 71-11-56

 ILLUSTRATED PARTS LIST  
 01.1 Page 1062Z  
 Nov 01/04

| FIG. & ITEM         | PART NO.                     | AIRLINE PART NUMBER | NOMENCLATURE<br>1234567 | EFF CODE  | QTY PER ASSY |
|---------------------|------------------------------|---------------------|-------------------------|---|--------------|
| 07-<br>287<br>-287A | BACB30LE4-11<br>BACB30LE4-12 |                     | .BOLT<br>.BOLT          | A<br>B-D,<br>J-N,V<br>,Y,Z,<br>AE,AF<br>,AJ,A<br>K<br>AN-AR<br>,AW,A<br>Y,BA,<br>BB,BE<br>,BF<br>BJ,BK<br>,BN,B<br>P,BS,<br>BT,BW<br>,BX<br>CA-CC<br>,CT-C<br>V,DS,<br>DT | 2<br>2       |

**71-11-56**

ILLUSTRATED PARTS LIST  
01.1 Page 1063  
Nov 01/04

| FIG. & ITEM | PART NO.   | AIRLINE PART NUMBER | NOMENCLATURE  | EFF CODE   | QTY PER ASSY |
|-------------|------------|---------------------|---|--|--------------|
| 07-290      | BMNN10HR4  |                     | 1234567<br>.NUT-<br>(V08524)<br>(SPEC BACN10HR4)<br>(OPT BMN10HR4 (V97928))<br>(OPT CR59064 (V62554))<br>(OPT H964 (V15653))<br>(OPT RMLH224 (V72962))<br>(OPT VAL280094 (V06710))<br>(OPT 678324 (V56878))<br>(OPT H96-4 (V15653))<br>(OPT VAL280094 (V06710))<br>(OPT 678324 (V56878))<br>(OPT H96-4 (V15653))<br>(OPT RMLH22-4 (V72962)) | A-D,<br>J-N,V<br>,Y,Z,<br>AE,AF<br>,AJ,A<br>K<br>AN-AR<br>,AW,A<br>Y,BA,<br>BB,BE<br>,BF<br>BJ,BK<br>,BN,B<br>P,BS,<br>BT,BW<br>,BX<br>CA-CC<br>,CT-C<br>V,DS,<br>DT | 4            |
| 293         | 314T1339-2 |                     | .STOP-ANTI-ROTATION   | B-D,<br>J-N,V<br>,Y,Z,<br>AE,AF<br>,AJ,A<br>K<br>AN-AR<br>,AW,A<br>Y,BA,<br>BB,BE<br>,BF<br>BJ,BK<br>,BN,B<br>P,BS,<br>BT,BW<br>,BX<br>CA-CC<br>,CT-C<br>V,DS,<br>DT | 1            |

# 71-11-56

 ILLUSTRATED PARTS LIST  
 01.1 Page 1064  
 Nov 01/04

**BOEING**  
COMPONENT  
MAINTENANCE MANUAL

| FIG. & ITEM         | PART NO.                                  | AIRLINE PART NUMBER | NOMENCLATURE                      | EFF CODE  | QTY PER ASSY |
|---------------------|---|---------------------|-----------------------------------|---|--------------|
| 07-<br>-293A<br>295 | 314T1339-1<br>315T3423-1                  |                     | .STOP-ANTI-ROTATION<br>.PIN-SHEAR | A<br>A-D,<br>J-N,V<br>,Y,Z,<br>AE,AF<br>,AJ,A<br>K<br>AN-AR<br>,AW,A<br>Y,BA,<br>BB,BE<br>,BF<br>BJ,BK<br>,BN,B<br>P,BS,<br>BT,BW<br>,BX<br>CA-CC<br>,CT-C<br>V,DS,<br>DT | 1<br>4       |
| 300<br>300A<br>300B | BACW10P129D<br>BACW10P10AL<br>BACW10P116S |                     | DELETED<br>DELETED<br>.WASHER     | A-D,<br>J-N,V<br>,Y,Z,<br>AE,AF<br>,AJ,A<br>K<br>AN-AR<br>,AW,A<br>Y,BA,<br>BB,BE<br>,BF<br>BJ,BK<br>,BN,B<br>P,BS,<br>BT,BW<br>,BX<br>CA-CC<br>,CT-C<br>V,DS,<br>DT      | 3            |

71-11-56

| FIG. & ITEM    | PART NO.                    | AIRLINE PART NUMBER | NOMENCLATURE                      | EFF CODE   | QTY PER ASSY |
|----------------|-----------------------------|---------------------|-----------------------------------|--|--------------|
| 07-305<br>305A | AN960-416<br>NAS1149F0432P  |                     | 1234567<br><br>DELETED<br>.WASHER | A-D,<br>J-N,V<br>,Y,Z,<br>AE,AF<br>,AJ,A<br>K<br>AN-AR<br>,AW,A<br>Y,BA,<br>BB,BE<br>,BF<br>BJ,BK<br>,BN,B<br>P,BS,<br>BT,BW<br>,BX<br>CA-CC<br>,CT-C<br>V,DS,<br>DT | AR           |
| 310<br>310A    | AN960-416L<br>NAS1149F0463P |                     | DELETED<br>.WASHER                | A-D,<br>J-N,V<br>,Y,Z,<br>AE,AF<br>,AJ,A<br>K<br>AN-AR<br>,AW,A<br>Y,BA,<br>BB,BE<br>,BF<br>BJ,BK<br>,BN,B<br>P,BS,<br>BT,BW<br>,BX<br>CA-CC<br>,CT-C<br>V,DS,<br>DT | AR           |

# 71-11-56

 ILLUSTRATED PARTS LIST  
 01.1 Page 1064B  
 Nov 01/04

**BOEING**  
COMPONENT  
MAINTENANCE MANUAL

| FIG. & ITEM | PART NO.    | AIRLINE PART NUMBER | NOMENCLATURE   | EFF CODE   | QTY PER ASSY |
|-------------|-------------|---------------------|--|--|--------------|
| 07-315      | BRH10C4M    |                     | 1234567<br>.NUT-<br>(V52828)<br>(SPEC BACN10JC4CM)<br>(OPT T6C428JM<br>(V11815))<br>(OPT 97E48<br>(V80539))<br>(OPT 109LH9075-4W<br>(V72962))<br>(OPT VN303D048<br>(V92215))<br>(OPT 9NS202101SE048<br>(VA8053))<br>(OPT H01-4BAC<br>(V15653)) | A-D,<br>J-N,V<br>,Y,Z,<br>AE,AF<br>,AJ,A<br>K<br>AN-AR<br>,AW,A<br>Y,BA,<br>BB,BE<br>,BF<br>BJ,BK<br>,BN,B<br>P,BS,<br>BT,BW<br>,BX<br>CA-CC<br>,CT-C<br>V,DS,<br>DT | 3            |
| 320         | BACB30MY5K3 |                     | .BOLT  | A-D,<br>J-N,V<br>,Y,Z,<br>AE,AF<br>,AJ,A<br>K<br>AN-AR<br>,AW,A<br>Y,BA,<br>BB,BE<br>,BF<br>BJ,BK<br>,BN,B<br>P,BS,<br>BT,BW<br>,BX<br>CA-CC<br>,CT-C<br>V,DS,<br>DT | 6            |

71-11-56

ILLUSTRATED PARTS LIST  
01.1 Page 1064C  
Nov 01/04

| FIG. & ITEM | PART NO.   | AIRLINE PART NUMBER | NOMENCLATURE<br>1234567   | EFF CODE   | QTY PER ASSY |
|-------------|------------|---------------------|---|--|--------------|
| 07-321      | HST10AG5-4 |                     | .BOLT-<br>(VOPTK6)<br>(SPEC BACB30VT5K4)<br>(OPT HST10AG5-4<br>(V06725))<br>(OPT HST10AG5-4<br>(V56878))<br>(OPT HST10AG5-4<br>(V73197))<br>(LIMITED) | A-D,<br>J-N,V<br>,Y,Z,<br>AE,AF<br>,AJ,A<br>K<br>AN-AR<br>,AW,A<br>Y,BA,<br>BB,BE<br>,BF<br>BJ,BK<br>,BN,B<br>P,BS,<br>BT,BW<br>,BX<br>CA-CC<br>,CT-C<br>V,DS,<br>DT | 2            |
| -321A       | HST10AG5-4 |                     | .BOLT-<br>(VOPTK6)<br>(SPEC BACB30VT5K4)<br>(OPT HST10AG5-4<br>(V06725))<br>(OPT HST10AG5-4<br>(V56878))<br>(OPT HST10AG5-4<br>(V73197))              | A-D,<br>J-N,V<br>,Y,Z,<br>AE,AF<br>,AJ,A<br>K<br>AN-AR<br>,AW,A<br>Y,BA,<br>BB,BE<br>,BF<br>BJ,BK<br>,BN,B<br>P,BS,<br>BT,BW<br>,BX<br>CA-CC<br>,CT-C<br>V,DS,<br>DT | 2            |
| 322         | BACB30MY5K |                     | .BOLT-<br>(SIZE DETERMINE ON INST)  | A-D,<br>J-N,V<br>,Y,Z,<br>AE,AF<br>,AJ,A<br>K<br>AN-AR<br>,AW,A<br>Y,BA,<br>BB,BE<br>,BF<br>BJ,BK<br>,BN,B<br>P,BS,<br>BT,BW<br>,BX<br>CA-CC<br>,CT-C<br>V,DS,<br>DT | 1            |

# 71-11-56

 ILLUSTRATED PARTS LIST  
 01.1 Page 1064D  
 Nov 01/04

 **BOEING**  
COMPONENT  
MAINTENANCE MANUAL

| FIG. & ITEM | PART NO.    | AIRLINE PART NUMBER | NOMENCLATURE<br>1234567   | EFF CODE  | QTY PER ASSY |
|-------------|-------------|---------------------|---|---|--------------|
| 07-323      | BACB30MY5K4 |                     | .BOLT-<br>(LIMITED)   | A-D,<br>J-N,V<br>,Y,Z,<br>AE,AF<br>,AJ,A<br>K<br>AN-AR<br>,AW,A<br>Y,BA,<br>BB,BE<br>,BF<br>BJ,BK<br>,BN,B<br>P,BS,<br>BT,BW<br>,BX | 3            |
| -323A       | HST10AG5-4  |                     | .BOLT-<br>(VOPTK6)<br>(SPEC BACB30VT5K4)<br>(OPT HST10AG5-4<br>(V06725))<br>(OPT HST10AG5-4<br>(V56878))<br>(OPT HST10AG5-4<br>(V73197))<br>(LIMITED) | A-D,<br>J-N,V<br>,Y,Z,<br>AE,AF<br>,AJ,A<br>K<br>AN-AR<br>,AW,A<br>Y,BA,<br>BB,BE<br>,BF<br>BJ,BK<br>,BN,B<br>P,BS,<br>BT,BW<br>,BX | 3            |
| -323B       | HST10AG5-4  |                     | .BOLT-<br>(VOPTK6)<br>(SPEC BACB30VT5K4)<br>(OPT HST10AG5-4<br>(V06725))<br>(OPT HST10AG5-4<br>(V56878))<br>(OPT HST10AG5-4<br>(V73197))              | CA-CC<br>,CT-C<br>V,DS,<br>DT   | 3            |

71-11-56

ILLUSTRATED PARTS LIST  
01.1 Page 1064E  
Nov 01/04



| FIG. & ITEM | PART NO.    | AIRLINE PART NUMBER | NOMENCLATURE | EFF CODE   | QTY PER ASSY |
|-------------|-------------|---------------------|--------------|--|--------------|
| 07-325      | BACB30MY5K3 |                     | .BOLT        | E, F, H<br>, Q, R,<br>T, U, W<br>, X, AA<br>, AC<br>AD, AG<br>, AH, A<br>L, AM,<br>AS-AV<br>, AX<br>AZ, BC<br>, BD, B<br>G, BH,<br>BL, BM<br>, BQ<br>BR, BU<br>, BV, B<br>Y, BZ,<br>CH-CK<br>DA-DC<br>, DU, D<br>V | 10           |
| 330         | BACB30MY5K4 |                     | .BOLT        | A-D,<br>J-N, V<br>, Y, Z,<br>AE, AF<br>, AJ, A<br>K<br>AN-AR<br>, AW, A<br>Y, BA,<br>BB, BE<br>, BF<br>BJ, BK<br>, BN, B<br>P, BS,<br>BT, BW<br>, BX<br>CA-CC<br>, CT-C<br>V, DS,<br>DT                            | 3            |

# 71-11-56

 ILLUSTRATED PARTS LIST  
 01.1 Page 1064F  
 Nov 01/04

**BOEING**  
COMPONENT  
MAINTENANCE MANUAL

| FIG. & ITEM | PART NO.    | AIRLINE PART NUMBER | NOMENCLATURE<br>1234567   | EFF CODE  | QTY PER ASSY |
|-------------|-------------|---------------------|---|---|--------------|
| 07-331      | BACB30MY5K2 |                     | .BOLT-<br>(LIMITED)   | A-D,<br>J-N,V<br>,Y,Z,<br>AE,AF<br>,AJ,A<br>K<br>AN-AR<br>,AW,A<br>Y,BA,<br>BB,BE<br>,BF<br>BJ,BK<br>,BN,B<br>P,BS,<br>BT,BW<br>,BX | 1            |
| -331A       | BACB30MY5K2 |                     | .BOLT   | CA-CC<br>,CT-C<br>V,DS,<br>DT   | 1            |
| 332         | HST10AG5-2  |                     | .BOLT-<br>(VOPTK6)<br>(SPEC BACB30VT5K2)<br>(OPT HST10AG5-2<br>(V06725))<br>(OPT HST10AG5-2<br>(V56878))<br>(OPT HST10AG5-2<br>(V73197))<br>(LIMITED) | A-D,<br>J-N,V<br>,Y,Z,<br>AE,AF<br>,AJ,A<br>K<br>AN-AR<br>,AW,A<br>Y,BA,<br>BB,BE<br>,BF<br>BJ,BK<br>,BN,B<br>P,BS,<br>BT,BW<br>,BX | 1            |
| -332A       | HST10AG5-2  |                     | .BOLT-<br>(VOPTK6)<br>(SPEC BACB30VT5K2)<br>(OPT HST10AG5-2<br>(V06725))<br>(OPT HST10AG5-2<br>(V56878))<br>(OPT HST10AG5-2<br>(V73197))              | CA-CC<br>,CT-C<br>V,DS,<br>DT   | 1            |

**71-11-56**

ILLUSTRATED PARTS LIST  
01.1 Page 1064G  
Nov 01/04

| FIG. & ITEM | PART NO.   | AIRLINE PART NUMBER | NOMENCLATURE<br>1234567   | EFF CODE   | QTY PER ASSY |
|-------------|------------|---------------------|---|--|--------------|
| 07-333      | HST10AG5-3 |                     | .BOLT-<br>(VOPTK6)<br>(SPEC BACB30VT5K3)<br>(OPT HST10AG5-3<br>(V06725))<br>(OPT HST10AG5-3<br>(V56878))<br>(OPT HST10AG5-3<br>(V73197))<br>(LIMITED) | A-D,<br>J-N,V<br>,Y,Z,<br>AE,AF<br>,AJ,A<br>K<br>AN-AR<br>,AW,A<br>Y,BA,<br>BB,BE<br>,BF<br>BJ,BK<br>,BN,B<br>P,BS,<br>BT,BW<br>,BX<br>CA-CC<br>,CT-C<br>V,DS,<br>DT | 1            |
| -333A       | HST10AG5-3 |                     | .BOLT-<br>(VOPTK6)<br>(SPEC BACB30VT5K3)<br>(OPT HST10AG5-3<br>(V06725))<br>(OPT HST10AG5-3<br>(V56878))<br>(OPT HST10AG5-3<br>(V73197))              |  | 1            |

# 71-11-56

 ILLUSTRATED PARTS LIST  
 01.1 Page 1064H  
 Nov 01/04

**BOEING**  
COMPONENT  
MAINTENANCE MANUAL

| FIG. & ITEM | PART NO.    | AIRLINE PART NUMBER | NOMENCLATURE  | EFF CODE   | QTY PER ASSY |
|-------------|-------------|---------------------|---|--|--------------|
| 07-335      | BACB30MY5K4 |                     | .BOLT   | E, F, H<br>, Q, R,<br>T, U, W<br>, X, AA<br>, AC<br>AD, AG<br>, AH, A<br>L, AM,<br>AS-AV<br>, AX<br>AZ, BC<br>, BD, B<br>G, BH,<br>BL, BM<br>, BQ<br>BR, BU<br>, BV, B<br>Y, BZ,<br>CH-CK<br>DA-DC<br>, DU, D<br>V | 7            |
| 337         | HST10AG5-4  |                     | .BOLT-<br>(VOPTK6)<br>(SPEC BACB30VT5K4)<br>(OPT HST10AG5-4<br>(V06725))<br>(OPT HST10AG5-4<br>(V56878))<br>(OPT HST10AG5-4<br>(V73197))<br>(LIMITED) | E, F, H<br>, Q, R,<br>T, U, W<br>, X, AA<br>, AC<br>AD, AG<br>, AH, A<br>L, AM,<br>AS-AV<br>, AX<br>AZ, BC<br>, BD, B<br>G, BH,<br>BL, BM<br>, BQ<br>BR, BU<br>, BV, B<br>Y, BZ                                    | 2            |

71-11-56

ILLUSTRATED PARTS LIST  
01.1 Page 1064I  
Nov 01/04

| FIG. & ITEM | PART NO.    | AIRLINE PART NUMBER | NOMENCLATURE   | EFF CODE   | QTY PER ASSY |
|-------------|-------------|---------------------|--|--|--------------|
| 07-337A     | HST10AG5-4  |                     | .BOLT-<br>(VOPTK6)<br>(SPEC BACB30VT5K4)<br>(OPT HST10AG5-4<br>(V06725))<br>(OPT HST10AG5-4<br>(V56878))<br>(OPT HST10AG5-4<br>(V73197)) | CH-CK<br>,DA-<br>DC,DU<br>,DV  | 2            |
| 340         | BACB30MY5K5 |                     | .BOLT  | E,F,H<br>,Q,R,<br>T,U,W<br>,X,AA<br>,AC<br>AD,AG<br>,AH,A<br>L,AM,<br>AS-AV<br>,AX<br>AZ,BC<br>,BD,B<br>G,BH,<br>BL,BM<br>,BQ<br>BR,BU<br>,BV,B<br>Y,BZ,<br>CH-CK<br>DA-DC<br>,DU,D<br>V | 1            |

# 71-11-56

 ILLUSTRATED PARTS LIST  
 01.1 Page 1064J  
 Nov 01/04

 **BOEING**  
COMPONENT  
MAINTENANCE MANUAL

| FIG. & ITEM | PART NO.    | AIRLINE PART NUMBER | NOMENCLATURE<br>1234567  | EFF CODE   | QTY PER ASSY |
|-------------|-------------|---------------------|--|--|--------------|
| 07-342      | BACB30MY5K2 |                     | .BOLT  | E, F, H<br>, Q, R,<br>T, U, W<br>, X, AA<br>, AC<br>AD, AG<br>, AH, A<br>L, AM,<br>AS-AV<br>, AX<br>AZ, BC<br>, BD, B<br>G, BH,<br>BL, BM<br>, BQ<br>BR, BU<br>, BV, B<br>Y, BZ,<br>CH-CK<br>DA-DC<br>, DU, D<br>V | 4            |
| 343         | HST10AG5-5  |                     | .BOLT-<br>(VOPTK6)<br>(SPEC BACB30VT5K5)<br>(OPT HST10AG5-5<br>(V06725))<br>(OPT HST10AG5-5<br>(V56878))<br>(OPT HST10AG5-5<br>(V73197)) | E, F, H<br>, Q, R,<br>T, U, W<br>, X, AA<br>, AC<br>AD, AG<br>, AH, A<br>L, AM,<br>AS-AV<br>, AX<br>AZ, BC<br>, BD, B<br>G, BH,<br>BL, BM<br>, BQ<br>BR, BU<br>, BV, B<br>Y, BZ,<br>CH-CK<br>DA-DC<br>, DU, D<br>V | 2            |

71-11-56

ILLUSTRATED PARTS LIST  
01.1 Page 1064K  
Nov 01/04

| FIG. & ITEM | PART NO.   | AIRLINE PART NUMBER | NOMENCLATURE<br>1234567  | EFF CODE   | QTY PER ASSY |
|-------------|------------|---------------------|--|--|--------------|
| 07-345      | HL70-5     |                     | .COLLAR-<br>(V5M902)<br>(SPEC BACC30M5)<br>(OPT HL70-5<br>(V73197))<br>(OPT HL70-5<br>(V92215))<br>(OPT 66014-5<br>(V56878))<br>(OPT HL70-5<br>(V56878)) | A-D,<br>J-N,V<br>,Y,Z,<br>AE,AF<br>,AJ,A<br>K<br>AN-AR<br>,AW,A<br>Y,BA,<br>BB,BE<br>,BF<br>BJ,BK<br>,BN,B<br>P,BS,<br>BT,BW<br>,BX<br>CA-CC<br>,CT-C<br>V,DS,<br>DT | 10           |
| 346         | HST1094DU5 |                     | .COLLAR-<br>(V73197)<br>(SPEC BACC30BS5S)<br>(LIMITED)   | A-D,<br>J-N,V<br>,Y,Z,<br>AE,AF<br>,AJ,A<br>K<br>AN-AR<br>,AW,A<br>Y,BA,<br>BB,BE<br>,BF<br>BJ,BK<br>,BN,B<br>P,BS,<br>BT,BW<br>,BX<br>CA-CC<br>,CT-C<br>V,DS,<br>DT | 2            |
| -346A       | HST1094DU5 |                     | .COLLAR-<br>(V73197)<br>(SPEC BACC30BS5S)  | CA-CC<br>,CT-C<br>V,DS,<br>DT  | 2            |

**71-11-56**

ILLUSTRATED PARTS LIST  
01.1 Page 1064L  
Nov 01/04

**BOEING**  
COMPONENT  
MAINTENANCE MANUAL

| FIG. & ITEM | PART NO.  | AIRLINE PART NUMBER | NOMENCLATURE<br>1234567   | EFF CODE  | QTY PER ASSY |
|-------------|-----------|---------------------|---|---|--------------|
| 07-347      | BACC30ZV5 |                     | .COLLAR-<br>(LIMITED)   | A-D,<br>J-N,V<br>,Y,Z,<br>AE,AF<br>,AJ,A<br>K<br>AN-AR<br>,AW,A<br>Y,BA,<br>BB,BE<br>,BF<br>BJ,BK<br>,BN,B<br>P,BS,<br>BT,BW<br>,BX | 2            |
| -347A       | BACC30ZV5 |                     | .COLLAR   | CA-CC<br>,CT-C<br>V,DS,<br>DT   | 2            |
| 348         | HL70-5    |                     | .COLLAR-<br>(V5M902)<br>(SPEC BACC30M5)<br>(OPT HL70-5<br>(V73197))<br>(OPT HL70-5<br>(V92215))<br>(OPT 66014-5<br>(V56878))<br>(OPT HL70-5<br>(V56878))<br>(LIMITED) | A-D,<br>J-N,V<br>,Y,Z,<br>AE,AF<br>,AJ,A<br>K<br>AN-AR<br>,AW,A<br>Y,BA,<br>BB,BE<br>,BF<br>BJ,BK<br>,BN,B<br>P,BS,<br>BT,BW<br>,BX | 3            |

71-11-56

ILLUSTRATED PARTS LIST  
01.1 Page 1064M  
Nov 01/04



| FIG. & ITEM  | PART NO.   | AIRLINE PART NUMBER | NOMENCLATURE<br>1234567   | EFF CODE  | QTY PER ASSY |
|--------------|------------|---------------------|---|---|--------------|
| 07-<br>-348A | HST1094DU5 |                     | .COLLAR-<br>(V73197)<br>(SPEC BACC30BS5S)<br>(LIMITED)  | A-D,<br>J-N,V<br>,Y,Z,<br>AE,AF<br>,AJ,A<br>K<br>AN-AR<br>,AW,A<br>Y,BA,<br>BB,BE<br>,BF<br>BJ,BK<br>,BN,B<br>P,BS,<br>BT,BW<br>,BX | 3            |
| -348B        | HST1094DU5 |                     | .COLLAR-<br>(V73197)<br>(SPEC BACC30BS5S)   | CA-CC<br>,CT-C<br>V,DS,<br>DT   | 3            |
| 349          | HL70-5     |                     | .COLLAR-<br>(V5M902)<br>(SPEC BACC30M5)<br>(OPT HL70-5<br>(V73197))<br>(OPT HL70-5<br>(V92215))<br>(OPT 66014-5<br>(V56878))<br>(OPT HL70-5<br>(V56878))<br>(LIMITED) | A-D,<br>J-N,V<br>,Y,Z,<br>AE,AF<br>,AJ,A<br>K<br>AN-AR<br>,AW,A<br>Y,BA,<br>BB,BE<br>,BF<br>BJ,BK<br>,BN,B<br>P,BS,<br>BT,BW<br>,BX | 1            |

# 71-11-56

 ILLUSTRATED PARTS LIST  
 01.1 Page 1064N  
 Nov 01/04

 **BOEING**  
COMPONENT  
MAINTENANCE MANUAL

| FIG. & ITEM  | PART NO. | AIRLINE PART NUMBER | NOMENCLATURE<br>1234567  | EFF CODE  | QTY PER ASSY |
|--------------|----------|---------------------|--|---|--------------|
| 07-<br>-349A | HL70-5   |                     | .COLLAR-<br>(V5M902)<br>(SPEC BACC30M5)<br>(OPT HL70-5<br>(V73197))<br>(OPT HL70-5<br>(V92215))<br>(OPT 66014-5<br>(V56878))<br>(OPT HL70-5<br>(V56878)) | CA-CC<br>,CT-C<br>V,DS,<br>DT   | 1            |
| 350          | HL70-5   |                     | .COLLAR-<br>(V5M902)<br>(SPEC BACC30M5)<br>(OPT HL70-5<br>(V73197))<br>(OPT HL70-5<br>(V92215))<br>(OPT 66014-5<br>(V56878))<br>(OPT HL70-5<br>(V56878)) | E,F,H<br>,Q,R,<br>T,U,W<br>,X,AA<br>,AC<br>AD,AG<br>,AH,A<br>L,AM,<br>AS-AV<br>,AX<br>AZ,BC<br>,BD,B<br>G,BH,<br>BL,BM<br>,BQ<br>BR,BU<br>,BV,B<br>Y,BZ | 22           |

71-11-56

ILLUSTRATED PARTS LIST  
01.1 Page 10640  
Nov 01/04

| FIG. & ITEM | PART NO.  | AIRLINE PART NUMBER | NOMENCLATURE<br>1234567 | EFF CODE   | QTY PER ASSY |
|-------------|-----------|---------------------|-------------------------|--|--------------|
| 07-351      | BACC30ZV5 |                     | . COLLAR-<br>(LIMITED)  | E, F, H<br>, Q, R,<br>, T, U, W<br>, X, AA<br>, AC<br>AD, AG<br>, AH, A<br>L, AM,<br>AS-AV<br>, AX<br>AZ, BC<br>, BD, B<br>G, BH,<br>BL, BM<br>, BQ<br>BR, BU<br>, BV, B<br>Y, BZ                                    | 2            |
| -351A       | BACC30ZV5 |                     | . COLLAR                | CH-CK<br>, DA-<br>DC, DU<br>, DV   | 2            |
| 352         | BACC30ZV5 |                     | . COLLAR                | E, F, H<br>, Q, R,<br>, T, U, W<br>, X, AA<br>, AC<br>AD, AG<br>, AH, A<br>L, AM,<br>AS-AV<br>, AX<br>AZ, BC<br>, BD, B<br>G, BH,<br>BL, BM<br>, BQ<br>BR, BU<br>, BV, B<br>Y, BZ,<br>CH-CK<br>DA-DC<br>, DU, D<br>V | 2            |

# 71-11-56

 ILLUSTRATED PARTS LIST  
 01.1 Page 1064P  
 Nov 01/04

**BOEING**  
COMPONENT  
MAINTENANCE MANUAL

| FIG. & ITEM | PART NO.    | AIRLINE PART NUMBER | NOMENCLATURE<br>1234567 | EFF CODE  | QTY PER ASSY |
|-------------|-------------|---------------------|-------------------------|---|--------------|
| 07-355      | MS20615-5MP |                     | .RIVET-<br>(LIMITED)    | A-D,<br>J-N,V<br>,Y,Z,<br>AE,AF<br>,AJ,A<br>K<br>AN-AR<br>,AW,A<br>Y,BA,<br>BB,BE<br>,BF<br>BJ,BK<br>,BN,B<br>P,BS,<br>BT,BW<br>,BX | 3            |
| -355A       | MS20615-5MP |                     | .RIVET                  | CA-CC<br>,CT-C<br>V,DS,<br>DT   | 3            |
| 356         | MS20615-5MP |                     | .RIVET-<br>(LIMITED)    | A-D,<br>J-N,V<br>,Y,Z,<br>AE,AF<br>,AJ,A<br>K<br>AN-AR<br>,AW,A<br>Y,BA,<br>BB,BE<br>,BF<br>BJ,BK<br>,BN,B<br>P,BS,<br>BT,BW<br>,BX | 3            |

71-11-56

ILLUSTRATED PARTS LIST  
01.1 Page 1064Q  
Nov 01/04

| FIG. & ITEM | PART NO.    | AIRLINE PART NUMBER | NOMENCLATURE<br>1234567             | EFF CODE  | QTY PER ASSY |
|-------------|-------------|---------------------|-------------------------------------|---|--------------|
| 07-360      | MS20615-5MP |                     | .RIVET-<br>(LIMITED)                | E, F, H<br>, Q, R,<br>, T, U, W<br>, X, AA<br>, AC<br>, AD, AG<br>, AH, A<br>, L, AM,<br>, AS-AV<br>, AX<br>, AZ, BC<br>, BD, B<br>, G, BH,<br>, BL, BM<br>, BQ<br>, BR, BU<br>, BV, B<br>, Y, BZ | 2            |
| 365         | BACR15FT5D  |                     | .RIVET-<br>(SIZE DETERMINE ON INST) | A-D,<br>J-N, V<br>, Y, Z,<br>AE, AF<br>, AJ, A<br>K<br>AN-AR<br>, AW, A<br>Y, BA,<br>BB, BE<br>, BF<br>BJ, BK<br>, BN, B<br>P, BS,<br>BT, BW<br>, BX<br>CA-CC<br>, CT-C<br>V, DS,<br>DT           | 4            |

# 71-11-56

 ILLUSTRATED PARTS LIST  
 01.1 Page 1064R  
 Nov 01/04

 **BOEING**  
COMPONENT  
MAINTENANCE MANUAL

| FIG. & ITEM | PART NO.   | AIRLINE PART NUMBER | NOMENCLATURE                        | EFF CODE   | QTY PER ASSY |
|-------------|------------|---------------------|-------------------------------------|--|--------------|
| 07-366      | BACR15FT5D |                     | 1234567<br>.RIVET-<br>(LIMITED)     | A-D,<br>J-N,V<br>,Y,Z,<br>AE,AF<br>,AJ,A<br>K<br>AN-AR<br>,AW,A<br>Y,BA,<br>BB,BE<br>,BF<br>BJ,BK<br>,BN,B<br>P,BS,<br>BT,BW<br>,BX  | 5            |
| 370         | BACR15FT5D |                     | .RIVET-<br>(SIZE DETERMINE ON INST) | E,F,H<br>,Q,R,<br>T,U,W<br>,X,AA<br>,AC<br>AD,AG<br>,AH,A<br>L,AM,<br>AS-AV<br>,AX<br>AZ,BC<br>,BD,B<br>G,BH,<br>BL,BM<br>,BQ<br>BR,BU<br>,BV,B<br>Y,BZ,<br>CH-CK<br>DA-DC<br>,DU,D<br>V | 4            |

71-11-56

ILLUSTRATED PARTS LIST

01.1 Page 1064S

Nov 01/04

| FIG. & ITEM | PART NO.     | AIRLINE PART NUMBER | NOMENCLATURE                        | EFF CODE   | QTY PER ASSY |
|-------------|--------------|---------------------|-------------------------------------|--|--------------|
| 07-375      | MS20427M5C   |                     | .RIVET-<br>(SIZE DETERMINE ON INST) | A-D,<br>J-N,V<br>,Y,Z,<br>AE,AF<br>,AJ,A<br>K<br>AN-AR<br>,AW,A<br>Y,BA,<br>BB,BE<br>,BF<br>BJ,BK<br>,BN,B<br>P,BS,<br>BT,BW<br>,BX<br>CA-CC<br>,CT-C<br>V,DS,<br>DT | 4            |
| 380         | 315T3400-130 |                     | .FILLER                             | A-D,<br>J-N,V<br>,Y,Z,<br>AE,AF<br>,AJ,A<br>K<br>AN-AR<br>,AW,A<br>Y,BA,<br>BB,BE<br>,BF<br>BJ,BK<br>,BN,B<br>P,BS,<br>BT,BW<br>,BX<br>CA-CC<br>,CT-C<br>V,DS,<br>DT | 1            |

# 71-11-56

 ILLUSTRATED PARTS LIST  
 01.1 Page 1064T  
 Nov 01/04

**BOEING**  
COMPONENT  
MAINTENANCE MANUAL

| FIG. & ITEM | PART NO.     | AIRLINE PART NUMBER | NOMENCLATURE | EFF CODE  | QTY PER ASSY |
|-------------|--------------|---------------------|--------------|---|--------------|
| 07-385      | NAS1398CW5-4 |                     | .RIVET       | A-F,<br>H-N,Q<br>,R,<br>T-AA,<br>AC-CC<br>CH-CK<br>,CT-C<br>V,D<br>A-DC,<br>DS-DV | 2            |
| 390         | NAS1398CW5-3 |                     | .RIVET       | A-F,<br>H-N,Q<br>,R,<br>T-AA,<br>AC-CC<br>CH-CK<br>,CT-C<br>V,D<br>A-DC,<br>DS-DV | 7            |
| 392         | NAS1398CW5-2 |                     | .RIVET       | A-F,<br>H-N,Q<br>,R,<br>T-AA,<br>AC-CC<br>CH-CK<br>,CT-C<br>V,D<br>A-DC,<br>DS-DV | 4            |

**71-11-56**

ILLUSTRATED PARTS LIST  
01.1 Page 1064U  
Nov 01/04



| FIG. & ITEM | PART NO.    | AIRLINE PART NUMBER | NOMENCLATURE | EFF CODE   | QTY PER ASSY |
|-------------|-------------|---------------------|--------------|--|--------------|
| 07-395      | BACB30MY8K9 |                     | .BOLT        | A-D,<br>J-N,V<br>,Y,Z,<br>AE,AF<br>,AJ,A<br>K<br>AN-AR<br>,AW,A<br>Y,BA,<br>BB,BE<br>,BF<br>BJ,BK<br>,BN,B<br>P,BS,<br>BT,BW<br>,BX<br>CA-CC<br>,CT-C<br>V,DS,<br>DT<br>E,F,H<br>,Q,R,<br>T,U,W<br>,X,AA<br>,AC<br>AD,AG<br>,AH,A<br>L,AM,<br>AS-AV<br>,AX<br>AZ,BC<br>,BD,B<br>G,BH,<br>BL,BM<br>,BQ<br>BR,BU<br>,BV,B<br>Y,BZ,<br>CH-CK<br>DA-DC<br>,DU,D<br>V | 2            |
| -396        | BACB30MY6K9 |                     | .BOLT        |  | 2            |

# 71-11-56

 ILLUSTRATED PARTS LIST  
 01.1 Page 1064V  
 Nov 01/04

 **BOEING**  
COMPONENT  
MAINTENANCE MANUAL

| FIG. & ITEM | PART NO.    | AIRLINE PART NUMBER | NOMENCLATURE   | EFF CODE   | QTY PER ASSY |
|-------------|-------------|---------------------|--|--|--------------|
| 07-400      | BACB30MY6K8 |                     | .BOLT  | E, F, H<br>, Q, R,<br>, T, U, W<br>, X, AA<br>, AC<br>AD, AG<br>, AH, A<br>L, AM,<br>AS-AV<br>, AX<br>AZ, BC<br>, BD, B<br>G, BH,<br>BL, BM<br>, BQ<br>BR, BU<br>, BV, B<br>Y, BZ,<br>CH-CK<br>DA-DC<br>, DU, D<br>V | 1            |
| 405         | L8006K6     |                     | .BOLT-<br>(V06725)<br>(SPEC BACB30MY6K6)<br>(OPT HL10VAZ6-6<br>(VOPTK6)) | A-D,<br>J-N, V<br>, Y, Z,<br>AE, AF<br>, AJ, A<br>K<br>AN-AR<br>, AW, A<br>Y, BA,<br>BB, BE<br>, BF<br>BJ, BK<br>, BN, B<br>P, BS,<br>BT, BW<br>, BX<br>CA-CC<br>, CT-C<br>V, DS,<br>DT                              | 6            |

71-11-56

ILLUSTRATED PARTS LIST  
01.1 Page 1064W  
Nov 01/04

| FIG. & ITEM | PART NO.    | AIRLINE PART NUMBER | NOMENCLATURE   | EFF CODE   | QTY PER ASSY |
|-------------|-------------|---------------------|--|--|--------------|
| 07-407      | BACB30MY6K5 |                     | .BOLT  | A-F,<br>H-N,Q<br>,R,<br>T-AA,<br>AC-CC<br>CH-CK<br>,CT-C<br>V,D<br>A-DC,<br>DS-DV  | 3            |
| 410         | L8006K6     |                     | .BOLT-<br>(V06725)<br>(SPEC BACB30MY6K6)<br>(OPT HL10VAZ6-6<br>(VOPTK6)) | E,F,H<br>,Q,R,<br>T,U,W<br>,X,AA<br>,AC<br>AD,AG<br>,AH,A<br>L,AM,<br>AS-AV<br>,AX<br>AZ,BC<br>,BD,B<br>G,BH,<br>BL,BM<br>,BQ<br>BR,BU<br>,BV,B<br>Y,BZ,<br>CH-CK<br>DA-DC<br>,DU,D<br>V | 4            |

# 71-11-56

 ILLUSTRATED PARTS LIST  
 01.1 Page 1064X  
 Nov 01/04

 **BOEING**  
COMPONENT  
MAINTENANCE MANUAL

| FIG. & ITEM | PART NO. | AIRLINE PART NUMBER | NOMENCLATURE<br>1234567  | EFF CODE   | QTY PER ASSY |
|-------------|----------|---------------------|--|--|--------------|
| 07-415      | HL79-8   |                     | .COLLAR-<br>(V5M902)<br>(SPEC BACC30M8)<br>(OPT HL79-8<br>(V73197))<br>(OPT HL79-8<br>(V92215))<br>(OPT 66014-8<br>(V56878))<br>(OPT HL79-8<br>(V56878)) | A-D,<br>J-N,V<br>,Y,Z,<br>AE,AF<br>,AJ,A<br>K<br>AN-AR<br>,AW,A<br>Y,BA,<br>BB,BE<br>,BF<br>BJ,BK<br>,BN,B<br>P,BS,<br>BT,BW<br>,BX<br>CA-CC<br>,CT-C<br>V,DS,<br>DT | 2            |
| 420         | HL79-6   |                     | .COLLAR-<br>(V5M902)<br>(SPEC BACC30M6)<br>(OPT HL79-6<br>(V73197))<br>(OPT HL79-6<br>(V92215))<br>(OPT 66014-6<br>(V56878))<br>(OPT HL79-6<br>(V56878)) | A-D,<br>J-N,V<br>,Y,Z,<br>AE,AF<br>,AJ,A<br>K<br>AN-AR<br>,AW,A<br>Y,BA,<br>BB,BE<br>,BF<br>BJ,BK<br>,BN,B<br>P,BS,<br>BT,BW<br>,BX<br>CA-CC<br>,CT-C<br>V,DS,<br>DT | 9            |

71-11-56

ILLUSTRATED PARTS LIST  
01.1 Page 1064Y  
Nov 01/04

| FIG. & ITEM | PART NO.      | AIRLINE PART NUMBER | NOMENCLATURE<br>1234567   | EFF CODE   | QTY PER ASSY |
|-------------|---------------|---------------------|---|--|--------------|
| 07-425      | HL79-6        |                     | . COLLAR-<br>(V5M902)<br>(SPEC BACC30M6)<br>(OPT HL79-6<br>(V73197))<br>(OPT HL79-6<br>(V92215))<br>(OPT 66014-6<br>(V56878))<br>(OPT HL79-6<br>(V56878)) | E, F, H<br>, Q, R,<br>, T, U, W<br>, X, AA<br>, AC<br>, AD, AG<br>, AH, A<br>, L, AM,<br>, AS-AV<br>, AX<br>, AZ, BC<br>, BD, B<br>, G, BH,<br>, BL, BM<br>, BQ<br>, BR, BU<br>, BV, B<br>, Y, BZ,<br>, CH-CK<br>, DA-DC<br>, DU, D<br>, V | 10           |
| 430         | MS21141U0808P |                     | . FASTENER  | A-F,<br>H-N, Q<br>, R,<br>, T-AA,<br>, AC-CC<br>, CH-CK<br>, CT-C<br>, V, D<br>, A-DC,<br>, DS-DV  | 1            |
| 435         | MS21141U0806P |                     | . FASTENER  | A-F,<br>H-N, Q<br>, R,<br>, T-AA,<br>, AC-CC<br>, CH-CK<br>, CT-C<br>, V, D<br>, A-DC,<br>, DS-DV  | 5            |

# 71-11-56

 ILLUSTRATED PARTS LIST  
 01.1 Page 1064Z  
 Nov 01/04

 **BOEING**  
COMPONENT  
MAINTENANCE MANUAL

| FIG. & ITEM | PART NO.      | AIRLINE PART NUMBER | NOMENCLATURE<br>1234567 | EFF CODE   | QTY PER ASSY |
|-------------|---------------|---------------------|-------------------------|--|--------------|
| 07-440      | MS21141U0606P |                     | .FASTENER               | A-F,<br>H-N,Q<br>,R,<br>T-AA,<br>AC-CC<br>CH-CK<br>,CT-C<br>V,D<br>A-DC,<br>DS-DV  | 4            |
| 442         | MS21141U0809P |                     | .FASTENER               | A-F,<br>H-N,Q<br>,R,<br>T-AA,<br>AC-CC<br>CH-CK<br>,CT-C<br>V,D<br>A-DC,<br>DS-DV  | 6            |
| 445         | MS21141U0809P |                     | .FASTENER               | A-D,<br>J-N,V<br>,Y,Z,<br>AE,AF<br>,AJ,A<br>K<br>AN-AR<br>,AW,A<br>Y,BA,<br>BB,BE<br>,BF<br>BJ,BK<br>,BN,B<br>P,BS,<br>BT,BW<br>,BX<br>CA-CC<br>,CT-C<br>V,DS,<br>DT | 1            |

**71-11-56**

ILLUSTRATED PARTS LIST  
01.1 Page 1065  
Nov 01/04

| FIG. & ITEM | PART NO.      | AIRLINE PART NUMBER | NOMENCLATURE<br>1234567 | EFF CODE   | QTY PER ASSY |
|-------------|---------------|---------------------|-------------------------|--|--------------|
| 07-447      | MS21141U0807P |                     | .FASTENER               | A-D,<br>J-N,V<br>,Y,Z,<br>AE,AF<br>,AJ,A<br>K<br>AN-AR<br>,AW,A<br>Y,BA,<br>BB,BE<br>,BF<br>BJ,BK<br>,BN,B<br>P,BS,<br>BT,BW<br>,BX<br>CA-CC<br>,CT-C<br>V,DS,<br>DT | 1            |
| 450         | MS21141U0809P |                     | DELETED                 |  |              |
| 455         | MS21141U0807P |                     | .FASTENER               | A-F,<br>H-N,Q<br>,R,<br>T-AA,<br>AC-CC<br>CH-CK<br>,CT-C<br>V,D<br>A-DC,<br>DS-DV  | 10           |

# 71-11-56

 ILLUSTRATED PARTS LIST  
 01.1 Page 1066  
 Nov 01/04

**BOEING**  
COMPONENT  
MAINTENANCE MANUAL

| FIG. & ITEM | PART NO.        | AIRLINE PART NUMBER | NOMENCLATURE<br>1234567 | EFF CODE  | QTY PER ASSY |
|-------------|-----------------|---------------------|-------------------------|---|--------------|
| 07-460      | MS21141U0607P   |                     | .FASTENER               | A-F,<br>H-N,Q<br>,R,<br>T-AA,<br>AC-CC<br>CH-CK<br>,CT-C<br>V,D<br>A-DC,<br>DS-DV | 1            |
| 465         | MS21141U0604P   |                     | .FASTENER               | A-F,<br>H-N,Q<br>,R,<br>T-AA,<br>AC-CC<br>CH-CK<br>,CT-C<br>V,D<br>A-DC,<br>DS-DV | 6            |
| 467         | BACF3H07JM007HN |                     | .FILLER                 | A-F,<br>H-N,Q<br>,R,<br>T-AA,<br>AC-CC<br>CH-CK<br>,CT-C<br>V,D<br>A-DC,<br>DS-DV | 3            |
| 470         | 315T4400-44     |                     | .FILLER                 | A-F,<br>H-N,Q<br>,R,<br>T-AA,<br>AC-BZ  | 1            |

**71-11-56**

ILLUSTRATED PARTS LIST  
01.1 Page 1066A  
Nov 01/04



| FIG. & ITEM         | PART NO.                   | AIRLINE PART NUMBER | NOMENCLATURE         | EFF CODE   | QTY PER ASSY |
|---------------------|----------------------------|---------------------|----------------------|--|--------------|
| 07-<br>475<br>-475A | 315T4400-19<br>315T4400-83 |                     | . FILLER<br>. FILLER | A<br>B-D,<br>J-N,V<br>,Y,Z,<br>AE,AF<br>,AJ,A<br>K<br>AN-AR<br>,AW,A<br>Y,BA,<br>BB,BE<br>,BF<br>BJ,BK<br>,BN,B<br>P,BS,<br>BT,BW<br>,BX<br>CA-CC<br>,CT-C<br>V,DS,<br>DT<br>E<br>F,H,Q<br>,R,T,<br>U,W,X<br>,AA,A<br>C,AD<br>AG,AH<br>,AL,A<br>M,A<br>S-AV,<br>AX,AZ<br>BC,BD<br>,BG,B<br>H,BL,<br>BM,BQ<br>,BR<br>BU,BV<br>,BY,B<br>Z,C<br>H-CK,<br>DA-DC<br>DU,DV | 1<br>1       |
| -480<br>-480A       | 315T4400-20<br>315T4400-84 |                     | . FILLER<br>. FILLER |  | 1<br>1       |

# 71-11-56

 ILLUSTRATED PARTS LIST  
 01.1 Page 1066B  
 Nov 01/04

**BOEING**  
COMPONENT  
MAINTENANCE MANUAL

| FIG. & ITEM | PART NO.    | AIRLINE PART NUMBER | NOMENCLATURE            | EFF CODE  | QTY PER ASSY |
|-------------|-------------|---------------------|-------------------------|---|--------------|
| 07-485      | 315T3665-9  |                     | .KEEPER-LATCH (LIMITED) | B-D,<br>J-N,V<br>,Y,Z,<br>AE,AF<br>,AJ,A<br>K<br>AN-AR<br>,AW,A<br>Y,BA,<br>BB,BE<br>,BF<br>BJ,BK<br>,BN,B<br>P,BS,<br>BT,BW<br>,BX | 1            |
| -485A       | 315T3665-13 |                     | .KEEPER-LATCH (LIMITED) | B-D,<br>J-N,V<br>,Y,Z,<br>AE,AF<br>,AJ,A<br>K<br>AN-AR<br>,AW,A<br>Y,BA,<br>BB,BE<br>,BF<br>BJ,BK<br>,BN,B<br>P,BS,<br>BT,BW<br>,BX | 1            |

71-11-56

ILLUSTRATED PARTS LIST  
01.1 Page 1066C  
Nov 01/04

| FIG. & ITEM           | PART NO.                  | AIRLINE PART NUMBER | NOMENCLATURE<br>1234567                     | EFF CODE   | QTY PER ASSY |
|-----------------------|---------------------------|---------------------|---|--|--------------|
| 07-<br>-485B<br>-485C | 315T3665-9<br>315T3665-15 |                     | .KEEPER-LATCH<br>.KEEPER-LATCH<br>(LIMITED) | A<br>B-D,<br>J-N,V<br>,Y,Z,<br>AE,AF<br>,AJ,A<br>K<br>AN-AR<br>,AW,A<br>Y,BA,<br>BB,BE<br>,BF<br>BJ,BK<br>,BN,B<br>P,BS,<br>BT,BW<br>,BX | 1<br>1       |
| -485D                 | 315T3665-17               |                     | .KEEPER-LATCH<br>(LIMITED)                  | B-D,<br>J-N,V<br>,Y,Z,<br>AE,AF<br>,AJ,A<br>K<br>AN-AR<br>,AW,A<br>Y,BA,<br>BB,BE<br>,BF<br>BJ,BK<br>,BN,B<br>P,BS,<br>BT,BW<br>,BX      | 1            |
| -485E                 | 315T3665-17               |                     | .KEEPER-LATCH                               | CA-CC<br>,CT-C<br>V  | 1            |

# 71-11-56

 ILLUSTRATED PARTS LIST  
 01.1 Page 1066D  
 Nov 01/04

**BOEING**  
COMPONENT  
MAINTENANCE MANUAL

| FIG. & ITEM       | PART NO.                   | AIRLINE PART NUMBER | NOMENCLATURE  | EFF CODE  | QTY PER ASSY |
|-------------------|----------------------------|---------------------|---|---|--------------|
|                   |                            |                     | 1234567   |   |              |
| 07-<br>490<br>495 | BACR15FT5D<br>315T3400-263 |                     | DELETED<br>.KEEPER-LATCH<br>(REPLD BY ITEM 495A)          | B-D,<br>J-N,V<br>,Y,Z,<br>AE,AF<br>,AJ,A<br>K<br>AN-AR<br>,AW,A<br>Y,BA,<br>BB,BE<br>,BF<br>BJ,BK<br>,BN,B<br>P,BS,<br>BT,BW<br>,BX | 1            |
| -495A             | 315T3400-275               |                     | .KEEPER-LATCH<br>(REPLS ITEM 495)<br>(REPLD BY ITEM 495B) | B-D,<br>J-N,V<br>,Y,Z,<br>AE,AF<br>,AJ,A<br>K<br>AN-AR<br>,AW,A<br>Y,BA,<br>BB,BE<br>,BF<br>BJ,BK<br>,BN,B<br>P,BS,<br>BT,BW<br>,BX | 1            |

71-11-56

ILLUSTRATED PARTS LIST  
01.1 Page 1066E  
Nov 01/04

| FIG. & ITEM  | PART NO.     | AIRLINE PART NUMBER | NOMENCLATURE<br>1234567            | EFF CODE   | QTY PER ASSY |
|--------------|--------------|---------------------|------------------------------------|--|--------------|
| 07-<br>-495B | 315T4400-91  |                     | .KEEPER-LATCH<br>(REPLS ITEM 495A) | B-D,<br>J-N,V<br>,Y,Z,<br>AE,AF<br>,AJ,A<br>K<br>AN-AR<br>,AW,A<br>Y,BA,<br>BB,BE<br>,BF<br>BJ,BK<br>,BN,B<br>P,BS,<br>BT,BW<br>,BX                                  | 1            |
| -495C        | 315T3400-263 |                     | .KEEPER-LATCH                      | A  | 1            |
| -495D        | 315T4400-91  |                     | .KEEPER-LATCH                      | CA-CC<br>,CT-C<br>V,DS,<br>DT  | 1            |
| 500          | MS20427M5C   |                     | DELETED                            |  |              |
| 502          | 315T4400-21  |                     | .SHIM                              | A-D,<br>J-N,V<br>,Y,Z,<br>AE,AF<br>,AJ,A<br>K<br>AN-AR<br>,AW,A<br>Y,BA,<br>BB,BE<br>,BF<br>BJ,BK<br>,BN,B<br>P,BS,<br>BT,BW<br>,BX<br>CA-CC<br>,CT-C<br>V,DS,<br>DT | AR           |

# 71-11-56

ILLUSTRATED PARTS LIST

01.1 Page 1066F

Nov 01/04

**BOEING**  
COMPONENT  
MAINTENANCE MANUAL

| FIG. & ITEM | PART NO.    | AIRLINE PART NUMBER | NOMENCLATURE | EFF CODE   | QTY PER ASSY |
|-------------|-------------|---------------------|--------------|--|--------------|
| 07-504      | 315T4400-22 |                     | .SHIM        | E, F, H, Q, R, T, U, W, X, AA, AC, AD, AG, AH, A, L, AM, AS-AV, AX, AZ, BC, BD, B, G, BH, BL, BM, BQ, BR, BU, BV, B, Y, BZ, CH-CK, DA-DC, DU, D, V | AR           |
| 506         | 315T4400-23 |                     | .SHIM        | A-D, J-N, V, Y, Z, AE, AF, AJ, A, K, AN-AR, AW, A, Y, BA, BB, BE, BF, BJ, BK, BN, B, P, BS, BT, BW, BX, CA-CC, CT-C, V, DS, DT                     | AR           |

71-11-56

ILLUSTRATED PARTS LIST  
01.1 Page 1066G  
Nov 01/04

| FIG. & ITEM | PART NO.    | AIRLINE PART NUMBER | NOMENCLATURE | EFF CODE   | QTY PER ASSY |
|-------------|-------------|---------------------|--------------|--|--------------|
| 07-<br>-508 | 315T4400-24 |                     | .SHIM        | E, F, H<br>, Q, R,<br>T, U, W<br>, X, AA<br>, AC<br>AD, AG<br>, AH, A<br>L, AM,<br>AS-AV<br>, AX<br>AZ, BC<br>, BD, B<br>G, BH,<br>BL, BM<br>, BQ<br>BR, BU<br>, BV, B<br>Y, BZ,<br>CH-CK<br>DA-DC<br>, DU, D<br>V | AR           |
| 510         | 315T4400-17 |                     | .FILLER      | E, F, H<br>, Q, R,<br>T, U, W<br>, X, AA<br>, AC<br>AD, AG<br>, AH, A<br>L, AM,<br>AS-AV<br>, AX<br>AZ, BC<br>, BD, B<br>G, BH,<br>BL, BM<br>, BQ<br>BR, BU<br>, BV, B<br>Y, BZ,<br>CH-CK<br>DA-DC<br>, DU, D<br>V | 1            |

# 71-11-56

 ILLUSTRATED PARTS LIST  
 01.1 Page 1066H  
 Nov 01/04

**BOEING**  
COMPONENT  
MAINTENANCE MANUAL

| FIG. & ITEM | PART NO.    | AIRLINE PART NUMBER | NOMENCLATURE          | EFF CODE   | QTY PER ASSY |
|-------------|-------------|---------------------|-----------------------|--|--------------|
| 07-512      | 315T4400-18 |                     | . FILLER              | E, F, H<br>, Q, R,<br>T, U, W<br>, X, AA<br>, AC<br>AD, AG<br>, AH, A<br>L, AM,<br>AS-AV<br>, AX<br>AZ, BC<br>, BD, B<br>G, BH,<br>BL, BM<br>, BQ<br>BR, BU<br>, BV, B<br>Y, BZ,<br>CH-CK<br>DA-DC<br>, DU, D<br>V | 1            |
| 514         | 9425-2      |                     | DELETED               |  |              |
| 514A        | H2850-2     |                     | DELETED               |  |              |
| 516         | 315T3412-15 |                     | . FITTING ASSY-ATTACH | A-D,<br>J-N, V<br>, Y, Z,<br>AE, AF<br>, AJ, A<br>K<br>AN-AR<br>, AW, A<br>Y, BA,<br>BB, BE<br>, BF<br>BJ, BK<br>, BN, B<br>P, BS,<br>BT, BW<br>, BX<br>CA-CC<br>, CT-C<br>V, DS,<br>DT                            | 1            |

71-11-56

ILLUSTRATED PARTS LIST  
01.1 Page 1066I  
Nov 01/04



| FIG. & ITEM  | PART NO.    | AIRLINE PART NUMBER | NOMENCLATURE<br>1234567   | EFF CODE   | QTY PER ASSY |
|--------------|-------------|---------------------|---|--|--------------|
| 07-<br>-516A | 315T3412-15 |                     | .FITTING ASSY-ATTACH<br>(USED ON ITEMS 1C, 1D,<br>1E, 1F, 1G, 1H, 1J) | DS,DT  | 1            |
| -516B        | 315T3412-17 |                     | .FITTING ASSY-ATTACH<br>(USED ON ITEMS 1K, 1L,<br>1M, 1N, 1P, 1Q)     | DS,DT  | 1            |
| 518          | BACR15CE6D  |                     | ..RIVET-<br>(SIZE DETERMINE ON INST)<br>(OPT ITEM 518A)               | A-D,<br>J-N,V<br>,Y,Z,<br>AE,AF<br>,AJ,A<br>K<br>AN-AR<br>,AW,A<br>Y,BA,<br>BB,BE<br>,BF<br>BJ,BK<br>,BN,B<br>P,BS,<br>BT,BW<br>,BX<br>CA-CC<br>,CT-C<br>V,DS,<br>DT | 1            |

# 71-11-56

 ILLUSTRATED PARTS LIST  
 01.1 Page 1066J  
 Nov 01/04

**BOEING**  
COMPONENT  
MAINTENANCE MANUAL

| FIG. & ITEM  | PART NO.   | AIRLINE PART NUMBER | NOMENCLATURE  | EFF CODE   | QTY PER ASSY |
|--------------|------------|---------------------|---|--|--------------|
| 07-<br>-518A | AF5141-3C  |                     | 1234567<br>..RIVET-<br>(V53551)<br>(SPEC BACR15DR3AC)<br>(OPT CCR264CS3C<br>(V11815))<br>(OPT RV541A3C<br>(V98996))<br>(SIZE DETERMINE ON INST)<br>(OPT ITEM 518) | A-D,<br>J-N,V<br>,Y,Z,<br>AE,AF<br>,AJ,A<br>K<br>AN-AR<br>,AW,A<br>Y,BA,<br>BB,BE<br>,BF<br>BJ,BK<br>,BN,B<br>P,BS,<br>BT,BW<br>,BX<br>CA-CC<br>,CT-C<br>V,DS,<br>DT | 1            |
| 520          | BACR15CE6D |                     | ..RIVET-<br>(SIZE DETERMINE ON INST)  | A-D,<br>J-N,V<br>,Y,Z,<br>AE,AF<br>,AJ,A<br>K<br>AN-AR<br>,AW,A<br>Y,BA,<br>BB,BE<br>,BF<br>BJ,BK<br>,BN,B<br>P,BS,<br>BT,BW<br>,BX<br>CA-CC<br>,CT-C<br>V,DS,<br>DT | 1            |

71-11-56

ILLUSTRATED PARTS LIST  
01.1 Page 1066K  
Nov 01/04

| FIG. & ITEM | PART NO.  | AIRLINE PART NUMBER | NOMENCLATURE   | EFF CODE   | QTY PER ASSY |
|-------------|-----------|---------------------|--|--|--------------|
| 07-524      | BR2000C4D |                     | 1234567<br>..NUTPLATE-<br>(V52828)<br>(SPEC BACN10JR4CD)<br>(OPT K51601-4BAC<br>(V15653))<br>(OPT NS202439-048<br>(V80539))<br>(OPT 102A9201-4<br>(V72962))<br>(OPT ITEM 524A)                       | A-D,<br>J-N,V<br>,Y,Z,<br>AE,AF<br>,AJ,A<br>K<br>AN-AR<br>,AW,A<br>Y,BA,<br>BB,BE<br>,BF<br>BJ,BK<br>,BN,B<br>P,BS,<br>BT,BW<br>,BX<br>CA-CC<br>,CT-C<br>V,DS,<br>DT | 1            |
| -524A       | BRF200C4D |                     | ..NUTPLATE-<br>(V52828)<br>(SPEC BACN10JR4CFD)<br>(OPT K51602-4BAC<br>(V15653))<br>(OPT NS202476-048<br>(V80539))<br>(OPT 102F9201-4<br>(V72962))<br>(OPT T8092C428CD<br>(V11815))<br>(OPT ITEM 524) | A-D,<br>J-N,V<br>,Y,Z,<br>AE,AF<br>,AJ,A<br>K<br>AN-AR<br>,AW,A<br>Y,BA,<br>BB,BE<br>,BF<br>BJ,BK<br>,BN,B<br>P,BS,<br>BT,BW<br>,BX<br>CA-CC<br>,CT-C<br>V,DS,<br>DT | 1            |

# 71-11-56

 ILLUSTRATED PARTS LIST  
 01.1 Page 1066L  
 Nov 01/04

 **BOEING**  
COMPONENT  
MAINTENANCE MANUAL

| FIG. & ITEM | PART NO.    | AIRLINE PART NUMBER | NOMENCLATURE<br>1234567           | EFF CODE   | QTY PER ASSY |
|-------------|-------------|---------------------|-----------------------------------|--|--------------|
| 07-526      | 315T3412-16 |                     | ..FITTING                         | A-D,<br>J-N,V<br>,Y,Z,<br>AE,AF<br>,AJ,A<br>K<br>AN-AR<br>,AW,A<br>Y,BA,<br>BB,BE<br>,BF<br>BJ,BK<br>,BN,B<br>P,BS,<br>BT,BW<br>,BX<br>CA-CC<br>,CT-C<br>V           | 1            |
| -526A       | 315T3412-16 |                     | ..FITTING-<br>(USED ON ITEM 516A) | DS,DT  | 1            |
| -526B       | 315T3412-18 |                     | ..FITTING-<br>(USED ON ITEM 516B) | DS,DT  | 1            |
| 528         | 315T4400-7  |                     | .FAIRING ASSY-AFT                 | A-D,<br>J-N,V<br>,Y,Z,<br>AE,AF<br>,AJ,A<br>K<br>AN-AR<br>,AW,A<br>Y,BA,<br>BB,BE<br>,BF<br>BJ,BK<br>,BN,B<br>P,BS,<br>BT,BW<br>,BX<br>CA-CC<br>,CT-C<br>V,DS,<br>DT | 1            |

**71-11-56**

ILLUSTRATED PARTS LIST  
01.1 Page 1066M  
Nov 01/04

| FIG. & ITEM | PART NO.     | AIRLINE PART NUMBER | NOMENCLATURE              | EFF CODE   | QTY PER ASSY |
|-------------|--------------|---------------------|---------------------------|--|--------------|
| 07-530      | 315T4400-8   |                     | .FAIRING ASSY-AFT         | E,F,H<br>,Q,R,<br>T,U,W<br>,X,AA<br>,AC<br>AD,AG<br>,AH,A<br>L,AM,<br>AS-AV<br>,AX<br>AZ,BC<br>,BD,B<br>G,BH,<br>BL,BM<br>,BQ<br>BR,BU<br>,BV,B<br>Y,BZ,<br>CH-CK<br>DA-DC<br>,DU,D<br>V | 1            |
| 532         | NAS1398CW5-5 |                     | ATTACHING PARTS<br>.RIVET | A-F,<br>H-N,Q<br>,R,<br>T-AA,<br>AC-CC<br>CH-CK<br>,CT-C<br>V,D<br>A-DC,<br>DS-DV  | 11           |

# 71-11-56

 ILLUSTRATED PARTS LIST  
 01.1 Page 1066N  
 Nov 01/04

 **BOEING**  
COMPONENT  
MAINTENANCE MANUAL

| FIG. & ITEM | PART NO.     | AIRLINE PART NUMBER | NOMENCLATURE<br>1234567                             | EFF CODE  | QTY PER ASSY |
|-------------|--------------|---------------------|---|---|--------------|
| 07-534      | NAS1398CW5-6 |                     | .RIVET  | A-F,<br>H-N,Q<br>,R,<br>T-AA,<br>AC-CC<br>CH-CK<br>,CT-C<br>V,D<br>A-DC,<br>DS-DV | 3            |
| 535         | BACR15CE5D   |                     | -----*-----<br>..RIVET-<br>(SIZE DETERMINE ON INST) | A-F,<br>H-N,Q<br>,R,<br>T-AA,<br>AC-CC<br>CH-CK<br>,CT-C<br>V,D<br>A-DC,<br>DS-DV | 20           |
| 536         | 315T4400-15  |                     | ..DOUBLER   | A-F,<br>H-N,Q<br>,R,<br>T-AA,<br>AC-CC<br>CH-CK<br>,CT-C<br>V,D<br>A-DC,<br>DS-DV | 2            |

**71-11-56**

ILLUSTRATED PARTS LIST  
01.1 Page 10660  
Nov 01/04

| FIG. & ITEM | PART NO.    | AIRLINE PART NUMBER | NOMENCLATURE | EFF CODE   | QTY PER ASSY |
|-------------|-------------|---------------------|--------------|--|--------------|
| 07-537      | 315T4400-13 |                     | ..CHANNEL    | A-D,<br>J-N,V<br>,Y,Z,<br>AE,AF<br>,AJ,A<br>K<br>AN-AR<br>,AW,A<br>Y,BA,<br>BB,BE<br>,BF<br>BJ,BK<br>,BN,B<br>P,BS,<br>BT,BW<br>,BX<br>CA-CC<br>,CT-C<br>V,DS,<br>DT                     | 1            |
| -537E       | 315T4400-14 |                     | ..CHANNEL    | E,F,H<br>,Q,R,<br>T,U,W<br>,X,AA<br>,AC<br>AD,AG<br>,AH,A<br>L,AM,<br>AS-AV<br>,AX<br>AZ,BC<br>,BD,B<br>G,BH,<br>BL,BM<br>,BQ<br>BR,BU<br>,BV,B<br>Y,BZ,<br>CH-CK<br>DA-DC<br>,DU,D<br>V | 1            |

# 71-11-56

 ILLUSTRATED PARTS LIST  
 01.1 Page 1066P  
 Nov 01/04

**BOEING**  
COMPONENT  
MAINTENANCE MANUAL

| FIG. & ITEM | PART NO.    | AIRLINE PART NUMBER | NOMENCLATURE         | EFF CODE   | QTY PER ASSY |
|-------------|-------------|---------------------|----------------------|--|--------------|
| 07-537J     | 315T4400-11 |                     | 1234567<br>..CHANNEL | A-D,<br>J-N,V<br>,Y,Z,<br>AE,AF<br>,AJ,A<br>K<br>AN-AR<br>,AW,A<br>Y,BA,<br>BB,BE<br>,BF<br>BJ,BK<br>,BN,B<br>P,BS,<br>BT,BW<br>,BX<br>CA-CC<br>,CT-C<br>V,DS,<br>DT                     | 1            |
| -537P       | 315T4400-12 |                     | ..CHANNEL            | E,F,H<br>,Q,R,<br>T,U,W<br>,X,AA<br>,AC<br>AD,AG<br>,AH,A<br>L,AM,<br>AS-AV<br>,AX<br>AZ,BC<br>,BD,B<br>G,BH,<br>BL,BM<br>,BQ<br>BR,BU<br>,BV,B<br>Y,BZ,<br>CH-CK<br>DA-DC<br>,DU,D<br>V | 1            |

71-11-56

ILLUSTRATED PARTS LIST  
01.1 Page 1066Q  
Nov 01/04



| FIG. & ITEM        | PART NO.                         | AIRLINE PART NUMBER | NOMENCLATURE<br>1234567 | EFF CODE   | QTY PER ASSY |
|--------------------|----------------------------------|---------------------|-------------------------|--|--------------|
| 07-<br>538<br>538A | BACS40R10C20F<br>BACS40R010C020F |                     | DELETED<br>.SHIM        | A-F,<br>H-N,Q<br>,R,<br>T-AA,<br>AC-CC<br>CH-CK<br>,CT-C<br>V,D<br>A-DC,<br>DS-DV  | AR           |
| 540<br>540A        | BACS40R10C39F<br>BACS40R010C039F |                     | DELETED<br>.SHIM        | A-F,<br>H-N,Q<br>,R,<br>T-AA,<br>AC-CC<br>CH-CK<br>,CT-C<br>V,D<br>A-DC,<br>DS-DV  | AR           |
| 542<br>542A        | 315T1448-3<br>315T1448-5         |                     | DELETED<br>.BOLT-LATCH  | E,F,H<br>,Q,R,<br>T,U,W<br>,X,AA<br>,AC<br>AD,AG<br>,AH,A<br>L,AM,<br>AS-AV<br>,AX<br>AZ,BC<br>,BD,B<br>G,BH,<br>BL,BM<br>,BQ<br>BR,BU<br>,BV,B<br>Y,BZ,<br>CH-CK<br>DA-DC<br>,DU,D<br>V | 1            |

# 71-11-56

 ILLUSTRATED PARTS LIST  
 01.1 Page 1066R  
 Nov 01/04

**BOEING**  
COMPONENT  
MAINTENANCE MANUAL

| FIG. & ITEM | PART NO.                     | AIRLINE PART NUMBER | NOMENCLATURE       | EFF CODE   | QTY PER ASSY |
|-------------|------------------------------|---------------------|--------------------|--|--------------|
| 07-544      | BACW10BP5ACU                 |                     | .WASHER            | E, F, H<br>, Q, R,<br>T, U, W<br>, X, AA<br>, AC<br>AD, AG<br>, AH, A<br>L, AM,<br>AS-AV<br>, AX<br>AZ, BC<br>, BD, B<br>G, BH,<br>BL, BM<br>, BQ<br>BR, BU<br>, BV, B<br>Y, BZ,<br>CH-CK<br>DA-DC<br>, DU, D<br>V | 1            |
| 546<br>546A | AN960JD516L<br>NAS1149D0516J |                     | DELETED<br>.WASHER | E, F, H<br>, Q, R,<br>T, U, W<br>, X, AA<br>, AC<br>AD, AG<br>, AH, A<br>L, AM,<br>AS-AV<br>, AX<br>AZ, BC<br>, BD, B<br>G, BH,<br>BL, BM<br>, BQ<br>BR, BU<br>, BV, B<br>Y, BZ,<br>CH-CK<br>DA-DC<br>, DU, D<br>V | AR           |

71-11-56

ILLUSTRATED PARTS LIST  
01.1 Page 1066S  
Nov 01/04

| FIG. & ITEM        | PART NO.                    | AIRLINE PART NUMBER | NOMENCLATURE       | EFF CODE   | QTY PER ASSY |
|--------------------|-----------------------------|---------------------|--------------------|--|--------------|
| 07-<br>548<br>548A | AN960-516L<br>NAS1149D0532P |                     | DELETED<br>.WASHER | E, F, H<br>, Q, R,<br>T, U, W<br>, X, AA<br>, AC<br>AD, AG<br>, AH, A<br>L, AM,<br>AS-AV<br>, AX<br>AZ, BC<br>, BD, B<br>G, BH,<br>BL, BM<br>, BQ<br>BR, BU<br>, BV, B<br>Y, BZ,<br>CH-CK<br>DA-DC<br>, DU, D<br>V | AR           |
| 550                | AN960-516                   |                     | DELETED            |  |              |

# 71-11-56

 ILLUSTRATED PARTS LIST  
 01.1 Page 1066T  
 Nov 01/04

**BOEING**  
COMPONENT  
MAINTENANCE MANUAL

| FIG. & ITEM | PART NO.                    | AIRLINE PART NUMBER | NOMENCLATURE       | EFF CODE   | QTY PER ASSY |
|-------------|-----------------------------|---------------------|--------------------|--|--------------|
| 07-550A     | NAS1149F0563P               |                     | 1234567<br>.WASHER | E, F, H<br>, Q, R,<br>T, U, W<br>, X, AA<br>, AC<br>AD, AG<br>, AH, A<br>L, AM,<br>AS-AV<br>, AX<br>AZ, BC<br>, BD, B<br>G, BH,<br>BL, BM<br>, BQ<br>BR, BU<br>, BV, B<br>Y, BZ,<br>CH-CK<br>DA-DC<br>, DU, D<br>V | AR           |
| 552<br>552A | AN960-416L<br>NAS1149F0432P |                     | DELETED<br>.WASHER | E, F, H<br>, Q, R,<br>T, U, W<br>, X, AA<br>, AC<br>AD, AG<br>, AH, A<br>L, AM,<br>AS-AV<br>, AX<br>AZ, BC<br>, BD, B<br>G, BH,<br>BL, BM<br>, BQ<br>BR, BU<br>, BV, B<br>Y, BZ,<br>CH-CK<br>DA-DC<br>, DU, D<br>V | AR           |

71-11-56

ILLUSTRATED PARTS LIST  
01.1 Page 1066U  
Nov 01/04

| FIG. & ITEM        | PART NO.                | AIRLINE PART NUMBER | NOMENCLATURE  | EFF CODE   | QTY PER ASSY |
|--------------------|-------------------------|---------------------|---|--|--------------|
| 07-<br>554<br>554A | BACN10JC3CM<br>BRH10C4M |                     | 1234567<br><br>DELETED<br>.NUT-<br>(V52828)<br>(SPEC BACN10JC4CM)<br>(OPT T6C428JM<br>(V11815))<br>(OPT 97E48<br>(V80539))<br>(OPT 109LH9075-4W<br>(V72962))<br>(OPT VN303D048<br>(V92215))<br>(OPT 9NS202101SE048<br>(VA8053))<br>(OPT H01-4BAC<br>(V15653)) | E, F, H<br>, Q, R,<br>, T, U, W<br>, X, AA<br>, AC<br>, AD, AG<br>, AH, A<br>, L, AM,<br>, AS-AV<br>, AX<br>, AZ, BC<br>, BD, B<br>, G, BH,<br>, BL, BM<br>, BQ<br>, BR, BU<br>, BV, B<br>, Y, BZ,<br>, CH-CK<br>, DA-DC<br>, DU, D<br>, V | 1            |
| 555                | H2850-2                 |                     | .LATCH ASSY-<br>(V83014)<br>(SPEC S315T110-2)<br>(OPT 9425-2<br>(V84256))   | E, F, H<br>, Q, R,<br>, T, U, W<br>, X, AA<br>, AC<br>, AD, AG<br>, AH, A<br>, L, AM,<br>, AS-AV<br>, AX<br>, AZ, BC<br>, BD, B<br>, G, BH,<br>, BL, BM<br>, BQ<br>, BR, BU<br>, BV, B<br>, Y, BZ,<br>, CH-CK<br>, DA-DC<br>, DU, D<br>, V | 1            |

# 71-11-56

 ILLUSTRATED PARTS LIST  
 01.1 Page 1066V  
 Nov 01/04



**BOEING**  
COMPONENT  
MAINTENANCE MANUAL

| FIG. & ITEM | PART NO.    | AIRLINE PART NUMBER | NOMENCLATURE<br>1234567  | EFF CODE  | QTY PER ASSY |
|-------------|-------------|---------------------|--|---|--------------|
| 07-<br>-556 | 315T3578-1  |                     | .SIGNAL INSTL  | E,F,H<br>,Q,R,<br>T,U,W<br>,X,AA<br>,AC<br>AD,AG<br>,AH,A<br>L,AM,<br>AS-AV<br>,AX<br>AZ,BC<br>,BD,B<br>G,BH,<br>BL,BM<br>,BQ<br>BR,BU<br>,BV,B<br>Y,BZ,<br>CH-CK<br>DA-DC<br>DU,DV | 1            |
| -556A       | 315T3578-1  |                     | .SIGNAL INSTL-<br>(NHA 315T4295, REF<br>COLLECTOR CMM 78-31-47)<br>(NHA 315U4295, REF<br>COLLECTOR CMM 78-31-48) |   | 1            |
| -556B       | 315T3578-4  |                     | .SIGNAL INSTL-<br>(NHA 315U4295, REF<br>COLLECTOR CMM 78-31-48)  | DV  | 1            |
| -556C       | 315T3578-6  |                     | .SIGNAL INSTL-<br>(NHA 315U4295, REF<br>COLLECTOR CMM 78-31-48)  | DV  | 1            |
| -556D       | 315T3578-8  |                     | .SIGNAL INSTL-<br>(NHA 315U4295, REF<br>COLLECTOR CMM 78-31-48)  | DV  | 1            |
| -556E       | 315T3578-10 |                     | .SIGNAL INSTL-<br>(NHA 315U4295, REF<br>COLLECTOR CMM 78-31-48)  | DV  | 1            |
| -556F       | 315T3578-12 |                     | .SIGNAL INSTL-<br>(NHA 315T4295, REF<br>COLLECTOR CMM 78-31-47)  | DU  | 1            |
| -556G       | 315T3578-14 |                     | .SIGNAL INSTL-<br>(NHA 315T4295, REF<br>COLLECTOR CMM 78-31-47)  | DU  | 1            |

71-11-56

ILLUSTRATED PARTS LIST  
01.1 Page 1066W  
Nov 01/04

| FIG. & ITEM | PART NO.   | AIRLINE PART NUMBER | NOMENCLATURE     | EFF CODE   | QTY PER ASSY |
|-------------|------------|---------------------|------------------|--|--------------|
| 07-558      | NAS509-4C  |                     | 1234567<br>..NUT | E, F, H<br>, Q, R,<br>, T, U, W<br>, X, AA<br>, AC<br>AD, AG<br>, AH, A<br>L, AM,<br>AS-AV<br>, AX<br>AZ, BC<br>, BD, B<br>G, BH,<br>BL, BM<br>, BQ<br>BR, BU<br>, BV, B<br>Y, BZ,<br>CH-CK<br>DA-DC<br>, DU, D<br>V | 2            |
| 560         | AN960C416L |                     | ..WASHER         | E, F, H<br>, Q, R,<br>, T, U, W<br>, X, AA<br>, AC<br>AD, AG<br>, AH, A<br>L, AM,<br>AS-AV<br>, AX<br>AZ, BC<br>, BD, B<br>G, BH,<br>BL, BM<br>, BQ<br>BR, BU<br>, BV, B<br>Y, BZ,<br>CH-CK<br>DA-DC<br>, DU, D<br>V | 1            |

# 71-11-56

 ILLUSTRATED PARTS LIST  
 01.1 Page 1066X  
 Nov 01/04

**BOEING**  
COMPONENT  
MAINTENANCE MANUAL

| FIG. & ITEM | PART NO.   | AIRLINE PART NUMBER | NOMENCLATURE     | EFF CODE   | QTY PER ASSY |
|-------------|------------|---------------------|------------------|--|--------------|
| 07-562      | 315T1452-2 |                     | 1234567<br>..ROD | E, F, H<br>, Q, R,<br>T, U, W<br>, X, AA<br>, AC<br>AD, AG<br>, AH, A<br>L, AM,<br>AS-AV<br>, AX<br>AZ, BC<br>, BD, B<br>G, BH,<br>BL, BM<br>, BQ<br>BR, BU<br>, BV, B<br>Y, BZ,<br>CH-CK<br>DA-DC<br>, DU, D<br>V | 1            |
| 564         | 315T3577-1 |                     | ..SPRING         | E, F, H<br>, Q, R,<br>T, U, W<br>, X, AA<br>, AC<br>AD, AG<br>, AH, A<br>L, AM,<br>AS-AV<br>, AX<br>AZ, BC<br>, BD, B<br>G, BH,<br>BL, BM<br>, BQ<br>BR, BU<br>, BV, B<br>Y, BZ,<br>CH-CK<br>DA-DC<br>, DU, D<br>V | 1            |

**71-11-56**

ILLUSTRATED PARTS LIST  
01.1 Page 1066Y  
Nov 01/04



| FIG. & ITEM | PART NO.   | AIRLINE PART NUMBER | NOMENCLATURE        | EFF CODE   | QTY PER ASSY |
|-------------|------------|---------------------|---------------------|--|--------------|
| 07-566      | 315T1450-2 |                     | 1234567<br>..FILLER | E, F, H<br>, Q, R,<br>T, U, W<br>, X, AA<br>, AC<br>AD, AG<br>, AH, A<br>L, AM,<br>AS-AV<br>, AX<br>AZ, BC<br>, BD, B<br>G, BH,<br>BL, BM<br>, BQ<br>BR, BU<br>, BV, B<br>Y, BZ,<br>CH-CK<br>DA-DC<br>, DU, D<br>V | 1            |
| 568         | 315T1451-2 |                     | ..HANDLE ASSY       | E, F, H<br>, Q, R,<br>T, U, W<br>, X, AA<br>, AC<br>AD, AG<br>, AH, A<br>L, AM,<br>AS-AV<br>, AX<br>AZ, BC<br>, BD, B<br>G, BH,<br>BL, BM<br>, BQ<br>BR, BU<br>, BV, B<br>Y, BZ,<br>CH-CK<br>DA-DC<br>, DU, D<br>V | 1            |

# 71-11-56

 ILLUSTRATED PARTS LIST  
 01.1 Page 1066Z  
 Nov 01/04

 **BOEING**  
COMPONENT  
MAINTENANCE MANUAL

| FIG. & ITEM | PART NO.    | AIRLINE PART NUMBER | NOMENCLATURE<br>1234567        | EFF CODE  | QTY PER ASSY |
|-------------|-------------|---------------------|--------------------------------|---|--------------|
| 07-570      | 315T3413-23 |                     | .FITTING ASSY-ATTACH (LIMITED) | F,H,Q<br>,R,T,<br>U,W,X<br>,AA,A<br>C,AD<br>AG,AH<br>,AL,A<br>M,A<br>S-AV,<br>AX,AZ<br>BC,BD<br>,BG,B<br>H,BL,<br>BM,BQ<br>,BR<br>BU,BV<br>,BY,B<br>Z | 1            |
| -570A       | 315T3413-27 |                     | .FITTING ASSY-ATTACH (LIMITED) | F,H,Q<br>,R,T,<br>U,W,X<br>,AA,A<br>C,AD<br>AG,AH<br>,AL,A<br>M,A<br>S-AV,<br>AX,AZ<br>BC,BD<br>,BG,B<br>H,BL,<br>BM,BQ<br>,BR<br>BU,BV<br>,BY,B<br>Z | 1            |
| -570B       | 315T3413-23 |                     | .FITTING ASSY-ATTACH           | E   | 1            |
| -570C       | 315T3413-27 |                     | .FITTING ASSY-ATTACH           | CH-CK<br>,DA-<br>DC,DU<br>,DV   | 1            |

71-11-56

ILLUSTRATED PARTS LIST  
01.1 Page 1067  
Nov 01/04

| FIG. & ITEM | PART NO.     | AIRLINE PART NUMBER | NOMENCLATURE | EFF CODE   | QTY PER ASSY |
|-------------|--------------|---------------------|--------------|--|--------------|
| 07-572      | BACB28Y5C037 |                     | ..BUSHING    | E, F, H<br>, Q, R,<br>T, U, W<br>, X, AA<br>, AC<br>AD, AG<br>, AH, A<br>L, AM,<br>AS-AV<br>, AX<br>AZ, BC<br>, BD, B<br>G, BH,<br>BL, BM<br>, BQ<br>BR, BU<br>, BV, B<br>Y, BZ,<br>CH-CK<br>DA-DC<br>, DU, D<br>V | 2            |
| 574         | 315T3708-4   |                     | ..SPRING     | E, F, H<br>, Q, R,<br>T, U, W<br>, X, AA<br>, AC<br>AD, AG<br>, AH, A<br>L, AM,<br>AS-AV<br>, AX<br>AZ, BC<br>, BD, B<br>G, BH,<br>BL, BM<br>, BQ<br>BR, BU<br>, BV, B<br>Y, BZ,<br>CH-CK<br>DA-DC<br>, DU, D<br>V | 1            |

# 71-11-56

ILLUSTRATED PARTS LIST

01.1

Page 1068

Nov 01/04

**BOEING**  
COMPONENT  
MAINTENANCE MANUAL

| FIG. & ITEM | PART NO.    | AIRLINE PART NUMBER | NOMENCLATURE<br>1234567             | EFF CODE   | QTY PER ASSY |
|-------------|-------------|---------------------|-------------------------------------|--|--------------|
| 07-576      | 315T3708-2  |                     | ..SPRING-FLAT                       | E, F, H<br>, Q, R,<br>T, U, W<br>, X, AA<br>, AC<br>AD, AG<br>, AH, A<br>L, AM,<br>AS-AV<br>, AX<br>AZ, BC<br>, BD, B<br>G, BH,<br>BL, BM<br>, BQ<br>BR, BU<br>, BV, B<br>Y, BZ,<br>CH-CK<br>DA-DC<br>, DU, D<br>V | 1            |
| 578         | BACB30NW5KE |                     | ..BOLT-<br>(SIZE DETERMINE ON INST) | E, F, H<br>, Q, R,<br>T, U, W<br>, X, AA<br>, AC<br>AD, AG<br>, AH, A<br>L, AM,<br>AS-AV<br>, AX<br>AZ, BC<br>, BD, B<br>G, BH,<br>BL, BM<br>, BQ<br>BR, BU<br>, BV, B<br>Y, BZ,<br>CH-CK<br>DA-DC<br>, DU, D<br>V | 2            |

**71-11-56**

ILLUSTRATED PARTS LIST  
01.1 Page 1068A  
Nov 01/04

| FIG. & ITEM | PART NO.     | AIRLINE PART NUMBER | NOMENCLATURE   | EFF CODE   | QTY PER ASSY |
|-------------|--------------|---------------------|--|--|--------------|
| 07-580      | HL70-5       |                     | 1234567<br>..COLLAR-<br>(V5M902)<br>(SPEC BACC30M5)<br>(OPT HL70-5<br>(V73197))<br>(OPT HL70-5<br>(V92215))<br>(OPT 66014-5<br>(V56878))<br>(OPT HL70-5<br>(V56878)) | E,F,H<br>,Q,R,<br>T,U,W<br>,X,AA<br>,AC<br>AD,AG<br>,AH,A<br>L,AM,<br>AS-AV<br>,AX<br>AZ,BC<br>,BD,B<br>G,BH,<br>BL,BM<br>,BQ<br>BR,BU<br>,BV,B<br>Y,BZ,<br>CH-CK<br>DA-DC<br>,DU,D<br>V | 2            |
| 582         | BACB28W3B037 |                     | ..BUSHING  | E,F,H<br>,Q,R,<br>T,U,W<br>,X,AA<br>,AC<br>AD,AG<br>,AH,A<br>L,AM,<br>AS-AV<br>,AX<br>AZ,BC<br>,BD,B<br>G,BH,<br>BL,BM<br>,BQ<br>BR,BU<br>,BV,B<br>Y,BZ,<br>CH-CK<br>DA-DC<br>,DU,D<br>V | 1            |

# 71-11-56

 ILLUSTRATED PARTS LIST  
 01.1 Page 1068B  
 Nov 01/04

 **BOEING**  
COMPONENT  
MAINTENANCE MANUAL

| FIG. & ITEM | PART NO.        | AIRLINE PART NUMBER | NOMENCLATURE         | EFF CODE   | QTY PER ASSY |
|-------------|-----------------|---------------------|----------------------|--|--------------|
| 07-584      | BACB28AM04B034A |                     | 1234567<br>..BUSHING | E, F, H<br>, Q, R,<br>T, U, W<br>, X, AA<br>, AC<br>AD, AG<br>, AH, A<br>L, AM,<br>AS-AV<br>, AX<br>AZ, BC<br>, BD, B<br>G, BH,<br>BL, BM<br>, BQ<br>BR, BU<br>, BV, B<br>Y, BZ,<br>CH-CK<br>DA-DC<br>, DU, D<br>V | 1            |
| 586         | BACB28X6C020    |                     | ..BUSHING            | E, F, H<br>, Q, R,<br>T, U, W<br>, X, AA<br>, AC<br>AD, AG<br>, AH, A<br>L, AM,<br>AS-AV<br>, AX<br>AZ, BC<br>, BD, B<br>G, BH,<br>BL, BM<br>, BQ<br>BR, BU<br>, BV, B<br>Y, BZ,<br>CH-CK<br>DA-DC<br>, DU, D<br>V | 1            |

**71-11-56**

ILLUSTRATED PARTS LIST  
01.1 Page 1068C  
Nov 01/04

| FIG. & ITEM | PART NO.      | AIRLINE PART NUMBER | NOMENCLATURE          | EFF CODE   | QTY PER ASSY |
|-------------|---------------|---------------------|-----------------------|--|--------------|
| 07-588      | MS21141-0504P |                     | 1234567<br>..FASTENER | E, F, H<br>, Q, R,<br>, T, U, W<br>, X, AA<br>, AC<br>AD, AG<br>, AH, A<br>L, AM,<br>AS-AV<br>, AX<br>AZ, BC<br>, BD, B<br>G, BH,<br>BL, BM<br>, BQ<br>BR, BU<br>, BV, B<br>Y, BZ,<br>CH-CK<br>DA-DC<br>, DU, D<br>V | 2            |
| 590         | 315T3413-11   |                     | ..STRIP-RUB           | E, F, H<br>, Q, R,<br>, T, U, W<br>, X, AA<br>, AC<br>AD, AG<br>, AH, A<br>L, AM,<br>AS-AV<br>, AX<br>AZ, BC<br>, BD, B<br>G, BH,<br>BL, BM<br>, BQ<br>BR, BU<br>, BV, B<br>Y, BZ,<br>CH-CK<br>DA-DC<br>, DU, D<br>V | 1            |

# 71-11-56

 ILLUSTRATED PARTS LIST  
 01.1 Page 1068D  
 Nov 01/04

 **BOEING**  
COMPONENT  
MAINTENANCE MANUAL

| FIG. & ITEM | PART NO.    | AIRLINE PART NUMBER | NOMENCLATURE  | EFF CODE  | QTY PER ASSY |
|-------------|-------------|---------------------|---|---|--------------|
| 07-592      | 315T3413-24 |                     | 1234567<br>..FITTING-<br>(USED ON ITEMS 570,<br>570B) | E,F,H<br>,Q,R<br>,T,U,W<br>,X,AA<br>,AC<br>AD,AG<br>,AH,A<br>L,AM,<br>AS-AV<br>,AX<br>AZ,BC<br>,BD,B<br>G,BH,<br>BL,BM<br>,BQ<br>BR,BU<br>,BV,B<br>Y,BZ                           | 1            |
| -592A       | 315T3413-26 |                     | ..FITTING-<br>(USED ON ITEMS 570A,<br>570C)           | F,H,Q<br>,R,T<br>U,W,X<br>,AA,A<br>C,AD<br>AG,AH<br>,AL,A<br>M,A<br>S-AV,<br>AX,AZ<br>BC,BD<br>,BG,B<br>H,BL,<br>BM,BQ<br>,BR<br>BU,BV<br>,BY,B<br>Z,C<br>H-CK,<br>DA-DC<br>DU,DV | 1            |

**71-11-56**

ILLUSTRATED PARTS LIST  
01.1 Page 1068E  
Nov 01/04



| FIG. & ITEM | PART NO.    | AIRLINE PART NUMBER | NOMENCLATURE | EFF CODE   | QTY PER ASSY |
|-------------|-------------|---------------------|--------------|--|--------------|
| 07-594      | 315T1448-8  |                     | .BOLT-LATCH  | E, F, H<br>, Q, R,<br>, T, U, W<br>, X, AA<br>, AC<br>AD, AG<br>, AH, A<br>L, AM,<br>AS-AV<br>, AX<br>AZ, BC<br>, BD, B<br>G, BH,<br>BL, BM<br>, BQ<br>BR, BU<br>, BV, B<br>Y, BZ,<br>CH-CK<br>DA-DC<br>, DU, D<br>V | 3            |
| 596         | BACW10BN6SC |                     | .WASHER      | E, F, H<br>, Q, R,<br>, T, U, W<br>, X, AA<br>, AC<br>AD, AG<br>, AH, A<br>L, AM,<br>AS-AV<br>, AX<br>AZ, BC<br>, BD, B<br>G, BH,<br>BL, BM<br>, BQ<br>BR, BU<br>, BV, B<br>Y, BZ,<br>CH-CK<br>DA-DC<br>, DU, D<br>V | 3            |
| 598         | AN960KD616L |                     | DELETED      |  |              |

# 71-11-56

 ILLUSTRATED PARTS LIST  
 01.1 Page 1068F  
 Nov 01/04

**BOEING**  
COMPONENT  
MAINTENANCE MANUAL

| FIG. & ITEM | PART NO.                    | AIRLINE PART NUMBER | NOMENCLATURE       | EFF CODE   | QTY PER ASSY |
|-------------|-----------------------------|---------------------|--------------------|--|--------------|
| 07-598A     | NAS1149D0616K               |                     | .WASHER            | E, F, H<br>, Q, R,<br>T, U, W<br>, X, AA<br>, AC<br>AD, AG<br>, AH, A<br>L, AM,<br>AS-AV<br>, AX<br>AZ, BC<br>, BD, B<br>G, BH,<br>BL, BM<br>, BQ<br>BR, BU<br>, BV, B<br>Y, BZ,<br>CH-CK<br>DA-DC<br>, DU, D<br>V | AR           |
| 600<br>600A | AN960-616L<br>NAS1149D0632P |                     | DELETED<br>.WASHER | E, F, H<br>, Q, R,<br>T, U, W<br>, X, AA<br>, AC<br>AD, AG<br>, AH, A<br>L, AM,<br>AS-AV<br>, AX<br>AZ, BC<br>, BD, B<br>G, BH,<br>BL, BM<br>, BQ<br>BR, BU<br>, BV, B<br>Y, BZ,<br>CH-CK<br>DA-DC<br>, DU, D<br>V | AR           |

71-11-56

ILLUSTRATED PARTS LIST  
01.1 Page 1068G  
Nov 01/04

| FIG. & ITEM        | PART NO.                   | AIRLINE PART NUMBER | NOMENCLATURE                       | EFF CODE   | QTY PER ASSY |
|--------------------|----------------------------|---------------------|------------------------------------|--|--------------|
| 07-<br>602<br>602A | AN960-616<br>NAS1149D0663P |                     | 1234567<br><br>DELETED<br>. WASHER | E, F, H<br>, Q, R,<br>T, U, W<br>, X, AA<br>, AC<br>AD, AG<br>, AH, A<br>L, AM,<br>AS-AV<br>, AX<br>AZ, BC<br>, BD, B<br>G, BH,<br>BL, BM<br>, BQ<br>BR, BU<br>, BV, B<br>Y, BZ,<br>CH-CK<br>DA-DC<br>, DU, D<br>V | AR           |

# 71-11-56

 ILLUSTRATED PARTS LIST  
 01.1 Page 1068H  
 Nov 01/04

**BOEING**  
COMPONENT  
MAINTENANCE MANUAL

| FIG. & ITEM        | PART NO.                    | AIRLINE PART NUMBER | NOMENCLATURE  | EFF CODE   | QTY PER ASSY |
|--------------------|-----------------------------|---------------------|---|--|--------------|
| 07-<br>604<br>604A | AN960-516L<br>NAS1149D0532P |                     | 1234567<br><br>DELETED<br>.WASHER   | E, F, H<br>, Q, R,<br>T, U, W<br>, X, AA<br>, AC<br>AD, AG<br>, AH, A<br>L, AM,<br>AS-AV<br>, AX<br>AZ, BC<br>, BD, B<br>G, BH,<br>BL, BM<br>, BQ<br>BR, BU<br>, BV, B<br>Y, BZ,<br>CH-CK<br>DA-DC<br>, DU, D<br>V | AR           |
| 606                | BRH10C5M                    |                     | .NUT-<br>(V52828)<br>(SPEC BACN10JC5CM)<br>(OPT T6C524JM<br>(V11815))<br>(OPT 97E054<br>(V80539))<br>(OPT 109LH9075-5W<br>(V72962))<br>(OPT H01-5BAC<br>(V15653)) | E, F, H<br>, Q, R,<br>T, U, W<br>, X, AA<br>, AC<br>AD, AG<br>, AH, A<br>L, AM,<br>AS-AV<br>, AX<br>AZ, BC<br>, BD, B<br>G, BH,<br>BL, BM<br>, BQ<br>BR, BU<br>, BV, B<br>Y, BZ,<br>CH-CK<br>DA-DC<br>, DU, D<br>V | 3            |

71-11-56

ILLUSTRATED PARTS LIST  
01.1 Page 1068I  
Nov 01/04

| FIG. & ITEM                        | PART NO.  | AIRLINE PART NUMBER | NOMENCLATURE   | EFF CODE  | QTY PER ASSY |
|------------------------------------|---|---------------------|--|---|--------------|
| 07-<br>608<br>608A<br>608B<br>608C | S315N304-3<br>9479-13<br>H3223-1<br>TL10183-101 |                     | 1234567<br><br>DELETED<br>DELETED<br>DELETED<br>.LATCH-<br>(V29372)<br>(SPEC S315N304-3)<br>(OPT 9479-13<br>(V84256))<br>(OPT 9479-23<br>(V84256))<br>(OPT 9479-33<br>(V84256))<br>(OPT H3223-1<br>(V83014)) | E, F, H<br>, Q, R,<br>T, U, W<br>, X, AA<br>, AC<br>AD, AG<br>, AH, A<br>L, AM,<br>AS-AV<br>, AX<br>AZ, BC<br>, BD, B<br>G, BH,<br>BL, BM<br>, BQ<br>BR, BU<br>, BV, B<br>Y, BZ,<br>CH-CK<br>DA-DC<br>, DU, D<br>V<br>A-D,<br>J-N, V<br>, Y, Z,<br>AE, AF<br>, AJ, A<br>K<br>AN-AR<br>, AW, A<br>Y, BA,<br>BB, BE<br>, BF<br>BJ, BK<br>, BN, B<br>P, BS,<br>BT, BW<br>, BX<br>CA-CC<br>, CT-C<br>V, DS,<br>DT | 3            |
| 610                                | 315T1448-9                                      |                     | .BOLT-HOOK   |   | 3            |

# 71-11-56

 ILLUSTRATED PARTS LIST  
 01.1 Page 1068J  
 Nov 01/04

 **BOEING**  
COMPONENT  
MAINTENANCE MANUAL

| FIG. & ITEM | PART NO.                     | AIRLINE PART NUMBER | NOMENCLATURE       | EFF CODE   | QTY PER ASSY |
|-------------|------------------------------|---------------------|--------------------|--|--------------|
| 07-612      | BACW10BN7SC                  |                     | .WASHER            | A-D,<br>J-N,V<br>,Y,Z,<br>AE,AF<br>,AJ,A<br>K<br>AN-AR<br>,AW,A<br>Y,BA,<br>BB,BE<br>,BF<br>BJ,BK<br>,BN,B<br>P,BS,<br>BT,BW<br>,BX<br>CA-CC<br>,CT-C<br>V,DS,<br>DT | 3            |
| 614<br>614A | AN96OKD716L<br>NAS1149D0716K |                     | DELETED<br>.WASHER | A-D,<br>J-N,V<br>,Y,Z,<br>AE,AF<br>,AJ,A<br>K<br>AN-AR<br>,AW,A<br>Y,BA,<br>BB,BE<br>,BF<br>BJ,BK<br>,BN,B<br>P,BS,<br>BT,BW<br>,BX<br>CA-CC<br>,CT-C<br>V,DS,<br>DT | AR           |

71-11-56

ILLUSTRATED PARTS LIST  
01.1 Page 1068K  
Nov 01/04

| FIG. & ITEM        | PART NO.                    | AIRLINE PART NUMBER | NOMENCLATURE       | EFF CODE   | QTY PER ASSY |
|--------------------|-----------------------------|---------------------|--------------------|--|--------------|
| 07-<br>616<br>616A | AN960-716L<br>NAS1149E0732P |                     | DELETED<br>.WASHER | A-D,<br>J-N,V<br>,Y,Z,<br>AE,AF<br>,AJ,A<br>K<br>AN-AR<br>,AW,A<br>Y,BA,<br>BB,BE<br>,BF<br>BJ,BK<br>,BN,B<br>P,BS,<br>BT,BW<br>,BX<br>CA-CC<br>,CT-C<br>V,DS,<br>DT | AR           |
| 618<br>618A        | AN960-716<br>NAS1149F0763P  |                     | DELETED<br>.WASHER | A-D,<br>J-N,V<br>,Y,Z,<br>AE,AF<br>,AJ,A<br>K<br>AN-AR<br>,AW,A<br>Y,BA,<br>BB,BE<br>,BF<br>BJ,BK<br>,BN,B<br>P,BS,<br>BT,BW<br>,BX<br>CA-CC<br>,CT-C<br>V,DS,<br>DT | AR           |

# 71-11-56

 ILLUSTRATED PARTS LIST  
 01.1 Page 1068L  
 Nov 01/04

**BOEING**  
COMPONENT  
MAINTENANCE MANUAL

| FIG. & ITEM        | PART NO.                    | AIRLINE PART NUMBER | NOMENCLATURE   | EFF CODE   | QTY PER ASSY |
|--------------------|-----------------------------|---------------------|--|--|--------------|
| 07-<br>620<br>620A | AN960-616L<br>NAS1149F0632P |                     | DELETED<br>.WASHER   | A-D,<br>J-N,V<br>,Y,Z,<br>AE,AF<br>,AJ,A<br>K<br>AN-AR<br>,AW,A<br>Y,BA,<br>BB,BE<br>,BF<br>BJ,BK<br>,BN,B<br>P,BS,<br>BT,BW<br>,BX<br>CA-CC<br>,CT-C<br>V,DS,<br>DT | AR           |
| 622                | BRH10C6M                    |                     | .NUT-<br>(V52828)<br>(SPEC BACN10JC6CM)<br>(OPT 97E064<br>(V80539))<br>(OPT 102LH9075-6<br>(V72962))<br>(OPT H01-6BAC<br>(V15653)) | A-D,<br>J-N,V<br>,Y,Z,<br>AE,AF<br>,AJ,A<br>K<br>AN-AR<br>,AW,A<br>Y,BA,<br>BB,BE<br>,BF<br>BJ,BK<br>,BN,B<br>P,BS,<br>BT,BW<br>,BX<br>CA-CC<br>,CT-C<br>V,DS,<br>DT | 3            |

71-11-56

ILLUSTRATED PARTS LIST  
01.1 Page 1068M  
Nov 01/04



| FIG. & ITEM | PART NO.                    | AIRLINE PART NUMBER | NOMENCLATURE<br>1234567 | EFF CODE  | QTY PER ASSY |
|-------------|-----------------------------|---------------------|-------------------------|---|--------------|
| 07-624      | BACB30LM3H15                |                     | .BOLT                   | A-F,<br>H-N,Q<br>,R,<br>T-AA,<br>AC-CC<br>CH-CK<br>,CT-C<br>V,D<br>A-DC,<br>DS-DV | 1            |
| 626<br>626A | AN960KD10M<br>NAS1149D0332K |                     | DELETED<br>.WASHER      | A-F,<br>H-N,Q<br>,R,<br>T-AA,<br>AC-CC<br>CH-CK<br>,CT-C<br>V,D<br>A-DC,<br>DS-DV | 1            |
| 628         | 315T3257-1                  |                     | .RETAINER               | A-F,<br>H-N,Q<br>,R,<br>T-AA,<br>AC-CC<br>CH-CK<br>,CT-C<br>V,D<br>A-DC,<br>DS-DV | 1            |
| 630         | 315T3257-2                  |                     | .PIN                    | A-F,<br>H-N,Q<br>,R,<br>T-AA,<br>AC-CC<br>CH-CK<br>,CT-C<br>V,D<br>A-DC,<br>DS-DV | 1            |

# 71-11-56

 ILLUSTRATED PARTS LIST  
 01.1 Page 1068N  
 Nov 01/04

 **BOEING**  
COMPONENT  
MAINTENANCE MANUAL

| FIG. & ITEM        | PART NO.                 | AIRLINE PART NUMBER | NOMENCLATURE<br>1234567  | EFF CODE  | QTY PER ASSY |
|--------------------|--------------------------|---------------------|--|---|--------------|
| 07-<br>632<br>632A | HL19PB6-8<br>BACB30VF3K6 |                     | DELETED<br>.BOLT   | A-F,<br>H-N,Q<br>,R,<br>T-AA,<br>AC-CC<br>CH-CK<br>,CT-C<br>V,D<br>A-DC,<br>DS-DV | 1            |
| 634<br>636         | AN960KD10M<br>H10-3BAC   |                     | DELETED<br>.NUT-<br>(V15653)<br>(SPEC BACN10JC3)<br>(OPT NS202101-02<br>(V80539))<br>(OPT RMLH9075-3W<br>(V72962))<br>(OPT T6S1032J<br>(V71087))<br>(OPT VN303A02<br>(V92215))<br>(OPT 96-02<br>(V80539))<br>(OPT BRH10A3<br>(V52828)) | A-F,<br>H-N,Q<br>,R,<br>T-AA,<br>AC-CC<br>CH-CK<br>,CT-C<br>V,D<br>A-DC,<br>DS-DV | 1            |

71-11-56

ILLUSTRATED PARTS LIST  
01.1 Page 10680  
Nov 01/04

| FIG. & ITEM | PART NO.    | AIRLINE PART NUMBER | NOMENCLATURE                    | EFF CODE   | QTY PER ASSY |
|-------------|-------------|---------------------|---------------------------------|--|--------------|
| 07-638      | 315T3415-13 |                     | .LINER-TRACK                    | A  | 1            |
| -638A       | 315T3415-21 |                     | .LINER-TRACK<br>(OPT ITEM 638B) | B-D,<br>J-N,V<br>,Y,Z,<br>AE,AF<br>,AJ,A<br>K<br>AN-AR<br>,AW,A<br>Y,BA,<br>BB,BE<br>,BF<br>BJ,BK<br>,BN,B<br>P,BS,<br>BT,BW<br>,BX<br>CA-CC<br>,CT-C<br>V,DS,<br>DT | 1            |
| -638B       | 315T3415-29 |                     | .LINER-TRACK<br>(OPT ITEM 638A) | B-D,<br>J-N,V<br>,Y,Z,<br>AE,AF<br>,AJ,A<br>K<br>AN-AR<br>,AW,A<br>Y,BA,<br>BB,BE<br>,BF<br>BJ,BK<br>,BN,B<br>P,BS,<br>BT,BW<br>,BX<br>CA-CC<br>,CT-C<br>V,DS,<br>DT | 1            |

# 71-11-56

 ILLUSTRATED PARTS LIST  
 01.1 Page 1068P  
 Nov 01/04

**BOEING**  
COMPONENT  
MAINTENANCE MANUAL

| FIG. & ITEM | PART NO.    | AIRLINE PART NUMBER | NOMENCLATURE                    | EFF CODE   | QTY PER ASSY |
|-------------|-------------|---------------------|---------------------------------|--|--------------|
|             |             |                     | 1234567                         |  |              |
| 07-         |             |                     |                                 |  |              |
| -640        | 315T3415-12 |                     | .LINER-TRACK                    | E  | 1            |
| -640A       | 315T3415-20 |                     | .LINER-TRACK<br>(OPT ITEM 640B) | F,H,Q<br>,R,T,<br>U,W,X<br>,AA,A<br>C,AD<br>AG,AH<br>,AL,A<br>M,A<br>S-AV,<br>AX,AZ<br>BC,BD<br>,BG,B<br>H,BL,<br>BM,BQ<br>,BR<br>BU,BV<br>,BY,B<br>Z,C<br>H-CK,<br>DA-DC<br>DU,DV | 1            |
| -640B       | 315T3415-30 |                     | .LINER-TRACK<br>(OPT ITEM 640A) | F,H,Q<br>,R,T,<br>U,W,X<br>,AA,A<br>C,AD<br>AG,AH<br>,AL,A<br>M,A<br>S-AV,<br>AX,AZ<br>BC,BD<br>,BG,B<br>H,BL,<br>BM,BQ<br>,BR<br>BU,BV<br>,BY,B<br>Z,C<br>H-CK,<br>DA-DC<br>DU,DV | 1            |

**71-11-56**

ILLUSTRATED PARTS LIST  
01.1 Page 1068Q  
Nov 01/04

| FIG. & ITEM | PART NO.     | AIRLINE PART NUMBER | NOMENCLATURE<br>1234567 | EFF CODE  | QTY PER ASSY |
|-------------|--------------|---------------------|-------------------------|---|--------------|
| 07-642      | 315T3666-7   |                     | .SHIELD-FIRE (LIMITED)  | B-D,<br>J-N,V<br>,Y,Z,<br>AE,AF<br>,AJ,A<br>K<br>AN-AR<br>,AW,A<br>Y,BA,<br>BB,BE<br>,BF<br>BJ,BK<br>,BN,B<br>P,BS,<br>BT,BW<br>,BX | 1            |
| -642A       | 315T3666-8   |                     | .SHIELD-FIRE (LIMITED)  | B-D,<br>J-N,V<br>,Y,Z,<br>AE,AF<br>,AJ,A<br>K<br>AN-AR<br>,AW,A<br>Y,BA,<br>BB,BE<br>,BF<br>BJ,BK<br>,BN,B<br>P,BS,<br>BT,BW<br>,BX | 1            |
| -642B       | 315T3666-7   |                     | .SHIELD-FIRE            | A   | 1            |
| -642C       | 315T3666-8   |                     | .SHIELD-FIRE            | CA-CC<br>,CT-C<br>V,DS,<br>DT   | 1            |
| 644         | HL10VAZ6-8   |                     | DELETED                 |   |              |
| 644A        | MS21141U607P |                     | DELETED                 |   |              |

# 71-11-56

 ILLUSTRATED PARTS LIST  
 01.1 Page 1068R  
 Nov 01/04

**BOEING**  
COMPONENT  
MAINTENANCE MANUAL

| FIG. & ITEM | PART NO.      | AIRLINE PART NUMBER | NOMENCLATURE                  | EFF CODE   | QTY PER ASSY |
|-------------|---------------|---------------------|-------------------------------|--|--------------|
| 07-644B     | BACB30NM3K8   |                     | .BOLT-<br>(OPT ITEM 645)      | A-D,<br>J-N,V<br>,Y,Z,<br>AE,AF<br>,AJ,A<br>K<br>AN-AR<br>,AW,A<br>Y,BA,<br>BB,BE<br>,BF<br>BJ,BK<br>,BN,B<br>P,BS,<br>BT,BW<br>,BX<br>CA-CC<br>,CT-C<br>V,DS,<br>DT | 2            |
| -645        | MS21141-0608P |                     | .FASTENER-<br>(OPT ITEM 644B) | A-D,<br>J-N,V<br>,Y,Z,<br>AE,AF<br>,AJ,A<br>K<br>AN-AR<br>,AW,A<br>Y,BA,<br>BB,BE<br>,BF<br>BJ,BK<br>,BN,B<br>P,BS,<br>BT,BW<br>,BX<br>CA-CC<br>,CT-C<br>V,DS,<br>DT | 2            |

71-11-56

ILLUSTRATED PARTS LIST  
01.1 Page 1068S  
Nov 01/04

| FIG. & ITEM        | PART NO.                   | AIRLINE PART NUMBER | NOMENCLATURE<br>1234567   | EFF CODE   | QTY PER ASSY |
|--------------------|----------------------------|---------------------|---|--|--------------|
| 07-<br>646<br>646A | AN960JD10<br>NAS1149D0363J |                     | DELETED<br>.WASHER  | A-D,<br>J-N,V<br>,Y,Z,<br>AE,AF<br>,AJ,A<br>K<br>AN-AR<br>,AW,A<br>Y,BA,<br>BB,BE<br>,BF<br>BJ,BK<br>,BN,B<br>P,BS,<br>BT,BW<br>,BX<br>CA-CC<br>,CT-C<br>V,DS,<br>DT | 2            |
| 648                | BRH10C3M                   |                     | .NUT-<br>(V52828)<br>(SPEC BACN10JC3CM)<br>(OPT T6C1032JM<br>(V11815))<br>(OPT 97E02<br>(V80539))<br>(OPT 109LH9075-3W<br>(V72962))<br>(OPT VN303D02<br>(V92215))<br>(OPT NS202101SE02<br>(V80539))<br>(OPT H01-3BAC<br>(V15653)) | A-D,<br>J-N,V<br>,Y,Z,<br>AE,AF<br>,AJ,A<br>K<br>AN-AR<br>,AW,A<br>Y,BA,<br>BB,BE<br>,BF<br>BJ,BK<br>,BN,B<br>P,BS,<br>BT,BW<br>,BX<br>CA-CC<br>,CT-C<br>V,DS,<br>DT | 2            |

# 71-11-56

 ILLUSTRATED PARTS LIST  
 01.1 Page 1068T  
 Nov 01/04

 **BOEING**  
COMPONENT  
MAINTENANCE MANUAL

| FIG. & ITEM | PART NO.                  | AIRLINE PART NUMBER | NOMENCLATURE<br>1234567             | EFF CODE   | QTY PER ASSY |
|-------------|---------------------------|---------------------|-------------------------------------|--|--------------|
| 07-650      | BACS4OR08C16F             |                     | .SHIM                               | A-D,<br>J-N,V<br>,Y,Z,<br>AE,AF<br>,AJ,A<br>K<br>AN-AR<br>,AW,A<br>Y,BA,<br>BB,BE<br>,BF<br>BJ,BK<br>,BN,B<br>P,BS,<br>BT,BW<br>,BX<br>CA-CC<br>,CT-C<br>V,DS,<br>DT                     | 1            |
| 652<br>652A | HL10VAZ6-5<br>BACB30NM3K5 |                     | DELETED<br>.BOLT-<br>(OPT ITEM 653) | E,F,H<br>,Q,R,<br>T,U,W<br>,X,AA<br>,AC<br>AD,AG<br>,AH,A<br>L,AM,<br>AS-AV<br>,AX<br>AZ,BC<br>,BD,B<br>G,BH,<br>BL,BM<br>,BQ<br>BR,BU<br>,BV,B<br>Y,BZ,<br>CH-CK<br>DA-DC<br>,DU,D<br>V | 2            |

71-11-56

ILLUSTRATED PARTS LIST  
01.1 Page 1068U  
Nov 01/04



| FIG. & ITEM | PART NO.      | AIRLINE PART NUMBER | NOMENCLATURE                                 | EFF CODE   | QTY PER ASSY |
|-------------|---------------|---------------------|--|--|--------------|
| 07-<br>-653 | MS21141U0605P |                     | 1234567<br><br>.FASTENER-<br>(OPT ITEM 652A) | E, F, H<br>, Q, R,<br>T, U, W<br>, X, AA<br>, AC<br>AD, AG<br>, AH, A<br>L, AM,<br>AS-AV<br>, AX<br>AZ, BC<br>, BD, B<br>G, BH,<br>BL, BM<br>, BQ<br>BR, BU<br>, BV, B<br>Y, BZ,<br>CH-CK<br>DA-DC<br>, DU, D<br>V | 2            |

**71-11-56**

ILLUSTRATED PARTS LIST  
 01.1 Page 1068V  
 Nov 01/04

| FIG. & ITEM                | PART NO.                                 | AIRLINE PART NUMBER | NOMENCLATURE  | EFF CODE   | QTY PER ASSY |
|----------------------------|--|---------------------|---|--|--------------|
| 07-<br>654<br>654A<br>654B | HL10VAZ6-7<br>BACB30NM6K7<br>BACB30NM3K7 |                     | 1234567<br><br>DELETED<br>DELETED<br>.BOLT-<br>(OPT ITEM 655) | E, F, H<br>, Q, R,<br>T, U, W<br>, X, AA<br>, AC<br>AD, AG<br>, AH, A<br>L, AM,<br>AS-AV<br>, AX<br>AZ, BC<br>, BD, B<br>G, BH,<br>BL, BM<br>, BQ<br>BR, BU<br>, BV, B<br>Y, BZ,<br>CH-CK<br>DA-DC<br>, DU, D<br>V | 2            |

71-11-56

| FIG. & ITEM | PART NO.                   | AIRLINE PART NUMBER | NOMENCLATURE                  | EFF CODE   | QTY PER ASSY |
|-------------|----------------------------|---------------------|-------------------------------|--|--------------|
| 07-<br>-655 | MS21141U0607P              |                     | .FASTENER-<br>(OPT ITEM 654B) | E, F, H<br>, Q, R,<br>, T, U, W<br>, X, AA<br>, AC<br>, AD, AG<br>, AH, A<br>, L, AM,<br>, AS-AV<br>, AX<br>, AZ, BC<br>, BD, B<br>, G, BH,<br>, BL, BM<br>, BQ<br>, BR, BU<br>, BV, B<br>, Y, BZ,<br>, CH-CK<br>, DA-DC<br>, DU, D<br>, V | 2            |
| 656<br>656A | AN960JD10<br>NAS1149D0363J |                     | DELETED<br>.WASHER            | E, F, H<br>, Q, R,<br>, T, U, W<br>, X, AA<br>, AC<br>, AD, AG<br>, AH, A<br>, L, AM,<br>, AS-AV<br>, AX<br>, AZ, BC<br>, BD, B<br>, G, BH,<br>, BL, BM<br>, BQ<br>, BR, BU<br>, BV, B<br>, Y, BZ,<br>, DU, DV                             | 4            |

# 71-11-56

 ILLUSTRATED PARTS LIST  
 01.1 Page 1068X  
 Nov 01/04

**BOEING**  
COMPONENT  
MAINTENANCE MANUAL

| FIG. & ITEM | PART NO.    | AIRLINE PART NUMBER | NOMENCLATURE   | EFF CODE   | QTY PER ASSY |
|-------------|-------------|---------------------|--|--|--------------|
| 07-658      | BRH10C3M    |                     | 1234567<br>.NUT-<br>(V52828)<br>(SPEC BACN10JC3CM)<br>(OPT T6C1032JM<br>(V11815))<br>(OPT 97E02<br>(V80539))<br>(OPT 109LH9075-3W<br>(V72962))<br>(OPT VN303D02<br>(V92215))<br>(OPT NS202101SE02<br>(V80539))<br>(OPT H01-3BAC<br>(V15653)) | E, F, H<br>, Q, R,<br>T, U, W<br>, X, AA<br>, AC<br>AD, AG<br>, AH, A<br>L, AM,<br>AS-AV<br>, AX<br>AZ, BC<br>, BD, B<br>G, BH,<br>BL, BM<br>, BQ<br>BR, BU<br>, BV, B<br>Y, BZ,<br>DU, DV<br>F, H, Q<br>, R, T,<br>U, W, X<br>, AA, A<br>C, AD<br>AG, AH<br>, AL, A<br>M, A<br>S-AV,<br>AX, AZ<br>BC, BD<br>, BG, B<br>H, BL,<br>BM, BQ<br>, BR<br>BU, BV<br>, BY, B<br>Z | 4            |
| 660         | 315T3416-32 |                     | .DOOR ASSY-EXH<br>(LIMITED)  |  | 1            |

71-11-56

ILLUSTRATED PARTS LIST  
01.1 Page 1068Y  
Nov 01/04

| FIG. & ITEM  | PART NO.    | AIRLINE PART NUMBER | NOMENCLATURE<br>1234567                                 | EFF CODE  | QTY PER ASSY |
|--------------|-------------|---------------------|---|---|--------------|
| 07-<br>-660A | 315T3416-36 |                     | .DOOR ASSY-EXH<br>(LIMITED)<br>(FOR DETAILS SEE FIG 14) | F,H,Q<br>,R,T,<br>U,W,X<br>,AA,A<br>C,AD<br>AG,AH<br>,AL,A<br>M,A<br>S-AV,<br>AX,AZ<br>BC,BD<br>,BG,B<br>H,BL,<br>BM,BQ<br>,BR<br>BU,BV<br>,BY,B<br>Z | 1            |
| -660B        | 315T3416-38 |                     | .DOOR ASSY-EXH<br>(LIMITED)                             | F,H,Q<br>,R,T,<br>U,W,X<br>,AA,A<br>C,AD<br>AG,AH<br>,AL,A<br>M,A<br>S-AV,<br>AX,AZ<br>BC,BD<br>,BG,B<br>H,BL,<br>BM,BQ<br>,BR<br>BU,BV<br>,BY,B<br>Z | 1            |
| -660C        | 315T3416-32 |                     | .DOOR ASSY-EXH  | E   | 1            |

# 71-11-56

 ILLUSTRATED PARTS LIST  
 01.1 Page 1068Z  
 Nov 01/04

 **BOEING**  
COMPONENT  
MAINTENANCE MANUAL

| FIG. & ITEM  | PART NO.    | AIRLINE PART NUMBER | NOMENCLATURE<br>1234567  | EFF CODE  | QTY PER ASSY |
|--------------|-------------|---------------------|--|---|--------------|
| 07-<br>-660D | 315T3416-42 |                     | .DOOR ASSY-EXH<br>(LIMITED)  | F,H,Q<br>,R,T,<br>U,W,X<br>,AA,A<br>C,AD<br>AG,AH<br>,AL,A<br>M,A<br>S-AV,<br>AX,AZ<br>BC,BD<br>,BG,B<br>H,BL,<br>BM,BQ<br>,BR<br>BU,BV<br>,BY,B<br>Z | 1            |
| -660E        | 315T3416-42 |                     | .DOOR ASSY-EXH   | CH-CK<br>,DA-<br>DC   | 1            |
| -660F        | 315T3416-42 |                     | .DOOR ASSY-EXH<br>(NHA 315T4295, REF<br>COLLECTOR CMM 78-31-47)<br>(NHA 315U4295, REF<br>COLLECTOR CMM 78-31-48) | DU,DV   | 1            |

**71-11-56**

ILLUSTRATED PARTS LIST  
01.1 Page 1069  
Nov 01/04

| FIG. & ITEM | PART NO.      | AIRLINE PART NUMBER | NOMENCLATURE           | EFF CODE   | QTY PER ASSY |
|-------------|---------------|---------------------|------------------------|--|--------------|
| 07-662      | MS20253P4-270 |                     | 1234567<br>..PIN-HINGE | E, F, H<br>, Q, R,<br>T, U, W<br>, X, AA<br>, AC<br>AD, AG<br>, AH, A<br>L, AM,<br>AS-AV<br>, AX<br>AZ, BC<br>, BD, B<br>G, BH,<br>BL, BM<br>, BQ<br>BR, BU<br>, BV, B<br>Y, BZ,<br>CH-CK<br>DA-DC<br>, DU, D<br>V | 2            |
| 664         | MS16562-3     |                     | ..PIN-SPR              | E, F, H<br>, Q, R,<br>T, U, W<br>, X, AA<br>, AC<br>AD, AG<br>, AH, A<br>L, AM,<br>AS-AV<br>, AX<br>AZ, BC<br>, BD, B<br>G, BH,<br>BL, BM<br>, BQ<br>BR, BU<br>, BV, B<br>Y, BZ,<br>CH-CK<br>DA-DC<br>, DU, D<br>V | 4            |

# 71-11-56

 ILLUSTRATED PARTS LIST  
 01.1 Page 1070  
 Nov 01/04

 **BOEING**  
COMPONENT  
MAINTENANCE MANUAL

| FIG. & ITEM | PART NO.   | AIRLINE PART NUMBER | NOMENCLATURE         | EFF CODE   | QTY PER ASSY |
|-------------|------------|---------------------|----------------------|--|--------------|
| 07-668      | 315T3569-3 |                     | 1234567<br>..FITTING | E, F, H<br>, Q, R,<br>T, U, W<br>, X, AA<br>, AC<br>AD, AG<br>, AH, A<br>L, AM,<br>AS-AV<br>, AX<br>AZ, BC<br>, BD, B<br>G, BH,<br>BL, BM<br>, BQ<br>BR, BU<br>, BV, B<br>Y, BZ,<br>CH-CK<br>DA-DC<br>, DU, D<br>V | 1            |
| 670         | 315T3569-4 |                     | ..FITTING            | E, F, H<br>, Q, R,<br>T, U, W<br>, X, AA<br>, AC<br>AD, AG<br>, AH, A<br>L, AM,<br>AS-AV<br>, AX<br>AZ, BC<br>, BD, B<br>G, BH,<br>BL, BM<br>, BQ<br>BR, BU<br>, BV, B<br>Y, BZ,<br>CH-CK<br>DA-DC<br>, DU, D<br>V | 1            |

**71-11-56**

ILLUSTRATED PARTS LIST  
01.1 Page 1070A  
Nov 01/04



| FIG. & ITEM | PART NO.   | AIRLINE PART NUMBER | NOMENCLATURE<br>1234567  | EFF CODE  | QTY PER ASSY |
|-------------|------------|---------------------|--|---|--------------|
| 07-672      | HL13VAZ6-7 |                     | ..BOLT-<br>(V56878)<br>(SPEC BACB30NY6K7)<br>(OPT HL13VAZ6-7<br>(V73197))<br>(OPT HL13VAZ6-7<br>(V92215))<br>(OPT HL13VAZ6-7<br>(V97928))<br>(OPT L801-6K7<br>(V06725))<br>(OPT HL13VAZ6-7<br>(V08524))<br>(OPT HL13V7<br>(V06725))<br>(OPT L801-6K7<br>(VOPTK6))<br>(LIMITED) | F,H,Q<br>,R,T,<br>U,W,X<br>,AA,A<br>C,AD<br>AG,AH<br>,AL,A<br>M,A<br>S-AV,<br>AX,AZ<br>BC,BD<br>,BG,B<br>H,BL,<br>BM,BQ<br>,BR<br>BU,BV<br>,BY,B<br>Z | 6            |
| -672A       | HST10AG3-5 |                     | ..BOLT-<br>(V73197)<br>(SPEC BACB30VT3K5)<br>(OPT HST10AG3-5<br>(V56878))<br>(OPT HST10AG3-5<br>(V06725))<br>(OPT HST10AG3-5<br>(VOPTK6))<br>(LIMITED)   | F,H,Q<br>,R,T,<br>U,W,X<br>,AA,A<br>C,AD<br>AG,AH<br>,AL,A<br>M,A<br>S-AV,<br>AX,AZ<br>BC,BD<br>,BG,B<br>H,BL,<br>BM,BQ<br>,BR<br>BU,BV<br>,BY,B<br>Z | 6            |
| -672B       | HST10AG3-5 |                     | ..BOLT-<br>(V73197)<br>(SPEC BACB30VT3K5)<br>(OPT HST10AG3-5<br>(V56878))<br>(OPT HST10AG3-5<br>(V06725))<br>(OPT HST10AG3-5<br>(VOPTK6))  | E,C<br>H-CK,<br>DA-DC<br>,DU,D<br>V   | 6            |

# 71-11-56

 ILLUSTRATED PARTS LIST  
 01.1 Page 1070B  
 Nov 01/04

 **BOEING**  
COMPONENT  
MAINTENANCE MANUAL

| FIG. & ITEM | PART NO.  | AIRLINE PART NUMBER | NOMENCLATURE<br>1234567  | EFF CODE  | QTY PER ASSY |
|-------------|-----------|---------------------|--|---|--------------|
| 07-674      | AN960-10  |                     | ..WASHER-<br>(LIMITED)   | F,H,Q<br>,R,T,<br>U,W,X<br>,AA,A<br>C,AD<br>AG,AH<br>,AL,A<br>M,A<br>S-AV,<br>AX,AZ<br>BC,BD<br>,BG,B<br>H,BL,<br>BM,BQ<br>,BR<br>BU,BV<br>,BY,B<br>Z | 6            |
| 676         | HL1187DU6 |                     | ..COLLAR-<br>(V5M902)<br>(SPEC BACC30X6S)<br>(OPT HL87DU6<br>(V73197))<br>(OPT HL87DU6<br>(V92215))<br>(OPT HL1187DU6<br>(V56878))<br>(OPT HL1187DU6<br>(V92215))<br>(OPT HL87DU6<br>(V56878))<br>(OPT HL1187DU6<br>(V73197))<br>(LIMITED) | F,H,Q<br>,R,T,<br>U,W,X<br>,AA,A<br>C,AD<br>AG,AH<br>,AL,A<br>M,A<br>S-AV,<br>AX,AZ<br>BC,BD<br>,BG,B<br>H,BL,<br>BM,BQ<br>,BR<br>BU,BV<br>,BY,B<br>Z | 6            |

**71-11-56**

ILLUSTRATED PARTS LIST  
01.1 Page 1070C  
Nov 01/04

| FIG. & ITEM  | PART NO.       | AIRLINE PART NUMBER | NOMENCLATURE  | EFF CODE  | QTY PER ASSY |
|--------------|----------------|---------------------|---|---|--------------|
| 07-<br>-676A | NAS1804-3      |                     | ..NUT-<br>(LIMITED)   | F,H,Q<br>,R,T,<br>U,W,X<br>,AA,A<br>C,AD<br>AG,AH<br>,AL,A<br>M,A<br>S-AV,<br>AX,AZ<br>BC,BD<br>,BG,B<br>H,BL,<br>BM,BQ<br>,BR<br>BU,BV<br>,BY,B<br>Z   | 6            |
| -676B        | NAS1804-3      |                     | ..NUT   | E,C<br>H-CK,<br>DA-DC<br>,DU,D<br>V   | 6            |
| 678          | MS20257XC5-300 |                     | ..HINGE-HALF<br>(OPT ITEM 678A)<br>(USED ON ITEMS 660,<br>660C) | E,F,H<br>,Q,R,<br>T,U,W<br>,X,AA<br>,AC<br>AD,AG<br>,AH,A<br>L,AM,<br>AS-AV<br>,AX<br>AZ,BC<br>,BD,B<br>G,BH,<br>BL,BM<br>,BQ<br>BR,BU<br>,BV,B<br>Y,BZ | 1            |

# 71-11-56

 ILLUSTRATED PARTS LIST  
 01.1 Page 1070D  
 Nov 01/04

**BOEING**  
COMPONENT  
MAINTENANCE MANUAL

| FIG. & ITEM  | PART NO.    | AIRLINE PART NUMBER | NOMENCLATURE  | EFF CODE   | QTY PER ASSY |
|--------------|-------------|---------------------|---|--|--------------|
| 07-<br>-678A | 315T3416-11 |                     | 1234567<br>..HINGE-HALF<br>(OPT ITEM 678)<br>(USED ON ITEMS 660,<br>660C) | E,F,H<br>,Q,R,<br>T,U,W<br>,X,AA<br>,AC<br>AD,AG<br>,AH,A<br>L,AM,<br>AS-AV<br>,AX<br>AZ,BC<br>,BD,B<br>G,BH,<br>BL,BM<br>,BQ<br>BR,BU<br>,BV,B<br>Y,BZ                            | 1            |
| -678B        | 315T3416-11 |                     | ..HINGE-HALF<br>(USED ON ITEMS 660B,<br>660D, 660E, 660F)                 | F,H,Q<br>,R,T,<br>U,W,X<br>,AA,A<br>C,AD<br>AG,AH<br>,AL,A<br>M,A<br>S-AV,<br>AX,AZ<br>BC,BD<br>,BG,B<br>H,BL,<br>BM,BQ<br>,BR<br>BU,BV<br>,BY,B<br>Z,C<br>H-CK,<br>DA-DC<br>DU,DV | 1            |

71-11-56

| FIG. & ITEM       | PART NO.                  | AIRLINE PART NUMBER | NOMENCLATURE                                    | EFF CODE  | QTY PER ASSY |
|-------------------|---------------------------|---------------------|---|---|--------------|
| 07-<br>680<br>682 | 315T3416-11<br>315T3416-6 |                     | 1234567<br><br>DELETED<br>..DOUBLER             |   | 2            |
| 684               | 315T3416-18               |                     | ..FILLER-<br>(USED ON ITEMS 660,<br>660B, 660C) | E, F, H<br>, Q, R,<br>, T, U, W<br>, X, AA<br>, AC<br>AD, AG<br>, AH, A<br>L, AM,<br>AS-AV<br>, AX<br>AZ, BC<br>, BD, B<br>G, BH,<br>BL, BM<br>, BQ<br>BR, BU<br>, BV, B<br>Y, BZ,<br>CH-CK<br>DA-DC<br>, DU, D<br>V<br>E, F, H<br>, Q, R,<br>, T, U, W<br>, X, AA<br>, AC<br>AD, AG<br>, AH, A<br>L, AM,<br>AS-AV<br>, AX<br>AZ, BC<br>, BD, B<br>G, BH,<br>BL, BM<br>, BQ<br>BR, BU<br>, BV, B<br>Y, BZ | 2            |

# 71-11-56

 ILLUSTRATED PARTS LIST  
 01.1 Page 1070F  
 Nov 01/04

**BOEING**  
COMPONENT  
MAINTENANCE MANUAL

| FIG. & ITEM  | PART NO.                        | AIRLINE PART NUMBER | NOMENCLATURE  | EFF CODE   | QTY PER ASSY |
|--------------|---------------------------------|---------------------|---|--|--------------|
| 07-<br>-684A | 315T3416-39                     |                     | 1234567<br><br>..FILLER-<br>(USED ON ITEMS 660D,<br>660E, 660F) | F,H,Q<br>,R,T,<br>U,W,X<br>,AA,A<br>C,AD<br>AG,AH<br>,AL,A<br>M,A<br>S-AV,<br>AX,AZ<br>BC,BD<br>,BG,B<br>H,BL,<br>BM,BQ<br>,BR<br>BU,BV<br>,BY,B<br>Z,C<br>H-CK,<br>DA-DC<br>DU,DV       | 2            |
| 686<br>686A  | BACS40R8C30F<br>BACS40R008D030F |                     | DELETED<br>..SHIM   | E,F,H<br>,Q,R,<br>T,U,W<br>,X,AA<br>,AC<br>AD,AG<br>,AH,A<br>L,AM,<br>AS-AV<br>,AX<br>AZ,BC<br>,BD,B<br>G,BH,<br>BL,BM<br>,BQ<br>BR,BU<br>,BV,B<br>Y,BZ,<br>CH-CK<br>DA-DC<br>,DU,D<br>V | AR           |

71-11-56

| FIG. & ITEM | PART NO.   | AIRLINE PART NUMBER | NOMENCLATURE<br>1234567  | EFF CODE   | QTY PER ASSY |
|-------------|------------|---------------------|--|--|--------------|
| 07-688      | HL13VAZ5-4 |                     | ..BOLT-<br>(V56878)<br>(SPEC BACB30NY5K4)<br>(OPT HL13VAZ5-4<br>(V73197))<br>(OPT HL13VAZ5-4<br>(V92215))<br>(OPT HL13VAZ5-4<br>(V97928))<br>(OPT L801-5K4<br>(V06725))<br>(OPT HL13VAZ5-4<br>(V08524))<br>(OPT HL13V4<br>(V06725))<br>(OPT HL13VAZ5-4<br>(V17446))  | E,F,H<br>,Q,R,<br>T,U,W<br>,X,AA<br>,AC<br>AD,AG<br>,AH,A<br>L,AM,<br>AS-AV<br>,AX<br>AZ,BC<br>,BD,B<br>G,BH,<br>BL,BM<br>,BQ<br>BR,BU<br>,BV,B<br>Y,BZ,<br>CH-CK<br>DA-DC<br>,DU,D<br>V | 8            |
| 690         | HL1187DU5  |                     | ..COLLAR-<br>(V5M902)<br>(SPEC BACC30X5S)<br>(OPT HL87DU5<br>(V73197))<br>(OPT HL87DU5<br>(V92215))<br>(OPT HL86DU5<br>(V73197))<br>(OPT HL86DU5<br>(V56878))<br>(OPT HL86DU5<br>(V92215))<br>(OPT HL1187DU5<br>(V56878))<br>(OPT HL1187DU5<br>(V92215))<br>(OPT HL87DU5<br>(V56878))<br>(OPT HL1187DU5<br>(V73197)) | E,F,H<br>,Q,R,<br>T,U,W<br>,X,AA<br>,AC<br>AD,AG<br>,AH,A<br>L,AM,<br>AS-AV<br>,AX<br>AZ,BC<br>,BD,B<br>G,BH,<br>BL,BM<br>,BQ<br>BR,BU<br>,BV,B<br>Y,BZ,<br>CH-CK<br>DA-DC<br>,DU,D<br>V | 8            |

# 71-11-56

 ILLUSTRATED PARTS LIST  
 01.1 Page 1070H  
 Nov 01/04

 **BOEING**  
COMPONENT  
MAINTENANCE MANUAL

| FIG. & ITEM | PART NO.      | AIRLINE PART NUMBER | NOMENCLATURE  | EFF CODE   | QTY PER ASSY |
|-------------|---------------|---------------------|---|--|--------------|
| 07-692      | H5100-125-330 |                     | 1234567<br>..LATCH-<br>(V83014)<br>(SPEC BACL10E125-330)<br>(OPT H5100-2-125-330<br>(V83014))<br>(USED ON ITEMS 660,<br>660B, 660C) | E,F,H<br>,Q,R,<br>T,U,W<br>,X,AA<br>,AC<br>AD,AG<br>,AH,A<br>L,AM,<br>AS-AV<br>,AX<br>AZ,BC<br>,BD,B<br>G,BH,<br>BL,BM<br>,BQ<br>BR,BU<br>,BV,B<br>Y,BZ                            | 1            |
| -692A       | 315T3416-44   |                     | ..LATCH-<br>(USED ON ITEMS 660D,<br>660E, 660F)   | F,H,Q<br>,R,T,<br>U,W,X<br>,AA,A<br>C,AD<br>AG,AH<br>,AL,A<br>M,A<br>S-AV,<br>AX,AZ<br>BC,BD<br>,BG,B<br>H,BL,<br>BM,BQ<br>,BR<br>BU,BV<br>,BY,B<br>Z,C<br>H-CK,<br>DA-DC<br>DU,DV | 1            |

71-11-56

ILLUSTRATED PARTS LIST  
01.1 Page 1070I  
Nov 01/04



| FIG. & ITEM | PART NO.      | AIRLINE PART NUMBER | NOMENCLATURE   | EFF CODE  | QTY PER ASSY |
|-------------|---------------|---------------------|--|---|--------------|
| 07-694      | H5100-125-250 |                     | 1234567<br>..LATCH-<br>(V83014)<br>(SPEC BA CL10E125-250)<br>(OPT H5100-2-125-250<br>(V83014))<br>(USED ON ITEMS 660,<br>660C) | E, F, H<br>, Q, R,<br>, T, U, W<br>, X, AA<br>, AC<br>, AD, AG<br>, AH, A<br>, L, AM,<br>, AS-AV<br>, AX<br>, AZ, BC<br>, BD, B<br>, G, BH,<br>, BL, BM<br>, BQ<br>, BR, BU<br>, BV, B<br>, Y, BZ | 1            |
| -694A       | 315T3416-37   |                     | ..LATCH-<br>(USED ON ITEM 660B)  | F, H, Q<br>, R, T,<br>, U, W, X<br>, AA, A<br>, C, AD<br>, AG, AH<br>, AL, A<br>, M, A<br>, S-AV,<br>, AX, AZ<br>, BC, BD<br>, BG, B<br>, H, BL,<br>, BM, BQ<br>, BR<br>, BU, BV<br>, BY, B<br>Z  | 1            |

# 71-11-56

 ILLUSTRATED PARTS LIST  
 01.1 Page 1070J  
 Nov 01/04

 **BOEING**  
COMPONENT  
MAINTENANCE MANUAL

| FIG. & ITEM  | PART NO.    | AIRLINE PART NUMBER | NOMENCLATURE   | EFF CODE   | QTY PER ASSY |
|--------------|-------------|---------------------|--|--|--------------|
| 07-<br>-694B | 315T3416-43 |                     | 1234567<br><br>..LATCH-<br>(USED ON ITEMS 660D,<br>660E, 660F) | F,H,Q<br>,R,T,<br>U,W,X<br>,AA,A<br>C,AD<br>AG,AH<br>,AL,A<br>M,A<br>S-AV,<br>AX,AZ<br>BC,BD<br>,BG,B<br>H,BL,<br>BM,BQ<br>,BR<br>BU,BV<br>,BY,B<br>Z,C<br>H-CK,<br>DA-DC<br>DU,DV | 1            |

71-11-56

ILLUSTRATED PARTS LIST  
01.1 Page 1070K  
Nov 01/04

| FIG. & ITEM | PART NO.    | AIRLINE PART NUMBER | NOMENCLATURE<br>1234567  | EFF CODE   | QTY PER ASSY |
|-------------|-------------|---------------------|--|--|--------------|
| 07-696      | HL1012AZ5-3 |                     | ..BOLT-<br>(V97928)<br>(SPEC BACB30NX5K3)<br>(OPT HL12VAZ5-3<br>(V73197))<br>(OPT HL12VAZ5-3<br>(V92215))<br>(OPT HL12VAZ5-3<br>(V97928))<br>(OPT L802-5K3<br>(V06725))<br>(OPT HL12VAZ5-3<br>(V56878))<br>(OPT HL1012AZ5-3<br>(V0PTK6))<br>(OPT HL1012AZ5-3<br>(V06725))<br>(OPT HL1012AZ5-3<br>(V06950))<br>(OPT HL1012AZ5-3<br>(V17446))<br>(OPT HL1012AZ5-3<br>(V56878))<br>(OPT HL1012AZ5-3<br>(V60516))<br>(OPT HL1012AZ5-3<br>(V73197)) | E,F,H<br>,Q,R,<br>T,U,W<br>,X,AA<br>,AC<br>AD,AG<br>,AH,A<br>L,AM,<br>AS-AV<br>,AX<br>AZ,BC<br>,BD,B<br>G,BH,<br>BL,BM<br>,BQ<br>BR,BU<br>,BV,B<br>Y,BZ,<br>CH-CK<br>DA-DC<br>,DU,D<br>V | 4            |

# 71-11-56

 ILLUSTRATED PARTS LIST  
 01.1 Page 1070L  
 Nov 01/04

**BOEING**  
COMPONENT  
MAINTENANCE MANUAL

| FIG. & ITEM | PART NO.    | AIRLINE PART NUMBER | NOMENCLATURE<br>1234567  | EFF CODE   | QTY PER ASSY |
|-------------|-------------|---------------------|--|--|--------------|
| 07-698      | HL1187DU5   |                     | ..COLLAR-<br>(V5M902)<br>(SPEC BACC30X5S)<br>(OPT HL87DU5<br>(V73197))<br>(OPT HL87DU5<br>(V92215))<br>(OPT HL86DU5<br>(V73197))<br>(OPT HL86DU5<br>(V56878))<br>(OPT HL86DU5<br>(V92215))<br>(OPT HL1187DU5<br>(V56878))<br>(OPT HL1187DU5<br>(V92215))<br>(OPT HL87DU5<br>(V56878))<br>(OPT HL1187DU5<br>(V73197)) | E,F,H<br>,Q,R,<br>T,U,W<br>,X,AA<br>,AC<br>AD,AG<br>,AH,A<br>L,AM,<br>AS-AV<br>,AX<br>AZ,BC<br>,BD,B<br>G,BH,<br>BL,BM<br>,BQ<br>BR,BU<br>,BV,B<br>Y,BZ,<br>CH-CK<br>DA-DC<br>,DU,D<br>V | 4            |
| 700         | 315T3416-33 |                     | ..BRACKET  | E,F,H<br>,Q,R,<br>T,U,W<br>,X,AA<br>,AC<br>AD,AG<br>,AH,A<br>L,AM,<br>AS-AV<br>,AX<br>AZ,BC<br>,BD,B<br>G,BH,<br>BL,BM<br>,BQ<br>BR,BU<br>,BV,B<br>Y,BZ,<br>CH-CK<br>DA-DC<br>,DU,D<br>V | 1            |

71-11-56

ILLUSTRATED PARTS LIST  
01.1 Page 1070M  
Nov 01/04

| FIG. & ITEM | PART NO.    | AIRLINE PART NUMBER | NOMENCLATURE  | EFF CODE  | QTY PER ASSY |
|-------------|-------------|---------------------|---|---|--------------|
| 07-702      | 315T3416-9  |                     | 1234567<br>..BRACKET-<br>(USED ON ITEMS 660,<br>660C) | F,H,Q<br>,R,T,<br>U,W,X<br>,AA,A<br>C,AD<br>AG,AH<br>,AL,A<br>M,A<br>S-AV,<br>AX,AZ<br>BC,BD<br>,BG,B<br>H,BL,<br>BM,BQ<br>,BR<br>BU,BV<br>,BY,B<br>Z | 1            |
| -702A       | 315T3416-35 |                     | ..BRACKET-<br>(USED ON ITEM 660B)                     | F,H,Q<br>,R,T,<br>U,W,X<br>,AA,A<br>C,AD<br>AG,AH<br>,AL,A<br>M,A<br>S-AV,<br>AX,AZ<br>BC,BD<br>,BG,B<br>H,BL,<br>BM,BQ<br>,BR<br>BU,BV<br>,BY,B<br>Z | 1            |

# 71-11-56

 ILLUSTRATED PARTS LIST  
 01.1 Page 1070N  
 Nov 01/04

**BOEING**  
COMPONENT  
MAINTENANCE MANUAL

| FIG. & ITEM  | PART NO.    | AIRLINE PART NUMBER | NOMENCLATURE   | EFF CODE   | QTY PER ASSY |
|--------------|-------------|---------------------|--|--|--------------|
| 07-<br>-702B | 315T3416-35 |                     | 1234567<br>..BRACKET-<br>(USED ON ITEMS 660D,<br>660E, 660F) | F,H,Q<br>,R,T,<br>U,W,X<br>,AA,A<br>C,AD<br>AG,AH<br>,AL,A<br>M,A<br>S-AV,<br>AX,AZ<br>BC,BD<br>,BG,B<br>H,BL,<br>BM,BQ<br>,BR<br>BU,BV<br>,BY,B<br>Z,C<br>H-CK,<br>DA-DC<br>DU,DV       | 1            |
| 704          | BACB30MY5K5 |                     | ..BOLT   | E,F,H<br>,Q,R,<br>T,U,W<br>,X,AA<br>,AC<br>AD,AG<br>,AH,A<br>L,AM,<br>AS-AV<br>,AX<br>AZ,BC<br>,BD,B<br>G,BH,<br>BL,BM<br>,BQ<br>BR,BU<br>,BV,B<br>Y,BZ,<br>CH-CK<br>DA-DC<br>,DU,D<br>V | 4            |

71-11-56

| FIG. & ITEM | PART NO.    | AIRLINE PART NUMBER | NOMENCLATURE   | EFF CODE   | QTY PER ASSY |
|-------------|-------------|---------------------|--|--|--------------|
| 07-706      | HL70-5      |                     | 1234567<br>..COLLAR-<br>(V5M902)<br>(SPEC BACC30M5)<br>(OPT HL70-5<br>(V73197))<br>(OPT HL70-5<br>(V92215))<br>(OPT 66014-5<br>(V56878))<br>(OPT HL70-5<br>(V56878)) | E,F,H<br>,Q,R,<br>T,U,W<br>,X,AA<br>,AC<br>AD,AG<br>,AH,A<br>L,AM,<br>AS-AV<br>,AX<br>AZ,BC<br>,BD,B<br>G,BH,<br>BL,BM<br>,BQ<br>BR,BU<br>,BV,B<br>Y,BZ,<br>CH-CK<br>DA-DC<br>,DU,D<br>V | 4            |
| 708         | BACR15BA5D5 |                     | ..RIVET  | E,F,H<br>,Q,R,<br>T,U,W<br>,X,AA<br>,AC<br>AD,AG<br>,AH,A<br>L,AM,<br>AS-AV<br>,AX<br>AZ,BC<br>,BD,B<br>G,BH,<br>BL,BM<br>,BQ<br>BR,BU<br>,BV,B<br>Y,BZ,<br>CH-CK<br>DA-DC<br>,DU,D<br>V | 2            |

# 71-11-56

 ILLUSTRATED PARTS LIST  
 01.1 Page 1070P  
 Nov 01/04

 **BOEING**  
COMPONENT  
MAINTENANCE MANUAL

| FIG. & ITEM | PART NO.    | AIRLINE PART NUMBER | NOMENCLATURE         | EFF CODE   | QTY PER ASSY |
|-------------|-------------|---------------------|----------------------|--|--------------|
| 07-710      | 315T3416-24 |                     | 1234567<br>..CHANNEL | E, F, H<br>, Q, R<br>, T, U, W<br>, X, AA<br>, AC<br>AD, AG<br>, AH, A<br>L, AM<br>AS-AV<br>, AX<br>AZ, BC<br>, BD, B<br>G, BH<br>BL, BM<br>, BQ<br>BR, BU<br>, BV, B<br>Y, BZ<br>CH-CK<br>DA-DC<br>, DU, D<br>V | 1            |
| 712         | 315T3416-26 |                     | ..CHANNEL            | E, F, H<br>, Q, R<br>, T, U, W<br>, X, AA<br>, AC<br>AD, AG<br>, AH, A<br>L, AM<br>AS-AV<br>, AX<br>AZ, BC<br>, BD, B<br>G, BH<br>BL, BM<br>, BQ<br>BR, BU<br>, BV, B<br>Y, BZ<br>CH-CK<br>DA-DC<br>, DU, D<br>V | 1            |

71-11-56

ILLUSTRATED PARTS LIST  
01.1 Page 1070Q  
Nov 01/04



| FIG. & ITEM | PART NO.    | AIRLINE PART NUMBER | NOMENCLATURE                                  | EFF CODE   | QTY PER ASSY |
|-------------|-------------|---------------------|---|--|--------------|
| 07-714      | 315T3416-25 |                     | ..CHANNEL                                     | E, F, H<br>, Q, R,<br>T, U, W<br>, X, AA<br>, AC<br>AD, AG<br>, AH, A<br>L, AM,<br>AS-AV<br>, AX<br>AZ, BC<br>, BD, B<br>G, BH,<br>BL, BM<br>, BQ<br>BR, BU<br>, BV, B<br>Y, BZ,<br>CH-CK<br>DA-DC<br>, DU, D<br>V | 1            |
| R 716       | 8425-67     |                     | ..SEAL-FIRE<br>(V11960)<br>(SPEC S315T107-67) | E, F, H<br>, Q, R,<br>T, U, W<br>, X, AA<br>, AC<br>AD, AG<br>, AH, A<br>L, AM,<br>AS-AV<br>, AX<br>AZ, BC<br>, BD, B<br>G, BH,<br>BL, BM<br>, BQ<br>BR, BU<br>, BV, B<br>Y, BZ,<br>CH-CK<br>DA-DC<br>, DU, D<br>V | 1            |

# 71-11-56

 ILLUSTRATED PARTS LIST  
 01.1 Page 1070R  
 Nov 01/04

**BOEING**  
COMPONENT  
MAINTENANCE MANUAL

| FIG. & ITEM | PART NO.    | AIRLINE PART NUMBER | NOMENCLATURE   | EFF CODE  | QTY PER ASSY |
|-------------|-------------|---------------------|--|---|--------------|
| 07-718      | 315T3416-28 |                     | 1234567<br>..DOOR-<br>(USED ON ITEMS 660,<br>660B, 660C) | E,F,H<br>,Q,R<br>,T,U,W<br>,X,AA<br>,AC<br>AD,AG<br>,AH,A<br>L,AM,<br>AS-AV<br>,AX<br>AZ,BC<br>,BD,B<br>G,BH,<br>BL,BM<br>,BQ<br>BR,BU<br>,BV,B<br>Y,BZ                           | 1            |
| -718A       | 315T3416-41 |                     | ..DOOR-<br>(USED ON ITEMS 660D,<br>660E, 660F)           | F,H,Q<br>,R,T<br>U,W,X<br>,AA,A<br>C,AD<br>AG,AH<br>,AL,A<br>M,A<br>S-AV,<br>AX,AZ<br>BC,BD<br>,BG,B<br>H,BL,<br>BM,BQ<br>,BR<br>BU,BV<br>,BY,B<br>Z,C<br>H-CK,<br>DA-DC<br>DU,DV | 1            |

**71-11-56**

ILLUSTRATED PARTS LIST  
01.1 Page 1070S  
Nov 01/04

| FIG. & ITEM    | PART NO.                         | AIRLINE PART NUMBER | NOMENCLATURE   | EFF CODE  | QTY PER ASSY |
|----------------|----------------------------------|---------------------|--|---|--------------|
| 07-719<br>719A | BAC27EPPS10048<br>BAC27EPPS10048 |                     | DELETED<br>..MARKER-ALUMINUM FOIL (LIMITED)<br>(USED ON ITEMS 660, 660C) | E,F,H<br>,Q,R,<br>T,U,W<br>,X,AA<br>,AC<br>AD,AG<br>,AH,A<br>L,AM,<br>AS-AV<br>,AX<br>AZ,BC<br>,BD,B<br>G,BH,<br>BL,BM<br>,BQ<br>BR,BU<br>,BV,B<br>Y,BZ                                 | 1            |
| -719B          | BAC27EPPS10048                   |                     | ..MARKER-ALUMINUM FOIL<br>(USED ON ITEMS 660D, 660E, 660F)               | F,H,Q<br>,R,T,<br>U,W,X<br>,AA,A<br>C,AD<br>AG,AH<br>,AL,A<br>M,A<br>S-AV,<br>AX,AZ<br>BC,BD<br>,BG,B<br>H,BL,<br>BM,BQ<br>,BR<br>BU,BV<br>,BY,B<br>Z,C<br>H-CK,<br>DA-DC<br>DU,DV<br>A | 1            |
| 720            | 315T4403-7                       |                     | .FITTING ASSY-TRACK SPRT<br>BEAM   | A   | 1            |

# 71-11-56

 ILLUSTRATED PARTS LIST  
 01.1 Page 1070T  
 Nov 01/04

 **BOEING**  
COMPONENT  
MAINTENANCE MANUAL

| FIG. & ITEM    | PART NO.                   | AIRLINE PART NUMBER | NOMENCLATURE   | EFF CODE  | QTY PER ASSY |
|----------------|----------------------------|---------------------|--|---|--------------|
|                |                            |                     | 1234567  |   |              |
| 07-<br>-720A   | 315T4403-11                |                     | .FITTING ASSY-TRACK SPRT<br>BEAM<br>(REPLD BY ITEMS 720C,<br>720D)                       | B-D,<br>J-N,V<br>,Y,Z,<br>AE,AF<br>,AJ,A<br>K<br>AN-AR<br>,AW,A<br>Y,BA,<br>BB,BE<br>,BF<br>BJ,BK<br>,BN,B<br>P,BS,<br>BT,BW<br>,BX | 1            |
| -720B<br>-720C | 315T4403-15<br>315T4403-19 |                     | DELETED<br>.FITTING ASSY-TRACK SPRT<br>BEAM<br>(REPLS ITEM 720A)<br>(REPLD BY ITEM 720D) | B-D,<br>J-N,V<br>,Y,Z,<br>AE,AF<br>,AJ,A<br>K<br>AN-AR<br>,AW,A<br>Y,BA,<br>BB,BE<br>,BF<br>BJ,BK<br>,BN,B<br>P,BS,<br>BT,BW<br>,BX | 1            |

71-11-56

ILLUSTRATED PARTS LIST  
01.1 Page 1070U  
Nov 01/04

| FIG. & ITEM  | PART NO.    | AIRLINE PART NUMBER | NOMENCLATURE   | EFF CODE  | QTY PER ASSY |
|--------------|-------------|---------------------|--|---|--------------|
| 07-<br>-720D | 315T4403-23 |                     | 1234567<br>.FITTING ASSY-TRACK SPRT<br>BEAM<br>(REPLS ITEM 720C)<br>(REPLD BY ITEM 720E) | B-D,<br>J-N,V<br>,Y,Z,<br>AE,AF<br>,AJ,A<br>K<br>AN-AR<br>,AW,A<br>Y,BA,<br>BB,BE<br>,BF<br>BJ,BK<br>,BN,B<br>P,BS,<br>BT,BW<br>,BZ | 1            |
| -720E        | 315T4403-27 |                     | .FITTING ASSY-TRACK SPRT<br>BEAM<br>(REPLS ITEM 720D)                                    | B-D,<br>J-N,V<br>,Y,Z,<br>AE,AF<br>,AJ,A<br>K<br>AN-AR<br>,AW,A<br>Y,BA,<br>BB,BE<br>,BF<br>BJ,BK<br>,BN,B<br>P,BS,<br>BT,BW<br>,BZ | 1            |

# 71-11-56

 ILLUSTRATED PARTS LIST  
 01.1 Page 1070V  
 Nov 01/04

 **BOEING**  
COMPONENT  
MAINTENANCE MANUAL

| FIG. & ITEM  | PART NO.    | AIRLINE PART NUMBER | NOMENCLATURE<br>1234567   | EFF CODE  | QTY PER ASSY |
|--------------|-------------|---------------------|---|---|--------------|
| 07-<br>-720F | 315T4403-27 |                     | .FITTING ASSY-TRACK SPRT BEAM   | CA-CC<br>,CT-C<br>V,DS,<br>DT   | 1            |
| 728          | 315T4403-2  |                     | .FITTING ASSY-TRACK SPRT BEAM   | E   | 1            |
| -728A        | 315T4403-12 |                     | .FITTING ASSY-TRACK SPRT BEAM<br>(REPLD BY ITEMS 728C,<br>728D)           | F,H,Q<br>,R,T,<br>U,W,X<br>,AA,A<br>C,AD<br>AG,AH<br>,AL,A<br>M,A<br>S-AV,<br>AX,AZ<br>BC,BD<br>,BG,B<br>H,BL,<br>BM,BQ<br>,BR<br>BU,BV<br>,BY,B<br>Z | 1            |
| -728B        | 315T4403-16 |                     | DELETED   |   |              |
| -728C        | 315T4403-20 |                     | .FITTING ASSY-TRACK SPRT BEAM<br>(REPLS ITEM 728A)<br>(REPD BY ITEM 728D) | F,H,Q<br>,R,T,<br>U,W,X<br>,AA,A<br>C,AD<br>AG,AH<br>,AL,A<br>M,A<br>S-AV,<br>AX,AZ<br>BC,BD<br>,BG,B<br>H,BL,<br>BM,BQ<br>,BR<br>BU,BV<br>,BY,B<br>Z | 1            |

71-11-56

ILLUSTRATED PARTS LIST  
01.1 Page 1070W  
Nov 01/04

| FIG. & ITEM  | PART NO.    | AIRLINE PART NUMBER | NOMENCLATURE  | EFF CODE  | QTY PER ASSY |
|--------------|-------------|---------------------|---|---|--------------|
| 07-<br>-728D | 315T4403-24 |                     | .FITTING ASSY-TRACK SPRT<br>BEAM<br>(REPLS ITEM 728C)<br>(REPLD BY ITEM 728E) | F,H,Q<br>,R,T,<br>U,W,X<br>,AA,A<br>C,AD<br>AG,AH<br>,AL,A<br>M,A<br>S-AV,<br>AX,AZ<br>BC,BD<br>,BG,B<br>H,BL,<br>BM,BQ<br>,BR<br>BU,BV<br>,BY,B<br>Z | 1            |
| -728E        | 315T4403-28 |                     | .FITTING ASSY-TRACK SPRT<br>BEAM<br>(REPLS ITEM 728D)                         | F,H,Q<br>,R,T,<br>U,W,X<br>,AA,A<br>C,AD<br>AG,AH<br>,AL,A<br>M,A<br>S-AV,<br>AX,AZ<br>BC,BD<br>,BG,B<br>H,BL,<br>BM,BQ<br>,BR<br>BU,BV<br>,BY,B<br>Z | 1            |

# 71-11-56

 ILLUSTRATED PARTS LIST  
 01.1 Page 1070X  
 Nov 01/04

 **BOEING**  
COMPONENT  
MAINTENANCE MANUAL

| FIG. & ITEM  | PART NO.        | AIRLINE PART NUMBER | NOMENCLATURE                                | EFF CODE   | QTY PER ASSY |
|--------------|-----------------|---------------------|---|--|--------------|
| 07-<br>-728F | 315T4403-28     |                     | 1234567<br>.FITTING ASSY-TRACK SPRT<br>BEAM | CH-CK<br>,DA-<br>DC,DU<br>,DV  | 1            |
| 729          | BACB28AW07A029C |                     | ..BUSHING                                   | A-D,<br>J-N,V<br>,Y,Z,<br>AE,AF<br>,AJ,A<br>K<br>AN-AR<br>,AW,A<br>Y,BA,<br>BB,BE<br>,BF<br>BJ,BK<br>,BN,B<br>P,BS,<br>BT,BW<br>,BX<br>CA-CC<br>,CT-C<br>V,DS,<br>DT | 6            |

71-11-56

ILLUSTRATED PARTS LIST  
01.1 Page 1070Y  
Nov 01/04



| FIG. & ITEM | PART NO.        | AIRLINE PART NUMBER | NOMENCLATURE         | EFF CODE   | QTY PER ASSY |
|-------------|-----------------|---------------------|----------------------|--|--------------|
| 07-730      | BACB28AM06B039A |                     | 1234567<br>..BUSHING | E, F, H<br>, Q, R,<br>T, U, W<br>, X, AA<br>, AC<br>AD, AG<br>, AH, A<br>L, AM,<br>AS-AV<br>, AX<br>AZ, BC<br>, BD, B<br>G, BH,<br>BL, BM<br>, BQ<br>BR, BU<br>, BV, B<br>Y, BZ,<br>CH-CK<br>DA-DC<br>, DU, D<br>V | 3            |
| 732         | 315T3414-3      |                     | ..BUSHING            | E, F, H<br>, Q, R,<br>T, U, W<br>, X, AA<br>, AC<br>AD, AG<br>, AH, A<br>L, AM,<br>AS-AV<br>, AX<br>AZ, BC<br>, BD, B<br>G, BH,<br>BL, BM<br>, BQ<br>BR, BU<br>, BV, B<br>Y, BZ,<br>CH-CK<br>DA-DC<br>, DU, D<br>V | 6            |

# 71-11-56

 ILLUSTRATED PARTS LIST  
 01.1 Page 1070Z  
 Nov 01/04

| FIG. & ITEM         | PART NO.                   | AIRLINE PART NUMBER | NOMENCLATURE                                   | EFF CODE   | QTY PER ASSY |
|---------------------|----------------------------|---------------------|--|--|--------------|
|                     |                            |                     | 1234567  |  |              |
| 07-<br>733<br>-733A | 315T4403-9<br>315T4403-13  |                     | ..FITTING<br>..FITTING-<br>(USED ON ITEM 720A) | A<br>B-D,<br>J-N,V<br>,Y,Z,<br>AE,AF<br>,AJ,A<br>K<br>AN-AR<br>,AW,A<br>Y,BA,<br>BB,BE<br>,BF<br>BJ,BK<br>,BN,B<br>P,BS,<br>BT,BW<br>,BX | 1<br>1       |
| -733B<br>-733C      | 315T4403-17<br>315T4403-21 |                     | DELETED<br>..FITTING-<br>(USED ON ITEM 720C)   | B-D,<br>J-N,V<br>,Y,Z,<br>AE,AF<br>,AJ,A<br>K<br>AN-AR<br>,AW,A<br>Y,BA,<br>BB,BE<br>,BF<br>BJ,BK<br>,BN,B<br>P,BS,<br>BT,BW<br>,BX      | 1            |

71-11-56

| FIG. & ITEM  | PART NO.    | AIRLINE PART NUMBER | NOMENCLATURE                                 | EFF CODE   | QTY PER ASSY |
|--------------|-------------|---------------------|--|--|--------------|
| 07-<br>-733D | 315T4403-25 |                     | 1234567<br>..FITTING-<br>(USED ON ITEM 720D) | B-D,<br>J-N,V<br>,Y,Z,<br>AE,AF<br>,AJ,A<br>K<br>AN-AR<br>,AW,A<br>Y,BA,<br>BB,BE<br>,BF<br>BJ,BK<br>,BN,B<br>P,BS,<br>BT,BW<br>,BX                                  | 1            |
| -733E        | 315T4403-29 |                     | ..FITTING-<br>(USED ON ITEMS 720E,<br>720F)  | B-D,<br>J-N,V<br>,Y,Z,<br>AE,AF<br>,AJ,A<br>K<br>AN-AR<br>,AW,A<br>Y,BA,<br>BB,BE<br>,BF<br>BJ,BK<br>,BN,B<br>P,BS,<br>BT,BW<br>,BX<br>CA-CC<br>,CT-C<br>V,DS,<br>DT | 1            |

# 71-11-56

 ILLUSTRATED PARTS LIST  
 01.1 Page 1072  
 Nov 01/04

 **BOEING**  
COMPONENT  
MAINTENANCE MANUAL

| FIG. & ITEM | PART NO.    | AIRLINE PART NUMBER | NOMENCLATURE                      | EFF CODE   | QTY PER ASSY |
|-------------|-------------|---------------------|-----------------------------------|--|--------------|
|             |             |                     | 1234567                           |  |              |
| 07-         |             |                     |                                   |  |              |
| -734        | 315T4403-4  |                     | ..FITTING                         | E  | 1            |
| -734A       | 315T4403-14 |                     | ..FITTING-<br>(USED ON ITEM 728A) | F,H,Q<br>,R,T,<br>U,W,X<br>,AA,A<br>C,AD<br>AG,AH<br>,AL,A<br>M,A<br>S-AV,<br>AX,AZ<br>AZ,BC<br>,BD,B<br>G,BH,<br>BL,BM<br>,BQ<br>BR,BU<br>,BV,B<br>Y,BZ | 1            |
| -734B       | 315T4403-18 |                     | DELETED                           |  |              |
| -734C       | 315T4403-22 |                     | ..FITTING-<br>(USED ON ITEM 728C) | F,H,Q<br>,R,T,<br>U,W,X<br>,AA,A<br>C,AD<br>AG,AH<br>,AL,A<br>M,A<br>S-AV,<br>AX,AZ<br>BC,BD<br>,BG,B<br>H,BL,<br>BM,BQ<br>,BR<br>BU,BV<br>,BY,B<br>Z    | 1            |

71-11-56

ILLUSTRATED PARTS LIST  
01.1 Page 1072A  
Nov 01/04

| FIG. & ITEM  | PART NO.    | AIRLINE PART NUMBER | NOMENCLATURE                                 | EFF CODE   | QTY PER ASSY |
|--------------|-------------|---------------------|--|--|--------------|
| 07-<br>-734D | 315T4403-26 |                     | 1234567<br>..FITTING-<br>(USED ON ITEM 728D) | F,H,Q<br>,R,T,<br>U,W,X<br>,AA,A<br>C,AD<br>AG,AH<br>,AL,A<br>M,A<br>S-AV,<br>AX,AZ<br>BC,BD<br>,BG,B<br>H,BL,<br>BM,BQ<br>,BR<br>BU,BV<br>,BY,B<br>Z                              | 1            |
| -734E        | 315T4403-30 |                     | ..FITTING-<br>(USED ON ITEMS 728E,<br>728F)  | F,H,Q<br>,R,T,<br>U,W,X<br>,AA,A<br>C,AD<br>AG,AH<br>,AL,A<br>M,A<br>S-AV,<br>AX,AZ<br>BC,BD<br>,BG,B<br>H,BL,<br>BM,BQ<br>,BR<br>BU,BV<br>,BY,B<br>Z,C<br>H-CK,<br>DA-DC<br>DU,DV | 1            |

# 71-11-56

 ILLUSTRATED PARTS LIST  
 01.1 Page 1072B  
 Nov 01/04

 **BOEING**  
COMPONENT  
MAINTENANCE MANUAL

| FIG. & ITEM        | PART NO.                 | AIRLINE PART NUMBER | NOMENCLATURE<br>1234567                                | EFF CODE  | QTY PER ASSY |
|--------------------|--------------------------|---------------------|--|---|--------------|
| 07-<br>736<br>736A | 315T3406-5<br>315T3406-7 |                     | DELETED<br>.LINER-AUX TRACK<br>(PRE SB 767-78A0079)    | A   | 1            |
| -736B              | 315T3406-7               |                     | .LINER-AUX TRACK<br>(PRE SB 767-78A0079)<br>(LIMITED)  | B-D,<br>J-N,V<br>,Y,Z,<br>AE,AF<br>,AJ,A<br>K<br>AN-AR<br>,AW,A<br>Y,BA,<br>BB,BE<br>,BF<br>BJ,BK<br>,BN,B<br>P,BS,<br>BT,BW<br>,BX | 1            |
| -736C              | 315T3406-11              |                     | .LINER-AUX TRACK<br>(POST SB 767-78A0079)<br>(LIMITED) | B-D,<br>J-N,V<br>,Y,Z,<br>AE,AF<br>,AJ,A<br>K<br>AN-AR<br>,AW,A<br>Y,BA,<br>BB,BE<br>,BF<br>BJ,BK<br>,BN,B<br>P,BS,<br>BT,BW<br>,BX | 1            |
| -736D              | 315T3406-11              |                     | .LINER-AUX TRACK                                       | CA-CC<br>,CT-C<br>V,DS,<br>DT   | 1            |
| -736E              | 315T3406-11              |                     | .LINER-AUX TRACK<br>(POST SB 767-78A0079)              | A   | 1            |

**71-11-56**

ILLUSTRATED PARTS LIST  
01.1 Page 1072C  
Nov 01/04

| FIG. & ITEM | PART NO.    | AIRLINE PART NUMBER | NOMENCLATURE<br>1234567                                | EFF CODE  | QTY PER ASSY |
|-------------|-------------|---------------------|--|---|--------------|
| 07-         |             |                     |  |   |              |
| -738        | 315T3406-4  |                     | DELETED  |   |              |
| -738A       | 315T3406-8  |                     | .LINER-AUX TRACK<br>(PRE SB 767-78A0079)               | E   | 1            |
| -738B       | 315T3406-8  |                     | .LINER-AUX TRACK<br>(LIMITED)<br>(PRE SB 767-78A0079)  | F,H,Q<br>,R,T,<br>U,W,X<br>,AA,A<br>C,AD<br>AG,AH<br>,AL,A<br>M,A<br>S-AV,<br>AX,AZ<br>BC,BD<br>,BG,B<br>H,BL,<br>BM,BQ<br>,BR<br>BU,BV<br>,BY,B<br>Z | 1            |
| -738C       | 315T3406-12 |                     | .LINER-AUX TRACK<br>(LIMITED)<br>(POST SB 767-78A0079) | F,H,Q<br>,R,T,<br>U,W,X<br>,AA,A<br>C,AD<br>AG,AH<br>,AL,A<br>M,A<br>S-AV,<br>AX,AZ<br>BC,BD<br>,BG,B<br>H,BL,<br>BM,BQ<br>,BR<br>BU,BV<br>,BY,B<br>Z | 1            |
| -738D       | 315T3406-12 |                     | .LINER-AUX TRACK                                       | CH-CK<br>,DA-<br>DC,DU<br>,DV   | 1            |
| -738E       | 315T3406-12 |                     | .LINER-AUX TRACK<br>(POST SB 767-78A0079)              | E   | 1            |

# 71-11-56

 ILLUSTRATED PARTS LIST  
 01.1 Page 1072D  
 Nov 01/04

| FIG. & ITEM        | PART NO.                    | AIRLINE PART NUMBER | NOMENCLATURE  | EFF CODE  | QTY PER ASSY |
|--------------------|-----------------------------|---------------------|---|---|--------------|
|                    |                             |                     | 1234567   |   |              |
| 07-<br>740<br>740A | 315T4401-53<br>315T4401-115 |                     | DELETED<br>.PANEL ASSY-WALL<br>(REPLD BY ITEMS 740B,<br>740C) | B-D,<br>J-N,V<br>,Y,Z,<br>AE,AF<br>,AJ,A<br>K<br>AN-AR<br>,AW,A<br>Y,BA,<br>BB,BE<br>,BF<br>BJ,BK<br>,BN,B<br>P,BS,<br>BT,BW<br>,BX | 1            |
| -740B              | 315T4401-117                |                     | .PANEL ASSY-WALL<br>(REPLS ITEM 740A)<br>(REPLD BY ITEM 740C) | B-D,<br>J-N,V<br>,Y,Z,<br>AE,AF<br>,AJ,A<br>K<br>AN-AR<br>,AW,A<br>Y,BA,<br>BB,BE<br>,BF<br>BJ,BK<br>,BN,B<br>P,BS,<br>BT,BW<br>,BX | 1            |

71-11-56



| FIG. & ITEM  | PART NO.     | AIRLINE PART NUMBER | NOMENCLATURE<br>1234567  | EFF CODE  | QTY PER ASSY |
|--------------|--------------|---------------------|--|---|--------------|
| 07-<br>-740C | 315T4401-129 |                     | .PANEL ASSY-WALL<br>(REPLS ITEM 740A,<br>740B)<br>(REPLD BY ITEM 740D) | B-D,<br>J-N,V<br>,Y,Z,<br>AE,AF<br>,AJ,A<br>K<br>AN-AR<br>,AW,A<br>Y,BA,<br>BB,BE<br>,BF<br>BJ,BK<br>,BN,B<br>P,BS,<br>BT,BW<br>,BX | 1            |
| -740D        | 315T4401-132 |                     | .PANEL ASSY-WALL<br>(REPLS ITEM 740C)<br>(REPLD BY ITEM 740F)          | B-D,<br>J-N,V<br>,Y,Z,<br>AE,AF<br>,AJ,A<br>K<br>AN-AR<br>,AW,A<br>Y,BA,<br>BB,BE<br>,BF<br>BJ,BK<br>,BN,B<br>P,BS,<br>BT,BW<br>,BX | 1            |

# 71-11-56

 ILLUSTRATED PARTS LIST  
 01.1 Page 1072F  
 Nov 01/04

 **BOEING**  
COMPONENT  
MAINTENANCE MANUAL

| FIG. & ITEM | PART NO.     | AIRLINE PART NUMBER | NOMENCLATURE<br>1234567                            | EFF CODE   | QTY PER ASSY |
|-------------|--------------|---------------------|--|--|--------------|
| 07-         |              |                     |  |  |              |
| -740E       | 315T4401-115 |                     | .PANEL ASSY-WALL                                   | A  | 1            |
| -740F       | 315T4401-133 |                     | .PANEL ASSY-WALL<br>(REPLS ITEM 740D)              | B-D,<br>J-N,V<br>,Y,Z,<br>AE,AF<br>,AJ,A<br>K<br>AN-AR<br>,AW,A<br>Y,BA,<br>BB,BE<br>,BF<br>BJ,BK<br>,BN,B<br>P,BS,<br>BT,BW<br>,BX<br>CA-CC<br>,CT-C<br>V,DS,<br>DT | 1            |
| -740G       | 315T4401-133 |                     | .PANEL ASSY-WALL                                   |  | 1            |
| -742        | 315T4401-54  |                     | DELETED  |  |              |
| -742A       | 315T4401-90  |                     | .PANEL ASSY-WALL<br>(REPLD BY ITEMS 742B,<br>742C) | F,H,Q<br>,R,T,<br>U,W,X<br>,AA,A<br>C,AD<br>AG,AH<br>,AL,A<br>M,A<br>S-AV,<br>AX,AZ<br>BC,BD<br>,BG,B<br>H,BL,<br>BM,BQ<br>,BR<br>BU,BV<br>,BY,B<br>Z                | 1            |

71-11-56

ILLUSTRATED PARTS LIST  
01.1 Page 1072G  
Nov 01/04

| FIG. & ITEM  | PART NO.     | AIRLINE PART NUMBER | NOMENCLATURE  | EFF CODE  | QTY PER ASSY |
|--------------|--------------|---------------------|---|---|--------------|
| 07-<br>-742B | 315T4401-120 |                     | .PANEL ASSY-WALL<br>(REPLS ITEM 742A)<br>REPLD BY ITEM 742C)        | F,H,Q<br>,R,T,<br>U,W,X<br>,AA,A<br>C,AD<br>AG,AH<br>,AL,A<br>M,A<br>S-AV,<br>AX,AZ<br>BC,BD<br>,BG,B<br>H,BL,<br>BM,BQ<br>,BR<br>BU,BV<br>,BY,B<br>Z | 1            |
| -742C        | 315T4401-124 |                     | .PANEL ASSY-WALL<br>(REPLS ITEM 742A, 742B)<br>(REPLD BY ITEM 742D) | F,H,Q<br>,R,T,<br>U,W,X<br>,AA,A<br>C,AD<br>AG,AH<br>,AL,A<br>M,A<br>S-AV,<br>AX,AZ<br>BC,BD<br>,BG,B<br>H,BL,<br>BM,BQ<br>,BR<br>BU,BV<br>,BY,B<br>Z | 1            |

# 71-11-56

 ILLUSTRATED PARTS LIST  
 01.1 Page 1072H  
 Nov 01/04

**BOEING**  
COMPONENT  
MAINTENANCE MANUAL

| FIG. & ITEM  | PART NO.     | AIRLINE PART NUMBER | NOMENCLATURE<br>1234567                                       | EFF CODE  | QTY PER ASSY |
|--------------|--------------|---------------------|---|---|--------------|
| 07-<br>-742D | 315T4401-130 |                     | .PANEL ASSY-WALL<br>(REPLS ITEM 742C)<br>(REPLD BY ITEM 742F) | F,H,Q<br>,R,T,<br>U,W,X<br>,AA,A<br>C,AD<br>AG,AH<br>,AL,A<br>M,A<br>S-AV,<br>AX,AZ<br>BC,BD<br>,BG,B<br>H,BL,<br>BM,BQ<br>,BR<br>BU,BV<br>,BY,B<br>Z | 1            |
| -742E        | 315T4401-90  |                     | .PANEL ASSY-WALL  | E   | 1            |
| -742F        | 315T4401-134 |                     | .PANEL ASSY-WALL<br>(REPLS ITEM 742D)                         | F,H,Q<br>,R,T,<br>U,W,X<br>,AA,A<br>C,AD<br>AG,AH<br>,AL,A<br>M,A<br>S-AV,<br>AX,AZ<br>BC,BD<br>,BG,B<br>H,BL,<br>BM,BQ<br>,BR<br>BU,BV<br>,BY,B<br>Z | 1            |

71-11-56

ILLUSTRATED PARTS LIST  
01.1 Page 1072I  
Nov 01/04

| FIG. & ITEM  | PART NO.                    | AIRLINE PART NUMBER | NOMENCLATURE<br>1234567              | EFF CODE   | QTY PER ASSY |
|--------------|-----------------------------|---------------------|--------------------------------------|--|--------------|
| 07-<br>-742G | 315T4401-134                |                     | .PANEL ASSY-WALL                     | CH-CK<br>,DA-<br>DC,DU<br>,DV  | 1            |
| 743          | NAS1398CW4                  |                     | ..RIVET-<br>(SIZE DETERMINE ON INST) | A-D,<br>J-N,V<br>,Y,Z,<br>AE,AF<br>,AJ,A<br>K<br>AN-AR<br>,AW,A<br>Y,BA,<br>BB,BE<br>,BF<br>BJ,BK<br>,BN,B<br>P,BS,<br>BT,BW<br>,BX                                  | 8            |
| 744<br>745   | BAC27TTR0035<br>315T4401-37 |                     | DELETED<br>..RETAINER-SEAL           | A-D,<br>J-N,V<br>,Y,Z,<br>AE,AF<br>,AJ,A<br>K<br>AN-AR<br>,AW,A<br>Y,BA,<br>BB,BE<br>,BF<br>BJ,BK<br>,BN,B<br>P,BS,<br>BT,BW<br>,BX<br>CA-CC<br>,CT-C<br>V,DS,<br>DT | 1            |

# 71-11-56

 ILLUSTRATED PARTS LIST  
 01.1 Page 1072J  
 Nov 01/04

 **BOEING**  
COMPONENT  
MAINTENANCE MANUAL

| FIG. & ITEM | PART NO.     | AIRLINE PART NUMBER | NOMENCLATURE   | EFF CODE  | QTY PER ASSY |
|-------------|--------------|---------------------|--|---|--------------|
| 07-747      | 315T4401-89  |                     | 1234567<br>..BOND ASSY-<br>(USED ON ITEMS 740A,<br>740E) | A-D,<br>J-N,V<br>,Y,Z,<br>AE,AF<br>,AJ,A<br>K<br>AN-AR<br>,AW,A<br>Y,BA,<br>BB,BE<br>,BF<br>BJ,BK<br>,BN,B<br>P,BS,<br>BT,BW<br>,BX | 1            |
| -747A       | 315T4401-119 |                     | ..BOND ASSY-<br>(USED ON ITEM 740B)                      | B-D,<br>J-N,V<br>,Y,Z,<br>AE,AF<br>,AJ,A<br>K<br>AN-AR<br>,AW,A<br>Y,BA,<br>BB,BE<br>,BF<br>BJ,BK<br>,BN,B<br>P,BS,<br>BT,BW<br>,BX | 1            |

71-11-56

ILLUSTRATED PARTS LIST  
01.1 Page 1072K  
Nov 01/04

| FIG. & ITEM  | PART NO.     | AIRLINE PART NUMBER | NOMENCLATURE                                   | EFF CODE  | QTY PER ASSY |
|--------------|--------------|---------------------|--|---|--------------|
| 07-<br>-747B | 315T4401-123 |                     | 1234567<br>..BOND ASSY-<br>(USED ON ITEM 740C) | B-D,<br>J-N,V<br>,Y,Z,<br>AE,AF<br>,AJ,A<br>K<br>AN-AR<br>,AW,A<br>Y,BA,<br>BB,BE<br>,BF<br>BJ,BK<br>,BN,B<br>P,BS,<br>BT,BW<br>,BX | 1            |
| -747C        | 315T4401-131 |                     | ..BOND ASSY-<br>(USED ON ITEM 740D)            | B-D,<br>J-N,V<br>,Y,Z,<br>AE,AF<br>,AJ,A<br>K<br>AN-AR<br>,AW,A<br>Y,BA,<br>BB,BE<br>,BF<br>BJ,BK<br>,BN,B<br>P,BS,<br>BT,BW<br>,BX | 1            |

# 71-11-56

 ILLUSTRATED PARTS LIST  
 01.1 Page 1072L  
 Nov 01/04

**BOEING**  
COMPONENT  
MAINTENANCE MANUAL

| FIG. & ITEM  | PART NO.     | AIRLINE PART NUMBER | NOMENCLATURE   | EFF CODE   | QTY PER ASSY |
|--------------|--------------|---------------------|--|--|--------------|
| 07-<br>-747D | 315T4401-135 |                     | 1234567<br>..BOND ASSY-<br>(USED ON ITEMS 740F,<br>740G) | B-D,<br>J-N,V<br>,Y,Z,<br>AE,AF<br>,AJ,A<br>K<br>AN-AR<br>,AW,A<br>Y,BA,<br>BB,BE<br>,BF<br>BJ,BK<br>,BN,B<br>P,BS,<br>BT,BW<br>,BX<br>CA-CC<br>,CT-C<br>V,DS,<br>DT | 1            |
| 750          | BACR15CE5D   |                     | .RIVET-<br>(SIZE DETERMINE ON INST)                      | A-F,<br>H-N,Q<br>,R,<br>T-AA,<br>AC-CC<br>CH-CK<br>,CT-C<br>V,D<br>A-DC,<br>DS-DV  | 40           |

71-11-56

ILLUSTRATED PARTS LIST  
01.1 Page 1072M  
Nov 01/04



| FIG. & ITEM         | PART NO.                     | AIRLINE PART NUMBER | NOMENCLATURE<br>1234567               | EFF CODE   | QTY PER ASSY |
|---------------------|------------------------------|---------------------|---------------------------------------|--|--------------|
| 07-<br>755<br>-755A | 315T3400-129<br>315T3400-129 |                     | .STRIP-RUB<br>.STRIP-RUB<br>(LIMITED) | A,E<br>B-D,F<br>,H,J,<br>Q,R,<br>T-AA,<br>AC-BZ  | 1<br>1       |
| -755B               | 315T4400-94                  |                     | .STRIP-RUB<br>(LIMITED)               | B-D,F<br>,H,J,<br>Q,R,<br>T-AA,<br>AC-BZ   | 1            |
| -755C               | 315T4400-113                 |                     | .STRIP-RUB<br>(LIMITED)               | B-D,F<br>,H,J,<br>Q,R,<br>T-AA,<br>AC-BZ   | 1            |
| -755D               | 315T4400-117                 |                     | .STRIP-RUB<br>(LIMITED)               | B-D,F<br>,H,J,<br>Q,R,<br>T-AA,<br>AC-BZ   | 1            |
| -755E               | 315T4400-117                 |                     | .STRIP-RUB                            | CA-CC<br>,CH-C<br>K,C<br>T-CV,<br>DA-DC<br>DS-DV   | 1            |
| 760<br>-760A        | 315T3400-171<br>315T3400-171 |                     | .RETAINER<br>.RETAINER-<br>(LIMITED)  | A<br>B-D,<br>J-N,V<br>,Y,Z,<br>AE,AF<br>,AJ,A<br>K<br>AN-AR<br>,AW,A<br>Y,BA,<br>BB,BE<br>,BF<br>BJ,BK<br>,BN,B<br>P,BS,<br>BT,BW<br>,BX | 1<br>1       |

# 71-11-56

 ILLUSTRATED PARTS LIST  
 01.1 Page 1072N  
 Nov 01/04

| FIG. & ITEM  | PART NO.     | AIRLINE PART NUMBER | NOMENCLATURE            | EFF CODE  | QTY PER ASSY |
|--------------|--------------|---------------------|-------------------------|---|--------------|
| 07-<br>-760B | 315T3400-277 |                     | .RETAINER-<br>(LIMITED) | B-D,<br>J-N,V<br>,Y,Z,<br>AE,AF<br>,AJ,A<br>K<br>AN-AR<br>,AW,A<br>Y,BA,<br>BB,BE<br>,BF<br>BJ,BK<br>,BN,B<br>P,BS,<br>BT,BW<br>,BX | 1            |
| -760C        | 315T4400-115 |                     | .RETAINER-<br>(LIMITED) | B-D,<br>J-N,V<br>,Y,Z,<br>AE,AF<br>,AJ,A<br>K<br>AN-AR<br>,AW,A<br>Y,BA,<br>BB,BE<br>,BF<br>BJ,BK<br>,BN,B<br>P,BS,<br>BT,BW<br>,BX | 1            |
| -760D        | 315T4400-115 |                     | .RETAINER               | CA-CC<br>,CT-C<br>V,DS,<br>DT   | 1            |

71-11-56

ILLUSTRATED PARTS LIST

01.1 Page 10720

Nov 01/04

| FIG. & ITEM | PART NO.     | AIRLINE PART NUMBER | NOMENCLATURE<br>1234567 | EFF CODE  | QTY PER ASSY |
|-------------|--------------|---------------------|-------------------------|---|--------------|
| 07-         |              |                     |                         |   |              |
| -765        | 315T3400-271 |                     | .RETAINER               | E   | 1            |
| -765A       | 315T3400-271 |                     | .RETAINER-<br>(LIMITED) | F,H,Q<br>,R,T,<br>U,W,X<br>,AA,A<br>C,AD<br>AG,AH<br>,AL,A<br>M,A<br>S-AV,<br>AX,AZ<br>BC,BD<br>,BG,B<br>H,BL,<br>BM,BQ<br>,BR<br>BU,BV<br>,BY,B<br>Z | 1            |
| -765B       | 315T4400-116 |                     | .RETAINER-<br>(LIMITED) | F,H,Q<br>,R,T,<br>U,W,X<br>,AA,A<br>C,AD<br>AG,AH<br>,AL,A<br>M,A<br>S-AV,<br>AX,AZ<br>BC,BD<br>,BG,B<br>H,BL,<br>BM,BQ<br>,BR<br>BU,BV<br>,BY,B<br>Z | 1            |
| -765C       | 315T4400-116 |                     | .RETAINER               | CH-CK<br>,DA-<br>DC,DU<br>,DV   | 1            |

# 71-11-56

 ILLUSTRATED PARTS LIST  
 01.1 Page 1072P  
 Nov 01/04

**BOEING**  
COMPONENT  
MAINTENANCE MANUAL

| FIG. & ITEM         | PART NO.                     | AIRLINE PART NUMBER | NOMENCLATURE<br>1234567      | EFF CODE   | QTY PER ASSY |
|---------------------|------------------------------|---------------------|------------------------------|--|--------------|
| 07-<br>770<br>-770A | 315T3400-251<br>315T3400-251 |                     | .SKIN<br>.SKIN-<br>(LIMITED) | A<br>B-D,<br>J-N,V<br>,Y,Z,<br>AE,AF<br>,AJ,A<br>K<br>AN-AR<br>,AW,A<br>Y,BA,<br>BB,BE<br>,BF<br>BJ,BK<br>,BN,B<br>P,BS,<br>BT,BW<br>,BX | 1<br>1       |
| -770B               | 315T4400-111                 |                     | .SKIN-<br>(LIMITED)          | B-D,<br>J-N,V<br>,Y,Z,<br>AE,AF<br>,AJ,A<br>K<br>AN-AR<br>,AW,A<br>Y,BA,<br>BB,BE<br>,BF<br>BJ,BK<br>,BN,B<br>P,BS,<br>BT,BW<br>,BX      | 1            |
| -770C               | 315T4400-111                 |                     | .SKIN                        | CA-CC<br>,CT-C<br>V,DS,<br>DT  | 1            |

71-11-56

| FIG. & ITEM | PART NO.     | AIRLINE PART NUMBER | NOMENCLATURE        | EFF CODE  | QTY PER ASSY |
|-------------|--------------|---------------------|---------------------|---|--------------|
|             |              |                     | 1234567             |   |              |
| 07-         |              |                     |                     |   |              |
| -775        | 315T3400-272 |                     | .SKIN               | E   | 1            |
| -775A       | 315T3400-272 |                     | .SKIN-<br>(LIMITED) | F,H,Q<br>,R,T,<br>U,W,X<br>,AA,A<br>C,AD<br>AG,AH<br>,AL,A<br>M,A<br>S-AV,<br>AX,AZ<br>BC,BD<br>,BG,B<br>H,BL,<br>BM,BQ<br>,BR<br>BU,BV<br>,BY,B<br>Z | 1            |
| -775B       | 315T4400-112 |                     | .SKIN-<br>(LIMITED) | F,H,Q<br>,R,T,<br>U,W,X<br>,AA,A<br>C,AD<br>AG,AH<br>,AL,A<br>M,A<br>S-AV,<br>AX,AZ<br>BC,BD<br>,BG,B<br>H,BL,<br>BM,BQ<br>,BR<br>BU,BV<br>,BY,B<br>Z | 1            |
| -775C       | 315T4400-112 |                     | .SKIN               | CH-CK<br>,DA-<br>DC,DU<br>,DV   | 1            |

# 71-11-56

 ILLUSTRATED PARTS LIST  
 01.1 Page 1072R  
 Nov 01/04

| FIG. & ITEM | PART NO.     | AIRLINE PART NUMBER | NOMENCLATURE | EFF CODE   | QTY PER ASSY |
|-------------|--------------|---------------------|--------------|--|--------------|
| 07-780      | 315T3400-113 |                     | .SPACER      | A-D,<br>J-N,V<br>,Y,Z,<br>AE,AF<br>,AJ,A<br>K<br>AN-AR<br>,AW,A<br>Y,BA,<br>BB,BE<br>,BF<br>BJ,BK<br>,BN,B<br>P,BS,<br>BT,BW<br>,BX<br>CA-CC<br>,CT-C<br>V,DS,<br>DT                     | 1            |
| 785         | 315T3400-107 |                     | .FILLER      | E,F,H<br>,Q,R,<br>T,U,W<br>,X,AA<br>,AC<br>AD,AG<br>,AH,A<br>L,AM,<br>AS-AV<br>,AX<br>AZ,BC<br>,BD,B<br>G,BH,<br>BL,BM<br>,BQ<br>BR,BU<br>,BV,B<br>Y,BZ,<br>CH-CK<br>DA-DC<br>,DU,D<br>V | 1            |

71-11-56

ILLUSTRATED PARTS LIST  
01.1 Page 1072S  
Nov 01/04

| FIG. & ITEM | PART NO.     | AIRLINE PART NUMBER | NOMENCLATURE<br>1234567 | EFF CODE  | QTY PER ASSY |
|-------------|--------------|---------------------|-------------------------|---|--------------|
| 07-790      | 315T3400-190 |                     | .SPACER                 | E   | 1            |
| -790A       | 315T3400-190 |                     | .SPACER-<br>(LIMITED)   | F,H,Q<br>,R,T,<br>U,W,X<br>,AA,A<br>C,AD<br>AG,AH<br>,AL,A<br>M,A<br>S-AV,<br>AX,AZ<br>BC,BD<br>,BG,B<br>H,BL,<br>BM,BQ<br>,BR<br>BU,BV<br>,BY,B<br>Z | 1            |
| -790B       | 315T4400-86  |                     | .SPACER-<br>(LIMITED)   | F,H,Q<br>,R,T,<br>U,W,X<br>,AA,A<br>C,AD<br>AG,AH<br>,AL,A<br>M,A<br>S-AV,<br>AX,AZ<br>BC,BD<br>,BG,B<br>H,BL,<br>BM,BQ<br>,BR<br>BU,BV<br>,BY,B<br>Z | 1            |
| -790C       | 315T4400-86  |                     | .SPACER                 | CH-CK<br>,DA-<br>DC,DU<br>,DV   | 1            |

# 71-11-56

 ILLUSTRATED PARTS LIST  
 01.1 Page 1072T  
 Nov 01/04

**BOEING**  
COMPONENT  
MAINTENANCE MANUAL

| FIG. & ITEM | PART NO.    | AIRLINE PART NUMBER | NOMENCLATURE                        | EFF CODE   | QTY PER ASSY |
|-------------|-------------|---------------------|-------------------------------------|--|--------------|
| 07-795      | 315T3400-97 |                     | .FILLER                             | A-F,<br>H-N,Q<br>,R,<br>T-AA,<br>AC-CC<br>CH-CK<br>,CT-C<br>V,D<br>A-DC,<br>DS-DV  | 1            |
| 800         | BACR15BA5D  |                     | .RIVET-<br>(SIZE DETERMINE ON INST) | A-D,<br>J-N,V<br>,Y,Z,<br>AE,AF<br>,AJ,A<br>K<br>AN-AR<br>,AW,A<br>Y,BA,<br>BB,BE<br>,BF<br>BJ,BK<br>,BN,B<br>P,BS,<br>BT,BW<br>,BX<br>CA-CC<br>,CT-C<br>V,DS,<br>DT | 18           |

71-11-56

ILLUSTRATED PARTS LIST  
01.1 Page 1072U  
Nov 01/04



| FIG. & ITEM | PART NO.     | AIRLINE PART NUMBER | NOMENCLATURE<br>1234567             | EFF CODE   | QTY PER ASSY |
|-------------|--------------|---------------------|-------------------------------------|--|--------------|
| 07-805      | BACR15BA5D   |                     | .RIVET-<br>(SIZE DETERMINE ON INST) | E, F, H<br>, Q, R,<br>, T, U, W<br>, X, AA<br>, AC<br>, AD, AG<br>, AH, A<br>, L, AM,<br>, AS-AV<br>, AX<br>, AZ, BC<br>, BD, B<br>, G, BH,<br>, BL, BM<br>, BQ<br>, BR, BU<br>, BV, B<br>, Y, BZ,<br>, CH-CK<br>, DA-DC<br>, DU, D<br>, V | 18           |
| 810         | 315T3400-121 |                     | .STRIP-RUB                          | A-D,<br>, J-N, V<br>, Y, Z,<br>, AE, AF<br>, AJ, A<br>, K<br>, AN-AR<br>, AW, A<br>, Y, BA,<br>, BB, BE<br>, BF<br>, BJ, BK<br>, BN, B<br>, P, BS,<br>, BT, BW<br>, BX<br>, CA-CC<br>, CT-C<br>, V, DS,<br>, DT                            | 1            |

# 71-11-56

 ILLUSTRATED PARTS LIST  
 01.1 Page 1072V  
 Nov 01/04

 **BOEING**  
COMPONENT  
MAINTENANCE MANUAL

| FIG. & ITEM         | PART NO.                     | AIRLINE PART NUMBER | NOMENCLATURE                          | EFF CODE   | QTY PER ASSY |
|---------------------|------------------------------|---------------------|---------------------------------------|--|--------------|
|                     |                              |                     | 1234567                               |  |              |
| 07-<br>812<br>-812A | 315T3400-264<br>315T3400-264 |                     | .STRIP-RUB<br>.STRIP-RUB<br>(LIMITED) | A<br>B-D,<br>J-N,V<br>,Y,Z,<br>AE,AF<br>,AJ,A<br>K<br>AN-AR<br>,AW,A<br>Y,BA,<br>BB,BE<br>,BF<br>BJ,BK<br>,BN,B<br>P,BS,<br>BT,BW<br>,BX | 1<br>1       |
| -812B               | 315T4400-87                  |                     | .STRIP-RUB<br>(LIMITED)               | B-D,<br>J-N,V<br>,Y,Z,<br>AE,AF<br>,AJ,A<br>K<br>AN-AR<br>,AW,A<br>Y,BA,<br>BB,BE<br>,BF<br>BJ,BK<br>,BN,B<br>P,BS,<br>BT,BW<br>,BX      | 1            |

71-11-56

ILLUSTRATED PARTS LIST  
01.1 Page 1072W  
Nov 01/04

| FIG. & ITEM  | PART NO.     | AIRLINE PART NUMBER | NOMENCLATURE<br>1234567 | EFF CODE  | QTY PER ASSY |
|--------------|--------------|---------------------|-------------------------|---|--------------|
| 07-<br>-812C | 315T4400-103 |                     | .STRIP-RUB<br>(LIMITED) | B-D,<br>J-N,V<br>,Y,Z,<br>AE,AF<br>,AJ,A<br>K<br>AN-AR<br>,AW,A<br>Y,BA,<br>BB,BE<br>,BF<br>BJ,BK<br>,BN,B<br>P,BS,<br>BT,BW<br>,BX                   | 1            |
| -812D        | 315T4400-103 |                     | .STRIP-RUB              | CA-CC<br>,CT-C<br>V,DS,<br>DT   | 1            |
| -815         | 315T3400-267 |                     | .STRIP-RUB              | E   | 1            |
| -815A        | 315T3400-267 |                     | .STRIP-RUB<br>(LIMITED) | F,H,Q<br>,R,T,<br>U,W,X<br>,AA,A<br>C,AD<br>AG,AH<br>,AL,A<br>M,A<br>S-AV,<br>AX,AZ<br>BC,BD<br>,BG,B<br>H,BL,<br>BM,BQ<br>,BR<br>BU,BV<br>,BY,B<br>Z | 1            |

# 71-11-56

 ILLUSTRATED PARTS LIST  
 01.1 Page 1072X  
 Nov 01/04

**BOEING**  
COMPONENT  
MAINTENANCE MANUAL

| FIG. & ITEM  | PART NO.     | AIRLINE PART NUMBER | NOMENCLATURE<br>1234567 | EFF CODE   | QTY PER ASSY |
|--------------|--------------|---------------------|-------------------------|--|--------------|
| 07-<br>-815B | 315T4400-104 |                     | .STRIP-RUB<br>(LIMITED) | F,H,Q<br>,R,T,<br>U,W,X<br>,AA,A<br>C,AD<br>AG,AH<br>,AL,A<br>M,A<br>S-AV,<br>AX,AZ<br>BC,BD<br>,BG,B<br>H,BL,<br>BM,BQ<br>,BR<br>BU,BV<br>,BY,B<br>Z                | 1            |
| -815C        | 315T4400-104 |                     | .STRIP-RUB              | CH-CK<br>,DA-<br>DC,DU<br>,DV  | 1            |
| 820          | 315T4400-75  |                     | .RIB                    | A-D,<br>J-N,V<br>,Y,Z,<br>AE,AF<br>,AJ,A<br>K<br>AN-AR<br>,AW,A<br>Y,BA,<br>BB,BE<br>,BF<br>BJ,BK<br>,BN,B<br>P,BS,<br>BT,BW<br>,BX<br>CA-CC<br>,CT-C<br>V,DS,<br>DT | 1            |

71-11-56

ILLUSTRATED PARTS LIST  
01.1 Page 1072Y  
Nov 01/04

| FIG. & ITEM | PART NO.    | AIRLINE PART NUMBER | NOMENCLATURE<br>1234567 | EFF CODE  | QTY PER ASSY |
|-------------|-------------|---------------------|-------------------------|---|--------------|
| 07-825      | 315T4400-76 |                     | .RIB-<br>(LIMITED)      | E,F,H<br>,Q,R,<br>T,U,W<br>,X,AA<br>,AC<br>AD,AG<br>,AH,A<br>L,AM,<br>AS-AV<br>,AX<br>AZ,BC<br>,BD,B<br>G,BH,<br>BL,BM<br>,BQ<br>BR,BU<br>,BV,B<br>Y,BZ | 1            |
| -825A       | 315T4400-95 |                     | .RIB-<br>(LIMITED)      | E,F,H<br>,Q,R,<br>T,U,W<br>,X,AA<br>,AC<br>AD,AG<br>,AH,A<br>L,AM,<br>AS-AV<br>,AX<br>AZ,BC<br>,BD,B<br>G,BH,<br>BL,BM<br>,BQ<br>BR,BU<br>,BV,B<br>Y,BZ | 1            |

# 71-11-56

 ILLUSTRATED PARTS LIST  
 01.1 Page 1072Z  
 Nov 01/04

**BOEING**  
COMPONENT  
MAINTENANCE MANUAL

| FIG. & ITEM  | PART NO.     | AIRLINE PART NUMBER | NOMENCLATURE<br>1234567             | EFF CODE  | QTY PER ASSY |
|--------------|--------------|---------------------|-------------------------------------|---|--------------|
| 07-<br>-825B | 315T4400-102 |                     | .RIB-<br>(LIMITED)                  | E,F,H<br>,Q,R,<br>T,U,W<br>,X,AA<br>,AC<br>AD,AG<br>,AH,A<br>L,AM,<br>AS-AV<br>,AX<br>AZ,BC<br>,BD,B<br>G,BH,<br>BL,BM<br>,BQ<br>BR,BU<br>,BV,B<br>Y,BZ | 1            |
| -825C        | 315T4400-102 |                     | .RIB                                | CH-CK<br>,DA-<br>DC,DU<br>,DV   | 1            |
| 830          | BACR15FT5D   |                     | .RIVET-<br>(SIZE DETERMINE ON INST) | A-F,<br>H-N,Q<br>,R,<br>T-AA,<br>AC-CC<br>CH-CK<br>,CT-C<br>V,D<br>A-DC,<br>DS-DV   | 10           |

71-11-56

| FIG. & ITEM | PART NO.    | AIRLINE PART NUMBER | NOMENCLATURE   | EFF CODE  | QTY PER ASSY |
|-------------|-------------|---------------------|--|---|--------------|
| 07-835      | BACB30MY5K4 |                     | .BOLT  | A-F,<br>H-N,Q<br>,R,<br>T-AA,<br>AC-CC<br>CH-CK<br>,CT-C<br>V,D<br>A-DC,<br>DS-DV | 4            |
| 840         | BACB30MY5K3 |                     | .BOLT  | A-F,<br>H-N,Q<br>,R,<br>T-AA,<br>AC-CC<br>CH-CK<br>,CT-C<br>V,D<br>A-DC,<br>DS-DV | 5            |
| 845         | HL70-5      |                     | .COLLAR-<br>(V5M902)<br>(SPEC BACC30M5)<br>(OPT HL70-5<br>(V73197))<br>(OPT HL70-5<br>(V92215))<br>(OPT 66014-5<br>(V56878))<br>(OPT HL70-5<br>(V56878)) | A-F,<br>H-N,Q<br>,R,<br>T-AA,<br>AC-CC<br>CH-CK<br>,CT-C<br>V,D<br>A-DC,<br>DS-DV | 9            |

# 71-11-56

 ILLUSTRATED PARTS LIST  
 01.1 Page 1074  
 Nov 01/04

**BOEING**  
COMPONENT  
MAINTENANCE MANUAL

| FIG. & ITEM | PART NO.    | AIRLINE PART NUMBER | NOMENCLATURE | EFF CODE   | QTY PER ASSY |
|-------------|-------------|---------------------|--------------|--|--------------|
| 07-850      | 315T4400-35 |                     | .ANGLE       | A-D,<br>J-N,V<br>,Y,Z,<br>AE,AF<br>,AJ,A<br>K<br>AN-AR<br>,AW,A<br>Y,BA,<br>BB,BE<br>,BF<br>BJ,BK<br>,BN,B<br>P,BS,<br>BT,BW<br>,BX<br>CA-CC<br>,CT-C<br>V,DS,<br>DT                     | 1            |
| -855        | 315T4400-36 |                     | .ANGLE       | E,F,H<br>,Q,R,<br>T,U,W<br>,X,AA<br>,AC<br>AD,AG<br>,AH,A<br>L,AM,<br>AS-AV<br>,AX<br>AZ,BC<br>,BD,B<br>G,BH,<br>BL,BM<br>,BQ<br>BR,BU<br>,BV,B<br>Y,BZ,<br>CH-CK<br>DA-DC<br>,DU,D<br>V | 1            |

71-11-56

ILLUSTRATED PARTS LIST  
01.1 Page 1074A  
Nov 01/04



| FIG. & ITEM | PART NO.    | AIRLINE PART NUMBER | NOMENCLATURE | EFF CODE   | QTY PER ASSY |
|-------------|-------------|---------------------|--------------|--|--------------|
| 07-860      | 315T4400-37 |                     | .ANGLE       | A-D,<br>J-N,V<br>,Y,Z,<br>AE,AF<br>,AJ,A<br>K<br>AN-AR<br>,AW,A<br>Y,BA,<br>BB,BE<br>,BF<br>BJ,BK<br>,BN,B<br>P,BS,<br>BT,BW<br>,BX<br>CA-CC<br>,CT-C<br>V,DS,<br>DT<br>E,F,H<br>,Q,R,<br>T,U,W<br>,X,AA<br>,AC<br>AD,AG<br>,AH,A<br>L,AM,<br>AS-AV<br>,AX<br>AZ,BC<br>,BD,B<br>G,BH,<br>BL,BM<br>,BQ<br>BR,BU<br>,BV,B<br>Y,BZ,<br>CH-CK<br>DA-DC<br>,DU,D<br>V | 1            |
| -865        | 315T4400-38 |                     | .ANGLE       |  | 1            |

# 71-11-56

 ILLUSTRATED PARTS LIST  
 01.1 Page 1074B  
 Nov 01/04

**BOEING**  
COMPONENT  
MAINTENANCE MANUAL

| FIG. & ITEM | PART NO.    | AIRLINE PART NUMBER | NOMENCLATURE | EFF CODE   | QTY PER ASSY |
|-------------|-------------|---------------------|--------------|--|--------------|
| 07-870      | 315T4400-39 |                     | .INTERCOSTAL | A-D,<br>J-N,V<br>,Y,Z,<br>AE,AF<br>,AJ,A<br>K<br>AN-AR<br>,AW,A<br>Y,BA,<br>BB,BE<br>,BF<br>BJ,BK<br>,BN,B<br>P,BS,<br>BT,BW<br>,BX<br>CA-CC<br>,CT-C<br>V,DS,<br>DT                     | 1            |
| -875        | 315T4400-40 |                     | .INTERCOSTAL | E,F,H<br>,Q,R,<br>T,U,W<br>,X,AA<br>,AC<br>AD,AG<br>,AH,A<br>L,AM,<br>AS-AV<br>,AX<br>AZ,BC<br>,BD,B<br>G,BH,<br>BL,BM<br>,BQ<br>BR,BU<br>,BV,B<br>Y,BZ,<br>CH-CK<br>DA-DC<br>,DU,D<br>V | 1            |

71-11-56

ILLUSTRATED PARTS LIST  
01.1 Page 1074C  
Nov 01/04

| FIG. & ITEM | PART NO.    | AIRLINE PART NUMBER | NOMENCLATURE | EFF CODE   | QTY PER ASSY |
|-------------|-------------|---------------------|--------------|--|--------------|
| 07-880      | 315T4400-73 |                     | .ANGLE       | A-D,<br>J-N,V<br>,Y,Z,<br>AE,AF<br>,AJ,A<br>K<br>AN-AR<br>,AW,A<br>Y,BA,<br>BB,BE<br>,BF<br>BJ,BK<br>,BN,B<br>P,BS,<br>BT,BW<br>,BX<br>CA-CC<br>,CT-C<br>V,DS,<br>DT<br>E,F,H<br>,Q,R,<br>T,U,W<br>,X,AA<br>,AC<br>AD,AG<br>,AH,A<br>L,AM,<br>AS-AV<br>,AX<br>AZ,BC<br>,BD,B<br>G,BH,<br>BL,BM<br>,BQ<br>BR,BU<br>,BV,B<br>Y,BZ,<br>CH-CK<br>DA-DC<br>,DU,D<br>V | 1            |
| -885        | 315T4400-74 |                     | .ANGLE       |  | 1            |

# 71-11-56

 ILLUSTRATED PARTS LIST  
 01.1 Page 1074D  
 Nov 01/04

| FIG. & ITEM | PART NO.    | AIRLINE PART NUMBER | NOMENCLATURE | EFF CODE   | QTY PER ASSY |
|-------------|-------------|---------------------|--------------|--|--------------|
| 07-890      | 315T4400-31 |                     | .ANGLE       | A-D,<br>J-N,V<br>,Y,Z,<br>AE,AF<br>,AJ,A<br>K<br>AN-AR<br>,AW,A<br>Y,BA,<br>BB,BE<br>,BF<br>BJ,BK<br>,BN,B<br>P,BS,<br>BT,BW<br>,BX<br>CA-CC<br>,CT-C<br>V,DS,<br>DT                     | 1            |
| -895        | 315T4400-32 |                     | .ANGLE       | E,F,H<br>,Q,R,<br>T,U,W<br>,X,AA<br>,AC<br>AD,AG<br>,AH,A<br>L,AM,<br>AS-AV<br>,AX<br>AZ,BC<br>,BD,B<br>G,BH,<br>BL,BM<br>,BQ<br>BR,BU<br>,BV,B<br>Y,BZ,<br>CH-CK<br>DA-DC<br>,DU,D<br>V | 1            |

71-11-56

| FIG. & ITEM | PART NO.    | AIRLINE PART NUMBER | NOMENCLATURE | EFF CODE   | QTY PER ASSY |
|-------------|-------------|---------------------|--------------|--|--------------|
| 07-900      | 315T4400-29 |                     | .INTERCOSTAL | A-D,<br>J-N,V<br>,Y,Z,<br>AE,AF<br>,AJ,A<br>K<br>AN-AR<br>,AW,A<br>Y,BA,<br>BB,BE<br>,BF<br>BJ,BK<br>,BN,B<br>P,BS,<br>BT,BW<br>,BX<br>CA-CC<br>,CT-C<br>V,DS,<br>DT<br>E,F,H<br>,Q,R,<br>T,U,W<br>,X,AA<br>,AC<br>AD,AG<br>,AH,A<br>L,AM,<br>AS-AV<br>,AX<br>AZ,BC<br>,BD,B<br>G,BH,<br>BL,BM<br>,BQ<br>BR,BU<br>,BV,B<br>Y,BZ,<br>CH-CK<br>DA-DC<br>,DU,D<br>V | 1            |
| -905        | 315T4400-30 |                     | .INTERCOSTAL |  | 1            |

# 71-11-56

 ILLUSTRATED PARTS LIST  
 01.1 Page 1074F  
 Nov 01/04

**BOEING**  
COMPONENT  
MAINTENANCE MANUAL

| FIG. & ITEM | PART NO.     | AIRLINE PART NUMBER | NOMENCLATURE                | EFF CODE  | QTY PER ASSY |
|-------------|--------------|---------------------|-----------------------------|---|--------------|
| 07-910      | 315T4400-27  |                     | . INTERCOSTAL               | A   | 1            |
| -910A       | 315T4400-27  |                     | . INTERCOSTAL-<br>(LIMITED) | B-D,<br>J-N,V<br>,Y,Z,<br>AE,AF<br>,AJ,A<br>K<br>AN-AR<br>,AW,A<br>Y,BA,<br>BB,BE<br>,BF<br>BJ,BK<br>,BN,B<br>P,BS,<br>BT,BW<br>,BX | 1            |
| -910B       | 315T4400-109 |                     | . INTERCOSTAL-<br>(LIMITED) | B-D,<br>J-N,V<br>,Y,Z,<br>AE,AF<br>,AJ,A<br>K<br>AN-AR<br>,AW,A<br>Y,BA,<br>BB,BE<br>,BF<br>BJ,BK<br>,BN,B<br>P,BS,<br>BT,BW<br>,BX | 1            |

71-11-56

ILLUSTRATED PARTS LIST  
01.1 Page 1074G  
Nov 01/04

| FIG. & ITEM  | PART NO.     | AIRLINE PART NUMBER | NOMENCLATURE<br>1234567     | EFF CODE  | QTY PER ASSY |
|--------------|--------------|---------------------|-----------------------------|---|--------------|
| 07-<br>-910C | 315T4400-89  |                     | . INTERCOSTAL-<br>(LIMITED) | B-D,<br>J-N,V<br>,Y,Z,<br>AE,AF<br>,AJ,A<br>K<br>AN-AR<br>,AW,A<br>Y,BA,<br>BB,BE<br>,BF<br>BJ,BK<br>,BN,B<br>P,BS,<br>BT,BW<br>,BX                   | 1            |
| -910D        | 315T4400-109 |                     | . INTERCOSTAL               | CA-CC<br>,CT-C<br>V,DS,<br>DT   | 1            |
| -915         | 315T4400-28  |                     | . INTERCOSTAL               | E   | 1            |
| -915A        | 315T4400-28  |                     | . INTERCOSTAL-<br>(LIMITED) | F,H,Q<br>,R,T,<br>U,W,X<br>,AA,A<br>C,AD<br>AG,AH<br>,AL,A<br>M,A<br>S-AV,<br>AX,AZ<br>BC,BD<br>,BG,B<br>H,BL,<br>BM,BQ<br>,BR<br>BU,BV<br>,BY,B<br>Z | 1            |

# 71-11-56

 ILLUSTRATED PARTS LIST  
 01.1 Page 1074H  
 Nov 01/04

 **BOEING**  
COMPONENT  
MAINTENANCE MANUAL

| FIG. & ITEM  | PART NO.     | AIRLINE PART NUMBER | NOMENCLATURE<br>1234567     | EFF CODE  | QTY PER ASSY |
|--------------|--------------|---------------------|-----------------------------|---|--------------|
| 07-<br>-915B | 315T4400-110 |                     | . INTERCOSTAL-<br>(LIMITED) | F,H,Q<br>,R,T,<br>U,W,X<br>,AA,A<br>C,AD<br>AG,AH<br>,AL,A<br>M,A<br>S-AV,<br>AX,AZ<br>BC,BD<br>,BG,B<br>H,BL,<br>BM,BQ<br>,BR<br>BU,BV<br>,BY,B<br>Z | 1            |
| -915C        | 315T4400-90  |                     | . INTERCOSTAL-<br>(LIMITED) | F,H,Q<br>,R,T,<br>U,W,X<br>,AA,A<br>C,AD<br>AG,AH<br>,AL,A<br>M,A<br>S-AV,<br>AX,AZ<br>BC,BD<br>,BG,B<br>H,BL,<br>BM,BQ<br>,BR<br>BU,BV<br>,BY,B<br>Z | 1            |

71-11-56

ILLUSTRATED PARTS LIST

01.1 Page 1074I

Nov 01/04



| FIG. & ITEM  | PART NO.        | AIRLINE PART NUMBER | NOMENCLATURE<br>1234567 | EFF CODE  | QTY PER ASSY |
|--------------|-----------------|---------------------|-------------------------|---|--------------|
| 07-<br>-915D | 315T4400-110    |                     | . INTERCOSTAL           | CH-CK<br>,DA-<br>DC,DU<br>,DV   | 1            |
| 920          | BACS40R007C012F |                     | . SHIM                  | A-F,<br>H-N,Q<br>,R,<br>T-AA,<br>AC-CC<br>CH-CK<br>,CT-C<br>V,D<br>A-DC,<br>DS-DV | 1            |
| 925          | BACS40R007C010F |                     | . SHIM                  | A-F,<br>H-N,Q<br>,R,<br>T-AA,<br>AC-CC<br>CH-CK<br>,CT-C<br>V,D<br>A-DC,<br>DS-DV | 1            |
| 930          | BACF3T01G7-7    |                     | . FILLER                | A-F,<br>H-N,Q<br>,R,<br>T-AA,<br>AC-CC<br>CH-CK<br>,CT-C<br>V,D<br>A-DC,<br>DS-DV | 2            |

# 71-11-56

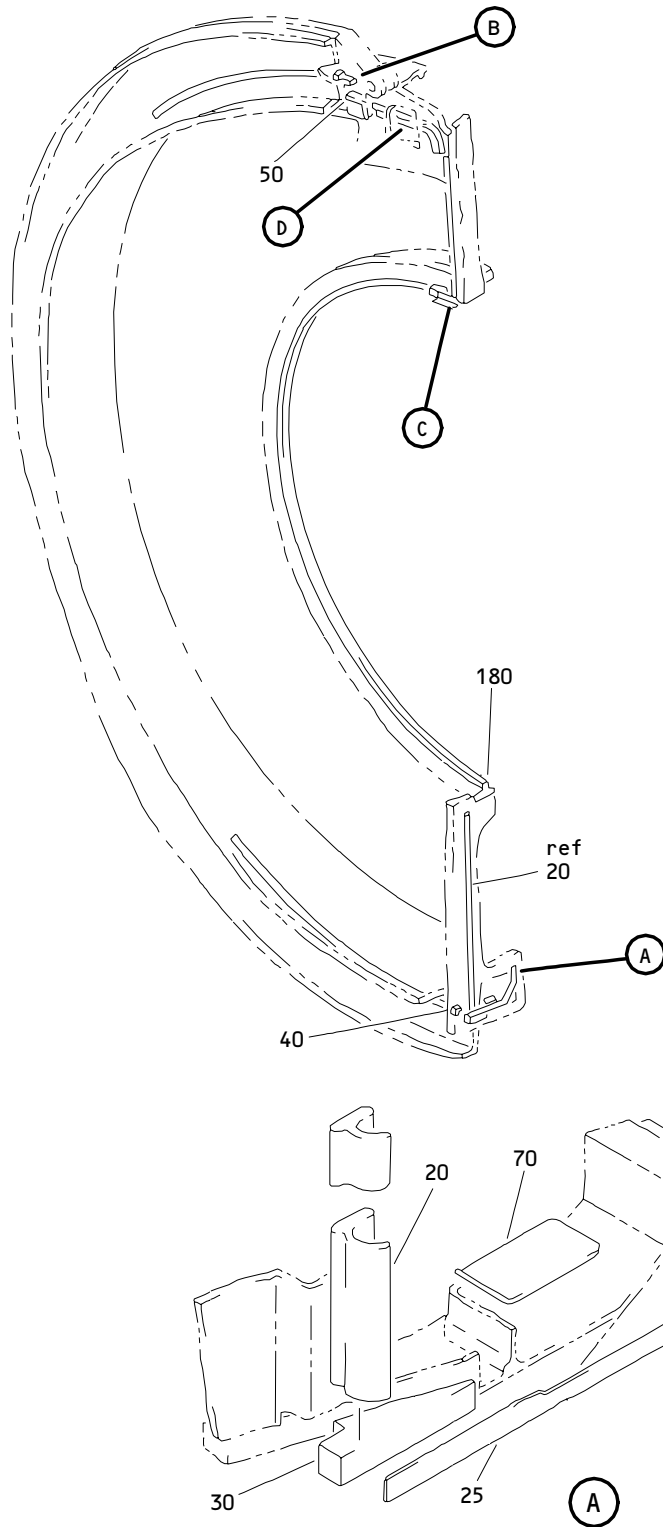
 ILLUSTRATED PARTS LIST  
 01.1 Page 1074J  
 Nov 01/04

| FIG. & ITEM | PART NO.     | AIRLINE PART NUMBER | NOMENCLATURE | EFF CODE  | QTY PER ASSY |
|-------------|--------------|---------------------|--------------|---|--------------|
| 07-935      | BACF3T01G6-7 |                     | .FILLER      | A-F,<br>H-N,Q<br>,R,<br>T-AA,<br>AC-CC<br>CH-CK<br>,CT-C<br>V,D<br>A-DC,<br>DS-DV | 1            |
| 940         | BAC27TTR0035 |                     | .DECAL       | A-F,<br>H-N,Q<br>,R,<br>T-AA,<br>AC-CC<br>CH-CK<br>,CT-C<br>V,D<br>A-DC,<br>DS-DV | 1            |

- Item Not Illustrated

**71-11-56**

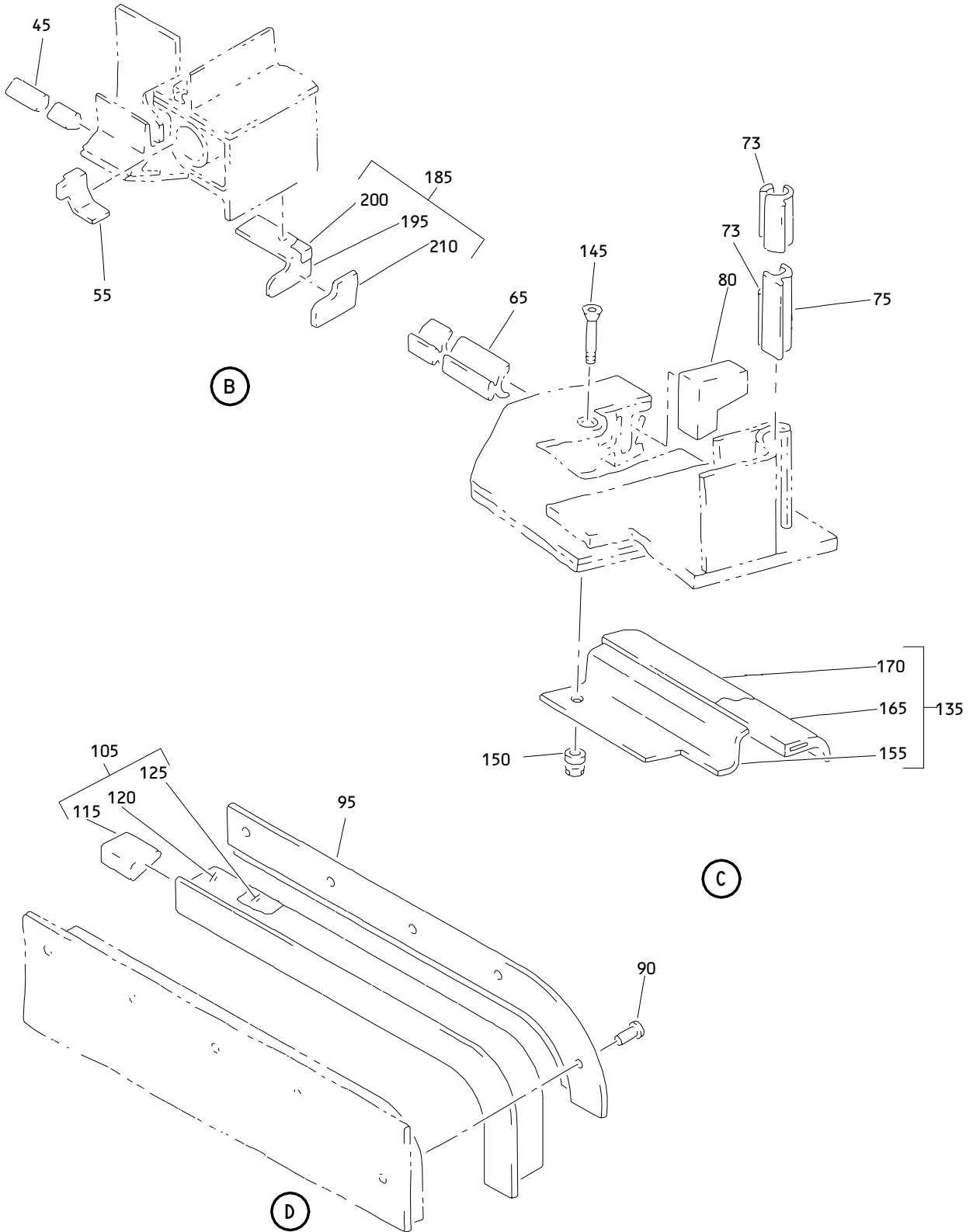
ILLUSTRATED PARTS LIST  
01.1 Page 1074K  
Nov 01/04



Thrust Reverser Fan Duct Aerodynamic Seal Installation  
Figure 8 (Sheet 1)

**71-11-56**

ILLUSTRATED PARTS LIST  
01.1 Page 1074M  
Nov 01/04



**Thrust Reverser Fan Duct Aerodynamic Seal Installation**  
**Figure 8 (Sheet 2)**

**71-11-56**

ILLUSTRATED PARTS LIST  
 01.1 Page 1074N  
 Nov 01/04

 **BOEING**  
COMPONENT  
MAINTENANCE MANUAL

| FIG. & ITEM | PART NO.    | AIRLINE PART NUMBER | NOMENCLATURE  | EFF CODE  | QTY PER ASSY |
|-------------|-------------|---------------------|---|---|--------------|
| 08-<br>-1   | 315T3240-11 |                     | 1234567<br>SEAL INSTL-THRUST REVERSER<br>FAN DUCT AERODYN | A-D,<br>J-N,V<br>,Y,Z,<br>AE,AF<br>,AJ,A<br>K<br>AN-AR<br>,AW,A<br>Y,BA,<br>BB,BE<br>,BF<br>BJ,BK<br>,BN,B<br>P,BS,<br>BT,BW<br>,BX                     | RF           |
| -5          | 315T3240-12 |                     | SEAL INSTL-THRUST REVERSER<br>FAN DUCT AERODYN            | E,F,H<br>,Q,R,<br>T,U,W<br>,X,AA<br>,AC<br>AD,AG<br>,AH,A<br>L,AM,<br>AS-AV<br>,AX<br>AZ,BC<br>,BD,B<br>G,BH,<br>BL,BM<br>,BQ<br>BR,BU<br>,BV,B<br>Y,BZ | RF           |

71-11-56

ILLUSTRATED PARTS LIST  
01.1 Page 10740  
Nov 01/04

| FIG. & ITEM | PART NO.      | AIRLINE PART NUMBER | NOMENCLATURE<br>1234567   | EFF CODE  | QTY PER ASSY |
|-------------|---------------|---------------------|---------------------------|---|--------------|
| 08-<br>-10  | 315T3240-5011 |                     | .SEAL INSTL-<br>(LIMITED) | A-D,<br>J-N,V<br>,Y,Z,<br>AE,AF<br>,AJ,A<br>K<br>AN-AR<br>,AW,A<br>Y,BA,<br>BB,BE<br>,BF<br>BJ,BK<br>,BN,B<br>P,BS,<br>BT,BW<br>,BX | 1            |
| -10A        | 315T3240-5015 |                     | .SEAL INSTL-<br>(LIMITED) | A-D,<br>J-N,V<br>,Y,Z,<br>AE,AF<br>,AJ,A<br>K<br>AN-AR<br>,AW,A<br>Y,BA,<br>BB,BE<br>,BF<br>BJ,BK<br>,BN,B<br>P,BS,<br>BT,BW<br>,BX | 1            |

# 71-11-56

 ILLUSTRATED PARTS LIST  
 01.1 Page 1074P  
 Nov 01/04

 **BOEING**  
COMPONENT  
MAINTENANCE MANUAL

| FIG. & ITEM | PART NO.      | AIRLINE PART NUMBER | NOMENCLATURE                         | EFF CODE  | QTY PER ASSY |
|-------------|---------------|---------------------|--------------------------------------|---|--------------|
| 08-<br>-10B | 315T3240-5016 |                     | 1234567<br>.SEAL INSTL-<br>(LIMITED) | A-D,<br>J-N,V<br>,Y,Z,<br>AE,AF<br>,AJ,A<br>K<br>AN-AR<br>,AW,A<br>Y,BA,<br>BB,BE<br>,BF<br>BJ,BK<br>,BN,B<br>P,BS,<br>BT,BW<br>,BX                     | 1            |
| -15         | 315T3240-5012 |                     | .SEAL INSTL-<br>(LIMITED)            | E,F,H<br>,Q,R,<br>T,U,W<br>,X,AA<br>,AC<br>AD,AG<br>,AH,A<br>L,AM,<br>AS-AV<br>,AX<br>AZ,BC<br>,BD,B<br>G,BH,<br>BL,BM<br>,BQ<br>BR,BU<br>,BV,B<br>Y,BZ | 1            |

71-11-56

ILLUSTRATED PARTS LIST  
01.1 Page 1074Q  
Nov 01/04

| FIG. & ITEM | PART NO.      | AIRLINE PART NUMBER | NOMENCLATURE<br>1234567   | EFF CODE  | QTY PER ASSY |
|-------------|---------------|---------------------|---------------------------|---|--------------|
| 08-<br>-15A | 315T3240-5014 |                     | .SEAL INSTL-<br>(LIMITED) | E,F,H<br>,Q,R,<br>T,U,W<br>,X,AA<br>,AC<br>AD,AG<br>,AH,A<br>L,AM,<br>AS-AV<br>,AX<br>AZ,BC<br>,BD,B<br>G,BH,<br>BL,BM<br>,BQ<br>BR,BU<br>,BV,B<br>Y,BZ | 1            |
| 20          | 315T3240-13   |                     | ..SEAL                    | A-D,<br>J-N,V<br>,Y,Z,<br>AE,AF<br>,AJ,A<br>K<br>AN-AR<br>,AW,A<br>Y,BA,<br>BB,BE<br>,BF<br>BJ,BK<br>,BN,B<br>P,BS,<br>BT,BW<br>,BX                     | 1            |

# 71-11-56

 ILLUSTRATED PARTS LIST  
 01.1 Page 1074R  
 Nov 01/04



| FIG. & ITEM | PART NO.    | AIRLINE PART NUMBER | NOMENCLATURE      | EFF CODE  | QTY PER ASSY |
|-------------|-------------|---------------------|-------------------|---|--------------|
| 08-25       | 315T3241-16 |                     | 1234567<br>..SEAL | A-D,<br>J-N,V<br>,Y,Z,<br>AE,AF<br>,AJ,A<br>K<br>AN-AR<br>,AW,A<br>Y,BA,<br>BB,BE<br>,BF<br>BJ,BK<br>,BN,B<br>P,BS,<br>BT,BW<br>,BX | 1            |
| 30          | 315T3241-15 |                     | ..SEAL            | A-D,<br>J-N,V<br>,Y,Z,<br>AE,AF<br>,AJ,A<br>K<br>AN-AR<br>,AW,A<br>Y,BA,<br>BB,BE<br>,BF<br>BJ,BK<br>,BN,B<br>P,BS,<br>BT,BW<br>,BX | 1            |

71-11-56

ILLUSTRATED PARTS LIST  
01.1 Page 1074S  
Nov 01/04

| FIG. & ITEM | PART NO.    | AIRLINE PART NUMBER | NOMENCLATURE<br>1234567 | EFF CODE  | QTY PER ASSY |
|-------------|-------------|---------------------|-------------------------|---|--------------|
| 08-35       | 315T3241-51 |                     | ..SEAL                  | E, F, H<br>, Q, R,<br>, T, U, W<br>, X, AA<br>, AC<br>, AD, AG<br>, AH, A<br>, L, AM,<br>, AS-AV<br>, AX<br>, AZ, BC<br>, BD, B<br>, G, BH,<br>, BL, BM<br>, BQ<br>, BR, BU<br>, BV, B<br>, Y, BZ | 1            |
| 40          | 315T3241-52 |                     | ..SEAL                  | A-D,<br>, J-N, V<br>, Y, Z,<br>, AE, AF<br>, AJ, A<br>, K<br>, AN-AR<br>, AW, A<br>, Y, BA,<br>, BB, BE<br>, BF<br>, BJ, BK<br>, BN, B<br>, P, BS,<br>, BT, BW<br>, BX                            | 1            |

# 71-11-56

 ILLUSTRATED PARTS LIST  
 01.1 Page 1074T  
 Nov 01/04

| FIG. & ITEM | PART NO.    | AIRLINE PART NUMBER | NOMENCLATURE<br>1234567                     | EFF CODE  | QTY PER ASSY |
|-------------|-------------|---------------------|---|---|--------------|
| 08-45       | 315T3240-7  |                     | ..SEAL                                      | A-F,<br>H-N,Q<br>,R,<br>T-AA,<br>AC-BZ  | 1            |
| 50          | 315T3241-48 |                     | ..SEAL-<br>(USED ON ITEMS 10, 15)           | A-F,<br>H-N,Q<br>,R,<br>T-AA,<br>AC-BZ  | 1            |
| -50A        | 315T3241-55 |                     | ..SEAL-<br>(USED ON ITEMS 10A, 10B,<br>15A) | A-F,<br>H-N,Q<br>,R,<br>T-AA,<br>AC-BZ  | 1            |
| 55          | 315T3241-49 |                     | ..SEAL                                      | A-D,<br>J-N,V<br>,Y,Z,<br>AE,AF<br>,AJ,A<br>K<br>AN-AR<br>,AW,A<br>Y,BA,<br>BB,BE<br>,BF<br>BJ,BK<br>,BN,B<br>P,BS,<br>BT,BW<br>,BX | 1            |

71-11-56

ILLUSTRATED PARTS LIST  
01.1 Page 1074U  
Nov 01/04

| FIG. & ITEM | PART NO.    | AIRLINE PART NUMBER | NOMENCLATURE<br>1234567 | EFF CODE  | QTY PER ASSY |
|-------------|-------------|---------------------|-------------------------|---|--------------|
| 08-60       | 315T3241-50 |                     | ..SEAL                  | E, F, H<br>, Q, R,<br>T, U, W<br>, X, AA<br>, AC<br>AD, AG<br>, AH, A<br>L, AM,<br>AS-AV<br>, AX<br>AZ, BC<br>, BD, B<br>G, BH,<br>BL, BM<br>, BQ<br>BR, BU<br>, BV, B<br>Y, BZ | 1            |
| 65          | 315T3240-8  |                     | ..SEAL                  | A-F,<br>H-N, Q<br>, R,<br>T-AA,<br>AC-BZ  | 1            |
| 70          | 315T3240-6  |                     | ..COVER                 | A-D,<br>J-N, V<br>, Y, Z,<br>AE, AF<br>, AJ, A<br>K<br>AN-AR<br>, AW, A<br>Y, BA,<br>BB, BE<br>, BF<br>BJ, BK<br>, BN, B<br>P, BS,<br>BT, BW<br>, BX                            | 1            |

# 71-11-56

 ILLUSTRATED PARTS LIST  
 01.1 Page 1074V  
 Nov 01/04

**BOEING**  
COMPONENT  
MAINTENANCE MANUAL

| FIG. & ITEM | PART NO.    | AIRLINE PART NUMBER | NOMENCLATURE<br>1234567 | EFF CODE  | QTY PER ASSY |
|-------------|-------------|---------------------|-------------------------|---|--------------|
| 08-73       | 315T3240-16 |                     | ..PLUG                  | A-F,<br>H-N,Q<br>,R,<br>T-AA,<br>AC-BZ  | 2            |
| 75          | 315T3240-3  |                     | ..SEAL                  | A-F,<br>H-N,Q<br>,R,<br>T-AA,<br>AC-BZ  | 1            |
| 80          | 315T3241-17 |                     | ..SEAL                  | A-D,<br>J-N,V<br>,Y,Z,<br>AE,AF<br>,AJ,A<br>K<br>AN-AR<br>,AW,A<br>Y,BA,<br>BB,BE<br>,BF<br>BJ,BK<br>,BN,B<br>P,BS,<br>BT,BW<br>,BX                     | 1            |
| -85         | 315T3241-18 |                     | ..SEAL                  | E,F,H<br>,Q,R,<br>T,U,W<br>,X,AA<br>,AC<br>AD,AG<br>,AH,A<br>L,AM,<br>AS-AV<br>,AX<br>AZ,BC<br>,BD,B<br>G,BH,<br>BL,BM<br>,BQ<br>BR,BU<br>,BV,B<br>Y,BZ | 1            |

71-11-56

ILLUSTRATED PARTS LIST  
01.1 Page 1074W  
Nov 01/04

| FIG. & ITEM | PART NO.    | AIRLINE PART NUMBER | NOMENCLATURE<br>1234567              | EFF CODE  | QTY PER ASSY |
|-------------|-------------|---------------------|--------------------------------------|---|--------------|
| 08-90       | BACR15BB5AD |                     | ..RIVET-<br>(SIZE DETERMINE ON INST) | A-F,<br>H-N,Q<br>,R,<br>T-AA,<br>AC-BZ  | 5            |
| 95          | 315T3241-1  |                     | ..RETAINER                           | A-D,<br>J-N,V<br>,Y,Z,<br>AE,AF<br>,AJ,A<br>K<br>AN-AR<br>,AW,A<br>Y,BA,<br>BB,BE<br>,BF<br>BJ,BK<br>,BN,B<br>P,BS,<br>BT,BW<br>,BX                     | 1            |
| -100        | 315T3241-2  |                     | ..RETAINER                           | E,F,H<br>,Q,R,<br>T,U,W<br>,X,AA<br>,AC<br>AD,AG<br>,AH,A<br>L,AM,<br>AS-AV<br>,AX<br>AZ,BC<br>,BD,B<br>G,BH,<br>BL,BM<br>,BQ<br>BR,BU<br>,BV,B<br>Y,BZ | 1            |

# 71-11-56

 ILLUSTRATED PARTS LIST  
 01.1 Page 1074X  
 Nov 01/04

 **BOEING**  
COMPONENT  
MAINTENANCE MANUAL

| FIG. & ITEM | PART NO.    | AIRLINE PART NUMBER | NOMENCLATURE           | EFF CODE  | QTY PER ASSY |
|-------------|-------------|---------------------|------------------------|---|--------------|
| 08-105      | 315T3241-3  |                     | 1234567<br>..SEAL ASSY | A-D,<br>J-N,V<br>,Y,Z,<br>AE,AF<br>,AJ,A<br>K<br>AN-AR<br>,AW,A<br>Y,BA,<br>BB,BE<br>,BF<br>BJ,BK<br>,BN,B<br>P,BS,<br>BT,BW<br>,BX                     | 1            |
| -110        | 315T3241-4  |                     | ..SEAL ASSY            | E,F,H<br>,Q,R,<br>T,U,W<br>,X,AA<br>,AC<br>AD,AG<br>,AH,A<br>L,AM,<br>AS-AV<br>,AX<br>AZ,BC<br>,BD,B<br>G,BH,<br>BL,BM<br>,BQ<br>BR,BU<br>,BV,B<br>Y,BZ | 1            |
| 115         | 315T3241-20 |                     | ...PLUG                | A-F,<br>H-N,Q<br>,R,<br>T-AA,<br>AC-BZ  | 1            |

**71-11-56**

ILLUSTRATED PARTS LIST  
01.1 Page 1074Y  
Nov 01/04

| FIG. & ITEM | PART NO.    | AIRLINE PART NUMBER | NOMENCLATURE<br>1234567 | EFF CODE  | QTY PER ASSY |
|-------------|-------------|---------------------|-------------------------|---|--------------|
| 08-120      | 315T3241-26 |                     | ...COVER                | A-F,<br>H-N,Q<br>R,<br>T-AA,<br>AC-BZ   | 1            |
| 125         | 315T3241-21 |                     | ...SEAL                 | A-D,<br>J-N,V<br>Y,Z,<br>AE,AF<br>AJ,A<br>K<br>AN-AR<br>AW,A<br>Y,BA,<br>BB,BE<br>BF<br>BJ,BK<br>BN,B<br>P,BS,<br>BT,BW<br>BX                   | 1            |
| -130        | 315T3241-22 |                     | ...SEAL                 | E,F,H<br>Q,R,<br>T,U,W<br>X,AA<br>AC<br>AD,AG<br>AH,A<br>L,AM,<br>AS-AV<br>AX<br>AZ,BC<br>BD,B<br>G,BH,<br>BL,BM<br>BQ<br>BR,BU<br>BV,B<br>Y,BZ | 1            |

# 71-11-56

 ILLUSTRATED PARTS LIST  
 01.1 Page 1074Z  
 Nov 01/04



**BOEING**  
COMPONENT  
MAINTENANCE MANUAL

| FIG. & ITEM | PART NO.    | AIRLINE PART NUMBER | NOMENCLATURE           | EFF CODE  | QTY PER ASSY |
|-------------|-------------|---------------------|------------------------|---|--------------|
| 08-135      | 315T3241-41 |                     | 1234567<br>..SEAL ASSY | A-D,<br>J-N,V<br>,Y,Z,<br>AE,AF<br>,AJ,A<br>K<br>AN-AR<br>,AW,A<br>Y,BA,<br>BB,BE<br>,BF<br>BJ,BK<br>,BN,B<br>P,BS,<br>BT,BW<br>,BX                     | 1            |
| -140        | 315T3241-42 |                     | ..SEAL ASSY            | E,F,H<br>,Q,R,<br>T,U,W<br>,X,AA<br>,AC<br>AD,AG<br>,AH,A<br>L,AM,<br>AS-AV<br>,AX<br>AZ,BC<br>,BD,B<br>G,BH,<br>BL,BM<br>,BQ<br>BR,BU<br>,BV,B<br>Y,BZ | 1            |
|             |             |                     | ATTACHING PARTS        |   |              |

71-11-56

ILLUSTRATED PARTS LIST  
01.1 Page 1075  
Nov 01/04

| FIG. & ITEM | PART NO.    | AIRLINE PART NUMBER | NOMENCLATURE<br>1234567   | EFF CODE                              | QTY PER ASSY |
|-------------|-------------|---------------------|---|---------------------------------------|--------------|
| 08-145      | HL523AZ5-18 |                     | ..BOLT-<br>(V56878)<br>(SPEC BACB30NZ5K18)<br>(OPT L804-5K18<br>(V06725))<br>(OPT HL523AZ5-18<br>(V92215))<br>(OPT HL523AZ5-18<br>(V0PTK6))<br>(OPT HL523AZ5-18<br>(V73197))<br>(OPT HL523AZ5-18<br>(V97928))<br>(OPT HL523AZ5-18<br>(V06725))<br>(OPT HL523AZ5-18<br>(V60516)) | A-F,<br>H-N,Q<br>R,<br>T-AA,<br>AC-BZ | 1            |
| 150         | HL70-5      |                     | ..COLLAR-<br>(V5M902)<br>(SPEC BACC30M5)<br>(OPT HL70-5<br>(V73197))<br>(OPT HL70-5<br>(V92215))<br>(OPT 66014-5<br>(V56878))<br>(OPT HL70-5<br>(V56878))<br>-----*-----  | A-F,<br>H-N,Q<br>R,<br>T-AA,<br>AC-BZ | 1            |

# 71-11-56

 ILLUSTRATED PARTS LIST  
 01.1 Page 1076  
 Nov 01/04

| FIG. & ITEM | PART NO.    | AIRLINE PART NUMBER | NOMENCLATURE<br>1234567 | EFF CODE  | QTY PER ASSY |
|-------------|-------------|---------------------|-------------------------|---|--------------|
| 08-155      | 315T3241-45 |                     | ...BRACKET              | A-D,<br>J-N,V<br>,Y,Z,<br>AE,AF<br>,AJ,A<br>K<br>AN-AR<br>,AW,A<br>Y,BA,<br>BB,BE<br>,BF<br>BJ,BK<br>,BN,B<br>P,BS,<br>BT,BW<br>,BX                     | 1            |
| -160        | 315T3241-46 |                     | ...BRACKET              | E,F,H<br>,Q,R,<br>T,U,W<br>,X,AA<br>,AC<br>AD,AG<br>,AH,A<br>L,AM,<br>AS-AV<br>,AX<br>AZ,BC<br>,BD,B<br>G,BH,<br>BL,BM<br>,BQ<br>BR,BU<br>,BV,B<br>Y,BZ | 1            |
| 165         | 315T3241-47 |                     | ...COVER                | A-F,<br>H-N,Q<br>,R,<br>T-AA,<br>AC-BZ  | 1            |

71-11-56

| FIG. & ITEM | PART NO.    | AIRLINE PART NUMBER | NOMENCLATURE       | EFF CODE  | QTY PER ASSY |
|-------------|-------------|---------------------|--------------------|---|--------------|
| 08-170      | 315T3241-43 |                     | 1234567<br>...SEAL | A-D,<br>J-N,V<br>,Y,Z,<br>AE,AF<br>,AJ,A<br>K<br>AN-AR<br>,AW,A<br>Y,BA,<br>BB,BE<br>,BF<br>BJ,BK<br>,BN,B<br>P,BS,<br>BT,BW<br>,BX                     | 1            |
| -175        | 315T3241-44 |                     | ...SEAL            | E,F,H<br>,Q,R,<br>T,U,W<br>,X,AA<br>,AC<br>AD,AG<br>,AH,A<br>L,AM,<br>AS-AV<br>,AX<br>AZ,BC<br>,BD,B<br>G,BH,<br>BL,BM<br>,BQ<br>BR,BU<br>,BV,B<br>Y,BZ | 1            |

# 71-11-56

 ILLUSTRATED PARTS LIST  
 01.1 Page 1076B  
 Nov 01/04

 **BOEING**  
COMPONENT  
MAINTENANCE MANUAL

| FIG. & ITEM | PART NO.    | AIRLINE PART NUMBER | NOMENCLATURE      | EFF CODE  | QTY PER ASSY |
|-------------|-------------|---------------------|-------------------|---|--------------|
| 08-180      | 315T3241-53 |                     | 1234567<br>..SEAL | A-D,<br>J-N,V<br>,Y,Z,<br>AE,AF<br>,AJ,A<br>K<br>AN-AR<br>,AW,A<br>Y,BA,<br>BB,BE<br>,BF<br>BJ,BK<br>,BN,B<br>P,BS,<br>BT,BW<br>,BX | 1            |
| 185         | 315T3241-11 |                     | ..SEAL ASSY       | A-D,<br>J-N,V<br>,Y,Z,<br>AE,AF<br>,AJ,A<br>K<br>AN-AR<br>,AW,A<br>Y,BA,<br>BB,BE<br>,BF<br>BJ,BK<br>,BN,B<br>P,BS,<br>BT,BW<br>,BX | 1            |

**71-11-56**

ILLUSTRATED PARTS LIST  
01.1 Page 1076C  
Nov 01/04

| FIG. & ITEM | PART NO.    | AIRLINE PART NUMBER | NOMENCLATURE<br>1234567 | EFF CODE  | QTY PER ASSY |
|-------------|-------------|---------------------|-------------------------|---|--------------|
| 08-<br>-190 | 315T3241-12 |                     | ..SEAL ASSY             | E, F, H<br>, Q, R,<br>T, U, W<br>, X, AA<br>, AC<br>AD, AG<br>, AH, A<br>L, AM,<br>AS-AV<br>, AX<br>AZ, BC<br>, BD, B<br>G, BH,<br>BL, BM<br>, BQ<br>BR, BU<br>, BV, B<br>Y, BZ | 1            |
| 195         | 315T3241-26 |                     | ...COVER                | A-F,<br>H-N, Q<br>, R,<br>T-AA,<br>AC-BZ  | 1            |
| 200         | 315T3241-27 |                     | ...SEAL                 | A-D,<br>J-N, V<br>, Y, Z,<br>AE, AF<br>, AJ, A<br>K<br>AN-AR<br>, AW, A<br>Y, BA,<br>BB, BE<br>, BF<br>BJ, BK<br>, BN, B<br>P, BS,<br>BT, BW<br>, BX                            | 1            |

# 71-11-56

 ILLUSTRATED PARTS LIST  
 01.1 Page 1076D  
 Nov 01/04

 **BOEING**  
COMPONENT  
MAINTENANCE MANUAL

| FIG. & ITEM | PART NO.    | AIRLINE PART NUMBER | NOMENCLATURE       | EFF CODE  | QTY PER ASSY |
|-------------|-------------|---------------------|--------------------|---|--------------|
| 08-<br>-205 | 315T3241-28 |                     | 1234567<br>...SEAL | E, F, H<br>, Q, R,<br>T, U, W<br>, X, AA<br>, AC<br>AD, AG<br>, AH, A<br>L, AM,<br>AS-AV<br>, AX<br>AZ, BC<br>, BD, B<br>G, BH,<br>BL, BM<br>, BQ<br>BR, BU<br>, BV, B<br>Y, BZ | 1            |
| 210         | 315T3241-29 |                     | ...PAD             | A-D,<br>J-N, V<br>, Y, Z,<br>AE, AF<br>, AJ, A<br>K<br>AN-AR<br>, AW, A<br>Y, BA,<br>BB, BE<br>, BF<br>BJ, BK<br>, BN, B<br>P, BS,<br>BT, BW<br>, BX                            | 1            |

**71-11-56**

ILLUSTRATED PARTS LIST  
01.1 Page 1076E  
Nov 01/04

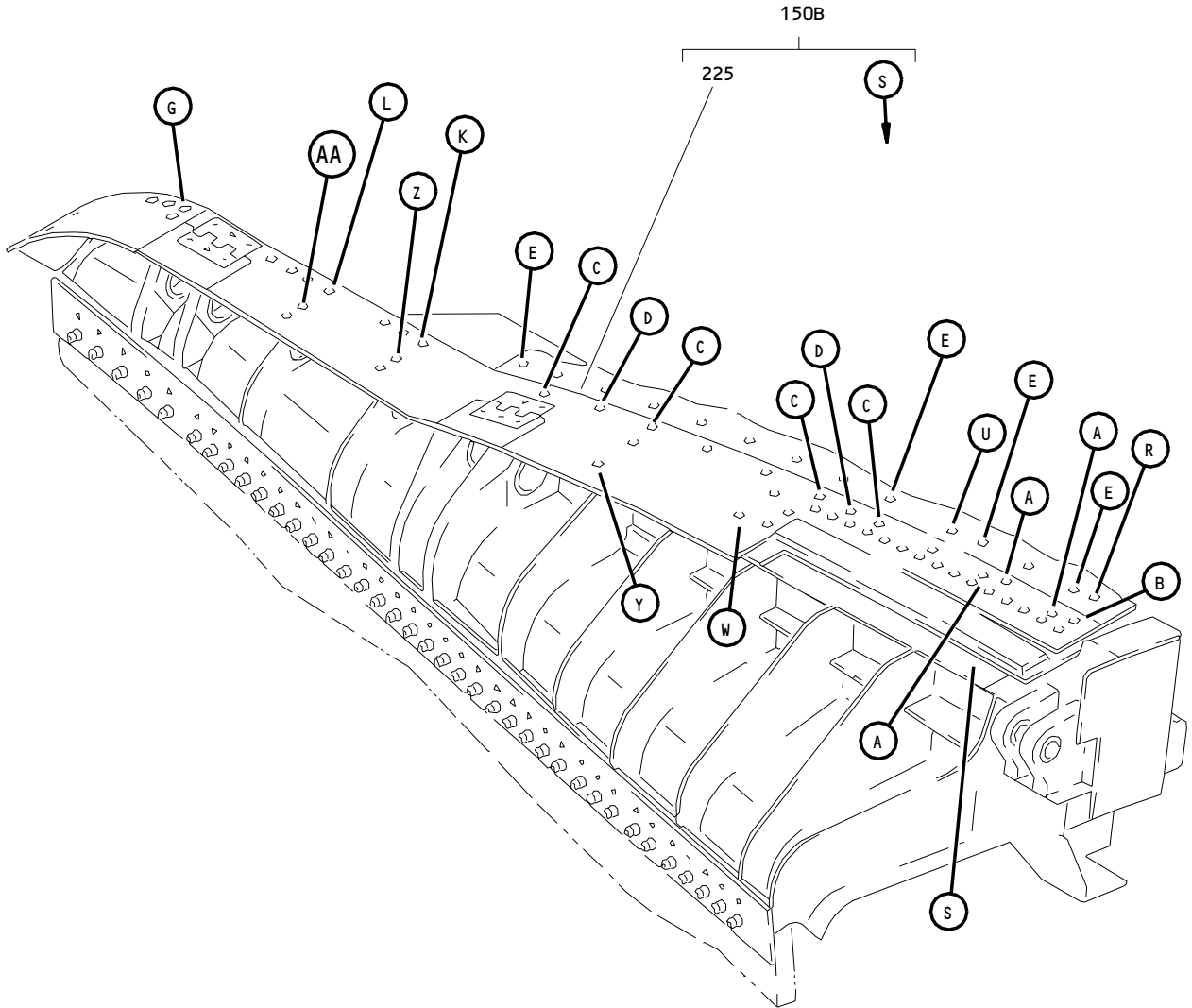
| FIG. & ITEM | PART NO.    | AIRLINE PART NUMBER | NOMENCLATURE          | EFF CODE  | QTY PER ASSY |
|-------------|-------------|---------------------|-----------------------|---|--------------|
| 08-215      | 315T3241-30 |                     | 1234567<br><br>...PAD | E, F, H<br>, Q, R,<br>T, U, W<br>, X, AA<br>, AC<br>AD, AG<br>, AH, A<br>L, AM,<br>AS-AV<br>, AX<br>AZ, BC<br>, BD, B<br>G, BH,<br>BL, BM<br>, BQ<br>BR, BU<br>, BV, B<br>Y, BZ | 1            |

- Item Not Illustrated

**71-11-56**

ILLUSTRATED PARTS LIST  
 01.1 Page 1076F  
 Nov 01/04

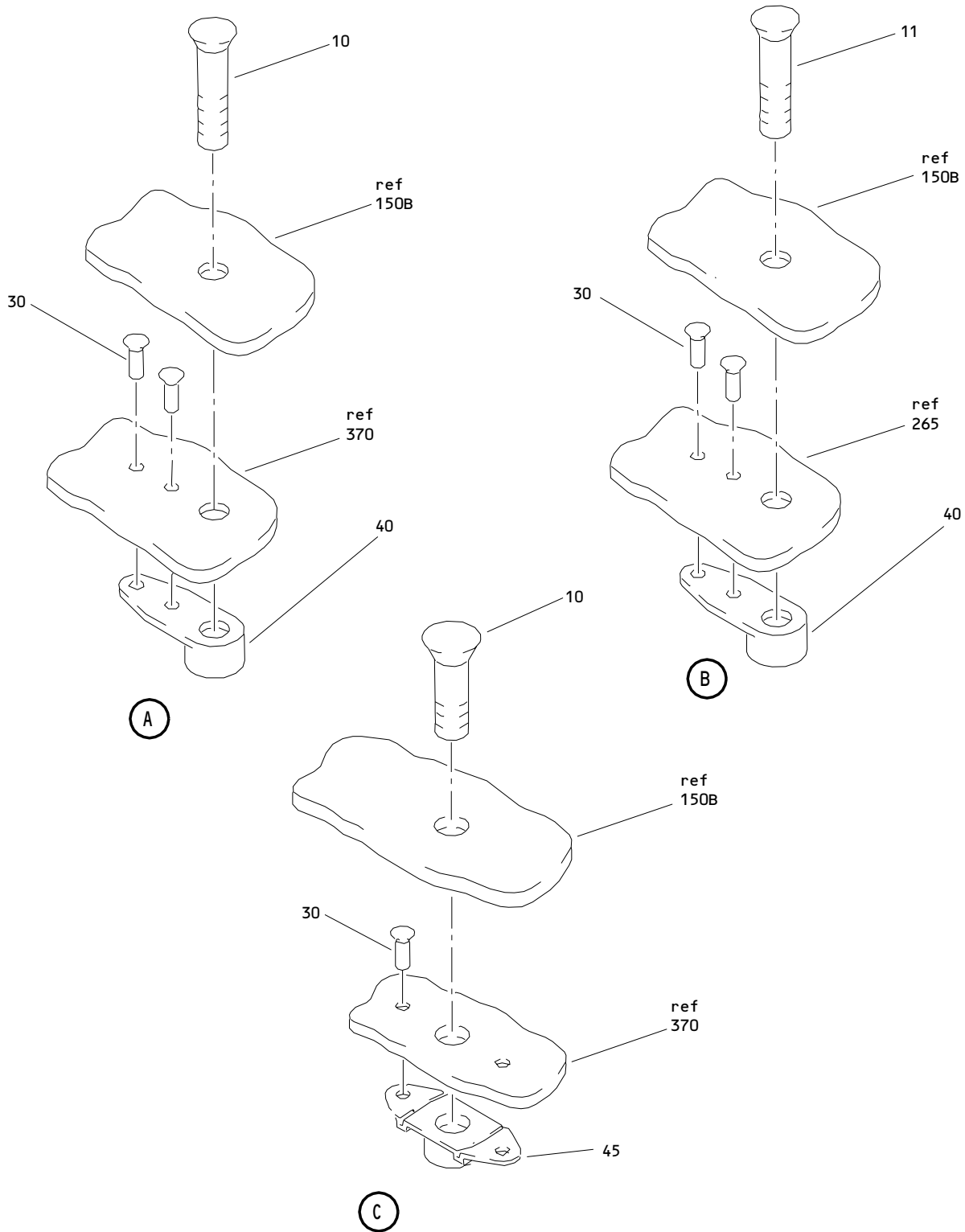




Upper Bifurcation Fairing Installation  
Figure 9 (Sheet 1)

**71-11-56**

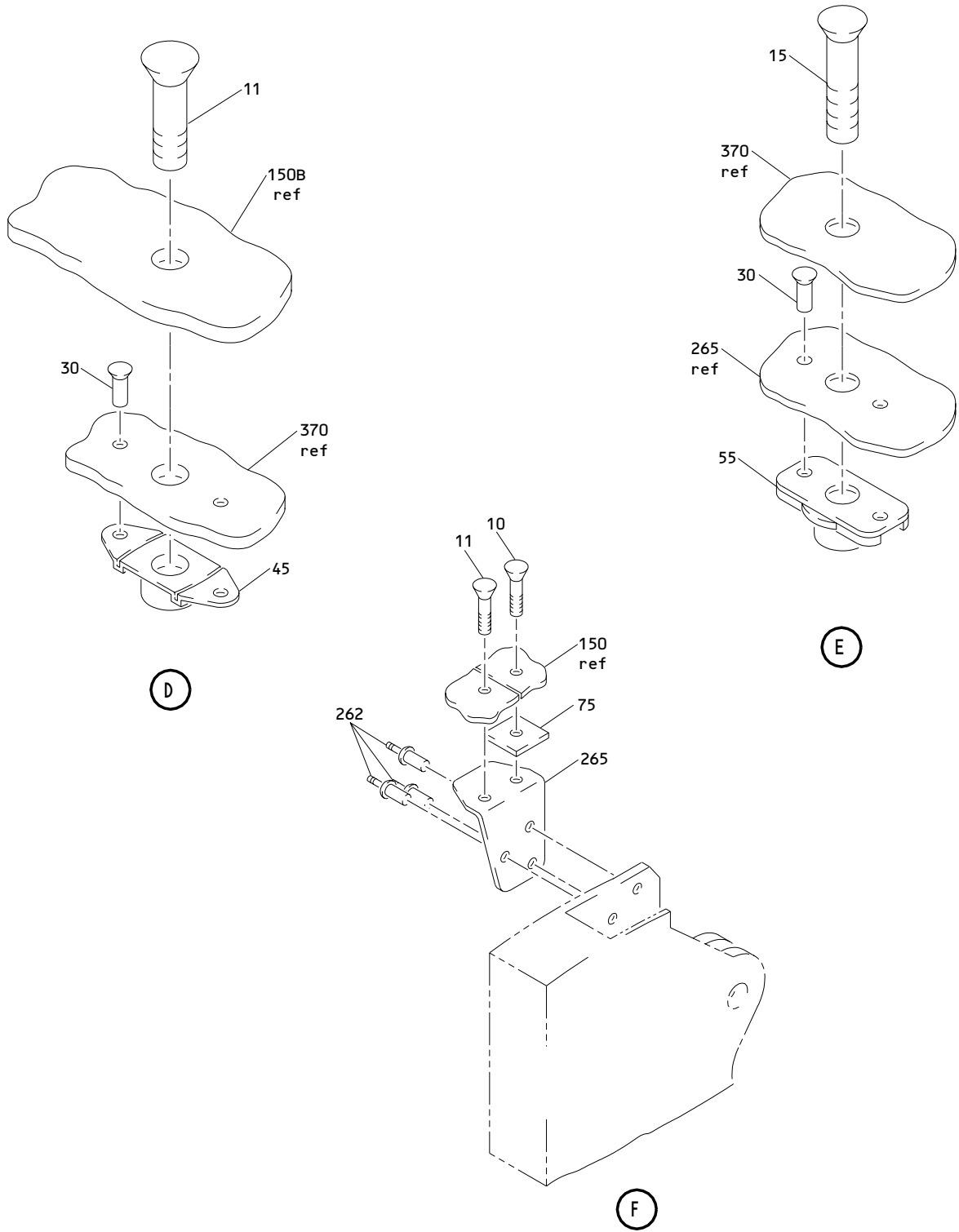
ILLUSTRATED PARTS LIST  
01.1 Page 1076G  
Nov 01/04



Upper Bifurcation Fairing Installation  
 Figure 9 (Sheet 2)

**71-11-56**

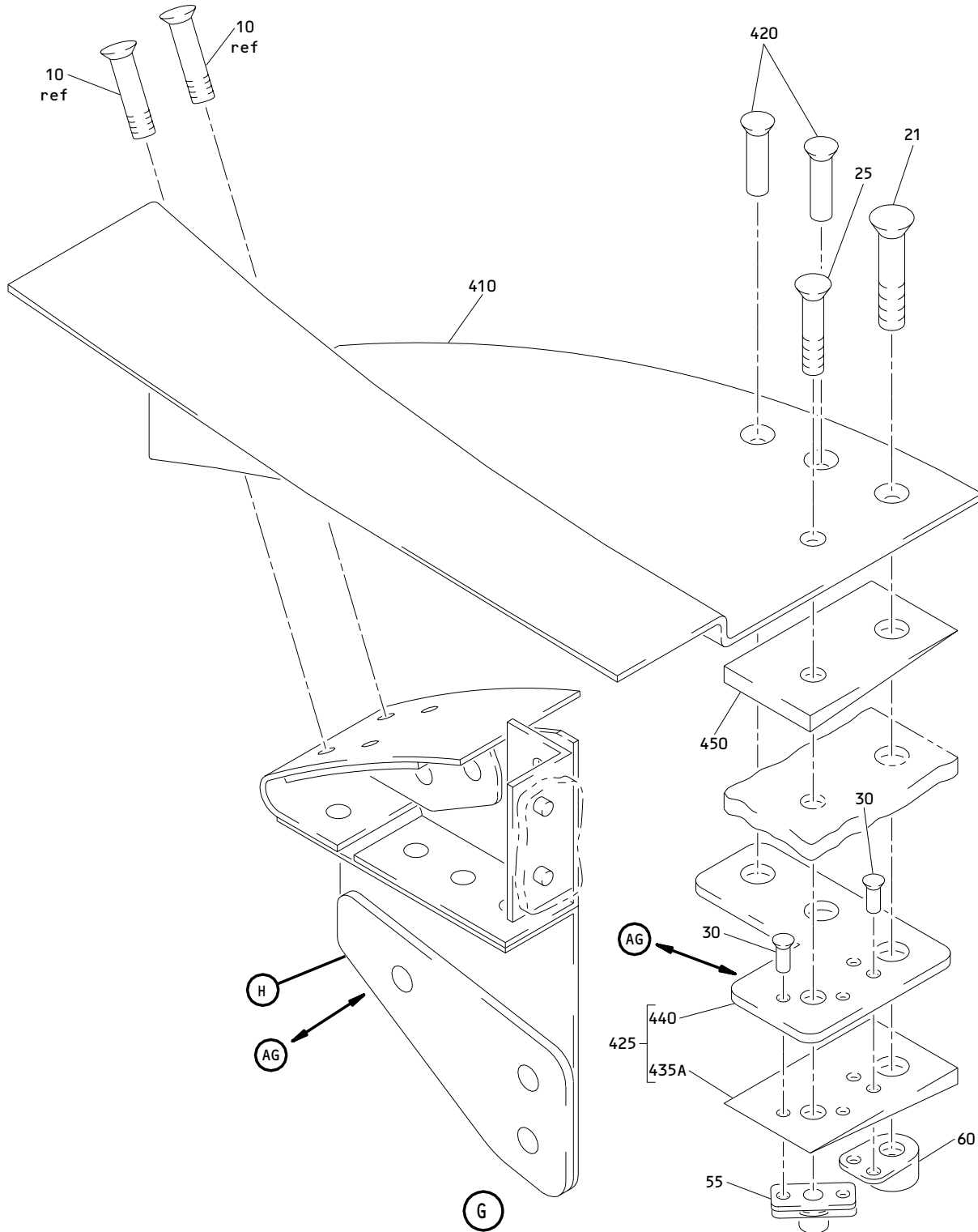
ILLUSTRATED PARTS LIST  
 01.1 Page 1076H  
 Nov 01/04



Upper Bifurcation Fairing Installation  
Figure 9 (Sheet 3)

**71-11-56**

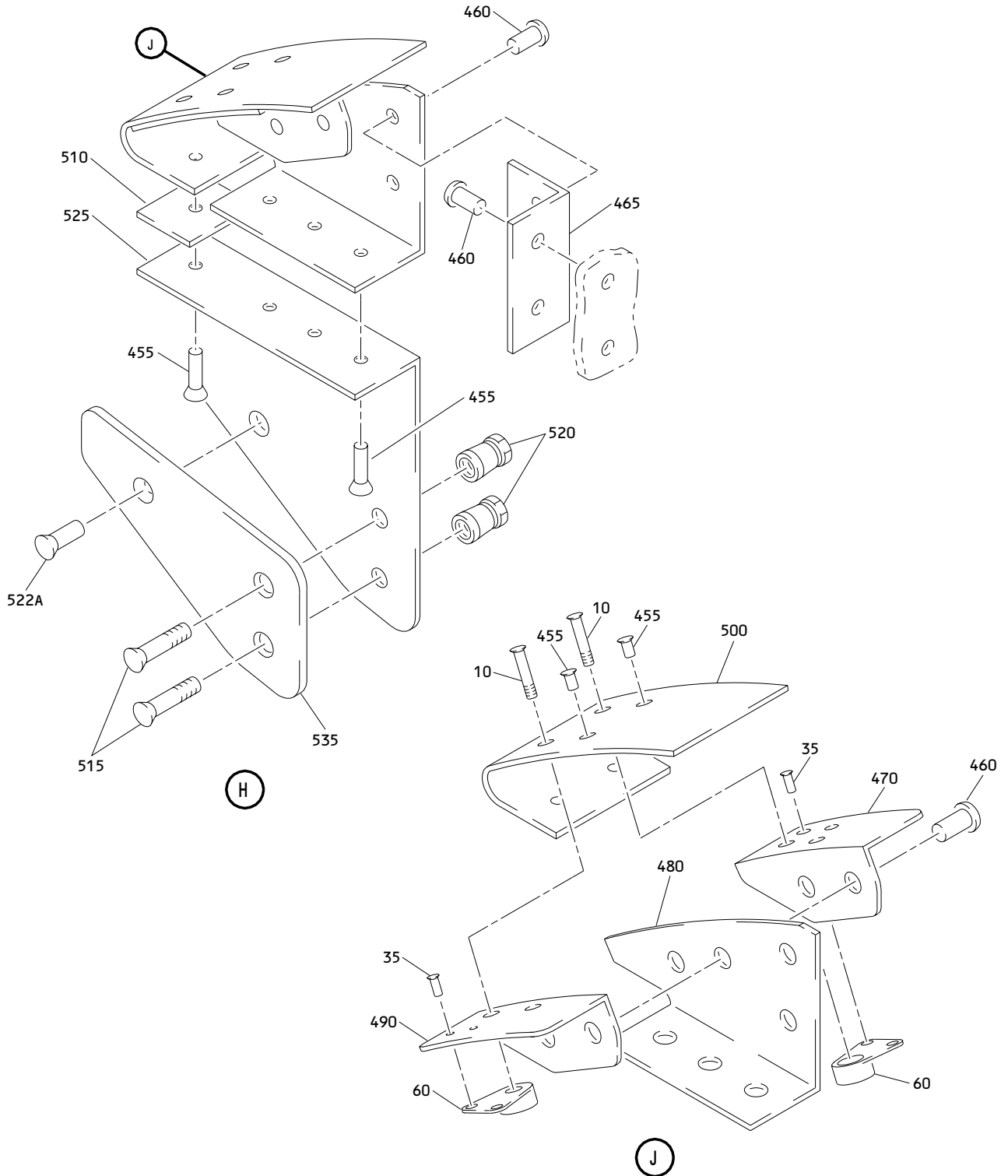
ILLUSTRATED PARTS LIST  
01.1 Page 1076I  
Nov 01/04



Upper Bifurcation Fairing Installation  
 Figure 9 (Sheet 4)

**71-11-56**

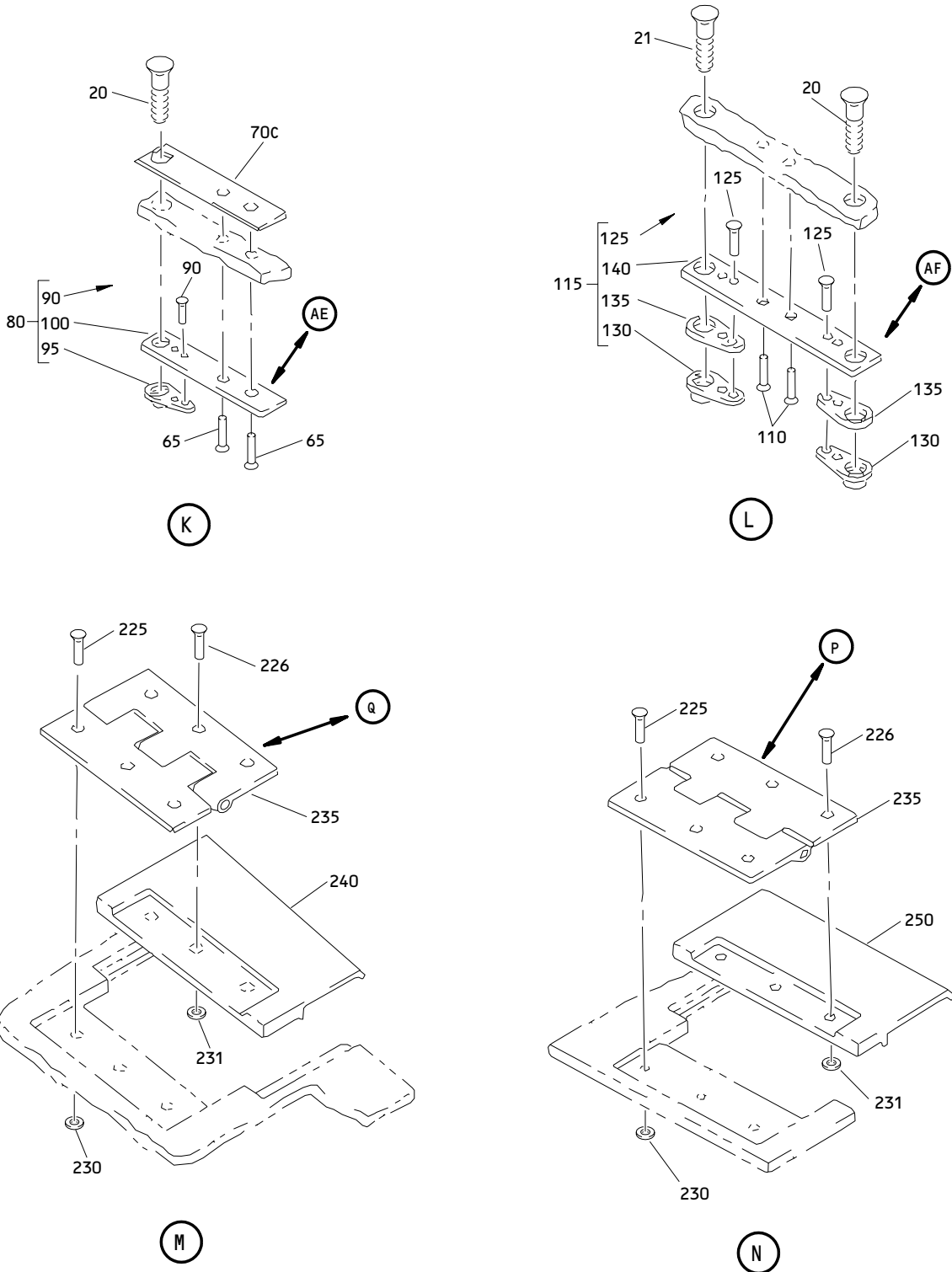
ILLUSTRATED PARTS LIST  
 01.1 Page 1076J  
 Nov 01/04



Upper Bifurcation Fairing Installation  
Figure 9 (Sheet 5)

**71-11-56**

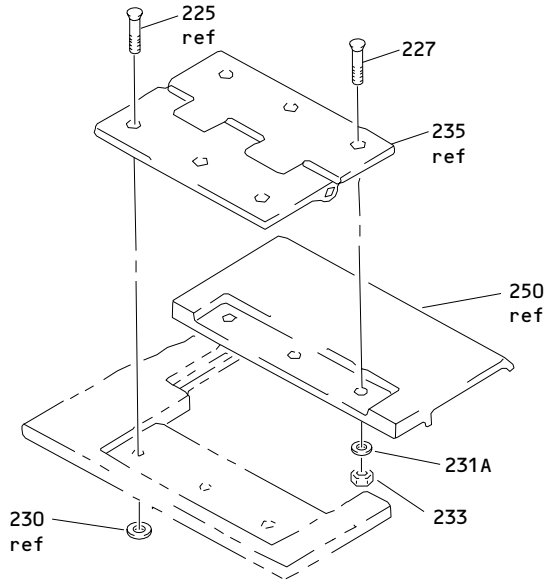
ILLUSTRATED PARTS LIST  
01.1 Page 1076K  
Nov 01/04



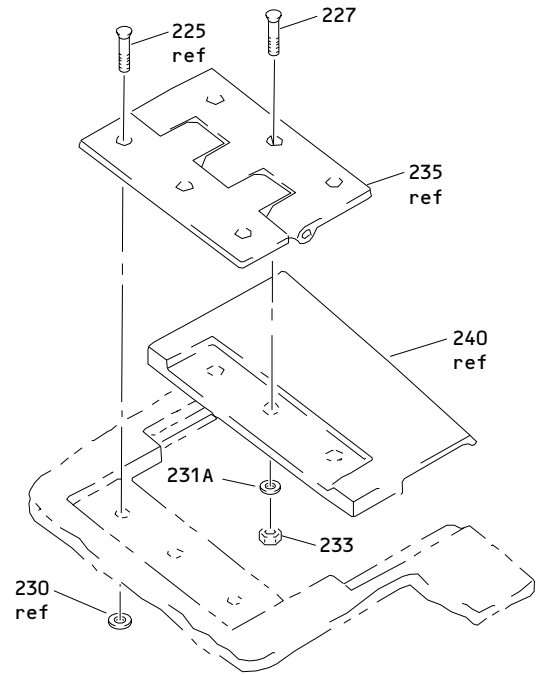
Upper Bifurcation Fairing Installation  
 Figure 9 (Sheet 6)

**71-11-56**

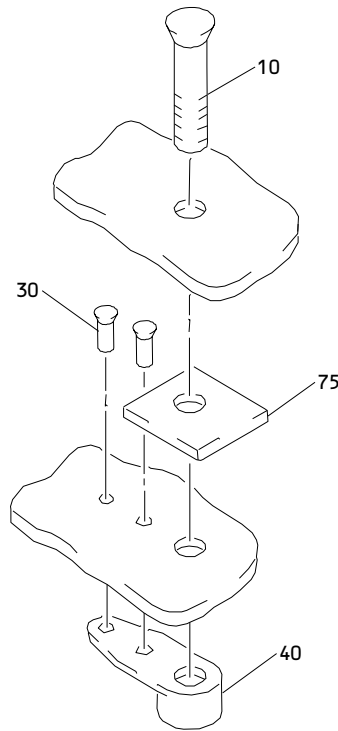
ILLUSTRATED PARTS LIST  
 01.1 Page 1076L  
 Nov 01/04



P



Q

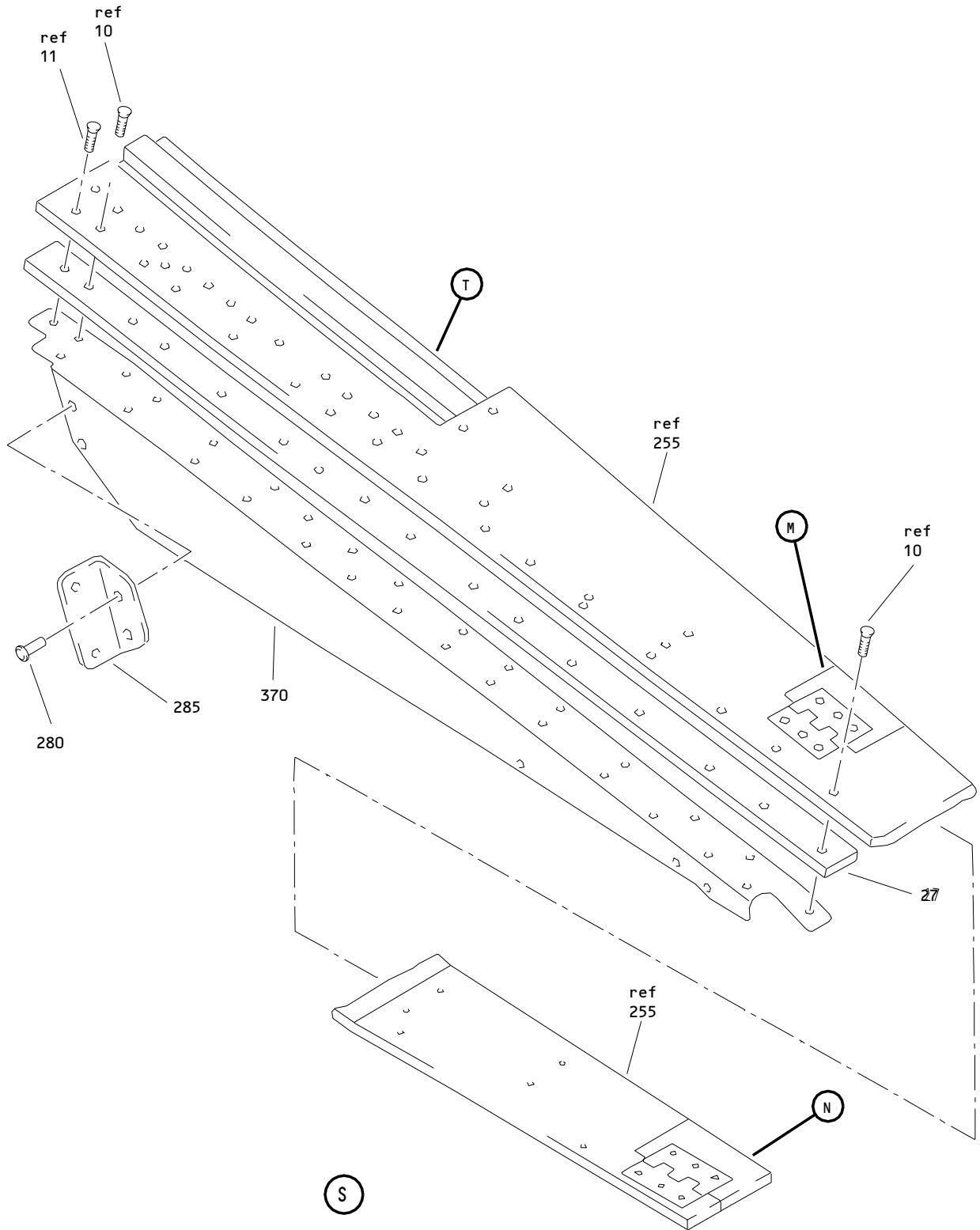


R

Upper Bifurcation Fairing Installation  
Figure 9 (Sheet 7)

**71-11-56**

ILLUSTRATED PARTS LIST  
01.1 Page 1076M  
Nov 01/04

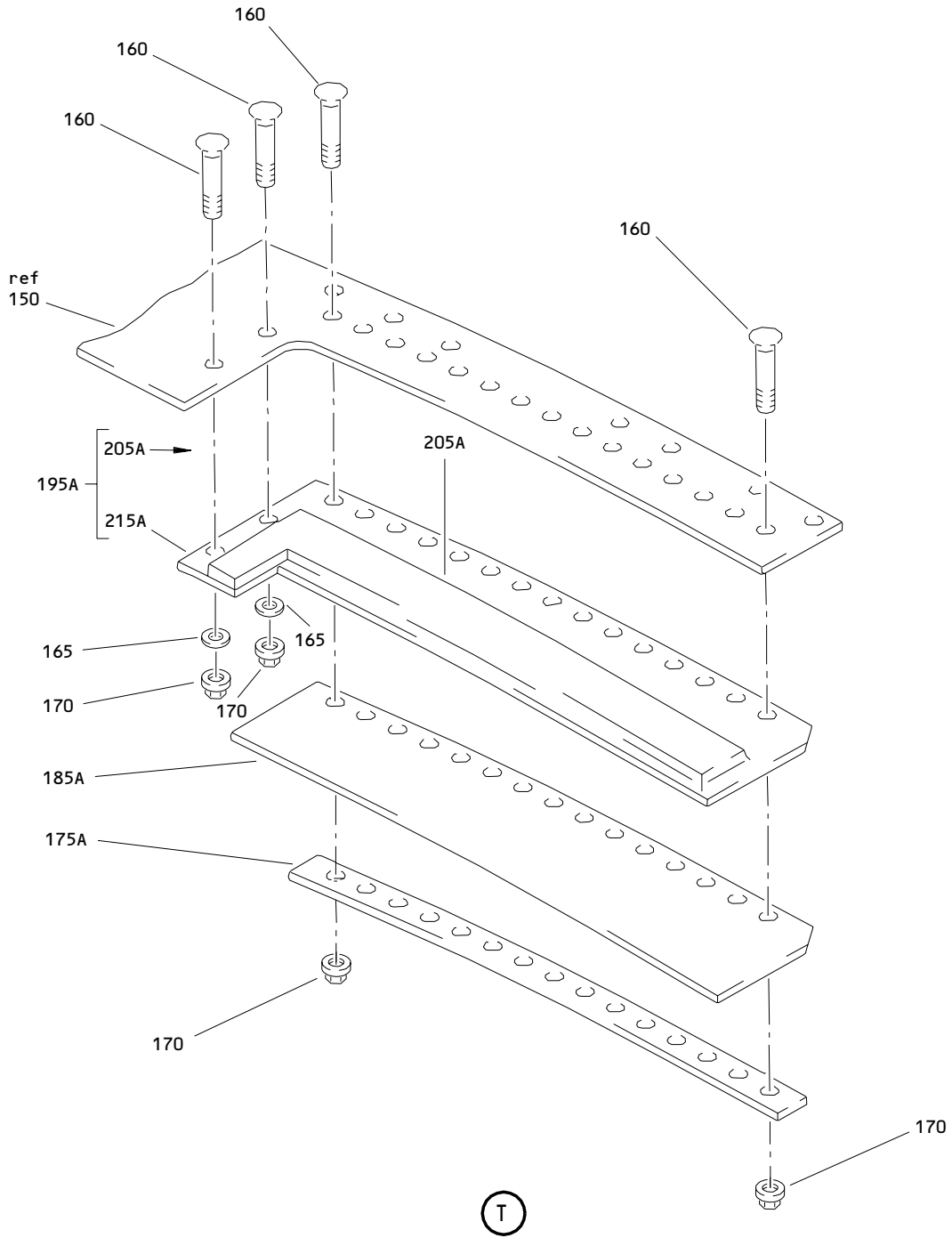


Upper Bifurcation Fairing Installation  
Figure 9 (Sheet 8)

**71-11-56**

ILLUSTRATED PARTS LIST  
01.1 Page 1076N  
Nov 01/04

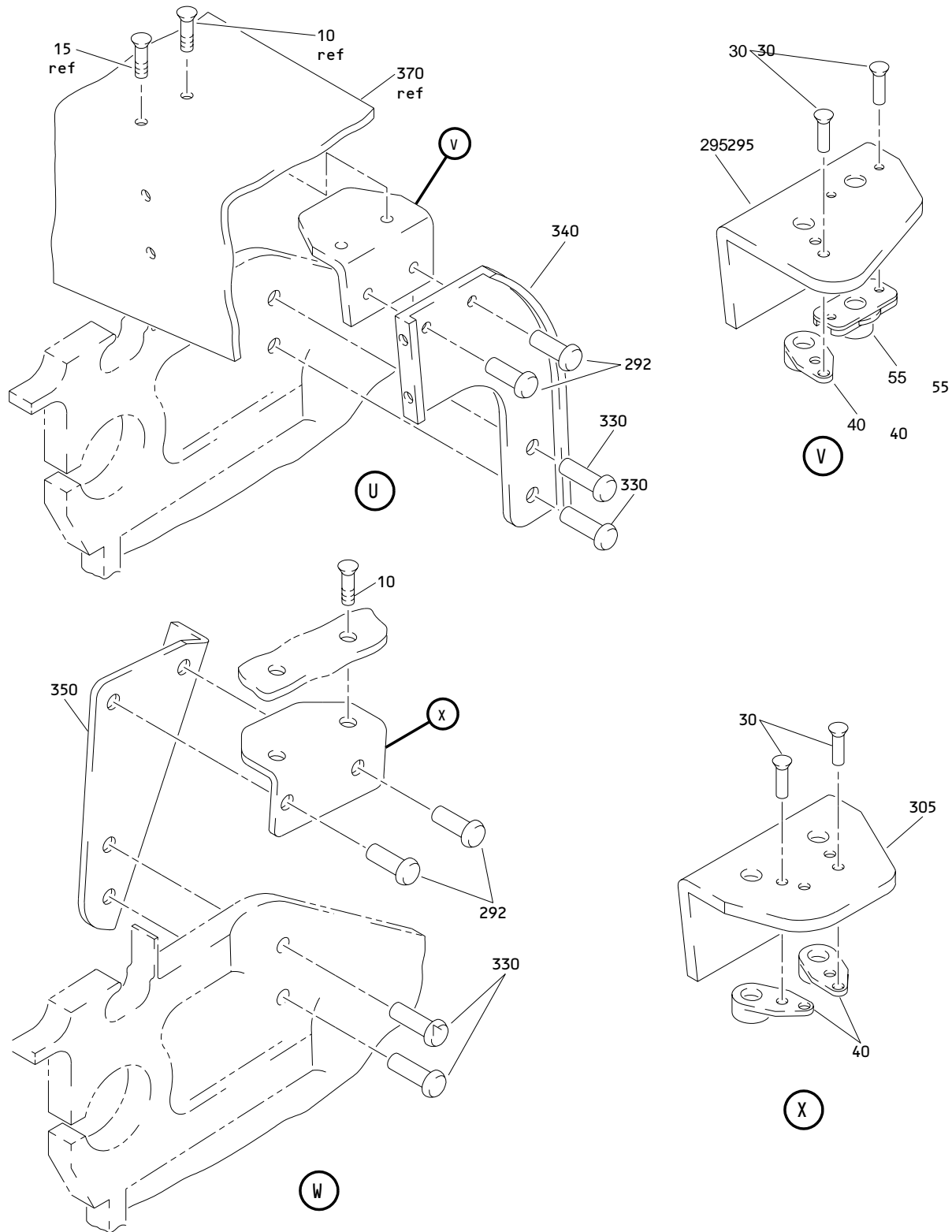




Upper Bifurcation Fairing Installation  
Figure 9 (Sheet 9)

**71-11-56**

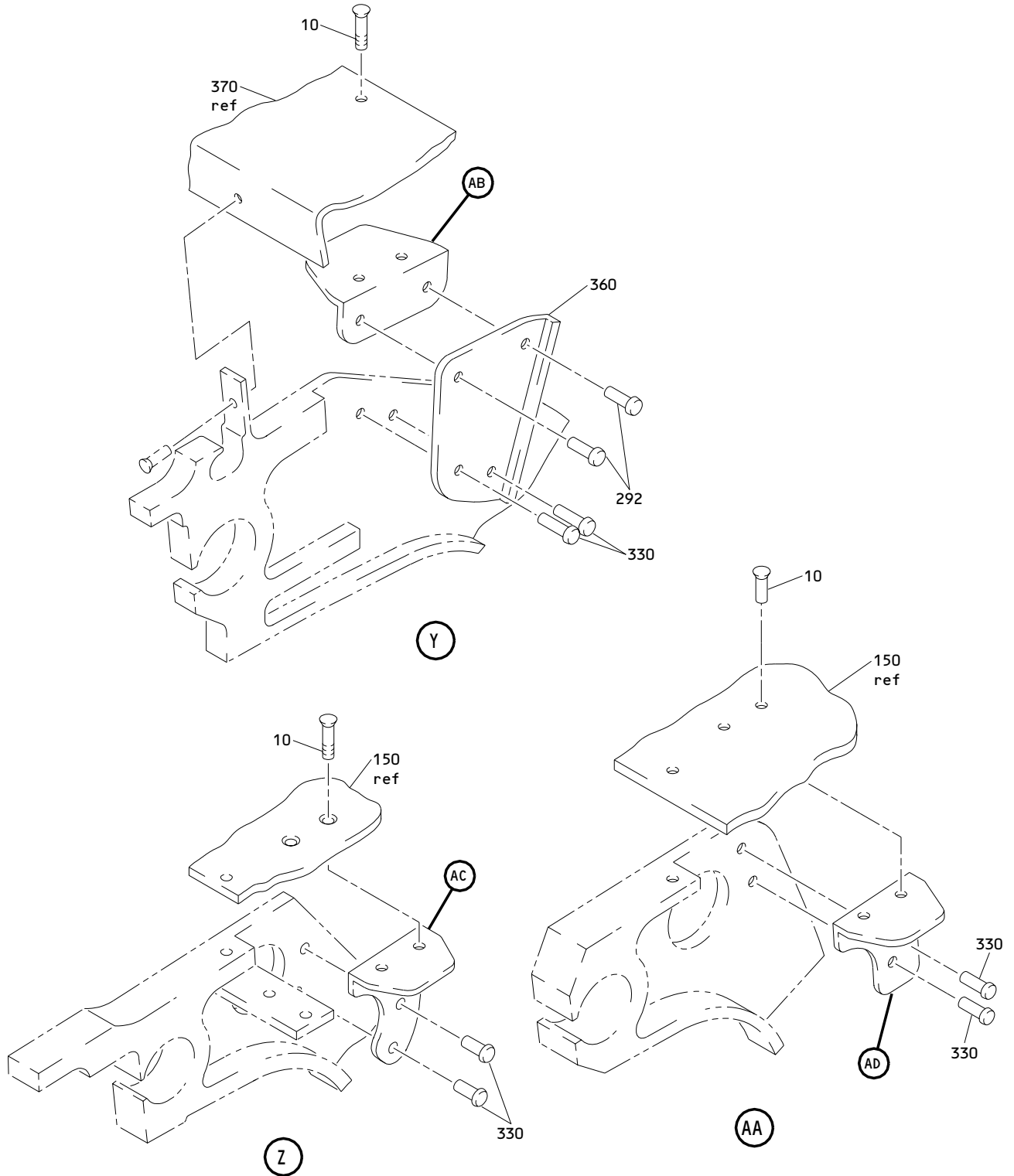
ILLUSTRATED PARTS LIST  
01.1 Page 10760  
Nov 01/04



Upper Bifurcation Fairing Installation  
 Figure 9 (Sheet 10)

**71-11-56**

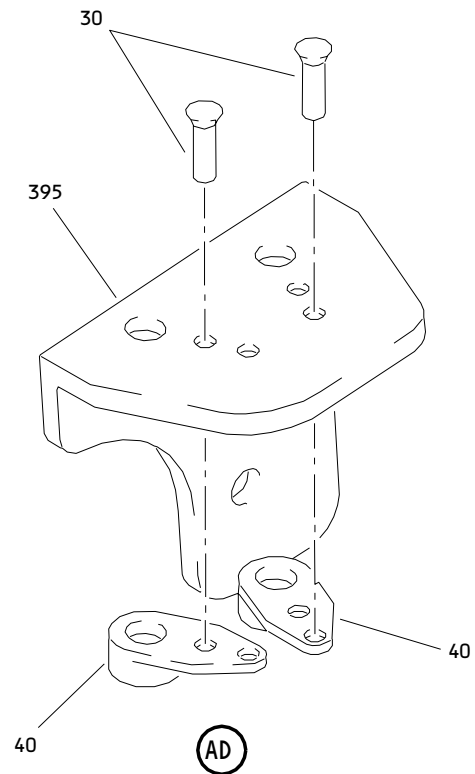
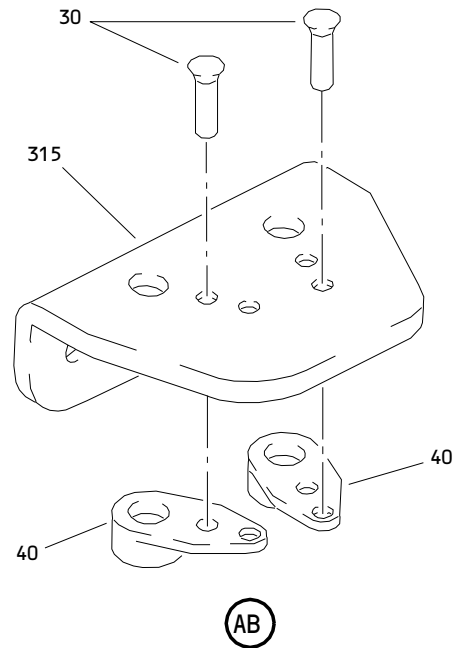
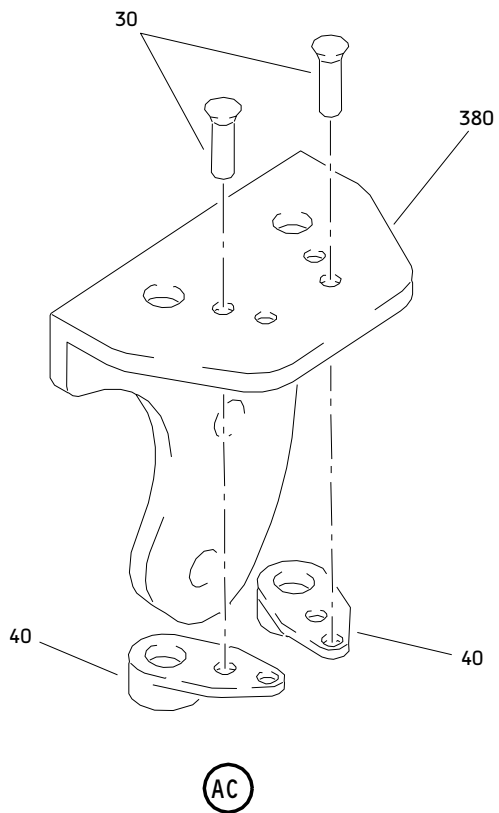
ILLUSTRATED PARTS LIST  
 01.1 Page 1076P  
 Nov 01/04



Upper Bifurcation Fairing Installation  
Figure 9 (Sheet 11)

**71-11-56**

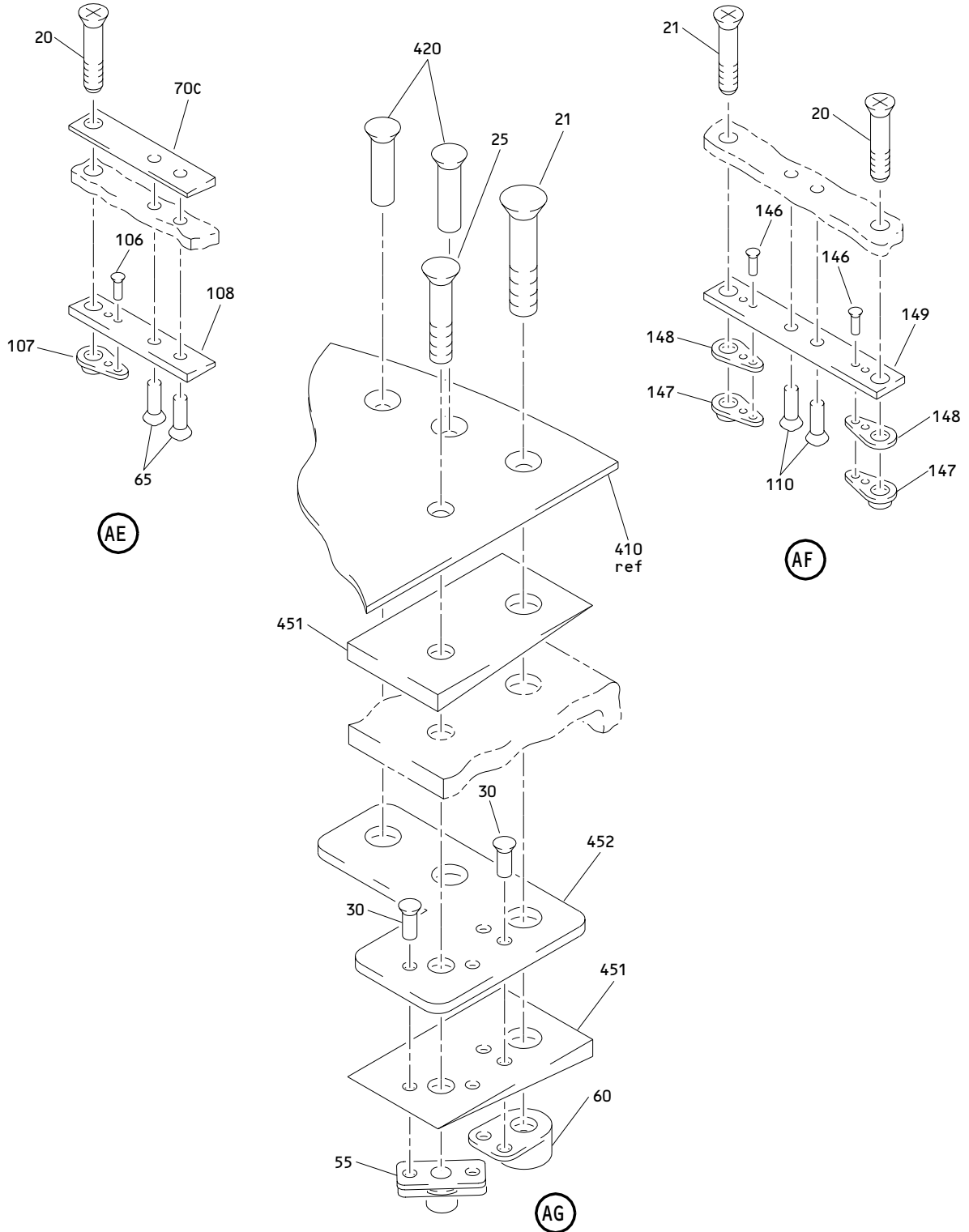
ILLUSTRATED PARTS LIST  
01.1 Page 1076Q  
Nov 01/04



Upper Bifurcation Fairing Installation  
 Figure 9 (Sheet 12)

**71-11-56**

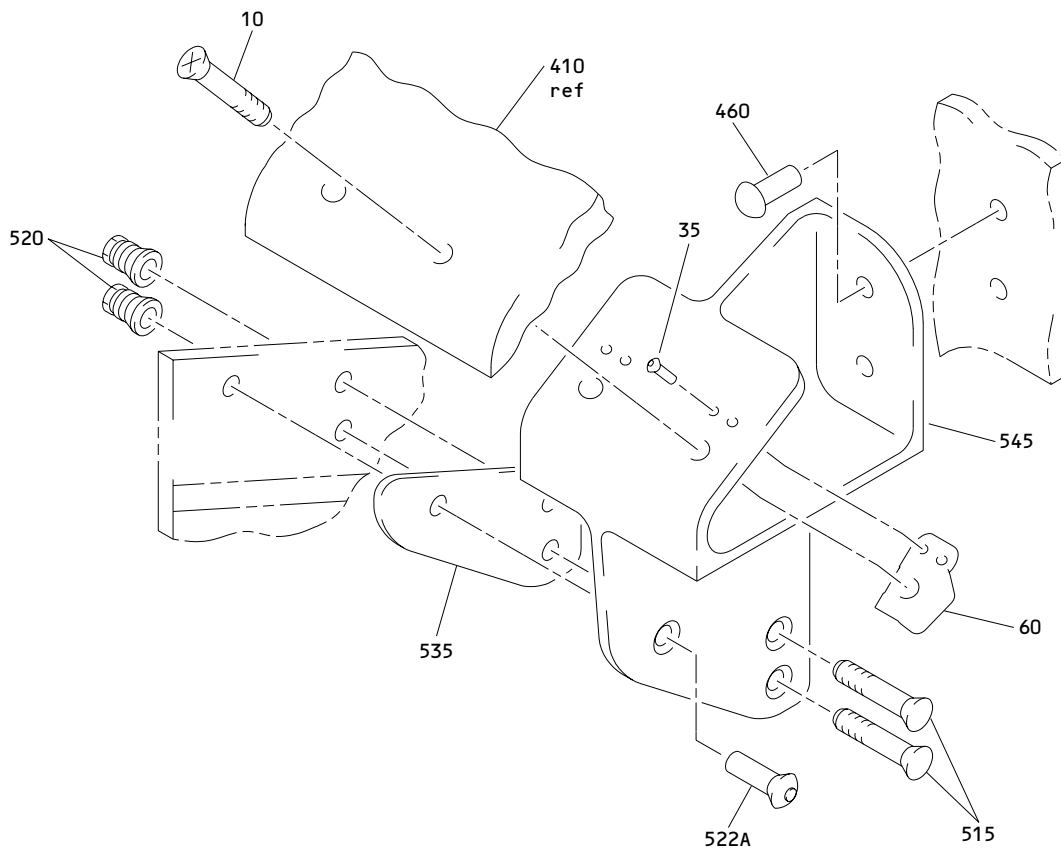
ILLUSTRATED PARTS LIST  
 01.1 Page 1076R  
 Nov 01/04



Upper Bifurcation Fairing Installation  
Figure 9 (Sheet 13)

**71-11-56**

ILLUSTRATED PARTS LIST  
01.1 Page 1076S  
Nov 01/04



Upper Bifurcation Fairing Installation  
Figure 9 (Sheet 14)

**71-11-56**

ILLUSTRATED PARTS LIST  
01.1 Page 1076T  
Nov 01/04



**BOEING**  
COMPONENT  
MAINTENANCE MANUAL

| FIG. & ITEM | PART NO.     | AIRLINE PART NUMBER | NOMENCLATURE<br>1234567   | EFF CODE   | QTY PER ASSY |
|-------------|--------------|---------------------|---|--|--------------|
| 09-<br>-1   | 315U4305-1   |                     | FAIRING INSTL-UPR<br>BIFURCATION  | J,K,M<br>,V,Z,<br>AE,AJ<br>,AN,A<br>Q<br>AW,AY<br>,BB,B<br>F,BK,<br>BP | RF           |
| -1A         | 315U4305-105 |                     | FAIRING INSTL-UPR<br>BIFURCATION  | BT,BX  | RF           |
| -1B         | 315U4305-119 |                     | FAIRING INSTL-UPR<br>BIFURCATION  | CB,CU  | RF           |
| -1C         | 315U4305-121 |                     | FAIRING INSTL-UPR<br>BIFURCATION  | DT   | RF           |
| -1D         | 315U4305-123 |                     | (NHA 315U4295, REF<br>COLLECTOR CMM 78-31-48)<br>FAIRING INSTL-UPR<br>BIFURCATION | DT   | RF           |
| -1E         | 315U4305-125 |                     | (NHA 315U4295, REF<br>COLLECTOR CMM 78-31-48)<br>FAIRING INSTL-UPR<br>BIFURCATION | DT   | RF           |
| -1F         | 315U4305-127 |                     | (NHA 315U4295, REF<br>COLLECTOR CMM 78-31-48)<br>FAIRING INSTL-UPR<br>BIFURCATION | DT   | RF           |
| -1G         | 315U4305-129 |                     | (NHA 315U4295, REF<br>COLLECTOR CMM 78-31-48)<br>FAIRING INSTL-UPR<br>BIFURCATION | DT   | RF           |
| -1H         | 315U4305-131 |                     | (NHA 315U4295, REF<br>COLLECTOR CMM 78-31-48)<br>FAIRING INSTL-UPR<br>BIFURCATION | DT   | RF           |
| -1J         | 315U4305-133 |                     | (NHA 315U4295, REF<br>COLLECTOR CMM 78-31-48)<br>FAIRING INSTL-UPR<br>BIFURCATION | DT   | RF           |
| -1K         | 315U4305-135 |                     | (NHA 315U4295, REF<br>COLLECTOR CMM 78-31-48)<br>FAIRING INSTL-UPR<br>BIFURCATION | DT   | RF           |

**71-11-56**

ILLUSTRATED PARTS LIST  
01.1 Page 1076U  
Nov 01/04

| FIG. & ITEM | PART NO.     | AIRLINE PART NUMBER | NOMENCLATURE<br>1234567   | EFF CODE   | QTY PER ASSY |
|-------------|--------------|---------------------|---|--|--------------|
| 09-<br>-1L  | 315U4305-137 |                     | FAIRING INSTL-UPR<br>BIFURCATION<br>(NHA 315U4295, REF<br>COLLECTOR CMM 78-31-48) | DT   | RF           |
| -1M         | 315U4305-139 |                     | FAIRING INSTL-UPR<br>BIFURCATION<br>(NHA 315U4295, REF<br>COLLECTOR CMM 78-31-48) | DT   | RF           |
| -1N         | 315U4305-141 |                     | FAIRING INSTL-UPR<br>BIFURCATION<br>(NHA 315U4295, REF<br>COLLECTOR CMM 78-31-48) | DT   | RF           |
| -1P         | 315U4305-143 |                     | FAIRING INSTL-UPR<br>BIFURCATION<br>(NHA 315U4295, REF<br>COLLECTOR CMM 78-31-48) | DT   | RF           |
| -1Q         | 315U4305-145 |                     | FAIRING INSTL-UPR<br>BIFURCATION<br>(NHA 315U4295, REF<br>COLLECTOR CMM 78-31-48) | DT   | RF           |
| -1R         | 315U4305-149 |                     | FAIRING INSTL-UPR<br>BIFURCATION<br>(NHA 315U4295, REF<br>COLLECTOR CMM 78-31-48) | DT   | RF           |
| -1S         | 315U4305-151 |                     | FAIRING INSTL-UPR<br>BIFURCATION<br>(NHA 315U4295, REF<br>COLLECTOR CMM 78-31-48) | DT   | RF           |
| -1T         | 315U4305-153 |                     | FAIRING INSTL-UPR<br>BIFURCATION<br>(NHA 315U4295, REF<br>COLLECTOR CMM 78-31-48) | DT   | RF           |
| -1U         | 315U4305-155 |                     | FAIRING INSTL-UPR<br>BIFURCATION<br>(NHA 315U4295, REF<br>COLLECTOR CMM 78-31-48) | DT   | RF           |
| -5          | 315U4305-2   |                     | FAIRING INSTL-UPR<br>BIFURCATION  | Q,R,T<br>U,X,<br>AD,AG<br>AL,A<br>S,AU<br>AX,AZ<br>BD,B<br>H,BM,<br>BR | RF           |

# 71-11-56

 ILLUSTRATED PARTS LIST  
 01.1 Page 1076V  
 Nov 01/04





**BOEING**  
COMPONENT  
MAINTENANCE MANUAL

| FIG. & ITEM | PART NO.     | AIRLINE PART NUMBER | NOMENCLATURE<br>1234567   | EFF CODE | QTY PER ASSY |
|-------------|--------------|---------------------|---|----------|--------------|
| 09-<br>-5A  | 315U4305-106 |                     | FAIRING INSTL-UPR<br>BIFURCATION  | BV,BZ    | RF           |
| -5B         | 315U4305-120 |                     | FAIRING INSTL-UPR<br>BIFURCATION  | CJ,DB    | RF           |
| -5C         | 315U4305-122 |                     | FAIRING INSTL-UPR<br>BIFURCATION  | DV       | RF           |
| -5D         | 315U4305-124 |                     | (NHA 315U4295, REF<br>COLLECTOR CMM 78-31-48)<br>FAIRING INSTL-UPR<br>BIFURCATION | DV       | RF           |
| -5E         | 315U4305-126 |                     | (NHA 315U4295, REF<br>COLLECTOR CMM 78-31-48)<br>FAIRING INSTL-UPR<br>BIFURCATION | DV       | RF           |
| -5F         | 315U4305-128 |                     | (NHA 315U4295, REF<br>COLLECTOR CMM 78-31-48)<br>FAIRING INSTL-UPR<br>BIFURCATION | DV       | RF           |
| -5G         | 315U4305-130 |                     | (NHA 315U4295, REF<br>COLLECTOR CMM 78-31-48)<br>FAIRING INSTL-UPR<br>BIFURCATION | DV       | RF           |
| -5H         | 315U4305-132 |                     | (NHA 315U4295, REF<br>COLLECTOR CMM 78-31-48)<br>FAIRING INSTL-UPR<br>BIFURCATION | DV       | RF           |
| -5J         | 315U4305-134 |                     | (NHA 315U4295, REF<br>COLLECTOR CMM 78-31-48)<br>FAIRING INSTL-UPR<br>BIFURCATION | DV       | RF           |
| -5K         | 315U4305-136 |                     | (NHA 315U4295, REF<br>COLLECTOR CMM 78-31-48)<br>FAIRING INSTL-UPR<br>BIFURCATION | DV       | RF           |
| -5L         | 315U4305-138 |                     | (NHA 315U4295, REF<br>COLLECTOR CMM 78-31-48)<br>FAIRING INSTL-UPR<br>BIFURCATION | DV       | RF           |
| -5M         | 315U4305-140 |                     | (NHA 315U4295, REF<br>COLLECTOR CMM 78-31-48)<br>FAIRING INSTL-UPR<br>BIFURCATION | DV       | RF           |

**71-11-56**

ILLUSTRATED PARTS LIST  
01.1 Page 1076W  
Nov 01/04

| FIG. & ITEM | PART NO.     | AIRLINE PART NUMBER | NOMENCLATURE<br>1234567   | EFF CODE | QTY PER ASSY |
|-------------|--------------|---------------------|---|----------|--------------|
| 09-<br>-5N  | 315U4305-142 |                     | FAIRING INSTL-UPR<br>BIFURCATION<br>(NHA 315U4295, REF<br>COLLECTOR CMM 78-31-48) | DV       | RF           |
| -5P         | 315U4305-144 |                     | FAIRING INSTL-UPR<br>BIFURCATION<br>(NHA 315U4295, REF<br>COLLECTOR CMM 78-31-48) | DV       | RF           |
| -5Q         | 315U4305-146 |                     | FAIRING INSTL-UPR<br>BIFURCATION<br>(NHA 315U4295, REF<br>COLLECTOR CMM 78-31-48) | DV       | RF           |
| -5R         | 315U4305-150 |                     | FAIRING INSTL-UPR<br>BIFURCATION<br>(NHA 315U4295, REF<br>COLLECTOR CMM 78-31-48) | DV       | RF           |
| -5S         | 315U4305-152 |                     | FAIRING INSTL-UPR<br>BIFURCATION<br>(NHA 315U4295, REF<br>COLLECTOR CMM 78-31-48) | DV       | RF           |
| -5T         | 315U4305-154 |                     | FAIRING INSTL-UPR<br>BIFURCATION<br>(NHA 315U4295, REF<br>COLLECTOR CMM 78-31-48) | DV       | RF           |
| -5U         | 315U4305-156 |                     | FAIRING INSTL-UPR<br>BIFURCATION<br>(NHA 315U4295, REF<br>COLLECTOR CMM 78-31-48) | DV       | RF           |

# 71-11-56

 ILLUSTRATED PARTS LIST  
 01.1 Page 1076X  
 Nov 01/04

**BOEING**  
COMPONENT  
MAINTENANCE MANUAL

| FIG. & ITEM | PART NO.    | AIRLINE PART NUMBER | NOMENCLATURE | EFF CODE   | QTY PER ASSY |
|-------------|-------------|---------------------|--------------|--|--------------|
| 09-10       | BACB30NN3K5 |                     | .BOLT        | J,K,M<br>,Q,R,<br>T-V,X<br>,Z,AD<br>,AE<br>AG,AJ<br>,AL,A<br>N,AQ,<br>AS,AU<br>AW-AZ<br>,BB,B<br>D,BF,<br>BH,BK<br>,BM<br>BP,BR<br>,BT,B<br>V,BX,<br>BZ,CB<br>,CJ<br>CU,DB<br>,DT,D<br>V | 19           |
| 11          | BACB30NN3K5 |                     | .BOLT        | J,K,M<br>,Q,R,<br>T-V,X<br>,Z,AD<br>,AE<br>AG,AJ<br>,AL,A<br>N,AQ,<br>AS,AU<br>AW-AZ<br>,BB,B<br>D,BF,<br>BH,BK<br>,BM<br>BP,BR  | 4            |

**71-11-56**

ILLUSTRATED PARTS LIST  
01.1 Page 1076Y  
Nov 01/04

| FIG. & ITEM | PART NO.     | AIRLINE PART NUMBER | NOMENCLATURE<br>1234567 | EFF CODE   | QTY PER ASSY |
|-------------|--------------|---------------------|-------------------------|--|--------------|
| 09-<br>-11A | BACB30LH3U5  |                     | .BOLT                   | BT,BV<br>,BX,B<br>,Z,CB,<br>CJ,CU<br>,DB<br>DT,DV  | 4            |
| 15          | BACB30VF08K3 |                     | .BOLT                   | J,K,M<br>,Q,R,<br>T-V,X<br>,Z,AD<br>,AE<br>AG,AJ<br>,AL,A<br>N,AQ,<br>AS,AU<br>AW-AZ<br>,BB,B<br>D,BF,<br>BH,BK<br>,BM<br>BP,BR<br>,BT,B<br>V,BX,<br>BZ,CB<br>,CJ<br>CU,DB<br>,DT,D<br>V | 13           |

# 71-11-56

 ILLUSTRATED PARTS LIST  
 01.1 Page 1076Z  
 Nov 01/04

**BOEING**  
COMPONENT  
MAINTENANCE MANUAL

| FIG. & ITEM | PART NO.     | AIRLINE PART NUMBER | NOMENCLATURE<br>1234567 | EFF CODE   | QTY PER ASSY |
|-------------|--------------|---------------------|-------------------------|--|--------------|
| 09-20       | BACB30NN3K11 |                     | .BOLT-<br>(LIMITED)     | J,K,M<br>,Q,R,<br>T-V,X<br>,Z,AD<br>,AE<br>AG,AJ<br>,AL,A<br>N,AQ,<br>AS,AU<br>AW-AZ<br>,BB,B<br>D,BF,<br>BH,BK<br>,BM<br>BP,BR<br>,BT,B<br>V,BX,<br>BZ,CB<br>,CJ<br>CU,DB<br>,DT,D<br>V | 2            |
| -20A        | BACB30NN3K12 |                     | .BOLT-<br>(LIMITED)     | J,K,M<br>,Q,R,<br>T-V,X<br>,Z,AD<br>,AE<br>AG,AJ<br>,AL,A<br>N,AQ,<br>AS,AU<br>AW-AZ<br>,BB,B<br>D,BF,<br>BH,BK<br>,BM<br>BP,BR<br>,BT,B<br>V,BX,<br>BZ,CB<br>,CJ<br>CU,DB<br>,DT,D<br>V | 2            |

**71-11-56**

ILLUSTRATED PARTS LIST  
01.1 Page 1077  
Nov 01/04

| FIG. & ITEM | PART NO.     | AIRLINE PART NUMBER | NOMENCLATURE<br>1234567 | EFF CODE  | QTY PER ASSY |
|-------------|--------------|---------------------|-------------------------|---|--------------|
| 09-21       | BACB30NN3K11 |                     | .BOLT-<br>(LIMITED)     | J,K,M<br>,Q,R,<br>T-V,X<br>,Z,AD<br>,AE<br>AG,AJ<br>,AL,A<br>N,AQ,<br>AS,AU<br>AW-AZ<br>,BB,B<br>D,BF,<br>BH,BK<br>,BM<br>BP,BR | 2            |
| -21A        | BACB30NN3K12 |                     | .BOLT-<br>(LIMITED)     | J,K,M<br>,Q,R,<br>T-V,X<br>,Z,AD<br>,AE<br>AG,AJ<br>,AL,A<br>N,AQ,<br>AS,AU<br>AW-AZ<br>,BB,B<br>D,BF,<br>BH,BK<br>,BM<br>BP,BR | 2            |
| -21B        | BACB30LH3U11 |                     | .BOLT-<br>(LIMITED)     | BT,BV<br>,BX,B<br>Z,CB,<br>CJ,CU<br>,DB<br>DT,DV  | 2            |
| -21C        | BACB30LH3U12 |                     | .BOLT-<br>(LIMITED)     | BT,BV<br>,BX,B<br>Z,CB,<br>CJ,CU<br>,DB<br>DT,DV  | 2            |

# 71-11-56

 ILLUSTRATED PARTS LIST  
 01.1 Page 1078  
 Nov 01/04

**BOEING**  
COMPONENT  
MAINTENANCE MANUAL

| FIG. & ITEM | PART NO.      | AIRLINE PART NUMBER | NOMENCLATURE                   | EFF CODE   | QTY PER ASSY |
|-------------|---------------|---------------------|--------------------------------|--|--------------|
| 09-25       | BACB30VF08K11 |                     | 1234567<br>.BOLT-<br>(LIMITED) | J,K,M<br>,Q,R,<br>T-V,X<br>,Z,AD<br>,AE<br>AG,AJ<br>,AL,A<br>N,AQ,<br>AS,AU<br>AW-AZ<br>,BB,B<br>D,BF,<br>BH,BK<br>,BM<br>BP,BR<br>,BT,B<br>V,BX,<br>BZ,CB<br>,CJ<br>CU,DB<br>,DT,D<br>V | 1            |
| -25A        | BACB30VF08K12 |                     | .BOLT-<br>(LIMITED)            | J,K,M<br>,Q,R,<br>T-V,X<br>,Z,AD<br>,AE<br>AG,AJ<br>,AL,A<br>N,AQ,<br>AS,AU<br>AW-AZ<br>,BB,B<br>D,BF,<br>BH,BK<br>,BM<br>BP,BR<br>,BT,B<br>V,BX,<br>BZ,CB<br>,CJ<br>CU,DB<br>,DT,D<br>V | 1            |

71-11-56

ILLUSTRATED PARTS LIST  
01.1 Page 1078A  
Nov 01/04

| FIG. & ITEM | PART NO.   | AIRLINE PART NUMBER | NOMENCLATURE<br>1234567 | EFF CODE  | QTY PER ASSY |
|-------------|------------|---------------------|-------------------------|---|--------------|
| 09-27       | 315U4305-7 |                     | .STRIP-RUB              | J,K,M<br>,N,V,<br>Z,AE,<br>AJ,AN<br>,AQ<br>AW,AY<br>,BB,B<br>F,BK,<br>BP,BT<br>,BX<br>CB,CU<br>,DT  | 1            |
| -28         | 315U4305-8 |                     | .STRIP-RUB              | Q,R,T<br>,U,X,<br>AD,AG<br>,AL,A<br>S,AU<br>AX,AZ<br>,BD,B<br>H,BM,<br>BR,BV<br>,BZ<br>CJ,DB<br>,DV | 1            |

# 71-11-56

 ILLUSTRATED PARTS LIST  
 01.1 Page 1078B  
 Nov 01/04



 **BOEING**  
COMPONENT  
MAINTENANCE MANUAL

| FIG. & ITEM | PART NO.    | AIRLINE PART NUMBER | NOMENCLATURE                                   | EFF CODE   | QTY PER ASSY |
|-------------|-------------|---------------------|--|--|--------------|
| 09-30       | BACR15BA3AD |                     | 1234567<br>.RIVET-<br>(SIZE DETERMINE ON INST) | J,K,M<br>,Q,R,<br>T-V,X<br>,Z,AD<br>,AE<br>AG,AJ<br>,AL,A<br>N,AQ,<br>AS,AU<br>AW-AZ<br>,BB,B<br>D,BF,<br>BH,BK<br>,BM<br>BP,BR<br>,BT,B<br>V,BX,<br>BZ,CB<br>,CJ<br>CU,DB<br>,DT,D<br>V | 74           |
| 35          | BACR15CE3D  |                     | .RIVET-<br>(SIZE DETERMINE ON INST)            | J,K,M<br>,Q,R,<br>T-V,X<br>,Z,AD<br>,AE<br>AG,AJ<br>,AL,A<br>N,AQ,<br>AS,AU<br>AW-AZ<br>,BB,B<br>D,BF,<br>BH,BK<br>,BM<br>BP,BR<br>,BT,B<br>V,BX,<br>BZ,CB<br>,CJ<br>CU,DB<br>,DT,D<br>V | 4            |

71-11-56

ILLUSTRATED PARTS LIST  
01.1 Page 1078C  
Nov 01/04

| FIG. & ITEM | PART NO.      | AIRLINE PART NUMBER | NOMENCLATURE<br>1234567  | EFF CODE   | QTY PER ASSY |
|-------------|---------------|---------------------|--|--|--------------|
| 09-40       | BRF100C3D     |                     | .NUTPLATE-<br>(V52828)<br>(SPEC BACN10KB3CFD)<br>(OPT F51604-3<br>(V15653))<br>(OPT 102F9207P3<br>(V72962))<br>(OPT F51604-3<br>(V15653))            | J,K,M<br>,Q,R,<br>T-V,X<br>,Z,AD<br>,AE<br>AG,AJ<br>,AL,A<br>N,AQ,<br>AS,AU<br>AW-AZ<br>,BB,B<br>D,BF,<br>BH,BK<br>,BM<br>BP,BR<br>,BT,B<br>V,BX,<br>BZ,CB<br>,CJ<br>CU,DB<br>,DT,D<br>V | 14           |
| 45          | NS202493-02-3 |                     | .NUTPLATE-<br>(V80539)<br>(SPEC BACN10KE3B3CD)<br>(OPT 102A9213-3-3<br>(V72962))<br>(OPT F51747-3-3CD<br>(V15653))<br>(OPT BRFR220C3-3D<br>(V52828)) | J,K,M<br>,Q,R,<br>T-V,X<br>,Z,AD<br>,AE<br>AG,AJ<br>,AL,A<br>N,AQ,<br>AS,AU<br>AW-AZ<br>,BB,B<br>D,BF,<br>BH,BK<br>,BM<br>BP,BR<br>,BT,B<br>V,BX,<br>BZ,CB<br>,CJ<br>CU,DB<br>,DT,D<br>V | 8            |

# 71-11-56

 ILLUSTRATED PARTS LIST  
 01.1 Page 1078D  
 Nov 01/04

**BOEING**  
COMPONENT  
MAINTENANCE MANUAL

| FIG. & ITEM     | PART NO.                 | AIRLINE PART NUMBER | NOMENCLATURE<br>1234567   | EFF CODE   | QTY PER ASSY |
|-----------------|--------------------------|---------------------|---|--|--------------|
| 09-<br>50<br>55 | BRF100C08D<br>BRFM20C08D |                     | DELETED<br>.NUTPLATE-<br>(V52828)<br>(SPEC BACN10JN08CD)<br>(OPT T8301C832CD<br>(V11815))<br>(OPT 102F9201M82<br>(V72962))<br>(OPT NS20487-82<br>(V80539))<br>(OPT MF51637-08<br>(V15653))<br>(OPT T8124S08CDS<br>(V11815)) | J,K,M<br>,Q,R,<br>T-V,X<br>,Z,AD<br>,AE<br>AG,AJ<br>,AL,A<br>N,AQ,<br>AS,AU<br>AW-AZ<br>,BB,B<br>D,BF,<br>BH,BK<br>,BM<br>BP,BR<br>,BT,B<br>V,BX,<br>BZ,CB<br>,CJ<br>CU,DB<br>,DT,D<br>V | 14           |
| 60              | 102F9209M3               |                     | .NUTPLATE-<br>(V72962)<br>(SPEC BACN10KH3CD)<br>(OPT FS1651-3<br>(V15653))<br>(OPT NS202496-02<br>(V80539))   | J,K,M<br>,Q,R,<br>T-V,X<br>,Z,AD<br>,AE<br>AG,AJ<br>,AL,A<br>N,AQ,<br>AS,AU<br>AW-AZ<br>,BB,B<br>D,BF,<br>BH,BK<br>,BM<br>BP,BR<br>,BT,B<br>V,BX,<br>BZ,CB<br>,CJ<br>CU,DB<br>,DT,D<br>V | 3            |

71-11-56

ILLUSTRATED PARTS LIST  
01.1 Page 1078E  
Nov 01/04

| FIG. & ITEM | PART NO.       | AIRLINE PART NUMBER | NOMENCLATURE                        | EFF CODE   | QTY PER ASSY |
|-------------|----------------|---------------------|-------------------------------------|--|--------------|
| 09-65       | BACR15CE5D     |                     | .RIVET-<br>(SIZE DETERMINE ON INST) | J,K,M<br>,Q,R,<br>T-V,X<br>,Z,AD<br>,AE<br>AG,AJ<br>,AL,A<br>N,AQ,<br>AS,AU<br>AW-AZ<br>,BB,B<br>D,BF,<br>BH,BK<br>,BM<br>BP,BR<br>,BT,B<br>V,BX,<br>BZ,CB<br>,CJ<br>CU,DB<br>,DT,D<br>V | 2            |
| 70          | BACF3T06F9G9   |                     | DELETED                             |  |              |
| -70A        | BACF3T01B9G9   |                     | DELETED                             |  |              |
| -70B        | BACF3T01F9G9   |                     | DELETED                             |  |              |
| 70C         | BACF3T06F09G09 |                     | . FILLER                            | J,K,M<br>,Q,R,<br>T-V,X<br>,Z,AD<br>,AE<br>AG,AJ<br>,AL,A<br>N,AQ,<br>AS,AU<br>AW-AZ<br>,BB,B<br>D,BF,<br>BH,BK<br>,BM<br>BP,BR<br>,BT,B<br>V,BX,<br>BZ                                  | 1            |

# 71-11-56

 ILLUSTRATED PARTS LIST  
 01.1 Page 1078F  
 Nov 01/04

**BOEING**  
COMPONENT  
MAINTENANCE MANUAL

| FIG. & ITEM | PART NO.        | AIRLINE PART NUMBER | NOMENCLATURE               | EFF CODE   | QTY PER ASSY |
|-------------|-----------------|---------------------|----------------------------|--|--------------|
| 09-<br>-70D | BACF3T01B09G09  |                     | .FILLER-<br>(OPT ITEM 70E) | CB,CJ<br>,CU,<br>DB,DT<br>,DV  | 1            |
| -70E        | BACF3T06F09G09  |                     | .FILLER-<br>(OPT ITEM 70D) | CB,CJ<br>,CU,<br>DB,DT<br>,DV  | 1            |
| 75          | BACS40R007E009F |                     | .SHIM                      | J,K,M<br>,Q,R,<br>T-V,X<br>,Z,AD<br>,AE<br>AG,AJ<br>,AL,A<br>N,AQ,<br>AS,AU<br>AW-AZ<br>,BB,B<br>D,BF,<br>BH,BK<br>,BM<br>BP,BR<br>,BT,B<br>V,BX,<br>BZ,CB<br>,CJ<br>CU,DB<br>,DT,D<br>V | 2            |

**71-11-56**

ILLUSTRATED PARTS LIST  
01.1 Page 1078G  
Nov 01/04

| FIG. & ITEM | PART NO.     | AIRLINE PART NUMBER | NOMENCLATURE<br>1234567     | EFF CODE  | QTY PER ASSY |
|-------------|--------------|---------------------|-----------------------------|---|--------------|
| 09-80       | 315U4305-39  |                     | . FILLER ASSY-<br>(LIMITED) | J,K,M<br>,V,Z,<br>AE,AJ<br>,AN,A<br>Q,AW<br>AY,BB<br>,BF,B<br>K,BP        | 1            |
| -80A        | 315U4305-101 |                     | . FILLER ASSY-<br>(LIMITED) | J,K,M<br>,V,Z,<br>AE,AJ<br>,AN,A<br>Q,AW<br>AY,BB<br>,BF,B<br>K,BP        | 1            |
| -80B        | 315U4305-101 |                     | . FILLER ASSY-<br>(LIMITED) | BT,BX   | 1            |
| -80C        | 315U4305-111 |                     | . FILLER ASSY-<br>(LIMITED) | BT,BX   | 1            |
| -80D        | 315U4305-111 |                     | . FILLER ASSY               | CB,CU   | 1            |
| -85         | 315U4305-40  |                     | . FILLER ASSY-<br>(LIMITED) | Q,R,T<br>,U,X,<br>AD,AG<br>,AL,A<br>S,AU<br>AX,AZ<br>,BD,B<br>H,BM,<br>BR | 1            |

# 71-11-56

 ILLUSTRATED PARTS LIST  
 01.1 Page 1078H  
 Nov 01/04



**BOEING**  
COMPONENT  
MAINTENANCE MANUAL

| FIG. & ITEM | PART NO.                    | AIRLINE PART NUMBER | NOMENCLATURE<br>1234567                               | EFF CODE  | QTY PER ASSY |
|-------------|-----------------------------|---------------------|---|---|--------------|
| 09-<br>-85A | 315U4305-102                |                     | . FILLER ASSY-<br>(LIMITED)                           | Q,R,T<br>,U,X,<br>AD,AG<br>,AL,A<br>S,AU<br>AX,AZ<br>,BD,B<br>H,BM,<br>BR   | 1            |
| -85B        | 315U4305-102                |                     | . FILLER ASSY-<br>(LIMITED)                           | BV,BZ   | 1            |
| -85C        | 315U4305-112                |                     | . FILLER ASSY-<br>(LIMITED)                           | BV,BZ   | 1            |
| -85D<br>90  | 315U4305-112<br>BACR15BA3AD |                     | . FILLER ASSY<br>..RIVET-<br>(SIZE DETERMINE ON INST) | CJ,DB<br>J,K,M<br>,Q,R,<br>T-V,X<br>,Z,AD<br>,AE<br>AG,AJ<br>,AL,A<br>N,AQ,<br>AS,AU<br>AW-AZ<br>,BB,B<br>D,BF,<br>BH,BK<br>,BM<br>BP,BR<br>,BT,B<br>V,BX,<br>BZ,CB<br>,CJ<br>CU,DB | 1<br>2       |

**71-11-56**

ILLUSTRATED PARTS LIST  
01.1 Page 1078I  
Nov 01/04

| FIG. & ITEM | PART NO.     | AIRLINE PART NUMBER | NOMENCLATURE<br>1234567  | EFF CODE   | QTY PER ASSY |
|-------------|--------------|---------------------|--|--|--------------|
| 09-95       | BRF100C3D    |                     | ..NUTPLATE-<br>(V52828)<br>(SPEC BACN10KB3CFD)<br>(OPT F51604-3<br>(V15653))<br>(OPT 102F9207P3<br>(V72962))<br>(OPT F51604-3<br>(V15653)) | J,K,M<br>,Q,R,<br>T-V,X<br>,Z,AD<br>,AE<br>AG,AJ<br>,AL,A<br>N,AQ,<br>AS,AU<br>AW-AZ<br>,BB,B<br>D,BF,<br>BH,BK<br>,BM<br>BP,BR<br>,BT,B<br>V,BX,<br>BZ,CB<br>,CJ<br>CU,DB | 1            |
| 100         | 315U4305-41  |                     | ..FILLER-TAPERED<br>(USED ON ITEM 80)  | J,K,M<br>,V,Z,<br>AE,AJ<br>,AN,A<br>Q,AW<br>AY,BB<br>,BF,B<br>K,BP   | 1            |
| -100A       | 315U4305-103 |                     | ..FILLER-TAPERED<br>(USED ON ITEMS 80A, 80B)   | J,K,M<br>,V,Z,<br>AE,AJ<br>,AN,A<br>Q,AW<br>AY,BB<br>,BF,B<br>K,BP,<br>BT,BX   | 1            |

# 71-11-56

 ILLUSTRATED PARTS LIST  
 01.1 Page 1078J  
 Nov 01/04



 **BOEING**  
COMPONENT  
MAINTENANCE MANUAL

| FIG. & ITEM  | PART NO.     | AIRLINE PART NUMBER | NOMENCLATURE<br>1234567  | EFF CODE  | QTY PER ASSY |
|--------------|--------------|---------------------|--|---|--------------|
| 09-<br>-100B | 315U4305-113 |                     | ..FILLER-TAPERED<br>(USED ON ITEMS 80C, 80D)   | BT,BX<br>,CB,C<br>U   | 1            |
| -105         | 315U4305-42  |                     | ..FILLER-TAPERED<br>(USED ON ITEM 85)  | Q,R,T<br>,U,X,<br>AD,AG<br>,AL,A<br>S,AU<br>AX,AZ<br>,BD,B<br>H,BM,<br>BR           | 1            |
| -105A        | 315U4305-104 |                     | ..FILLER-TAPERED<br>(USED ON ITEMS 85A, 85B)   | Q,R,T<br>,U,X,<br>AD,AG<br>,AL,A<br>S,AU<br>AX,AZ<br>,BD,B<br>H,BM,<br>BR,BV<br>,BZ | 1            |
| -105B        | 315U4305-114 |                     | ..FILLER-TAPERED<br>(USED ON ITEMS 85C, 85D)   | BV,BZ<br>,CJ,<br>DB   | 1            |
| 106          | BACR15BA3AD  |                     | .RIVET-<br>(SIZE DETERMINE ON INST)  | DT,DV   | 2            |
| 107          | BRF100C3D    |                     | .NUTPLATE-<br>(V52828)<br>(SPEC BACN10KB3CFD)<br>(OPT NS202478-02<br>(V80539))<br>(OPT 102F9207P3<br>(V72962))<br>(OPT F51604-3<br>(V15653)) | DT,DV   | 1            |

71-11-56

ILLUSTRATED PARTS LIST  
01.1 Page 1078K  
Nov 01/04

| FIG. & ITEM | PART NO.     | AIRLINE PART NUMBER | NOMENCLATURE<br>1234567                        | EFF CODE  | QTY PER ASSY |
|-------------|--------------|---------------------|--|---|--------------|
| 09-         |              |                     |  |   |              |
| 108         | 315U4305-113 |                     | . FILLER                                       | DT  | 1            |
| -109        | 315U4305-114 |                     | . FILLER                                       | DV  | 1            |
| 110         | BACR15CE5D   |                     | . RIVET-<br>(SIZE DETERMINE ON INST)           | J, K, M<br>, Q, R,<br>T-V, X<br>, Z, AD<br>, AE<br>AG, AJ<br>, AL, A<br>N, AQ,<br>AS, AU<br>AW-AZ<br>, BB, B<br>D, BF,<br>BH, BK<br>, BM<br>BP, BR<br>, BT, B<br>V, BX,<br>BZ, CB<br>, CJ<br>CU, DB | 2            |
| 115         | 315U4305-47  |                     | . FILLER ASSY                                  | J, K, M<br>, V, Z,<br>AE, AJ<br>, AN, A<br>Q, AW<br>AY, BB<br>, BF, B<br>K, BP  | 1            |
| -115A       | 315U4305-47  |                     | . FILLER ASSY-<br>(LIMITED)<br>(OPT ITEM 115B) | BT, BX  | 1            |
| -115B       | 315U4305-107 |                     | . FILLER ASSY-<br>(LIMITED)<br>(OPT ITEM 115A) | BT, BX  | 1            |
| -115C       | 315U4305-115 |                     | . FILLER ASSY-<br>(LIMITED)                    | BT, BX  | 1            |
| -115D       | 315U4305-115 |                     | . FILLER ASSY                                  | CB, CU  | 1            |

# 71-11-56

 ILLUSTRATED PARTS LIST  
 01.1 Page 1078L  
 Nov 01/04

 **BOEING**  
COMPONENT  
MAINTENANCE MANUAL

| FIG. & ITEM  | PART NO.                    | AIRLINE PART NUMBER | NOMENCLATURE<br>1234567                               | EFF CODE  | QTY PER ASSY |
|--------------|-----------------------------|---------------------|---|---|--------------|
| 09-<br>-120  | 315U4305-48                 |                     | . FILLER ASSY   | Q,R,T<br>,U,X,<br>AD,AG<br>,AL,A<br>S,AU<br>AX,AZ<br>,BD,B<br>H,BM,<br>BR<br>BV,BZ  | 1            |
| -120A        | 315U4305-48                 |                     | . FILLER ASSY-<br>(LIMITED)<br>(OPT ITEM 120B)        |   | 1            |
| -120B        | 315U4305-108                |                     | . FILLER ASSY-<br>(LIMITED)<br>(OPT ITEM 120A)        | BV,BZ   | 1            |
| -120C        | 315U4305-116                |                     | . FILLER ASSY-<br>(LIMITED)                           | BV,BZ   | 1            |
| -120D<br>125 | 315U4305-116<br>BACR15BA3AD |                     | . FILLER ASSY<br>..RIVET-<br>(SIZE DETERMINE ON INST) | CJ,DB<br>J,K,M<br>,Q,R,<br>T-V,X<br>,Z,AD<br>,AE<br>AG,AJ<br>,AL,A<br>N,AQ,<br>AS,AU<br>AW-AZ<br>,BB,B<br>D,BF,<br>BH,BK<br>,BM<br>BP,BR<br>,BT,B<br>V,BX,<br>BZ,CB<br>,CJ<br>CU,DB | 1<br>4       |

71-11-56

ILLUSTRATED PARTS LIST  
01.1 Page 1078M  
Nov 01/04

| FIG. & ITEM | PART NO.     | AIRLINE PART NUMBER | NOMENCLATURE   | EFF CODE   | QTY PER ASSY |
|-------------|--------------|---------------------|--|--|--------------|
| 09-130      | BRF100C3D    |                     | ..NUTPLATE-<br>(V52828)<br>(SPEC BACN10KB3CFD)<br>(OPT F51604-3<br>(V15653))<br>(OPT 102F9207P3<br>(V72962))<br>(OPT F51604-3<br>(V15653)) | J,K,M<br>,Q,R,<br>T-V,X<br>,Z,AD<br>,AE<br>AG,AJ<br>,AL,A<br>N,AQ,<br>AS,AU<br>AW-AZ<br>,BB,B<br>D,BF,<br>BH,BK<br>,BM<br>BP,BR<br>,BT,B<br>V,BX,<br>BZ,CB<br>,CJ<br>CU,DB | 2            |
| 135         | NAS463YDD10H |                     | ..SPACER   | J,K,M<br>,Q,R,<br>T-V,X<br>,Z,AD<br>,AE<br>AG,AJ<br>,AL,A<br>N,AQ,<br>AS,AU<br>AW-AZ<br>,BB,B<br>D,BF,<br>BH,BK<br>,BM<br>BP,BR<br>,BT,B<br>V,BX,<br>BZ,CB<br>,CJ<br>CU,DB | 2            |

# 71-11-56

 ILLUSTRATED PARTS LIST  
 01.1 Page 1078N  
 Nov 01/04

 **BOEING**  
COMPONENT  
MAINTENANCE MANUAL

| FIG. & ITEM | PART NO.     | AIRLINE PART NUMBER | NOMENCLATURE<br>1234567  | EFF CODE  | QTY PER ASSY |
|-------------|--------------|---------------------|--|---|--------------|
| 09-140      | 315U4305-49  |                     | ..FILLER-TAPERED<br>(USED ON ITEMS 115,<br>115A)   | J,K,M<br>,V,Z,<br>AE,AJ<br>,AN,A<br>Q,AW<br>AY,BB<br>,BF,B<br>K,BP,<br>BT,BX        | 1            |
| -140A       | 315U4305-109 |                     | ..FILLER-TAPERED<br>(USED ON ITEM 115B)  | BT,BX   | 1            |
| -140B       | 315U4305-117 |                     | ..FILLER-TAPERED<br>(USED ON ITEMS 115C,<br>115D)  | BT,BX<br>,CB,C<br>U   | 1            |
| -145        | 315U4305-50  |                     | ..FILLER-TAPERED<br>(USED ON ITEM 120,<br>120A)  | Q,R,T<br>,U,X,<br>AD,AG<br>,AL,A<br>S,AU<br>AX,AZ<br>,BD,B<br>H,BM,<br>BR,BV<br>,BZ | 1            |
| -145A       | 315U4305-110 |                     | ..FILLER-TAPERED<br>(USED ON ITEM 120B)  | BV,BZ   | 1            |
| -145B       | 315U4305-118 |                     | ..FILLER-TAPERED<br>(USED ON ITEMS 120C,<br>120D)  | BV,BZ<br>,CJ,<br>DB   | 1            |
| 146         | BACR15BA3AD  |                     | .RIVET-<br>(SIZE DETERMINE ON INST)  | DT,DV   | 4            |
| 147         | BRF100C3D    |                     | .NUTPLATE-<br>(V52828)<br>(SPEC BACN10KB3CFD)<br>(OPT NS202478-02<br>(V80539))<br>(OPT 102F9207P3<br>(V72962))<br>(OPT F51604-3<br>(V15653)) | DT,DV   | 2            |
| 148         | NAS463YDD10H |                     | .SPACER  | DT,DV   | 2            |
| 149         | 315U4305-117 |                     | .FILLER  | DT  | 1            |
| -149M       | 315U4305-118 |                     | .FILLER  | DV  | 1            |
| 150         | 315U4305-3   |                     | DELETED  |   |              |
| -150A       | 315U4305-79  |                     | DELETED  |   |              |

71-11-56

ILLUSTRATED PARTS LIST  
01.1 Page 10780  
Nov 01/04

| FIG. & ITEM | PART NO.     | AIRLINE PART NUMBER | NOMENCLATURE<br>1234567  | EFF CODE   | QTY PER ASSY |
|-------------|--------------|---------------------|--|--|--------------|
| 09-150B     | 315U4305-81  |                     | .PANEL ASSY-<br>(LIMITED)  | J,K,M<br>,V,Z,<br>AE,AJ<br>,AN,A<br>Q,AW<br>AY,BB<br>,BF,B<br>K,BP | 1            |
| -150C       | 315U4305-83  |                     | .PANEL ASSY-<br>(LIMITED)  | J,K,M<br>,V,Z,<br>AE,AJ<br>,AN,A<br>Q,AW<br>AY,BB<br>,BF,B<br>K,BP | 1            |
| -150D       | 315U4305-91  |                     | .PANEL ASSY-<br>(LIMITED)  | J,K,M<br>,V,Z,<br>AE,AJ<br>,AN,A<br>Q,AW<br>AY,BB<br>,BF,B<br>K,BP | 1            |
| -150E       | 315U4305-97  |                     | .PANEL ASSY-<br>(LIMITED)  | J,K,M<br>,V,Z,<br>AE,AJ<br>,AN,A<br>Q,AW<br>AY,BB<br>,BF,B<br>K,BP | 1            |
| -150F       | 315U4305-97  |                     | .PANEL ASSY  | BT,BX<br>,CB,C<br>U  | 1            |
| -150G       | 315U4305-97  |                     | .PANEL ASSY-<br>(USED ON ITEMS 1C, 1D,<br>1E, 1F, 1G, 1H, 1J, 1K,<br>1L, 1M, 1N, 1P, 1Q) | DT   | 1            |
| -150H       | 315U4305-147 |                     | .PANEL ASSY-<br>(USED ON ITEMS 1R, 1S,<br>1T, 1U)  | DT   | 1            |
| -155        | 315U4305-4   |                     | DELETED  |  |              |
| -155A       | 315U4305-80  |                     | DELETED  |  |              |

# 71-11-56

 ILLUSTRATED PARTS LIST  
 01.1 Page 1078P  
 Nov 01/04

 **BOEING**  
COMPONENT  
MAINTENANCE MANUAL

| FIG. & ITEM  | PART NO.    | AIRLINE PART NUMBER | NOMENCLATURE<br>1234567  | EFF CODE  | QTY PER ASSY |
|--------------|-------------|---------------------|--|---|--------------|
| 09-<br>-155B | 315U4305-82 |                     | .PANEL ASSY-<br>(LIMITED)  | Q,R,T<br>,U,X,<br>AD,AG<br>,AL,A<br>S,AU<br>AX,AZ<br>,BD,B<br>H,BM,<br>BR | 1            |
| -155C        | 315U4305-84 |                     | .PANEL ASSY-<br>(LIMITED)  | Q,R,T<br>,U,X,<br>AD,AG<br>,AL,A<br>S,AU<br>AX,AZ<br>,BD,B<br>H,BM,<br>BR | 1            |
| -155D        | 315U4305-92 |                     | .PANEL ASSY-<br>(LIMITED)  | Q,R,T<br>,U,X,<br>AD,AG<br>,AL,A<br>S,AU<br>AX,AZ<br>,BD,B<br>H,BM,<br>BR | 1            |
| -155E        | 315U4305-98 |                     | .PANEL ASSY-<br>(LIMITED)  | Q,R,T<br>,U,X,<br>AD,AG<br>,AL,A<br>S,AU<br>AX,AZ<br>,BD,B<br>H,BM,<br>BR | 1            |
| -155F        | 315U4305-98 |                     | .PANEL ASSY  | BV,BZ<br>,CJ,<br>DB   | 1            |
| -155G        | 315U4305-98 |                     | .PANEL ASSY-<br>(USED ON ITEMS 5C, 5D,<br>5E, 5F, 5G, 5H, 5J, 5K,<br>5L, 5M, 5N, 5P, 5Q) | DV  | 1            |

**71-11-56**

ILLUSTRATED PARTS LIST  
01.1 Page 1078Q  
Nov 01/04

| FIG. & ITEM  | PART NO.     | AIRLINE PART NUMBER | NOMENCLATURE                                      | EFF CODE   | QTY PER ASSY |
|--------------|--------------|---------------------|---|--|--------------|
| 09-<br>-155H | 315U4305-148 |                     | .PANEL ASSY-<br>(USED ON ITEMS 5R, 5S,<br>5T, 5U) | DV   | 1            |
| 160          | BACB30VF08K5 |                     | ..BOLT  | J,K,M<br>,N,Q,<br>R,T-V<br>,X,Z,<br>AD,AE<br>AG,AJ<br>,AL,A<br>N,AQ,<br>AS,AU<br>AW-AZ<br>,BB,B<br>D,BF,<br>BH,BK<br>,BM<br>BP,BR<br>,BT,B<br>V,BX,<br>BZ,CB<br>,CJ<br>CU,DB<br>,DT,D<br>V | 17           |

# 71-11-56

 ILLUSTRATED PARTS LIST  
 01.1 Page 1078R  
 Nov 01/04



**BOEING**  
COMPONENT  
MAINTENANCE MANUAL

| FIG. & ITEM | PART NO.     | AIRLINE PART NUMBER | NOMENCLATURE        | EFF CODE   | QTY PER ASSY |
|-------------|--------------|---------------------|---------------------|--|--------------|
| 09-165      | AN960C8      |                     | 1234567<br>..WASHER | J,K,M<br>,Q,R,<br>T-V,X<br>,Z,AD<br>,AE<br>AG,AJ<br>,AL,A<br>N,AQ,<br>AS,AU<br>AW-AZ<br>,BB,B<br>D,BF,<br>BH,BK<br>,BM<br>BP,BR<br>,BT,B<br>V,BX,<br>BZ,CB<br>,CJ<br>CU,DB<br>,DT,D<br>V | 2            |
| 170         | BACN10JC08CD |                     | ..NUT               | J,K,M<br>,Q,R,<br>T-V,X<br>,Z,AD<br>,AE<br>AG,AJ<br>,AL,A<br>N,AQ,<br>AS,AU<br>AW-AZ<br>,BB,B<br>D,BF,<br>BH,BK<br>,BM<br>BP,BR<br>,BT,B<br>V,BX,<br>BZ,CB<br>,CJ<br>CU,DB<br>,DT,D<br>V | 17           |

71-11-56

ILLUSTRATED PARTS LIST  
01.1 Page 1078S  
Nov 01/04

| FIG. & ITEM        | PART NO.                  | AIRLINE PART NUMBER | NOMENCLATURE<br>1234567                                     | EFF CODE  | QTY PER ASSY |
|--------------------|---------------------------|---------------------|---|---|--------------|
| 09-<br>175<br>175A | 315U4305-5<br>315U4305-85 |                     | DELETED<br>..RETAINER                                       | J,K,M<br>,V,Z,<br>AE,AJ<br>,AN,A<br>Q,AW<br>AY,BB<br>,BF,B<br>K,BP,<br>BT,BX<br>,CB<br>CU,DT        | 1            |
| -180<br>-180A      | 315U4305-6<br>315U4305-86 |                     | DELETED<br>..RETAINER                                       | Q,R,T<br>,U,X,<br>AD,AG<br>,AL,A<br>S,AU<br>AX,AZ<br>,BD,B<br>H,BM,<br>BR,BV<br>,BZ<br>CJ,DB<br>,DV | 1            |
| 185<br>185A        | 315U4310-3<br>315U4310-11 |                     | DELETED<br>..SPRING-<br>(USED ON ITEMS 150B,<br>150C, 150D) | J,K,M<br>,V,Z,<br>AE,AJ<br>,AN,A<br>Q,AW<br>AY,BB<br>,BF,B<br>K,BP                                  | 1            |
| -185B              | 315U4310-23               |                     | ..SPRING-<br>(USED ON ITEMS 150E,<br>150F)                  | J,K,M<br>,V,Z,<br>AE,AJ<br>,AN,A<br>Q,AW<br>AY,BB<br>,BF,B<br>K,BP,<br>BT,BX<br>,CB<br>CU,DT        | 1            |

# 71-11-56

 ILLUSTRATED PARTS LIST  
 01.1 Page 1078T  
 Nov 01/04

 **BOEING**  
COMPONENT  
MAINTENANCE MANUAL

| FIG. & ITEM          | PART NO.                  | AIRLINE PART NUMBER | NOMENCLATURE<br>1234567  | EFF CODE  | QTY PER ASSY |
|----------------------|---------------------------|---------------------|--|---|--------------|
| 09-<br>-190<br>-190A | 315U4310-4<br>315U4310-12 |                     | DELETED<br>..SPRING-<br>(USED ON ITEMS 155B,<br>155C, 155D)      | Q,R,T<br>,U,X,<br>AD,AG<br>,AL,A<br>S,AU<br>AX,AZ<br>,BD,B<br>H,BK,<br>BM,BP<br>,BR                           | 1            |
| -190B                | 315U4310-24               |                     | ..SPRING-<br>(USED ON ITEMS 155E,<br>155F)                       | Q,R,T<br>,U,X,<br>AD,AG<br>,AL,A<br>S,AU<br>AX,AZ<br>,BD,B<br>H,BK,<br>BM,BP<br>,BR<br>BV,BZ<br>,CJ,<br>DB,DV | 1            |
| 195<br>195A          | 315U4310-1<br>315U4310-9  |                     | DELETED<br>..SEAL ASSY-SPR FLAP<br>(USED ON ITEMS 150B,<br>150C) | J,K,M<br>,V,Z,<br>AE,AJ<br>,AN,A<br>Q,AW<br>AY,BB<br>,BF,B<br>K,BP  | 1            |

71-11-56

| FIG. & ITEM   | PART NO.                  | AIRLINE PART NUMBER | NOMENCLATURE<br>1234567  | EFF CODE   | QTY PER ASSY |
|---------------|---------------------------|---------------------|--|--|--------------|
| 09-<br>-195B  | 315U4310-21               |                     | ..SEAL ASSY-SPR FLAP<br>(USED ON ITEM 150D)                      | J,K,M<br>,V,Z,<br>AE,AJ<br>,AN,A<br>Q,AW<br>AT,BB<br>,BF,B<br>K,BP                           | 1            |
| -195C         | 315U4310-27               |                     | ..SEAL ASSY-SPR FLAP<br>(USED ON ITEMS 150E,<br>150F, 150G)      | J,K,M<br>,V,Z,<br>AE,AJ<br>,AN,A<br>Q,AW<br>AY,BB<br>,BF,B<br>K,BP,<br>BT,BX<br>,CB<br>CU,DT | 1            |
| -195D         | 315U4310-31               |                     | ..SEAL ASSY-SPR FLAP<br>(USED ON ITEM 150H)                      | DT   | 1            |
| -200<br>-200A | 315U4310-2<br>315U4310-10 |                     | DELETED<br>..SEAL ASSY-SPR FLAP<br>(USED ON ITEMS 155B,<br>155C) | Q,R,T<br>,U,Z,<br>AD,AG<br>,AL,A<br>S,AU<br>AX,AZ<br>,BD,B<br>H,BM,<br>BR                    | 1            |

# 71-11-56

 ILLUSTRATED PARTS LIST  
 01.1 Page 1078V  
 Nov 01/04

 **BOEING**  
COMPONENT  
MAINTENANCE MANUAL

| FIG. & ITEM  | PART NO.                  | AIRLINE PART NUMBER | NOMENCLATURE<br>1234567                                     | EFF CODE  | QTY PER ASSY |
|--------------|---------------------------|---------------------|---|---|--------------|
| 09-<br>-200B | 315U4310-22               |                     | ..SEAL ASSY-SPR FLAP<br>(USED ON ITEM 155D)                 | Q,R,T<br>,U,X,<br>AD,AG<br>,AL,A<br>S,AU<br>AX,AZ<br>,BD,B<br>H,BM,<br>BR                                     | 1            |
| -200C        | 315U4310-28               |                     | ..SEAL ASSY-SPR FLAP<br>(USED ON ITEMS 155E,<br>155F, 155G) | Q,R,T<br>,U,X,<br>AD,AG<br>,AL,A<br>S,AU<br>AX,AZ<br>,BD,B<br>H,BK,<br>BM,BP<br>,BR<br>BV,BZ<br>,CJ,<br>DB,DV | 1            |
| -200D        | 315U4310-32               |                     | ..SEAL ASSY-SPR FLAP<br>(USED ON ITEM 155H)                 | DV  | 1            |
| 205<br>205A  | 315U4310-7<br>315U4310-15 |                     | DELETED<br>...FILLER-<br>(USED ON ITEM 195A)                | J,K,M<br>,V,Z,<br>AE,AJ<br>,AN,A<br>Q,AW<br>AY,BB<br>,BF,B<br>K,BP  | 1            |

71-11-56

ILLUSTRATED PARTS LIST  
01.1 Page 1078W  
Nov 01/04

| FIG. & ITEM   | PART NO.                  | AIRLINE PART NUMBER | NOMENCLATURE   | EFF CODE  | QTY PER ASSY |
|---------------|---------------------------|---------------------|--|---|--------------|
| 09-<br>-205B  | 315U4310-19               |                     | 1234567<br><br>...FILLER-<br>(USED ON ITEMS 195B,<br>195C, 195D) | J,K,M<br>,V,Z,<br>AE,AJ<br>,AN,A<br>Q,AW<br>AY,BB<br>,BF,B<br>K,BP,<br>BT,BX<br>,CB<br>CU,DT        | 1            |
| -210<br>-210A | 315U4310-8<br>315U4310-16 |                     | DELETED<br>...FILLER-<br>(USED ON ITEM 200A)                     | Q,R,T<br>,U,X,<br>AD,AG<br>,AL,A<br>S,AU<br>AX,AZ<br>,BD,B<br>H,BM,<br>BR                           | 1            |
| -210B         | 315U4310-20               |                     | ...FILLER-<br>(USED ON ITEM 200B,<br>200C, 200D)                 | Q,R,T<br>,U,X,<br>AD,AG<br>,AL,A<br>S,AU<br>AX,AZ<br>,BD,B<br>H,BM,<br>BR,BV<br>,BZ<br>CJ,DB<br>,DV | 1            |

# 71-11-56

 ILLUSTRATED PARTS LIST  
 01.1 Page 1078X  
 Nov 01/04

 **BOEING**  
COMPONENT  
MAINTENANCE MANUAL

| FIG. & ITEM        | PART NO.                  | AIRLINE PART NUMBER | NOMENCLATURE<br>1234567                      | EFF CODE   | QTY PER ASSY |
|--------------------|---------------------------|---------------------|--|--|--------------|
| 09-<br>215<br>215A | 315U4310-5<br>315U4310-13 |                     | DELETED<br>...SPRING-<br>(USED ON ITEM 195A) | J,K,M<br>,V,Z,<br>AE,AJ<br>,AN,A<br>Q,AW<br>AY,BB<br>,BF,B<br>K,BP                           | 1            |
| -215B              | 315U4310-17               |                     | ...SPRING-<br>(USED ON ITEM 195B)            | J,K,M<br>,V,Z,<br>AE,AJ<br>,AN,A<br>Q,AW<br>AY,BB<br>,BF,B<br>K,BP                           | 1            |
| -215C              | 315U4310-25               |                     | ...SPRING-<br>(USED ON ITEM 195C)            | J,K,M<br>,V,Z,<br>AE,AJ<br>,AN,A<br>Q,AW<br>AY,BB<br>,BF,B<br>K,BP,<br>BT,BX<br>,CB<br>CU,DT | 1            |
| -215D              | 315U4310-29               |                     | ...SPRING-<br>(USED ON ITEM 195D)            | DT   | 1            |

**71-11-56**

ILLUSTRATED PARTS LIST  
01.1 Page 1078Y  
Nov 01/04

| FIG. & ITEM          | PART NO.                  | AIRLINE PART NUMBER | NOMENCLATURE<br>1234567                      | EFF CODE  | QTY PER ASSY |
|----------------------|---------------------------|---------------------|--|---|--------------|
| 09-<br>-220<br>-220A | 315U4310-6<br>315U4310-14 |                     | DELETED<br>...SPRING-<br>(USED ON ITEM 200A) | Q,R,T<br>,U,X,<br>AD,AG<br>,AL,A<br>S,AU<br>AX,AZ<br>,BD,B<br>H,BM,<br>BR                           | 1            |
| -220B                | 315U4310-18               |                     | ...SPRING-<br>(USED ON ITEM 200B)            | Q,R,T<br>,U,X,<br>AD,AG<br>,AL,A<br>S,AU<br>AX,AZ<br>,BD,B<br>H,BM,<br>BR                           | 1            |
| -220C                | 315U4310-26               |                     | ...SPRING-<br>(USED ON ITEM 200C)            | Q,R,T<br>,U,X,<br>AD,AG<br>,AL,A<br>S,AU<br>AX,AZ<br>,BD,B<br>H,BM,<br>BR,BV<br>,BZ<br>CJ,DB<br>,DV | 1            |
| -220D                | 315U4310-30               |                     | ...SPRING-<br>(USED ON ITEM 200D)            | DV  | 1            |

# 71-11-56

 ILLUSTRATED PARTS LIST  
 01.1 Page 1078Z  
 Nov 01/04



**BOEING**  
COMPONENT  
MAINTENANCE MANUAL

| FIG. & ITEM | PART NO.    | AIRLINE PART NUMBER | NOMENCLATURE<br>1234567    | EFF CODE   | QTY PER ASSY |
|-------------|-------------|---------------------|----------------------------|--|--------------|
| 09-225      | BACR15BA5B6 |                     | ..RIVET                    | J,K,M<br>,Q,R,<br>T-V,X<br>,Z,AD<br>,AE<br>AG,AJ<br>,AL,A<br>N,AQ,<br>AS,AU<br>AW-AZ<br>,BB,B<br>D,BF,<br>BH,BK<br>,BM<br>BP,BR<br>,BT,B<br>V,BX,<br>BZ,CB<br>,CJ<br>CU,DB<br>,DT,D<br>V | 6            |
| 226         | BACR15BA5B6 |                     | ..RIVET-<br>(OPT ITEM 227) | J,K,M<br>,Q,R,<br>T-V,X<br>,Z,AD<br>,AE<br>AG,AJ<br>,AL,A<br>N,AQ,<br>AS,AU<br>AW-AZ<br>,BB,B<br>D,BF,<br>BH,BK<br>,BM<br>BP,BR<br>,BT,B<br>V,BX,<br>BZ,CB<br>,CJ<br>CU,DB<br>,DT,D<br>V | 6            |

**71-11-56**

ILLUSTRATED PARTS LIST  
01.1 Page 1079  
Nov 01/04

| FIG. & ITEM | PART NO.     | AIRLINE PART NUMBER | NOMENCLATURE                         | EFF CODE   | QTY PER ASSY |
|-------------|--------------|---------------------|--------------------------------------|--|--------------|
| 09-227      | BACB30VF08K2 |                     | 1234567<br>..BOLT-<br>(OPT ITEM 226) | J,K,M<br>,Q,R,<br>T-V,X<br>,Z,AD<br>,AE<br>AG,AJ<br>,AL,A<br>N,AQ,<br>AS,AU<br>AW-AZ<br>,BB,B<br>D,BF,<br>BH,BK<br>,BM<br>BP,BR<br>,BT,B<br>V,BX,<br>BZ,CB<br>,CJ<br>CU,DB<br>,DT,D<br>V | 6            |
| 230         | AN960KD8     |                     | ..WASHER                             | J,K,M<br>,Q,R,<br>T-V,X<br>,Z,AD<br>,AE<br>AG,AJ<br>,AL,A<br>N,AQ,<br>AS,AU<br>AW-AZ<br>,BB,B<br>D,BF,<br>BH,BK<br>,BM<br>BP,BR<br>,BT,B<br>V,BX,<br>BZ,CB<br>,CJ<br>CU,DB<br>,DT,D<br>V | 6            |

# 71-11-56

 ILLUSTRATED PARTS LIST  
 01.1 Page 1080  
 Nov 01/04

**BOEING**  
COMPONENT  
MAINTENANCE MANUAL

| FIG. & ITEM | PART NO.      | AIRLINE PART NUMBER | NOMENCLATURE  | EFF CODE   | QTY PER ASSY |
|-------------|---------------|---------------------|---|--|--------------|
| 09-231      | AN960KD8      |                     | 1234567<br>..WASHER-<br>(OPT ITEM 231A)<br>(USED WITH ITEM 226) | J,K,M<br>,Q,R,<br>T-V,X<br>,Z,AD<br>,AE<br>AG,AJ<br>,AL,A<br>N,AQ,<br>AS,AU<br>AW-AZ<br>,BB,B<br>D,BF,<br>BH,BK<br>,BM<br>BP,BR<br>,BT,B<br>V,BX,<br>BZ,CB<br>,CJ<br>CU,DB<br>,DT,D<br>V | 6            |
| -231A       | NAS1149DN832J |                     | ..WASHER-<br>(OPT ITEM 231)<br>(USED WITH ITEM 227)             | J,K,M<br>,Q,R,<br>T-V,X<br>,Z,AD<br>,AE<br>AG,AJ<br>,AL,A<br>N,AQ,<br>AS,AU<br>AW-AZ<br>,BB,B<br>D,BF,<br>BH,BK<br>,BM<br>BP,BR<br>,BT,B<br>V,BX,<br>BZ,CB<br>,CJ<br>CU,DB<br>,DT,D<br>V | 6            |

71-11-56

ILLUSTRATED PARTS LIST  
01.1 Page 1080A  
Nov 01/04

| FIG. & ITEM | PART NO.     | AIRLINE PART NUMBER | NOMENCLATURE                              | EFF CODE   | QTY PER ASSY |
|-------------|--------------|---------------------|---|--|--------------|
| 09-233      | BACN10JC08CD |                     | 1234567<br>..NUT-<br>(USED WITH ITEM 227) | J,K,M<br>,Q,R,<br>T-V,X<br>,Z,AD<br>,AE<br>AG,AJ<br>,AL,A<br>N,AQ,<br>AS,AU<br>AW-AZ<br>,BB,B<br>D,BF,<br>BH,BK<br>,BM<br>BP,BR<br>,BT,B<br>V,BX,<br>BZ,CB<br>,CJ<br>CU,DB<br>,DT,D<br>V | 6            |
| 235         | 315U4305-73  |                     | ..HINGE                                   | J,K,M<br>,Q,R,<br>T-V,X<br>,Z,AD<br>,AE<br>AG,AJ<br>,AL,A<br>N,AQ,<br>AS,AU<br>AW-AZ<br>,BB,B<br>D,BF,<br>BH,BK<br>,BM<br>BP,BR<br>,BT,B<br>V,BX,<br>BZ,CB<br>,CJ<br>CU,DB<br>,DT,D<br>V | 2            |

# 71-11-56

 ILLUSTRATED PARTS LIST  
 01.1 Page 1080B  
 Nov 01/04

**BOEING**  
COMPONENT  
MAINTENANCE MANUAL

| FIG. & ITEM | PART NO.   | AIRLINE PART NUMBER | NOMENCLATURE<br>1234567 | EFF CODE   | QTY PER ASSY |
|-------------|------------|---------------------|-------------------------|--|--------------|
| 09-240      | 315U4308-3 |                     | ..MOLDING-DOOR          | J,K,M<br>,V,Z,<br>AE,AJ<br>,AN,A<br>Q,AW<br>AY,BB<br>,BF,B<br>K,BP,<br>BT,BX<br>,CB<br>CU,DT   | 1            |
| -245        | 315U4308-4 |                     | ..MOLDING-DOOR          | Q,R,T<br>,U,X,<br>AD,AG<br>,AL,A<br>S,AU<br>AX,AZ<br>,BD,B<br>H,BM,<br>BR,BV<br>,BZ<br>CJ,DB<br>,DV  | 1            |
| 250         | 315U4308-5 |                     | ..MOLDING-DOOR          | J,K,M<br>,Q,R,<br>T-V,X<br>,Z,AD<br>,AE<br>AG,AJ<br>,AL,A<br>N,AQ,<br>AS,AU<br>AW-AZ<br>,BB,B<br>D,BF,<br>BH,BK<br>,BM<br>BP,BR<br>,BT,B<br>V,BX,<br>BZ,CB<br>,CJ<br>CU,DB<br>,DT,D<br>V | 1            |

71-11-56

ILLUSTRATED PARTS LIST  
01.1 Page 1080C  
Nov 01/04

| FIG. & ITEM | PART NO.   | AIRLINE PART NUMBER | NOMENCLATURE<br>1234567  | EFF CODE  | QTY PER ASSY |
|-------------|------------|---------------------|--|---|--------------|
| 09-255      | 315U4307-1 |                     | ..FAIRING-<br>(USED ON ITEM 150B)                                      | J,K,M<br>,V,Z,<br>AE,AJ<br>,AN,A<br>Q,AW<br>AY,BB<br>,BF,B<br>K,BP  | 1            |
| -255A       | 315U4307-3 |                     | ..FAIRING-<br>(USED ON ITEMS 150C,<br>150D, 150E, 150F, 150G,<br>150H) | J,K,M<br>,V,Z,<br>AE,AJ<br>,AN,A<br>Q,AW<br>AY,BB<br>,BF,B<br>K,BP,<br>BT,BX<br>,CB<br>CU,DT<br>Q,R,T<br>,U,X,<br>AD,AG<br>,AL,A<br>S,AU<br>AX,AZ<br>,BD,B<br>H,BM,<br>BR | 1            |
| -260        | 315U4307-2 |                     | ..FAIRING-<br>(USED ON ITEM 155B)                                      | Q,R,T<br>,U,X,<br>AD,AG<br>,AL,A<br>S,AU<br>AX,AZ<br>,BD,B<br>H,BM,<br>BR   | 1            |
| -260A       | 315U4307-4 |                     | ..FAIRING-<br>(USED ON ITEMS 155C,<br>155D, 155E, 155F, 155G,<br>155H) | Q,R,T<br>,U,X,<br>AD,AG<br>,AL,A<br>S,AU<br>AX,AZ<br>,BD,B<br>H,BM,<br>BR,BV<br>,BZ<br>CJ,DB<br>,DV   | 1            |

# 71-11-56

 ILLUSTRATED PARTS LIST  
 01.1 Page 1080D  
 Nov 01/04

**BOEING**  
COMPONENT  
MAINTENANCE MANUAL

| FIG. & ITEM | PART NO.     | AIRLINE PART NUMBER | NOMENCLATURE  | EFF CODE  | QTY PER ASSY |
|-------------|--------------|---------------------|---|---|--------------|
| 09-262      | NAS1399CW5   |                     | .RIVET-<br>(SIZE DETERMINE ON INST)<br>(USED WITH ITEMS 265,<br>270)      | J,K,M<br>,Q,R,<br>T-V,X<br>,Z,AD<br>,AE<br>AG,AJ<br>,AL,A<br>N,AQ,<br>AS,AU<br>AW-AZ<br>,BB,B<br>D,BF,<br>BH,BK<br>,BM<br>BP,BR | 3            |
| -262A       | BACR15FR5MP5 |                     | .RIVET-<br>(OPT ITEM 262B)<br>(USED WITH ITEMS 265A,<br>265B, 270A, 270B) | J,K,M<br>,Q,R,<br>T-V,Z<br>,AD,A<br>E,AG<br>AJ,AL<br>,AN,A<br>Q,AS,<br>AU,A<br>W-AZ<br>BB,BD<br>,BF,B<br>H,BK,<br>BM,BP<br>,BR  | 3            |
| -262B       | NAS1399CW5-5 |                     | .RIVET-<br>(OPT ITEM 262A)<br>(USED WITH ITEMS 265A,<br>265B, 270A, 270B) | J,K,M<br>,Q,R,<br>T-V,Z<br>,AD,A<br>E,AG<br>AJ,AL<br>,AN,A<br>Q,AS,<br>AU,A<br>W-AZ<br>BB,BD<br>,BF,B<br>H,BK,<br>BM,BP<br>,BR  | 3            |

71-11-56

ILLUSTRATED PARTS LIST  
01.1 Page 1080E  
Nov 01/04

| FIG. & ITEM  | PART NO.     | AIRLINE PART NUMBER | NOMENCLATURE<br>1234567      | EFF CODE   | QTY PER ASSY |
|--------------|--------------|---------------------|------------------------------|--|--------------|
| 09-<br>-262C | BACR15FR5MP5 |                     | .RIVET-<br>(OPT ITEM 262D)   | BT,BV<br>,BX,B<br>Z,CB,<br>CJ,CU<br>,DB<br>DT,DV                   | 3            |
| -262D        | NAS1399CW5-5 |                     | .RIVET-<br>(OPT ITEM 262C)   | BT,BV<br>,BX,B<br>Z,CB,<br>CJ,CU<br>,DB<br>DT,DV                   | 3            |
| 265          | 315U4305-13  |                     | .ANGLE ASSY-FWD<br>(LIMITED) | J,K,M<br>,V,Z,<br>AE,AJ<br>,AN,A<br>Q,AW<br>AY,BB<br>,BF,B<br>K,BP | 1            |
| -265A        | 315U4305-93  |                     | .ANGLE ASSY-FWD<br>(LIMITED) | J,K,M<br>,V,Z,<br>AE,AJ<br>,AN,A<br>Q,AW<br>AY,BB<br>,BF,B<br>K,BP | 1            |
| -265B        | 315U4305-93  |                     | .ANGLE ASSY-FWD              | BT,BX<br>,CB,C<br>U  | 1            |
| -265C        | 315U4305-95  |                     | .ANGLE ASSY-FWD              | DT   | 1            |

# 71-11-56

 ILLUSTRATED PARTS LIST  
 01.1 Page 1080F  
 Nov 01/04



 **BOEING**  
COMPONENT  
MAINTENANCE MANUAL

| FIG. & ITEM | PART NO.    | AIRLINE PART NUMBER | NOMENCLATURE<br>1234567            | EFF CODE  | QTY PER ASSY |
|-------------|-------------|---------------------|------------------------------------|---|--------------|
| 09-<br>-270 | 315U4305-14 |                     | .ANGLE ASSY-FWD<br>(LIMITED)       | Q,R,T<br>,U,X,<br>AD,AG<br>,AL,A<br>S,AU<br>AX,AZ<br>,BD,B<br>H,BM,<br>BR | 1            |
| -270A       | 315U4305-94 |                     | .ANGLE ASSY-FWD<br>(LIMITED)       | Q,R,T<br>,U,X,<br>AD,AG<br>,AL,A<br>S,AU<br>AX,AZ<br>,BD,B<br>H,BM,<br>BR | 1            |
| -270B       | 315U4305-94 |                     | .ANGLE ASSY-FWD                    | BV,BZ<br>,CJ,<br>DB   | 1            |
| -270C       | 315U4305-96 |                     | .ANGLE ASSY-FWD<br>ATTACHING PARTS | DV  | 1            |

**71-11-56**

ILLUSTRATED PARTS LIST  
01.1 Page 1080G  
Nov 01/04

| FIG. & ITEM                         | PART NO.   | AIRLINE PART NUMBER | NOMENCLATURE  | EFF CODE   | QTY PER ASSY |
|-------------------------------------|--|---------------------|---|--|--------------|
| 09-<br>275<br>-275A<br>-275B<br>280 | NAS1399CW5<br>BACR15FR5MP5<br>NAS1399CW5-5<br>BACR15FT5D |                     | 1234567<br><br>DELETED<br>DELETED<br>DELETED<br>.RIVET-<br>(SIZE DETERMINE ON INST) | J,K,M<br>,Q,R,<br>T-V,X<br>,Z,AD<br>,AE<br>AG,AJ<br>,AL,A<br>N,AQ,<br>AS,AU<br>AW-AZ<br>,BB,B<br>D,BF,<br>BH,BK<br>,BM<br>BP,BR<br>,BT,B<br>V,BX,<br>BZ,CB<br>,CJ<br>CU,DB<br>,DT,D<br>V | 2            |
| 285                                 | 315T3307-31  |                     | .ANGLE-TIE<br>(LIMITED)   | J,K,M<br>,V,Z,<br>AE,AJ<br>,AN,A<br>Q,AW<br>AY,BB<br>,BF,B<br>K,BP   | 1            |
| -285A                               | 315T3307-65  |                     | .ANGLE-TIE<br>(LIMITED)   | J,K,M<br>,V,Z,<br>AE,AJ<br>,AN,A<br>Q,AW<br>AY,BB<br>,BF,B<br>K,BP   | 1            |

# 71-11-56

 ILLUSTRATED PARTS LIST  
 01.1 Page 1080H  
 Nov 01/04

| FIG. & ITEM  | PART NO.    | AIRLINE PART NUMBER | NOMENCLATURE<br>1234567 | EFF CODE  | QTY PER ASSY |
|--------------|-------------|---------------------|-------------------------|---|--------------|
| 09-<br>-285B | 315T3307-65 |                     | .ANGLE-TIE              | BT,BX<br>,CB,C<br>U,DT  | 1            |
| -290         | 315T3307-32 |                     | .ANGLE-TIE<br>(LIMITED) | Q,R,T<br>,U,X,<br>AD,AG<br>,AL,A<br>S,AU<br>AX,AZ<br>,BD,B<br>H,BM,<br>BR | 1            |
| -290A        | 315T3307-66 |                     | .ANGLE-TIE<br>(LIMITED) | Q,R,T<br>,U,X,<br>AD,AG<br>,AL,A<br>S,AU<br>AX,AZ<br>,BD,B<br>H,BM,<br>BR | 1            |
| -290B        | 315T3307-66 |                     | .ANGLE-TIE              | BV,BZ<br>,CJ,<br>DB,DV  | 1            |

71-11-56

ILLUSTRATED PARTS LIST  
01.1 Page 1080I  
Nov 01/04

| FIG. & ITEM | PART NO.    | AIRLINE PART NUMBER | NOMENCLATURE<br>1234567             | EFF CODE   | QTY PER ASSY |
|-------------|-------------|---------------------|-------------------------------------|--|--------------|
| 09-292      | BACR15FT5D  |                     | .RIVET-<br>(SIZE DETERMINE ON INST) | J,K,M<br>,Q,R,<br>T-V,X<br>,Z,AD<br>,AE<br>AG,AJ<br>,AL,A<br>N,AQ,<br>AS,AU<br>AW-AZ<br>,BB,B<br>D,BF,<br>BH,BK<br>,BM<br>BP,BR<br>,BT,B<br>V,BX,<br>BZ,CB<br>,CJ<br>CU,DB<br>,DT,D<br>V | 6            |
| 295         | 315U4305-17 |                     | .ANGLE ASSY                         | J,K,M<br>,V,Z,<br>AE,AJ<br>,AN,A<br>Q,AW<br>AY,BB<br>,BF,B<br>K,BP,<br>BT,BX<br>,CB<br>CU<br>DT  | 1            |
| -295A       | 315U4305-19 |                     | .ANGLE                              |  | 1            |

# 71-11-56

 ILLUSTRATED PARTS LIST  
 01.1 Page 1080J  
 Nov 01/04

| FIG. & ITEM   | PART NO.                   | AIRLINE PART NUMBER | NOMENCLATURE<br>1234567 | EFF CODE   | QTY PER ASSY |
|---------------|----------------------------|---------------------|-------------------------|--|--------------|
| 09-<br>-300   | 315U4305-18                |                     | .ANGLE ASSY             | Q,R,T<br>,U,X,<br>AD,AG<br>,AL,A<br>S,AU<br>AX,AZ<br>,BD,B<br>H,BM,<br>BR,BV<br>,BZ<br>CJ,DB       | 1            |
| -300A<br>305  | 315U4305-20<br>315U4305-25 |                     | .ANGLE<br>.ANGLE ASSY   | DV<br>J,K,M<br>,V,Z,<br>AE,AJ<br>,AN,A<br>Q,AW<br>AY,BB<br>,BF,B<br>K,BP,<br>BT,BX<br>,CB<br>CU    | 1<br>1       |
| -305A<br>-310 | 315U4305-27<br>315U4305-26 |                     | .ANGLE<br>.ANGLE ASSY   | DT<br>Q,R,T<br>,U,X,<br>AD,AG<br>,AL,A<br>S,AU<br>AX,AZ<br>,BD,B<br>H,BM,<br>BR,BV<br>,BZ<br>CJ,DB | 1<br>1       |

71-11-56

ILLUSTRATED PARTS LIST  
01.1 Page 1080K  
Nov 01/04

| FIG. & ITEM | PART NO.    | AIRLINE PART NUMBER | NOMENCLATURE<br>1234567 | EFF CODE   | QTY PER ASSY |
|-------------|-------------|---------------------|-------------------------|--|--------------|
| 09-         |             |                     |                         |  |              |
| -310A       | 315U4305-28 |                     | .ANGLE                  | DV   | 1            |
| 315         | 315U4305-31 |                     | .ANGLE ASSY             | J,K,M<br>,V,Z,<br>AE,AJ<br>,AN,A<br>Q,AW<br>AY,BB<br>,BF,B<br>K,BP,<br>BT,BX<br>,CB<br>CU    | 1            |
| -315A       | 315U4305-33 |                     | .ANGLE                  | DT   | 1            |
| -320        | 315U4305-32 |                     | .ANGLE ASSY             | Q,R,T<br>,U,X,<br>AD,AG<br>,AL,A<br>S,AU<br>AX,AZ<br>,BD,B<br>H,BM,<br>BR,BV<br>,BZ<br>CJ,DB | 1            |

# 71-11-56

 ILLUSTRATED PARTS LIST  
 01.1 Page 1080L  
 Nov 01/04

 **BOEING**  
COMPONENT  
MAINTENANCE MANUAL

| FIG. & ITEM | PART NO.    | AIRLINE PART NUMBER | NOMENCLATURE<br>1234567  | EFF CODE  | QTY PER ASSY |
|-------------|-------------|---------------------|--------------------------|---|--------------|
| 09-         |             |                     |                          |   |              |
| -320A       | 315U4305-34 |                     | .ANGLE                   | DV  | 1            |
| 325         | BACR15FT5D  |                     | DELETED                  |   |              |
| 330         | BACR15FT6D  |                     | .RIVET-                  | J,K,M   | 10           |
|             |             |                     | (SIZE DETERMINE ON INST) | ,Q,R,<br>T-V,X<br>,Z,AD<br>,AE<br>AG,AJ<br>,AL,A<br>N,AQ,<br>AS,AU<br>AW-AZ<br>,BB,B<br>D,BF,<br>BH,BK<br>,BM<br>BP,BR<br>,BT,B<br>V,BX,<br>BZ,CB<br>,CJ<br>CU,DB<br>,DT,D<br>V |              |

71-11-56

ILLUSTRATED PARTS LIST  
01.1 Page 1080M  
Nov 01/04

| FIG. & ITEM | PART NO.    | AIRLINE PART NUMBER | NOMENCLATURE                        | EFF CODE   | QTY PER ASSY |
|-------------|-------------|---------------------|-------------------------------------|--|--------------|
| 09-335      | BACR15FT5D  |                     | .RIVET-<br>(SIZE DETERMINE ON INST) | J,K,M<br>,Q,R,<br>T-V,X<br>,Z,AD<br>,AE<br>AG,AJ<br>,AL,A<br>N,AQ,<br>AS,AU<br>AW-AZ<br>,BB,B<br>D,BF,<br>BH,BK<br>,BM<br>BP,BR<br>,BT,B<br>V,BX,<br>BZ,CB<br>,CJ<br>CU,DB<br>,DT,D<br>V | 2            |
| 340         | 315U4305-23 |                     | .SUPPORT                            | J,K,M<br>,V,Z,<br>AE,AJ<br>,AN,A<br>Q,AW<br>AY,BB<br>,BF,B<br>K,BP,<br>BT,BX<br>,CB<br>CU,DT   | 1            |
| -345        | 315U4305-24 |                     | .SUPPORT                            | Q,R,T<br>,U,X,<br>AD,AG<br>,AL,A<br>S,AU<br>AX,AZ<br>,BD,B<br>H,BM,<br>BR,BV<br>,BZ<br>CJ,DB<br>,DV  | 1            |

# 71-11-56

 ILLUSTRATED PARTS LIST  
 01.1 Page 1080N  
 Nov 01/04



| FIG. & ITEM | PART NO.    | AIRLINE PART NUMBER | NOMENCLATURE<br>1234567 | EFF CODE  | QTY PER ASSY |
|-------------|-------------|---------------------|-------------------------|---|--------------|
| 09-350      | 315U4305-29 |                     | . SUPPORT               | J, K, M<br>, V, Z,<br>AE, AJ<br>, AN, A<br>Q, AW<br>AY, BB<br>, BF, B<br>K, BP,<br>BT, BX<br>, CB<br>CU, DT         | 1            |
| -355        | 315U4305-30 |                     | . SUPPORT               | Q, R, T<br>, U, X,<br>AD, AG<br>, AL, A<br>S, AU<br>AX, AZ<br>, BD, B<br>H, BM,<br>BR, BV<br>, BZ<br>CJ, DB<br>, DV | 1            |
| 360         | 315U4305-71 |                     | . SUPPORT               | J, K, M<br>, V, Z,<br>AE, AJ<br>, AN, A<br>Q, AW<br>AY, BB<br>, BF, B<br>K, BP,<br>BT, BX<br>, CB<br>CU, DT         | 1            |

71-11-56

ILLUSTRATED PARTS LIST  
01.1 Page 10800  
Nov 01/04

| FIG. & ITEM | PART NO.    | AIRLINE PART NUMBER | NOMENCLATURE<br>1234567 | EFF CODE  | QTY PER ASSY |
|-------------|-------------|---------------------|-------------------------|---|--------------|
| 09-<br>-365 | 315U4305-72 |                     | .SUPPORT                | Q,R,T<br>,U,X,<br>AD,AG<br>,AL,A<br>S,AU<br>AX,AZ<br>,BD,B<br>H,BM,<br>BR,BV<br>,BZ<br>CJ,DB<br>,DV | 1            |
| 370         | 315U4305-87 |                     | .ANGLE ASSY             | J,K,M<br>,V,Z,<br>AE,AJ<br>,AN,A<br>Q,AW<br>AY,BB<br>,BF,B<br>K,BP,<br>BT,BX<br>,CB<br>CU           | 1            |
| -370A       | 315U4305-89 |                     | .ANGLE                  | DT  | 1            |
| -375        | 315U4305-88 |                     | .ANGLE ASSY             | Q,R,T<br>,U,X,<br>AD,AG<br>,AL,A<br>S,AU<br>AX,AZ<br>,BD,B<br>H,BM,<br>BR,BV<br>,BZ<br>CJ,DB        | 1            |
| -375A       | 315U4305-90 |                     | .ANGLE                  | DV  | 1            |

# 71-11-56

 ILLUSTRATED PARTS LIST  
 01.1 Page 1080P  
 Nov 01/04

 **BOEING**  
COMPONENT  
MAINTENANCE MANUAL

| FIG. & ITEM | PART NO.    | AIRLINE PART NUMBER | NOMENCLATURE<br>1234567 | EFF CODE  | QTY PER ASSY |
|-------------|-------------|---------------------|-------------------------|---|--------------|
| 09-380      | 315U4305-35 |                     | . SUPPORT ASSY          | J, K, M<br>, V, Z,<br>AE, AJ<br>, AN, A<br>Q, AW<br>AY, BB<br>, BF, B<br>K, BP,<br>BT, BX<br>, CB<br>CU           | 1            |
| -380A       | 315U4305-37 |                     | . SUPPORT               | DT  | 1            |
| -385        | 315U4305-36 |                     | . SUPPORT ASSY          | Q, R, T<br>, U, X,<br>AD, AG<br>, AL, A<br>S, AU<br>AX, AZ<br>, BD, B<br>H, BM,<br>BR, BV<br>, BZ<br>CJ, DB<br>DV | 1            |
| -385A       | 315U4305-38 |                     | . SUPPORT               | DV  | 1            |
| 390         | BACR15FT6D  |                     | DELETED                 |   |              |
| 395         | 315U4305-43 |                     | . SUPPORT ASSY          | J, K, M<br>, V, Z,<br>AE, AJ<br>, AN, A<br>Q, AW<br>AY, BB<br>, BF, B<br>K, BP,<br>BT, BX<br>, CB<br>CU           | 1            |

71-11-56

ILLUSTRATED PARTS LIST  
01.1 Page 1080Q  
Nov 01/04

| FIG. & ITEM | PART NO.    | AIRLINE PART NUMBER | NOMENCLATURE   | EFF CODE  | QTY PER ASSY |
|-------------|-------------|---------------------|----------------|---|--------------|
|             |             |                     | 1234567        |   |              |
| 09-         |             |                     |                |   |              |
| -395A       | 315U4305-45 |                     | . SUPPORT      | DT  | 1            |
| -400        | 315U4305-44 |                     | . SUPPORT ASSY | Q,R,T<br>,U,X,<br>AD,AG<br>,AL,A<br>S,AU<br>AX,AZ<br>,BD,B<br>H,BM,<br>BR,BV<br>,BZ<br>CJ,DB<br>DV  | 1            |
| -400A       | 315U4305-46 |                     | . SUPPORT      |   | 1            |
| 405         | BACR15FT6D  |                     | DELETED        |   |              |
| 410         | 315U4308-1  |                     | . FAIRING      | J,K,M<br>,V,Z,<br>AE,AJ<br>,AN,A<br>Q,AW<br>AY,BB<br>,BF,B<br>K,BP,<br>BT,BX<br>,CB<br>CU,DT        | 1            |
| -415        | 315U4308-2  |                     | . FAIRING      | Q,R,T<br>,U,X,<br>AD,AG<br>,AL,A<br>S,AU<br>AX,AZ<br>,BD,B<br>H,BM,<br>BR,BV<br>,BZ<br>CJ,DB<br>,DV | 1            |

# 71-11-56

 ILLUSTRATED PARTS LIST  
 01.1 Page 1080R  
 Nov 01/04

**BOEING**  
COMPONENT  
MAINTENANCE MANUAL

| FIG. & ITEM | PART NO.    | AIRLINE PART NUMBER | NOMENCLATURE                                   | EFF CODE   | QTY PER ASSY |
|-------------|-------------|---------------------|--|--|--------------|
| 09-420      | BACR15CE5D  |                     | 1234567<br>.RIVET-<br>(SIZE DETERMINE ON INST) | J,K,M<br>,Q,R,<br>T-V,X<br>,Z,AD<br>,AE<br>AG,AJ<br>,AL,A<br>N,AQ,<br>AS,AU<br>AW-AZ<br>,BB,B<br>D,BF,<br>BH,BK<br>,BM<br>BP,BR<br>,BT,B<br>V,BX,<br>BZ,CB<br>,CJ<br>CU,DB<br>,DT,D<br>V | 2            |
| 425         | 315U4305-53 |                     | .FILLER ASSY                                   | J,K,M<br>,V,Z,<br>AE,AJ<br>,AN,A<br>Q,AW<br>AY,BB<br>,BF,B<br>K,BP,<br>BT,BX<br>,CB<br>CU  | 1            |
| -430        | 315U4305-54 |                     | .FILLER ASSY                                   | Q,R,T<br>,U,X,<br>AD,AG<br>,AL,A<br>S,AU<br>AX,AZ<br>,BD,B<br>H,BM,<br>BR,BV<br>,BZ<br>CJ,DB   | 1            |

71-11-56

ILLUSTRATED PARTS LIST  
01.1 Page 1080S  
Nov 01/04

| FIG. & ITEM        | PART NO.                   | AIRLINE PART NUMBER | NOMENCLATURE<br>1234567 | EFF CODE  | QTY PER ASSY |
|--------------------|----------------------------|---------------------|-------------------------|---|--------------|
| 09-<br>435<br>435A | 315U4305-57<br>315U4305-51 |                     | DELETED<br>.. FILLER    | J, K, M<br>, Q, R,<br>T-V, X<br>, Z, AD<br>, AE<br>AG, AJ<br>, AL, A<br>N, AQ,<br>AS, AU<br>AW-AZ<br>, BB, B<br>D, BF,<br>BH, BK<br>, BM<br>BP, BR<br>, BT, B<br>V, BX,<br>BZ, CB<br>, CJ<br>CU, DB | 1            |
| 440                | 315U4305-55                |                     | .. ANGLE                | J, K, M<br>, V, Z,<br>AE, AJ<br>, AN, A<br>Q, AW<br>AY, BB<br>, BF, B<br>K, BP,<br>BT, BX<br>, CB<br>CU   | 1            |
| -445               | 315U4305-56                |                     | .. ANGLE                | Q, R, T<br>, U, X,<br>AD, AG<br>, AL, A<br>S, AU<br>AX, AZ<br>, BD, B<br>H, BM,<br>BR, BV<br>, BZ<br>CJ, DB   | 1            |

# 71-11-56

 ILLUSTRATED PARTS LIST  
 01.1 Page 1080T  
 Nov 01/04

**BOEING**  
COMPONENT  
MAINTENANCE MANUAL

| FIG. & ITEM | PART NO.    | AIRLINE PART NUMBER | NOMENCLATURE                         | EFF CODE  | QTY PER ASSY |
|-------------|-------------|---------------------|--------------------------------------|---|--------------|
| 09-450      | 315U4305-51 |                     | . FILLER                             | J, K, M<br>, Q, R,<br>T-V, X<br>, Z, AD<br>, AE<br>AG, AJ<br>, AL, A<br>N, AQ,<br>AS, AU<br>AW-AZ<br>, BB, B<br>D, BF,<br>BH, BK<br>, BM<br>BP, BR<br>, BT, B<br>V, BX,<br>BZ, CB<br>, CJ<br>CU, DB | 1            |
| 451         | 315U4305-51 |                     | . FILLER                             | DT, DV  | 2            |
| 452         | 315U4305-55 |                     | . ANGLE                              | DT  | 1            |
| -453        | 315U4305-56 |                     | . ANGLE                              | DV  | 1            |
| 455         | BACR15CE5D  |                     | . RIVET-<br>(SIZE DETERMINE ON INST) | J, K, M<br>, Q, R,<br>T-V, X<br>, Z, AD<br>, AE<br>AG, AJ<br>, AL, A<br>N, AQ,<br>AS, AU<br>AW-AZ<br>, BB, B<br>D, BF,<br>BH, BK<br>, BM<br>BP, BR<br>, BT, B<br>V, BX,<br>BZ, CB<br>, CJ<br>CU, DB | 6            |

**71-11-56**

ILLUSTRATED PARTS LIST  
01.1 Page 1080U  
Nov 01/04

| FIG. & ITEM  | PART NO.   | AIRLINE PART NUMBER | NOMENCLATURE<br>1234567   | EFF CODE  | QTY PER ASSY |
|--------------|------------|---------------------|---|---|--------------|
| 09-<br>-455A | BACR15CE5D |                     | .RIVET-<br>(SIZE DETERMINE ON INST)<br>(USED ON ITEMS 1C, 1D,<br>1E, 1F, 1G, 5C, 5D, 5E,<br>5F, 5G) | DT,DV   | 6            |
| 460          | BACR15FT5D |                     | .RIVET-<br>(SIZE DETERMINE ON INST)   | J,K,M<br>,Q,R,<br>T-V,X<br>,Z,AD<br>,AE<br>AG,AJ<br>,AL,A<br>N,AQ,<br>AS,AU<br>AW-AZ<br>,BB,B<br>D,BF,<br>BH,BK<br>,BM<br>BP,BR<br>,BT,B<br>V,BX,<br>BZ,CB<br>,CJ<br>CU,DB<br>DT,DV | 6            |
| -460A        | BACR15FT5D |                     | .RIVET-<br>(SIZE DETERMINE ON INST)<br>(USED ON ITEMS 1C, 1D,<br>1E, 1F, 1G, 5C, 5D, 5E,<br>5F, 5G) | DT,DV   | 6            |

# 71-11-56

 ILLUSTRATED PARTS LIST  
 01.1 Page 1080V  
 Nov 01/04



 **BOEING**  
COMPONENT  
MAINTENANCE MANUAL

| FIG. & ITEM | PART NO.    | AIRLINE PART NUMBER | NOMENCLATURE<br>1234567   | EFF CODE  | QTY PER ASSY |
|-------------|-------------|---------------------|---|---|--------------|
| 09-465      | 315U4305-52 |                     | .ANGLE-SPRT   | J,K,M<br>,Q,R,<br>T-V,X<br>,Z,AD<br>,AE<br>AG,AJ<br>,AL,A<br>N,AQ,<br>AS,AU<br>AW-AZ<br>,BB,B<br>D,BF,<br>BH,BK<br>,BM<br>BP,BR<br>,BT,B<br>V,BX,<br>BZ,CB<br>,CJ<br>CU,DB<br>DT,DV | 1            |
| -465A       | 315U4305-52 |                     | .ANGLE-SPRT<br>(USED ON ITEMS 1C, 1D,<br>1E, 1F, 1G, 5C, 5D, 5E,<br>5F, 5G) |   | 1            |
| 470         | 315U4305-61 |                     | .ANGLE ASSY   | J,K,M<br>,V,Z,<br>AE,AJ<br>,AN,A<br>Q,AW<br>AY,BB<br>,BF,B<br>K,BP,<br>BT,BX<br>,CB<br>CU   | 1            |

71-11-56

ILLUSTRATED PARTS LIST  
01.1 Page 1080W  
Nov 01/04

| FIG. & ITEM  | PART NO.    | AIRLINE PART NUMBER | NOMENCLATURE<br>1234567                          | EFF CODE   | QTY PER ASSY |
|--------------|-------------|---------------------|--|--|--------------|
| 09-<br>-470A | 315U4305-63 |                     | .ANGLE-<br>(USED ON ITEMS 1C, 1D,<br>1E, 1F, 1G) | DT   | 1            |
| -475         | 315U4305-62 |                     | .ANGLE ASSY                                      | Q,R,T<br>,U,X,<br>AD,AG<br>,AL,A<br>S,AU<br>AX,AZ<br>,BD,B<br>H,BM,<br>BR,BV<br>,BZ<br>CJ,DB | 1            |
| -475A        | 315U4305-64 |                     | .ANGLE-<br>(USED ON ITEMS 5C, 5D,<br>5E, 5F, 5G) | DV   | 1            |
| 480          | 315U4305-59 |                     | .ANGLE-SPRT                                      | J,K,M<br>,V,Z,<br>AE,AJ<br>,AN,A<br>Q,AW<br>AY,BB<br>,BF,B<br>K,BP,<br>BT,BX<br>,CB<br>CU    | 1            |
| -480A        | 315U4305-59 |                     | .ANGLE-<br>(USED ON ITEMS 1C, 1D,<br>1E, 1F, 1G) | DT   | 1            |
| -485         | 315U4305-60 |                     | .ANGLE-SPRT                                      | Q,R,T<br>,U,X,<br>AD,AG<br>,AL,A<br>S,AU<br>AX,AZ<br>,BD,B<br>H,BM,<br>BR,BV<br>,BZ<br>CJ,DB | 1            |

# 71-11-56

 ILLUSTRATED PARTS LIST  
 01.1 Page 1080X  
 Nov 01/04

 **BOEING**  
COMPONENT  
MAINTENANCE MANUAL

| FIG. & ITEM  | PART NO.    | AIRLINE PART NUMBER | NOMENCLATURE<br>1234567                          | EFF CODE   | QTY PER ASSY |
|--------------|-------------|---------------------|--|--|--------------|
| 09-<br>-485A | 315U4305-60 |                     | .ANGLE-<br>(USED ON ITEMS 5C, 5D,<br>5E, 5F, 5G) | DV   | 1            |
| 490          | 315U4305-65 |                     | .ANGLE ASSY                                      | J,K,M<br>,V,Z,<br>AE,AJ<br>,AN,A<br>Q,AW<br>AY,BB<br>,BF,B<br>K,BP,<br>BT,BX<br>,CB<br>CU<br>DT    | 1            |
| -490A        | 315U4305-67 |                     | .ANGLE-<br>(USED ON ITEMS 1C, 1D,<br>1E, 1F, 1G) | DT   | 1            |
| -495         | 315U4305-66 |                     | .ANGLE ASSY                                      | Q,R,T<br>,U,X,<br>AD,AG<br>,AL,A<br>S,AU<br>AX,AZ<br>,BD,B<br>H,BM,<br>BR,BV<br>,BZ<br>CJ,DB<br>DV | 1            |
| -495A        | 315U4305-68 |                     | .ANGLE-<br>(USED ON ITEMS 5C, 5D,<br>5E, 5F, 5G) | DV   | 1            |
| 500          | 315U4305-69 |                     | .CLIP  | J,K,M<br>,V,Z,<br>AE,AJ<br>,AN,A<br>Q,AW<br>AY,BB<br>,BF,B<br>K,BP,<br>BT,BX<br>,CB<br>CU<br>DT    | 1            |
| -500A        | 315U4305-69 |                     | .CLIP-<br>(USED ON ITEMS 1C, 1D,<br>1E, 1F, 1G)  | DT   | 1            |

**71-11-56**

ILLUSTRATED PARTS LIST  
01.1 Page 1080Y  
Nov 01/04

| FIG. & ITEM | PART NO.        | AIRLINE PART NUMBER | NOMENCLATURE<br>1234567  | EFF CODE  | QTY PER ASSY |
|-------------|-----------------|---------------------|--|---|--------------|
| 09-<br>-505 | 315U4305-70     |                     | .CLIP  | Q,R,T<br>,U,X,<br>AD,AG<br>,AL,A<br>S,AU<br>AX,AZ<br>,BD,B<br>H,BM,<br>BR,BV<br>,BZ<br>CJ,DB<br>DV  | 1            |
| -505A       | 315U4305-70     |                     | .CLIP-<br>(USED ON ITEMS 5C, 5D,<br>5E, 5F, 5G)                        |   | 1            |
| 510         | BACS40R007C017F |                     | .SHIM  | J,K,M<br>,Q,R,<br>T-V,X<br>,Z,AD<br>,AE<br>AG,AJ<br>,AL,A<br>N,AQ,<br>AS,AU<br>AW-AZ<br>,BB,B<br>D,BF,<br>BH,BK<br>,BM<br>BP,BR<br>,BT,B<br>V,BX,<br>BZ,CB<br>,CJ<br>CU,DB<br>DT,DV | 1            |
| -510A       | BACS40R007C017F |                     | .SHIM-<br>(USED ON ITEMS 1C, 1D,<br>1E, 1F, 1G, 5C, 5D, 5E,<br>5F, 5G) |   | 1            |

# 71-11-56

 ILLUSTRATED PARTS LIST  
 01.1 Page 1080Z  
 Nov 01/04

 **BOEING**  
COMPONENT  
MAINTENANCE MANUAL

| FIG. & ITEM | PART NO.    | AIRLINE PART NUMBER | NOMENCLATURE<br>1234567   | EFF CODE   | QTY PER ASSY |
|-------------|-------------|---------------------|---|--|--------------|
| 09-515      | HL11VAZ5-11 |                     | .BOLT-<br>(V60516)<br>(SPEC BACB30NW5K11)<br>(OPT HL11VAZ5-11 (V73197))<br>(OPT HL11VAZ5-11 (V92215))<br>(OPT L803-5K11 (V06725))<br>(OPT HL11VAZ5K11 (V97928))<br>(OPT B30NW5K11 (V97928))<br>(OPT HL11VAZ5-11 (V0PTK6))<br>(OPT HL11VAZ5-11 (V56878)) | J,K,M<br>,Q,R,<br>T-V,X<br>,Z,AD<br>,AE<br>AG,AJ<br>,AL,A<br>N,AQ,<br>AS,AU<br>AW-AZ<br>,BB,B<br>D,BF,<br>BH,BK<br>,BM<br>BP,BR<br>,BT,B<br>V,BX,<br>BZ,CB<br>,CJ<br>CU,DB<br>,DT,D<br>V | 2            |
| 520         | HL70-5      |                     | .COLLAR-<br>(V5M902)<br>(SPEC BACC30M5)<br>(OPT HL70-5 (V73197))<br>(OPT HL70-5 (V92215))<br>(OPT 66014-5 (V56878))<br>(OPT HL70-5 (V56878))  | J,K,M<br>,Q,R,<br>T-V,X<br>,Z,AD<br>,AE<br>AG,AJ<br>,AL,A<br>N,AQ,<br>AS,AU<br>AW-AZ<br>,BB,B<br>D,BF,<br>BH,BK<br>,BM<br>BP,BR<br>,BT,B<br>V,BX,<br>BZ,CB<br>,CJ<br>CU,DB<br>,DT,D<br>V | 2            |
| 522         | BACR15FT5D  |                     | DELETED   |  |              |

71-11-56

| FIG. & ITEM | PART NO.    | AIRLINE PART NUMBER | NOMENCLATURE<br>1234567                          | EFF CODE   | QTY PER ASSY |
|-------------|-------------|---------------------|--|--|--------------|
| 09-522A     | BACR15CE5D  |                     | .RIVET-<br>(SIZE DETERMINE ON INST)              | J,K,M<br>,Q,R,<br>T-V,X<br>,Z,AD<br>,AE<br>AG,AJ<br>,AL,A<br>N,AQ,<br>AS,AU<br>AW-AZ<br>,BB,B<br>D,BF,<br>BH,BK<br>,BM<br>BP,BR<br>,BT,B<br>V,BX,<br>BZ,CB<br>,CJ<br>CU,DB<br>,DT,D<br>V | 1            |
| 525         | 315U4305-75 |                     | .ANGLE-SPRT                                      | J,K,M<br>,V,Z,<br>AE,AJ<br>,AN,A<br>Q,AW<br>AY,BB<br>,BF,B<br>K,BP,<br>BT,BX<br>,CB<br>CU<br>DT  | 1            |
| -525A       | 315U4305-75 |                     | .ANGLE-<br>(USED ON ITEMS 1C, 1D,<br>1E, 1F, 1G) |  | 1            |

# 71-11-56

 ILLUSTRATED PARTS LIST  
 01.1 Page 1082  
 Nov 01/04

**BOEING**  
COMPONENT  
MAINTENANCE MANUAL

| FIG. & ITEM | PART NO.     | AIRLINE PART NUMBER | NOMENCLATURE<br>1234567                          | EFF CODE   | QTY PER ASSY |
|-------------|--------------|---------------------|--|--|--------------|
| 09-<br>-530 | 315U4305-76  |                     | .ANGLE-SPRT                                      | Q,R,T<br>,U,X,<br>AD,AG<br>,AL,A<br>S,AU<br>AX,AZ<br>,BD,B<br>H,BM,<br>BR,BV<br>,BZ<br>CJ,DB<br>DV | 1            |
| -530A       | 315U4305-76  |                     | .ANGLE-<br>(USED ON ITEMS 5C, 5D,<br>5E, 5F, 5G) |  | 1            |
| 535         | 315U4305-77  |                     | .SHIM  | J,K,M<br>,V,Z,<br>AE,AJ<br>,AN,A<br>Q,AW<br>AY,BB<br>,BF,B<br>K,BP<br>BT,BX                        | 1            |
| -535A       | 315U4305-77  |                     | .SHIM-<br>(LIMITED)                              |  | 1            |
| -535B       | 315U4305-99  |                     | .SHIM-<br>(LIMITED)                              | BT,BX  | 1            |
| -535C       | 315U4305-99  |                     | .SHIM  | CB,CU<br>,DT   | 1            |
| -540        | 315U4305-78  |                     | .SHIM  | Q,R,T<br>,U,X,<br>AD,AG<br>,AL,A<br>S,AU<br>AX,AZ<br>,BD,B<br>H,BM,<br>BR<br>BV,BZ                 | 1            |
| -540A       | 315U4305-78  |                     | .SHIM-<br>(LIMITED)                              |  | 1            |
| -540B       | 315U4305-100 |                     | .SHIM-<br>(LIMITED)                              | BV,BZ  | 1            |
| -540C       | 315U4305-100 |                     | .SHIM  | CJ,DB<br>,DV   | 1            |

71-11-56

ILLUSTRATED PARTS LIST  
01.1 Page 1082A  
Nov 01/04

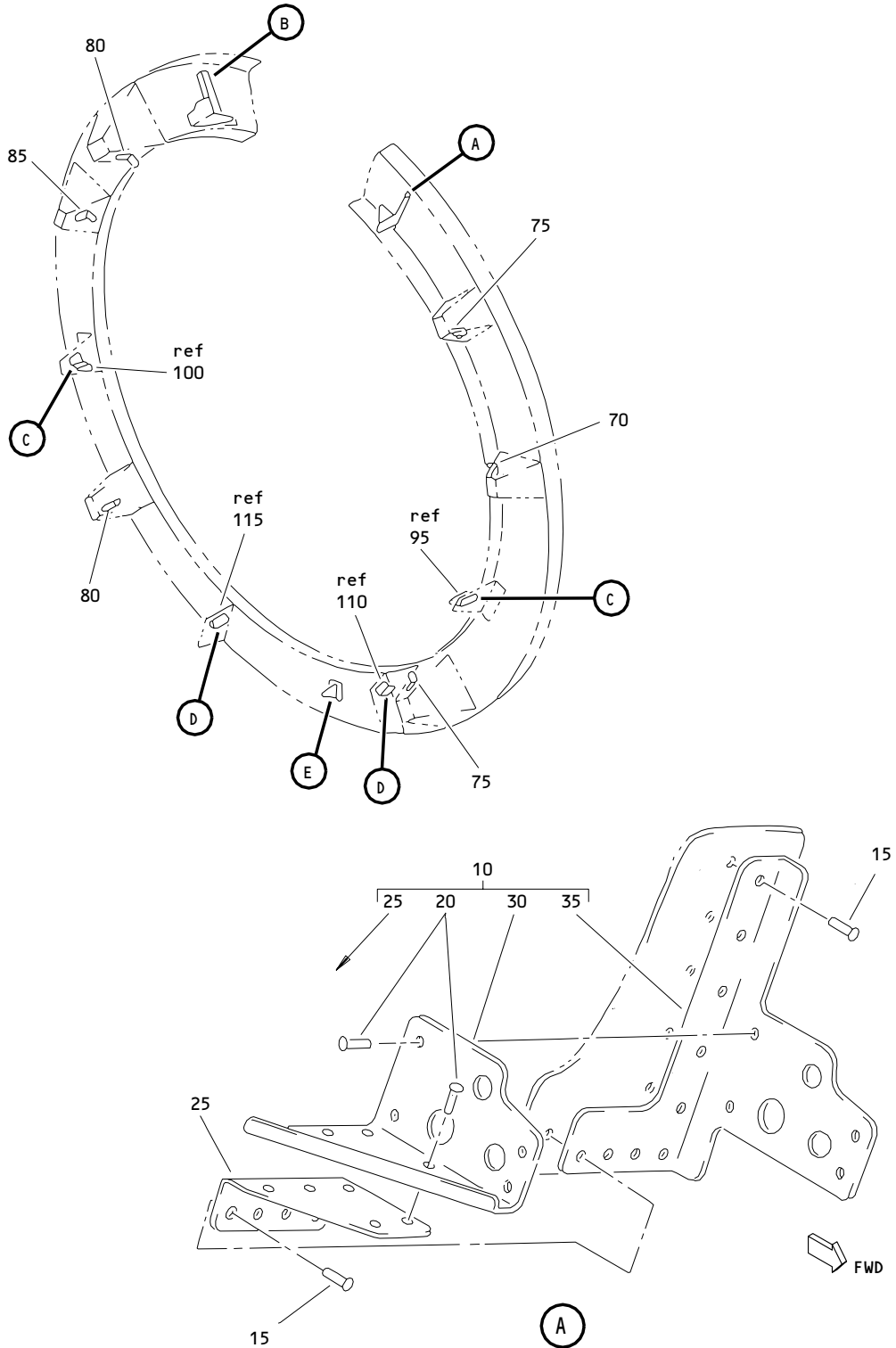
| FIG. & ITEM | PART NO.   | AIRLINE PART NUMBER | NOMENCLATURE  | EFF CODE | QTY PER ASSY |
|-------------|------------|---------------------|---|----------|--------------|
|             |            |                     | 1234567   |          |              |
| 09-545      | 315U4306-1 |                     | .FITTING-<br>(USED ON ITEMS 1H, 1J, 1K, 1L)                 | DT       | 1            |
| -545A       | 315U4306-3 |                     | .FITTING-<br>(USED ON ITEMS 1M, 1N, 1P, 1Q, 1R, 1S, 1T, 1U) | DT       | 1            |
| -550        | 315U4306-2 |                     | .FITTING-<br>(USED ON ITEMS 5H, 5J, 5K, 5L)                 | DV       | 1            |
| -550A       | 315U4306-4 |                     | .FITTING-<br>(USED ON ITEMS 5M, 5N, 5P, 5Q, 5R, 5S, 5T, 5U) | DV       | 1            |

- Item Not Illustrated

# 71-11-56

 ILLUSTRATED PARTS LIST  
 01.1 Page 1082B  
 Nov 01/04

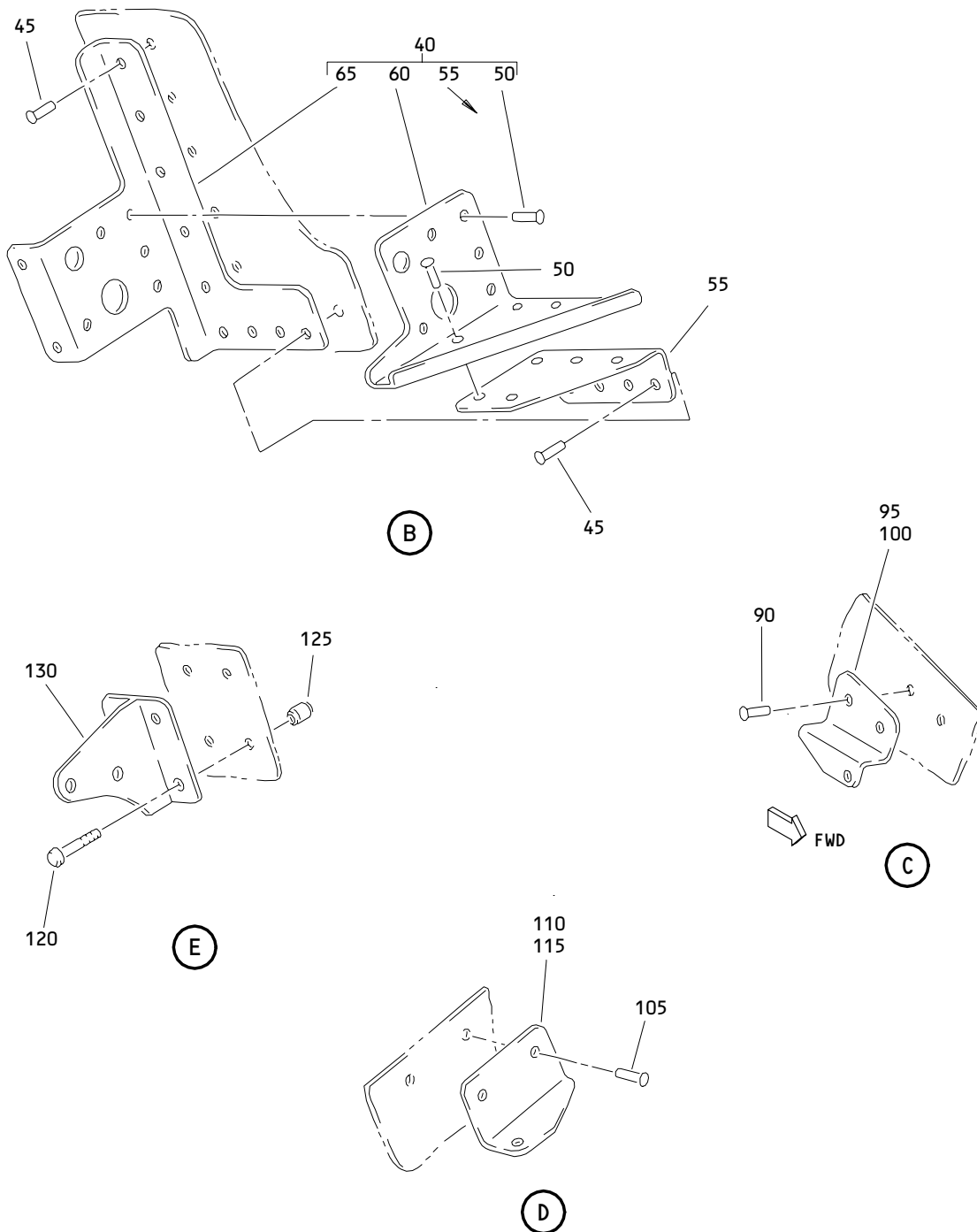




Actuator Opening Bracket Installation  
Figure 10 (Sheet 1)

**71-11-56**

ILLUSTRATED PARTS LIST  
01.1 Page 1082C  
Nov 01/04



Actuator Opening Bracket Installation  
 Figure 10 (Sheet 2)

**71-11-56**

ILLUSTRATED PARTS LIST  
 01.1 Page 1082D  
 Nov 01/04

 **BOEING**  
COMPONENT  
MAINTENANCE MANUAL

| FIG. & ITEM | PART NO.    | AIRLINE PART NUMBER | NOMENCLATURE<br>1234567     | EFF CODE  | QTY PER ASSY |
|-------------|-------------|---------------------|-----------------------------|---|--------------|
| 10-<br>-1   | 315T3154-24 |                     | BRACKET INSTL-ACTR OPENING  | A-D,<br>J-N,V<br>,Y,Z,<br>AE,AF<br>,AJ,A<br>K<br>AN-AR<br>,AW,A<br>Y,BA,<br>BB,BE<br>,BF                        | RF           |
| -1A         | 315T3154-45 |                     | BRACKET INSTL-ACTR OPENING  | BS,BT<br>,BW,B<br>X   | RF           |
| -5          | 315T3154-36 |                     | BRACKET INSTL-ACTR OPENING  | E,F,H<br>,Q,R,<br>T,U,W<br>,X,AA<br>,AC<br>AD,AG<br>,AH,A<br>L,AM,<br>AS-AV<br>,AX<br>AZ,BC<br>,BD,B<br>G,BH    | RF           |
| -5A         | 315T3154-46 |                     | BRACKET INSTL-ACTR OPENING  | BU,BV<br>,BY,B<br>Z   | RF           |
| 10          | 315T3154-23 |                     | .BRACKET ASSY-<br>(LIMITED) | A-D,<br>J-N,V<br>,Y,Z,<br>AE,AF<br>,AJ,A<br>K<br>AN-AR<br>,AW,A<br>Y,BA,<br>BB,BE<br>,BF<br>BS,BT<br>,BW,B<br>X | 1            |

**71-11-56**

ILLUSTRATED PARTS LIST  
01.1 Page 1082E  
Nov 01/04

| FIG. & ITEM | PART NO.    | AIRLINE PART NUMBER | NOMENCLATURE  | EFF CODE  | QTY PER ASSY |
|-------------|-------------|---------------------|---|---|--------------|
| 10-10A      | 315T3154-54 |                     | .BRACKET ASSY-<br>(LIMITED)                         | A-D,<br>J-N,V<br>,Y,Z,<br>AE,AF<br>,AJ,A<br>K<br>AN-AR<br>,AW,A<br>Y,BA,<br>BB,BE<br>,BF<br>BS,BT<br>,BW,B<br>X | 1            |
| 15          | BACR15FT6KE |                     | .RIVET-<br>(SIZE DETERMINE ON INST)                 | A-D,<br>J-N,V<br>,Y,Z,<br>AE,AF<br>,AJ,A<br>K<br>AN-AR<br>,AW,A<br>Y,BA,<br>BB,BE<br>,BF<br>BS,BT<br>,BW,B<br>X | 9            |
| 20          | BACR15BB5AD |                     | -----*-----<br>..RIVET-<br>(SIZE DETERMINE ON INST) | A-D,<br>J-N,V<br>,Y,Z,<br>AE,AF<br>,AJ,A<br>K<br>AN-AR<br>,AW,A<br>Y,BA,<br>BB,BE<br>,BF<br>BS,BT<br>,BW,B<br>X | 9            |

# 71-11-56

 ILLUSTRATED PARTS LIST  
 01.1 Page 1082F  
 Nov 01/04

**BOEING**  
COMPONENT  
MAINTENANCE MANUAL

| FIG. & ITEM | PART NO.    | AIRLINE PART NUMBER | NOMENCLATURE<br>1234567             | EFF CODE  | QTY PER ASSY |
|-------------|-------------|---------------------|-------------------------------------|---|--------------|
| 10-25       | 315T3633-67 |                     | ..BRACKET-<br>(PRE SB 767-78-0062)  | A-D,<br>J-N,V<br>,Y,Z,<br>AE,AF<br>,AJ,A<br>K<br>AN-AR<br>,AW,A<br>Y,BA,<br>BB,BE<br>,BF<br>BS,BT<br>,BW,B<br>X | 1            |
| -25A        | 315T4726-13 |                     | ..BRACKET-<br>(POST SB 767-78-0062) | A-D,<br>J-N,V<br>,Y,Z,<br>AE,AF<br>,AJ,A<br>K<br>AN-AR<br>,AW,A<br>Y,BA,<br>BB,BE<br>,BF<br>BS,BT<br>,BW,B<br>X | 1            |
| 30          | 315T3154-8  |                     | ..BRACKET                           | A-D,<br>J-N,V<br>,Y,Z,<br>AE,AF<br>,AJ,A<br>K<br>AN-AR<br>,AW,A<br>Y,BA,<br>BB,BE<br>,BF<br>BS,BT<br>,BW,B<br>X | 1            |

**71-11-56**

ILLUSTRATED PARTS LIST  
01.1 Page 1082G  
Nov 01/04

| FIG. & ITEM | PART NO.    | AIRLINE PART NUMBER | NOMENCLATURE<br>1234567          | EFF CODE  | QTY PER ASSY |
|-------------|-------------|---------------------|----------------------------------|---|--------------|
| 10-35       | 315T3154-7  |                     | ..BRACKET-<br>(USED ON ITEM 10)  | A-D,<br>J-N,V<br>,Y,Z,<br>AE,AF<br>,AJ,A<br>K<br>AN-AR<br>,AW,A<br>Y,BA,<br>BB,BE<br>,BF<br>BS,BT<br>,BW,B<br>X                     | 1            |
| -35A        | 315T3154-56 |                     | ..BRACKET-<br>(USED ON ITEM 10A) | A-D,<br>J-N,V<br>,Y,Z,<br>AE,AF<br>,AJ,A<br>K<br>AN-AR<br>,AW,A<br>Y,BA,<br>BB,BE<br>,BF<br>BS,BT<br>,BW,B<br>X                     | 1            |
| 40          | 315T3154-6  |                     | .BRACKET ASSY-<br>(LIMITED)      | E,F,H<br>,Q,R,<br>T,U,W<br>,X,AA<br>,AC<br>AD,AG<br>,AH,A<br>L,AM,<br>AS-AV<br>,AX<br>AZ,BC<br>,BD,B<br>G,BH,<br>BU,BV<br>,BY<br>BZ | 1            |

# 71-11-56

 ILLUSTRATED PARTS LIST  
 01.1 Page 1082H  
 Nov 01/04

**BOEING**  
COMPONENT  
MAINTENANCE MANUAL

| FIG. & ITEM | PART NO.    | AIRLINE PART NUMBER | NOMENCLATURE   | EFF CODE  | QTY PER ASSY |
|-------------|-------------|---------------------|--|---|--------------|
| 10-40A      | 315T3154-55 |                     | 1234567<br>.BRACKET ASSY-<br>(LIMITED)                 | E,F,H<br>,Q,R,<br>T,U,W<br>,X,AA<br>,AC<br>AD,AG<br>,AH,A<br>L,AM,<br>AS-AV<br>,AX<br>AZ,BC<br>,BD,B<br>G,BH,<br>BU,BV<br>,BY<br>BZ | 1            |
| 45          | BACR15FT6KE |                     | ATTACHING PARTS<br>.RIVET-<br>(SIZE DETERMINE ON INST) | E,F,H<br>,Q,R,<br>T,U,W<br>,X,AA<br>,AC<br>AD,AG<br>,AH,A<br>L,AM,<br>AS-AV<br>,AX<br>AZ,BC<br>,BD,B<br>G,BH,<br>BU,BV<br>,BY<br>BZ | 9            |
|             |             |                     | -----*   |   |              |

| FIG. & ITEM | PART NO.    | AIRLINE PART NUMBER | NOMENCLATURE                         | EFF CODE  | QTY PER ASSY |
|-------------|-------------|---------------------|--------------------------------------|---|--------------|
| 10-50       | BACR15BB5AD |                     | ..RIVET-<br>(SIZE DETERMINE ON INST) | E,F,H<br>,Q,R,<br>T,U,W<br>,X,AA<br>,AC<br>AD,AG<br>,AH,A<br>L,AM,<br>AS-AV<br>,AX<br>AZ,BC<br>,BD,B<br>G,BH,<br>BU,BV<br>,BY<br>BZ | 10           |
| 55          | 315T3633-68 |                     | ..BRACKET                            | E,F,H<br>,Q,R,<br>T,U,W<br>,X,AA<br>,AC<br>AD,AG<br>,AH,A<br>L,AM,<br>AS-AV<br>,AX<br>AZ,BC<br>,BD,B<br>G,BH,<br>BU,BV<br>,BY<br>BZ | 1            |

# 71-11-56

 ILLUSTRATED PARTS LIST  
 01.1 Page 1082J  
 Nov 01/04



**BOEING**  
COMPONENT  
MAINTENANCE MANUAL

| FIG. & ITEM | PART NO.    | AIRLINE PART NUMBER | NOMENCLATURE<br>1234567         | EFF CODE   | QTY PER ASSY |
|-------------|-------------|---------------------|---------------------------------|--|--------------|
| 10-60       | 315T3154-10 |                     | ..BRACKET                       | E, F, H<br>, Q, R<br>, T, U, W<br>, X, AA<br>, AC<br>AD, AG<br>, AH, A<br>L, AM<br>AS-AV<br>, AX<br>AZ, BC<br>, BD, B<br>G, BH<br>BU, BV<br>, BY<br>BZ | 1            |
| 65          | 315T3154-9  |                     | ..BRACKET-<br>(USED ON ITEM 40) | E, F, H<br>, Q, R<br>, T, U, W<br>, X, AA<br>, AC<br>AD, AG<br>, AH, A<br>L, AM<br>AS-AV<br>, AX<br>AZ, BC<br>, BD, B<br>G, BH<br>BU, BV<br>, BY<br>BZ | 1            |

71-11-56

ILLUSTRATED PARTS LIST  
01.1 Page 1082K  
Nov 01/04

| FIG. & ITEM | PART NO.    | AIRLINE PART NUMBER | NOMENCLATURE<br>1234567          | EFF CODE  | QTY PER ASSY |
|-------------|-------------|---------------------|----------------------------------|---|--------------|
| 10-65A      | 315T3154-57 |                     | ..BRACKET-<br>(USED ON ITEM 40A) | E,F,H<br>,Q,R,<br>T,U,W<br>,X,AA<br>,AC<br>AD,AG<br>,AH,A<br>L,AM,<br>AS-AV<br>,AX<br>AZ,BC<br>,BD,B<br>G,BH,<br>BU,BV<br>,BY<br>BZ | 1            |
| 70          | 315T3154-16 |                     | .CLIP                            | A-D,<br>J-N,V<br>,Y,Z,<br>AE,AF<br>,AJ,A<br>K<br>AN-AR<br>,AW,A<br>Y,BA,<br>BB,BE<br>,BF  | 1            |
| 75          | 315T3154-15 |                     | .CLIP                            | A-D,<br>J-N,V<br>,Y,Z,<br>AE,AF<br>,AJ,A<br>K<br>AN-AR<br>,AW,A<br>Y,BA,<br>BB,BE<br>,BF  | 2            |

# 71-11-56

 ILLUSTRATED PARTS LIST  
 01.1 Page 1082L  
 Nov 01/04

| FIG. & ITEM | PART NO.    | AIRLINE PART NUMBER | NOMENCLATURE                        | EFF CODE   | QTY PER ASSY |
|-------------|-------------|---------------------|-------------------------------------|--|--------------|
| 10-80       | 315T3154-16 |                     | 1234567<br>.CLIP                    | E,F,H<br>,Q,R,<br>T,U,W<br>,X,AA<br>,AC<br>AD,AG<br>,AH,A<br>J,AK,<br>AS-AV<br>,AX<br>AZ,BC<br>,BD,B<br>G,BH | 2            |
| 85          | 315T3154-15 |                     | .CLIP                               | E,F,H<br>,Q,R,<br>T,U,W<br>,X,AA<br>,AC<br>AD,AG<br>,AH,A<br>L,AM,<br>AS-AV<br>,AX<br>AZ,BC<br>,BD,B<br>G,BH | 1            |
| 90          | BACR15BB6AD |                     | .RIVET-<br>(SIZE DETERMINE ON INST) | A-F,<br>H-N,Q<br>,R,<br>T-AA,<br>AC-BH   | 4            |

71-11-56

| FIG. & ITEM | PART NO.    | AIRLINE PART NUMBER | NOMENCLATURE<br>1234567                                       | EFF CODE   | QTY PER ASSY |
|-------------|-------------|---------------------|---|--|--------------|
| 10-95       | 315T3154-17 |                     | .BRACKET-<br>(LIMITED)  | A-D,<br>J-N,V<br>,Y,Z,<br>AE,AF<br>,AJ,A<br>K<br>AN-AR<br>,AW,A<br>Y,BA,<br>BB,BE<br>,BF                     | 1            |
| -95A        | 315T3154-39 |                     | .BRACKET-* 1!<br>(LIMITED)<br>(REWORKED BY<br>SB 767-78-0062) | A-D,<br>J-N,V<br>,Y,Z,<br>AE,AF<br>,AJ,A<br>K<br>AN-AR<br>,AW,A<br>Y,BA,<br>BB,BE<br>,BF                     | 1            |
| 100         | 315T3154-18 |                     | .BRACKET-<br>(LIMITED)  | E,F,H<br>,Q,R,<br>T,U,W<br>,X,AA<br>,AC<br>AD,AG<br>,AH,A<br>L,AM,<br>AS-AV<br>,AX<br>AZ,BC<br>,BD,B<br>G,BH | 1            |

# 71-11-56

 ILLUSTRATED PARTS LIST  
 01.1 Page 1082N  
 Nov 01/04

**BOEING**  
COMPONENT  
MAINTENANCE MANUAL

| FIG. & ITEM | PART NO.    | AIRLINE PART NUMBER | NOMENCLATURE   | EFF CODE   | QTY PER ASSY |
|-------------|-------------|---------------------|--|--|--------------|
| 10-100A     | 315T3154-40 |                     | 1234567<br>.BRACKET-*   1!<br>(LIMITED)<br>(REWORKED BY<br>SB 767-78-0062) | E, F, H<br>, Q, R,<br>T, U, W<br>, X, AA<br>, AC<br>AD, AG<br>, AH, A<br>L, AM,<br>AS-AV<br>, AX<br>AZ, BC<br>, BD, B<br>G, BH | 1            |
| 105         | BACR15BB6AD |                     | .RIVET-<br>(SIZE DETERMINE ON INST)  | A-F,<br>H-N, Q<br>, R,<br>T-AA,<br>AC-BH   | 4            |
| 110         | 315T3154-13 |                     | .CLIP-<br>(LIMITED)  | A-D,<br>J-N, V<br>, Y, Z,<br>AE, AF<br>, AJ, A<br>K<br>AN-AR<br>, AW, A<br>Y, BA,<br>BB, BE<br>, BF                            | 1            |

71-11-56

ILLUSTRATED PARTS LIST  
01.1 Page 10820  
Nov 01/04

| FIG. & ITEM  | PART NO.    | AIRLINE PART NUMBER | NOMENCLATURE<br>1234567 | EFF CODE   | QTY PER ASSY |
|--------------|-------------|---------------------|-------------------------|--|--------------|
| 10-<br>-110A | 315T3154-41 |                     | .CLIP-<br>(LIMITED)     | A-D,<br>J-N,V<br>,Y,Z,<br>AE,AF<br>,AJ,A<br>K<br>AN-AR<br>,AW,A<br>Y,BA,<br>BB,BE<br>,BF                     | 1            |
| 115          | 315T3154-14 |                     | .CLIP-<br>(LIMITED)     | E,F,H<br>,Q,R,<br>T,U,W<br>,X,AA<br>,AC<br>AD,AG<br>,AH,A<br>L,AM,<br>AS-AV<br>,AX<br>AZ,BC<br>,BD,B<br>G,BH | 1            |
| -115A        | 315T3154-42 |                     | .CLIP-<br>(LIMITED)     | E,F,H<br>,Q,R,<br>T,U,W<br>,X,AA<br>,AC<br>AD,AG<br>,AH,A<br>L,AM,<br>AS-AV<br>,AX<br>AZ,BC<br>,BD,B<br>G,BH | 1            |

# 71-11-56

 ILLUSTRATED PARTS LIST  
 01.1 Page 1082P  
 Nov 01/04

| FIG. & ITEM | PART NO.    | AIRLINE PART NUMBER | NOMENCLATURE<br>1234567  | EFF CODE  | QTY PER ASSY |
|-------------|-------------|---------------------|--|---|--------------|
| 10-120      | BACB30MY6K4 |                     | .BOLT  | A-F,<br>H-N,Q<br>,R,<br>T-AA,<br>AC-BH                        | 4            |
| 125         | HL79-6      |                     | .COLLAR-<br>(V5M902)<br>(SPEC BACC30M6)<br>(OPT HL79-6<br>(V73197))<br>(OPT HL79-6<br>(V92215))<br>(OPT 66014-6<br>(V56878))<br>(OPT HL79-6<br>(V56878)) | A-F,<br>H-N,Q<br>,R,<br>T-AA,<br>AC-BH                        | 4            |
| 130         | 315T3154-11 |                     | .BRACKET-<br>(REPLD BY ITEM 130A)  | A-F,<br>H-N,Q<br>,R,<br>T-AA,<br>AC-BH<br>BS,BT<br>,BW,B<br>X | 1            |
| -130A       | 315T3154-37 |                     | .BRACKET-<br>(REPLS ITEM 130)  | A-F,<br>H-N,Q<br>,R,<br>T-AA,<br>AC-BH<br>BU,BV<br>,BY,B<br>Z | 1            |

71-11-56

| FIG.<br>&<br>ITEM | PART NO. | AIRLINE<br>PART<br>NUMBER | NOMENCLATURE<br>1234567 | EFF<br>CODE | QTY<br>PER<br>ASSY |
|-------------------|----------|---------------------------|-------------------------|-------------|--------------------|
| 10-               |          |                           |                         |             |                    |

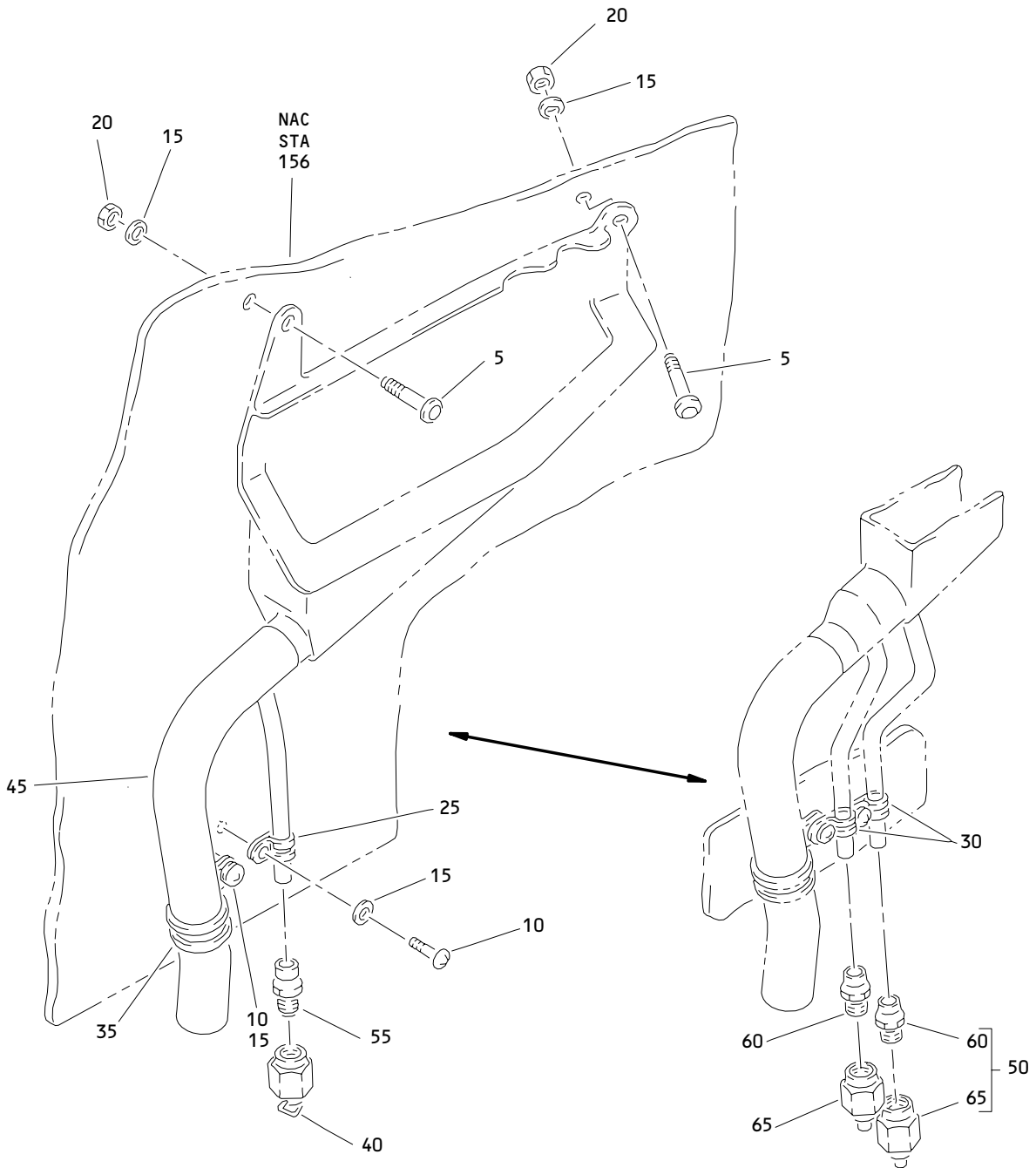
- Item Not Illustrated

\*[1] THERE IS NO EQUIVALENT PART NUMBER FOR THE PART CHANGED BY THE  
SERVICE BULLETIN.

**71-11-56**

ILLUSTRATED PARTS LIST  
01.1 Page 1082R  
Nov 01/04





Overboard Fan Duct Drain Installation  
 Figure 11

**71-11-56**

ILLUSTRATED PARTS LIST  
 01.1 Page 1082T  
 Nov 01/04

 **BOEING**  
COMPONENT  
MAINTENANCE MANUAL

| FIG. & ITEM | PART NO.    | AIRLINE PART NUMBER | NOMENCLATURE<br>1234567  | EFF CODE  | QTY PER ASSY |
|-------------|-------------|---------------------|--|---|--------------|
| 11-<br>-1   | 332T4713-1  |                     | DRAIN INSTL-OVERBOARD FAN DUCT   | E, F, H<br>, AA, A<br>H, AM,<br>AT, AV<br>, BU<br>BV, BZ  | RF           |
| -1A         | 332T4713-9  |                     | DRAIN INSTL-OVERBOARD FAN DUCT   | Q, R, T<br>, U, X,<br>AD, AG<br>, AL, A<br>S, AU<br>AX, AZ<br>, BC, B<br>D, BG,<br>BH, BL<br>, BM<br>BQ, BR | RF           |
| -1B         | 332T4713-1  |                     | DRAIN INSTL-OVERBOARD FAN DUCT<br>(LIMITED)  | W, AC   | RF           |
| -1C         | 332T4713-9  |                     | DRAIN INSTL-OVERBOARD FAN DUCT<br>(LIMITED)  | W, AC   | RF           |
| -1D         | 332T4713-10 |                     | DRAIN INSTL-OVERBOARD FAN DUCT<br>(NHA 315T4295, REF<br>COLLECTOR CMM 78-31-47)<br>(NHA 315U4295, REF<br>COLLECTOR CMM 78-31-48) | DU, DV  | RF           |
| -1E         | 332T4713-11 |                     | DRAIN INSTL-OVERBOARD FAN DUCT<br>(NHA 315T4295, REF<br>COLLECTOR CMM 78-31-47)  | DU  | RF           |
| -1F         | 332T4713-12 |                     | DRAIN INSTL-OVERBOARD FAN DUCT<br>(NHA 315U4295, REF<br>COLLECTOR CMM 78-31-48)  | DV  | RF           |
| -1G         | 332T4713-14 |                     | DRAIN INSTL-OVERBOARD FAN DUCT<br>(NHA 315U4295, REF<br>COLLECTOR CMM 78-31-48)  | DV  | RF           |
| -1H         | 332T4713-16 |                     | DRAIN INSTL-OVERBOARD FAN DUCT<br>(NHA 315U4295, REF<br>COLLECTOR CMM 78-31-48)  | DV  | RF           |

**71-11-56**

ILLUSTRATED PARTS LIST  
01.1 Page 1082U  
Nov 01/04

| FIG. & ITEM | PART NO.     | AIRLINE PART NUMBER | NOMENCLATURE<br>1234567   | EFF CODE   | QTY PER ASSY |
|-------------|--------------|---------------------|---|--|--------------|
| 11-<br>-1J  | 332T4713-18  |                     | DRAIN INSTL-OVERBOARD FAN DUCT<br>(NHA 315U4295, REF COLLECTOR CMM 78-31-48)  | DV   | RF           |
| -1K         | 332T4713-20  |                     | DRAIN INSTL-OVERBOARD FAN DUCT<br>(NHA 315U4295, REF COLLECTOR CMM 78-31-48)  | DV   | RF           |
| -1L         | 332T4713-22  |                     | DRAIN INSTL-OVERBOARD FAN DUCT<br>(NHA 315T4295, REF COLLECTOR CMM 78-31-47)  | DU   | RF           |
| -1M         | 332T4713-24  |                     | DRAIN INSTL-OVERBOARD FAN DUCT<br>(NHA 315T4295, REF COLLECTOR CMM 78-31-47)  | DU   | RF           |
| 5           | BACB30MY6K19 |                     | .BOLT   | E, F, H, Q, R, T, U, W, X, AA, AC, AD, AG, AH, A, L, AM, AS-AV, AX, AZ, BC, BD, B, G, BH, BL, BM, BQ, BR, BU, BV, B, Z | 2            |
| -5A         | HST10AG6-19  |                     | .BOLT-<br>(VOPTK6)<br>(SPEC BACB30VT6K19)<br>(OPT HST10AG6-19 (V06725))<br>(OPT HST10AG6-19 (V56878))<br>(OPT HST10AG6-19 (V73197)) | DU, DV   | 2            |

# 71-11-56

 ILLUSTRATED PARTS LIST  
 01.1 Page 1082V  
 Nov 01/04

| FIG. & ITEM | PART NO.      | AIRLINE PART NUMBER | NOMENCLATURE<br>1234567 | EFF CODE   | QTY PER ASSY |
|-------------|---------------|---------------------|-------------------------|--|--------------|
| 11-10       | BACB30LK3-2   |                     | .BOLT                   | E, F, H<br>, Q, R,<br>T, U, W<br>, X, AA<br>, AC<br>AD, AG<br>, AH, A<br>L, AM,<br>AS-AV<br>, AX<br>AZ, BC<br>, BD, B<br>G, BH,<br>BL, BM<br>, BQ<br>BR, BU<br>, BV, B<br>Z, DU,<br>DV | 2            |
| 15          | AN960C10      |                     | .WASHER                 | E, F, H<br>, Q, R,<br>T, U, W<br>, X, AA<br>, AC<br>AD, AG<br>, AH, A<br>L, AM,<br>AS-AV<br>, AX<br>AZ, BC<br>, BD, B<br>G, BH,<br>BL, BM<br>, BQ<br>BR, BU<br>, BV, B<br>Z            | 4            |
| -15A        | NAS1149C0363R |                     | .WASHER                 | DU, DV   | 2            |

71-11-56

| FIG. & ITEM | PART NO.  | AIRLINE PART NUMBER | NOMENCLATURE<br>1234567   | EFF CODE  | QTY PER ASSY |
|-------------|-----------|---------------------|---|---|--------------|
| 11-20       | BRH10C3M  |                     | .NUT-<br>(V52828)<br>(SPEC BACN10JC3CM)<br>(OPT T6C1032JM<br>(V11815))<br>(OPT 97E02<br>(V80539))<br>(OPT 109LH9075-3W<br>(V72962))<br>(OPT VN303D02<br>(V92215))<br>(OPT NS202101SE02<br>(V80539))<br>(OPT H01-3BAC<br>(V15653)) | E, F, H<br>, Q, R,<br>, T, U, W<br>, X, AA<br>, AC<br>, AD, AG<br>, AH, A<br>, L, AM,<br>, AS-AV<br>, AX<br>, AZ, BC<br>, BD, B<br>, G, BH,<br>, BL, BM<br>, BQ<br>, BR, BU<br>, BV, B<br>, Z<br>DU, DV | 2            |
| -20A        | H52732-3C |                     | .NUT-<br>(V15653)<br>(SPEC BACN10YR3C)<br>(OPT PLH53C<br>(V62554))  |   | 2            |
| 25          | BACC10EP6 |                     | .CLAMP-<br>(USED ON ITEMS 1, 1B)  | E, F, H<br>, W, AA<br>, AC, A<br>, H, AM,<br>, AT, AV<br>, BU, BV<br>, BZ<br>Q, R, T  | 1            |
| 30          | BACC10HS6 |                     | .CLAMP-<br>(LIMITED)<br>(USED ON ITEMS 1A, 1C)  | , U, W,<br>, X, AC,<br>, AD, AG<br>, AL<br>, AS, AU<br>, AX, A<br>, Z, BC,<br>, BD, BG<br>, BH<br>, BL, BM<br>, BQ, B<br>R  | 2            |

# 71-11-56

 ILLUSTRATED PARTS LIST  
 01.1 Page 1082X  
 Nov 01/04

 **BOEING**  
COMPONENT  
MAINTENANCE MANUAL

| FIG. & ITEM | PART NO.    | AIRLINE PART NUMBER | NOMENCLATURE<br>1234567  | EFF CODE  | QTY PER ASSY |
|-------------|-------------|---------------------|--|---|--------------|
| 11-<br>-30A | TA027016-06 |                     | .CLAMP-<br>(V84971)<br>(LIMITED)<br>(USED ON ITEMS 1A, 1C)   | Q,R,T<br>,U,W<br>,X,AC,<br>AD,AG<br>,AL<br>AS,AU<br>,AX,A<br>Z,BC,<br>BD,BG<br>,BH<br>BL,BM<br>,BQ,B<br>R | 2            |
| -30B        | TA027016-06 |                     | .CLAMP-<br>(V84971)  | DU,DV   | 2            |
| 35          | BACC10EP16  |                     | .CLAMP-<br>(USED ON ITEMS 1, 1B)   | E,F,H<br>,W,AA<br>,AC,A<br>H,AM,<br>AT,AV<br>BU,BV<br>,BZ   | 1            |
| -35A        | BACC10EP16  |                     | .CLAMP-<br>(V81205)<br>(SPEC BACC10HS16)<br>(OPT 490-16RPB<br>(V83930))<br>(OPT 025029-16<br>(V84971))<br>(OPT 44LC17H16PB<br>(V22175))<br>(LIMITED)<br>(USED ON ITEMS 1A, 1C) | Q,R,T<br>,U,W<br>,X,AC,<br>AD,AG<br>,AL<br>AS,AU<br>,AX,A<br>Z,BC,<br>BD,BG<br>,BH<br>BL,BM<br>,BQ,B<br>R | 1            |

**71-11-56**

ILLUSTRATED PARTS LIST  
01.1 Page 1082Y  
Nov 01/04

| FIG. & ITEM | PART NO.    | AIRLINE PART NUMBER | NOMENCLATURE<br>1234567  | EFF CODE   | QTY PER ASSY |
|-------------|-------------|---------------------|--|--|--------------|
| 11-<br>-35B | TA027016-16 |                     | .CLAMP-<br>(V84971)<br>(LIMITED)<br>(USED ON ITEMS 1A, 1C)   | Q,R,T<br>,U,W,<br>X,AC,<br>AD,AG<br>,AL<br>AS,AU<br>,AX,A<br>Z,BC,<br>BD,BG<br>,BH<br>BL,BM<br>,BQ,B<br>R<br>DU,DV | 1            |
| -35C        | TA027016-16 |                     | .CLAMP-<br>(V84971)  | DU,DV  | 1            |
| 40          | AP1008-06J  |                     | .CAP ASSY-<br>(V01673)<br>(SPEC BACC14AD06J)<br>(OPT DBOC14AD06J<br>(V14798))<br>(OPT FER22661-06J<br>(V14397))<br>(OPT 2-02813-06J<br>(V11328))<br>(OPT 4690009-06J<br>(V50948))<br>(OPT AFP241-06J<br>(V30974))<br>(OPT US2103-06J<br>(V50808))<br>(USED ON ITEMS 1, 1B) | E,F,H<br>,W,AA<br>,AC,A<br>H,AM,<br>AT,AV<br>BU,BV<br>,BZ  | 1            |

# 71-11-56

 ILLUSTRATED PARTS LIST  
 01.1 Page 1082Z  
 Nov 01/04

**BOEING**  
COMPONENT  
MAINTENANCE MANUAL

| FIG. & ITEM | PART NO.                 | AIRLINE PART NUMBER | NOMENCLATURE<br>1234567  | EFF CODE  | QTY PER ASSY |
|-------------|--------------------------|---------------------|--|---|--------------|
| 11-45       | 332T4713-2               |                     | .TUBE ASSY-<br>(USED ON ITEMS 1, 1B)   | E,F,H<br>,W,AA<br>,AC,A<br>H,AM,<br>AT,AV<br>BU,BV<br>,BZ   | 1            |
| 50          | 332T4713-8               |                     | .TUBE ASSY-<br>(USED ON ITEMS 1A, 1C)  | Q,R,T<br>,U,W,<br>X,AC,<br>AD,AG<br>,AL<br>AS,AU<br>,AX,A<br>Z,BC,<br>BD,BG<br>,BH<br>BL,BM<br>,BQ,B<br>R | 1            |
| -50A<br>55  | 332T4713-8<br>DBOU24AB6H |                     | .TUBE ASSY<br>..UNION-<br>(V14798)<br>(SPEC BACU24AB6H)<br>(OPT 2-01027-6H<br>(V11328))<br>(OPT 31875-6H<br>(V14397))<br>(OPT 4671097H6<br>(V50948))<br>(OPT 35056V06<br>(V08199))<br>(OPT AP1004H06<br>(V01673))<br>(OPT AFP941H6<br>(V30974))<br>(USED ON ITEM 45) | DU,DV<br>E,F,H<br>,W,AA<br>,AC,A<br>H,AM,<br>AT,AV<br>BU,BV<br>,BZ  | 1<br>1       |

**71-11-56**

ILLUSTRATED PARTS LIST  
01.1 Page 1083  
Nov 01/04



| FIG. & ITEM | PART NO.   | AIRLINE PART NUMBER | NOMENCLATURE  | EFF CODE  | QTY PER ASSY |
|-------------|------------|---------------------|---|---|--------------|
| 11-60       | DBOU24AB6H |                     | 1234567<br>..UNION-<br>(V14798)<br>(SPEC BACU24AB6H)<br>(OPT 2-01027-6H<br>(V11328))<br>(OPT 31875-6H<br>(V14397))<br>(OPT 4671097H6<br>(V50948))<br>(OPT 35056V06<br>(V08199))<br>(OPT AP1004H06<br>(V01673))<br>(OPT AFP941H6<br>(V30974))<br>(USED ON ITEMS 50, 50A) | Q,R,T<br>,U,W,<br>X,AC,<br>AD,AG<br>,AL<br>AS,AU<br>,AX,A<br>Z,BC,<br>BD,BG<br>,BH<br>BL,BM<br>,BQ,B<br>R,DU,<br>DV | 2            |
| 65          | 6D252      |                     | ..VALVE-<br>(V82829)<br>(OPT ITEM 65B)<br>(USED ON ITEMS 50, 50A)   | Q,R,T<br>,U,W,<br>X,AC,<br>AD,AG<br>,AL<br>AS,AU<br>,AX,A<br>Z,BC,<br>BD,BG<br>,BH<br>BL,BM<br>,BQ,B<br>R,DU,<br>DV | 2            |

# 71-11-56

 ILLUSTRATED PARTS LIST  
 01.1 Page 1084  
 Nov 01/04

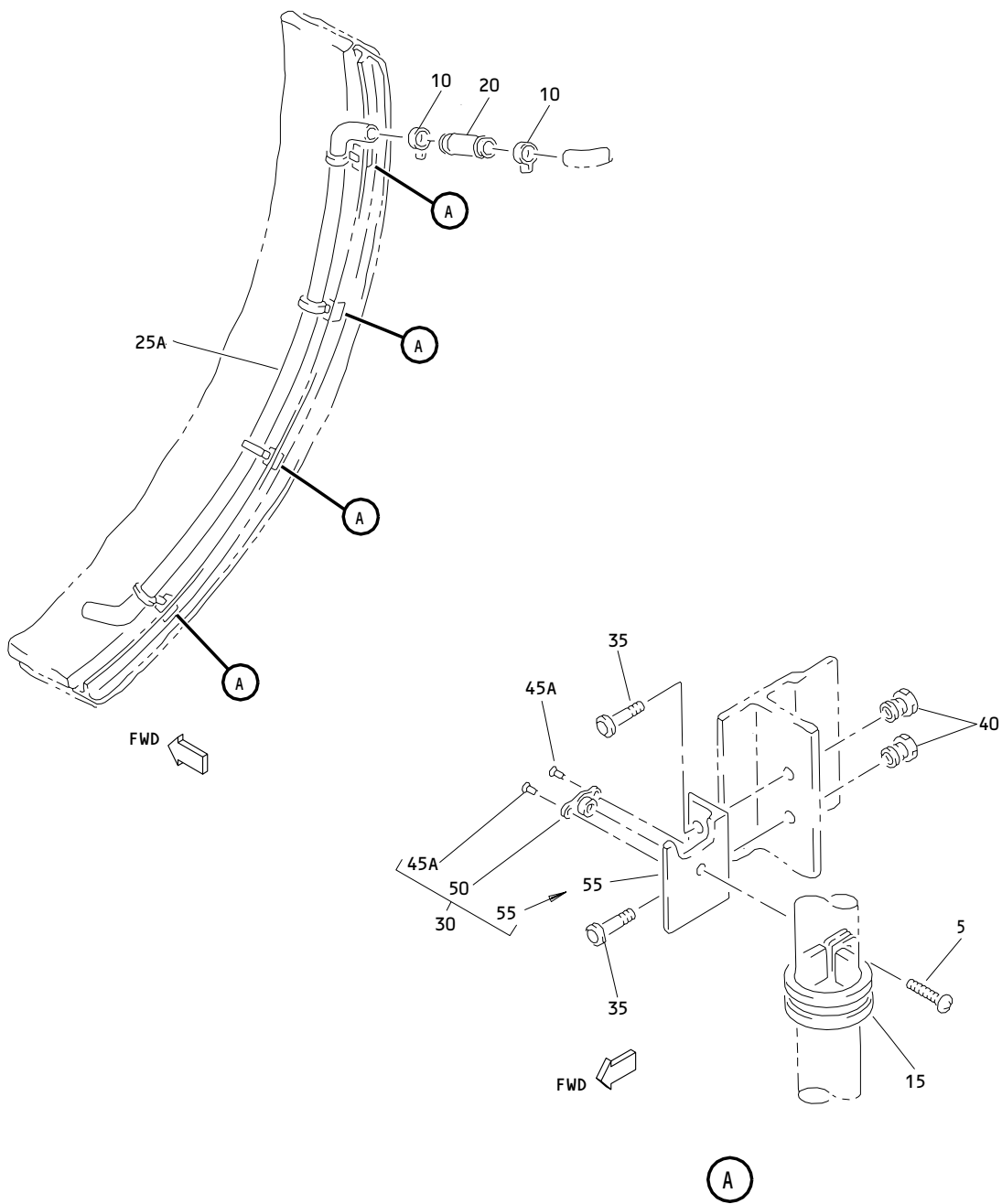
 **BOEING**  
COMPONENT  
MAINTENANCE MANUAL

| FIG. & ITEM         | PART NO.      | AIRLINE PART NUMBER | NOMENCLATURE<br>1234567   | EFF CODE  | QTY PER ASSY |
|---------------------|---------------|---------------------|---|---|--------------|
| 11-<br>-65A<br>-65B | ZH15<br>ZHV15 |                     | DELETED<br>..VALVE-<br>(V62701)<br>(OPT ITEM 65)<br>(USED ON ITEMS 50, 50A) | Q,R,T<br>,U,W,<br>X,AC,<br>AD,AG<br>,AL<br>AS,AU<br>,AX,A<br>Z,BC,<br>BD,BG<br>,BH<br>BL,BM<br>,BQ,B<br>R,DU,<br>DV | 2            |

- Item Not Illustrated

**71-11-56**

ILLUSTRATED PARTS LIST  
01.1 Page 1084A  
Nov 01/04



Thrust Reverser Inner Wall Cooling Duct Installation  
 Figure 12

**71-11-56**

ILLUSTRATED PARTS LIST  
 01.1 Page 1084B  
 Nov 01/04



**BOEING**  
COMPONENT  
MAINTENANCE MANUAL

| FIG. & ITEM | PART NO.    | AIRLINE PART NUMBER | NOMENCLATURE<br>1234567  | EFF CODE   | QTY PER ASSY |
|-------------|-------------|---------------------|--|--|--------------|
| 12-<br>-1   | 315T4102-1  |                     | DUCT INSTL-THRUST REVERSER<br>INNER WALL COOLING   | W,X,A<br>C,AD,<br>AX,AZ<br>,BC,B<br>D,BG<br>BH,BL<br>,BM,B<br>Q,BR,<br>BU,BV<br>,BZ<br>CH-CK<br>,DA-<br>DC | RF           |
| -1A         | 315T4102-1  |                     | DUCT INSTL-THRUST REVERSER<br>INNER WALL COOLING<br>(NHA 315T4295, REF<br>COLLECTOR CMM 78-31-47)<br>(NHA 315U4295, REF<br>COLLECTOR CMM 78-31-48) | DU,DV  | RF           |
| -1B         | 315T4102-8  |                     | DUCT INSTL-THRUST REVERSER<br>INNER WALL COOLING<br>(NHA 315U4295, REF<br>COLLECTOR CMM 78-31-48)  | DV   | RF           |
| -1C         | 315T4102-10 |                     | DUCT INSTL-THRUST REVERSER<br>INNER WALL COOLING<br>(NHA 315U4295, REF<br>COLLECTOR CMM 78-31-48)  | DV   | RF           |
| -1D         | 315T4102-12 |                     | DUCT INSTL-THRUST REVERSER<br>INNER WALL COOLING<br>(NHA 315U4295, REF<br>COLLECTOR CMM 78-31-48)  | DV   | RF           |
| -1E         | 315T4102-14 |                     | DUCT INSTL-THRUST REVERSER<br>INNER WALL COOLING<br>(NHA 315U4295, REF<br>COLLECTOR CMM 78-31-48)  | DV   | RF           |
| -1F         | 315T4102-16 |                     | DUCT INSTL-THRUST REVERSER<br>INNER WALL COOLING<br>(NHA 315T4295, REF<br>COLLECTOR CMM 78-31-47)  | DU   | RF           |
| -1G         | 315T4102-18 |                     | DUCT INSTL-THRUST REVERSER<br>INNER WALL COOLING<br>(NHA 315T4295, REF<br>COLLECTOR CMM 78-31-47)  | DU   | RF           |

**71-11-56**

ILLUSTRATED PARTS LIST  
01.1 Page 1084C  
Nov 01/04

| FIG. & ITEM | PART NO.    | AIRLINE PART NUMBER | NOMENCLATURE  | EFF CODE   | QTY PER ASSY |
|-------------|-------------|---------------------|---|--|--------------|
| 12-5        | BACS12CK3U8 |                     | .SCREW  | W,X,A<br>C,AD,<br>AX,AZ<br>,BC,B<br>D,BG<br>BH,BL<br>,BM,B<br>Q,BR,<br>BU,BV<br>,BZ<br>CH-CK<br>,DA-<br>DC,DU<br>,DV | 4            |
| 10          | 16          |                     | .CLAMP-<br>(V7Z588)<br>(SPEC STBC10GG38-48)<br>(OPT WWD38-48H<br>(V66295))  | W,X,A<br>C,AD,<br>AX,AZ<br>,BC,B<br>D,BG<br>BH,BL<br>,BM,B<br>Q,BR,<br>BU,BV<br>,BZ<br>CH-CK<br>,DA-<br>DC,DU<br>,DV | 2            |
| 15          | 025029-20   |                     | .CLAMP-<br>(V84971)<br>(SPEC BACC10HS20)<br>(OPT 44LC17H20PB<br>(V22175))<br>(OPT S500-20<br>(V18076))<br>(OPT 490-20RPB<br>(V83930)) | W,X,A<br>C,AD,<br>AX,AZ<br>,BC,B<br>D,BG<br>BH,BL<br>,BM,B<br>Q,BR,<br>BU,BV<br>,BZ<br>CH-CK<br>,DA-<br>DC,DU<br>,DV | 4            |

# 71-11-56

 ILLUSTRATED PARTS LIST  
 01.1 Page 1084D  
 Nov 01/04

**BOEING**  
COMPONENT  
MAINTENANCE MANUAL

| FIG. & ITEM | PART NO.                 | AIRLINE PART NUMBER | NOMENCLATURE     | EFF CODE   | QTY PER ASSY |
|-------------|--------------------------|---------------------|------------------|--|--------------|
| 12-20       | BACD40D5-37-30           |                     | 1234567<br>.DUCT | W,X,A<br>C,AD,<br>AX,AZ<br>,BC,B<br>D,BG<br>BH,BL<br>,BM,B<br>Q,BR,<br>BU,BV<br>,BZ<br>CH-CK<br>,DA-<br>DC,DU<br>,DV | 1            |
| 25<br>25A   | 315T4102-5<br>315T4102-7 |                     | DELETED<br>.TUBE | W,X,A<br>C,AD,<br>AX,AZ<br>,BC,B<br>D,BG<br>BH,BL<br>,BM,B<br>Q,BR,<br>BU,BV<br>,BZ<br>CH-CK<br>,DA-<br>DC,DU<br>,DV | 1            |

71-11-56

| FIG. & ITEM | PART NO.   | AIRLINE PART NUMBER | NOMENCLATURE  | EFF CODE   | QTY PER ASSY |
|-------------|------------|---------------------|---|--|--------------|
| 12-30       | 315T4102-3 |                     | .BRACKET ASSY   | W,X,A<br>C,AD,<br>AX,AZ<br>,BC,B<br>D,BG<br>BH,BL<br>,BM,B<br>Q,BR,<br>BU,BV<br>,BZ<br>CH-CK<br>,DA-<br>DC,DU<br>,DV | 4            |
| 35          | L8006K6    |                     | ATTACHING PARTS<br>.BOLT-<br>(V06725)<br>(SPEC BACB30MY6K6)<br>(OPT HL10VAZ6-6<br>(VOPTK6)) | W,X,A<br>C,AD,<br>AX,AZ<br>,BC,B<br>D,BG<br>BH,BL<br>,BM,B<br>Q,BR,<br>BU,BV<br>,BZ<br>CH-CK<br>,DA-<br>DC,DU<br>,DV | 8            |

# 71-11-56

 ILLUSTRATED PARTS LIST  
 01.1 Page 1084F  
 Nov 01/04

**BOEING**  
COMPONENT  
MAINTENANCE MANUAL

| FIG. & ITEM | PART NO.                 | AIRLINE PART NUMBER | NOMENCLATURE  | EFF CODE   | QTY PER ASSY |
|-------------|--------------------------|---------------------|---|--|--------------|
| 12-40       | HL79-6                   |                     | .COLLAR-<br>(V5M902)<br>(SPEC BACC30M6)<br>(OPT HL79-6<br>(V73197))<br>(OPT HL79-6<br>(V92215))<br>(OPT 66014-6<br>(V56878))<br>(OPT HL79-6<br>(V56878))  | W,X,A<br>C,AD,<br>AX,AZ<br>,BC,B<br>D,BG<br>BH,BL<br>,BM,B<br>Q,BR,<br>BU,BV<br>,BZ<br>CH-CK<br>,DA-<br>DC,DU<br>,DV | 8            |
| 45<br>45A   | BACF15CE3D<br>BACR15CE3D |                     | -----*-----<br>DELETED<br>..RIVET-<br>(SIZE DETERMINE ON INST)  | W,X,A<br>C,AD,<br>AX,AZ<br>,BC,B<br>D,BG<br>BH,BL<br>,BM,B<br>Q,BR,<br>BU,BV<br>,BZ<br>CH-CK<br>,DA-<br>DC,DU<br>,DV | 2            |
| 50          | K1000-3BAC               |                     | ..NUTPLATE-<br>(V15653)<br>(SPEC BACN10JR3)<br>(OPT NS103202-02<br>(V80539))<br>(OPT RMA9201-3<br>(V72962))<br>(OPT T8088S1032<br>(V11815))<br>(OPT VN102A1-02<br>(V92215))<br>(OPT BR2000A3<br>(V52828)) | W,X,A<br>C,AD,<br>AX,AZ<br>,BC,B<br>D,BG<br>BH,BL<br>,BM,B<br>Q,BR,<br>BU,BV<br>,BZ<br>CH-CK<br>,DA-<br>DC,DU<br>,DV | 1            |

71-11-56

ILLUSTRATED PARTS LIST  
01.1 Page 1084G  
Nov 01/04

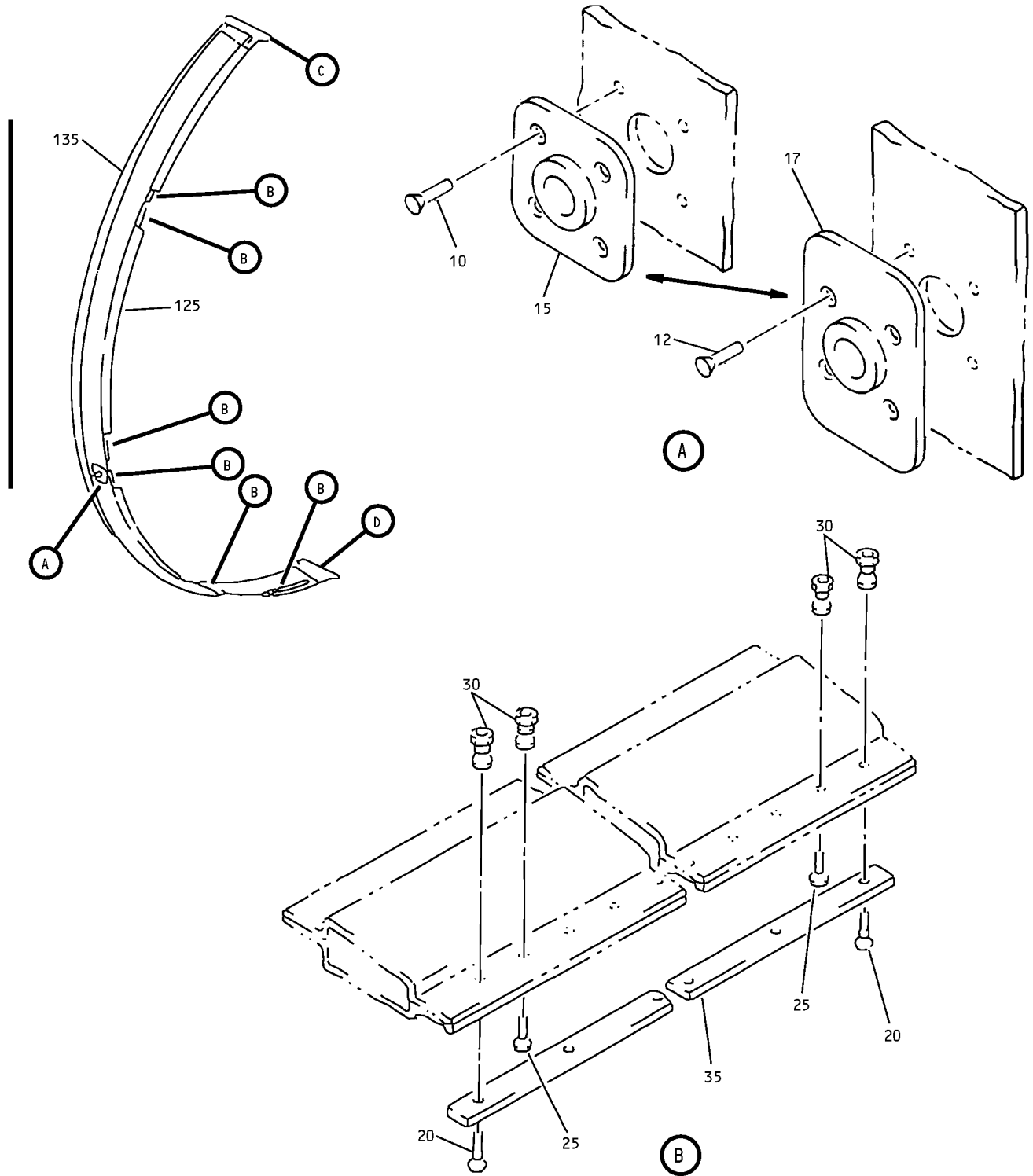


| FIG. & ITEM | PART NO.   | AIRLINE PART NUMBER | NOMENCLATURE           | EFF CODE   | QTY PER ASSY |
|-------------|------------|---------------------|------------------------|--|--------------|
| 12-55       | 315T4102-4 |                     | 1234567<br><br>..ANGLE | W,X,A<br>C,AD,<br>AX,AZ<br>,BC,B<br>D,BG<br>BH,BL<br>,BM,B<br>Q,BR,<br>BU,BV<br>,BZ<br>CH-CK<br>,DA-<br>DC,DU<br>,DV | 1            |

- Item Not Illustrated

**71-11-56**

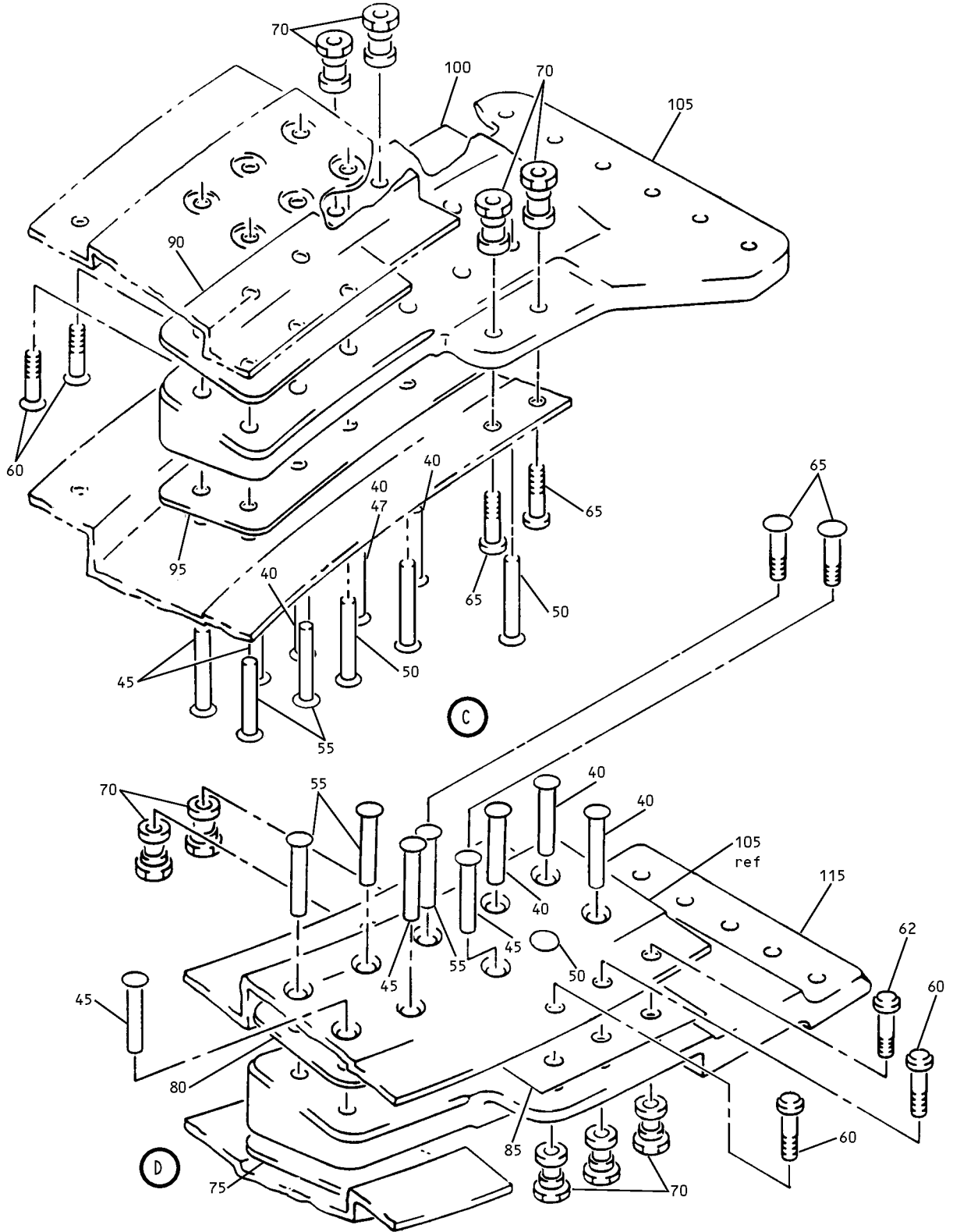
ILLUSTRATED PARTS LIST  
 01.1 Page 1084H  
 Nov 01/04



Aft Cascade Support Ring Assembly  
Figure 13 (Sheet 1)

**71-11-56**

ILLUSTRATED PARTS LIST  
01.1 Page 1084I  
Nov 01/04



Aft Cascade Support Ring Assembly  
 Figure 13 (Sheet 2)

**71-11-56**

ILLUSTRATED PARTS LIST  
 01.1 Page 1084J  
 Nov 01/04



**BOEING**  
COMPONENT  
MAINTENANCE MANUAL

| FIG. & ITEM | PART NO.      | AIRLINE PART NUMBER | NOMENCLATURE<br>1234567   | EFF CODE   | QTY PER ASSY |
|-------------|---------------|---------------------|---|--|--------------|
| 13-<br>-1   | 315T3204-11   |                     | RING ASSY-AFT CASCADE SPRT<br>(PRE SB 747-78A2165)<br>(PRE SB 767-78A0080)<br>(PRE SB 767-78A0089)              | A-D,<br>J-N,Y<br>,AE,A<br>F,AJ,<br>AK<br>AN-AR                               | RF           |
| -1A         | 315T3204-11   |                     | RING ASSY-AFT CASCADE SPRT<br>(LIMITED)<br>(PRE SB 747-78A2165)<br>(PRE SB 767-78A0080)<br>(PRE SB 767-78A0089) | V,Z,A<br>W,AY  | RF           |
| -1B         | 315T3204-15   |                     | DELETED   |  |              |
| -1C         | 315T3204-15   |                     | DELETED   |  |              |
| -1D         | 315T3204-5011 |                     | RING ASSY-<br>(LIMITED)   | V,Z,A<br>W,AY,<br>BA,BB<br>,BE,B<br>F,BJ<br>BK,BN<br>,BP,B<br>S,BT,<br>BW,BX | RF           |
| -1E         | 315T3204-5013 |                     | RING ASSY-<br>(LIMITED)   | V,Z,A<br>W,AY,<br>BA,BB<br>,BE,B<br>F,BJ<br>BK,BN<br>,BP,B<br>S,BT,<br>BW,BX | RF           |
| -1F         | 315T3204-19   |                     | RING ASSY-AFT CASCADE SPRT<br>(PRE SB 747-78A2165)<br>(PRE SB 767-78A0080)<br>(PRE SB 767-78A0089)              | CA,CT  | RF           |
| -1G         | 315T3204-21   |                     | RING ASSY-AFT CASCADE SPRT  | CB,CC<br>,CU,C<br>V  | RF           |

71-11-56

ILLUSTRATED PARTS LIST  
01.1 Page 1084K  
Nov 01/04

| FIG. & ITEM | PART NO.    | AIRLINE PART NUMBER | NOMENCLATURE<br>1234567  | EFF CODE  | QTY PER ASSY |
|-------------|-------------|---------------------|--|---|--------------|
| 13-<br>-1H  | 315T3204-21 |                     | RING ASSY-AFT CASCADE SPRT<br>(POST SB 747-78A2165)<br>(POST SB 767-78A0080)<br>(POST SB 767-78A0089)                        | A-D,<br>J-N,V<br>,Y,Z,<br>AE,AF<br>,AJ<br>AK,A<br>N-AR,<br>AW,AY<br>,BA,B<br>B,BE<br>BF,BJ<br>,BK,B<br>N,BP,<br>BS,BT<br>,BW<br>BX,CA<br>,CT<br>DS,DT | RF           |
| -1J         | 315T3204-21 |                     | RING ASSY-AFT CASCADE SPRT<br>(NHA 315T4295, REF<br>COLLECTOR CMM 78-31-47)<br>(NHA 315U4295, REF<br>COLLECTOR CMM 78-31-48) |   | RF           |
| -1K         | 315T3204-23 |                     | RING ASSY-AFT CASCADE SPRT<br>(NHA 315U4295, REF<br>COLLECTOR CMM 78-31-48)  | DT  | RF           |
| -1L         | 315T3204-25 |                     | RING ASSY-AFT CASCADE SPRT<br>(NHA 315U4295, REF<br>COLLECTOR CMM 78-31-48)  | DT  | RF           |
| -1M         | 315T3204-27 |                     | RING ASSY-AFT CASCADE SPRT<br>(NHA 315U4295, REF<br>COLLECTOR CMM 78-31-48)  | DT  | RF           |
| -1N         | 315T3204-29 |                     | RING ASSY-AFT CASCADE SPRT<br>(NHA 315U4295, REF<br>COLLECTOR CMM 78-31-48)  | DT  | RF           |
| -1P         | 315T3204-31 |                     | RING ASSY-AFT CASCADE SPRT<br>(NHA 315T4295, REF<br>COLLECTOR CMM 78-31-47)  | DS  | RF           |
| -1Q         | 315T3204-33 |                     | RING ASSY-AFT CASCADE SPRT<br>(NHA 315T4295, REF<br>COLLECTOR CMM 78-31-47)  | DS  | RF           |

# 71-11-56

 ILLUSTRATED PARTS LIST  
 01.1 Page 1084L  
 Nov 01/04

 **BOEING**  
COMPONENT  
MAINTENANCE MANUAL

| FIG. & ITEM | PART NO.      | AIRLINE PART NUMBER | NOMENCLATURE<br>1234567   | EFF CODE  | QTY PER ASSY |
|-------------|---------------|---------------------|---|---|--------------|
| 13-5        | 315T3204-12   |                     | RING ASSY-AFT CASCADE SPRT<br>(PRE SB 747-78A2165)<br>(PRE SB 767-78A0080)<br>(PRE SB 767-78A0089)              | E,F,H<br>,Q,R,<br>T,U,W<br>,AA,A<br>C,AG<br>AH,AL<br>,AM,A<br>S-AV            | RF           |
| -5A         | 315T3204-12   |                     | RING ASSY-AFT CASCADE SPRT<br>(LIMITED)<br>(PRE SB 747-78A2165)<br>(PRE SB 767-78A0080)<br>(PRE SB 767-78A0089) | X,AD,<br>AX,AZ  | RF           |
| -5B         | 315T3204-16   |                     | DELETED   |   |              |
| -5C         | 315T3204-16   |                     | DELETED   |   |              |
| -5D         | 315T3204-5012 |                     | RING ASSY-<br>(LIMITED)   | X,AD,<br>AX,AZ<br>,BC,B<br>D,BG,<br>BH,BL<br>BM,BQ<br>,BR,B<br>U,BV,<br>BY,BZ | RF           |
| -5E         | 315T3204-5014 |                     | RING ASSY-<br>(LIMITED)   | X,AD,<br>AX,AZ<br>,BC,B<br>D,BG,<br>BH,BL<br>BM,BQ<br>,BR,B<br>U,BV,<br>BY,BZ | RF           |

71-11-56

| FIG. & ITEM | PART NO.    | AIRLINE PART NUMBER | NOMENCLATURE<br>1234567  | EFF CODE   | QTY PER ASSY |
|-------------|-------------|---------------------|--|--|--------------|
| 13-5F       | 315T3204-20 |                     | RING ASSY-AFT CASCADE SPRT<br>(PRE SB 747-78A2165)<br>(PRE SB 767-78A0080)<br>(PRE SB 767-78A0089)                           | CH,DA  | RF           |
| -5G         | 315T3204-22 |                     | RING ASSY-AFT CASCADE SPRT   | CJ,CK<br>,DB,<br>DC  | RF           |
| -5H         | 315T3204-22 |                     | RING ASSY-AFT CASCADE SPRT<br>(POST SB 747-78A2165)<br>(POST SB 767-78A0080)<br>(POST SB 767-78A0089)                        | E,F,H<br>,Q,R,<br>T,U,W<br>,X,AA<br>,AC<br>AD,AG<br>,AH,A<br>L,AM,<br>AS-AV<br>,AX<br>AZ,BC<br>,BD,B<br>G,BH,<br>BL,BM<br>,BQ<br>BR,BU<br>,BV,B<br>Y,BZ,<br>CH,DA<br>DU,DV | RF           |
| -5J         | 315T3204-22 |                     | RING ASSY-AFT CASCADE SPRT<br>(NHA 315T4295, REF<br>COLLECTOR CMM 78-31-47)<br>(NHA 315U4295, REF<br>COLLECTOR CMM 78-31-48) |  | RF           |

# 71-11-56

 ILLUSTRATED PARTS LIST  
 01.1 Page 1084N  
 Nov 01/04

**BOEING**  
COMPONENT  
MAINTENANCE MANUAL

| FIG. & ITEM | PART NO.     | AIRLINE PART NUMBER | NOMENCLATURE<br>1234567   | EFF CODE  | QTY PER ASSY |
|-------------|--------------|---------------------|---|---|--------------|
| 13-5K       | 315T3204-24  |                     | RING ASSY-AFT CASCADE SPRT (NHA 315U4295, REF COLLECTOR CMM 78-31-48)     | DV  | RF           |
| -5L         | 315T3204-26  |                     | RING ASSY-AFT CASCADE SPRT (NHA 315U4295, REF COLLECTOR CMM 78-31-48)     | DV  | RF           |
| -5M         | 315T3204-28  |                     | RING ASSY-AFT CASCADE SPRT (NHA 315U4295, REF COLLECTOR CMM 78-31-48)     | DV  | RF           |
| -5N         | 315T3204-30  |                     | RING ASSY-AFT CASCADE SPRT (NHA 315U4295, REF COLLECTOR CMM 78-31-48)     | DV  | RF           |
| -5P         | 315T3204-32  |                     | RING ASSY-AFT CASCADE SPRT (NHA 315T4295, REF COLLECTOR CMM 78-31-47)     | DU  | RF           |
| -5Q         | 315T3204-34  |                     | RING ASSY-AFT CASCADE SPRT (NHA 315T4295, REF COLLECTOR CMM 78-31-47)     | DU  | RF           |
| 10          | BACR15CE6KE7 |                     | .RIVET- (USED ON ITEMS 1, 1A, 1D, 1E, 5, 5A, 5D, 5E) (PRE SB 767-78A0089) | A-F, H-N, Q, R, T-AA, AC-CA, CH, CT, DA, CA, CH, CT, DA         | 4            |
| -10A        | BACR15CE6KE7 |                     | .RIVET- (USED ON ITEMS 1F, 5F)  | DA, A-F, H-N, Q, R, T-AA, AC-CC, CH-CK, CT-C, V, D, A-DC, DS-DV | 4            |
| 12          | BACR15FP5MP  |                     | .RIVET- (SIZE DETERMINE ON INST) (USED ON ITEMS 1G, 1H, 5G, 5H)           |   | 4            |
| -12A        | BACR15FP5MP  |                     | .RIVET- (SIZE DETERMINE ON INST)  |   | 4            |

71-11-56



| FIG. & ITEM | PART NO.     | AIRLINE PART NUMBER | NOMENCLATURE<br>1234567  | EFF CODE  | QTY PER ASSY |
|-------------|--------------|---------------------|--|---|--------------|
| 13-<br>-12B | MS90353-0603 |                     | .RIVET-<br>(USED ON ITEMS 1, 1A,<br>1D, 1E, 5, 5A, 5D, 5E)<br>(POST SB 767-78A0089)                                  | A-F,<br>H-N,Q<br>,R,<br>T-AA,<br>AC-CA<br>,CH<br>CT,DA                  | 4            |
| 15          | 315T3222-4   |                     | .BUSHING-<br>(USED ON ITEMS 1, 1A, 5,<br>5A)<br>(PRE SB 747-78A2165)<br>(PRE SB 767-78A0080)<br>(PRE SB 767-78A0089) | A-F,<br>H-N,Q<br>,R,<br>T-AA,<br>AC-AZ                                  | 1            |
| -15A        | 315T3222-6   |                     | .BUSHING-<br>(USED ON ITEMS 1E, 5E)<br>(PRE SB 747-78A2165)<br>(PRE SB 767-78A0080)<br>(PRE SB 767-78A0089)          | V,X,Z<br>,AD,A<br>W-BZ  | 1            |
| -15B        | 315T3222-5   |                     | .BUSHING-<br>(USED ON ITEMS 1D, 5D)<br>(PRE SB 747-78A2165)<br>(PRE SB 767-78A0080)<br>(PRE SB 767-78A0089)          | V,X,Z<br>,AD,A<br>W-BZ  | 1            |
| -15C        | 315T3222-7   |                     | .BUSHING-<br>(USED ON ITEMS 1F, 5F)  | CA,CH<br>,CT,<br>DA   | 1            |
| 17          | 315T3222-9   |                     | .BUSHING-<br>(USED ON ITEMS 1G, 1H,<br>5G, 5H)   | A-F,<br>H-N,Q<br>,R,<br>T-AA,<br>AC-CC<br>CH-CK<br>,CT-C<br>V,D<br>A-DC | 1            |
| -17A        | 315T3222-9   |                     | .BUSHING   | DS-DV   | 1            |
| 17B         | 315T3222-10  |                     | .BUSHING-<br>(USED ON ITEMS 1, 1A,<br>1D, 1E, 5, 5A, 5D, 5E)<br>(POST SB 747-78A2165)<br>(POST SB 767-78A0089)       | A-F,<br>H-N,Q<br>,R,<br>T-AA,<br>AC-CA<br>,CH<br>CT,DA                  | 1            |

# 71-11-56

 ILLUSTRATED PARTS LIST  
 01.1 Page 1084P  
 Nov 01/04



**BOEING**  
COMPONENT  
MAINTENANCE MANUAL

| FIG. & ITEM | PART NO.   | AIRLINE PART NUMBER | NOMENCLATURE<br>1234567   | EFF CODE  | QTY PER ASSY |
|-------------|------------|---------------------|---|---|--------------|
| 13-20       | HL13VAZ6-4 |                     | .BOLT-<br>(V56878)<br>(SPEC BACB30NY6K4)<br>(OPT HL13VAZ6-4 (V73197))<br>(OPT HL13VAZ6-4 (V92215))<br>(OPT HL13VAZ6-4 (V97928))<br>(OPT L801-6K4 (V06725))<br>(OPT HL13VAZ6-4 (V08524))<br>(OPT HL13V4 (V06725))<br>(OPT HL13VAZ6-4 (V17446))   | A-F,<br>H-N,Q<br>,R,<br>T-AA,<br>AC-CC<br>CH-CK<br>,CT-C<br>V,D<br>A-DC,<br>DS-DV | 72           |
| 25          | HL11VAZ6-3 |                     | .BOLT-<br>(V60516)<br>(SPEC BACB30NW6K3)<br>(OPT B30NW6K3 (V97928))<br>(OPT HL11VAZ6-3 (V73197))<br>(OPT HL11VAZ6-3 (V92215))<br>(OPT HL11VAZ6-3 (V97928))<br>(OPT L803-6K3 (V06725))<br>(OPT HL11VAZ6-3 (V0PTK6))<br>(OPT HL11VAZ6-3 (V56878)) | A-F,<br>H-N,Q<br>,R,<br>T-AA,<br>AC-CC<br>CH-CK<br>,CT-C<br>V,D<br>A-DC,<br>DS-DV | 66           |
| 30          | HL79-6     |                     | .COLLAR-<br>(V5M902)<br>(SPEC BACC30M6)<br>(OPT HL79-6 (V73197))<br>(OPT HL79-6 (V92215))<br>(OPT 66014-6 (V56878))<br>(OPT HL79-6 (V56878))  | A-F,<br>H-N,Q<br>,R,<br>T-AA,<br>AC-CC<br>CH-CK<br>,CT-C<br>V,D<br>A-DC,<br>DS-DV | 138          |

**71-11-56**

ILLUSTRATED PARTS LIST  
01.1 Page 1084Q  
Nov 01/04

| FIG. & ITEM | PART NO.       | AIRLINE PART NUMBER | NOMENCLATURE<br>1234567   | EFF CODE  | QTY PER ASSY |
|-------------|----------------|---------------------|---|---|--------------|
| 13-35       | 315T3220-1     |                     | .STRIP-RUB  | A-F,<br>H-N,Q<br>,R,<br>T-AA,<br>AC-CC<br>CH-CK<br>,CT-C<br>V,D<br>A-DC,<br>DS-DV | 6            |
| 40          | BACR15CE8KE20  |                     | .RIVET  | A-F,<br>H-N,Q<br>,R,<br>T-AA,<br>AC-CC<br>CH-CK<br>,CT-C<br>V,D<br>A-DC,<br>DS-DV | 6            |
| 45          | BACR15CE8KE22  |                     | .RIVET-<br>(USED ON ITEMS 1D, 1E,<br>5D, 5E)                          | V,X,Z<br>,AD,A<br>W-BZ  | 5            |
| -45A        | BACR15BA8KE22C |                     | .RIVET-<br>(USED ON ITEMS 1, 1A,<br>1F, 1G ,1H, 5 ,5A, 5F,<br>5G, 5H) | A-F,<br>H-N,Q<br>,R,<br>T-AA,<br>AC-AZ<br>CA-CC<br>,CH-C<br>K,C<br>T-CV,<br>DA-DC | 5            |
| -45B        | BACR15BA8KE22C |                     | .RIVET  | DS-DV   | 5            |

# 71-11-56

 ILLUSTRATED PARTS LIST  
 01.1 Page 1084R  
 Nov 01/04

| FIG. & ITEM | PART NO.       | AIRLINE PART NUMBER | NOMENCLATURE<br>1234567   | EFF CODE  | QTY PER ASSY |
|-------------|----------------|---------------------|---|---|--------------|
| 13-47       | BACR15CE8KE17  |                     | .RIVET-<br>(USED ON ITEMS 1D, 1E, 5D, 5E)                       | V,X,Z<br>,AD,A<br>W-BZ  | 1            |
| -47A        | BACR15BA8KE17C |                     | .RIVET-<br>(USED ON ITEMS 1, 1A, 1F, 1G, 1H, 5, 5A, 5F, 5G, 5H) | A-F,<br>H-N,Q<br>,R,<br>T-AA,<br>AC-AZ<br>CA-CC<br>,CH-C<br>K,C<br>T-CV,<br>DA-DC | 1            |
| -47B        | BACR15BA8KE17C |                     | .RIVET  | DS-DV   | 1            |
| 50          | BACR15CE8KE17  |                     | .RIVET  | A-F,<br>H-N,Q<br>,R,<br>T-AA,<br>AC-CC<br>CH-CK<br>,CT-C<br>V,D<br>A-DC,<br>DS-DV | 4            |
| 55          | BACR15CE8KE19  |                     | .RIVET-<br>(USED ON ITEMS 1D, 1E, 5D, 5E)                       | V,X,Z<br>,AD,A<br>W-BZ  | 5            |
| -55A        | BACR15BA8KE19C |                     | .RIVET-<br>(USED ON ITEMS 1, 1A, 1F, 1G, 1H, 5, 5A, 5F, 5G, 5H) | A-F,<br>H-N,Q<br>,R,<br>T-AA,<br>AC-AZ<br>CA-CC<br>,CH-C<br>K,C<br>T-CV,<br>DA-DC | 5            |
| -55B        | BACR15BA8KE19C |                     | .RIVET  | DS-DV   | 5            |

71-11-56

| FIG. & ITEM | PART NO.     | AIRLINE PART NUMBER | NOMENCLATURE<br>1234567  | EFF CODE  | QTY PER ASSY |
|-------------|--------------|---------------------|--|---|--------------|
| 13-60       | HL11VAZ6-5   |                     | .BOLT-<br>(V60516)<br>(SPEC BACB30NW6K5)<br>(OPT HL11V6-5<br>(V92215))<br>(OPT HL11V6-5<br>(V97928))<br>(OPT L803-6-5<br>(V06725))<br>(OPT B30NW6K5<br>(V97928))<br>(OPT HL11VAZ6-5<br>(V73197))<br>(OPT HL11VAZ6-5<br>(V92215))<br>(OPT HL11VAZ6-5<br>(V56878)) | A-F,<br>H-N,Q<br>,R,<br>T-AA,<br>AC-CC<br>CH-CK<br>,CT-C<br>V,D<br>A-DC,<br>DS-DV | 4            |
| 62          | BACB30MY6K4  |                     | .BOLT-<br>(USED ON ITEMS 1D, 1E,<br>5D, 5E)  | V,X,Z<br>,AD,A<br>W-BZ  | 1            |
| -62A        | BACB30MY6K10 |                     | .BOLT-<br>(USED ON ITEMS 1, 1A,<br>1F, 1G, 1H, 5, 5A, 5F,<br>5G, 5H)   | A-F,<br>H-N,Q<br>,R,<br>T-AA,<br>AC-AZ<br>CA-CC<br>,CH-C<br>K,C<br>T-CV,<br>DA-DC | 1            |
| -62B        | BACB30MY6K10 |                     | .BOLT  | DS-DV   | 1            |

# 71-11-56

 ILLUSTRATED PARTS LIST  
 01.1 Page 1084T  
 Nov 01/04

 **BOEING**  
COMPONENT  
MAINTENANCE MANUAL

| FIG. & ITEM | PART NO.        | AIRLINE PART NUMBER | NOMENCLATURE<br>1234567  | EFF CODE  | QTY PER ASSY |
|-------------|-----------------|---------------------|--|---|--------------|
| 13-65       | BACB30MY6K4     |                     | .BOLT  | A-F,<br>H-N,Q<br>,R,<br>T-AA,<br>AC-CC<br>CH-CK<br>,CT-C<br>V,D<br>A-DC,<br>DS-DV | 4            |
| 70          | HL79-6          |                     | .COLLAR-<br>(V5M902)<br>(SPEC BACC30M6)<br>(OPT HL79-6<br>(V73197))<br>(OPT HL79-6<br>(V92215))<br>(OPT 66014-6<br>(V56878))<br>(OPT HL79-6<br>(V56878)) | A-F,<br>H-N,Q<br>,R,<br>T-AA,<br>AC-CC<br>CH-CK<br>,CT-C<br>V,D<br>A-DC,<br>DS-DV | 9            |
| 75          | BACS40R21B29F   |                     | .SHIM-<br>(USED ON ITEMS 1D, 1E,<br>5D, 5E)  | V,X,Z<br>,AD,A<br>W-BZ  | AR           |
| -75A        | BACS40R021B029F |                     | .SHIM-<br>(USED ON ITEMS 1, 1A,<br>1F, 1G, 1H, 5, 5A, 5F,<br>5G, 5H)   | A-F,<br>H-N,Q<br>,R,<br>T-AA,<br>AC-AZ<br>CA-CC<br>,CH-C<br>K,C<br>T-CV,<br>DA-DC | AR           |

71-11-56

ILLUSTRATED PARTS LIST  
01.1 Page 1084U  
Nov 01/04

| FIG. & ITEM       | PART NO.                         | AIRLINE PART NUMBER | NOMENCLATURE<br>1234567  | EFF CODE  | QTY PER ASSY |
|-------------------|----------------------------------|---------------------|--|---|--------------|
| 13-<br>-75B<br>80 | BACS40R021B029F<br>BACS40R22C65F |                     | .SHIM<br>.SHIM-<br>(USED ON ITEMS 1D, 1E,<br>5D, 5E)                 | DS-DV<br>V,X,Z<br>,AD,A<br>W-BZ   | AR<br>AR     |
| -80A              | BACS40R022C065F                  |                     | .SHIM-<br>(USED ON ITEMS 1, 1A,<br>1F, 1G, 1H, 5 ,5A, 5F,<br>5G, 5H) | A-F,<br>H-N,Q<br>,R,<br>T-AA,<br>AC-AZ<br>CA-CC<br>,CH-C<br>K,C<br>T-CV,<br>DA-DC | AR           |
| -80B<br>85        | BACS40R022C065F<br>BACS40R11B33F |                     | .SHIM<br>.SHIM-<br>(USED ON ITEM 1D, 1E,<br>5D, 5E)                  | DS-DV<br>V,X,Z<br>,AD,A<br>W-BZ   | AR<br>AR     |
| -85A              | BACS40R011B033F                  |                     | .SHIM-<br>(USED ON ITEMS 1, 1A,<br>1F, 1G, 1H, 5 ,5A, 5F,<br>5G, 5H) | A-F,<br>H-N,Q<br>,R,<br>T-AA,<br>AC-AZ<br>CA-CC<br>,CH-C<br>K,C<br>T-CV,<br>DA-DC | AR           |
| -85B<br>90        | BACS40R011B035F<br>BACS40R21B35F |                     | .SHIM<br>.SHIM-<br>(USED ON ITEMS 1D, 1E,<br>5D, 5E)                 | DS-DV<br>V,X,Z<br>,AD,A<br>W-BZ   | AR<br>AR     |
| -90A              | BACS40R021B035F                  |                     | .SHIM-<br>(USED ON ITEMS 1, 1A,<br>1F, 1G, 1H, 5 ,5A, 5F,<br>5G, 5H) | A-F,<br>H-N,Q<br>,R,<br>T-AA,<br>AC-AZ<br>CA-CC<br>,CH-C<br>K,C<br>T-CV,<br>DA-DC | AR           |

# 71-11-56

 ILLUSTRATED PARTS LIST  
 01.1 Page 1084V  
 Nov 01/04

**BOEING**  
COMPONENT  
MAINTENANCE MANUAL

| FIG. & ITEM         | PART NO.  | AIRLINE PART NUMBER | NOMENCLATURE   | EFF CODE   | QTY PER ASSY |
|---------------------|---|---------------------|--|--|--------------|
|                     |   |                     | 1234567  |  |              |
| 13-<br>-90B<br>95   | BACS40R021B035F<br>BACS40R22C58F                    |                     | .SHIM<br>.SHIM-<br>(USED ON ITEMS 1D, 1E,<br>5D, 5E)                 | DS-DV<br>V,X,Z<br>,AD,A<br>W-BZ  | AR<br>AR     |
| -95A                | BACS40R022C058F                                     |                     | .SHIM-<br>(USED ON ITEMS 1, 1A,<br>1F, 1G, 1H, 5, 5A, 5F,<br>5G, 5H) | A-F,<br>H-N,Q<br>,R,<br>T-AA,<br>AC-AZ<br>CA-CC<br>,CH-C<br>K,C<br>T-CV,<br>DA-DC<br>DS-DV | AR           |
| -95B<br>100<br>100A | BACS40R022C058F<br>BACS40R11B28F<br>BACS40R011B028F |                     | .SHIM<br>DELETED<br>.SHIM  | A-F,<br>H-N,Q<br>,R,<br>T-AA,<br>AC-CC<br>CH-CK<br>,CT-C<br>V,D<br>A-DC,<br>DS-DV          | AR<br>AR     |
| 105                 | 315T4203-3  |                     | .FITTING-LWR<br>(LIMITED)<br>(USED ON ITEMS 1, 1A)                   | A-D,<br>J-N,V<br>,Y,Z,<br>AE,AF<br>,AJ,A<br>K<br>AN-AR<br>,AW,A<br>Y                       | 1            |

71-11-56

ILLUSTRATED PARTS LIST  
01.1 Page 1084W  
Nov 01/04



| FIG. & ITEM  | PART NO.   | AIRLINE PART NUMBER | NOMENCLATURE   | EFF CODE   | QTY PER ASSY |
|--------------|------------|---------------------|--|--|--------------|
| 13-<br>-105A | 315T4203-7 |                     | .FITTING-LWR<br>(LIMITED)<br>(USED ON ITEMS 1, 1A)                   | A-D,<br>J-N,V<br>,Y,Z,<br>AE,AF<br>,AJ,A<br>K<br>AN-AR<br>,AW,A<br>Y   | 1            |
| -105B        | 315T4203-7 |                     | .FITTING-LWR<br>(USED ON ITEM 1D)                                    | V,Z,A<br>W,AY,<br>BA,BB<br>,BE,B<br>F,BJ<br>BK,BN<br>,BP,B<br>S,BT,<br>BW,BX   | 1            |
| -105C        | 315T4203-7 |                     | .FITTING-LWR<br>(OPT ITEM 105D)<br>(USED ON ITEMS 1E, 1F,<br>1G, 1H) | A-D,<br>J-N,V<br>,Y,Z,<br>AE,AF<br>,AJ,A<br>K<br>AN-AR<br>,AW,A<br>Y,BA,<br>BB,BE<br>,BF<br>BJ,BK<br>,BN,B<br>P,BS,<br>BT,BW<br>,BX<br>CA-CC<br>,CT-C<br>V | 1            |

# 71-11-56

 ILLUSTRATED PARTS LIST  
 01.1 Page 1084X  
 Nov 01/04

**BOEING**  
COMPONENT  
MAINTENANCE MANUAL

| FIG. & ITEM  | PART NO.   | AIRLINE PART NUMBER | NOMENCLATURE<br>1234567  | EFF CODE   | QTY PER ASSY |
|--------------|------------|---------------------|--|--|--------------|
| 13-<br>-105D | 315T4203-9 |                     | .FITTING-LWR<br>(OPT ITEM 105C)<br>(USED ON ITEMS 1E, 1F,<br>1G, 1H) | A-D,<br>J-N,V<br>,Y,Z,<br>AE,AF<br>,AJ,A<br>K<br>AN-AR<br>,AW,A<br>Y,BA,<br>BB,BE<br>,BF<br>BJ,BK<br>,BN,B<br>P,BS,<br>BT,BW<br>,BX<br>CA-CC<br>,CT-C<br>V | 1            |
| -105E        | 315T4203-7 |                     | .FITTING-LWR<br>(OPT ITEM 105F)                                      | DS,DT  | 1            |
| -105F        | 315T4203-9 |                     | .FITTING-LWR<br>(OPT ITEM 105E)                                      | DS,DT  | 1            |
| -110         | 315T4203-4 |                     | .FITTING-LWR<br>(LIMITED)<br>(USED ON ITEMS 5, 5A)                   | E,F,H<br>,Q,R,<br>T,U,W<br>,X,AA<br>,AC<br>AD,AG<br>,AH,A<br>L,AM,<br>AS-AV<br>,AX<br>AZ   | 1            |

71-11-56

ILLUSTRATED PARTS LIST  
01.1 Page 1084Y  
Nov 01/04

| FIG. & ITEM  | PART NO.   | AIRLINE PART NUMBER | NOMENCLATURE   | EFF CODE   | QTY PER ASSY |
|--------------|------------|---------------------|--|--|--------------|
| 13-<br>-110A | 315T4203-8 |                     | .FITTING-LWR<br>(LIMITED)<br>(USED ON ITEMS 5, 5A)                   | E,F,H<br>,Q,R,<br>T,U,W<br>,X,AA<br>,AC<br>AD,AG<br>,AH,A<br>L,AM,<br>AS-AV<br>,AX<br>AZ   | 1            |
| -110B        | 315T4203-8 |                     | .FITTING-LWR<br>(USED ON ITEM 5D)                                    | X,AD,<br>AX,AZ<br>,BC,B<br>D,BG,<br>BH,BL<br>BM,BQ<br>,BR,B<br>U,BV,<br>BY,BZ  | 1            |
| -110C        | 315T4203-8 |                     | .FITTING-LWR<br>(OPT ITEM 110D)<br>(USED ON ITEMS 5E, 5F,<br>5G, 5H) | E,F,H<br>,Q,R,<br>T,U,W<br>,X,AA<br>,AC<br>AD,AG<br>,AH,A<br>L,AM,<br>AS-AV<br>,AX<br>AZ,BC<br>,BD,B<br>G,BH,<br>BL,BM<br>,BQ<br>BR,BU<br>,BV,B<br>Y,BZ,<br>CH-CK<br>DA-DC | 1            |

# 71-11-56

 ILLUSTRATED PARTS LIST  
 01.1 Page 1084Z  
 Nov 01/04

 **BOEING**  
COMPONENT  
MAINTENANCE MANUAL

| FIG. & ITEM  | PART NO.    | AIRLINE PART NUMBER | NOMENCLATURE  | EFF CODE  | QTY PER ASSY |
|--------------|-------------|---------------------|---|---|--------------|
| 13-<br>-110D | 315T4203-10 |                     | 1234567<br>.FITTING-LWR<br>(OPT ITEM 110C)<br>(USED ON ITEMS 5E, 5F,<br>5G, 5H) | E,F,H<br>,Q,R,<br>T,U,W<br>,X,AA<br>,AC<br>AD,AG<br>,AH,A<br>L,AM,<br>AS-AV<br>,AX<br>AZ,BC<br>,BD,B<br>G,BH,<br>BL,BM<br>,BQ<br>BR,BU<br>,BV,B<br>Y,BZ,<br>CH-CK<br>DA-DC<br>DU,DV | 1            |
| -110E        | 315T4203-8  |                     | .FITTING-LWR<br>(OPT ITEM 110F)   | DU,DV   | 1            |
| -110F        | 315T4203-10 |                     | .FITTING-LWR<br>(OPT ITEM 110E)   | DU,DV   | 1            |
| 115          | 315T4216-3  |                     | .FITTING-UPR<br>(REPLD BY ITEM 115A)<br>(USED ON ITEMS 1, 1A)                   | A-D,<br>J-N,V<br>,Y,Z,<br>AE,AF<br>,AJ,A<br>K<br>AN-AR<br>,AW,A<br>Y  | 1            |

71-11-56

ILLUSTRATED PARTS LIST  
01.1 Page 1085  
Nov 01/04

| FIG. & ITEM  | PART NO.   | AIRLINE PART NUMBER | NOMENCLATURE  | EFF CODE   | QTY PER ASSY |
|--------------|------------|---------------------|---|--|--------------|
| 13-<br>-115A | 315T4216-5 |                     | .FITTING-UPR<br>(REPLS ITEM 115)<br>(USED ON ITEMS 1, 1A) | A-D,<br>J-N,V<br>,Y,Z,<br>AE,AF<br>,AJ,A<br>K<br>AN-AR<br>,AW,A<br>Y   | 1            |
| -115B        | 315T4216-5 |                     | .FITTING-UPR<br>(USED ON ITEMS 1D, 1E,<br>1F, 1G, 1H)     | A-D,<br>J-N,V<br>,Y,Z,<br>AE,AF<br>,AJ,A<br>K<br>AN-AR<br>,AW,A<br>Y,BA,<br>BB,BE<br>,BF<br>BJ,BK<br>,BN,B<br>P,BS,<br>BT,BW<br>,BX<br>CA-CC<br>,CT-C<br>V | 1            |
| -115C        | 315T4216-5 |                     | .FITTING-UPR  | DS,DT  | 1            |

# 71-11-56

 ILLUSTRATED PARTS LIST  
 01.1 Page 1086  
 Nov 01/04

 **BOEING**  
COMPONENT  
MAINTENANCE MANUAL

| FIG. & ITEM | PART NO.   | AIRLINE PART NUMBER | NOMENCLATURE  | EFF CODE  | QTY PER ASSY |
|-------------|------------|---------------------|---|---|--------------|
| 13-<br>-120 | 315T4216-4 |                     | .FITTING-UPR<br>(REPLD BY ITEM 120A)<br>(USED ON ITEMS 5, 5A) | E,F,H<br>,Q,R,<br>T,U,W<br>,X,AA<br>,AC<br>AD,AG<br>,AH,A<br>L,AM,<br>AS-AV<br>,AX<br>AZ  | 1            |
| -120A       | 315T4216-6 |                     | .FITTING-UPR<br>(REPLS ITEM 120)<br>(USED ON ITEMS 5, 5A)     | E,F,H<br>,Q,R,<br>T,U,W<br>,X,AA<br>,AC<br>AD,AG<br>,AH,A<br>L,AM,<br>AS-AV<br>,AX<br>AZ  | 1            |
| -120B       | 315T4216-6 |                     | .FITTING-UPR<br>(USED ON ITEMS 5D, 5E,<br>5F, 5G, 5H)         | E,F,H<br>,Q,R,<br>T,U,W<br>,X,AA<br>,AC<br>AD,AG<br>,AH,A<br>L,AM,<br>AS-AV<br>,AX<br>AZ,BC<br>,BD,B<br>G,BH,<br>BL,BM<br>,BQ<br>BR,BU<br>,BV,B<br>Y,BZ,<br>CH-CK<br>DA-DC<br>DU,DV | 1            |
| -120C       | 315T4216-6 |                     | .FITTING-UPR  |   | 1            |

71-11-56

ILLUSTRATED PARTS LIST  
01.1 Page 1086A  
Nov 01/04

| FIG. & ITEM | PART NO.    | AIRLINE PART NUMBER | NOMENCLATURE | EFF CODE   | QTY PER ASSY |
|-------------|-------------|---------------------|--------------|--|--------------|
| 13-125      | 315T3224-9  |                     | . SEGMENT    | A-D,<br>J-N,V<br>,Z,AE<br>,AF,A<br>J,AK<br>AN-AR<br>,AW,A<br>Y,BA,<br>BB,BE<br>,BF<br>BJ,BK<br>,BN,B<br>P,BS,<br>BT,BW<br>,BX<br>CA-CC<br>,CT-C<br>V,DS,<br>DT                           | 1            |
| -130        | 315T3224-10 |                     | . SEGMENT    | E,F,H<br>,Q,R,<br>T,U,W<br>,X,AA<br>,AC<br>AD,AG<br>,AH,A<br>L,AM,<br>AS-AV<br>,AX<br>AZ,BC<br>,BD,B<br>G,BH,<br>BL,BM<br>,BQ<br>BR,BU<br>,BV,B<br>Y,BZ,<br>CH-CK<br>DA-DC<br>,DU,D<br>V | 1            |

# 71-11-56

 ILLUSTRATED PARTS LIST  
 01.1 Page 1086B  
 Nov 01/04

| FIG. & ITEM | PART NO.   | AIRLINE PART NUMBER | NOMENCLATURE | EFF CODE  | QTY PER ASSY |
|-------------|------------|---------------------|--------------|---|--------------|
| 13-135      | 315T3223-5 |                     | .RING        | A-F,<br>H-N,Q<br>,R,<br>T-AA,<br>AC-CC<br>CH-CK<br>,CT-C<br>V,D<br>A-DC,<br>DS-DV | 1            |

- Item Not Illustrated

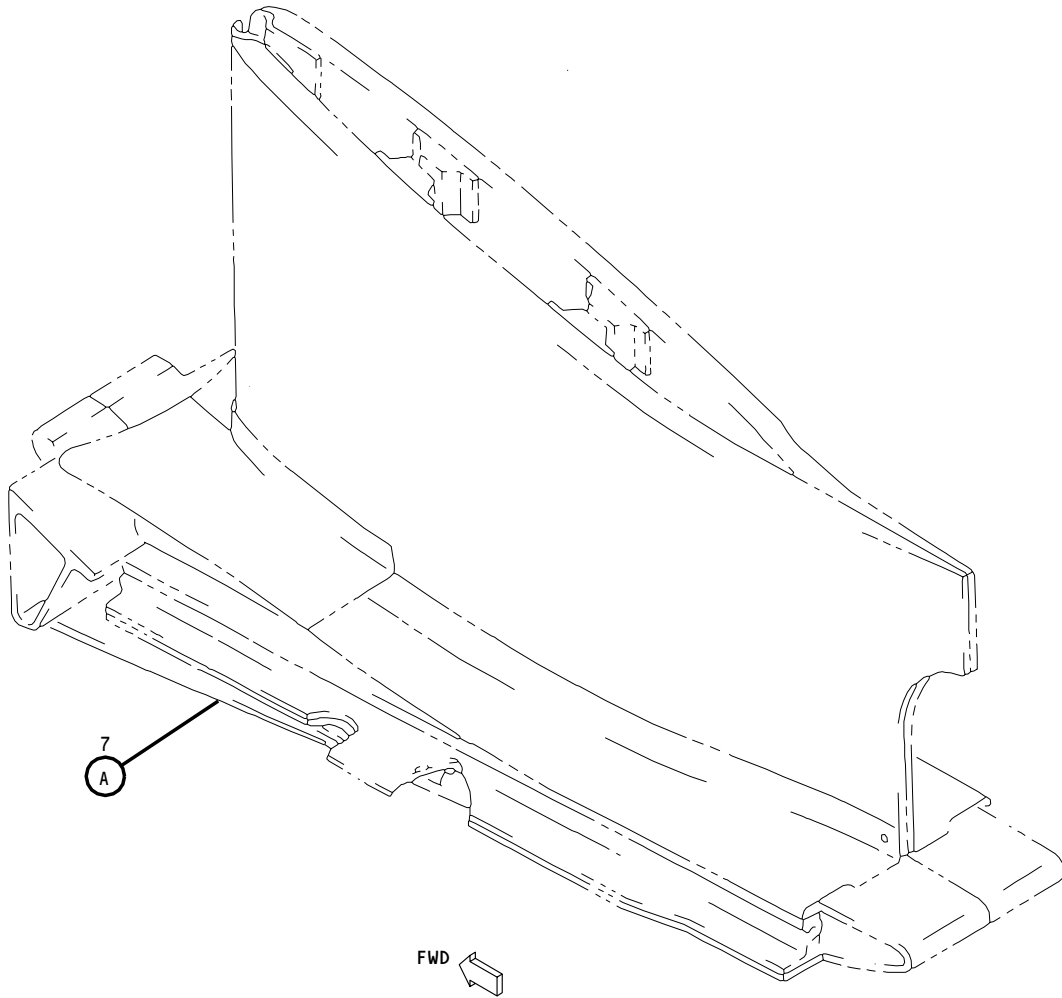
**71-11-56**

ILLUSTRATED PARTS LIST

01.1 Page 1086C

Nov 01/04

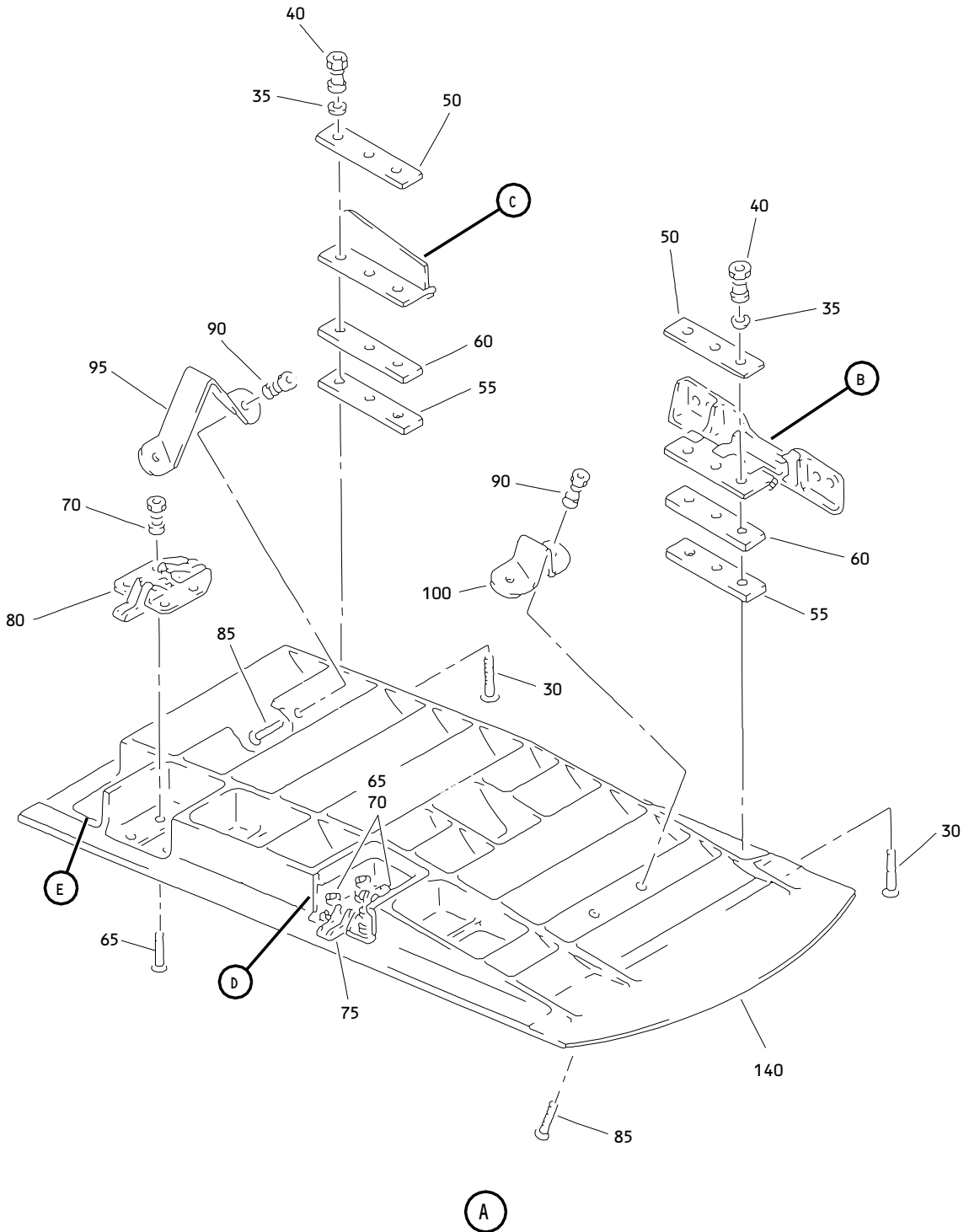




Exhaust Door Assembly  
Figure 14 (Sheet 1)

**71-11-56**

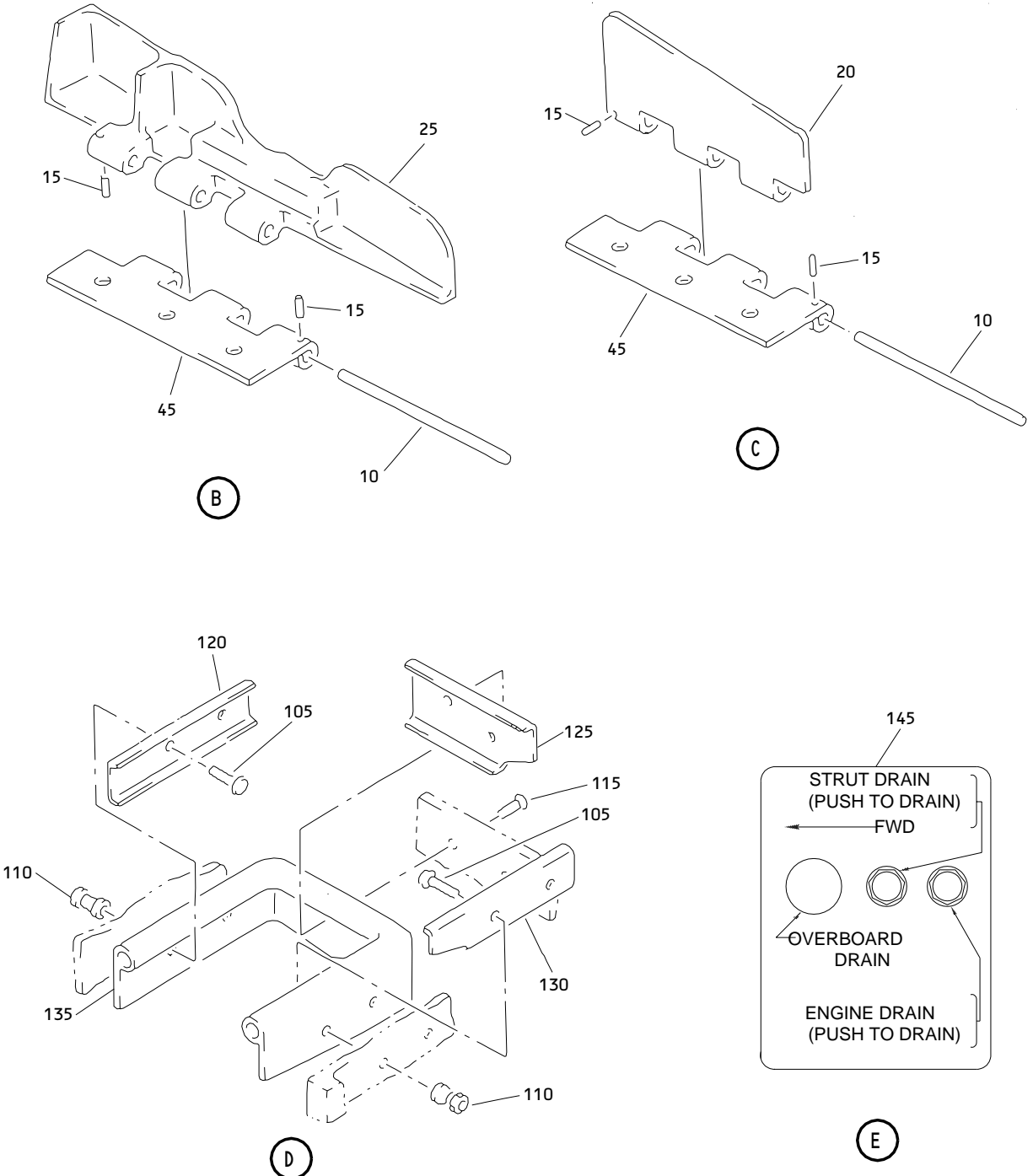
ILLUSTRATED PARTS LIST  
01.1 Page 1086D  
Nov 01/04



Exhaust Door Assembly  
Figure 14 (Sheet 2)

**71-11-56**

ILLUSTRATED PARTS LIST  
01.1 Page 1086E  
Nov 01/04



Exhaust Door Assembly  
 Figure 14 (Sheet 3)

**71-11-56**

ILLUSTRATED PARTS LIST  
 01.1 Page 1086F  
 Nov 01/04

29867



**BOEING**  
COMPONENT  
MAINTENANCE MANUAL

| FIG. & ITEM | PART NO.    | AIRLINE PART NUMBER | NOMENCLATURE<br>1234567  | EFF CODE  | QTY PER ASSY |
|-------------|-------------|---------------------|--|---|--------------|
| 14-<br>-1   | 315T3416-36 |                     | DOOR ASSY-EXH<br>(LIMITED)                                     | F,H,Q<br>,R,T,<br>U,W,X<br>,AA,A<br>C,AD<br>AG,AH<br>,AL,A<br>M,A<br>S-AV,<br>AX,AZ<br>BC,BD<br>,BG,B<br>H,BL,<br>BM,BQ<br>,BR<br>BU,BV<br>,BY,B<br>Z | 1            |
| -1A         | 315T3416-50 |                     | DOOR ASSY-EXH<br>(NHA 315T4295, REF<br>COLLECTOR CMM 78-31-47) | DU  | 1            |
| -1B         | 315T3416-52 |                     | DOOR ASSY-EXH<br>(NHA 315T4295, REF<br>COLLECTOR CMM 78-31-47) | DU  | 1            |
| -1C         | 315T3416-54 |                     | DOOR ASSY-EXH<br>(NHA 315U4295, REF<br>COLLECTOR CMM 78-31-48) | DV  | 1            |
| -1D         | 315T3416-56 |                     | DOOR ASSY-EXH<br>(NHA 315U4295, REF<br>COLLECTOR CMM 78-31-48) | DV  | 1            |
| -1E         | 315T3416-58 |                     | DOOR ASSY-EXH<br>(NHA 315U4295, REF<br>COLLECTOR CMM 78-31-48) | DV  | 1            |
| -1F         | 315T3416-60 |                     | DOOR ASSY-EXH<br>(NHA 315U4295, REF<br>COLLECTOR CMM 78-31-48) | DV  | 1            |
| -1G         | 315T3416-64 |                     | DOOR ASSY-EXH<br>(NHA 315T4295, REF<br>COLLECTOR CMM 78-31-47) | DU  | 1            |
| -1H         | 315T3416-66 |                     | DOOR ASSY-EXH<br>(NHA 315T4295, REF<br>COLLECTOR CMM 78-31-47) | DU  | 1            |
| -1J         | 315T3416-68 |                     | DOOR ASSY-EXH<br>(NHA 315U4295, REF<br>COLLECTOR CMM 78-31-48) | DV  | 1            |

**71-11-56**

ILLUSTRATED PARTS LIST  
01.1 Page 1086G  
Nov 01/04

| FIG. & ITEM | PART NO.      | AIRLINE PART NUMBER | NOMENCLATURE<br>1234567  | EFF CODE   | QTY PER ASSY |
|-------------|---------------|---------------------|--|--|--------------|
| 14-<br>-1K  | 315T3416-70   |                     | DOOR ASSY-EXH<br>(NHA 315U4295, REF<br>COLLECTOR CMM 78-31-48) | DV   | 1            |
| -1L         | 315T3416-72   |                     | DOOR ASSY-EXH<br>(NHA 315U4295, REF<br>COLLECTOR CMM 78-31-48) | DV   | 1            |
| -1M         | 315T3416-74   |                     | DOOR ASSY-EXH<br>(NHA 315U4295, REF<br>COLLECTOR CMM 78-31-48) | DV   | 1            |
| -5          | 315T3416-5001 |                     | .COLLECTOR-LIMITED PART  | F, H, Q<br>, R, T,<br>U, W, X<br>, AA, A<br>C, AD<br>AG, AH<br>, AL, A<br>M, A<br>S-AV,<br>AX, AZ<br>BC, BD<br>, BG, B<br>H, BL,<br>BM, BQ<br>, BR<br>BU, BV<br>, BY, B<br>Z | 1            |
| -5A         | 315T3416-5002 |                     | .COLLECTOR-LIMITED PART  | F, H, Q<br>, R, T,<br>U, W, X<br>, AA, A<br>C, AD<br>AG, AH<br>, AL, A<br>M, A<br>S-AV,<br>AX, AZ<br>BC, BD<br>, BG, B<br>H, BL,<br>BM, BQ<br>, BR<br>BU, BV<br>, BY, B<br>Z | 1            |

# 71-11-56

 ILLUSTRATED PARTS LIST  
 01.1 Page 1086H  
 Nov 01/04

**BOEING**  
COMPONENT  
MAINTENANCE MANUAL

| FIG. & ITEM | PART NO.      | AIRLINE PART NUMBER | NOMENCLATURE<br>1234567                                  | EFF CODE  | QTY PER ASSY |
|-------------|---------------|---------------------|--|---|--------------|
| 14-<br>-5B  | 315T3416-5003 |                     | .COLLECTOR-LIMITED PART                                  | F,H,Q<br>,R,T,<br>U,W,X<br>,AA,A<br>C,AD<br>AG,AH<br>,AL,A<br>M,A<br>S-AV,<br>AX,AZ<br>BC,BD<br>,BG,B<br>H,BL,<br>BM,BQ<br>,BR<br>BU,BV<br>,BY,B<br>Z<br>DU,DV  | 1            |
| 7           | 315T3416-42   |                     | .DOOR ASSY-<br>(USED ON ITEMS 1A, 1B,<br>1C, 1D, 1E, 1F) | DU,DV   | 1            |
| -7A         | 315T3416-63   |                     | .DOOR ASSY-<br>(USED ON ITEMS 1G, 1H,<br>1J, 1K, 1L, 1M) | DU,DV   | 1            |
| 10          | MS20253P4-270 |                     | ..PIN-HINGE  | F,H,Q<br>,R,T,<br>U,W,X<br>,AA,A<br>C,AD<br>AG,AH<br>,AL,A<br>M,A<br>S-AV,<br>AX,AZ<br>BC,BD<br>,BG,B<br>H,BL,<br>BM,BQ<br>,BR<br>BU,BV<br>,BY,B<br>Z,DU,<br>DV | 2            |

71-11-56

ILLUSTRATED PARTS LIST  
01.1 Page 1086I  
Nov 01/04

| FIG. & ITEM | PART NO.   | AIRLINE PART NUMBER | NOMENCLATURE<br>1234567 | EFF CODE  | QTY PER ASSY |
|-------------|------------|---------------------|-------------------------|---|--------------|
| 14-15       | MS16562-3  |                     | ..PIN-SPR               | F,H,Q<br>,R,T,<br>U,W,X<br>,AA,A<br>C,AD<br>AG,AH<br>,AL,A<br>M,A<br>S-AV,<br>AX,AZ<br>BC,BD<br>,BG,B<br>H,BL,<br>BM,BQ<br>,BR<br>BU,BV<br>,BY,B<br>Z | 4            |
| 20          | 315T3569-3 |                     | ..FITTING               | F,H,Q<br>,R,T,<br>U,W,X<br>,AA,A<br>C,AD<br>AG,AH<br>,AL,A<br>M,A<br>S-AV,<br>AX,AZ<br>BC,BD<br>,BG,B<br>H,BL,<br>BM,BQ<br>,BR<br>BU,BV<br>,BY,B<br>Z | 1            |

# 71-11-56

 ILLUSTRATED PARTS LIST  
 01.1 Page 1086J  
 Nov 01/04

| FIG. & ITEM | PART NO.   | AIRLINE PART NUMBER | NOMENCLATURE<br>1234567  | EFF CODE  | QTY PER ASSY |
|-------------|------------|---------------------|--|---|--------------|
| 14-25       | 315T3569-4 |                     | ..FITTING  | F,H,Q<br>,R,T,<br>U,W,X<br>,AA,A<br>C,AD<br>AG,AH<br>,AL,A<br>M,A<br>S-AV,<br>AX,AZ<br>BC,BD<br>,BG,B<br>H,BL,<br>BM,BQ<br>,BR<br>BU,BV<br>,BY,B<br>Z | 1            |
| 30          | HL13VAZ6-7 |                     | ..BOLT-<br>(V56878)<br>(SPEC BACB30NY6K7)<br>(OPT HL13VAZ6-7<br>(V73197))<br>(OPT HL13VAZ6-7<br>(V92215))<br>(OPT HL13VAZ6-7<br>(V97928))<br>(OPT L801-6K7<br>(V06725))<br>(OPT HL13VAZ6-7<br>(V08524))<br>(OPT HL13V7<br>(V06725))<br>(OPT L801-6K7<br>(V0PTK6))<br>(LIMITED) | F,H,Q<br>,R,T,<br>U,W,X<br>,AA,A<br>C,AD<br>AG,AH<br>,AL,A<br>M,A<br>S-AV,<br>AX,AZ<br>BC,BD<br>,BG,B<br>H,BL,<br>BM,BQ<br>,BR<br>BU,BV<br>,BY,B<br>Z | 6            |

**71-11-56**

ILLUSTRATED PARTS LIST  
01.1 Page 1086K  
Nov 01/04



| FIG. & ITEM | PART NO.                | AIRLINE PART NUMBER | NOMENCLATURE<br>1234567          | EFF CODE   | QTY PER ASSY |
|-------------|-------------------------|---------------------|----------------------------------|--|--------------|
| 14-<br>-30A | BACB30VF3K5             |                     | ..BOLT-<br>(LIMITED)             | F,H,Q<br>,R,T,<br>U,W,X<br>,AA,A<br>C,AD<br>AG,AH<br>,AL,A<br>M,A<br>S-AV,<br>AX,AZ<br>BC,BD<br>,BG,B<br>H,BL,<br>BM,BQ<br>,BR<br>BU,BV<br>,BY,B<br>Z          | 6            |
| -30B<br>35  | BACB30VF3K5<br>AN960-10 |                     | ..BOLT<br>..WASHER-<br>(LIMITED) | DU,DV<br>F,H,Q<br>,R,T,<br>U,W,X<br>,AA,A<br>C,AD<br>AG,AH<br>,AL,A<br>M,A<br>S-AV,<br>AX,AZ<br>BC,BD<br>,BG,B<br>H,BL,<br>BM,BQ<br>,BR<br>BU,BV<br>,BY,B<br>Z | 6<br>6       |

# 71-11-56

 ILLUSTRATED PARTS LIST  
 01.1 Page 1086L  
 Nov 01/04

 **BOEING**  
COMPONENT  
MAINTENANCE MANUAL

| FIG. & ITEM | PART NO.  | AIRLINE PART NUMBER | NOMENCLATURE<br>1234567  | EFF CODE  | QTY PER ASSY |
|-------------|-----------|---------------------|--|---|--------------|
| 14-40       | HL1187DU6 |                     | ..COLLAR-<br>(V5M902)<br>(SPEC BACC30X6S)<br>(OPT HL87DU6<br>(V73197))<br>(OPT HL87DU6<br>(V92215))<br>(OPT HL1187DU6<br>(V56878))<br>(OPT HL1187DU6<br>(V92215))<br>(OPT HL87DU6<br>(V56878))<br>(OPT HL1187DU6<br>(V73197))<br>(LIMITED) | F,H,Q<br>,R,T,<br>U,W,X<br>,AA,A<br>C,AD<br>AG,AH<br>,AL,A<br>M,A<br>S-AV,<br>AX,AZ<br>BC,BD<br>,BG,B<br>H,BL,<br>BM,BQ<br>,BR<br>BU,BV<br>,BY,B<br>Z | 6            |
| -40A        | NAS1804-3 |                     | ..NUT-<br>(LIMITED)  | F,H,Q<br>,R,T,<br>U,W,X<br>,AA,A<br>C,AD<br>AG,AH<br>,AL,A<br>M,A<br>S-AV,<br>AX,AZ<br>BC,BD<br>,BG,B<br>H,BL,<br>BM,BQ<br>,BR<br>BU,BV<br>,BY,B<br>Z | 6            |
| -40B        | NAS1804-3 |                     | ..NUT  | DU,DV   | 6            |

71-11-56

ILLUSTRATED PARTS LIST  
01.1 Page 1086M  
Nov 01/04

| FIG. & ITEM | PART NO.    | AIRLINE PART NUMBER | NOMENCLATURE<br>1234567 | EFF CODE  | QTY PER ASSY |
|-------------|-------------|---------------------|-------------------------|---|--------------|
| 14-45       | 315T3416-11 |                     | ..HINGE-HALF            | F,H,Q<br>,R,T,<br>U,W,X<br>,AA,A<br>C,AD<br>AG,AH<br>,AL,A<br>M,A<br>S-AV,<br>AX,AZ<br>BC,BD<br>,BG,B<br>H,BL,<br>BM,BQ<br>,BR<br>BU,BV<br>,BY,B<br>Z,DU,<br>DV | 2            |
| 50          | 315T3416-6  |                     | ..DOUBLER               | F,H,Q<br>,R,T,<br>U,W,X<br>,AA,A<br>C,AD<br>AG,AH<br>,AL,A<br>M,A<br>S-AV,<br>AX,AZ<br>BC,BD<br>,BG,B<br>H,BL,<br>BM,BQ<br>,BR<br>BU,BV<br>,BY,B<br>Z,DU,<br>DV | 2            |

# 71-11-56

 ILLUSTRATED PARTS LIST  
 01.1 Page 1086N  
 Nov 01/04

 **BOEING**  
COMPONENT  
MAINTENANCE MANUAL

| FIG. & ITEM | PART NO.    | AIRLINE PART NUMBER | NOMENCLATURE<br>1234567            | EFF CODE  | QTY PER ASSY |
|-------------|-------------|---------------------|------------------------------------|---|--------------|
| 14-55       | 315T3416-18 |                     | ..FILLER-<br>(USED ON ITEMS 5, 5B) | F,H,Q<br>,R,T,<br>U,W,X<br>,AA,A<br>C,AD<br>AG,AH<br>,AL,A<br>M,A<br>S-AV,<br>AX,AZ<br>BC,BD<br>,BG,B<br>H,BL,<br>BM,BQ<br>,BR<br>BU,BV<br>,BY,B<br>Z | 2            |
| -55A        | 315T3416-39 |                     | ..FILLER-<br>(USED ON ITEM 5A)     | F,H,Q<br>,R,T,<br>U,W,X<br>,AA,A<br>C,AD<br>AG,AH<br>,AL,A<br>M,A<br>S-AV,<br>AX,AZ<br>BC,BD<br>,BG,B<br>H,BL,<br>BM,BQ<br>,BR<br>BU,BV<br>,BY,B<br>Z | 2            |
| -55B        | 315T3416-39 |                     | ..FILLER                           | Z<br>DU,DV  | 2            |

**71-11-56**

ILLUSTRATED PARTS LIST  
01.1 Page 10860  
Nov 01/04

| FIG. & ITEM | PART NO.        | AIRLINE PART NUMBER | NOMENCLATURE<br>1234567   | EFF CODE  | QTY PER ASSY |
|-------------|-----------------|---------------------|---|---|--------------|
| 14-60       | BACS40R008D030F |                     | ..SHIM  | F,H,Q<br>,R,T,<br>U,W,X<br>,AA,A<br>C,AD<br>AG,AH<br>,AL,A<br>M,A<br>S-AV,<br>AX,AZ<br>BC,BD<br>,BG,B<br>H,BL,<br>BM,BQ<br>,BR<br>BU,BV<br>,BY,B<br>Z,DU,<br>DV | AR           |
| 65          | HL13VAZ5-4      |                     | ..BOLT-<br>(V56878)<br>(SPEC BACB30NY5K4)<br>(OPT HL13VAZ5-4<br>(V73197))<br>(OPT HL13VAZ5-4<br>(V92215))<br>(OPT HL13VAZ5-4<br>(V97928))<br>(OPT L801-5K4<br>(V06725))<br>(OPT HL13VAZ5-4<br>(V08524))<br>(OPT HL13V4<br>(V06725))<br>(OPT HL13VAZ5-4<br>(V17446)) | F,H,Q<br>,R,T,<br>U,W,X<br>,AA,A<br>C,AD<br>AG,AH<br>,AL,A<br>M,A<br>S-AV,<br>AX,AZ<br>BC,BD<br>,BG,B<br>H,BL,<br>BM,BQ<br>,BR<br>BU,BV<br>,BY,B<br>Z,DU,<br>DV | 8            |

# 71-11-56

 ILLUSTRATED PARTS LIST  
 01.1 Page 1086P  
 Nov 01/04

**BOEING**  
COMPONENT  
MAINTENANCE MANUAL

| FIG. & ITEM | PART NO.      | AIRLINE PART NUMBER | NOMENCLATURE<br>1234567  | EFF CODE  | QTY PER ASSY |
|-------------|---------------|---------------------|--|---|--------------|
| 14-70       | HL1187DU5     |                     | ..COLLAR-<br>(V5M902)<br>(SPEC BACC30X5S)<br>(OPT HL87DU5<br>(V73197))<br>(OPT HL87DU5<br>(V92215))<br>(OPT HL86DU5<br>(V73197))<br>(OPT HL86DU5<br>(V56878))<br>(OPT HL86DU5<br>(V92215))<br>(OPT HL1187DU5<br>(V56878))<br>(OPT HL1187DU5<br>(V92215))<br>(OPT HL87DU5<br>(V56878))<br>(OPT HL1187DU5<br>(V73197)) | F,H,Q<br>,R,T,<br>U,W,X<br>,AA,A<br>C,AD<br>AG,AH<br>,AL,A<br>M,A<br>S-AV,<br>AX,AZ<br>BC,BD<br>,BG,B<br>H,BL,<br>BM,BQ<br>,BR<br>BU,BV<br>,BY,B<br>Z,DU,<br>DV | 8            |
| 75          | H5100-125-330 |                     | ..LATCH-<br>(V83014)<br>(SPEC BA CL10E125-330)<br>(OPT H5100-2-125-330<br>(V83014))  | F,H,Q<br>,R,T,<br>U,W,X<br>,AA,A<br>C,AD<br>AG,AH<br>,AL,A<br>M,A<br>S-AV,<br>AX,AZ<br>BC,BD<br>,BG,B<br>H,BL,<br>BM,BQ<br>,BR<br>BU,BV<br>,BY,B<br>Z           | 1            |
| -75A        | 315T3416-44   |                     | ..LATCH  | DU,DV   | 1            |

71-11-56

ILLUSTRATED PARTS LIST  
01.1 Page 1086Q  
Nov 01/04

| FIG. & ITEM | PART NO.    | AIRLINE PART NUMBER | NOMENCLATURE       | EFF CODE  | QTY PER ASSY |
|-------------|-------------|---------------------|--------------------|---|--------------|
| 14-80       | 315T3416-37 |                     | 1234567<br>..LATCH | F,H,Q<br>,R,T,<br>U,W,X<br>,AA,A<br>C,AD<br>AG,AH<br>,AL,A<br>M,A<br>S-AV,<br>AX,AZ<br>BC,BD<br>,BG,B<br>H,BL,<br>BM,BQ<br>,BR<br>BU,BV<br>,BY,B<br>Z | 1            |
| -80A        | 315T3416-43 |                     | ..LATCH            | DU,DV   | 1            |

# 71-11-56

 ILLUSTRATED PARTS LIST  
 01.1 Page 1086R  
 Nov 01/04

 **BOEING**  
COMPONENT  
MAINTENANCE MANUAL

| FIG. & ITEM | PART NO.    | AIRLINE PART NUMBER | NOMENCLATURE<br>1234567  | EFF CODE  | QTY PER ASSY |
|-------------|-------------|---------------------|--|---|--------------|
| 14-85       | HL1012AZ5-3 |                     | ..BOLT-<br>(V97928)<br>(SPEC BACB30NX5K3)<br>(OPT HL12VAZ5-3<br>(V73197))<br>(OPT HL12VAZ5-3<br>(V92215))<br>(OPT HL12VAZ5-3<br>(V97928))<br>(OPT L802-5K3<br>(V06725))<br>(OPT HL12VAZ5-3<br>(V56878))<br>(OPT HL1012AZ5-3<br>(V0PTK6))<br>(OPT HL1012AZ5-3<br>(V06725))<br>(OPT HL1012AZ5-3<br>(V06950))<br>(OPT HL1012AZ5-3<br>(V17446))<br>(OPT HL1012AZ5-3<br>(V56878))<br>(OPT HL1012AZ5-3<br>(V60516))<br>(OPT HL1012AZ5-3<br>(V73197)) | F,H,Q<br>,R,T,<br>U,W,X<br>,AA,A<br>C,AD<br>AG,AH<br>,AL,A<br>M,A<br>S-AV,<br>AX,AZ<br>BC,BD<br>,BG,B<br>H,BL,<br>BM,BQ<br>,BR<br>BU,BV<br>,BY,B<br>Z,DU,<br>DV | 4            |

**71-11-56**

ILLUSTRATED PARTS LIST  
01.1 Page 1086S  
Nov 01/04



| FIG. & ITEM | PART NO.    | AIRLINE PART NUMBER | NOMENCLATURE<br>1234567  | EFF CODE  | QTY PER ASSY |
|-------------|-------------|---------------------|--|---|--------------|
| 14-90       | HL1187DU5   |                     | ..COLLAR-<br>(V5M902)<br>(SPEC BACC30X5S)<br>(OPT HL87DU5<br>(V73197))<br>(OPT HL87DU5<br>(V92215))<br>(OPT HL86DU5<br>(V73197))<br>(OPT HL86DU5<br>(V56878))<br>(OPT HL86DU5<br>(V92215))<br>(OPT HL1187DU5<br>(V56878))<br>(OPT HL1187DU5<br>(V92215))<br>(OPT HL87DU5<br>(V56878))<br>(OPT HL1187DU5<br>(V73197)) | F,H,Q<br>,R,T,<br>U,W,X<br>,AA,A<br>C,AD<br>AG,AH<br>,AL,A<br>M,A<br>S-AV,<br>AX,AZ<br>BC,BD<br>,BG,B<br>H,BL,<br>BM,BQ<br>,BR<br>BU,BV<br>,BY,B<br>Z,DU,<br>DV | 4            |
| 95          | 315T3416-33 |                     | ..BRACKET  | F,H,Q<br>,R,T,<br>U,W,X<br>,AA,A<br>C,AD<br>AG,AH<br>,AL,A<br>M,A<br>S-AV,<br>AX,AZ<br>BC,BD<br>,BG,B<br>H,BL,<br>BM,BQ<br>,BR<br>BU,BV<br>,BY,B<br>Z,DU,<br>DV | 1            |

# 71-11-56

 ILLUSTRATED PARTS LIST  
 01.1 Page 1086T  
 Nov 01/04

**BOEING**  
COMPONENT  
MAINTENANCE MANUAL

| FIG. & ITEM | PART NO.    | AIRLINE PART NUMBER | NOMENCLATURE         | EFF CODE  | QTY PER ASSY |
|-------------|-------------|---------------------|----------------------|---|--------------|
| 14-100      | 315T3416-35 |                     | 1234567<br>..BRACKET | F,H,Q<br>,R,T,<br>U,W,X<br>,AA,A<br>C,AD<br>AG,AH<br>,AL,A<br>M,A<br>S-AV,<br>AX,AZ<br>BC,BD<br>,BG,B<br>H,BL,<br>BM,BQ<br>,BR<br>BU,BV<br>,BY,B<br>Z,DU,<br>DV | 1            |
| 105         | BACB30MY5K5 |                     | ..BOLT               | F,H,Q<br>,R,T,<br>U,W,X<br>,AA,A<br>C,AD<br>AG,AH<br>,AL,A<br>M,A<br>S-AV,<br>AX,AZ<br>BC,BD<br>,BG,B<br>H,BL,<br>BM,BQ<br>,BR<br>BU,BV<br>,BY,B<br>Z,DU,<br>DV | 4            |

71-11-56

ILLUSTRATED PARTS LIST

01.1 Page 1086U

Nov 01/04

| FIG. & ITEM | PART NO.    | AIRLINE PART NUMBER | NOMENCLATURE   | EFF CODE  | QTY PER ASSY |
|-------------|-------------|---------------------|--|---|--------------|
| 14-110      | HL70-5      |                     | 1234567<br>..COLLAR-<br>(V5M902)<br>(SPEC BACC30M5)<br>(OPT HL70-5<br>(V73197))<br>(OPT HL70-5<br>(V92215))<br>(OPT 66014-5<br>(V56878))<br>(OPT HL70-5<br>(V56878)) | F,H,Q<br>,R,T,<br>U,W,X<br>,AA,A<br>C,AD<br>AG,AH<br>,AL,A<br>M,A<br>S-AV,<br>AX,AZ<br>BC,BD<br>,BG,B<br>H,BL,<br>BM,BQ<br>,BR<br>BU,BV<br>,BY,B<br>Z,DU,<br>DV | 4            |
| 115         | BACR15BA5D5 |                     | ..RIVET  | F,H,Q<br>,R,T,<br>U,W,X<br>,AA,A<br>C,AD<br>AG,AH<br>,AL,A<br>M,A<br>S-AV,<br>AX,AZ<br>BC,BD<br>,BG,B<br>H,BL,<br>BM,BQ<br>,BR<br>BU,BV<br>,BY,B<br>Z,DU,<br>DV | 2            |

# 71-11-56

 ILLUSTRATED PARTS LIST  
 01.1 Page 1086V  
 Nov 01/04

| FIG. & ITEM | PART NO.    | AIRLINE PART NUMBER | NOMENCLATURE         | EFF CODE  | QTY PER ASSY |
|-------------|-------------|---------------------|----------------------|---|--------------|
| 14-120      | 315T3416-24 |                     | 1234567<br>..CHANNEL | F,H,Q<br>,R,T,<br>U,W,X<br>,AA,A<br>C,AD<br>AG,AH<br>,AL,A<br>M,A<br>S-AV,<br>AX,AZ<br>BC,BD<br>,BG,B<br>H,BL,<br>BM,BQ<br>,BR<br>BU,BV<br>,BY,B<br>Z,DU,<br>DV | 1            |
| 125         | 315T3416-26 |                     | ..CHANNEL            | F,H,Q<br>,R,T,<br>U,W,X<br>,AA,A<br>C,AD<br>AG,AH<br>,AL,A<br>M,A<br>S-AV,<br>AX,AZ<br>BC,BD<br>,BG,B<br>H,BL,<br>BM,BQ<br>,BR<br>BU,BV<br>,BY,B<br>Z,DU,<br>DV | 1            |

**71-11-56**

ILLUSTRATED PARTS LIST  
01.1 Page 1086W  
Nov 01/04

| FIG. & ITEM | PART NO.    | AIRLINE PART NUMBER | NOMENCLATURE<br>1234567                       | EFF CODE  | QTY PER ASSY |
|-------------|-------------|---------------------|---|---|--------------|
| 14-130      | 315T3416-25 |                     | ..CHANNEL                                     | F,H,Q<br>,R,T,<br>U,W,X<br>,AA,A<br>C,AD<br>AG,AH<br>,AL,A<br>M,A<br>S-AV,<br>AX,AZ<br>BC,BD<br>,BG,B<br>H,BL,<br>BM,BQ<br>,BR<br>BU,BV<br>,BY,B<br>Z,DU,<br>DV | 1            |
| R 135       | 8425-67     |                     | ..SEAL-FIRE<br>(V11960)<br>(SPEC S315T107-67) | F,H,Q<br>,R,T,<br>U,W,X<br>,AA,A<br>C,AD<br>AG,AH<br>,AL,A<br>M,A<br>S-AV,<br>AX,AZ<br>BC,BD<br>,BG,B<br>H,BL,<br>BM,BQ<br>,BR<br>BU,BV<br>,BY,B<br>Z,DU,<br>DV | 1            |

# 71-11-56

 ILLUSTRATED PARTS LIST  
 01.1 Page 1086X  
 Nov 01/04

 **BOEING**  
COMPONENT  
MAINTENANCE MANUAL

| FIG. & ITEM | PART NO.    | AIRLINE PART NUMBER | NOMENCLATURE<br>1234567           | EFF CODE  | QTY PER ASSY |
|-------------|-------------|---------------------|-----------------------------------|---|--------------|
| 14-140      | 315T3416-28 |                     | ..DOOR-<br>(USED ON ITEM 5)       | F,H,Q<br>,R,T,<br>U,W,X<br>,AA,A<br>C,AD<br>AG,AH<br>,AL,A<br>M,A<br>S-AV,<br>AX,AZ<br>BC,BD<br>,BG,B<br>H,BL,<br>BM,BQ<br>,BR<br>BU,BV<br>,BY,B<br>Z | 1            |
| -140A       | 315T3416-41 |                     | ..DOOR-<br>(USED ON ITEMS 5A, 5B) | F,H,Q<br>,R,T,<br>U,W,X<br>,AA,A<br>C,AD<br>AG,AH<br>,AL,A<br>M,A<br>S-AV,<br>AX,AZ<br>BC,BD<br>,BG,B<br>H,BL,<br>BM,BQ<br>,BR<br>BU,BV<br>,BY,B<br>Z | 1            |
| -140B       | 315T3416-41 |                     | ..DOOR-<br>(USED ON ITEM 7)       | DU,DV   | 1            |
| -140C       | 315T3416-62 |                     | ..DOOR-<br>(USED ON ITEM 7A)      | DU,DV   | 1            |

**71-11-56**

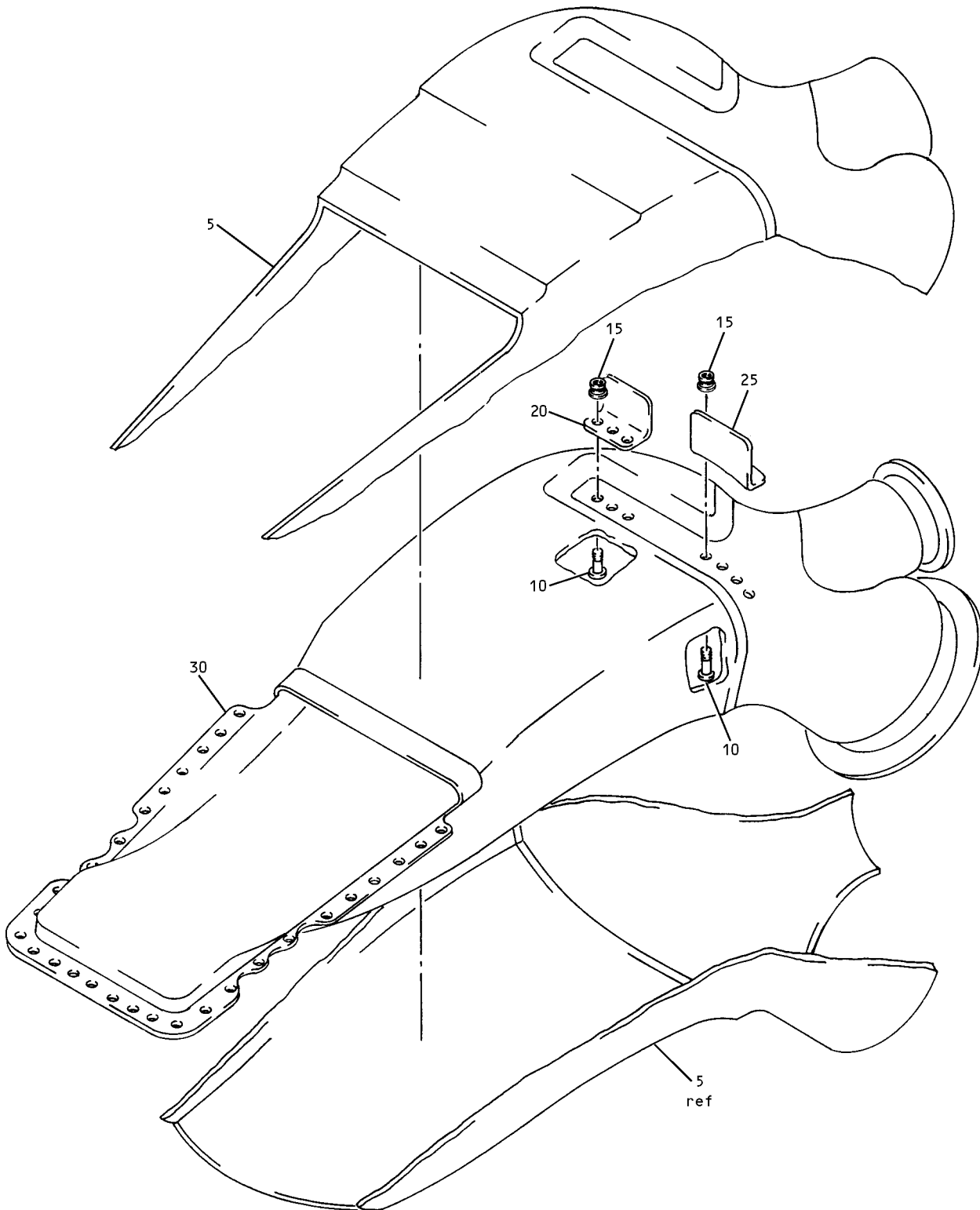
ILLUSTRATED PARTS LIST  
01.1 Page 1086Y  
Nov 01/04

| FIG. & ITEM | PART NO.       | AIRLINE PART NUMBER | NOMENCLATURE                      | EFF CODE  | QTY PER ASSY |
|-------------|----------------|---------------------|-----------------------------------|---|--------------|
| 14-145      | BAC27EPPS10048 |                     | 1234567<br>..MARKER-ALUMINUM FOIL | F,H,Q<br>,R,T,<br>U,W,X<br>,AA,A<br>C,AD<br>AG,AH<br>,AL,A<br>M,A<br>S-AV,<br>AX,AZ<br>BC,BD<br>,BG,B<br>H,BL,<br>BM,BQ<br>,BR<br>BU,BV<br>,BY,B<br>Z | 1            |

- Item Not Illustrated

**71-11-56**

ILLUSTRATED PARTS LIST  
 01.1 Page 1086Z  
 Nov 01/04



Inlet Duct Assembly  
Figure 15

**71-11-56**

ILLUSTRATED PARTS LIST  
01.1 Page 1088  
Nov 01/04



 **BOEING**  
COMPONENT  
MAINTENANCE MANUAL

| FIG. & ITEM | PART NO.    | AIRLINE PART NUMBER | NOMENCLATURE<br>1234567   | EFF CODE  | QTY PER ASSY |
|-------------|-------------|---------------------|---|---|--------------|
| 15-<br>-1A  | 315T3125-54 |                     | DUCT ASSY-INLET   | X,AD,<br>BC,BD<br>,BG,B<br>H,BL,<br>BM,BQ<br>BR,BU<br>,BV,B<br>Y,BZ,<br>DU,DV | RF           |
| 5           | 315T3125-56 |                     | .BLANKET ASSY   | X,AD,<br>BC,BD<br>,BG,B<br>H,BL,<br>BM,BQ<br>BR,BU<br>,BV,B<br>Y,BZ,<br>DU,DV | 1            |
| 10          | HL1012AZ5-2 |                     | .BOLT-<br>(V97928)<br>(SPEC BACB30NX5K2)<br>(OPT HL12VAZ5-2<br>(V73197))<br>(OPT HL12VAZ5-2<br>(V92215))<br>(OPT HL12VAZ5-2<br>(V97928))<br>(OPT L802-5K2<br>(V06725))<br>(OPT HL12VAZ5-2<br>(V56878))<br>(OPT HL1012AZ5-2<br>(V0PTK6))<br>(OPT HL1012AZ5-2<br>(V06725))<br>(OPT HL1012AZ5-2<br>(V06950))<br>(OPT HL1012AZ5-2<br>(V17446))<br>(OPT HL1012AZ5-2<br>(V56878))<br>(OPT HL1012AZ5-2<br>(V60516))<br>(OPT HL1012AZ5-2<br>(V73197)) | X,AD,<br>BC,BD<br>,BG,B<br>H,BL,<br>BM,BQ<br>BR,BU<br>,BV,B<br>Y,BZ,<br>DU,DV | 7            |

**71-11-56**

ILLUSTRATED PARTS LIST  
01.1 Page 1088A  
Nov 01/04

| FIG. & ITEM | PART NO.    | AIRLINE PART NUMBER | NOMENCLATURE  | EFF CODE  | QTY PER ASSY |
|-------------|-------------|---------------------|---|---|--------------|
| 15-15       | HL1187-5    |                     | 1234567<br>.COLLAR-<br>(V5M902)<br>(SPEC BACC30X5)<br>(OPT HL87-5<br>(V73197))<br>(OPT HL87-5<br>(V92215))<br>(OPT HL86PB5<br>(V73197))<br>(OPT HL86PB5<br>(V56878))<br>(OPT HL86PB5<br>(V92215))<br>(OPT HL1187-5<br>(V56878))<br>(OPT HL1187-5<br>(V92215))<br>(OPT HL87-5<br>(V56878))<br>(OPT HL1187-5<br>(V73197)) | X,AD,<br>BC,BD<br>,BG,B<br>H,BL,<br>BM,BQ<br>BR,BU<br>,BV,B<br>Y,BZ,<br>DU,DV | 7            |
| 20          | 315T3239-18 |                     | .BRACKET  | X,AD,<br>BC,BD<br>,BG,B<br>H,BL,<br>BM,BQ<br>BR,BU<br>,BV,B<br>Y,BZ,<br>DU,DV | 1            |

# 71-11-56

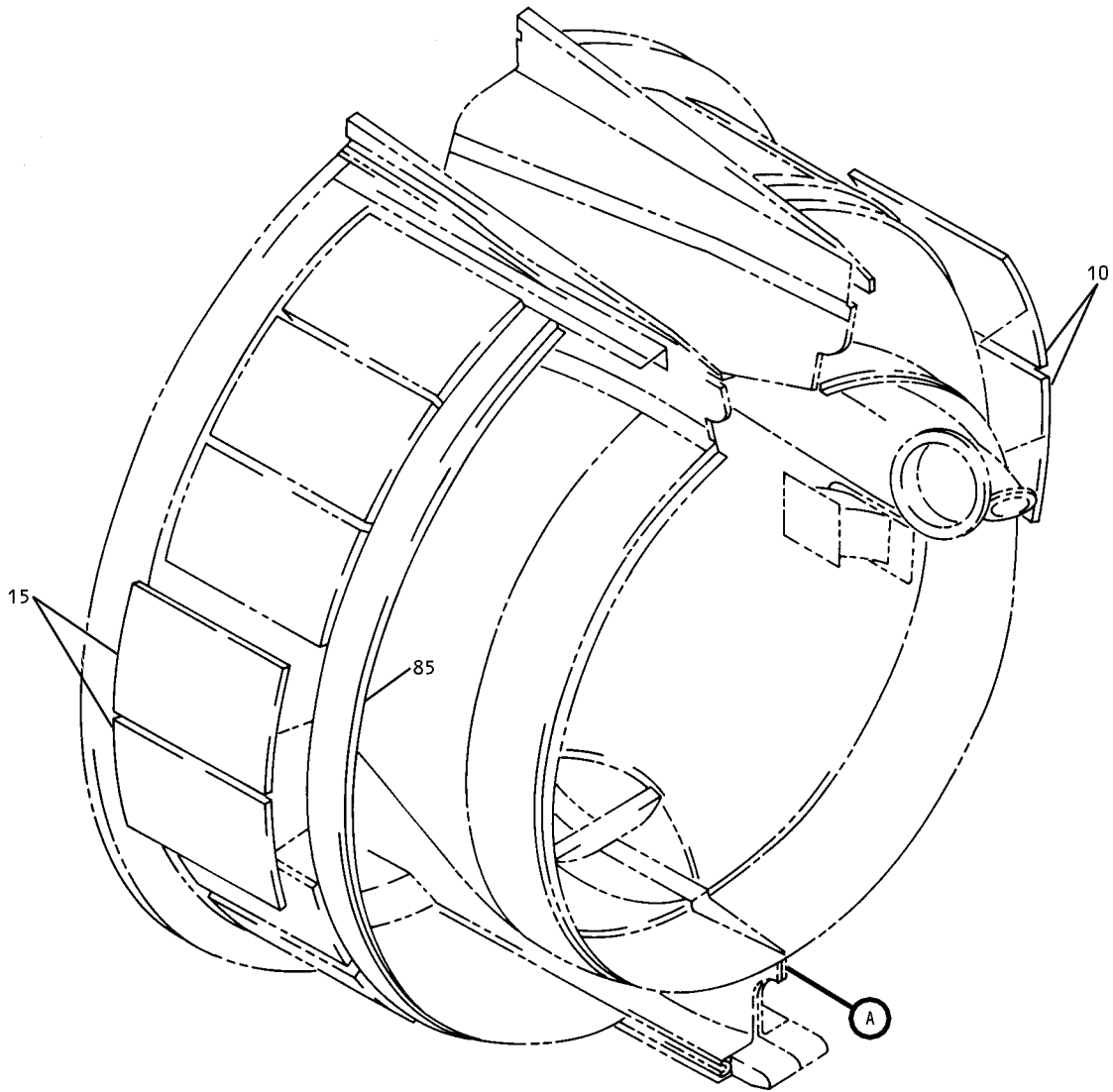
 ILLUSTRATED PARTS LIST  
 01.1 Page 1088B  
 Nov 01/04

| FIG. & ITEM | PART NO.    | AIRLINE PART NUMBER | NOMENCLATURE | EFF CODE  | QTY PER ASSY |
|-------------|-------------|---------------------|--------------|---|--------------|
| 15-25       | 315T3239-19 |                     | .BRACKET     | X,AD,<br>BC,BD<br>,BG,B<br>H,BL,<br>BM,BQ<br>BR,BU<br>,BV,B<br>Y,BZ,<br>DU,DV | 1            |
| 30          | 315T3125-55 |                     | .BOND ASSY   | X,AD,<br>BC,BD<br>,BG,B<br>H,BL,<br>BM,BQ<br>BR,BU<br>,BV,B<br>Y,BZ,<br>DU,DV | 1            |

- Item Not Illustrated

**71-11-56**

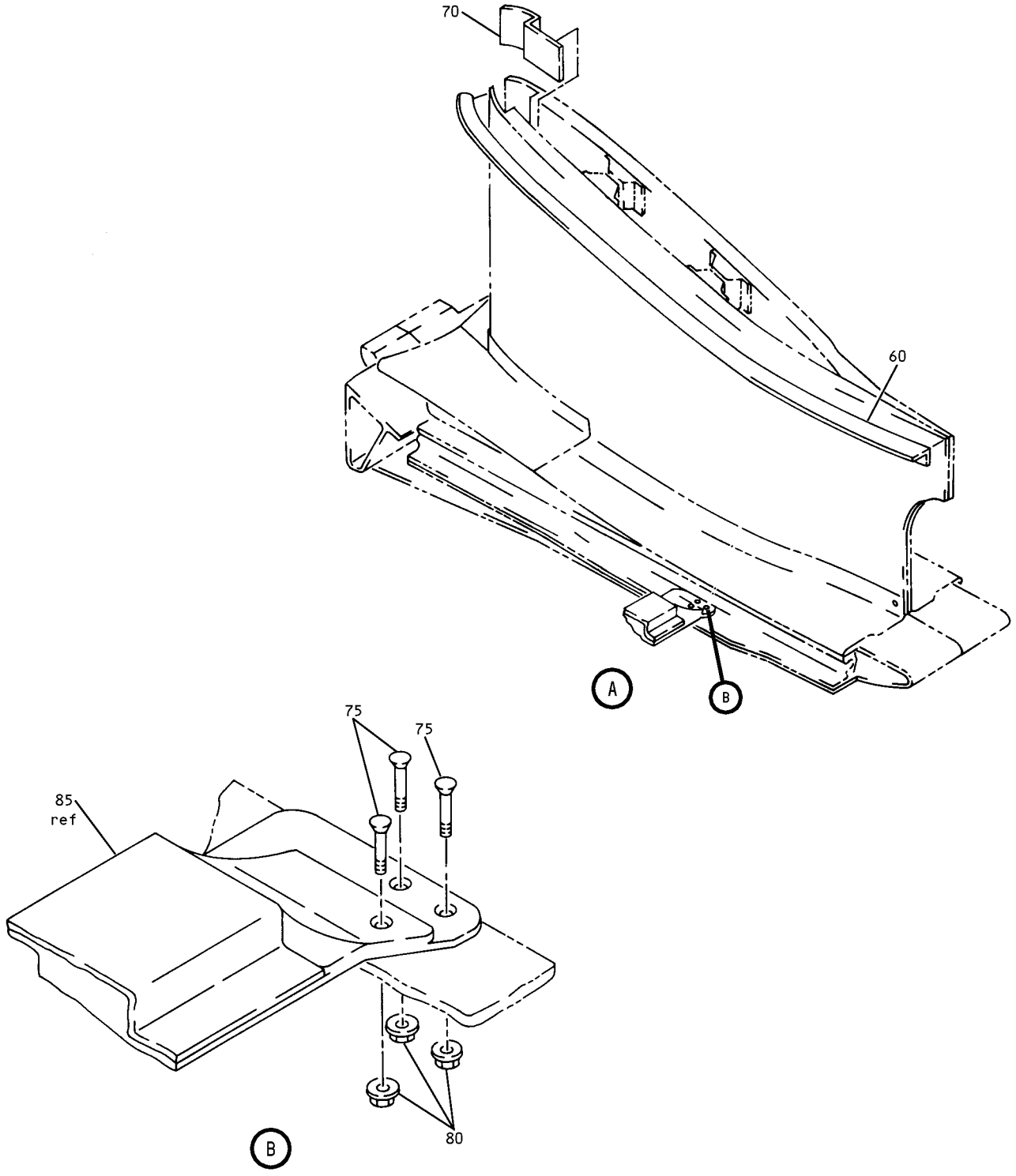
ILLUSTRATED PARTS LIST  
01.1 Page 1088C  
Nov 01/04



Collector Assembly  
Figure 16 (Sheet 1)

**71-11-56**

ILLUSTRATED PARTS LIST  
01.1 Page 1088E  
Nov 01/04



Collector Assembly  
Figure 16 (Sheet 2)

**71-11-56**

ILLUSTRATED PARTS LIST  
01.1 Page 1088F  
Nov 01/04

W78205

| FIG. & ITEM | PART NO.      | AIRLINE PART NUMBER | NOMENCLATURE<br>1234567        | EFF CODE            | QTY PER ASSY |
|-------------|---------------|---------------------|--------------------------------|---------------------|--------------|
| 16-<br>-1A  | 315T4013-5003 |                     | COLLECTOR ASSY-LIMITED<br>PART | V,Z,A<br>W,AY       | 1            |
| -1B         | 315T4013-5004 |                     | COLLECTOR ASSY-LIMITED<br>PART | V,Z,A<br>W,AY       | 1            |
| -1C         | 315T4013-5007 |                     | COLLECTOR ASSY-LIMITED<br>PART | L,Y                 | 1            |
| -1D         | 315T4013-5008 |                     | COLLECTOR ASSY-LIMITED<br>PART | L,Y                 | 1            |
| -1E         | 315T4013-5015 |                     | COLLECTOR ASSY-LIMITED<br>PART | K,N,A<br>W,AY       | 1            |
| -1F         | 315T4013-5017 |                     | COLLECTOR ASSY-LIMITED<br>PART | K,N,A<br>W,AY       | 1            |
| -1G         | 315T4013-5019 |                     | COLLECTOR ASSY-LIMITED<br>PART | L,Y                 | 1            |
| -1H         | 315T4013-5011 |                     | COLLECTOR ASSY-LIMITED<br>PART | AN,AQ<br>,AW,A<br>Y | 1            |
| -1J         | 315T4013-5012 |                     | COLLECTOR ASSY-LIMITED<br>PART | AN,AQ<br>,AW,A<br>Y | 1            |
| -1K         | 315T4013-5023 |                     | COLLECTOR ASSY-LIMITED<br>PART | L,Y                 | 1            |
| -1L         | 315T4013-5025 |                     | COLLECTOR ASSY-LIMITED<br>PART | V,Z,A<br>W,AY       | 1            |
| -1M         | 315T4013-5027 |                     | COLLECTOR ASSY-LIMITED<br>PART | BA,BE               | 1            |
| -1N         | 315T4013-5029 |                     | COLLECTOR ASSY-LIMITED<br>PART | V,Z,A<br>W,AY       | 1            |
| -1P         | 315T4013-5031 |                     | COLLECTOR ASSY-LIMITED<br>PART | BA,BE               | 1            |
| -1Q         | 315T4013-5039 |                     | COLLECTOR ASSY-LIMITED<br>PART | BA,BE               | 1            |
| -1R         | 315T4013-5051 |                     | COLLECTOR ASSY-LIMITED<br>PART | BA,BE               | 1            |
| -1S         | 315T4013-5053 |                     | COLLECTOR ASSY-LIMITED<br>PART | BA,BE               | 1            |
| -1T         | 315T4013-5061 |                     | COLLECTOR ASSY-LIMITED<br>PART | BA,BE               | 1            |
| -1U         | 315T4013-5063 |                     | COLLECTOR ASSY-LIMITED<br>PART | BP                  | 1            |
| -1V         | 315T4013-5065 |                     | COLLECTOR ASSY-LIMITED<br>PART | BB,BF               | 1            |
| -1W         | 315T4013-5067 |                     | COLLECTOR ASSY-LIMITED<br>PART | BN                  | 1            |

71-11-56

ILLUSTRATED PARTS LIST  
01.1 Page 1088G  
Nov 01/04

| FIG. & ITEM | PART NO.      | AIRLINE PART NUMBER | NOMENCLATURE<br>1234567        | EFF CODE | QTY PER ASSY |
|-------------|---------------|---------------------|--------------------------------|----------|--------------|
| 16-<br>-1X  | 315T4013-5069 |                     | COLLECTOR ASSY-LIMITED<br>PART | BP       | 1            |
| -1Y         | 315T4013-5071 |                     | COLLECTOR ASSY-LIMITED<br>PART | BN       | 1            |
| -2          | 315T4013-5083 |                     | COLLECTOR ASSY-LIMITED<br>PART | BK       | 1            |
| -2A         | 315T4013-5085 |                     | COLLECTOR ASSY-LIMITED<br>PART | BJ       | 1            |
| -2B         | 315T4013-5087 |                     | COLLECTOR ASSY-LIMITED<br>PART | BK       | 1            |
| -2C         | 315T4013-5089 |                     | COLLECTOR ASSY-LIMITED<br>PART | BS       | 1            |
| -2D         | 315T4013-5091 |                     | COLLECTOR ASSY-LIMITED<br>PART | BS       | 1            |
| -2E         | 315T4013-5095 |                     | COLLECTOR ASSY-LIMITED<br>PART | BT       | 1            |
| -2F         | 315T4013-5097 |                     | COLLECTOR ASSY-LIMITED<br>PART | BT       | 1            |
| -2G         | 315T4013-5073 |                     | COLLECTOR ASSY-LIMITED<br>PART | BW       | 1            |
| -2H         | 315T4013-5079 |                     | COLLECTOR ASSY-LIMITED<br>PART | BW       | 1            |
| -2J         | 315T4013-5093 |                     | COLLECTOR ASSY-LIMITED<br>PART | BW       | 1            |
| -2K         | 315T4013-5077 |                     | COLLECTOR ASSY-LIMITED<br>PART | BX       | 1            |
| -2L         | 315T4013-5081 |                     | COLLECTOR ASSY-LIMITED<br>PART | BX       | 1            |
| -2M         | 315T4013-5099 |                     | COLLECTOR ASSY-LIMITED<br>PART | BX       | 1            |
| -2N         | 315T4013-5101 |                     | COLLECTOR ASSY-LIMITED<br>PART | BS       | 1            |
| -2P         | 315T4013-5103 |                     | COLLECTOR ASSY-LIMITED<br>PART | BW       | 1            |

# 71-11-56

 ILLUSTRATED PARTS LIST  
 01.1 Page 1088H  
 Nov 01/04



**BOEING**  
COMPONENT  
MAINTENANCE MANUAL

| FIG. & ITEM | PART NO.      | AIRLINE PART NUMBER | NOMENCLATURE<br>1234567        | EFF CODE            | QTY PER ASSY |
|-------------|---------------|---------------------|--------------------------------|---------------------|--------------|
| 16-<br>-2Q  | 315T4013-5105 |                     | COLLECTOR ASSY-LIMITED<br>PART | BT                  | 1            |
| -2S         | 315T4013-5107 |                     | COLLECTOR ASSY-LIMITED<br>PART | BX                  | 1            |
| -5          | 315T4013-5005 |                     | COLLECTOR ASSY-LIMITED<br>PART | X,AD,<br>AX,AZ      | 1            |
| -5A         | 315T4013-5006 |                     | COLLECTOR ASSY-LIMITED<br>PART | X,AD,<br>AX,AZ      | 1            |
| -5B         | 315T4013-5009 |                     | COLLECTOR ASSY-LIMITED<br>PART | W,AC                | 1            |
| -5C         | 315T4013-5010 |                     | COLLECTOR ASSY-LIMITED<br>PART | W,AC                | 1            |
| -5D         | 315T4013-5016 |                     | COLLECTOR ASSY-LIMITED<br>PART | R,U,A<br>X,AZ       | 1            |
| -5E         | 315T4013-5018 |                     | COLLECTOR ASSY-LIMITED<br>PART | R,U,A<br>X,AZ       | 1            |
| -5F         | 315T4013-5020 |                     | COLLECTOR ASSY-LIMITED<br>PART | W,AC                | 1            |
| -5G         | 315T4013-5013 |                     | COLLECTOR ASSY-LIMITED<br>PART | AS,AU<br>,AX,A<br>Z | 1            |
| -5H         | 315T4013-5014 |                     | COLLECTOR ASSY-LIMITED<br>PART | AS,AU<br>,AX,A<br>Z | 1            |
| -5J         | 315T4013-5024 |                     | COLLECTOR ASSY-LIMITED<br>PART | W,AC                | 1            |
| -5K         | 315T4013-5026 |                     | COLLECTOR ASSY-LIMITED<br>PART | X,AD,<br>AX,AZ      | 1            |
| -5L         | 315T4013-5028 |                     | COLLECTOR ASSY-LIMITED<br>PART | BC,BG               | 1            |
| -5M         | 315T4013-5030 |                     | COLLECTOR ASSY-LIMITED<br>PART | X,AD,<br>AX,AZ      | 1            |

71-11-56

ILLUSTRATED PARTS LIST  
01.1 Page 1088I  
Nov 01/04



| FIG. & ITEM | PART NO.      | AIRLINE PART NUMBER | NOMENCLATURE<br>1234567        | EFF CODE | QTY PER ASSY |
|-------------|---------------|---------------------|--------------------------------|----------|--------------|
| 16-<br>-5N  | 315T4013-5032 |                     | COLLECTOR ASSY-LIMITED<br>PART | BC,BG    | 1            |
| -5P         | 315T4013-5036 |                     | COLLECTOR ASSY-LIMITED<br>PART | BC,BG    | 1            |
| -5Q         | 315T4013-5040 |                     | COLLECTOR ASSY-LIMITED<br>PART | BC,BG    | 1            |
| -5R         | 315T4013-5049 |                     | COLLECTOR ASSY-LIMITED<br>PART | D,BH     | 1            |
| -5S         | 315T4013-5050 |                     | COLLECTOR ASSY-LIMITED<br>PART | BD,BH    | 1            |
| -5T         | 315T4013-5052 |                     | COLLECTOR ASSY-LIMITED<br>PART | BC,BG    | 1            |
| -5U         | 315T4013-5054 |                     | COLLECTOR ASSY-LIMITED<br>PART | BC,BG    | 1            |
| -5V         | 315T4013-5034 |                     | COLLECTOR ASSY-LIMITED<br>PART | X,AD     | 1            |
| -5W         | 315T4013-5062 |                     | COLLECTOR ASSY-LIMITED<br>PART | BC,BG    | 1            |
| -5X         | 315T4013-5064 |                     | COLLECTOR ASSY-LIMITED<br>PART | BM       | 1            |
| -5Y         | 315T4013-5068 |                     | COLLECTOR ASSY-LIMITED<br>PART | BL       | 1            |
| -5Z         | 315T4013-5070 |                     | COLLECTOR ASSY-LIMITED<br>PART | BM       | 1            |
| -6          | 315T4013-5072 |                     | COLLECTOR ASSY-LIMITED<br>PART | BL       | 1            |
| -6A         | 315T4013-5076 |                     | COLLECTOR ASSY-LIMITED<br>PART | BM       | 1            |
| -6B         | 315T4013-5084 |                     | COLLECTOR ASSY-LIMITED<br>PART | BR       | 1            |
| -6C         | 315T4013-5086 |                     | COLLECTOR ASSY-LIMITED<br>PART | BQ       | 1            |
| -6D         | 315T4013-5088 |                     | COLLECTOR ASSY-LIMITED<br>PART | BR       | 1            |

# 71-11-56

 ILLUSTRATED PARTS LIST  
 01.1 Page 1088J  
 Nov 01/04

| FIG. & ITEM | PART NO.      | AIRLINE PART NUMBER | NOMENCLATURE<br>1234567  | EFF CODE | QTY PER ASSY |
|-------------|---------------|---------------------|--|----------|--------------|
| 16-<br>-6E  | 315T4013-5074 |                     | COLLECTOR ASSY-LIMITED PART  | BU       | 1            |
| -6F         | 315T4013-5080 |                     | COLLECTOR ASSY-LIMITED PART  | BU       | 1            |
| -6G         | 315T4013-5090 |                     | COLLECTOR ASSY-LIMITED PART  | BU       | 1            |
| -6H         | 315T4013-5078 |                     | COLLECTOR ASSY-LIMITED PART  | BV       | 1            |
| -6J         | 315T4013-5082 |                     | COLLECTOR ASSY-LIMITED PART  | BV       | 1            |
| -6K         | 315T4013-5096 |                     | COLLECTOR ASSY-LIMITED PART  | BV       | 1            |
| -6L         | 315T4013-5092 |                     | COLLECTOR ASSY-LIMITED PART  | BY       | 1            |
| -6M         | 315T4013-5094 |                     | COLLECTOR ASSY-LIMITED PART  | BY       | 1            |
| -6N         | 315T4013-5098 |                     | COLLECTOR ASSY-LIMITED PART  | BZ       | 1            |
| -6P         | 315T4013-5100 |                     | COLLECTOR ASSY-LIMITED PART  | BZ       | 1            |
| -6Q         | 315T4013-5102 |                     | COLLECTOR ASSY-LIMITED PART  | BU       | 1            |
| -6R         | 315T4013-5104 |                     | COLLECTOR ASSY-LIMITED PART  | BY       | 1            |
| -6S         | 315T4013-5106 |                     | COLLECTOR ASSY-LIMITED PART  | BV       | 1            |
| -6T         | 315T4013-5108 |                     | COLLECTOR ASSY-LIMITED PART  | BZ       | 1            |
| 10          | 315T4259-1    |                     | .CASCADE ASSY-58.25 DEG CURVED STRONGBACK (USED ON ITEMS 5X, 5Y, 5Z)<br>(PRE SB 767-78-0069)<br>(PRE SB 767-78-2123) | BL,BM    | 2            |

71-11-56

ILLUSTRATED PARTS LIST  
01.1 Page 1088K  
Nov 01/04

| FIG. & ITEM | PART NO.   | AIRLINE PART NUMBER | NOMENCLATURE<br>1234567   | EFF CODE            | QTY PER ASSY |
|-------------|------------|---------------------|---|---------------------|--------------|
| 16-<br>-10A | 315T4259-7 |                     | .CASCADE ASSY-52.25 DEG<br>CURVED STRONGBACK<br>(USED ON ITEMS 6, 6A,<br>6F, 6G, 6J, 6K)<br>(POST SB 767-78-0069)<br>(POST SB 767-78-2123)            | BL,BM<br>,BU,B<br>V | 2            |
| -10B        | 315T4259-7 |                     | .CASCADE ASSY-58.25 DEG<br>CURVED STRONGBACK<br>(OPT ITEM 10C)<br>(USED ON ITEMS 6E, 6H,<br>6Q, 6S)<br>(POST SB 767-78-0069)<br>(POST SB 767-78-2123) | BU,BV               | 2            |
| -10C        | 315T4259-9 |                     | .CASCADE ASSY-58.25 DEG<br>CURVED STRONGBACK<br>(OPT ITEM 10D)<br>(USED ON ITEMS 6E, 6H,<br>6Q, 6S)<br>(POST SB 767-78-0069)<br>(POST SB 767-78-2123) | BU,BV               | 2            |
| 15          | 315T4259-2 |                     | .CASCADE ASSY-58.25 DEG<br>CURVED STRONGBACK<br>(USED ON ITEMS 1U, 1W,<br>1X, 2A)<br>(PRE SB 767-78-0069)<br>(PRE SB 767-78-2123)                     | BJ,BN<br>,BP        | 2            |
| -15A        | 315T4259-8 |                     | .CASCADE ASSY-58.25 DEG<br>CURVED STRONGBACK<br>(USED ON ITEMS 1Y, 1Z,<br>2H, 2J, 2L, 2M)<br>(POST SB 767-78-0069)<br>(POST SB 767-78-2123)           | BN,BP<br>,BW,B<br>X | 2            |
| -15B        | 315T4259-8 |                     | .CASCADE ASSY-58.25 DEG<br>CURVED STRONGBACK<br>(OPT ITEM 15C)<br>(USED ON ITEMS 2G, 2K,<br>2P, 2R)<br>(POST SB 767-78-0069)<br>(POST SB 767-78-2123) | BW,BX               | 2            |

# 71-11-56

 ILLUSTRATED PARTS LIST  
 01.1 Page 1088L  
 Nov 01/04

**BOEING**  
COMPONENT  
MAINTENANCE MANUAL

| FIG. & ITEM | PART NO.     | AIRLINE PART NUMBER | NOMENCLATURE<br>1234567   | EFF CODE                     | QTY PER ASSY |
|-------------|--------------|---------------------|---|------------------------------|--------------|
| 16-<br>-15C | 315T4259-10  |                     | .CASCADE ASSY-58.25 DEG<br>CURVED STRONGBACK<br>(OPT ITEM 15B)<br>(USED ON ITEMS 2G, 2K,<br>2P, 2R)<br>(POST SB 767-78-0069)<br>(POST SB 767-78-2123) | BW,BX                        | 2            |
| -20         | 315T3202-149 |                     | .BOX INSTL-<br>(USED ON ITEMS 1C, 1E)<br>(FOR DETAILS SEE FIG. 2)   | K,L,N<br>,Y,AW<br>,AY        | 1            |
| -20A        | 315T3202-179 |                     | .BOX INSTL-<br>(USED ON ITEMS 1D, 1F,<br>1G, 1K)<br>(FOR DETAILS SEE FIG. 2)  | K,L,N<br>,Y,AW<br>,AY        | 1            |
| -20B        | 315T3202-233 |                     | .BOX INSTL-<br>(USED ON ITEMS 2C, 2E,<br>2H, 2L)<br>(FOR DETAILS SEE FIG. 2)  | BS,BT<br>,BW,B<br>X          | 1            |
| -20C        | 315T3202-235 |                     | .BOX INSTL-<br>(USED ON ITEMS 2D, 2F<br>2G)<br>(FOR DETAILS SEE FIG. 2)   | BS,BT<br>,BW,B<br>X          | 1            |
| -25         | 315T3202-150 |                     | .BOX INSTL-<br>(USED ON ITEMS 5B, 5D)<br>(FOR DETAILS SEE FIG. 2)   | R,U,W<br>,AC,A<br>X,AZ       | 1            |
| -25A        | 315T3202-180 |                     | .BOX INSTL-<br>(USED ON ITEMS 5E, 5F,<br>5J)<br>(FOR DETAILS SEE FIG. 2)  | R,U,W<br>,AC,A<br>X,AZ       | 1            |
| -25B        | 315T3202-234 |                     | .BOX INSTL-<br>(USED ON ITEMS 6F, 6J,<br>6L, 6N)<br>(FOR DETAILS SEE FIG. 2)  | BU,BV<br>,BY,B<br>Z          | 1            |
| -25C        | 315T3202-236 |                     | .BOX INSTL-<br>(USED ON ITEMS 6E, 6G,<br>6H, 6K, 6M, 6P, 6Q, 6R,<br>6S, 6T)<br>(FOR DETAILS SEE FIG. 2)   | BU,BV<br>,BY,B<br>Z          | 1            |
| -30         | 315T3126-35  |                     | .DUCT INSTL-INLET<br>PRECOOLER<br>(LIMITED)<br>(USED ON ITEMS 5, 5A,<br>5K, 5M, 5N)<br>(FOR DETAILS SEE FIG. 3)                                       | X,AD,<br>AX,AZ<br>,BC,B<br>G | 1            |

71-11-56

ILLUSTRATED PARTS LIST  
01.1 Page 1088M  
Nov 01/04

| FIG. & ITEM | PART NO.     | AIRLINE PART NUMBER | NOMENCLATURE<br>1234567  | EFF CODE                     | QTY PER ASSY |
|-------------|--------------|---------------------|--|------------------------------|--------------|
| 16-30A      | 315T3126-37  |                     | .DUCT INSTL-INLET<br>PRECOOLER<br>(LIMITED)<br>(USED ON ITEMS 5L, 5P,<br>5Q, 5T, 5U, 5V, 5W)<br>(FOR DETAILS SEE FIG. 3) | X,AD,<br>BC,BD<br>,BG,B<br>H | 1            |
| -30B        | 315T3126-37  |                     | .DUCT INSTL-INLET<br>PRECOOLER<br>(USED ON ITEMS 5Y, 6,<br>6C, 6E, 6F, 6G, 6Q)<br>(FOR DETAILS SEE FIG. 3)               | BL,BQ<br>,BU                 | 1            |
| -35         | 315T3318-197 |                     | .SEAL INSTL-UPR<br>BIFURCATION<br>(USED ON ITEMS 1M, 1P,<br>1R, 1S)<br>(FOR DETAILS SEE FIG. 6)                          | BA,BE                        | 1            |
| -35A        | 315T3318-231 |                     | .SEAL INSTL-UPR<br>BIFURCATION<br>(USED ON ITEMS 1Q, 1T,<br>1W, 1Y, 2A, 2G, 2H, 2J,<br>2P)<br>(FOR DETAILS SEE FIG. 6)   | BA,BE<br>,BJ,B<br>N,BW       | 1            |
| -35B        | 315T3318-198 |                     | .SEAL INSTL-UPR<br>BIFURCATION<br>(USED ON ITEMS 5L, 5N,<br>5P, 5T, 5U)<br>(FOR DETAILS SEE FIG. 6)                      | BC,BG                        | 1            |
| -35C        | 315T3318-232 |                     | .SEAL INSTL-UPR<br>BIFURCATION<br>(USED ON ITEMS 5Q, 5W,<br>5Y, 6, 6C, 6E, 6F, 6G,<br>6Q)<br>(FOR DETAILS SEE FIG. 6)    | BC,BG<br>,BL,B<br>Q,BU       | 1            |
| -40         | 315U4305-1   |                     | .FAIRING INSTL-UPR<br>BIFURCATION<br>(FOR DETAILS SEE FIG. 9)  | BK,BP                        | 1            |
| -45         | 315U4305-2   |                     | .FAIRING INSTL-UPR<br>BIFURCATION<br>(FOR DETAILS SEE FIG. 9)  | BM,BR                        | 1            |
| -50         | 315T4300-11  |                     | .BIFURCATION INSTL-UPR<br>(USED ON ITEMS 1P, 1R,<br>1T)<br>(FOR DETAILS SEE FIG. 5)                                      | BA,BE                        | 1            |

# 71-11-56

 ILLUSTRATED PARTS LIST  
 01.1 Page 1088N  
 Nov 01/04

**BOEING**  
COMPONENT  
MAINTENANCE MANUAL

| FIG. & ITEM | PART NO.    | AIRLINE PART NUMBER | NOMENCLATURE<br>1234567   | EFF CODE  | QTY PER ASSY |
|-------------|-------------|---------------------|---|---|--------------|
| 16-<br>-50A | 315T4300-19 |                     | .BIFURCATION INSTL-UPR<br>(USED ON ITEMS 1M, 1Q,<br>1T, 1W, 1Y, 2A, 2C, 2D,<br>2E, 2F, 2G, 2H, 2J, 2K,<br>2L, 2M)<br>(FOR DETAILS SEE FIG. 5) | BA, BE<br>, BJ, B<br>N, BS,<br>BT, BW<br>, BX     | 1            |
| -50B        | 315T4300-25 |                     | .BIFURCATION INSTL-UPR<br>(USED ON ITEMS 2N, 2P,<br>2Q, 2R)<br>(FOR DETAILS SEE FIG. 5)   | BS, BT<br>, BW, B<br>X                            | 1            |
| -55         | 315T4300-12 |                     | .BIFURCATION INSTL-UPR<br>(USED ON ITEMS 5N, 5P,<br>5T, 5U)<br>(FOR DETAILS SEE FIG. 5)   | BC, BD<br>, BG, B<br>H                            | 1            |
| -55A        | 315T4300-20 |                     | .BIFURCATION INSTL-UPR<br>(USED ON ITEMS 5L, 5Q,<br>5W, 5Y, 6, 6C, 6E, 6F,<br>6G, 6H, 6J, 6K, 6L, 6M,<br>6N, 6P)<br>(FOR DETAILS SEE FIG. 5)  | BC, BG<br>, BL, B<br>U                            | 1            |
| -55B        | 315T4300-26 |                     | .BIFURCATION INSTL-UPR<br>(USED ON ITEMS 6Q, 6R,<br>6S, 6T)<br>(FOR DETAILS SEE FIG. 5)   | BU, BV<br>, BY, B<br>Z                            | 1            |
| 60          | 315T4006-5  |                     | .ANGLE-<br>(USED ON ITEMS 1A, 1C,<br>1G, 1H)  | L, V, Y<br>, Z, AN<br>, AQ, A<br>W, AY            | 1            |
| -60A        | 315T4006-9  |                     | .ANGLE-<br>(USED ON ITEMS 1B, 1D,<br>1J, 1K, 1L, 1N, 1P)  | L, V, Y<br>, Z, AN<br>, AQ, A<br>W, AY,<br>BA, BE | 1            |
| -60B        | 315T4006-11 |                     | .ANGLE-<br>(USED ON ITEMS 1M, 1Q,<br>1R, 1S, 1T, 1W, 1Y, 2A,<br>2G, 2H, 2J, 2P)   | BA, BE<br>BA, BE<br>, BW                          | 1            |
| -65         | 315T4006-6  |                     | .ANGLE-<br>(USED ON ITEMS 5, 5B,<br>5F, 5G)   | W, X, A<br>C, AD,<br>AS, AU<br>, AX, A<br>Z       | 1            |

71-11-56

ILLUSTRATED PARTS LIST  
01.1 Page 10880  
Nov 01/04

| FIG. & ITEM | PART NO.    | AIRLINE PART NUMBER | NOMENCLATURE<br>1234567   | EFF CODE   | QTY PER ASSY |
|-------------|-------------|---------------------|---|--|--------------|
| 16-<br>-65A | 315T4006-10 |                     | .ANGLE-<br>(USED ON ITEMS 5A, 5C,<br>5H, 5J, 5K, 5M, 5N, 5P,<br>5V)   | W,AC,<br>AX,AZ                                   | 1            |
| -65B        | 315T4006-12 |                     | .ANGLE-<br>(USED ON ITEMS 5L, 5Q,<br>5T, 5U, 5W, 5Y, 6, 6C,<br>6E, 6F, 6G, 6Q)  | BC,BG<br>,BL,B<br>Q,BU                           | 1            |
| 70          | 315T4409-14 |                     | .PAD ASSY-LWR BIFURCATION<br>(OPT ITEM 70A)<br>(USED ON ITEMS 5, 5A,<br>5B, 5C, 5F, 5G, 5H, 5J,<br>5K, 5L, 5M, 5N, 5P, 5R,<br>5T, 5U, 5V) | W,X,A<br>C,AD,<br>AS,AU<br>,AX,A<br>Z,BC<br>BG   | 1            |
| -70A        | 315T4409-16 |                     | .PAD ASSY-LWR BIFURCATION<br>(OPT ITEM 70)<br>(USED ON ITEMS 5, 5A,<br>5B, 5C, 5F, 5G, 5H, 5J,<br>5K, 5L, 5M, 5N, 5P, 5R,<br>5T, 5U, 5V)  | W,X,A<br>C,AD,<br>AS,AU<br>,AX,A<br>Z,BC<br>BG   | 1            |
| -70B        | 315T4409-22 |                     | .PAD ASSY-LWR BIFURCATION<br>(OPT ITEM 70C)<br>(USED ON ITEMS 5Q, 5S,<br>5W, 5X, 5Y, 5Z, 6, 6A,<br>6C, 6E, 6F, 6G, 6H, 6J,<br>6K, 6Q, 6S) | BC,BD<br>,BG,B<br>H,BL,<br>BM,BQ<br>,BR<br>BU,BV | 1            |
| -70C        | 315T4409-23 |                     | .PAD ASSY-LWR BIFURCATION<br>(OPT ITEM 70C)<br>(USED ON ITEMS 5Q, 5S,<br>5W, 5X, 5Y, 5Z, 6, 6A,<br>6C, 6E, 6F, 6G, 6H, 6J,<br>6K, 6Q, 6S) | BC,BD<br>,BG,B<br>H,BL,<br>BM,BQ<br>,BR<br>BU,BV | 1            |

# 71-11-56

 ILLUSTRATED PARTS LIST  
 01.1 Page 1088P  
 Nov 01/04

**BOEING**  
COMPONENT  
MAINTENANCE MANUAL

| FIG. & ITEM | PART NO.    | AIRLINE PART NUMBER | NOMENCLATURE<br>1234567  | EFF CODE  | QTY PER ASSY |
|-------------|-------------|---------------------|--|---|--------------|
| 16-75       | 315T4013-87 |                     | .BOLT-SPECIAL<br>(USED ON ITEMS 1K, 1L, 1M, 1N, 1P, 1Q, 1R, 1S, 1W, 1Y, 2A, 5J, 5K, 5L, 5M, 5N, 5P, 5Q, 5R, 5T, 5U, 5V, 5W, 5Y, 6, 6C) | L,V-Z<br>,AC,A<br>D,A<br>W-BA,<br>BC,BE<br>BG,BJ<br>,BL,B<br>N,BQ | 3            |
| -75A        | 315T4013-55 |                     | .BOLT-SPECIAL<br>(USED ON ITEMS 1K, 1L, 1M, 1N, 1P, 1Q, 1R, 1S, 1W, 1Y, 2A, 5J, 5K, 5L, 5M, 5N, 5P, 5Q, 5R, 5T, 5U, 5V, 5W, 5Y, 6, 6C) | L,V-Z<br>,AC,A<br>D,A<br>W-BA,<br>BC,BE<br>BG,BJ<br>,BL,B<br>N,BQ | 3            |
| -75B        | 315T4013-93 |                     | .BOLT-SPECIAL<br>(USED ON ITEMS 1K, 1L, 1M, 1N, 1P, 1Q, 1R, 1S, 1W, 1Y, 2A, 5J, 5K, 5L, 5M, 5N, 5P, 5Q, 5R, 5T, 5U, 5V, 5W, 5Y, 6, 6C) | L,V-Z<br>,AC,A<br>D,A<br>W-BA,<br>BC,BE<br>BG,BJ<br>,BL,B<br>N,BQ | 3            |
| 80          | MS21042L5   |                     | .NUT-<br>(USED ON ITEMS 1K, 1L, 1M, 1N, 1P, 1Q, 1R, 1S, 1W, 1Y, 2A, 5J, 5K, 5L, 5M, 5N, 5P, 5Q, 5R, 5T, 5U, 5V, 5W, 5Y, 6, 6C)         | L,V-Z<br>,AC,A<br>D,A<br>W-BA,<br>BC,BE<br>BG,BJ<br>,BL,B<br>N,BQ | 3            |

71-11-56

ILLUSTRATED PARTS LIST  
01.1 Page 1088Q  
Nov 01/04



| FIG. & ITEM | PART NO.    | AIRLINE PART NUMBER | NOMENCLATURE<br>1234567  | EFF CODE                     | QTY PER ASSY |
|-------------|-------------|---------------------|--|------------------------------|--------------|
| 16-85       | 315T3204-11 |                     | .RING ASSY-<br>(USED ON ITEMS 1A, 1B, 1H, 1J, 1L)<br>(PRE SB 747-78A2165)<br>(PRE SB 767-78A0080)<br>(PRE SB 767-78A0089)<br>(FOR DETAILS SEE FIG. 13)           | V,Z,A<br>N,AQ,<br>AW,AY      | 1            |
| -85A        | 315T3204-15 |                     | .RING ASSY-<br>(USED ON ITEM 1N)<br>(PRE SB 747-78A2165)<br>(PRE SB 767-78A0080)<br>(PRE SB 767-78A0089)   | V,Z,A<br>W,AY                | 1            |
| -85B        | 315T3204-21 |                     | .RING ASSY-<br>(USED ON ITEMS 1A, 1B, 1H, 1J, 1L, 1N)<br>(POST SB 747-78A2165)<br>(POST SB 767-78A0080)<br>(POST SB 767-78A0089)<br>(FOR DETAILS SEE FIG. 13)    | V,Z,A<br>N,AQ,<br>AW,AY      | 1            |
| -90         | 315T3204-12 |                     | .RING ASSY-<br>(USED ON ITEMS 5, 5A, 5G, 5H, 5K)<br>(PRE SB 747-78A2165)<br>(PRE SB 767-78A0080)<br>(PRE SB 767-78A0089)<br>(FOR DETAILS SEE FIG. 13)            | X,AD,<br>AS,AU<br>,AX,A<br>Z | 1            |
| -90A        | 315T3204-16 |                     | .RING ASSY-<br>(USED ON ITEMS 5M, 5V)<br>(PRE SB 747-78A2165)<br>(PRE SB 767-78A0080)<br>(PRE SB 767-78A0089)  | AX,AZ                        | 1            |
| -90B        | 315T3204-22 |                     | .RING ASSY-<br>(USED ON ITEMS 5, 5A, 5G, 5H, 5K, 5M, 5V)<br>(POST SB 747-78A2165)<br>(POST SB 767-78A0080)<br>(POST SB 767-78A0089)<br>(FOR DETAILS SEE FIG. 13) | X,AD,<br>AS,AU<br>,AX,A<br>Z | 1            |

# 71-11-56

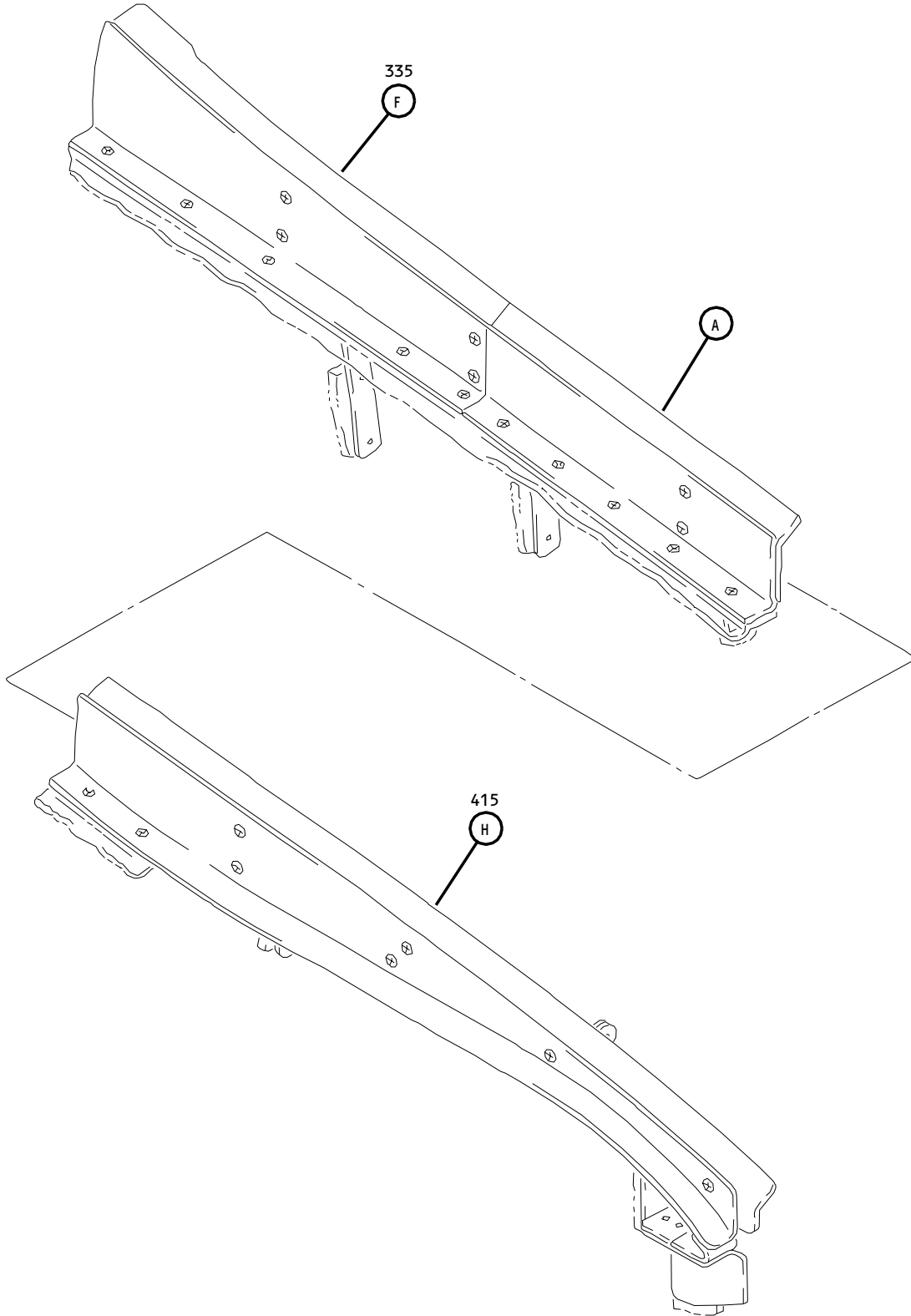
 ILLUSTRATED PARTS LIST  
 01.1 Page 1088R  
 Nov 01/04

| FIG. & ITEM | PART NO.      | AIRLINE PART NUMBER | NOMENCLATURE<br>1234567                                   | EFF CODE      | QTY PER ASSY |
|-------------|---------------|---------------------|---|---------------|--------------|
| 16-<br>-95  | 315T3204-5011 |                     | ..RING ASSY-<br>(LIMITED)<br>(FOR DETAILS SEE<br>FIG. 13) | V,Z,A<br>W,AY | 1            |
| -95A        | 315T3204-5013 |                     | ..RING ASSY-<br>(LIMITED)<br>(FOR DETAILS SEE<br>FIG. 13) | V,Z,A<br>W,AY | 1            |
| -100        | 315T3204-5012 |                     | ..RING ASSY-<br>(LIMITED)<br>(FOR DETAILS SEE<br>FIG. 13) | AX,AZ         | 1            |
| -100A       | 315T3204-5014 |                     | ..RING ASSY-<br>(LIMITED)<br>(FOR DETAILS SEE<br>FIG. 13) | AX,AZ         | 1            |

- Item Not Illustrated

**71-11-56**

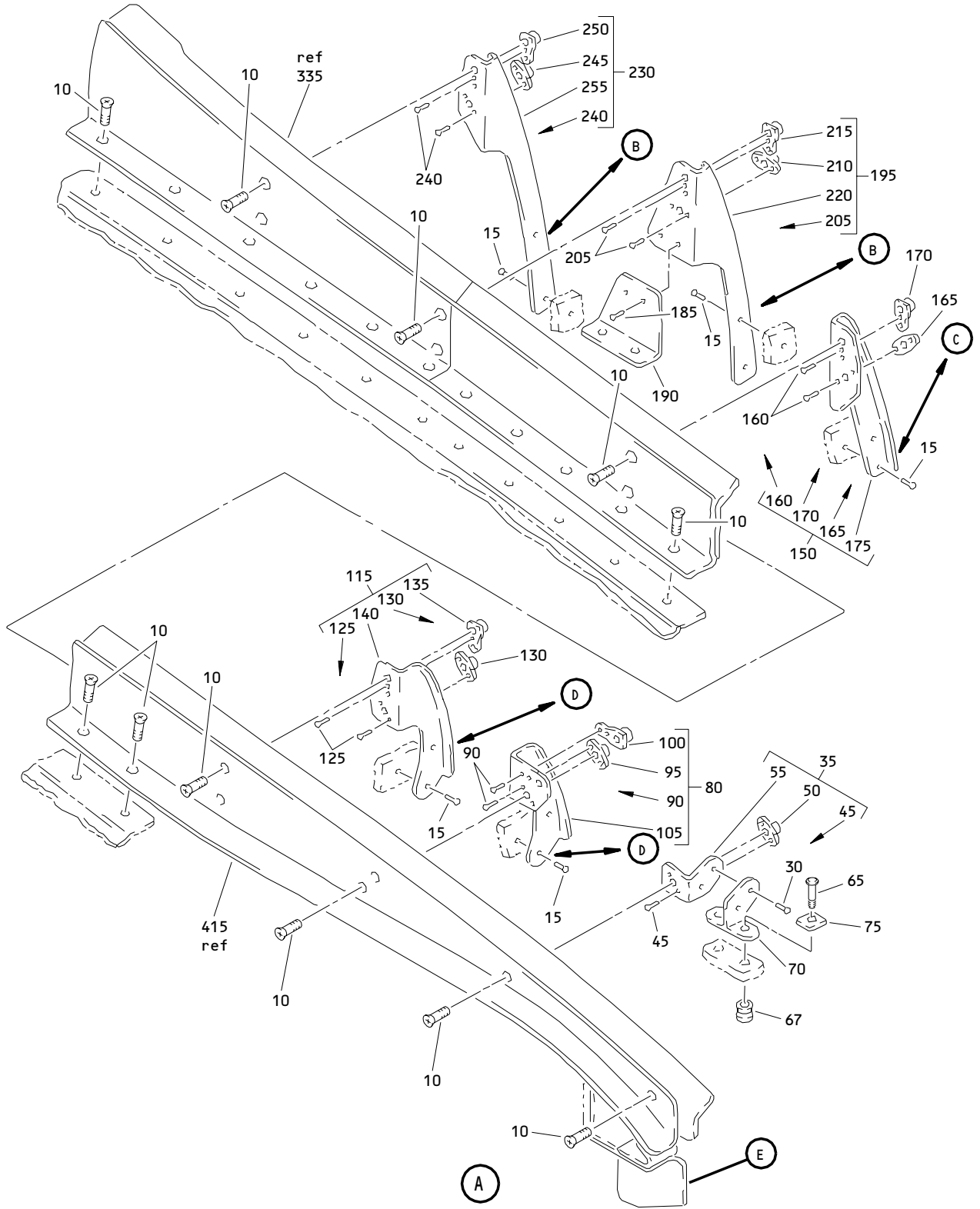
ILLUSTRATED PARTS LIST  
01.1 Page 1088S  
Nov 01/04



Fairing Installation - Upper  
Figure 17 (Sheet 1)

**71-11-56**

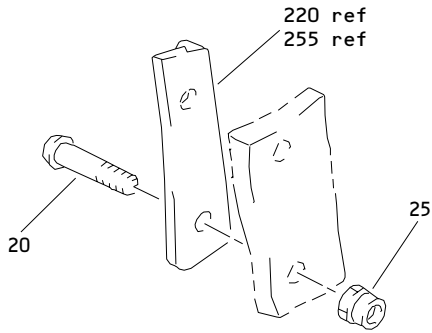
ILLUSTRATED PARTS LIST  
01.1 Page 1088T  
Nov 01/04



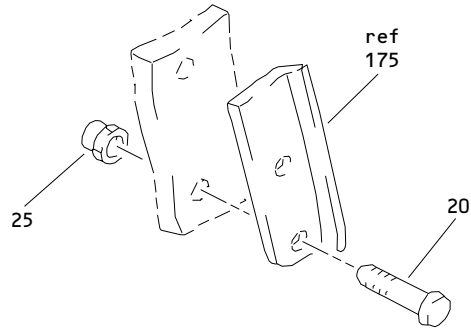
Fairing Installation - Upper  
Figure 17 (Sheet 2)

**71-11-56**

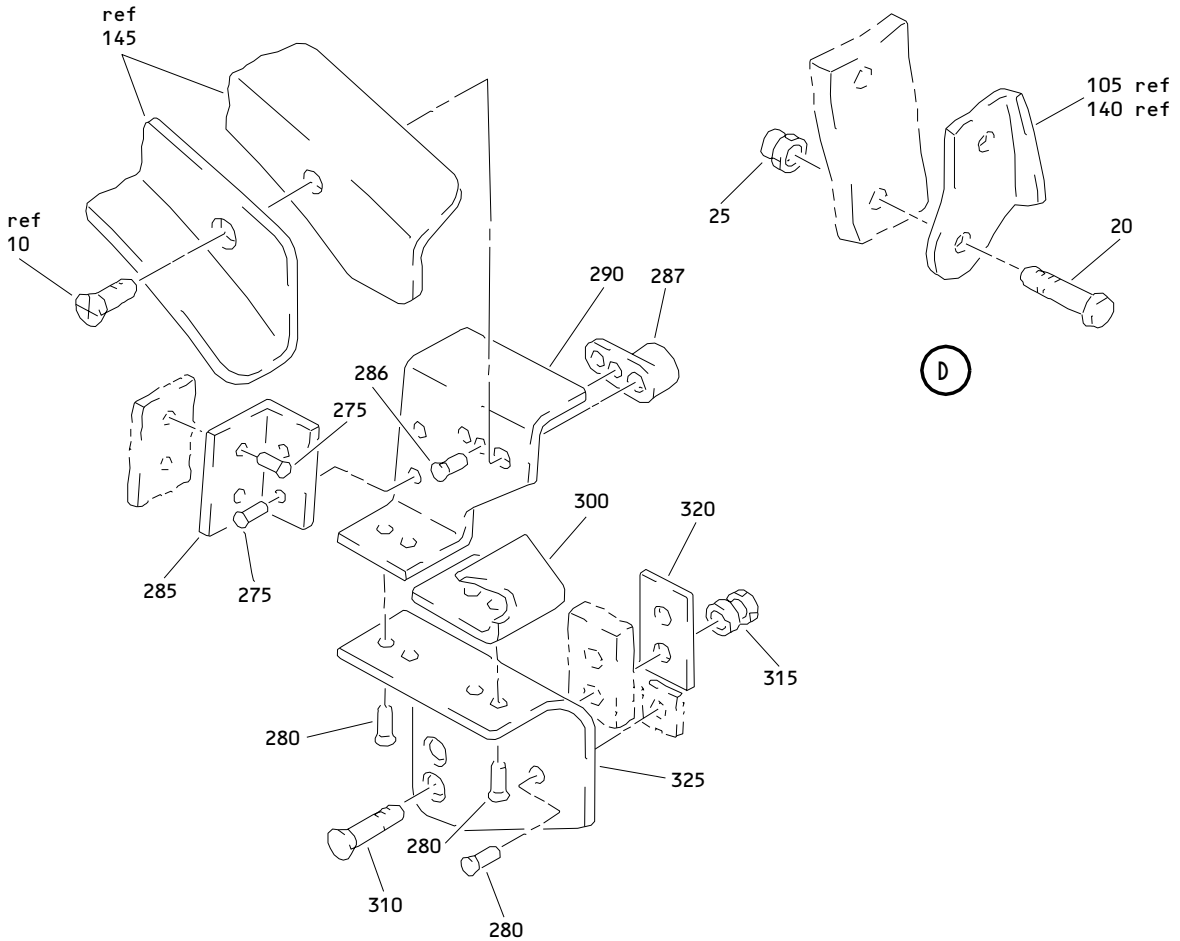
ILLUSTRATED PARTS LIST  
01.1 Page 1088U  
Nov 01/04



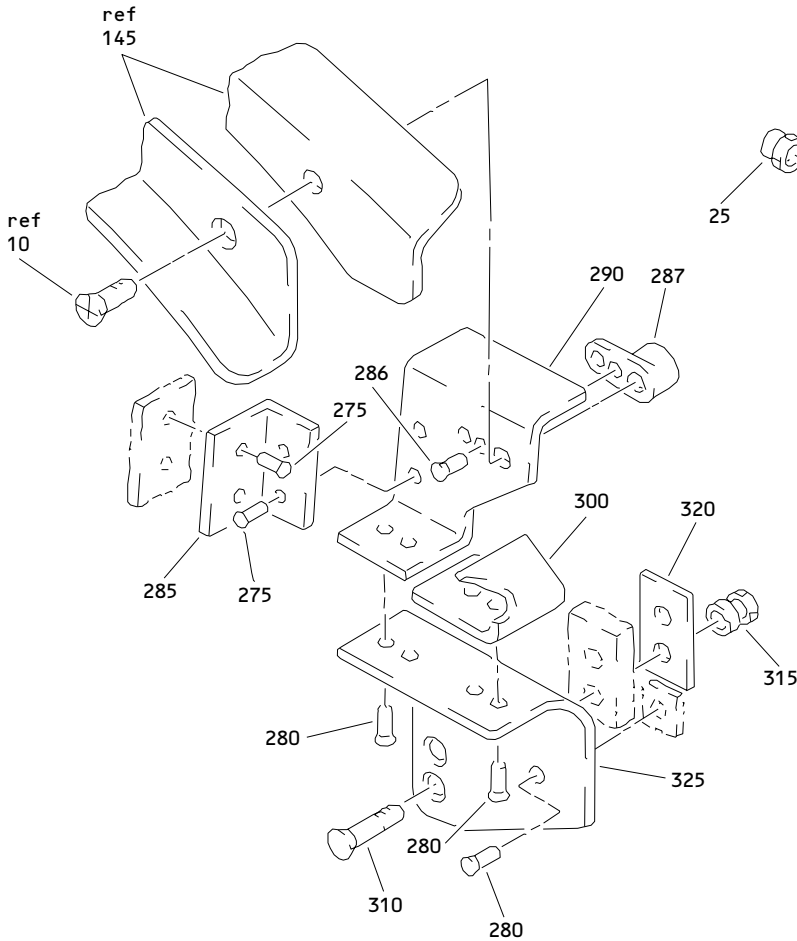
(B)



(C)



(D)

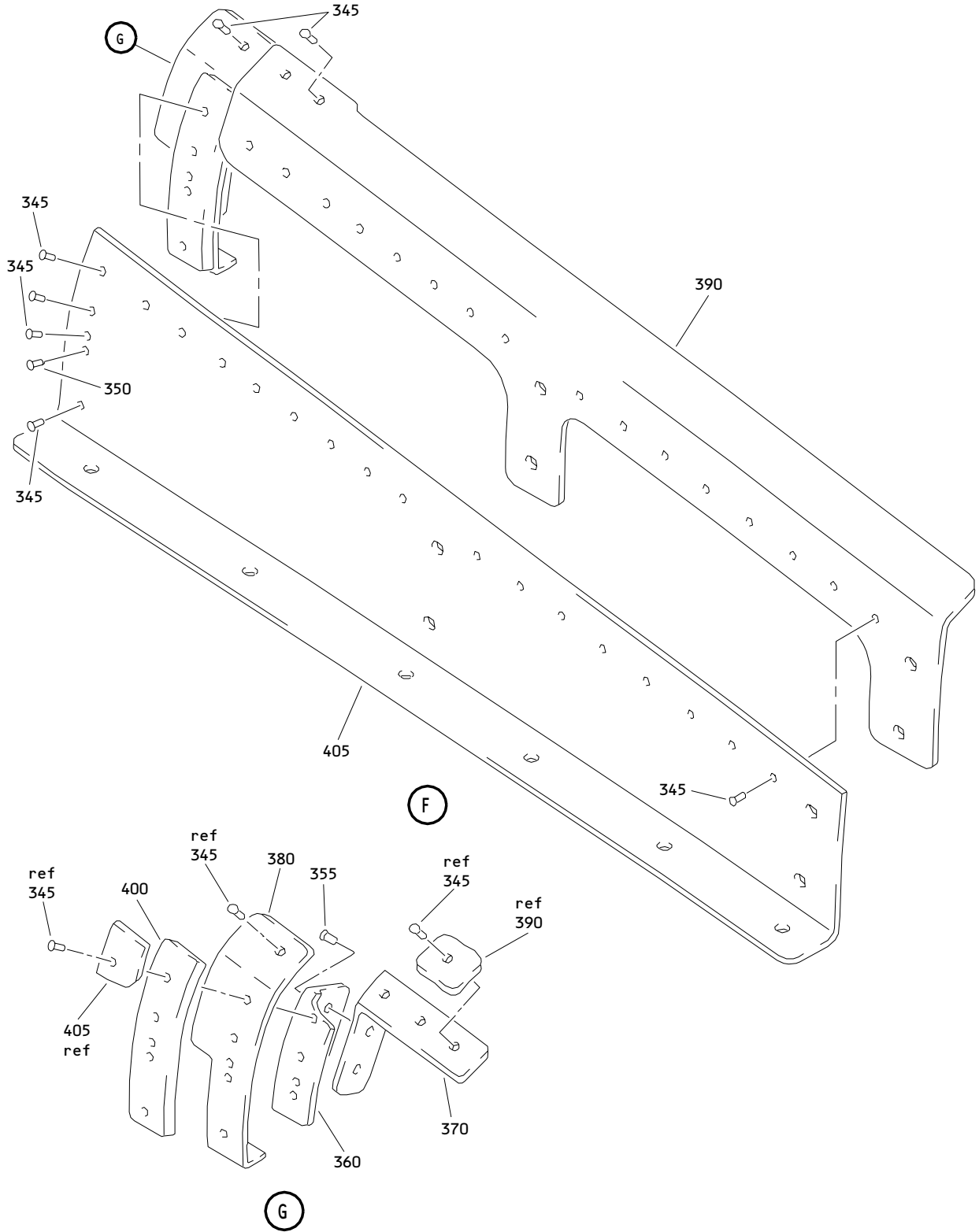


(E)

Fairing Installation - Upper  
 Figure 17 (Sheet 3)

**71-11-56**

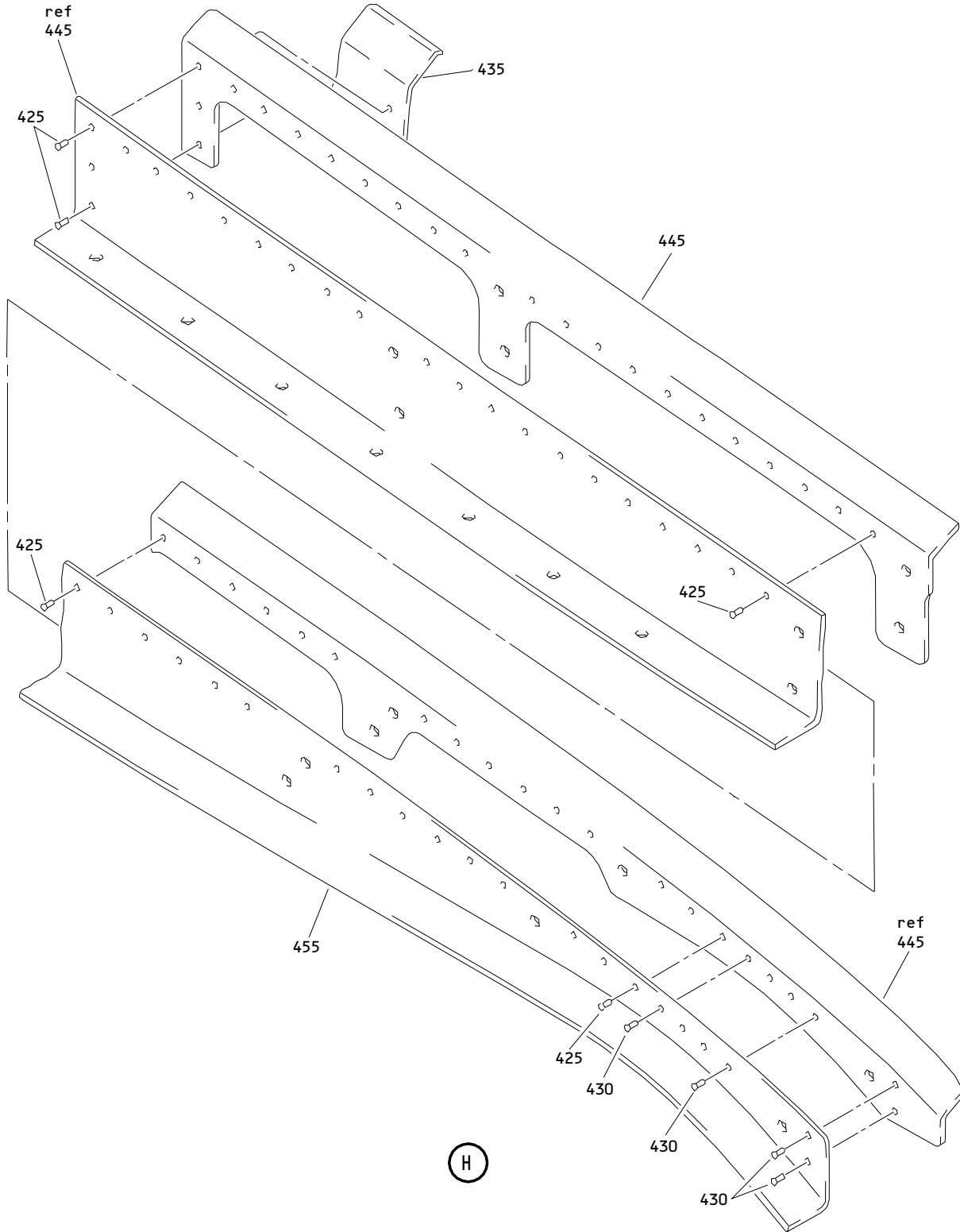
ILLUSTRATED PARTS LIST  
 01.1 Page 1088V  
 Nov 01/04



Fairing Installation - Upper  
Figure 17 (Sheet 4)

**71-11-56**

ILLUSTRATED PARTS LIST  
01.1 Page 1088W  
Nov 01/04



Fairing Installation - Upper  
Figure 17 (Sheet 5)

**71-11-56**

ILLUSTRATED PARTS LIST  
01.1 Page 1088X  
Nov 01/04

 **BOEING**  
COMPONENT  
MAINTENANCE MANUAL

| FIG. & ITEM | PART NO.     | AIRLINE PART NUMBER | NOMENCLATURE<br>1234567   | EFF CODE   | QTY PER ASSY |
|-------------|--------------|---------------------|---|--|--------------|
| 17-<br>-1A  | 315T3305-155 |                     | FAIRING INSTL-SKIN, UPR<br>TRACK  | A-D,L<br>,Y,AF<br>,AK,A<br>P,AR,<br>BA,BE<br>BJ,BN<br>,BS,B<br>W           | RF           |
| -1B         | 315T3305-203 |                     | FAIRING INSTL-SKIN, UPR<br>TRACK  | CA,CC<br>,CT,C<br>V  | RF           |
| -1C         | 315T3305-203 |                     | FAIRING INSTL-SKIN, UPR<br>TRACK  | DS   | RF           |
| -1D         | 315T3305-205 |                     | (NHA 315T4295, REF<br>COLLECTOR CMM 78-31-47)<br>FAIRING INSTL-SKIN, UPR<br>TRACK | DS   | RF           |
| -1E         | 315T3305-207 |                     | (NHA 315T4295, REF<br>COLLECTOR CMM 78-31-47)<br>FAIRING INSTL-SKIN, UPR<br>TRACK | DS   | RF           |
| -5          | 315T3305-156 |                     | FAIRING INSTL-SKIN, UPR<br>TRACK  | E,F,H<br>,W,AA<br>,AC,A<br>H,AM,<br>AT,AV<br>BC,BG<br>,BL,B<br>Q,BU,<br>BY | RF           |
| -5A         | 315T3305-204 |                     | FAIRING INSTL-SKIN, UPR<br>TRACK  | CH,CK<br>,DA,<br>DC  | RF           |
| -5B         | 315T3305-204 |                     | FAIRING INSTL-SKIN, UPR<br>TRACK  | DU   | RF           |
| -5C         | 315T3305-206 |                     | (NHA 315T4295, REF<br>COLLECTOR CMM 78-31-47)<br>FAIRING INSTL-SKIN, UPR<br>TRACK | DU   | RF           |

**71-11-56**

ILLUSTRATED PARTS LIST  
01.1 Page 1088Y  
Nov 01/04



| FIG. & ITEM | PART NO.     | AIRLINE PART NUMBER | NOMENCLATURE   | EFF CODE  | QTY PER ASSY |
|-------------|--------------|---------------------|--|---|--------------|
| 17-5D       | 315T3305-208 |                     | 1234567<br>FAIRING INSTL-SKIN, UPR TRACK<br>(NHA 315T4295, REF COLLECTOR CMM 78-31-47) | DU  | RF           |
| 10          | BACB30VF3K5  |                     | .BOLT  | A-F, H<br>,L, W,<br>Y, AA,<br>AC, AF<br>, AH<br>AK, AM<br>, AP, A<br>R, AT,<br>AV, BA<br>, BC<br>BE, BG<br>, BJ, B<br>L, BN,<br>BQ, BS<br>, BU<br>BW, BY<br>, CA, C<br>C, CH,<br>CK, CT<br>, CV<br>DA, DC<br>, DS, D<br>U | 25           |

# 71-11-56

 ILLUSTRATED PARTS LIST  
 01.1 Page 1088Z  
 Nov 01/04

 **BOEING**  
COMPONENT  
MAINTENANCE MANUAL

| FIG. & ITEM | PART NO.    | AIRLINE PART NUMBER | NOMENCLATURE  | EFF CODE   | QTY PER ASSY |
|-------------|-------------|---------------------|---|--|--------------|
| 17-15       | BACR15FT6KE |                     | 1234567<br>.RIVET-<br>(SIZE DETERMINE ON INST)<br>(OPT ITEM 20) | A-F,H<br>,L,W<br>,Y,AA<br>,AC,AF<br>,AH<br>,AK,AM<br>,AP,A<br>,R,AT<br>,AV,BA<br>,BC<br>,BE,BG<br>,BJ,B<br>,L,BN<br>,BQ,BS<br>,BU<br>,BW,BY<br>,CA,C<br>,C,CH<br>,CK,CT<br>,CV<br>,DA,DC<br>,DS,D<br>U | 10           |

71-11-56

ILLUSTRATED PARTS LIST

01.1

Page 1089

Nov 01/04

| FIG. & ITEM | PART NO.   | AIRLINE PART NUMBER | NOMENCLATURE   | EFF CODE  | QTY PER ASSY |
|-------------|------------|---------------------|--|---|--------------|
| 17-20       | BACB30MY6K |                     | 1234567<br><br>.BOLT-<br>(SIZE DETERMINE ON INST)<br>(OPT ITEM 15) | A-F,H<br>,L,W,<br>Y,AA,<br>AC,AF<br>,AH<br>AK,AM<br>,AP,A<br>R,AT,<br>AV,BA<br>,BC<br>BE,BG<br>,BJ,B<br>L,BN,<br>BQ,BS<br>,BU<br>BW,BY<br>,CA,C<br>C,CH,<br>CK,CT<br>,CV<br>DA,DC<br>,DS,D<br>U | 10           |

# 71-11-56

 ILLUSTRATED PARTS LIST  
 01.1 Page 1090  
 Nov 01/04

 **BOEING**  
COMPONENT  
MAINTENANCE MANUAL

| FIG. & ITEM | PART NO.  | AIRLINE PART NUMBER | NOMENCLATURE<br>1234567   | EFF CODE  | QTY PER ASSY |
|-------------|-----------|---------------------|---|---|--------------|
| 17-25       | KFN600-6S |                     | .NUT-<br>(V15653)<br>(SPEC BACN10XJ6)<br>(OPT BH00309-6<br>(V27238))<br>(OPT BH00309-6S<br>(V27238))<br>(OPT KFN600-6<br>(V15653))<br>(OPT KFN600-6<br>(V56878))<br>(USED WITH ITEM 20) | A-F,H<br>,L,W,<br>Y,AA,<br>AC,AF<br>,AH<br>AK,AM<br>,AP,A<br>R,AT,<br>AV,BA<br>,BC<br>BE,BG<br>,BJ,B<br>L,BN,<br>BQ,BS<br>,BU<br>BW,BY<br>,CA,C<br>C,CH,<br>CK,CT<br>,CV<br>DA,DC<br>,DS,D<br>U | 10           |

**71-11-56**

ILLUSTRATED PARTS LIST  
01.1 Page 1090A  
Nov 01/04

| FIG. & ITEM | PART NO.    | AIRLINE PART NUMBER | NOMENCLATURE                        | EFF CODE  | QTY PER ASSY |
|-------------|-------------|---------------------|-------------------------------------|---|--------------|
| 17-30       | BACR15FT5KE |                     | .RIVET-<br>(SIZE DETERMINE ON INST) | A-F,H<br>,L,W,<br>,Y,AA,<br>,AC,AF<br>,AH<br>,AK,AM<br>,AP,A<br>,R,AT,<br>,AV,BA<br>,BC<br>,BE,BG<br>,BJ,B<br>,L,BN,<br>,BQ,BS<br>,BU<br>,BW,BY<br>,CA,C<br>,C,CH,<br>,CK,CT<br>,CV<br>,DA,DC<br>,DS,D<br>U | 2            |
| 35          | 315T3305-79 |                     | .SUPPORT ASSY                       | A-D,L<br>,Y,AF<br>,AK,A<br>,P,AR,<br>,BA,BE<br>,BJ,BN<br>,BS,B<br>,W,CA,<br>,CC,CT<br>,CV<br>DS   | 1            |

# 71-11-56

 ILLUSTRATED PARTS LIST  
 01.1 Page 1090B  
 Nov 01/04

**BOEING**  
COMPONENT  
MAINTENANCE MANUAL

| FIG. & ITEM | PART NO.    | AIRLINE PART NUMBER | NOMENCLATURE                         | EFF CODE   | QTY PER ASSY |
|-------------|-------------|---------------------|--------------------------------------|--|--------------|
| 17-40       | 315T3305-80 |                     | .SUPPORT ASSY                        | E, F, H<br>, W, AA<br>, AC, A<br>H, AM,<br>AT, AV<br>BC, BG<br>, BL, B<br>Q, BU,<br>BY, CH<br>, CK<br>DA, DC<br>, DU   | 1            |
| 45          | BACR15BA3AD |                     | ..RIVET-<br>(SIZE DETERMINE ON INST) | A-F, H<br>, L, W,<br>Y, AA,<br>AC, AF<br>, AH<br>AK, AM<br>, AP, A<br>R, AT,<br>AV, BA<br>, BC<br>BE, BG<br>, BJ, B<br>L, BN,<br>BQ, BS<br>, BU<br>BW, BY<br>, CA, C<br>C, CH,<br>CK, CT<br>, CV<br>DA, DC<br>, DS, D<br>U | 2            |

71-11-56

ILLUSTRATED PARTS LIST  
01.1 Page 1090C  
Nov 01/04

| FIG. & ITEM | PART NO.       | AIRLINE PART NUMBER | NOMENCLATURE   | EFF CODE  | QTY PER ASSY |
|-------------|----------------|---------------------|--|---|--------------|
| 17-50       | NS103191SE02-2 |                     | 1234567<br>..NUTPLATE-<br>(V80539)<br>(SPEC BACN10KE3B2CM)<br>(OPT F51747-3-2DL<br>(V15653))<br>(OPT 104F9213-2-3<br>(V72962))<br>(OPT BRFR220C3-2M<br>(V52825)) | A-F,H<br>,L,W,<br>Y,AA,<br>AC,AF<br>,AH<br>AK,AM<br>,AP,A<br>R,AT,<br>AV,BA<br>,BC<br>BE,BG<br>,BJ,B<br>L,BN,<br>BQ,BS<br>,BU<br>BW,BY<br>,CA,C<br>C,CH,<br>CK,CT<br>,CV<br>DA,DC<br>,DS,D<br>U | 1            |
| 55          | 315T3305-81    |                     | ..SUPPORT  | A-D,L<br>,Y,AF<br>,AK,A<br>P,AR,<br>BA,BE<br>BJ,BN<br>,BS,B<br>W,CA,<br>CC,CT<br>,CV<br>DS  | 1            |

# 71-11-56

 ILLUSTRATED PARTS LIST  
 01.1 Page 1090D  
 Nov 01/04

**BOEING**  
COMPONENT  
MAINTENANCE MANUAL

| FIG. & ITEM | PART NO.    | AIRLINE PART NUMBER | NOMENCLATURE         | EFF CODE   | QTY PER ASSY |
|-------------|-------------|---------------------|----------------------|--|--------------|
| 17-60       | 315T3305-82 |                     | 1234567<br>..SUPPORT | E,F,H<br>,W,AA<br>,AC,A<br>H,AM<br>AT,AV<br>BC,BG<br>,BL,B<br>Q,BU<br>BY,CH<br>,CK<br>DA,DC<br>,DU                                 | 1            |
| 65          | BACB30MY5K5 |                     | .BOLT-<br>(LIMITED)  | A-F,H<br>,L,W<br>Y,AA<br>AC,AF<br>,AH<br>AK,AM<br>,AP,A<br>R,AT<br>AV,BA<br>,BC<br>BE,BG<br>,BJ,B<br>L,BN<br>BQ,BS<br>,BU<br>BW,BY | 2            |
| -65A        | BACB30MY5K7 |                     | .BOLT-<br>(LIMITED)  | A-F,H<br>,L,W<br>Y,AA<br>AC,AF<br>,AH<br>AK,AM<br>,AP,A<br>R,AT<br>AV,BA<br>,BC<br>BE,BG<br>,BJ,B<br>L,BN<br>BQ,BS<br>,BU<br>BW,BY | 2            |

71-11-56

ILLUSTRATED PARTS LIST  
01.1 Page 1090E  
Nov 01/04



| FIG. & ITEM | PART NO.    | AIRLINE PART NUMBER | NOMENCLATURE<br>1234567  | EFF CODE  | QTY PER ASSY |
|-------------|-------------|---------------------|--|---|--------------|
| 17-<br>-65B | BACB30MY5K7 |                     | .BOLT  | CA,CC<br>,CH,C<br>K,CT,<br>CV,DA<br>,DC<br>DS,DU  | 2            |
| 67          | HL70-5      |                     | .COLLAR-<br>(V5M902)<br>(SPEC BACC30M5)<br>(OPT HL70-5<br>(V73197))<br>(OPT HL70-5<br>(V92215))<br>(OPT 66014-5<br>(V56878))<br>(OPT HL70-5<br>(V56878)) | A-F,H<br>,L,W,<br>Y,AA,<br>AC,AF<br>,AH<br>AK,AM<br>,AP,A<br>R,AT,<br>AV,BA<br>,BC<br>BE,BG<br>,BJ,B<br>L,BN,<br>BQ,BS<br>,BU<br>BW,BY<br>,CA,C<br>C,CH,<br>CK,CT<br>,CV<br>DA,DC<br>,DS,D<br>U | 2            |

# 71-11-56

 ILLUSTRATED PARTS LIST  
 01.1 Page 1090F  
 Nov 01/04

| FIG. & ITEM | PART NO.     | AIRLINE PART NUMBER | NOMENCLATURE<br>1234567 | EFF CODE   | QTY PER ASSY |
|-------------|--------------|---------------------|-------------------------|--|--------------|
| 17-70       | 315T3305-157 |                     | .TEE-EXTRUDED (LIMITED) | A-F,H<br>,L,W,<br>Y,AA,<br>AC,AF<br>,AH<br>AK,AM<br>,AP,A<br>R,AT,<br>AV,BA<br>,BC<br>BE,BG<br>,BJ,B<br>L,BN,<br>BQ,BS<br>,BU<br>BW,BY | 1            |
| -70A        | 315T3305-175 |                     | .TEE-EXTRUDED (LIMITED) | A-F,H<br>,L,W,<br>Y,AA,<br>AC,AF<br>,AH<br>AK,AM<br>,AP,A<br>R,AT,<br>AV,BA<br>,BC<br>BE,BG<br>,BJ,B<br>L,BN,<br>BQ,BS<br>,BU<br>BW,BY | 1            |
| -70B        | 315T3305-175 |                     | .TEE-EXTRUDED           | CA,CC<br>,CH,C<br>K,CT,<br>CV,DA<br>,DC<br>DS,DU   | 1            |

71-11-56

| FIG. & ITEM | PART NO.     | AIRLINE PART NUMBER | NOMENCLATURE                 | EFF CODE   | QTY PER ASSY |
|-------------|--------------|---------------------|------------------------------|--|--------------|
| 17-75       | 315T3305-176 |                     | . FILLER                     | A-F, H<br>, L, W,<br>, Y, AA,<br>, AC, AF<br>, AH<br>, AK, AM<br>, AP, A<br>, R, AT,<br>, AV, BA<br>, BC<br>, BE, BG<br>, BJ, B<br>, L, BN,<br>, BQ, BS<br>, BU<br>, BW, BY<br>, CA, C<br>, C, CH,<br>, CK, CT<br>, CV<br>, DA, DC<br>, DS, D<br>U | 2            |
| 80          | 315T3305-75  |                     | . SUPPORT ASSY-<br>(LIMITED) | A-D, L<br>, Y, AF<br>, AK, A<br>, P, AR,<br>, BA, BE<br>, BJ, BN<br>, BS, B<br>W   | 1            |
| -80A        | 315T3305-189 |                     | . SUPPORT ASSY-<br>(LIMITED) | A-D, L<br>, Y, AF<br>, AK, A<br>, P, AR,<br>, BA, BE<br>, BJ, BN<br>, BS, B<br>W   | 1            |
| -80B        | 315T3305-189 |                     | . SUPPORT ASSY               | CA, CC<br>, CH, C<br>K, DS   | 1            |

# 71-11-56

 ILLUSTRATED PARTS LIST  
 01.1 Page 1090H  
 Nov 01/04

**BOEING**  
COMPONENT  
MAINTENANCE MANUAL

| FIG. & ITEM | PART NO.     | AIRLINE PART NUMBER | NOMENCLATURE<br>1234567              | EFF CODE  | QTY PER ASSY |
|-------------|--------------|---------------------|--------------------------------------|---|--------------|
| 17-<br>-85  | 315T3305-76  |                     | .SUPPORT ASSY-<br>(LIMITED)          | E,F,H<br>,W,AA<br>,AC,A<br>H,AM,<br>AT,AV<br>BC,BG<br>,BL,B<br>Q,BU,<br>BY  | 1            |
| -85A        | 315T3305-190 |                     | .SUPPORT ASSY-<br>(LIMITED)          | E,F,H<br>,W,AA<br>,AC,A<br>H,AM,<br>AT,AV<br>BC,BG<br>,BL,B<br>Q,BU,<br>BY  | 1            |
| -85B        | 315T3305-190 |                     | .SUPPORT ASSY                        | CT,CV<br>,DA,<br>DC,DU  | 1            |
| 90          | BACR15BA3AD  |                     | ..RIVET-<br>(SIZE DETERMINE ON INST) | A-F,H<br>,L,W,<br>Y,AA,<br>AC,AF<br>,AH<br>AK,AM<br>,AP,A<br>R,AT,<br>AV,BA<br>,BC<br>BE,BG<br>,BJ,B<br>L,BN,<br>BQ,BS<br>,BU<br>BW,BY<br>,CA,C<br>C,CH,<br>CK,CT<br>,CV<br>DA,DC<br>,DS,D<br>U | 4            |

71-11-56

ILLUSTRATED PARTS LIST  
01.1 Page 1090I  
Nov 01/04

| FIG. & ITEM | PART NO.       | AIRLINE PART NUMBER | NOMENCLATURE   | EFF CODE  | QTY PER ASSY |
|-------------|----------------|---------------------|--|---|--------------|
| 17-95       | NS103191SE02-2 |                     | 1234567<br>..NUTPLATE-<br>(V80539)<br>(SPEC BACN10KE3B2CM)<br>(OPT F51747-3-2DL<br>(V15653))<br>(OPT 104F9213-2-3<br>(V72962))<br>(OPT BRFR220C3-2M<br>(V52825)) | A-F,H<br>,L,W,<br>Y,AA,<br>AC,AF<br>,AH<br>AK,AM<br>,AP,A<br>R,AT,<br>AV,BA<br>,BC<br>BE,BG<br>,BJ,B<br>L,BN,<br>BQ,BS<br>,BU<br>BW,BY<br>,CA,C<br>C,CH,<br>CK,CT<br>,CV<br>DA,DC<br>,DS,D<br>U | 1            |

71-11-56

ILLUSTRATED PARTS LIST  
 01.1 Page 1090J  
 Nov 01/04

**BOEING**  
COMPONENT  
MAINTENANCE MANUAL

| FIG. & ITEM | PART NO.       | AIRLINE PART NUMBER | NOMENCLATURE<br>1234567   | EFF CODE  | QTY PER ASSY |
|-------------|----------------|---------------------|---|---|--------------|
| 17-100      | NS103194SE02-2 |                     | ..NUTPLATE-<br>(V80539)<br>(SPEC BACN10KE3E2CM)<br>(OPT F51751-3-2DL<br>(V15653))<br>(OPT 104F9216-2-3<br>(V72962))<br>(OPT BRFR120C3-2M<br>(V52828)) | A-F,H<br>,L,W,<br>Y,AA,<br>AC,AF<br>,AH<br>AK,AM<br>,AP,A<br>R,AT,<br>AV,BA<br>,BC<br>BE,BG<br>,BJ,B<br>L,BN,<br>BQ,BS<br>,BU<br>BW,BY<br>,CA,C<br>C,CH,<br>CK,CT<br>,CV<br>DA,DC<br>,DS,D<br>U | 1            |
| 105         | 315T3305-77    |                     | ..SUPPORT-<br>(USED ON ITEM 80)   | A-D,L<br>,Y,AF<br>,AK,A<br>P,AR,<br>BA,BE<br>BJ,BN<br>,BS,B<br>W  | 1            |
| -105A       | 315T3305-191   |                     | ..SUPPORT-<br>(USED ON ITEMS 80A, 80B)  | A-D,L<br>,Y,AF<br>,AK,A<br>P,AR,<br>BA,BE<br>BJ,BN<br>,BS,B<br>W,CA,<br>CC,CT<br>,CV<br>DS  | 1            |

**71-11-56**

ILLUSTRATED PARTS LIST  
01.1 Page 1090K  
Nov 01/04

| FIG. & ITEM | PART NO.     | AIRLINE PART NUMBER | NOMENCLATURE<br>1234567                | EFF CODE   | QTY PER ASSY |
|-------------|--------------|---------------------|--|--|--------------|
| 17-<br>-110 | 315T3305-78  |                     | ..SUPPORT-<br>(USED ON ITEM 85)        | E,F,H<br>,W,AA<br>,AC,A<br>H,AM,<br>AT,AV<br>BC,BG<br>,BL,B<br>Q,BU,<br>BY                           | 1            |
| -110A       | 315T3305-192 |                     | ..SUPPORT-<br>(USED ON ITEMS 85A, 85B) | E,F,H<br>,W,AA<br>,AC,A<br>H,AM,<br>AT,AV<br>BC,BG<br>,BL,B<br>Q,BU,<br>BY,CH<br>,CK<br>DA,DC<br>,DU | 1            |
| 115         | 315T3305-71  |                     | .SUPPORT ASSY-<br>(LIMITED)            | A-D,L<br>,Y,AF<br>,AK,A<br>P,AR,<br>BA,BE<br>BJ,BN<br>,BS,B<br>W                                     | 1            |
| -115A       | 315T3305-185 |                     | .SUPPORT ASSY-<br>(LIMITED)            | A-D,L<br>,Y,AF<br>,AK,A<br>P,AR,<br>BA,BE<br>BJ,BN<br>,BS,B<br>W                                     | 1            |
| -115B       | 315T3305-185 |                     | .SUPPORT ASSY                          | CA,CC<br>,CT,C<br>V,DS   | 1            |

# 71-11-56

 ILLUSTRATED PARTS LIST  
 01.1 Page 1090L  
 Nov 01/04

**BOEING**  
COMPONENT  
MAINTENANCE MANUAL

| FIG. & ITEM | PART NO.     | AIRLINE PART NUMBER | NOMENCLATURE<br>1234567              | EFF CODE   | QTY PER ASSY |
|-------------|--------------|---------------------|--------------------------------------|--|--------------|
| 17-<br>-120 | 315T3305-72  |                     | .SUPPORT ASSY-<br>(LIMITED)          | E, F, H<br>, W, AA<br>, AC, A<br>H, AM,<br>AT, AV<br>BC, BG<br>, BL, B<br>Q, BU,<br>BY   | 1            |
| -120A       | 315T3305-186 |                     | .SUPPORT ASSY-<br>(LIMITED)          | E, F, H<br>, W, AA<br>, AC, A<br>H, AM,<br>AT, AV<br>BC, BG<br>, BL, B<br>Q, BU,<br>BY   | 1            |
| -120B       | 315T3305-186 |                     | .SUPPORT ASSY                        | CH, CK<br>, DA,<br>DC, DU  | 1            |
| 125         | BACR15BA3D   |                     | ..RIVET-<br>(SIZE DETERMINE ON INST) | A-F, H<br>, L, W,<br>Y, AA,<br>AC, AF<br>, AH<br>AK, AM<br>, AP, A<br>R, AT,<br>AV, BA<br>, BC<br>BE, BG<br>, BJ, B<br>L, BN,<br>BQ, BS<br>, BU<br>BW, BY<br>, CA, C<br>C, CH,<br>CK, CT<br>, CV<br>DA, DC<br>, DS, D<br>U | 4            |

71-11-56

ILLUSTRATED PARTS LIST  
01.1 Page 1090M  
Nov 01/04



| FIG. & ITEM | PART NO.       | AIRLINE PART NUMBER | NOMENCLATURE<br>1234567   | EFF CODE  | QTY PER ASSY |
|-------------|----------------|---------------------|---|---|--------------|
| 17-130      | NS103191SE02-2 |                     | ..NUTPLATE-<br>(V80539)<br>(SPEC BACN10KE3B2CM)<br>(OPT F51747-3-2DL<br>(V15653))<br>(OPT 104F9213-2-3<br>(V72962))<br>(OPT BRFR220C3-2M<br>(V52825)) | A-F,H<br>,L,W,<br>Y,AA,<br>AC,AF<br>,AH<br>AK,AM<br>,AP,A<br>R,AT,<br>AV,BA<br>,BC<br>BE,BG<br>,BJ,B<br>L,BN,<br>BQ,BS<br>,BU<br>BW,BY<br>,CA,C<br>C,CH,<br>CK,CT<br>,CV<br>DA,DC<br>,DS,D<br>U | 1            |

# 71-11-56

 ILLUSTRATED PARTS LIST  
 01.1 Page 1090N  
 Nov 01/04

 **BOEING**  
COMPONENT  
MAINTENANCE MANUAL

| FIG. & ITEM | PART NO.       | AIRLINE PART NUMBER | NOMENCLATURE<br>1234567   | EFF CODE  | QTY PER ASSY |
|-------------|----------------|---------------------|---|---|--------------|
| 17-135      | NS103194SE02-2 |                     | ..NUTPLATE-<br>(V80539)<br>(SPEC BACN10KE3E2CM)<br>(OPT F51751-3-2DL<br>(V15653))<br>(OPT 104F9216-2-3<br>(V72962))<br>(OPT BRFR120C3-2M<br>(V52828)) | A-F,H<br>,L,W,<br>Y,AA,<br>AC,AF<br>,AH<br>AK,AM<br>,AP,A<br>R,AT,<br>AV,BA<br>,BC<br>BE,BG<br>,BJ,B<br>L,BN,<br>BQ,BS<br>,BU<br>BW,BY<br>,CA,C<br>C,CH,<br>CK,CT<br>,CV<br>DA,DC<br>,DS,D<br>U | 1            |
| 140         | 315T3305-73    |                     | ..SUPPORT-<br>(USED ON ITEM 115)  | A-D,L<br>,Y,AF<br>,AK,A<br>P,AR,<br>BA,BE<br>BJ,BN<br>,BS,B<br>W  | 1            |
| -140A       | 315T3305-187   |                     | ..SUPPORT-<br>(USED ON ITEMS 115A,<br>115B)   | A-D,L<br>,Y,AF<br>,AK,A<br>P,AR,<br>BA,BE<br>BJ,BN<br>,BS,B<br>W,CA,<br>CC,CT<br>,CV<br>DS  | 1            |

**71-11-56**

ILLUSTRATED PARTS LIST  
01.1 Page 10900  
Nov 01/04

| FIG. & ITEM | PART NO.     | AIRLINE PART NUMBER | NOMENCLATURE<br>1234567                     | EFF CODE   | QTY PER ASSY |
|-------------|--------------|---------------------|---|--|--------------|
| 17-<br>-145 | 315T3305-74  |                     | ..SUPPORT-<br>(USED ON ITEM 120)            | E,F,H<br>,W,AA<br>,AC,A<br>H,AM,<br>AT,AV<br>BC,BG<br>,BL,B<br>Q,BU,<br>BY                           | 1            |
| -145A       | 315T3305-188 |                     | ..SUPPORT-<br>(USED ON ITEMS 120A,<br>120B) | E,F,H<br>,W,AA<br>,AC,A<br>H,AM,<br>AT,AV<br>BC,BG<br>,BL,B<br>Q,BU,<br>BY,CH<br>,CK<br>DA,DC<br>,DU | 1            |
| 150         | 315T3305-67  |                     | .SUPPORT ASSY-<br>(LIMITED)                 | A-D,L<br>,Y,AF<br>,AK,A<br>P,AR,<br>BA,BE<br>BJ,BN<br>,BS,B<br>W                                     | 1            |
| -150A       | 315T3305-197 |                     | .SUPPORT ASSY-<br>(LIMITED)                 | A-D,L<br>,Y,AF<br>,AK,A<br>P,AR,<br>BA,BE<br>BJ,BN<br>,BS,B<br>W                                     | 1            |
| -150B       | 315T3305-197 |                     | .SUPPORT ASSY                               | CA,CC<br>,CT,C<br>V,DS   | 1            |

# 71-11-56

 ILLUSTRATED PARTS LIST  
 01.1 Page 1090P  
 Nov 01/04

| FIG. & ITEM | PART NO.     | AIRLINE PART NUMBER | NOMENCLATURE<br>1234567              | EFF CODE   | QTY PER ASSY |
|-------------|--------------|---------------------|--------------------------------------|--|--------------|
| 17-<br>-155 | 315T3305-68  |                     | .SUPPORT ASSY-<br>(LIMITED)          | E, F, H<br>, W, AA<br>, AC, A<br>H, AM,<br>AT, AV<br>BC, BG<br>, BL, B<br>Q, BU,<br>BY   | 1            |
| -155A       | 315T3305-198 |                     | .SUPPORT ASSY-<br>(LIMITED)          | E, F, H<br>, W, AA<br>, AC, A<br>H, AM,<br>AT, AV<br>BC, BG<br>, BL, B<br>Q, BU,<br>BY   | 1            |
| -155B       | 315T3305-198 |                     | .SUPPORT ASSY                        | CH, CK<br>, DA,<br>DC, DU<br>A-F, H  | 1            |
| 160         | BACR15BA3D   |                     | ..RIVET-<br>(SIZE DETERMINE ON INST) | , L, W,<br>Y, AA,<br>AC, AF<br>, AH<br>AK, AM<br>, AP, A<br>R, AT,<br>AV, BA<br>, BC<br>BE, BG<br>, BJ, B<br>L, BN,<br>BQ, BS<br>, BU<br>BW, BY<br>, CA, C<br>C, CH,<br>CK, CT<br>, CV<br>DA, DC<br>, DS, D<br>U | 4            |

71-11-56

| FIG. & ITEM | PART NO.       | AIRLINE PART NUMBER | NOMENCLATURE   | EFF CODE  | QTY PER ASSY |
|-------------|----------------|---------------------|--|---|--------------|
| 17-165      | NS103191SE02-2 |                     | 1234567<br>..NUTPLATE-<br>(V80539)<br>(SPEC BACN10KE3B2CM)<br>(OPT F51747-3-2DL<br>(V15653))<br>(OPT 104F9213-2-3<br>(V72962))<br>(OPT BRFR220C3-2M<br>(V52825)) | A-F,H<br>,L,W,<br>Y,AA,<br>AC,AF<br>,AH<br>AK,AM<br>,AP,A<br>R,AT,<br>AV,BA<br>,BC<br>BE,BG<br>,BJ,B<br>L,BN,<br>BQ,BS<br>,BU<br>BW,BY<br>,CA,C<br>C,CH,<br>CK,CT<br>,CV<br>DA,DC<br>,DS,D<br>U | 1            |

# 71-11-56

 ILLUSTRATED PARTS LIST  
 01.1 Page 1090R  
 Nov 01/04

 **BOEING**  
COMPONENT  
MAINTENANCE MANUAL

| FIG. & ITEM | PART NO.       | AIRLINE PART NUMBER | NOMENCLATURE<br>1234567   | EFF CODE  | QTY PER ASSY |
|-------------|----------------|---------------------|---|---|--------------|
| 17-170      | NS103194SE02-2 |                     | ..NUTPLATE-<br>(V80539)<br>(SPEC BACN10KE3E2CM)<br>(OPT F51751-3-2DL<br>(V15653))<br>(OPT 104F9216-2-3<br>(V72962))<br>(OPT BRFR120C3-2M<br>(V52828)) | A-F,H<br>,L,W,<br>Y,AA,<br>AC,AF<br>,AH<br>AK,AM<br>,AP,A<br>R,AT,<br>AV,BA<br>,BC<br>BE,BG<br>,BJ,B<br>L,BN,<br>BQ,BS<br>,BU<br>BW,BY<br>,CA,C<br>C,CH,<br>CK,CT<br>,CV<br>DA,DC<br>,DS,D<br>U | 1            |
| 175         | 315T3305-69    |                     | ..SUPPORT-<br>(USED ON ITEM 150)  | A-D,L<br>,Y,AF<br>,AK,A<br>P,AR,<br>BA,BE<br>BJ,BN<br>,BS,B<br>W  | 1            |
| -175A       | 315T3305-199   |                     | ..SUPPORT-<br>(USED ON ITEMS 150A,<br>150B)   | A-D,L<br>,Y,AF<br>,AK,A<br>P,AR,<br>BA,BE<br>BJ,BN<br>,BS,B<br>W,CA,<br>CC,CT<br>,CV<br>DS  | 1            |

71-11-56

ILLUSTRATED PARTS LIST  
01.1 Page 1090S  
Nov 01/04

| FIG. & ITEM | PART NO.     | AIRLINE PART NUMBER | NOMENCLATURE                                | EFF CODE  | QTY PER ASSY |
|-------------|--------------|---------------------|---|---|--------------|
| 17-<br>-180 | 315T3305-70  |                     | 1234567<br>..SUPPORT-<br>(USED ON ITEM 155) | E,F,H<br>,W,AA<br>,AC,A<br>H,AM,<br>AT,AV<br>BC,BG<br>,BL,B<br>Q,BU,<br>BY  | 1            |
| -180A       | 315T3305-200 |                     | ..SUPPORT-<br>(USED ON ITEMS 155A,<br>155B) | E,F,H<br>,W,AA<br>,AC,A<br>H,AM,<br>AT,AV<br>BC,BG<br>,BL,B<br>Q,BU,<br>BY,CH<br>,CK<br>DA,DC<br>,DU  | 1            |
| 185         | BACR15FT6KE  |                     | .RIVET-<br>(SIZE DETERMINE ON INST)         | A-F,H<br>,L,W,<br>Y,AA,<br>AC,AF<br>,AH<br>AK,AM<br>,AP,A<br>R,AT,<br>AV,BA<br>,BC<br>BE,BG<br>,BJ,B<br>L,BN,<br>BQ,BS<br>,BU<br>BW,BY<br>,CA,C<br>C,CH,<br>CK,CT<br>,CV<br>DA,DC<br>,DS,D<br>U | 2            |

# 71-11-56

 ILLUSTRATED PARTS LIST  
 01.1 Page 1090T  
 Nov 01/04

**BOEING**  
COMPONENT  
MAINTENANCE MANUAL

| FIG. & ITEM | PART NO.     | AIRLINE PART NUMBER | NOMENCLATURE<br>1234567     | EFF CODE  | QTY PER ASSY |
|-------------|--------------|---------------------|-----------------------------|---|--------------|
| 17-190      | 315T3305-159 |                     | .ANGLE                      | A-F,H<br>,L,W,<br>Y,AA,<br>AC,AF<br>,AH<br>AK,AM<br>,AP,A<br>R,AT,<br>AV,BA<br>,BC<br>BE,BG<br>,BJ,B<br>L,BN,<br>BQ,BS<br>,BU<br>BW,BY<br>,CA,C<br>C,CH,<br>CK,CT<br>,CV<br>DA,DC<br>,DS,D<br>U | 1            |
| 195         | 315T3305-63  |                     | .SUPPORT ASSY-<br>(LIMITED) | A-D,L<br>,Y,AF<br>,AK,A<br>P,AR,<br>BA,BE<br>BJ,BN<br>,BS,B<br>W  | 1            |
| -195A       | 315T3305-201 |                     | .SUPPORT ASSY-<br>(LIMITED) | A-D,L<br>,Y,AF<br>,AK,A<br>P,AR,<br>BA,BE<br>BJ,BN<br>,BS,B<br>W  | 1            |
| -195B       | 315T3305-201 |                     | .SUPPORT ASSY               | CA,CC<br>,CT,C<br>V,DS  | 1            |

**71-11-56**

ILLUSTRATED PARTS LIST  
01.1 Page 1090U  
Nov 01/04



| FIG. & ITEM | PART NO.     | AIRLINE PART NUMBER | NOMENCLATURE<br>1234567              | EFF CODE  | QTY PER ASSY |
|-------------|--------------|---------------------|--------------------------------------|---|--------------|
| 17-<br>-200 | 315T3305-64  |                     | .SUPPORT ASSY-<br>(LIMITED)          | E,F,H<br>,W,AA<br>,AC,A<br>H,AM,<br>AT,AV<br>BC,BG<br>,BL,B<br>Q,BU,<br>BY  | 1            |
| -200A       | 315T3305-202 |                     | .SUPPORT ASSY-<br>(LIMITED)          | E,F,H<br>,W,AA<br>,AC,A<br>H,AM,<br>AT,AV<br>BC,BG<br>,BL,B<br>Q,BU,<br>BY  | 1            |
| -200B       | 315T3305-202 |                     | .SUPPORT ASSY                        | CH,CK<br>,DA,<br>DC,DU  | 1            |
| 205         | BACR15BA3D   |                     | ..RIVET-<br>(SIZE DETERMINE ON INST) | A-F,H<br>,L,W,<br>Y,AA,<br>AC,AF<br>,AH<br>AK,AM<br>,AP,A<br>R,AT,<br>AV,BA<br>,BC<br>BE,BG<br>,BJ,B<br>L,BN,<br>BQ,BS<br>,BU<br>BW,BY<br>,CA,C<br>C,CH,<br>CK,CT<br>,CV<br>DA,DC<br>,DS,D<br>U | 4            |

# 71-11-56

 ILLUSTRATED PARTS LIST  
 01.1 Page 1090V  
 Nov 01/04

 **BOEING**  
COMPONENT  
MAINTENANCE MANUAL

| FIG. & ITEM | PART NO.       | AIRLINE PART NUMBER | NOMENCLATURE<br>1234567   | EFF CODE  | QTY PER ASSY |
|-------------|----------------|---------------------|---|---|--------------|
| 17-210      | NS103191SE02-2 |                     | ..NUTPLATE-<br>(V80539)<br>(SPEC BACN10KE3B2CM)<br>(OPT F51747-3-2DL<br>(V15653))<br>(OPT 104F9213-2-3<br>(V72962))<br>(OPT BRFR220C3-2M<br>(V52825)) | A-F,H<br>,L,W,<br>Y,AA,<br>AC,AF<br>,AH<br>AK,AM<br>,AP,A<br>R,AT,<br>AV,BA<br>,BC<br>BE,BG<br>,BJ,B<br>L,BN,<br>BQ,BS<br>,BU<br>BW,BY<br>,CA,C<br>C,CH,<br>CK,CT<br>,CV<br>DA,DC<br>,DS,D<br>U | 1            |

**71-11-56**

ILLUSTRATED PARTS LIST  
01.1 Page 1090W  
Nov 01/04

| FIG. & ITEM | PART NO.       | AIRLINE PART NUMBER | NOMENCLATURE   | EFF CODE  | QTY PER ASSY |
|-------------|----------------|---------------------|--|---|--------------|
| 17-215      | NS103194SE02-2 |                     | 1234567<br>..NUTPLATE-<br>(V80539)<br>(SPEC BACN10KE3E2CM)<br>(OPT F51751-3-2DL<br>(V15653))<br>(OPT 104F9216-2-3<br>(V72962))<br>(OPT BRFR120C3-2M<br>(V52828)) | A-F,H<br>,L,W,<br>Y,AA,<br>AC,AF<br>,AH<br>AK,AM<br>,AP,A<br>R,AT,<br>AV,BA<br>,BC<br>BE,BG<br>,BJ,B<br>L,BN,<br>BQ,BS<br>,BU<br>BW,BY<br>,CA,C<br>C,CH,<br>CK,CT<br>,CV<br>DA,DC<br>,DS,D<br>U | 1            |
| 220         | 315T3305-65    |                     | ..SUPPORT-<br>(USED ON ITEM 195)   | A-D,L<br>,Y,AF<br>,AK,A<br>P,AR,<br>BA,BE<br>BJ,BN<br>,BS,B<br>W  | 1            |
| -220A       | 315T3305-183   |                     | ..SUPPORT-<br>(USED ON ITEMS 195A,<br>195B)  | A-D,L<br>,Y,AF<br>,AK,A<br>P,AR,<br>BA,BE<br>BJ,BN<br>,BS,B<br>W,CA,<br>CC,CT<br>,CV<br>DS  | 1            |

# 71-11-56

 ILLUSTRATED PARTS LIST  
 01.1 Page 1090X  
 Nov 01/04

 **BOEING**  
COMPONENT  
MAINTENANCE MANUAL

| FIG. & ITEM | PART NO.     | AIRLINE PART NUMBER | NOMENCLATURE                                | EFF CODE   | QTY PER ASSY |
|-------------|--------------|---------------------|---|--|--------------|
| 17-<br>-225 | 315T3305-66  |                     | 1234567<br>..SUPPORT-<br>(USED ON ITEM 200) | E,F,H<br>,W,AA<br>,AC,A<br>H,AM,<br>AT,AV<br>BC,BG<br>,BL,B<br>Q,BU,<br>BY   | 1            |
| -225A       | 315T3305-184 |                     | ..SUPPORT-<br>(USED ON ITEMS 200A,<br>200B) | E,F,H<br>,W,AA<br>,AC,A<br>H,AM,<br>AT,AV<br>BC,BG<br>,BL,B<br>Q,BU,<br>BY,CH<br>,CK<br>DA,DC<br>,DU<br>A-D,L<br>,Y,AF<br>,AK,A<br>P,AR,<br>BA,BE<br>BJ,BN<br>,BS,B<br>W | 1            |
| 230         | 315T3305-59  |                     | .SUPPORT ASSY-<br>(LIMITED)                 |  | 1            |

71-11-56

ILLUSTRATED PARTS LIST  
01.1 Page 1090Y  
Nov 01/04

| FIG. & ITEM  | PART NO.     | AIRLINE PART NUMBER | NOMENCLATURE<br>1234567     | EFF CODE   | QTY PER ASSY |
|--------------|--------------|---------------------|-----------------------------|--|--------------|
| 17-<br>-230A | 315T3305-193 |                     | .SUPPORT ASSY-<br>(LIMITED) | A-D,L<br>,Y,AF<br>,AK,A<br>P,AR,<br>BA,BE<br>BJ,BN<br>,BS,B<br>W           | 1            |
| -230B        | 315T3305-193 |                     | .SUPPORT ASSY               | CA,CC<br>,CT,C<br>V,DS   | 1            |
| -235         | 315T3305-60  |                     | .SUPPORT ASSY-<br>(LIMITED) | E,F,H<br>,W,AA<br>,AC,A<br>H,AM,<br>AT,AV<br>BC,BG<br>,BL,B<br>Q,BU,<br>BY | 1            |
| -235A        | 315T3305-194 |                     | .SUPPORT ASSY-<br>(LIMITED) | E,F,H<br>,W,AA<br>,AC,A<br>H,AM,<br>AT,AV<br>BC,BG<br>,BL,B<br>Q,BU,<br>BY | 1            |
| -235B        | 315T3305-194 |                     | .SUPPORT ASSY               | CH,CK<br>,DA,<br>DC,DU   | 1            |

# 71-11-56

 ILLUSTRATED PARTS LIST  
 01.1 Page 1090Z  
 Nov 01/04

 **BOEING**  
COMPONENT  
MAINTENANCE MANUAL

| FIG. & ITEM | PART NO.   | AIRLINE PART NUMBER | NOMENCLATURE                                    | EFF CODE  | QTY PER ASSY |
|-------------|------------|---------------------|---|---|--------------|
| 17-240      | BACR15BA3D |                     | 1234567<br>..RIVET-<br>(SIZE DETERMINE ON INST) | A-F,H<br>,L,W,<br>Y,AA,<br>AC,AF<br>,AH<br>AK,AM<br>,AP,A<br>R,AT,<br>AV,BA<br>,BC<br>BE,BG<br>,BJ,B<br>L,BN,<br>BQ,BS<br>,BU<br>BW,BY<br>,CA,C<br>C,CH,<br>CK,CT<br>,CV<br>DA,DC<br>,DS,D<br>U | 4            |

71-11-56

ILLUSTRATED PARTS LIST

01.1

Page 1091

Nov 01/04

| FIG. & ITEM | PART NO.       | AIRLINE PART NUMBER | NOMENCLATURE<br>1234567   | EFF CODE  | QTY PER ASSY |
|-------------|----------------|---------------------|---|---|--------------|
| 17-245      | NS103191SE02-2 |                     | ..NUTPLATE-<br>(V80539)<br>(SPEC BACN10KE3B2CM)<br>(OPT F51747-3-2DL<br>(V15653))<br>(OPT 104F9213-2-3<br>(V72962))<br>(OPT BRFR220C3-2M<br>(V52825)) | A-F,H<br>,L,W,<br>Y,AA,<br>AC,AF<br>,AH<br>AK,AM<br>,AP,A<br>R,AT,<br>AV,BA<br>,BC<br>BE,BG<br>,BJ,B<br>L,BN,<br>BQ,BS<br>,BU<br>BW,BY<br>,CA,C<br>C,CH,<br>CK,CT<br>,CV<br>DA,DC<br>,DS,D<br>U | 1            |

# 71-11-56

 ILLUSTRATED PARTS LIST  
 01.1 Page 1092  
 Nov 01/04

**BOEING**  
COMPONENT  
MAINTENANCE MANUAL

| FIG. & ITEM | PART NO.       | AIRLINE PART NUMBER | NOMENCLATURE   | EFF CODE  | QTY PER ASSY |
|-------------|----------------|---------------------|--|---|--------------|
| 17-250      | NS103194SE02-2 |                     | 1234567<br>..NUTPLATE-<br>(V80539)<br>(SPEC BACN10KE3E2CM)<br>(OPT F51751-3-2DL<br>(V15653))<br>(OPT 104F9216-2-3<br>(V72962))<br>(OPT BRFR120C3-2M<br>(V52828)) | A-F,H<br>,L,W,<br>Y,AA,<br>AC,AF<br>,AH<br>AK,AM<br>,AP,A<br>R,AT,<br>AV,BA<br>,BC<br>BE,BG<br>,BJ,B<br>L,BN,<br>BQ,BS<br>,BU<br>BW,BY<br>,CA,C<br>C,CH,<br>CK,CT<br>,CV<br>DA,DC<br>,DS,D<br>U | 1            |
| 255         | 315T3305-61    |                     | ..SUPPORT-<br>(USED ON ITEM 230)   | A-D,L<br>,Y,AF<br>,AK,A<br>P,AR,<br>BA,BE<br>BJ,BN<br>,BS,B<br>W  | 1            |

71-11-56

ILLUSTRATED PARTS LIST  
01.1 Page 1092A  
Nov 01/04



| FIG. & ITEM  | PART NO.     | AIRLINE PART NUMBER | NOMENCLATURE   | EFF CODE   | QTY PER ASSY |
|--------------|--------------|---------------------|--|--|--------------|
| 17-<br>-255A | 315T3305-195 |                     | 1234567<br>..SUPPORT-<br>(USED ON ITEMS 230A,<br>230B) | A-D,L<br>,Y,AF<br>,AK,A<br>P,AR,<br>BA,BE<br>BJ,BN<br>,BS,B<br>W,CA,<br>CC,CT<br>,CV<br>DS           | 1            |
| -260         | 315T3305-62  |                     | ..SUPPORT-<br>(USED ON ITEM 235)                       | E,F,H<br>,W,AA<br>,AC,A<br>H,AM,<br>AT,AV<br>BC,BG<br>,BL,B<br>Q,BU,<br>BY                           | 1            |
| -260A        | 315T3305-196 |                     | ..SUPPORT-<br>(USED ON ITEMS 235A,<br>235B)            | E,F,H<br>,W,AA<br>,AC,A<br>H,AM,<br>AT,AV<br>BC,BG<br>,BL,B<br>Q,BU,<br>BY,CH<br>,CK<br>DA,DC<br>,DU | 1            |

# 71-11-56

 ILLUSTRATED PARTS LIST  
 01.1 Page 1092B  
 Nov 01/04

 **BOEING**  
COMPONENT  
MAINTENANCE MANUAL

| FIG. & ITEM | PART NO.    | AIRLINE PART NUMBER | NOMENCLATURE                                   | EFF CODE  | QTY PER ASSY |
|-------------|-------------|---------------------|--|---|--------------|
| 17-275      | BACR15FT5KE |                     | 1234567<br>.RIVET-<br>(SIZE DETERMINE ON INST) | A-F,H<br>,L,W,<br>Y,AA,<br>AC,AF<br>,AH<br>AK,AM<br>,AP,A<br>R,AT,<br>AV,BA<br>,BC<br>BE,BG<br>,BJ,B<br>L,BN,<br>BQ,BS<br>,BU<br>BW,BY<br>,CA,C<br>C,CH,<br>CK,CT<br>,CV<br>DA,DC<br>,DS,D<br>U | 4            |

**71-11-56**

ILLUSTRATED PARTS LIST  
01.1 Page 1092C  
Nov 01/04

| FIG. & ITEM | PART NO.    | AIRLINE PART NUMBER | NOMENCLATURE                                       | EFF CODE  | QTY PER ASSY |
|-------------|-------------|---------------------|--|---|--------------|
| 17-280      | BACR15CE5KE |                     | 1234567<br><br>.RIVET-<br>(SIZE DETERMINE ON INST) | A-F,H<br>,L,W,<br>Y,AA,<br>AC,AF<br>,AH<br>AK,AM<br>,AP,A<br>R,AT,<br>AV,BA<br>,BC<br>BE,BG<br>,BJ,B<br>L,BN,<br>BQ,BS<br>,BU<br>BW,BY<br>,CA,C<br>C,CH,<br>CK,CT<br>,CV<br>DA,DC<br>,DS,D<br>U | 5            |

**71-11-56**

ILLUSTRATED PARTS LIST  
 01.1 Page 1092D  
 Nov 01/04

 **BOEING**  
COMPONENT  
MAINTENANCE MANUAL

| FIG. & ITEM | PART NO.     | AIRLINE PART NUMBER | NOMENCLATURE | EFF CODE  | QTY PER ASSY |
|-------------|--------------|---------------------|--------------|---|--------------|
| 17-285      | 315T3305-160 |                     | .ANGLE       | A-F,H<br>,L,W,<br>Y,AA,<br>AC,AF<br>,AH<br>AK,AM<br>,AP,A<br>R,AT,<br>AV,BA<br>,BC<br>BE,BG<br>,BJ,B<br>L,BN,<br>BQ,BS<br>,BU<br>BW,BY<br>,CA,C<br>C,CH,<br>CK,CT<br>,CV<br>DA,DC<br>,DS,D<br>U | 1            |

**71-11-56**

ILLUSTRATED PARTS LIST  
01.1 Page 1092E  
Nov 01/04

| FIG. & ITEM | PART NO.    | AIRLINE PART NUMBER | NOMENCLATURE                                       | EFF CODE  | QTY PER ASSY |
|-------------|-------------|---------------------|--|---|--------------|
| 17-286      | BACR15BA3AD |                     | 1234567<br><br>.RIVET-<br>(SIZE DETERMINE ON INST) | A-F,H<br>,L,W,<br>Y,AA,<br>AC,AF<br>,AH<br>AK,AM<br>,AP,A<br>R,AT,<br>AV,BA<br>,BC<br>BE,BG<br>,BJ,B<br>L,BN,<br>BQ,BS<br>,BU<br>BW,BY<br>,CA,C<br>C,CH,<br>CK,CT<br>,CV<br>DA,DC<br>,DS,D<br>U | 2            |

# 71-11-56

 ILLUSTRATED PARTS LIST  
 01.1 Page 1092F  
 Nov 01/04

**BOEING**  
COMPONENT  
MAINTENANCE MANUAL

| FIG. & ITEM | PART NO.      | AIRLINE PART NUMBER | NOMENCLATURE  | EFF CODE  | QTY PER ASSY |
|-------------|---------------|---------------------|---|---|--------------|
| 17-287      | NS202494-02-2 |                     | 1234567<br>.NUTPLATE-<br>(V80539)<br>(SPEC BACN10KE3E2CD)<br>(OPT 102F9216-2-3<br>(V72962))<br>(OPT F51751-3-2CD<br>(V15653))<br>(OPT BRFR120C3-2D<br>(V52828)) | A-F,H<br>,L,W,<br>Y,AA,<br>AC,AF<br>,AH<br>AK,AM<br>,AP,A<br>R,AT,<br>AV,BA<br>,BC<br>BE,BG<br>,BJ,B<br>L,BN,<br>BQ,BS<br>,BU<br>BW,BY<br>,CA,C<br>C,CH,<br>CK,CT<br>,CV<br>DA,DC<br>,DS,D<br>U | 1            |
| 290         | 315T3305-161  |                     | .ZEE-<br>(LIMITED)  | A-D,L<br>,Y,AF<br>,AK,A<br>P,AR,<br>BA,BE<br>BJ,BN<br>,BS,B<br>W  | 1            |
| -290A       | 315T3305-177  |                     | .ZEE-<br>(LIMITED)  | A-D,L<br>,Y,AF<br>,AK,A<br>P,AR,<br>BA,BE<br>BJ,BN<br>,BS,B<br>W  | 1            |
| -290B       | 315T3305-177  |                     | .ZEE  | CA,CC<br>,CT,C<br>V,DS  | 1            |

**71-11-56**

ILLUSTRATED PARTS LIST  
01.1 Page 1092G  
Nov 01/04

| FIG. & ITEM | PART NO.     | AIRLINE PART NUMBER | NOMENCLATURE<br>1234567 | EFF CODE  | QTY PER ASSY |
|-------------|--------------|---------------------|-------------------------|---|--------------|
| 17-<br>-295 | 315T3305-162 |                     | .ZEE-<br>(LIMITED)      | E, F, H<br>, W, AA<br>, AC, A<br>H, AM,<br>AT, AV<br>BC, BG<br>, BL, B<br>Q, BU,<br>BY                  | 1            |
| -295A       | 315T3305-178 |                     | .ZEE-<br>(LIMITED)      | E, F, H<br>, W, AA<br>, AC, A<br>H, AM,<br>AT, AV<br>BC, BG<br>, BL, B<br>Q, BU,<br>BY                  | 1            |
| -295B       | 315T3305-178 |                     | .ZEE                    | CH, CK<br>, DA,<br>DC, DU   | 1            |
| 300         | 315T3305-103 |                     | .CLIP                   | A-D, L<br>, Y, AF<br>, AK, A<br>P, AR,<br>BA, BE<br>BJ, BN<br>, BS, B<br>W, CA,<br>CC, CT<br>, CV<br>DS | 1            |

# 71-11-56

 ILLUSTRATED PARTS LIST  
 01.1 Page 1092H  
 Nov 01/04

 **BOEING**  
COMPONENT  
MAINTENANCE MANUAL

| FIG. & ITEM | PART NO.     | AIRLINE PART NUMBER | NOMENCLATURE   | EFF CODE   | QTY PER ASSY |
|-------------|--------------|---------------------|--|--|--------------|
| 17-305      | 315T3305-104 |                     | .CLIP  | E, F, H<br>, W, AA<br>, AC, A<br>H, AM,<br>AT, AV<br>BC, BG<br>, BL, B<br>Q, BU,<br>BY, CH<br>, CK<br>DA, DC<br>, DU   | 1            |
| 310         | HL11VAZ5-11  |                     | .BOLT-<br>(V60516)<br>(SPEC BACB30NW5K11)<br>(OPT HL11VAZ5-11<br>(V73197))<br>(OPT HL11VAZ5-11<br>(V92215))<br>(OPT L803-5K11<br>(V06725))<br>(OPT HL11VAZ5K11<br>(V97928))<br>(OPT B30NW5K11<br>(V97928))<br>(OPT HL11VAZ5-11<br>(V0PTK6))<br>(OPT HL11VAZ5-11<br>(V56878)) | A-F, H<br>, L, W,<br>Y, AA,<br>AC, AF<br>, AH<br>AK, AM<br>, AP, A<br>R, AT,<br>AV, BA<br>, BC<br>BE, BG<br>, BJ, B<br>L, BN,<br>BQ, BS<br>, BU<br>BW, BY<br>, CA, C<br>C, CH,<br>CK, CT<br>, CV<br>DA, DC<br>, DS, D<br>U | 2            |

71-11-56

ILLUSTRATED PARTS LIST  
01.1 Page 1092I  
Nov 01/04



| FIG. & ITEM | PART NO. | AIRLINE PART NUMBER | NOMENCLATURE<br>1234567  | EFF CODE  | QTY PER ASSY |
|-------------|----------|---------------------|--|---|--------------|
| 17-315      | HL70-5   |                     | .COLLAR-<br>(V5M902)<br>(SPEC BACC30M5)<br>(OPT HL70-5<br>(V73197))<br>(OPT HL70-5<br>(V92215))<br>(OPT 66014-5<br>(V56878))<br>(OPT HL70-5<br>(V56878)) | A-F,H<br>,L,W,<br>Y,AA,<br>AC,AF<br>,AH<br>AK,AM<br>,AP,A<br>R,AT,<br>AV,BA<br>,BC<br>BE,BG<br>,BJ,B<br>L,BN,<br>BQ,BS<br>,BU<br>BW,BY<br>,CA,C<br>C,CH,<br>CK,CT<br>,CV<br>DA,DC<br>,DS,D<br>U | 2            |

# 71-11-56

 ILLUSTRATED PARTS LIST  
 01.1 Page 1092J  
 Nov 01/04

 **BOEING**  
COMPONENT  
MAINTENANCE MANUAL

| FIG. & ITEM | PART NO.       | AIRLINE PART NUMBER | NOMENCLATURE | EFF CODE   | QTY PER ASSY |
|-------------|----------------|---------------------|--------------|--|--------------|
| 17-320      | BACF3T03C10-14 |                     | . FILLER     | A-F, H<br>, L, W,<br>Y, AA,<br>AC, AF<br>, AH<br>AK, AM<br>, AP, A<br>R, AT,<br>AV, BA<br>, BC<br>BE, BG<br>, BJ, B<br>L, BN,<br>BQ, BS<br>, BU<br>BW, BY<br>, CA, C<br>C, CH,<br>CK, CT<br>, CV<br>DA, DC<br>, DS, D<br>U | 1            |
| 325         | 315T3305-101   |                     | . SKIN       | A-D, L<br>, Y, AF<br>, AK, A<br>P, AR,<br>BA, BE<br>BJ, BN<br>, BS, B<br>W, CA,<br>CC, CT<br>, CV<br>DS  | 1            |

71-11-56

ILLUSTRATED PARTS LIST  
01.1 Page 1092K  
Nov 01/04

| FIG. & ITEM | PART NO.     | AIRLINE PART NUMBER | NOMENCLATURE<br>1234567     | EFF CODE   | QTY PER ASSY |
|-------------|--------------|---------------------|-----------------------------|--|--------------|
| 17-<br>-330 | 315T3305-102 |                     | .SKIN                       | E,F,H<br>,W,AA<br>,AC,A<br>H,AM,<br>AT,AV<br>BC,BG<br>,BL,B<br>Q,BU,<br>BY,CH<br>,CK<br>DA,DC<br>,DU | 1            |
| 335         | 315T3305-153 |                     | .SKIN ASSY-FWD<br>(LIMITED) | A-D,L<br>,Y,AF<br>,AK,A<br>P,AR,<br>BA,BE<br>BJ,BN<br>,BS,B<br>W                                     | 1            |
| -335A       | 315T3305-169 |                     | .SKIN ASSY-FWD<br>(LIMITED) | A-D,L<br>,Y,AF<br>,AK,A<br>P,AR,<br>BA,BE<br>BJ,BN<br>,BS,B<br>W                                     | 1            |
| -335B       | 315T3305-181 |                     | .SKIN ASSY-FWD<br>(LIMITED) | A-D,L<br>,Y,AF<br>,AK,A<br>P,AR,<br>BA,BE<br>BJ,BN<br>,BS,B<br>W                                     | 1            |
| -335C       | 315T3305-181 |                     | .SKIN ASSY-FWD              | CA,CC<br>,CT,C<br>V,DS   | 1            |

# 71-11-56

 ILLUSTRATED PARTS LIST  
 01.1 Page 1092L  
 Nov 01/04

**BOEING**  
COMPONENT  
MAINTENANCE MANUAL

| FIG. & ITEM | PART NO.     | AIRLINE PART NUMBER | NOMENCLATURE<br>1234567              | EFF CODE  | QTY PER ASSY |
|-------------|--------------|---------------------|--------------------------------------|---|--------------|
| 17-<br>-340 | 315T3305-154 |                     | .SKIN ASSY-FWD<br>(LIMITED)          | E,F,H<br>,W,AA<br>,AC,A<br>H,AM,<br>AT,AV<br>BC,BG<br>,BL,B<br>Q,BU,<br>BY  | 1            |
| -340A       | 315T3305-170 |                     | .SKIN ASSY-FWD<br>(LIMITED)          | E,F,H<br>,W,AA<br>,AC,A<br>H,AM,<br>AT,AV<br>BC,BG<br>,BL,B<br>Q,BU,<br>BY  | 1            |
| -340B       | 315T3305-170 |                     | .SKIN ASSY-FWD                       | CH,CK<br>,DA,<br>DC,DU  | 1            |
| 345         | BACR15CE5M   |                     | ..RIVET-<br>(SIZE DETERMINE ON INST) | A-F,H<br>,L,W,<br>Y,AA,<br>AC,AF<br>,AH<br>AK,AM<br>,AP,A<br>R,AT,<br>AV,BA<br>,BC<br>BE,BG<br>,BJ,B<br>L,BN,<br>BQ,BS<br>,BU<br>BW,BY<br>,CA,C<br>C,CH,<br>CK,CT<br>,CV<br>DA,DC<br>,DS,D<br>U | 23           |

71-11-56

ILLUSTRATED PARTS LIST  
01.1 Page 1092M  
Nov 01/04

| FIG. & ITEM | PART NO.    | AIRLINE PART NUMBER | NOMENCLATURE  | EFF CODE  | QTY PER ASSY |
|-------------|-------------|---------------------|---|---|--------------|
| 17-350      | BACR15CE5M  |                     | 1234567<br>..RIVET-<br>(SIZE DETERMINE ON INST)<br>(USED ON ITEMS 335, 340) | A-F,H<br>,L,W,<br>Y,AA,<br>AC,AF<br>,AH<br>AK,AM<br>,AP,A<br>R,AT,<br>AV,BA<br>,BC<br>BE,BG<br>,BJ,B<br>L,BN,<br>BQ,BS<br>,BU<br>BW,BY<br>,CA,C<br>C,CH,<br>CK,CT<br>,CV<br>DA,DC               | 1            |
| 355         | BACR15FT5KE |                     | ..RIVET-<br>(SIZE DETERMINE ON INST)  | A-F,H<br>,L,W,<br>Y,AA,<br>AC,AF<br>,AH<br>AK,AM<br>,AP,A<br>R,AT,<br>AV,BA<br>,BC<br>BE,BG<br>,BJ,B<br>L,BN,<br>BQ,BS<br>,BU<br>BW,BY<br>,CA,C<br>C,CH,<br>CK,CT<br>,CV<br>DA,DC<br>,DS,D<br>U | 2            |

# 71-11-56

 ILLUSTRATED PARTS LIST  
 01.1 Page 1092N  
 Nov 01/04

| FIG. & ITEM | PART NO.     | AIRLINE PART NUMBER | NOMENCLATURE<br>1234567                        | EFF CODE   | QTY PER ASSY |
|-------------|--------------|---------------------|--|--|--------------|
| 17-360      | 315T3305-111 |                     | ..CLIP-<br>(USED ON ITEM 335)                  | A-D,L<br>,Y,AF<br>,AK,A<br>P,AR,<br>BA,BE<br>BJ,BN<br>,BS,B<br>W                                     | 1            |
| -360A       | 315T3305-171 |                     | ..CLIP-<br>(USED ON ITEMS 335A,<br>335B, 335C) | A-D,L<br>,Y,AF<br>,AK,A<br>P,AR,<br>BA,BE<br>BJ,BN<br>,BS,B<br>W,CA,<br>CC,CT<br>,CV<br>DS           | 1            |
| -365        | 315T3305-112 |                     | ..CLIP-<br>(USED ON ITEM 340)                  | E,F,H<br>,W,AA<br>,AC,A<br>H,AM,<br>AT,AV<br>BC,BG<br>,BL,B<br>Q,BU,<br>BY                           | 1            |
| -365A       | 315T3305-172 |                     | ..CLIP-<br>(USED ON ITEMS 340A,<br>340B)       | E,F,H<br>,W,AA<br>,AC,A<br>H,AM,<br>AT,AV<br>BC,BG<br>,BL,B<br>Q,BU,<br>BY,CH<br>,CK<br>DA,DC<br>,DU | 1            |

71-11-56

ILLUSTRATED PARTS LIST  
01.1 Page 10920  
Nov 01/04

| FIG. & ITEM | PART NO.     | AIRLINE PART NUMBER | NOMENCLATURE<br>1234567                        | EFF CODE   | QTY PER ASSY |
|-------------|--------------|---------------------|--|--|--------------|
| 17-370      | 315T3305-51  |                     | ..CLIP-<br>(USED ON ITEM 335)                  | A-D,L<br>,Y,AF<br>,AK,A<br>P,AR,<br>BA,BE<br>BJ,BN<br>,BS,B<br>W                                     | 1            |
| -370A       | 315T3305-173 |                     | ..CLIP-<br>(USED ON ITEMS 335A,<br>335B, 335C) | A-D,L<br>,Y,AF<br>,AK,A<br>P,AR,<br>BA,BE<br>BJ,BN<br>,BS,B<br>W,CA,<br>CC,CT<br>,CV<br>DS           | 1            |
| -375        | 315T3305-52  |                     | ..CLIP-<br>(USED ON ITEM 340)                  | E,F,H<br>,W,AA<br>,AC,A<br>H,AM,<br>AT,AV<br>BC,BG<br>,BL,B<br>Q,BU,<br>BY                           | 1            |
| -375A       | 315T3305-174 |                     | ..CLIP-<br>(USED ON ITEMS 340A,<br>340B)       | E,F,H<br>,W,AA<br>,AC,A<br>H,AM,<br>AT,AV<br>BC,BG<br>,BL,B<br>Q,BU,<br>BY,CH<br>,CK<br>DA,DC<br>,DU | 1            |

# 71-11-56

 ILLUSTRATED PARTS LIST  
 01.1 Page 1092P  
 Nov 01/04

 **BOEING**  
COMPONENT  
MAINTENANCE MANUAL

| FIG. & ITEM | PART NO.     | AIRLINE PART NUMBER | NOMENCLATURE<br>1234567 | EFF CODE   | QTY PER ASSY |
|-------------|--------------|---------------------|-------------------------|--|--------------|
| 17-380      | 315T3305-143 |                     | ..ANGLE-SEAL, FWD       | A-D,L<br>,Y,AF<br>,AK,A<br>P,AR,<br>BA,BE<br>BJ,BN<br>,BS,B<br>W,CA,<br>CC,CT<br>,CV<br>DS           | 1            |
| -385        | 315T3305-144 |                     | ..ANGLE-SEAL, FWD       | E,F,H<br>,W,AA<br>,AC,A<br>H,AM,<br>AT,AV<br>BC,BG<br>,BL,B<br>Q,BU,<br>BY,CH<br>,CK<br>DA,DC<br>,DU | 1            |
| 390         | 315T3305-89  |                     | ..ANGLE                 | A-D,L<br>,Y,AF<br>,AK,A<br>P,AR,<br>BA,BE<br>BJ,BN<br>,BS,B<br>W,CA,<br>CC,CT<br>,CV<br>DS           | 1            |

71-11-56

ILLUSTRATED PARTS LIST  
01.1 Page 1092Q  
Nov 01/04



| FIG. & ITEM | PART NO.    | AIRLINE PART NUMBER | NOMENCLATURE   | EFF CODE  | QTY PER ASSY |
|-------------|-------------|---------------------|--|---|--------------|
| 17-395      | 315T3305-90 |                     | 1234567<br>..ANGLE   | E,F,H<br>,W,AA<br>,AC,A<br>H,AM,<br>AT,AV<br>BC,BG<br>,BL,B<br>Q,BU,<br>BY,CH<br>,CK<br>DA,DC<br>,DU  | 1            |
| 400         | 315T3305-18 |                     | ..FILLER-<br>(USED ON ITEMS 335,<br>335A, 340, 340A, 340B) | A-F,H<br>,L,W,<br>Y,AA,<br>AC,AF<br>,AH<br>AK,AM<br>,AP,A<br>R,AT,<br>AV,BA<br>,BC<br>BE,BG<br>,BJ,B<br>L,BN,<br>BQ,BS<br>,BU<br>BW,BY<br>,CH,C<br>K,DA,<br>DC,DU | 1            |

# 71-11-56

 ILLUSTRATED PARTS LIST  
 01.1 Page 1092R  
 Nov 01/04

 **BOEING**  
COMPONENT  
MAINTENANCE MANUAL

| FIG. & ITEM  | PART NO.     | AIRLINE PART NUMBER | NOMENCLATURE  | EFF CODE   | QTY PER ASSY |
|--------------|--------------|---------------------|---|--|--------------|
| 17-<br>-400A | 315T3305-179 |                     | 1234567<br>..FILLER-<br>(USED ON ITEMS 335B,<br>335C) | A-D,L<br>,Y,AF<br>,AK,A<br>P,AR,<br>BA,BE<br>BJ,BN<br>,BS,B<br>W,CA,<br>CC,CT<br>,CV<br>DS           | 1            |
| 405          | 315T3305-145 |                     | ..SKIN  | A-D,L<br>,Y,AF<br>,AK,A<br>P,AR,<br>BA,BE<br>BJ,BN<br>,BS,B<br>W,CA,<br>CC,CT<br>,CV<br>DS           | 1            |
| -410         | 315T3305-146 |                     | ..SKIN  | E,F,H<br>,W,AA<br>,AC,A<br>H,AM,<br>AT,AV<br>BC,BG<br>,BL,B<br>Q,BU,<br>BY,CH<br>,CK<br>DA,DC<br>,DU | 1            |

71-11-56

ILLUSTRATED PARTS LIST  
01.1 Page 1092S  
Nov 01/04

| FIG. & ITEM | PART NO.     | AIRLINE PART NUMBER | NOMENCLATURE<br>1234567  | EFF CODE   | QTY PER ASSY |
|-------------|--------------|---------------------|--------------------------|--|--------------|
| 17-415      | 315T3305-151 |                     | .SKIN ASSY-<br>(LIMITED) | A-D,L<br>,Y,AF<br>,AK,A<br>P,AR,<br>BA,BE<br>BJ,BN<br>,BS,B<br>W           | 1            |
| -415A       | 315T3305-167 |                     | .SKIN ASSY-<br>(LIMITED) | A-D,L<br>,Y,AF<br>,AK,A<br>P,AR,<br>BA,BE<br>BJ,BN<br>,BS,B<br>W           | 1            |
| -415B       | 315T3305-167 |                     | .SKIN ASSY               | CA,CC<br>,CT,C<br>V,DS   | 1            |
| -420        | 315T3305-152 |                     | .SKIN ASSY-<br>(LIMITED) | E,F,H<br>,W,AA<br>,AC,A<br>H,AM,<br>AT,AV<br>BC,BG<br>,BL,B<br>Q,BU,<br>BY | 1            |
| -420A       | 315T3305-168 |                     | .SKIN ASSY-<br>(LIMITED) | E,F,H<br>,W,AA<br>,AC,A<br>H,AM,<br>AT,AV<br>BC,BG<br>,BL,B<br>Q,BU,<br>BY | 1            |
| -420B       | 315T3305-168 |                     | .SKIN ASSY               | CH,CK<br>,DA,<br>DC,DU   | 1            |

# 71-11-56

 ILLUSTRATED PARTS LIST  
 01.1 Page 1092T  
 Nov 01/04

| FIG. & ITEM | PART NO.    | AIRLINE PART NUMBER | NOMENCLATURE                                    | EFF CODE  | QTY PER ASSY |
|-------------|-------------|---------------------|---|---|--------------|
| 17-425      | BACR15CE5KE |                     | 1234567<br>..RIVET-<br>(SIZE DETERMINE ON INST) | A-F,H<br>,L,W,<br>Y,AA,<br>AC,AF<br>,AH<br>AK,AM<br>,AP,A<br>R,AT,<br>AV,BA<br>,BC<br>BE,BG<br>,BJ,B<br>L,BN,<br>BQ,BS<br>,BU<br>BW,BY<br>,CA,C<br>C,CH,<br>CK,CT<br>,CV<br>DA,DC<br>,DS,D<br>U | 37           |

71-11-56

ILLUSTRATED PARTS LIST  
01.1 Page 1092U  
Nov 01/04

| FIG. & ITEM | PART NO.     | AIRLINE PART NUMBER | NOMENCLATURE                                    | EFF CODE  | QTY PER ASSY |
|-------------|--------------|---------------------|---|---|--------------|
| 17-430      | BACR15BA4AD  |                     | 1234567<br>..RIVET-<br>(SIZE DETERMINE ON INST) | A-F,H<br>,L,W,<br>Y,AA,<br>AC,AF<br>,AH<br>AK,AM<br>,AP,A<br>R,AT,<br>AV,BA<br>,BC<br>BE,BG<br>,BJ,B<br>L,BN,<br>BQ,BS<br>,BU<br>BW,BY<br>,CA,C<br>C,CH,<br>CK,CT<br>,CV<br>DA,DC<br>,DS,D<br>U | 6            |
| 435         | 315T3305-149 |                     | ..ANGLE-SPLICE                                  | A-D,L<br>,Y,AF<br>,AK,A<br>P,AR,<br>BA,BE<br>BJ,BN<br>,BS,B<br>W,CA,<br>CC,CT<br>,CV<br>DS  | 1            |

# 71-11-56

 ILLUSTRATED PARTS LIST  
 01.1 Page 1092V  
 Nov 01/04

 **BOEING**  
COMPONENT  
MAINTENANCE MANUAL

| FIG. & ITEM | PART NO.     | AIRLINE PART NUMBER | NOMENCLATURE<br>1234567                       | EFF CODE   | QTY PER ASSY |
|-------------|--------------|---------------------|---|--|--------------|
| 17-<br>-440 | 315T3305-150 |                     | .ANGLE-SPLICE                                 | E,F,H<br>,W,AA<br>,AC,A<br>H,AM,<br>AT,AV<br>BC,BG<br>,BL,B<br>Q,BU,<br>BY,CH<br>,CK<br>DA,DC<br>,DU | 1            |
| 445         | 315T3305-135 |                     | ..ANGLE-SEAL<br>(USED ON ITEM 415)            | A-D,L<br>,Y,AF<br>,AK,A<br>P,AR,<br>BA,BE<br>BJ,BN<br>,BS,B<br>W                                     | 1            |
| -445A       | 315T3305-163 |                     | ..ANGLE-SEAL<br>(USED ON ITEMS 415A,<br>415B) | A-D,L<br>,Y,AF<br>,AK,A<br>P,AR,<br>BA,BE<br>BJ,BN<br>,BS,B<br>W,CA,<br>CC,CT<br>,CV<br>DS           | 1            |
| -450        | 315T3305-136 |                     | ..ANGLE-SPLICE<br>(USED ON ITEM 420)          | E,F,H<br>,W,AA<br>,AC,A<br>H,AM,<br>AT,AV<br>BC,BG<br>,BL,B<br>Q,BU,<br>BY                           | 1            |

71-11-56

ILLUSTRATED PARTS LIST  
01.1 Page 1092W  
Nov 01/04

| FIG. & ITEM  | PART NO.     | AIRLINE PART NUMBER | NOMENCLATURE<br>1234567                         | EFF CODE   | QTY PER ASSY |
|--------------|--------------|---------------------|---|--|--------------|
| 17-<br>-450A | 315T3305-164 |                     | ..ANGLE-SPLICE<br>(USED ON ITEMS 420A,<br>420B) | E,F,H<br>,W,AA<br>,AC,A<br>H,AM,<br>AT,AV<br>BC,BG<br>,BL,B<br>Q,BU,<br>BY,CH<br>,CK<br>DA,DC<br>,DU | 1            |
| 455          | 315T3305-147 |                     | ..SKIN-<br>(USED ON ITEM 415)                   | A-D,L<br>,Y,AF<br>,AK,A<br>P,AR,<br>BA,BE<br>BJ,BN<br>,BS,B<br>W                                     | 1            |
| -455A        | 315T3305-165 |                     | ..SKIN-<br>(USED ON ITEMS 415A,<br>415B)        | A-D,L<br>,Y,AF<br>,AK,A<br>P,AR,<br>BA,BE<br>BJ,BN<br>,BS,B<br>W,CA,<br>CC,CT<br>,CV<br>DS           | 1            |
| -460         | 315T3305-148 |                     | .SKIN-<br>(USED ON ITEM 420)                    | E,F,H<br>,W,AA<br>,AC,A<br>H,AM,<br>AT,AV<br>BC,BG<br>,BL,B<br>Q,BU,<br>BY                           | 1            |

# 71-11-56

 ILLUSTRATED PARTS LIST  
 01.1 Page 1092X  
 Nov 01/04

| FIG. & ITEM | PART NO.     | AIRLINE PART NUMBER | NOMENCLATURE   | EFF CODE   | QTY PER ASSY |
|-------------|--------------|---------------------|--|--|--------------|
| 17-460A     | 315T3305-166 |                     | 1234567<br><br>.SKIN-<br>(USED ON ITEMS 420A,<br>420B) | E,F,H<br>,W,AA<br>,AC,A<br>H,AM,<br>AT,AV<br>BC,BG<br>,BL,B<br>Q,BU,<br>BY,CH<br>,CK<br>DA,DC<br>,DU | 1            |

- Item Not Illustrated

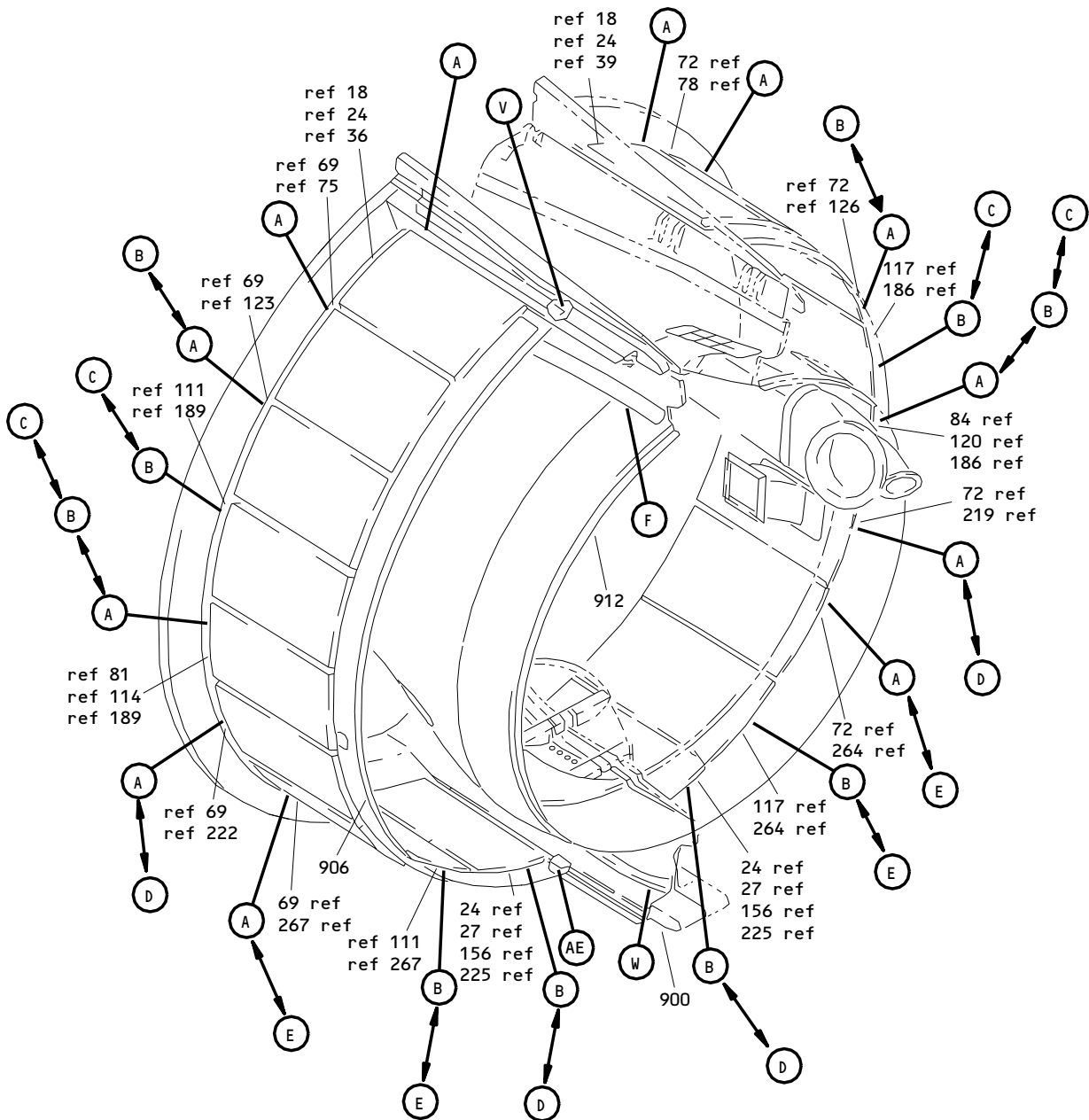
**71-11-56**

ILLUSTRATED PARTS LIST

01.1 Page 1092Y

Nov 01/04

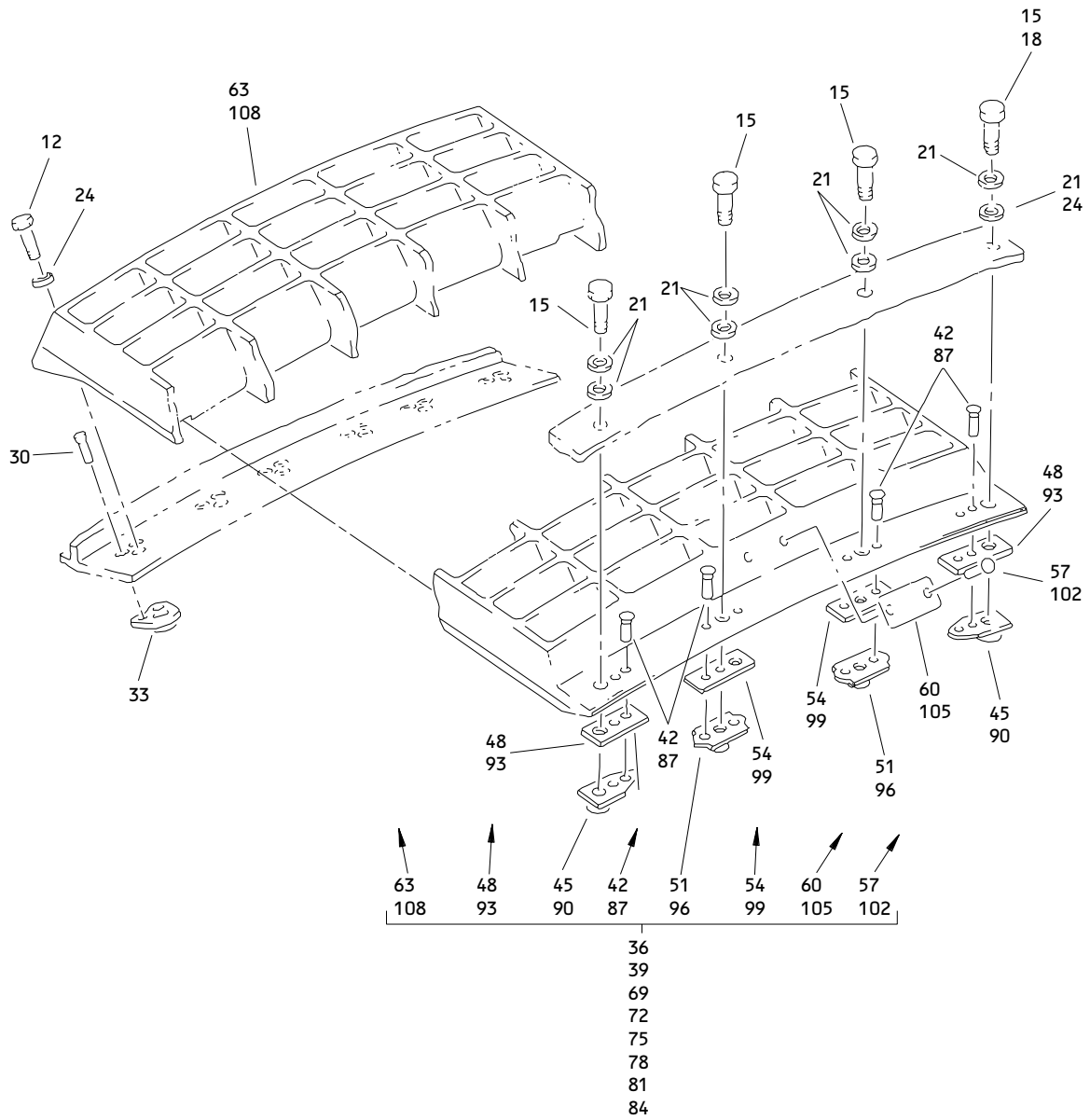




Engine Outboard and Inboard Side Fan Duct Cowl Assembly  
 Figure 18 (Sheet 1)

**71-11-56**

ILLUSTRATED PARTS LIST  
 01.1 Page 10922  
 Nov 01/04



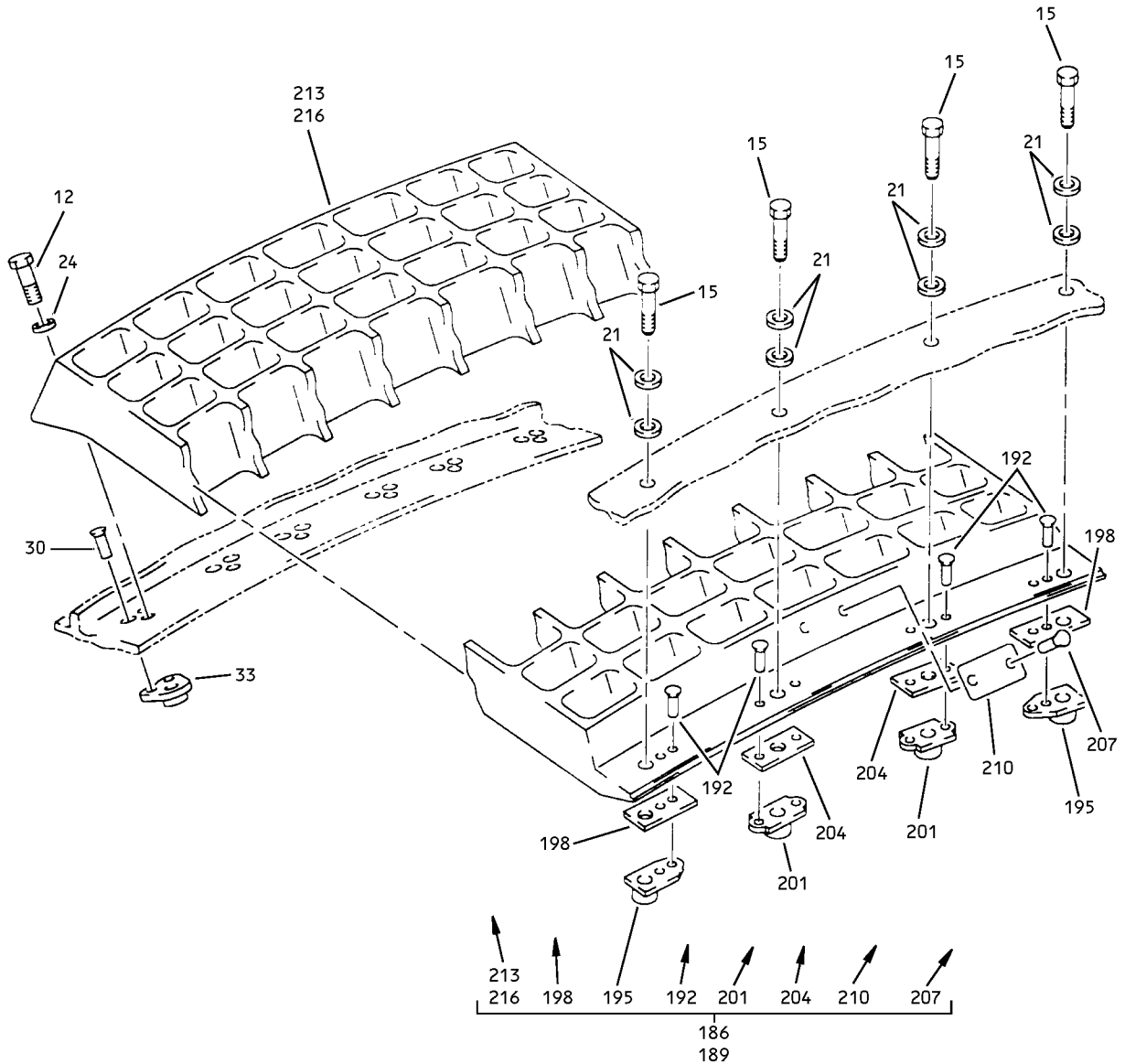
(A)

Engine Outboard and Inboard Side Fan Duct Cowl Assembly  
Figure 18 (Sheet 2)

71-11-56

ILLUSTRATED PARTS LIST  
01.1 Page 1093  
Nov 01/04



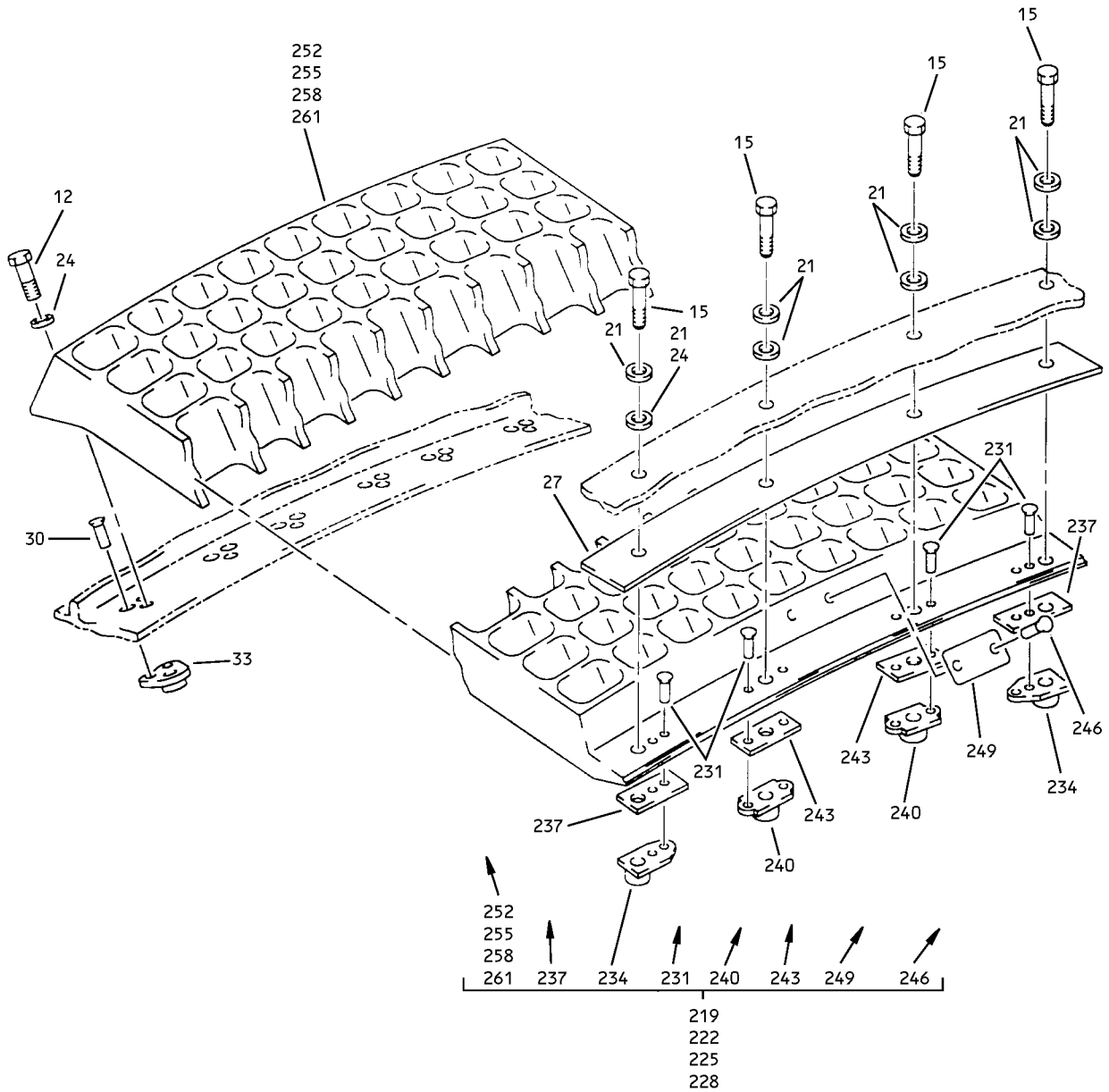


(C)

Engine Outboard and Inboard Side Fan Duct Cowl Assembly  
Figure 18 (Sheet 4)

**71-11-56**

ILLUSTRATED PARTS LIST  
01.1 Page 1094A  
Nov 01/04

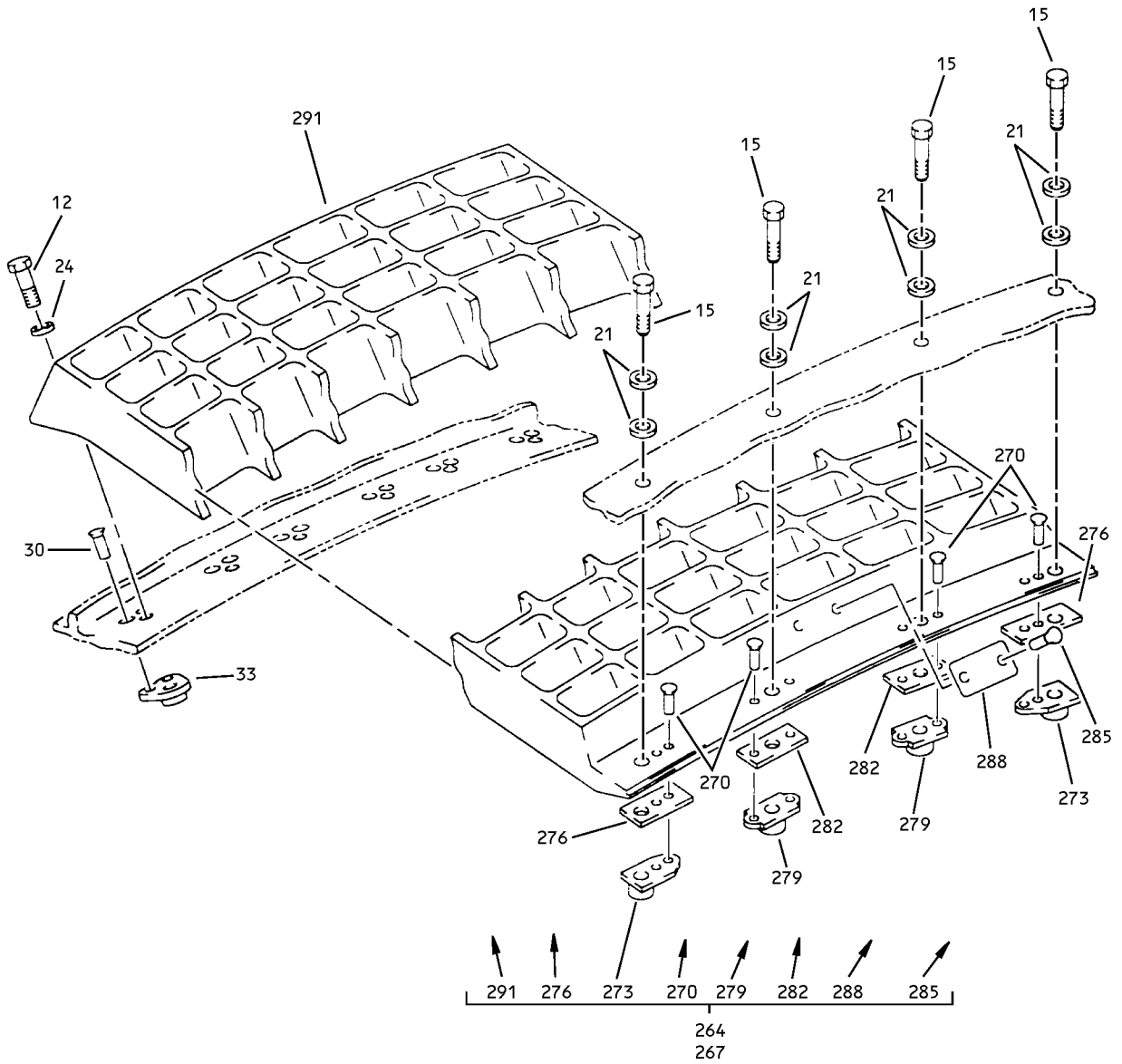


(D)

Engine Outboard and Inboard Side Fan Duct Cowl Assembly  
 Figure 18 (Sheet 5)

**71-11-56**

ILLUSTRATED PARTS LIST  
 01.1 Page 1094B  
 Nov 01/04

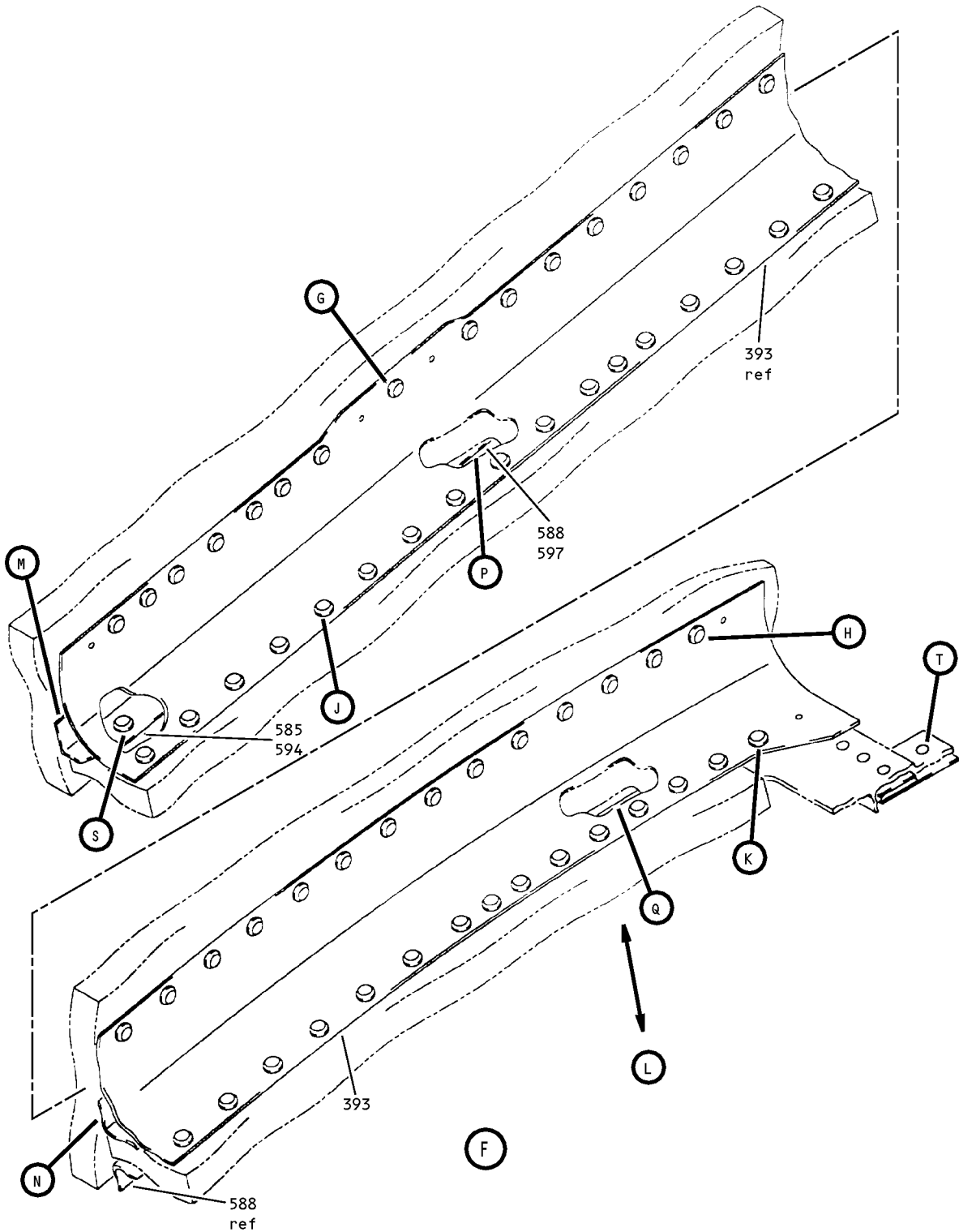


(E)

Engine Outboard and Inboard Side Fan Duct Cowl Assembly  
Figure 18 (Sheet 6)

**71-11-56**

ILLUSTRATED PARTS LIST  
01.1 Page 1094C  
Nov 01/04

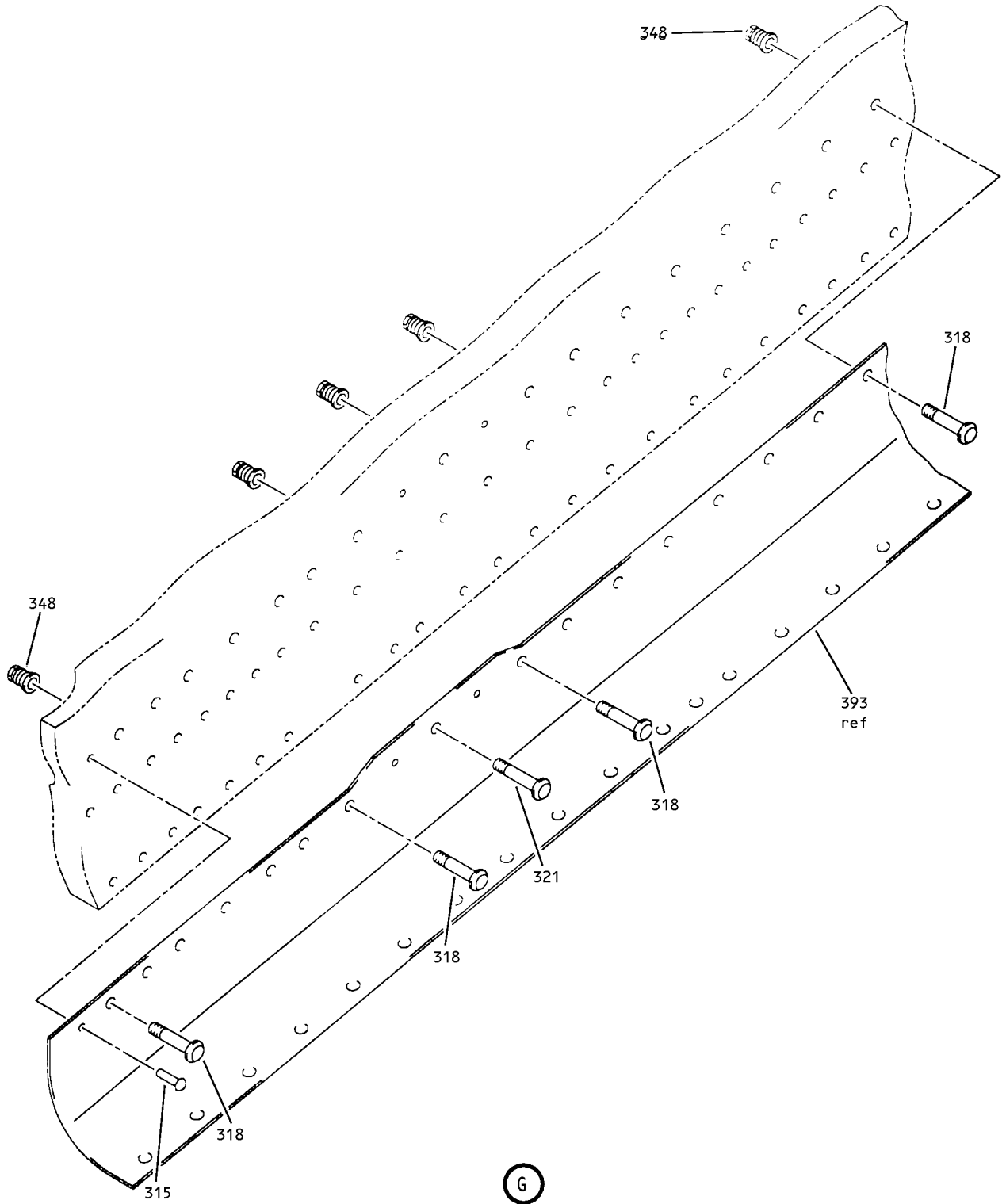


Engine Outboard and Inboard Side Fan Duct Cowl Assembly  
 Figure 18 (Sheet 7)

**71-11-56**

ILLUSTRATED PARTS LIST  
 01.1 Page 1094D  
 Nov 01/04

L50168

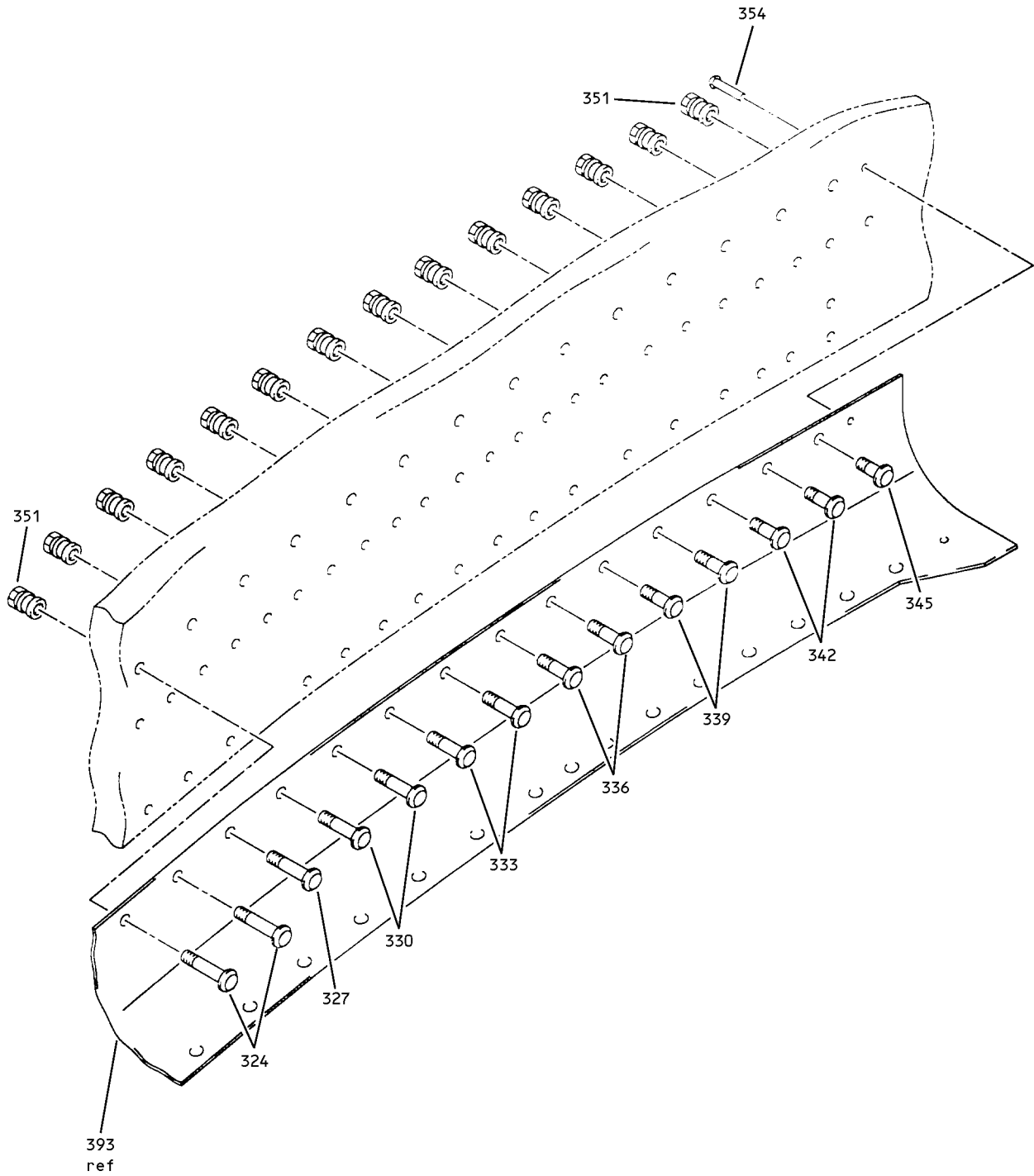


Engine Outboard and Inboard Side Fan Duct Cowl Assembly  
Figure 18 (Sheet 8)

**71-11-56**

ILLUSTRATED PARTS LIST  
01.1 Page 1094E  
Nov 01/04



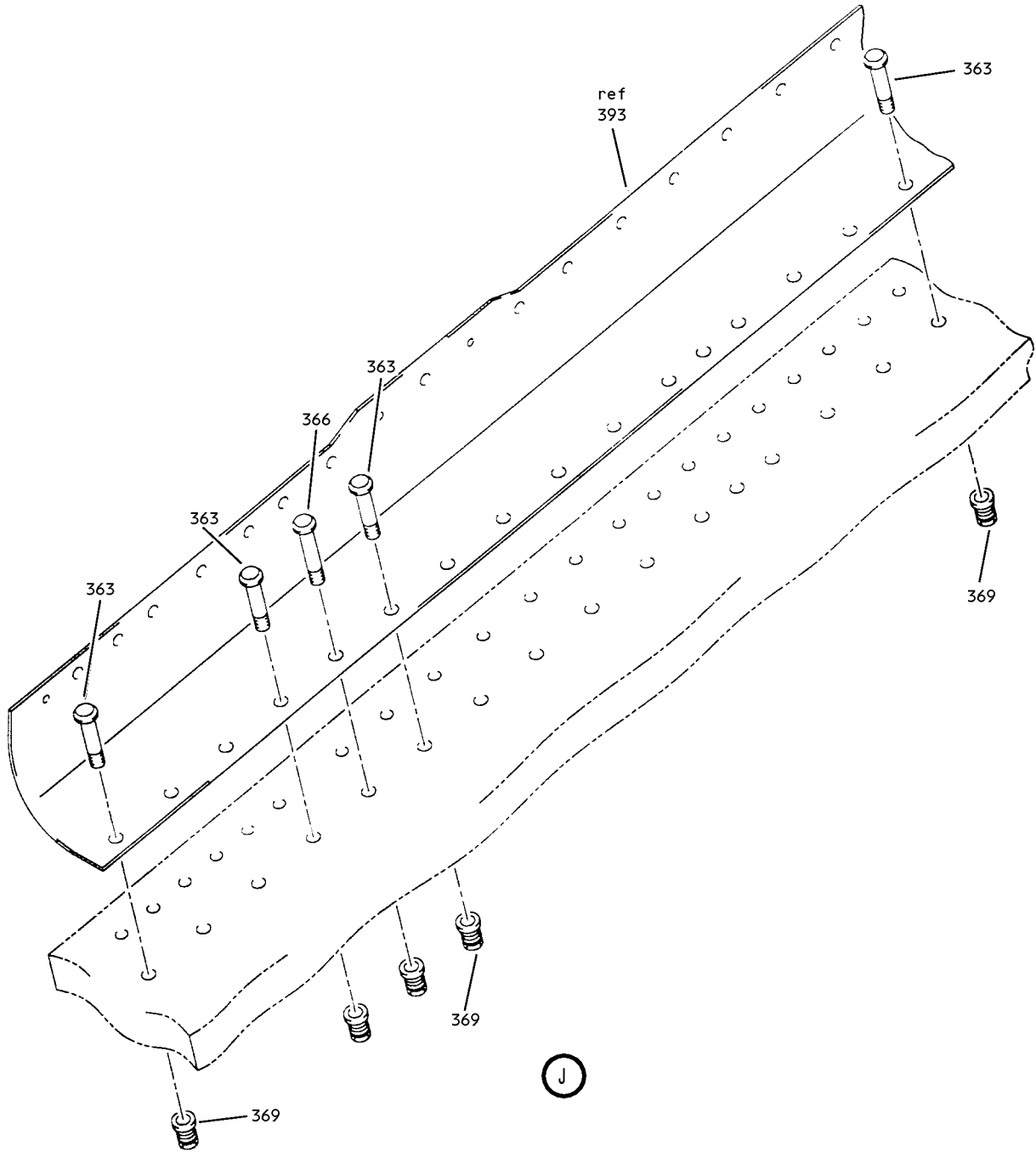


(H)

Engine Outboard and Inboard Side Fan Duct Cowl Assembly  
Figure 18 (Sheet 9)

**71-11-56**

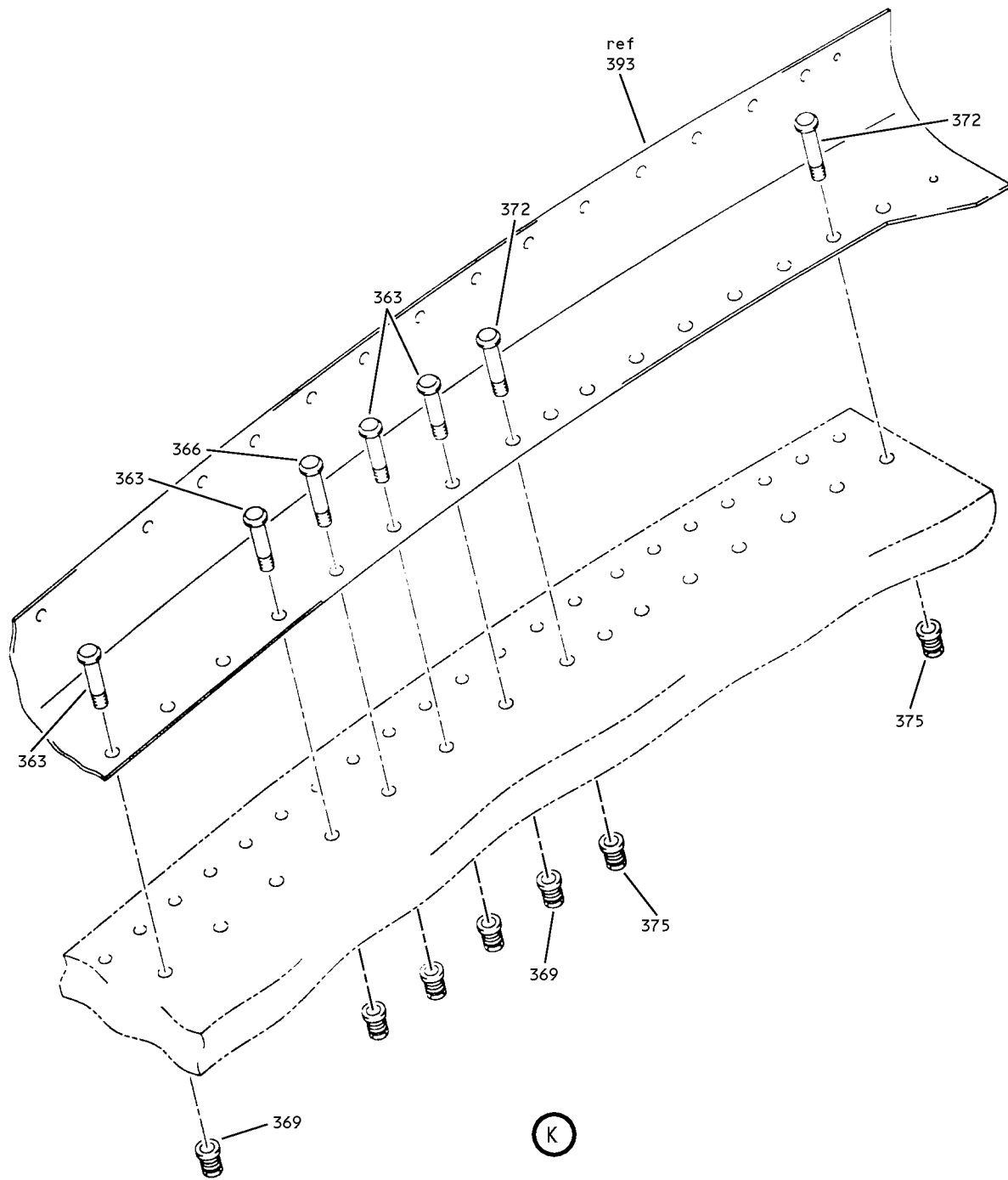
ILLUSTRATED PARTS LIST  
01.1 Page 1094F  
Nov 01/04



Engine Outboard and Inboard Side Fan Duct Cowl Assembly  
Figure 18 (Sheet 10)

**71-11-56**

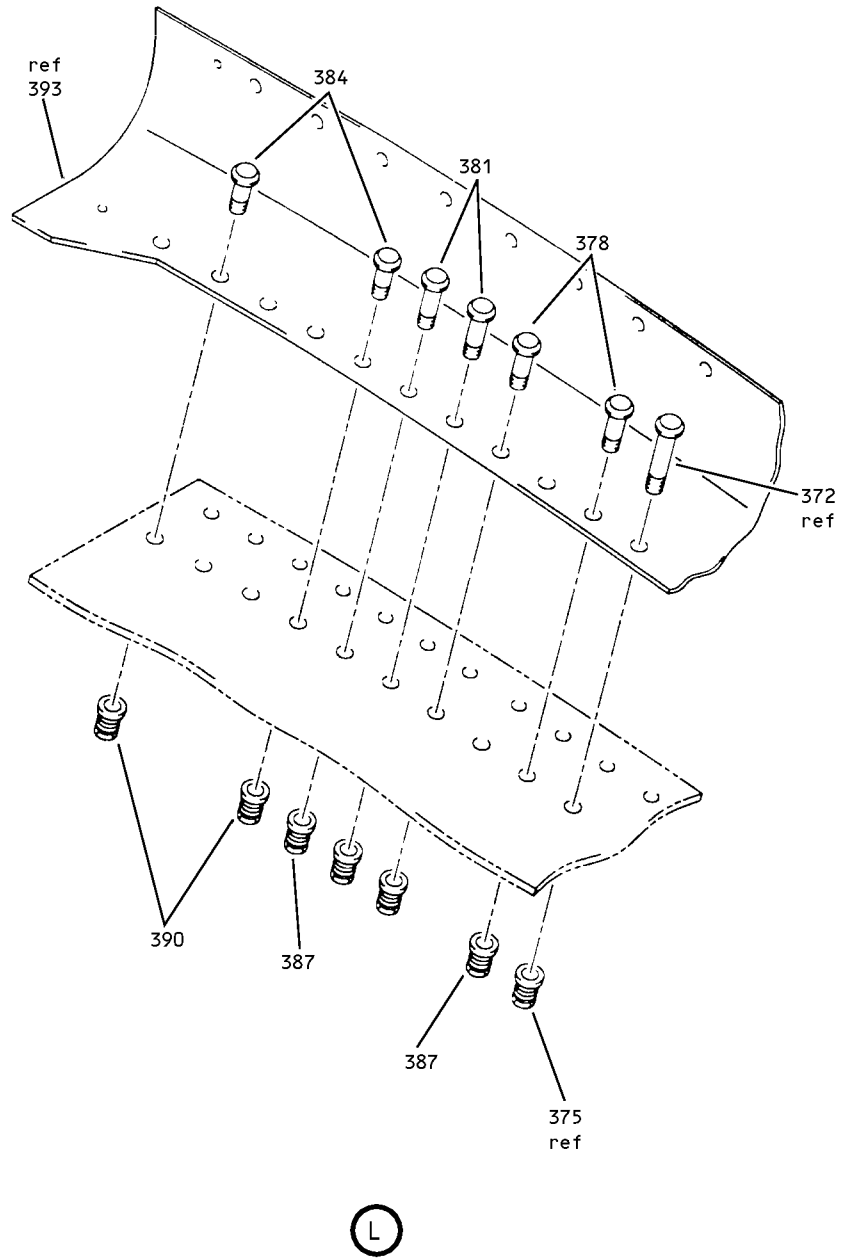
ILLUSTRATED PARTS LIST  
01.1 Page 1094G  
Nov 01/04



Engine Outboard and Inboard Side Fan Duct Cowl Assembly  
Figure 18 (Sheet 11)

**71-11-56**

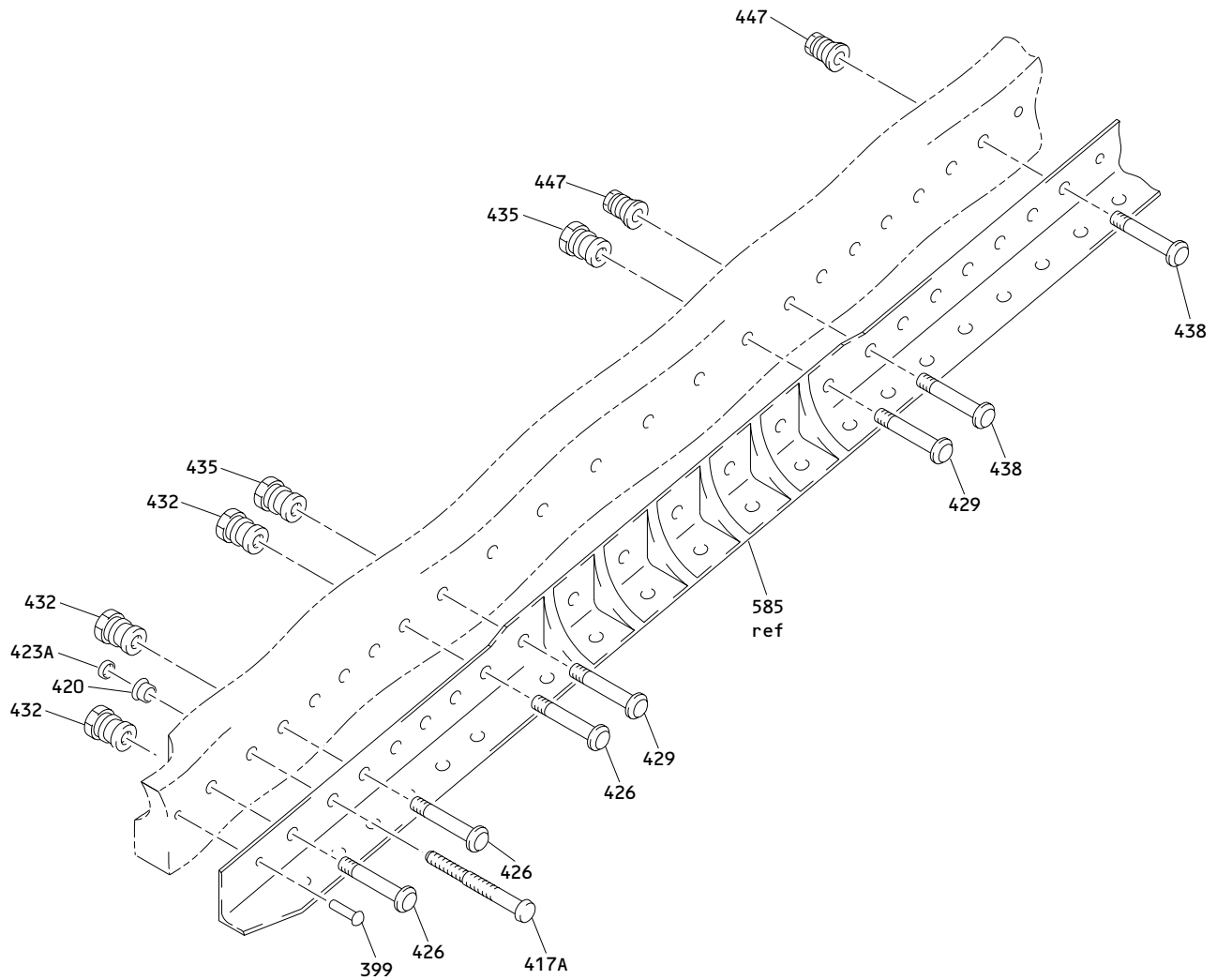
ILLUSTRATED PARTS LIST  
01.1 Page 1094H  
Nov 01/04



Engine Outboard and Inboard Side Fan Duct Cowl Assembly  
Figure 18 (Sheet 12)

**71-11-56**

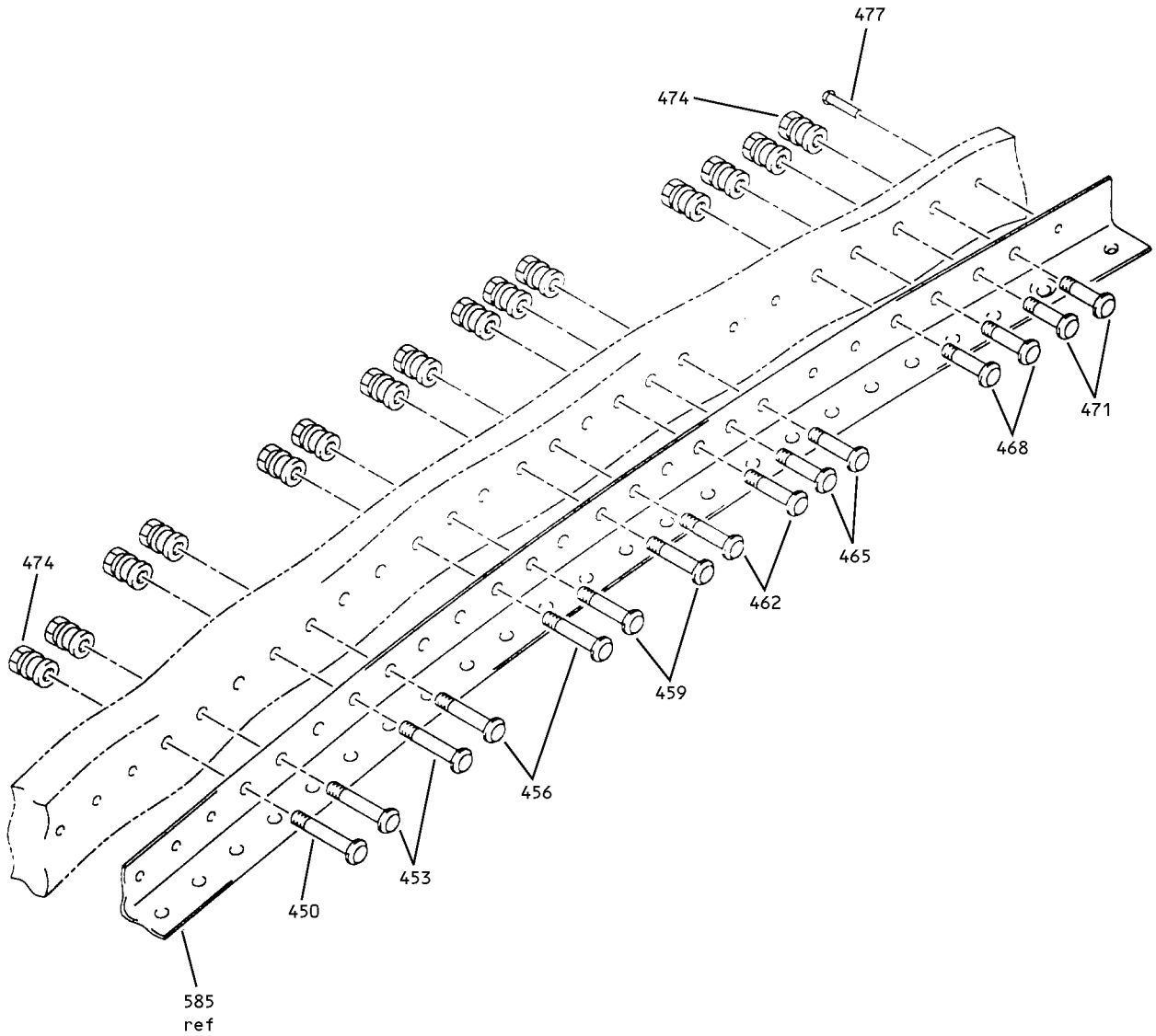
ILLUSTRATED PARTS LIST  
01.1 Page 1094I  
Nov 01/04



Engine Outboard and Inboard Side Fan Duct Cowl Assembly  
Figure 18 (Sheet 13)

**71-11-56**

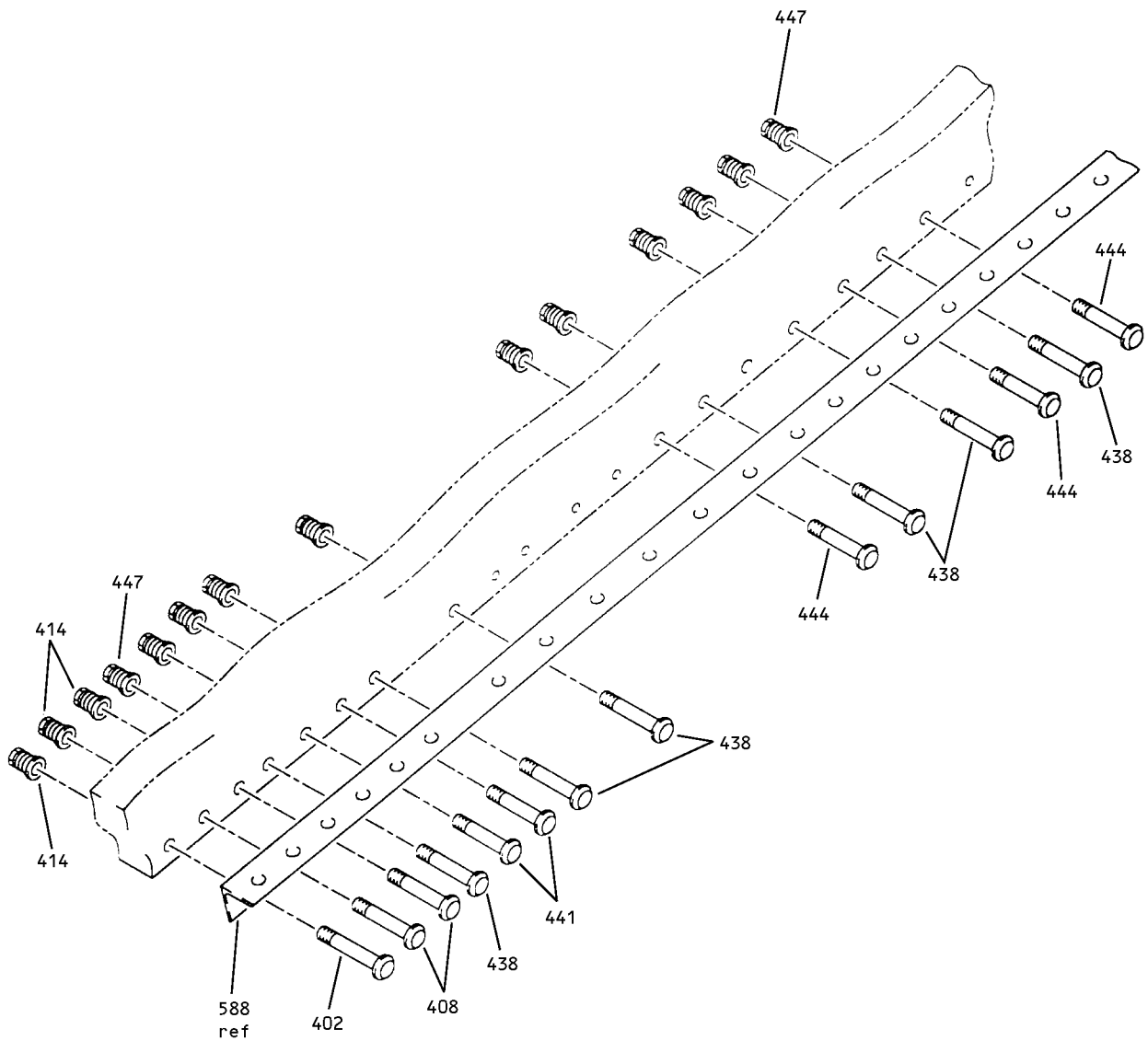
ILLUSTRATED PARTS LIST  
01.1 Page 1094J  
Nov 01/04



Engine Outboard and Inboard Side Fan Duct Cowl Assembly  
Figure 18 (Sheet 14)

**71-11-56**

ILLUSTRATED PARTS LIST  
01.1 Page 1094K  
Nov 01/04

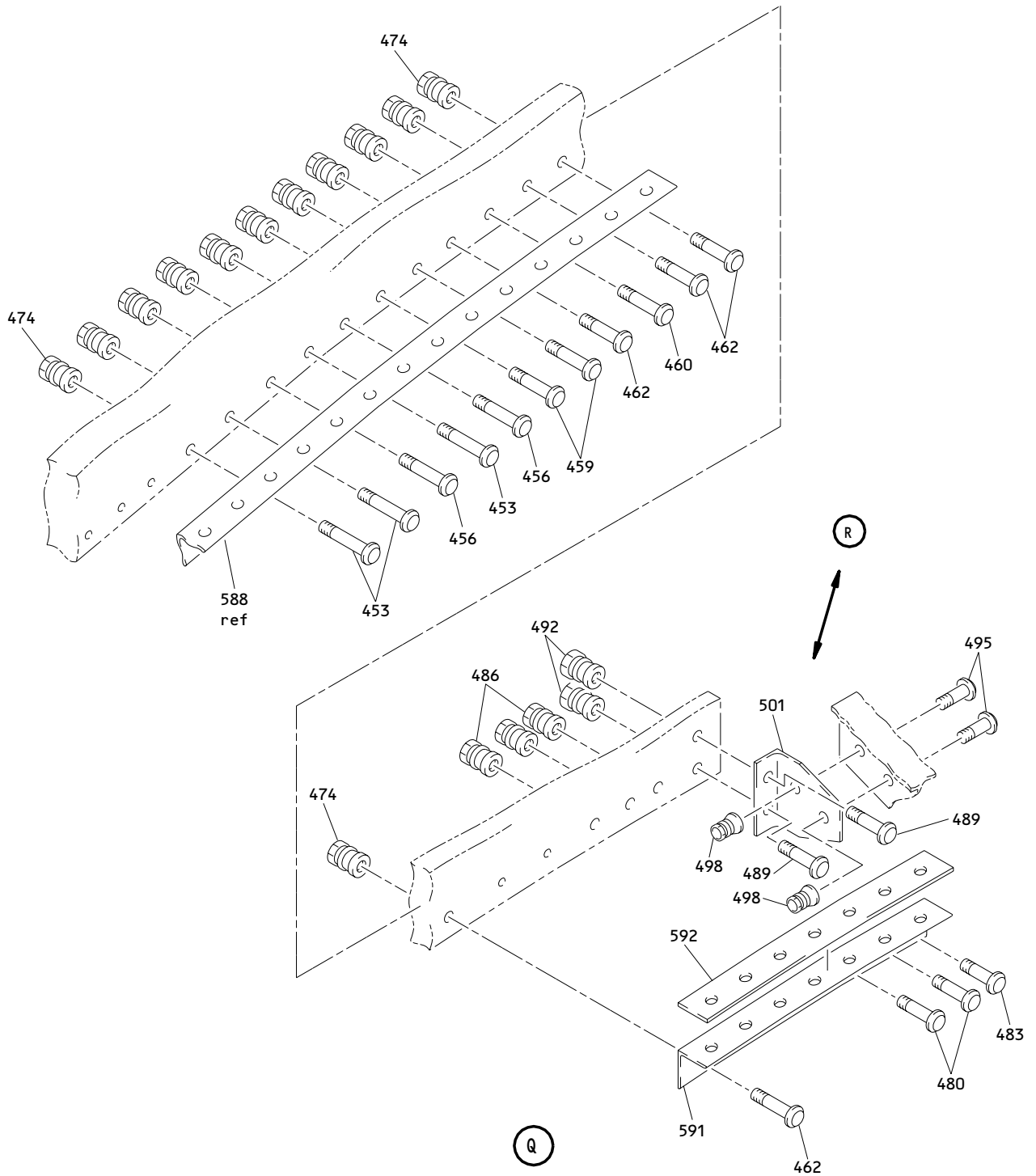


(P)

Engine Outboard and Inboard Side Fan Duct Cowl Assembly  
Figure 18 (Sheet 15)

**71-11-56**

ILLUSTRATED PARTS LIST  
01.1 Page 1094L  
Nov 01/04

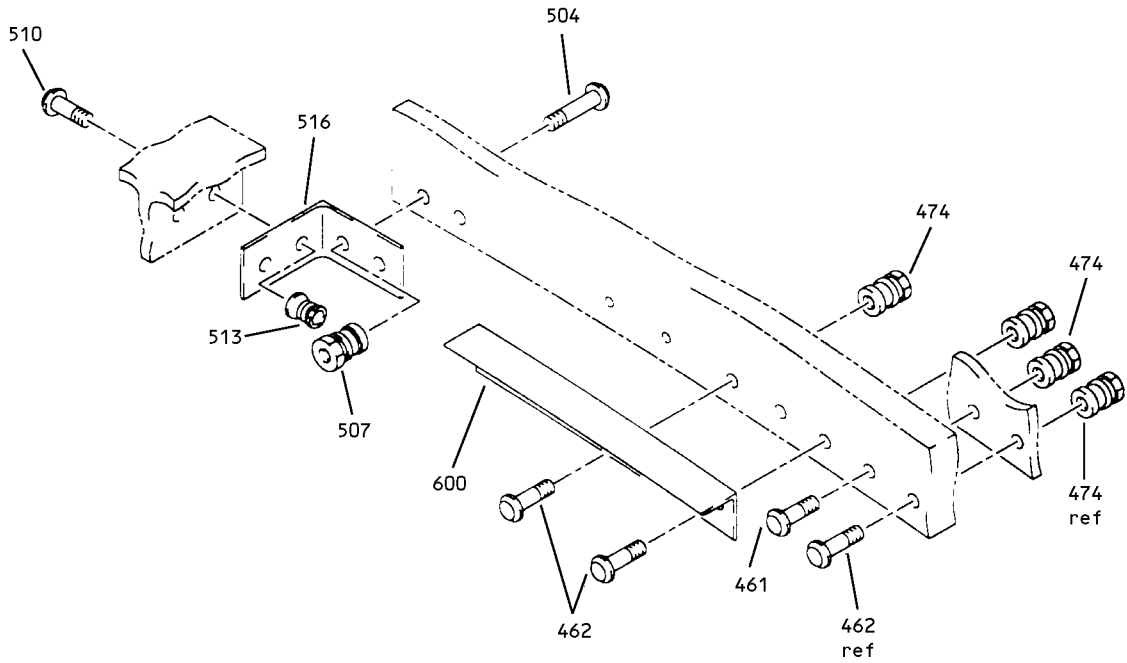


Engine Outboard and Inboard Side Fan Duct Cowl Assembly  
Figure 18 (Sheet 16)

**71-11-56**

ILLUSTRATED PARTS LIST  
01.1 Page 1094M  
Nov 01/04

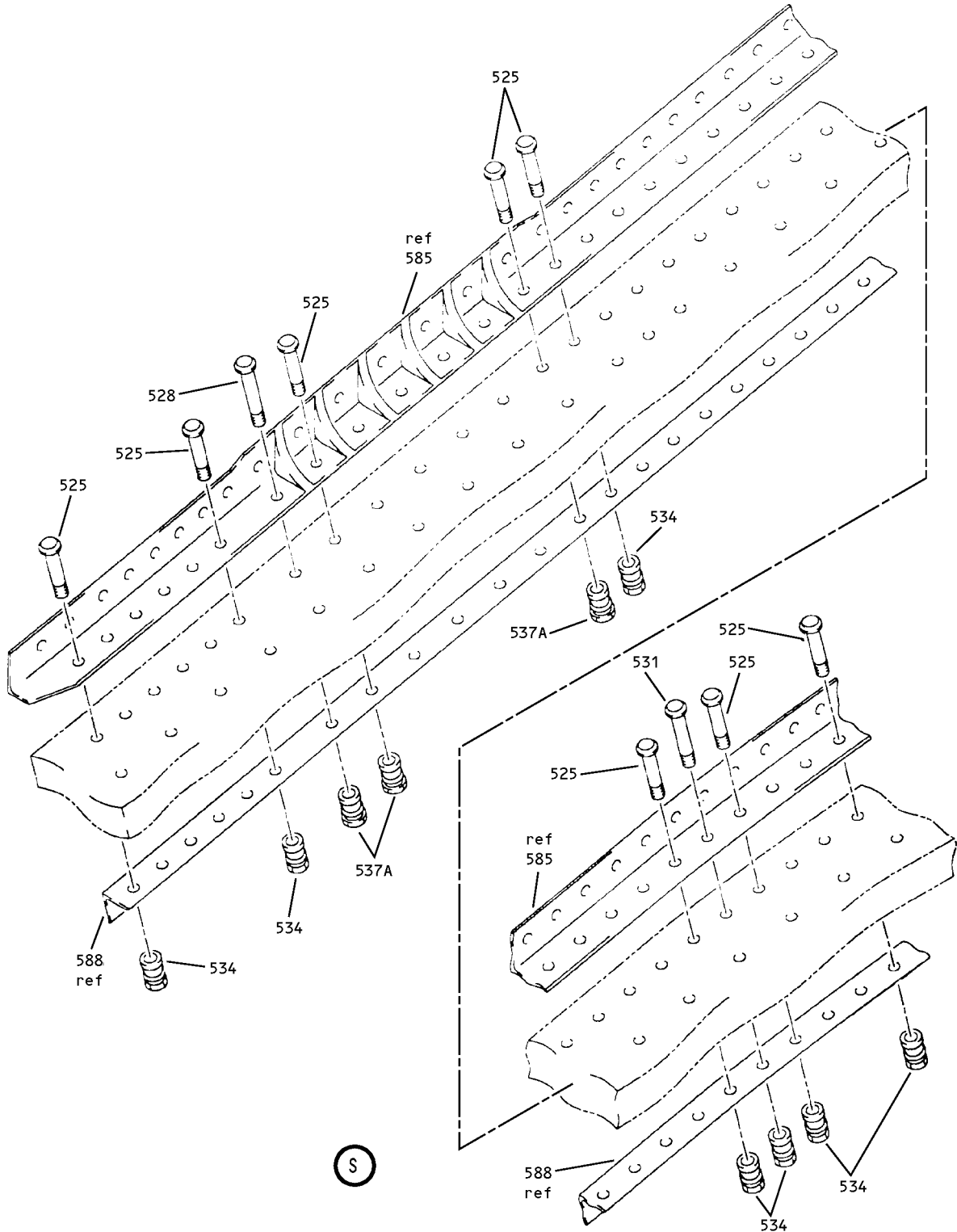




Engine Outboard and Inboard Side Fan Duct Cowl Assembly  
Figure 18 (Sheet 17)

**71-11-56**

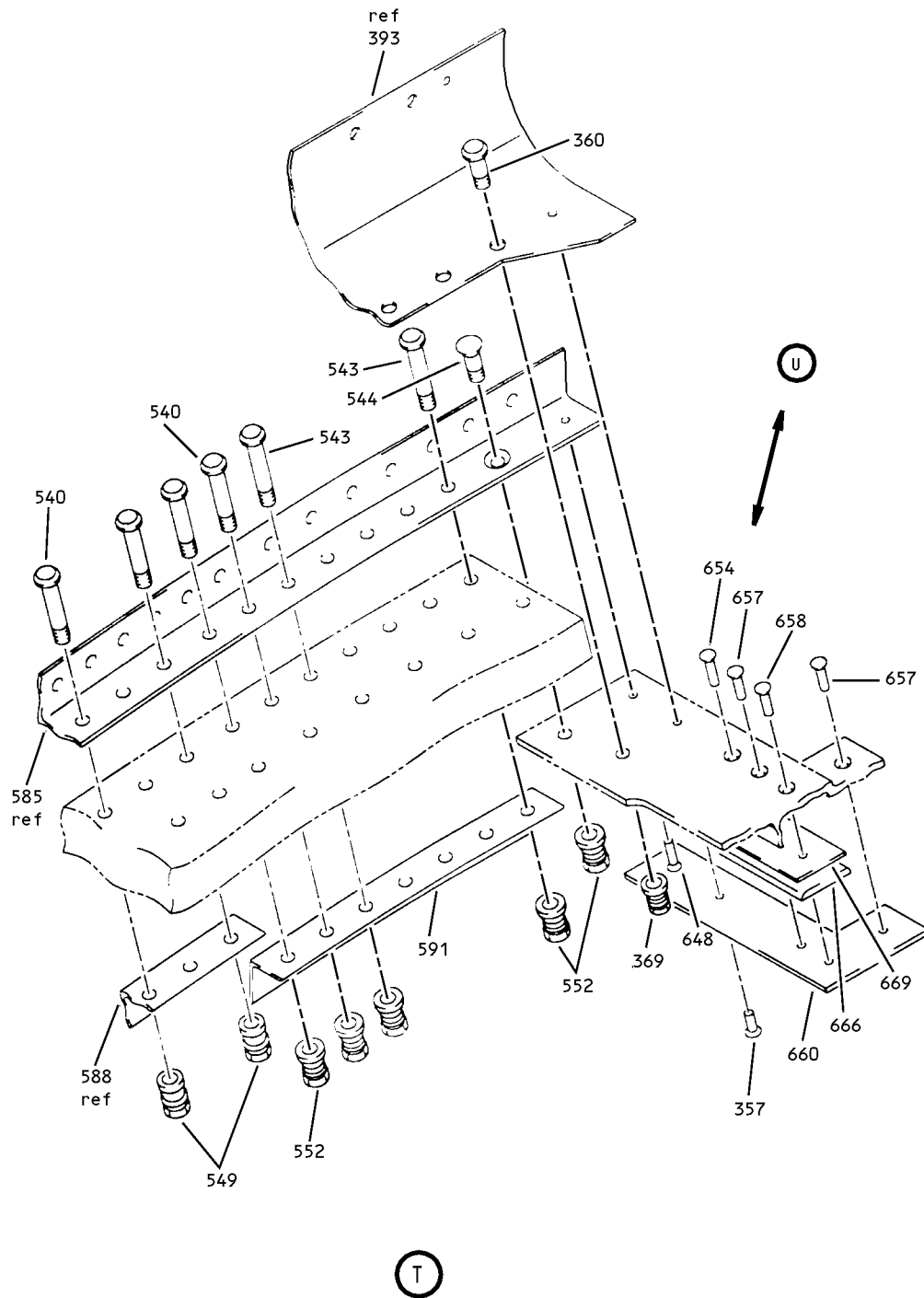
ILLUSTRATED PARTS LIST  
01.1 Page 1094N  
Nov 01/04



Engine Outboard and Inboard Side Fan Duct Cowl Assembly  
Figure 18 (Sheet 18)

**71-11-56**

ILLUSTRATED PARTS LIST  
01.1 Page 10940  
Nov 01/04

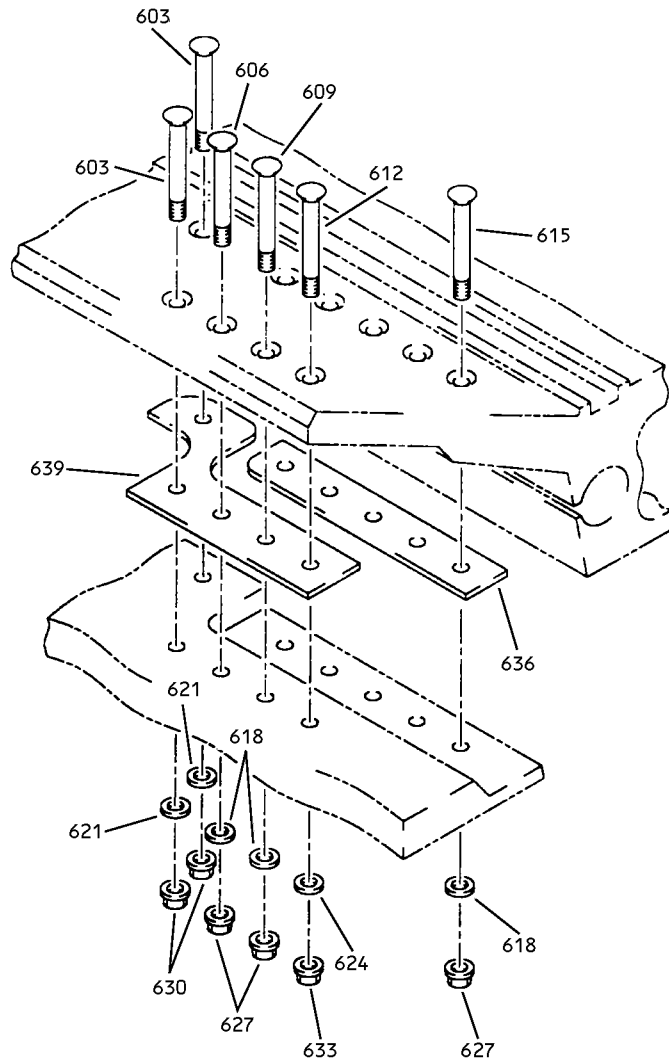


Engine Outboard and Inboard Side Fan Duct Cowl Assembly  
 Figure 18 (Sheet 19)

**71-11-56**

ILLUSTRATED PARTS LIST  
 01.1 Page 1094P  
 Nov 01/04

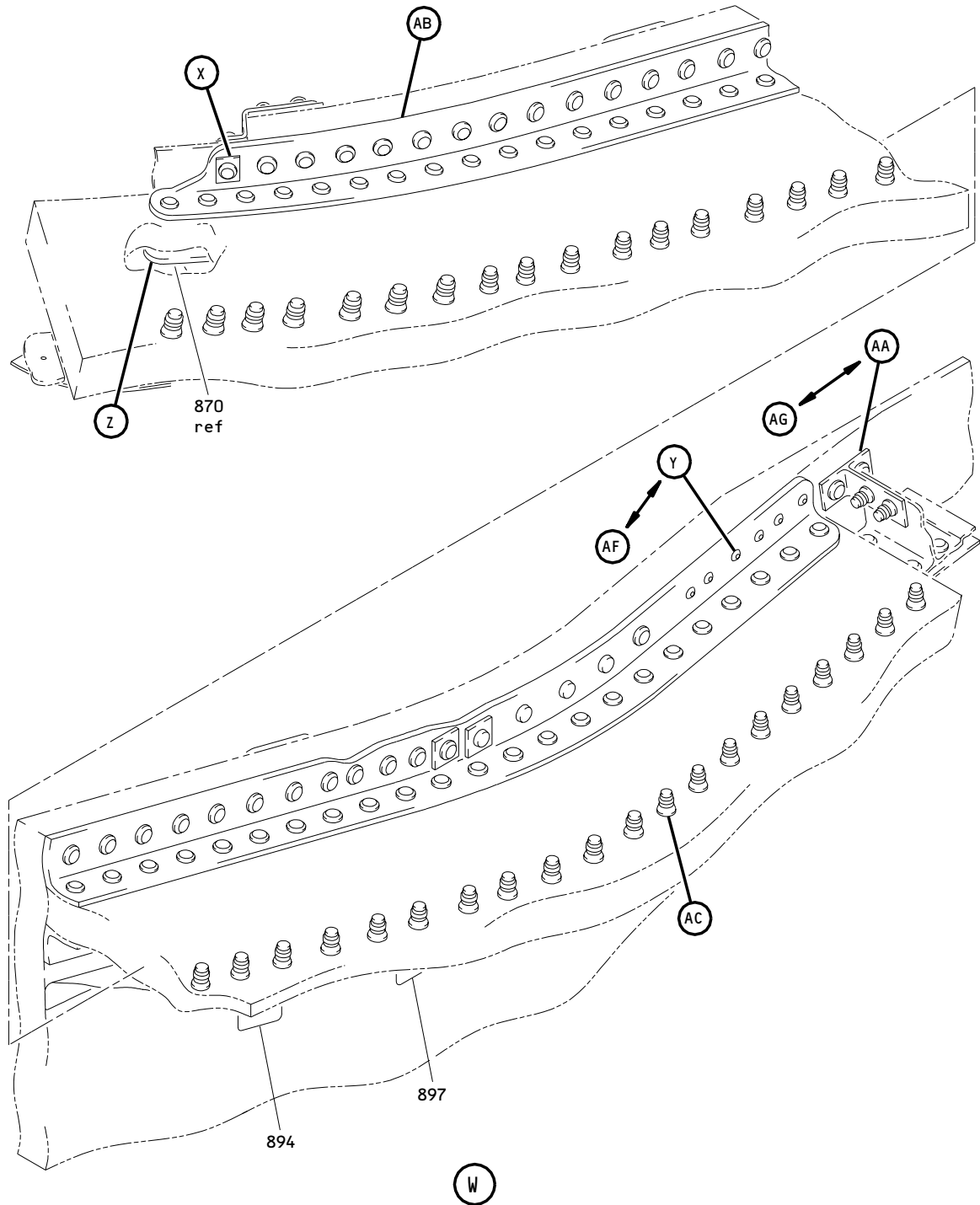




Engine Outboard and Inboard Side Fan Duct Cowl Assembly  
Figure 18 (Sheet 21)

**71-11-56**

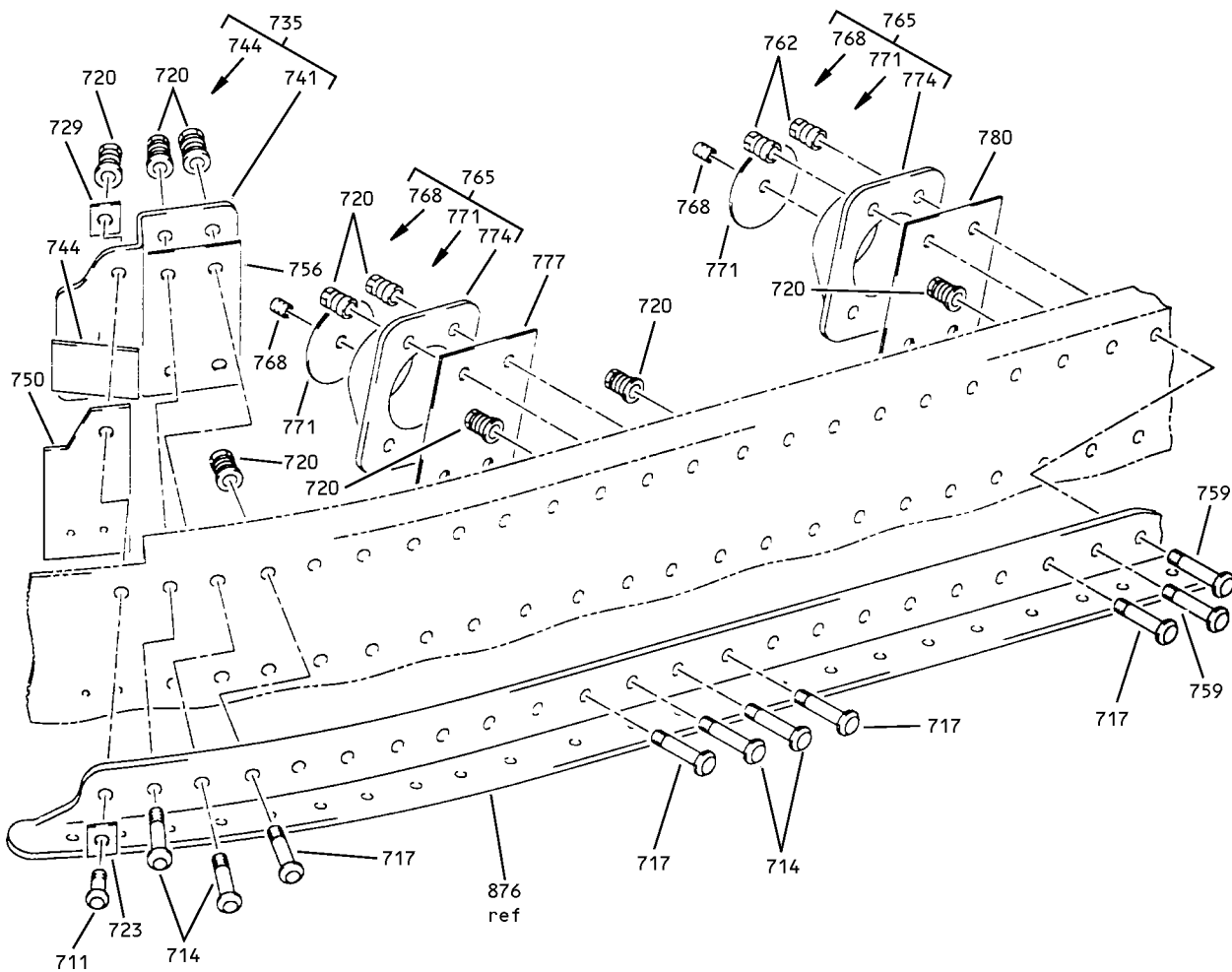
ILLUSTRATED PARTS LIST  
01.1 Page 1094R  
Nov 01/04



Engine Outboard and Inboard Side Fan Duct Cowl Assembly  
Figure 18 (Sheet 22)

**71-11-56**

ILLUSTRATED PARTS LIST  
01.1 Page 1094S  
Nov 01/04

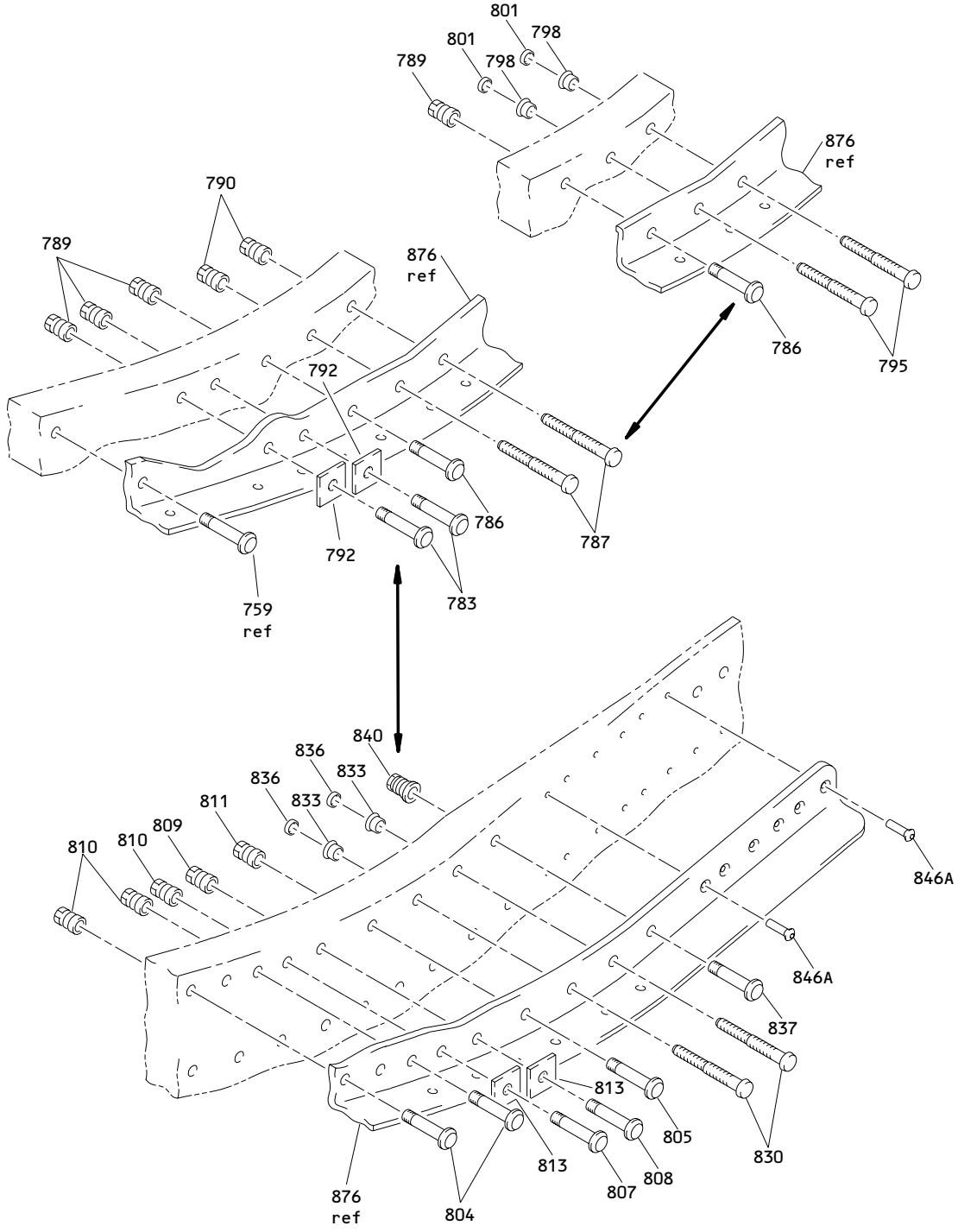


(X)

Engine Outboard and Inboard Side Fan Duct Cowl Assembly  
 Figure 18 (Sheet 23)

**71-11-56**

ILLUSTRATED PARTS LIST  
 01.1 Page 1094T  
 Nov 01/04



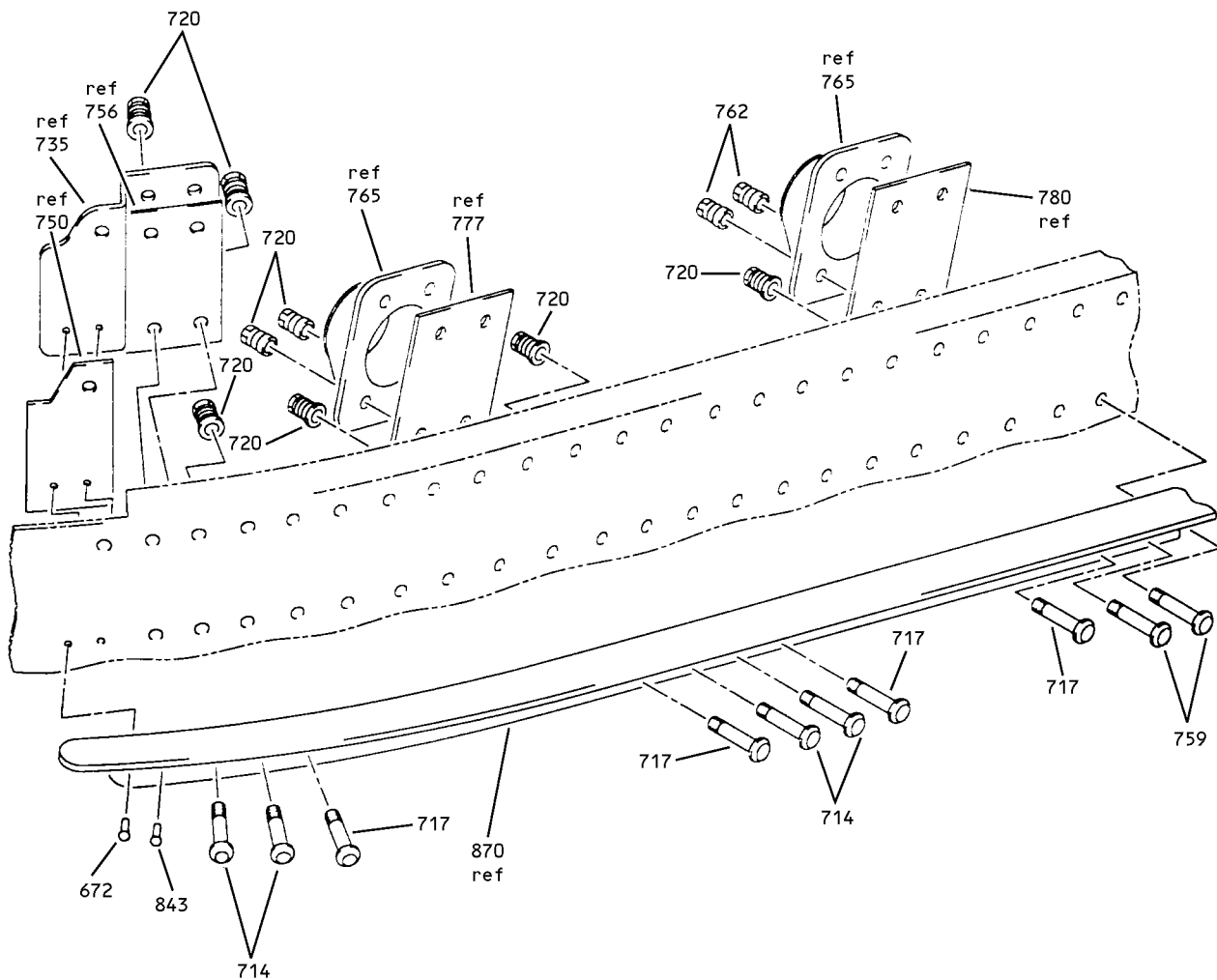
Y

Engine Outboard and Inboard Side Fan Duct Cowl Assembly  
Figure 18 (Sheet 24)

**71-11-56**

ILLUSTRATED PARTS LIST  
01.1 Page 1094U  
Nov 01/04



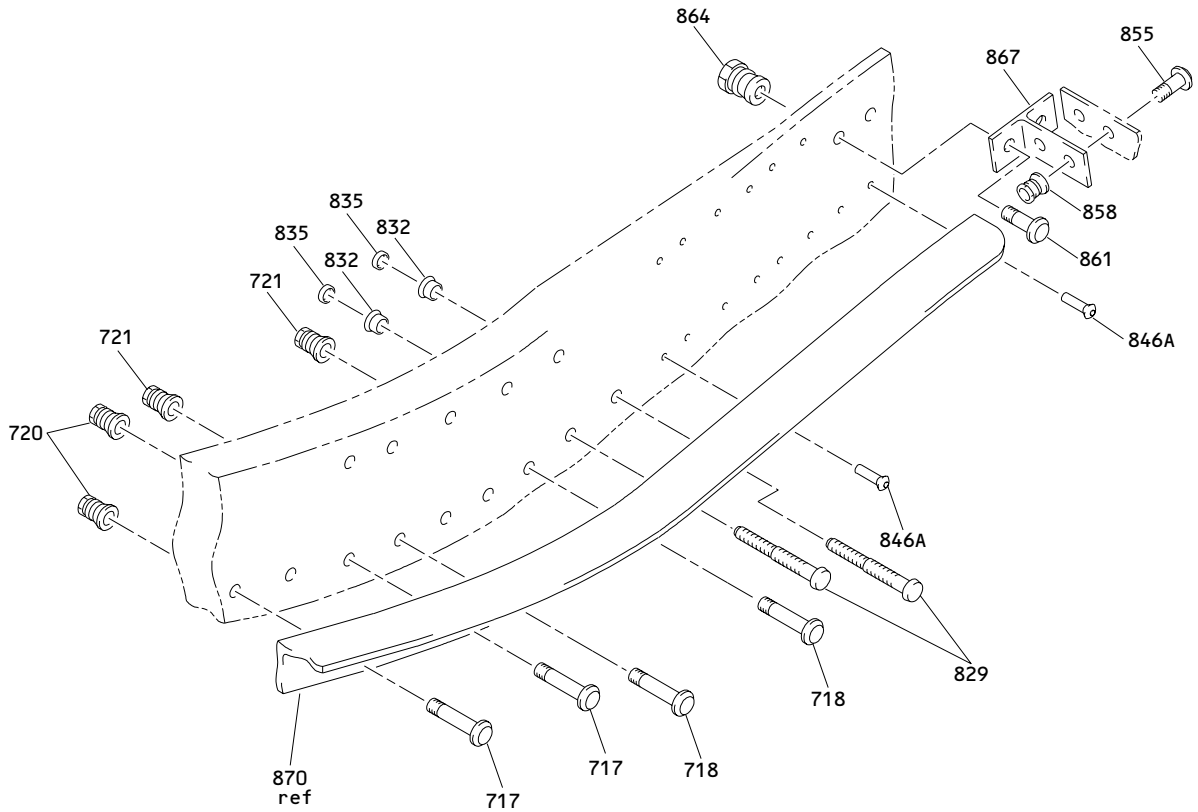


(Z)

Engine Outboard and Inboard Side Fan Duct Cowl Assembly  
Figure 18 (Sheet 25)

**71-11-56**

ILLUSTRATED PARTS LIST  
01.1 Page 1094V  
Nov 01/04

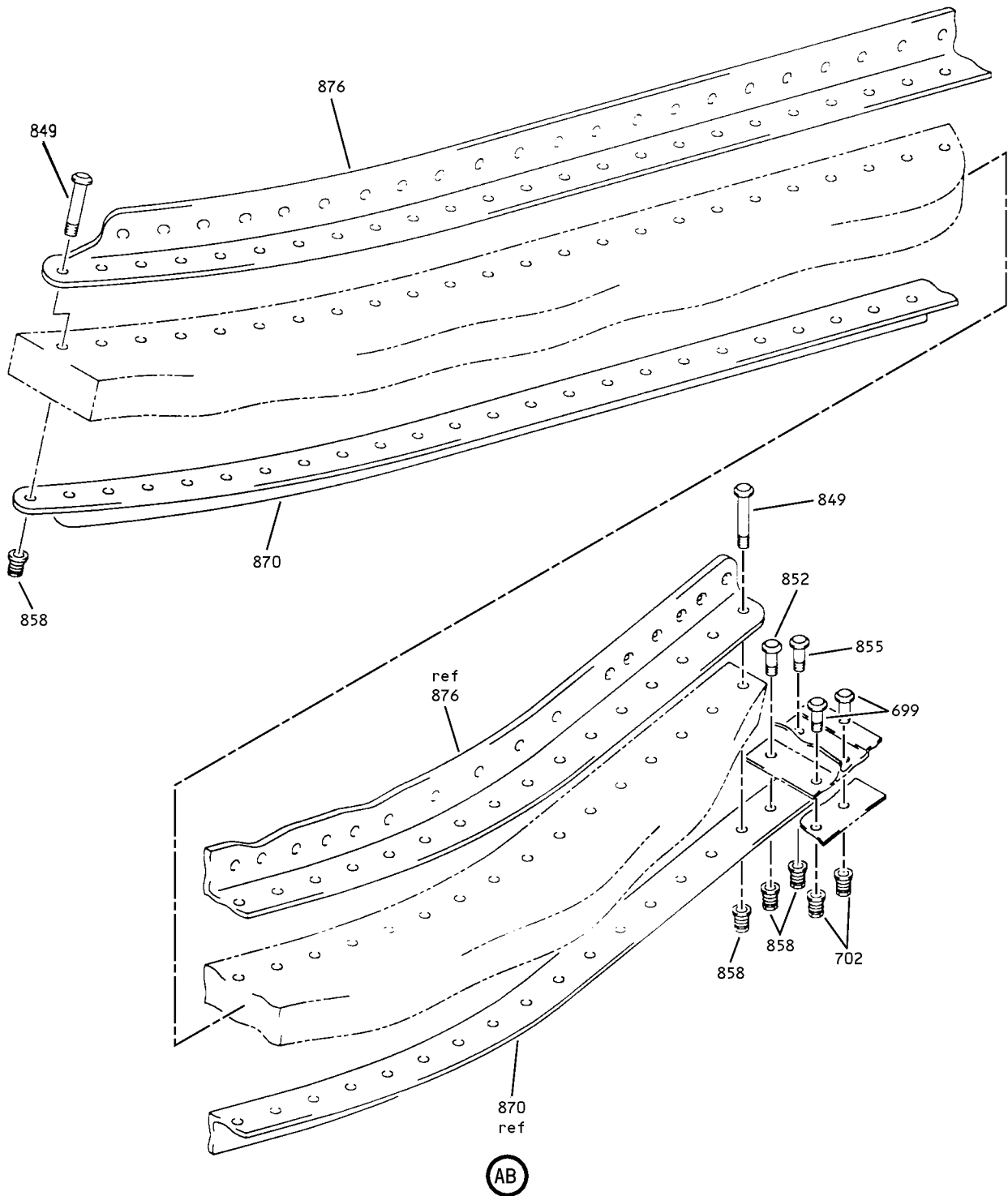


AA

Engine Outboard and Inboard Side Fan Duct Cowl Assembly  
Figure 18 (Sheet 26)

**71-11-56**

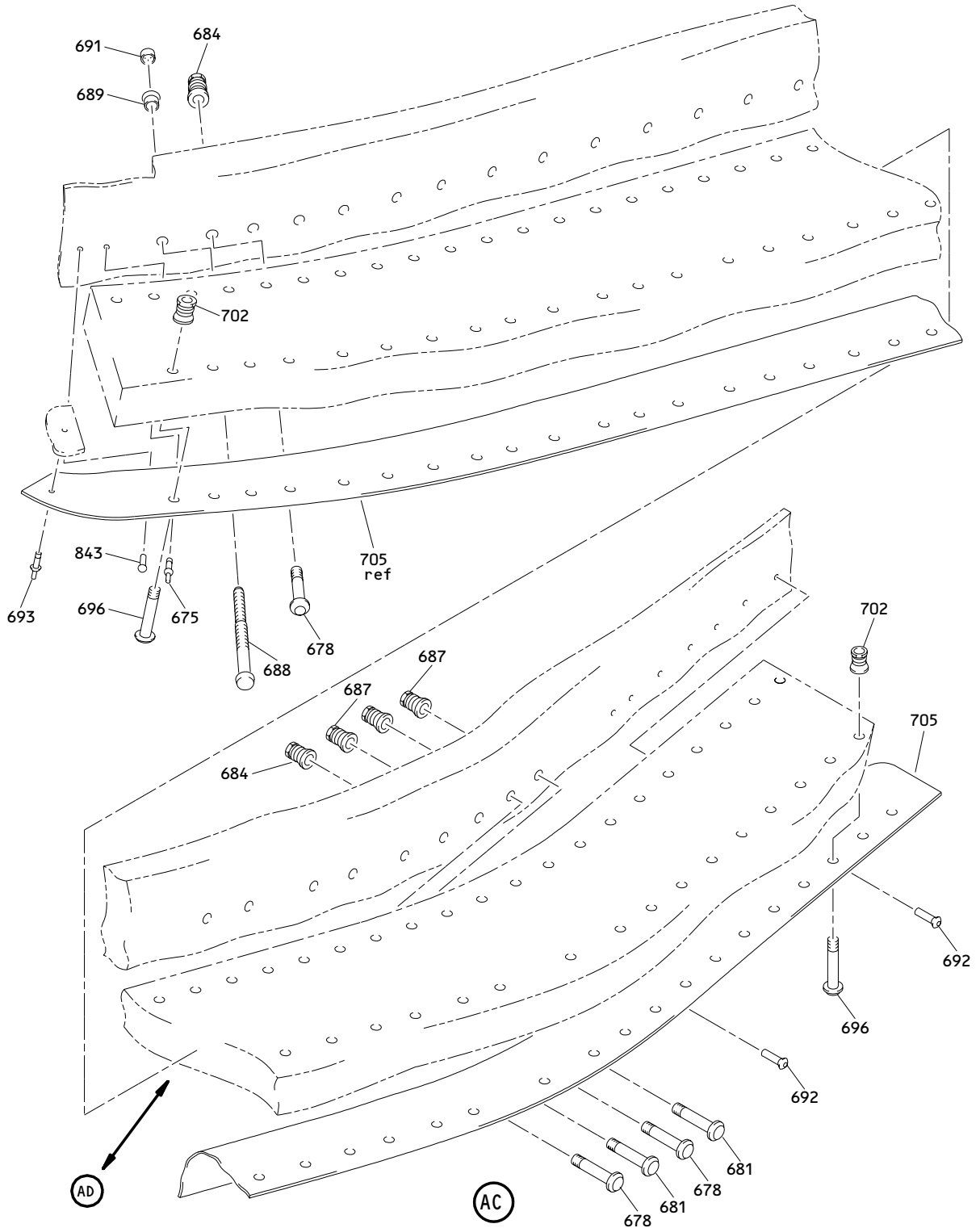
ILLUSTRATED PARTS LIST  
01.1 Page 1094W  
Nov 01/04



Engine Outboard and Inboard Side Fan Duct Cowl Assembly  
Figure 18 (Sheet 27)

**71-11-56**

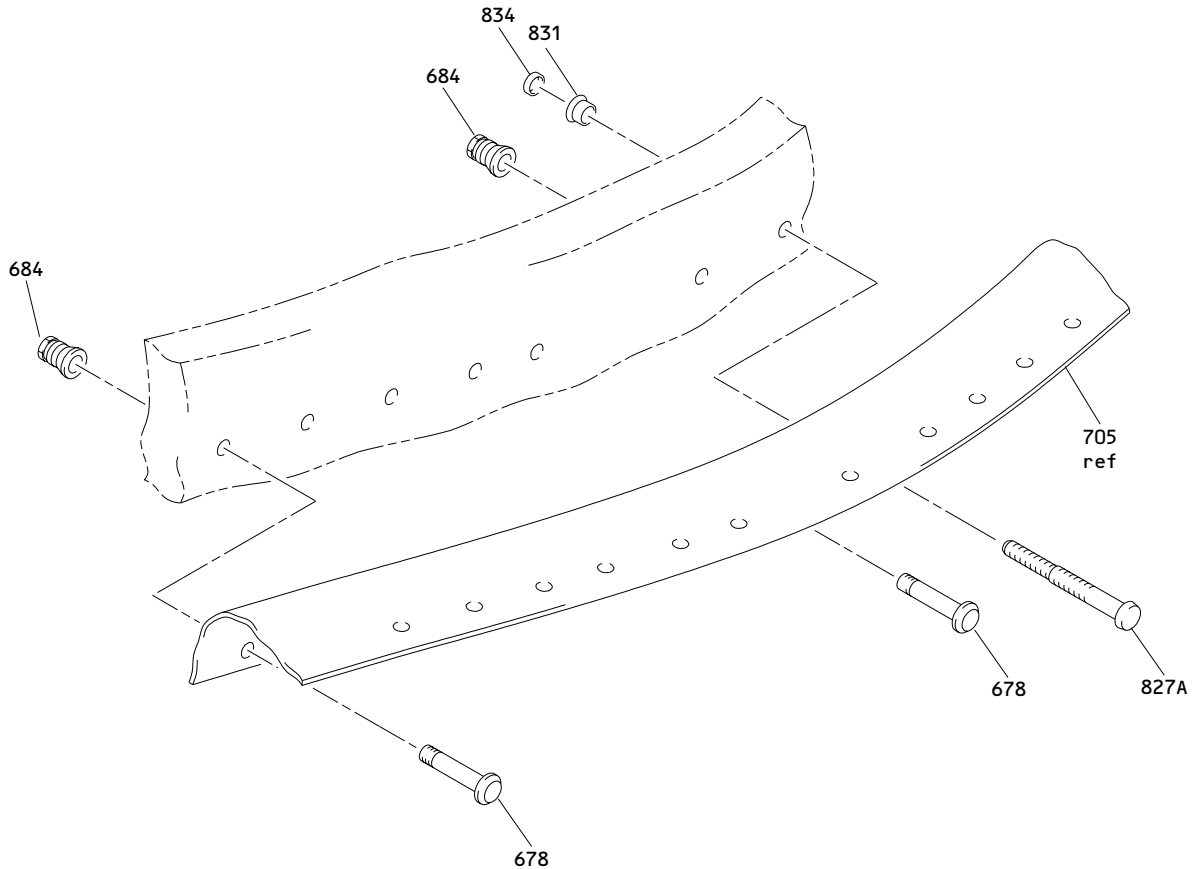
ILLUSTRATED PARTS LIST  
01.1 Page 1094X  
Nov 01/04



Engine Outboard and Inboard Side Fan Duct Cowl Assembly  
Figure 18 (Sheet 28)

**71-11-56**

ILLUSTRATED PARTS LIST  
01.1 Page 1094Y  
Nov 01/04

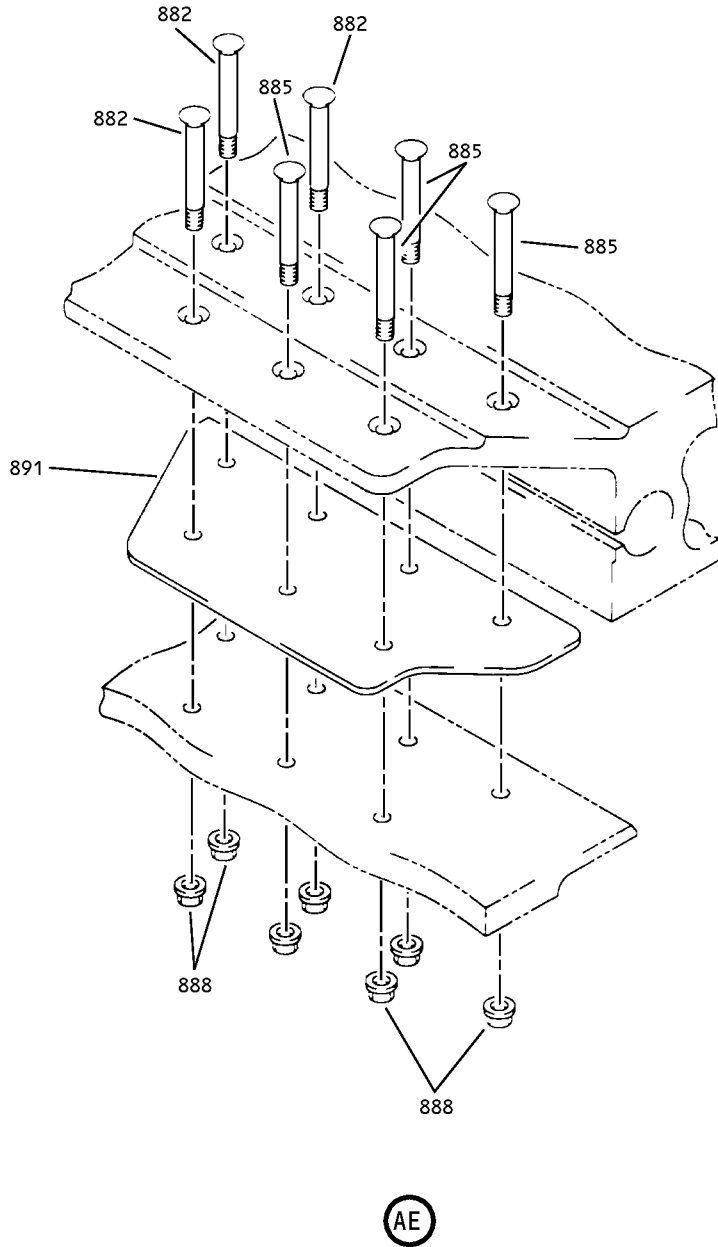


AD

Engine Outboard and Inboard Side Fan Duct Cowl Assembly  
Figure 18 (Sheet 29)

**71-11-56**

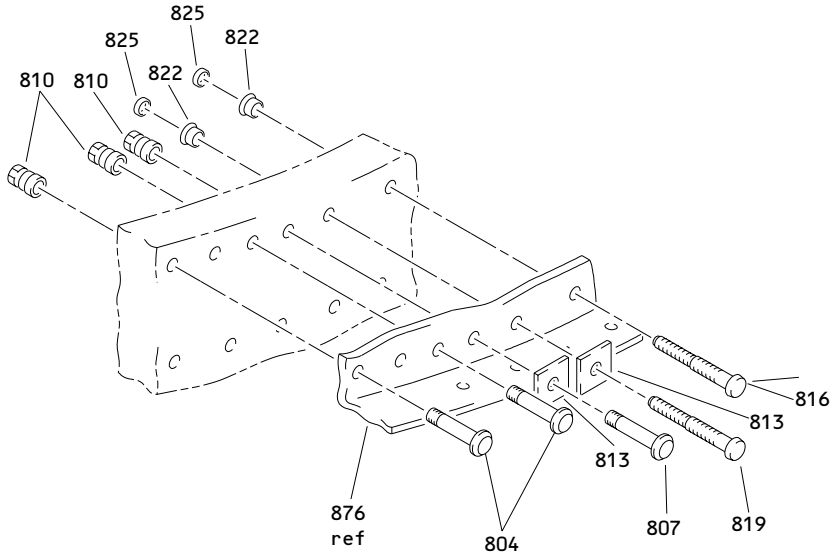
ILLUSTRATED PARTS LIST  
01.1 Page 1094Z  
Nov 01/04



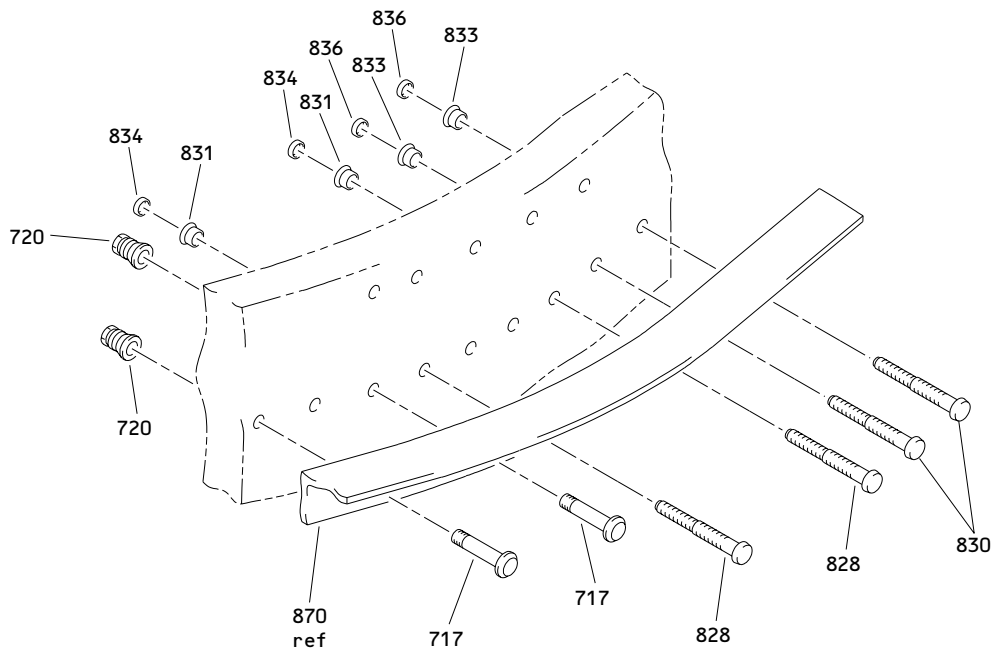
Engine Outboard and Inboard Side Fan Duct Cowl Assembly  
Figure 18 (Sheet 30)

**71-11-56**

ILLUSTRATED PARTS LIST  
01.1 Page 1095  
Nov 01/04



(AF)



(AG)

Engine Outboard and Inboard Side Fan Duct Cowl Assembly  
 Figure 18 (Sheet 31)

**71-11-56**

ILLUSTRATED PARTS LIST  
 01.1 Page 1096  
 Nov 01/04

 **BOEING**  
COMPONENT  
MAINTENANCE MANUAL

| FIG. & ITEM | PART NO.     | AIRLINE PART NUMBER | NOMENCLATURE<br>1234567  | EFF CODE | QTY PER ASSY |
|-------------|--------------|---------------------|--|----------|--------------|
| 18-         |              |                     | FAN DUCT COWL ASSY<br>(767/747)  | CA-DR    |              |
| -1A         | 315T4013-115 |                     | COWL ASSY-FAN DUCT<br>(LH SIDE, LH ENG)(767)<br>* 1!<br>(REWORKED BY<br>SB 767-78A0079)<br>(PRE SB 767-78A0079R3)          | CA       | RF           |
| -1B         | 315T4013-119 |                     | COWL ASSY-FAN DUCT<br>(LH SIDE, NO. 1 AND 2<br>ENG)(747) * 1!<br>(REWORKED BY<br>SB 747-78A2164)<br>(PRE SB 747-78A2164R3) | CB       | RF           |
| -1C         | 315T4013-123 |                     | COWL ASSY-FAN DUCT<br>(LH SIDE, LH ENG)(767)<br>* 1!<br>(REWORKED BY<br>SB 767-78A0079)<br>(PRE SB 767-78A0079R3)          | CC       | RF           |
| -1D         | 315T4013-127 |                     | COWL ASSY-FAN DUCT<br>(LH SIDE, NO. 1 AND 2<br>ENG)(747) * 1!<br>(REWORKED BY<br>SB 747-78A2164)<br>(PRE SB 747-78A2164R3) | CD       | RF           |
| -1E         | 315T4013-135 |                     | COWL ASSY-FAN DUCT<br>(LH SIDE, LH ENG)(767)<br>* 1!<br>(REWORKED BY<br>SB 767-78A0079)<br>(PRE SB 767-78A0079R3)          | CE       | RF           |
| -1F         | 315T4013-145 |                     | COWL ASSY-FAN DUCT<br>(LH SIDE, NO. 1 ENG)(747)<br>* 1!<br>(REWORKED BY<br>SB 747-78A2164)<br>(PRE SB 747-78A2164R3)       | CF       | RF           |
| -1G         | 315T4013-147 |                     | COWL ASSY-FAN DUCT<br>(LH SIDE, NO. 2 ENG)(747)<br>* 1!<br>(REWORKED BY<br>SB 747-78A2164)<br>(PRE SB 747-78A2164R3)       | CG       | RF           |

71-11-56

ILLUSTRATED PARTS LIST  
01.1 Page 1096A  
Nov 01/04



| FIG. & ITEM | PART NO.     | AIRLINE PART NUMBER | NOMENCLATURE<br>1234567  | EFF CODE | QTY PER ASSY |
|-------------|--------------|---------------------|--|----------|--------------|
| 18-<br>-1H  | 315T4013-165 |                     | COWL ASSY-FAN DUCT<br>(LH SIDE, NO. 1 ENG)(767)<br>* 1!<br>(REWORKED BY<br>SB 767-78A0079)<br>(PRE SB 767-78A0079R3) | DL       | RF           |
| -1J         | 315T4013-169 |                     | COWL ASSY-FAN DUCT<br>(LH SIDE, NO. 1 ENG)(747)<br>* 1!<br>(REWORKED BY<br>SB 747-78A2164)<br>(PRE SB 747-78A2164R3) | DM       | RF           |
| -1K         | 315T4013-171 |                     | COWL ASSY-FAN DUCT<br>(LH SIDE, NO. 2 ENG)(747)<br>* 1!<br>(REWORKED BY<br>SB 747-78A2164)<br>(PRE SB 747-78A2164R3) | DN       | RF           |
| -1L         | 315T4013-177 |                     | COWL ASSY-FAN DUCT<br>(LH SIDE, NO. 1 ENG)(747)<br>* 1!<br>(REWORKED BY<br>SB 747-78A2164)<br>(PRE SB 747-78A2164R3) | DX       | RF           |
| -1M         | 315T4013-179 |                     | COWL ASSY-FAN DUCT<br>(LH SIDE, NO. 2 ENG)(747)<br>* 1!<br>(REWORKED BY<br>SB 747-78A2164)<br>(PRE SB 747-78A2164R3) | DY       | RF           |
| -1N         | 315T4013-185 |                     | COWL ASSY-FAN DUCT<br>(LH SIDE, NO. 1 ENG)(767)<br>* 1!<br>(REWORKED BY<br>SB 767-78A0079)<br>(PRE SB 767-78A0079R3) | DW       | RF           |
| -3          | 315T4013-116 |                     | COWL ASSY-FAN DUCT<br>(RH SIDE, LH ENG)(767)<br>* 1!<br>(REWORKED BY<br>SB 767-78A0079)<br>(PRE SB 767-78A0079R3)    | CH       | RF           |

# 71-11-56

 ILLUSTRATED PARTS LIST  
 01.1 Page 1096B  
 Nov 01/04

 **BOEING**  
COMPONENT  
MAINTENANCE MANUAL

| FIG. & ITEM | PART NO.     | AIRLINE PART NUMBER | NOMENCLATURE<br>1234567  | EFF CODE | QTY PER ASSY |
|-------------|--------------|---------------------|--|----------|--------------|
| 18-<br>-3A  | 315T4013-120 |                     | COWL ASSY-FAN DUCT<br>(RH SIDE, NO. 1 AND 2<br>ENG)(747) * 1!<br>(REWORKED BY<br>SB 747-78A2164)<br>(PRE SB 747-78A2164R3) | CJ       | RF           |
| -3B         | 315T4013-124 |                     | COWL ASSY-FAN DUCT<br>(RH SIDE, LH ENG)(767)<br>* 1!<br>(REWORKED BY<br>SB 767-78A0079)<br>(PRE SB 767-78A0079R3)          | CK       | RF           |
| -3C         | 315T4013-128 |                     | COWL ASSY-FAN DUCT<br>(RH SIDE, NO. 1 AND 2<br>ENG)(747) * 1!<br>(REWORKED BY<br>SB 747-78A2164)<br>(PRE SB 747-78A2164R3) | CL       | RF           |
| -3D         | 315T4013-136 |                     | COWL ASSY-FAN DUCT<br>(RH SIDE, LH ENG)(767)<br>* 1!<br>(REWORKED BY<br>SB 767-78A0079)<br>(PRE SB 767-78A0079R3)          | CM       | RF           |
| -3E         | 315T4013-146 |                     | COWL ASSY-FAN DUCT<br>(RH SIDE, NO. 1 ENG)(747)<br>* 1!<br>(REWORKED BY<br>SB 747-78A2164)<br>(PRE SB 747-78A2164R3)       | CN       | RF           |
| -3F         | 315T4013-148 |                     | COWL ASSY-FAN DUCT<br>(RH SIDE, NO. 2 ENG)(747)<br>* 1!<br>(REWORKED BY<br>SB 747-78A2164)<br>(PRE SB 747-78A2164R3)       | CP       | RF           |
| -3G         | 315T4013-154 |                     | COWL ASSY-FAN DUCT<br>(RH SIDE, LH ENG)(767)<br>* 1!<br>(REWORKED BY<br>SB 767-78A0079)<br>(PRE SB 767-78A0079R3)          | CQ       | RF           |

71-11-56

ILLUSTRATED PARTS LIST  
01.1 Page 1096C  
Nov 01/04

| FIG. & ITEM | PART NO.     | AIRLINE PART NUMBER | NOMENCLATURE<br>1234567  | EFF CODE | QTY PER ASSY |
|-------------|--------------|---------------------|--|----------|--------------|
| 18-<br>-3H  | 315T4013-158 |                     | COWL ASSY-FAN DUCT<br>(RH SIDE, NO. 1 ENG)(747)<br>* 1!<br>(REWORKED BY<br>SB 747-78A2164)<br>(PRE SB 747-78A2164R3)       | CR       | RF           |
| -3J         | 315T4013-160 |                     | COWL ASSY-FAN DUCT<br>(RH SIDE, NO. 2 ENG)(747)<br>* 1!<br>(REWORKED BY<br>SB 747-78A2164)<br>(PRE SB 747-78A2164R3)       | CS       | RF           |
| -3K         | 315T4013-176 |                     | COWL ASSY-FAN DUCT<br>(RH SIDE, NO. 1 ENG)(747)<br>* 1!<br>(REWORKED BY<br>SB 747-78A2164)<br>(PRE SB 747-78A2164R3)       | DZ       | RF           |
| -3L         | 315T4013-178 |                     | COWL ASSY-FAN DUCT<br>(RH SIDE, NO. 2 ENG)(747)<br>* 1!<br>(REWORKED BY<br>SB 747-78A2164)<br>(PRE SB 747-78A2164R3)       | EA       | RF           |
| -3M         | 315T4013-186 |                     | COWL ASSY-FAN DUCT<br>(RH SIDE, LH ENG)(767)<br>* 1!<br>(REWORKED BY<br>SB 767-78A0079)<br>(PRE SB 767-78A0079R3)          | EB       | RF           |
| -6          | 315T4013-117 |                     | COWL ASSY-FAN DUCT<br>(LH SIDE, RH ENG)(767)<br>* 1!<br>(REWORKED BY<br>SB 767-78A0079)<br>(PRE SB 767-78A0079R3)          | CT       | RF           |
| -6A         | 315T4013-121 |                     | COWL ASSY-FAN DUCT<br>(LH SIDE, NO. 3 AND 4<br>ENG)(747) * 1!<br>(REWORKED BY<br>SB 747-78A2164)<br>(PRE SB 747-78A2164R3) | CU       | RF           |

# 71-11-56

 ILLUSTRATED PARTS LIST  
 01.1 Page 1096D  
 Nov 01/04

 **BOEING**  
COMPONENT  
MAINTENANCE MANUAL

| FIG. & ITEM | PART NO.     | AIRLINE PART NUMBER | NOMENCLATURE<br>1234567  | EFF CODE | QTY PER ASSY |
|-------------|--------------|---------------------|--|----------|--------------|
| 18-<br>-6B  | 315T4013-125 |                     | COWL ASSY-FAN DUCT<br>(LH SIDE, RH ENG)(767)<br>* 1!<br>(REWORKED BY<br>SB 767-78A0079)<br>(PRE SB 767-78A0079R3)          | CV       | RF           |
| -6C         | 315T4013-131 |                     | COWL ASSY-FAN DUCT<br>(LH SIDE, NO. 3 AND 4<br>ENG)(747) * 1!<br>(REWORKED BY<br>SB 747-78A2164)<br>(PRE SB 747-78A2164R3) | CW       | RF           |
| -6D         | 315T4013-137 |                     | COWL ASSY-FAN DUCT<br>(LH SIDE, RH ENG)(767)<br>* 1!<br>(REWORKED BY<br>SB 767-78A0079)<br>(PRE SB 767-78A0079R3)          | CX       | RF           |
| -6E         | 315T4013-149 |                     | COWL ASSY-FAN DUCT<br>(LH SIDE, NO. 3 ENG)(747)<br>* 1!<br>(REWORKED BY<br>SB 747-78A2164)<br>(PRE SB 747-78A2164R3)       | CY       | RF           |
| -6F         | 315T4013-151 |                     | COWL ASSY-FAN DUCT<br>(LH SIDE, NO. 4 ENG)(747)<br>* 1!<br>(REWORKED BY<br>SB 747-78A2164)<br>(PRE SB 747-78A2164R3)       | CZ       | RF           |
| -6G         | 315T4013-167 |                     | COWL ASSY-FAN DUCT<br>(LH SIDE, NO. 2 ENG)(767)<br>* 1!<br>(REWORKED BY<br>SB 767-78A0079)<br>(PRE SB 767-78A0079R3)       | DP       | RF           |
| -6H         | 315T4013-173 |                     | COWL ASSY-FAN DUCT<br>(LH SIDE, NO. 3 ENG)(747)<br>* 1!<br>(REWORKED BY<br>SB 747-78A2164)<br>(PRE SB 747-78A2164R3)       | DQ       | RF           |

71-11-56

ILLUSTRATED PARTS LIST  
01.1 Page 1096E  
Nov 01/04

| FIG. & ITEM | PART NO.     | AIRLINE PART NUMBER | NOMENCLATURE<br>1234567  | EFF CODE | QTY PER ASSY |
|-------------|--------------|---------------------|--|----------|--------------|
| 18-<br>-6J  | 315T4013-175 |                     | COWL ASSY-FAN DUCT<br>(LH SIDE, NO. 4 ENG)(747)<br>* 1!<br>(REWORKED BY<br>SB 747-78A2164)<br>(PRE SB 747-78A2164R3)       | DR       | RF           |
| -6K         | 315T4013-181 |                     | COWL ASSY-FAN DUCT<br>(LH SIDE, NO. 3 ENG)(747)<br>* 1!<br>(REWORKED BY<br>SB 747-78A2164)<br>(PRE SB 747-78A2164R3)       | EC       | RF           |
| -6L         | 315T4013-183 |                     | COWL ASSY-FAN DUCT<br>(LH SIDE, NO. 4 ENG)(747)<br>* 1!<br>(REWORKED BY<br>SB 747-78A2164)<br>(PRE SB 747-78A2164R3)       | ED       | RF           |
| -6M         | 315T4013-187 |                     | COWL ASSY-FAN DUCT<br>(LH SIDE, NO. 2 ENG)(767)<br>* 1!<br>(REWORKED BY<br>SB 767-78A0079)<br>(PRE SB 767-78A0079R3)       | EE       | RF           |
| -9          | 315T4013-118 |                     | COWL ASSY-FAN DUCT<br>(RH SIDE, RH ENG)(767)<br>* 1!<br>(REWORKED BY<br>SB 767-78A0079)<br>(PRE SB 767-78A0079R3)          | DA       | RF           |
| -9A         | 315T4013-122 |                     | COWL ASSY-FAN DUCT<br>(RH SIDE, NO. 3 AND 4<br>ENG)(747) * 1!<br>(REWORKED BY<br>SB 747-78A2164)<br>(PRE SB 747-78A2164R3) | DB       | RF           |
| -9B         | 315T4013-126 |                     | COWL ASSY-FAN DUCT<br>(RH SIDE, RH ENG)(767)<br>* 1!<br>(REWORKED BY<br>SB 767-78A0079)<br>(PRE SB 767-78A0079R3)          | DC       | RF           |

# 71-11-56



**BOEING**  
COMPONENT  
MAINTENANCE MANUAL

| FIG. & ITEM | PART NO.     | AIRLINE PART NUMBER | NOMENCLATURE<br>1234567  | EFF CODE | QTY PER ASSY |
|-------------|--------------|---------------------|--|----------|--------------|
| 18-<br>-9C  | 315T4013-132 |                     | COWL ASSY-FAN DUCT<br>(RH SIDE, NO. 3 AND 4<br>ENG)(747) * 1!<br>(REWORKED BY<br>SB 747-78A2164)<br>(PRE SB 747-78A2164R3) | DD       | RF           |
| -9D         | 315T4013-138 |                     | COWL ASSY-FAN DUCT<br>(RH SIDE, RH ENG)(767)<br>* 1!<br>(REWORKED BY<br>SB 767-78A0079)<br>(PRE SB 767-78A0079R3)          | DE       | RF           |
| -9E         | 315T4013-150 |                     | COWL ASSY-FAN DUCT<br>(RH SIDE, NO. 3 ENG)(747)<br>* 1!<br>(REWORKED BY<br>SB 747-78A2164)<br>(PRE SB 747-78A2164R3)       | DF       | RF           |
| -9F         | 315T4013-152 |                     | COWL ASSY-FAN DUCT<br>(RH SIDE, NO. 4 ENG)(747)<br>* 1!<br>(REWORKED BY<br>SB 747-78A2164)<br>(PRE SB 747-78A2164R3)       | DG       | RF           |
| -9G         | 315T4013-156 |                     | COWL ASSY-FAN DUCT<br>(RH SIDE, RH ENG)(767)<br>* 1!<br>(REWORKED BY<br>SB 767-78A0079)<br>(PRE SB 767-78A0079R3)          | DH       | RF           |
| -9H         | 315T4013-162 |                     | COWL ASSY-FAN DUCT<br>(RH SIDE, NO. 3 ENG)(747)<br>* 1!<br>(REWORKED BY<br>SB 747-78A2164)<br>(PRE SB 747-78A2164R3)       | DJ       | RF           |
| -9J         | 315T4013-164 |                     | COWL ASSY-FAN DUCT<br>(RH SIDE, NO. 4 ENG)(747)<br>* 1!<br>(REWORKED BY<br>SB 747-78A2164)<br>(PRE SB 747-78A2164R3)       | DK       | RF           |

71-11-56

ILLUSTRATED PARTS LIST  
01.1 Page 1096G  
Nov 01/04

| FIG. & ITEM | PART NO.     | AIRLINE PART NUMBER | NOMENCLATURE<br>1234567  | EFF CODE            | QTY PER ASSY |
|-------------|--------------|---------------------|--|---------------------|--------------|
| 18-9K       | 315T4013-180 |                     | COWL ASSY-FAN DUCT<br>(RH SIDE, NO. 3 ENG)(747)<br>* 1!<br>(REWORKED BY<br>SB 747-78A2164)<br>(PRE SB 747-78A2164R3) | EF                  | RF           |
| -9L         | 315T4013-182 |                     | COWL ASSY-FAN DUCT<br>(RH SIDE, NO. 4 ENG)(747)<br>* 1!<br>(REWORKED BY<br>SB 747-78A2164)<br>(PRE SB 747-78A2164R3) | EG                  | RF           |
| -9M         | 315T4013-188 |                     | COWL ASSY-FAN DUCT<br>(RH SIDE, RH ENG)(767)<br>* 1!<br>(REWORKED BY<br>SB 767-78A0079)<br>(PRE SB 767-78A0079R3)    | EH                  | RF           |
| 12          | BACB30NM4K8  |                     | .BOLT  | CA-DR<br>,DW-E<br>H | 54           |
| 15          | BACB30NM4K9  |                     | .BOLT  | CA-DR<br>,DW-E<br>H | 35           |
| 18          | BACB30MR4K9  |                     | .BOLT  | CA-DR<br>,DW-E<br>H | 1            |
| 21          | AN96OKD416L  |                     | .WASHER  | CA-DR<br>,DW-E<br>H | 70           |
| 24          | AN96OKD416   |                     | .WASHER  | CA-DR<br>,DW-E<br>H | 56           |
| 27          | BACF3T03E8-8 |                     | .FILLER  | CA-DR<br>,DW-E<br>H | 1            |
| 30          | BACR15BA3AD  |                     | .RIVET-<br>(SIZE DETERMINE ON INST)  | CA-DR<br>,DW-E<br>H | 108          |
| 33          | NS202495-048 |                     | .NUTPLATE-<br>(V80539)<br>(SPEC BACN10KE4DCD)<br>(OPT F51753-4CD<br>(V15653))  | CA-DR<br>,DW-E<br>H | 54           |

# 71-11-56

 ILLUSTRATED PARTS LIST  
 01.1 Page 1096H  
 Nov 01/04

 **BOEING**  
COMPONENT  
MAINTENANCE MANUAL

| FIG. & ITEM | PART NO.    | AIRLINE PART NUMBER | NOMENCLATURE<br>1234567  | EFF CODE   | QTY PER ASSY |
|-------------|-------------|---------------------|--|--|--------------|
| 18-36       | 315T4210-1  |                     | .CASCADE ASSY-RADIAL FLOW  | CA-CG<br>,CT-C<br>Z,D<br>L-DR,<br>DW-DY<br>EC-EE | 1            |
| 39          | 315T4210-2  |                     | .CASCADE ASSY-RADIAL FLOW  | CH-CS<br>,DA-D<br>K,D<br>Z-EB,<br>EF-EH          | 1            |
| 42          | BACR15CE3B  |                     | ..RIVET-<br>(SIZE DETERMINE ON INST)   | CA-DR<br>,DW-E<br>H                              | 8            |
| 45          | BRF100C4D   |                     | ..NUTPLATE-<br>(V52828)<br>(SPEC BACN10KB4CFD)<br>(OPT NS202478-048<br>(V80539))<br>(OPT 102F9207P4<br>(V72962))<br>(OPT F51604-4<br>(V15653))                                     | CA-DR<br>,DW-E<br>H                              | 2            |
| 48          | 315T4210-10 |                     | ..SPACER-RADIUS FILLER   | CA-DR<br>,DW-E<br>H                              | 2            |
| 51          | BRF200C4D   |                     | ..NUTPLATE-<br>(V52828)<br>(SPEC BACN10JR4CFD)<br>(OPT K51602-4BAC<br>(V15653))<br>(OPT NS202476-048<br>(V80539))<br>(OPT 102F9201-4<br>(V72962))<br>(OPT T8092C428CD<br>(V11815)) | CA-DR<br>,DW-E<br>H                              | 2            |

71-11-56

ILLUSTRATED PARTS LIST  
01.1 Page 1096I  
Nov 01/04



| FIG. & ITEM | PART NO.    | AIRLINE PART NUMBER | NOMENCLATURE<br>1234567              | EFF CODE   | QTY PER ASSY |
|-------------|-------------|---------------------|--------------------------------------|--|--------------|
| 18-54       | 315T4210-9  |                     | ..SPACER-RADIUS FILLER               | CA-DR<br>,DW-E<br>H                              | 2            |
| 57          | BACR15BB3B  |                     | ..RIVET-<br>(SIZE DETERMINE ON INST) | CA-DR<br>,DW-E<br>H                              | 2            |
| 60          | 69B97503-1  |                     | ..TAG-IDENT<br>(OPT ITEM 60A)        | CA-DR<br>,DW-E<br>H                              | 1            |
| -60A        | 315T4210-11 |                     | ..TAG-IDENT<br>(OPT ITEM 60)         | CA-DR<br>,DW-E<br>H                              | 1            |
| 63          | 315T4210-5  |                     | ..CASCADE                            | CA-CG<br>,CT-C<br>Z,D<br>L-DR,<br>DW-DY<br>EC-EE | 1            |
| -66         | 315T4210-6  |                     | ..CASCADE                            | CH-CS<br>,DA-D<br>K,D<br>Z-EB,<br>EF-EH          | 1            |
| 69          | 315T4210-3  |                     | .CASCADE ASSY-RADIAL FLOW            | CA-CG<br>,DL-D<br>N,D<br>W-DY                    | 4            |
| 72          | 315T4210-3  |                     | .CASCADE ASSY-RADIAL FLOW            | DA-DK<br>,EF-E<br>H                              | 4            |

# 71-11-56

 ILLUSTRATED PARTS LIST  
 01.1 Page 1096J  
 Nov 01/04

**BOEING**  
COMPONENT  
MAINTENANCE MANUAL

| FIG. & ITEM | PART NO.   | AIRLINE PART NUMBER | NOMENCLATURE<br>1234567              | EFF CODE   | QTY PER ASSY |
|-------------|------------|---------------------|--------------------------------------|--|--------------|
| 18-75       | 315T4210-3 |                     | .CASCADE ASSY-RADIAL FLOW            | CT-CZ<br>,DP-D<br>R,E<br>C-EE  | 1            |
| 78          | 315T4210-3 |                     | .CASCADE ASSY-RADIAL FLOW            | CH-CS<br>,DZ-<br>EB  | 1            |
| 81          | 315T4210-3 |                     | .CASCADE ASSY-RADIAL FLOW            | CA,CC<br>,CE,D<br>L,DY   | 1            |
| 84          | 315T4210-3 |                     | .CASCADE ASSY-RADIAL FLOW            | DA,DC<br>,DE,D<br>H,EH   | 1            |
| 87          | BACR15CE3B |                     | ..RIVET-<br>(SIZE DETERMINE ON INST) | CA,CC<br>,CE,<br>DA,DC<br>,DE,D<br>H,DL<br>DY,EH                                   | 8            |
| -87A        | BACR15CE3B |                     | ..RIVET-<br>(SIZE DETERMINE ON INST) | CB,CD<br>,CF,C<br>G,DB,<br>DD,DF<br>,DG<br>DJ,DK<br>,DM,D<br>N,DW,<br>DX,EF<br>,EG | 8            |
| -87B        | BACR15CE3B |                     | ..RIVET-<br>(SIZE DETERMINE ON INST) | CH-CZ<br>,DP-D<br>R,D<br>Z-EE  | 8            |

71-11-56

ILLUSTRATED PARTS LIST  
01.1 Page 1096K  
Nov 01/04

| FIG. & ITEM | PART NO.    | AIRLINE PART NUMBER | NOMENCLATURE<br>1234567  | EFF CODE   | QTY PER ASSY |
|-------------|-------------|---------------------|--|--|--------------|
| 18-90       | BRF100C4D   |                     | ..NUTPLATE-<br>(V52828)<br>(SPEC BACN10KB4CFD)<br>(OPT NS202478-048<br>(V80539))<br>(OPT 102F9207P4<br>(V72962))<br>(OPT F51604-4<br>(V15653)) | CA,CC<br>,CE,<br>DA,DC<br>,DE,D<br>H,DL<br>DY,EH                                   | 2            |
| -90A        | BRF100C4D   |                     | ..NUTPLATE-<br>(V52828)<br>(SPEC BACN10KB4CFD)<br>(OPT NS202478-048<br>(V80539))<br>(OPT 102F9207P4<br>(V72962))<br>(OPT F51604-4<br>(V15653)) | CB,CD<br>,CF,C<br>G,DB,<br>DD,DF<br>,DG<br>DJ,DK<br>,DM,D<br>N,DW,<br>DX,EF<br>,EG | 2            |
| -90B        | BRF100C4D   |                     | ..NUTPLATE-<br>(V52828)<br>(SPEC BACN10KB4CFD)<br>(OPT NS202478-048<br>(V80539))<br>(OPT 102F9207P4<br>(V72962))<br>(OPT F51604-4<br>(V15653)) | CH-CZ<br>,DP-D<br>R,D<br>Z-EE  | 2            |
| 93          | 315T4210-10 |                     | ..SPACER-RADIUS FILLER   | CA,CC<br>,CE,<br>DA,DC<br>,DE,D<br>H,DL<br>DY,EH                                   | 2            |

# 71-11-56

 ILLUSTRATED PARTS LIST  
 01.1 Page 1096L  
 Nov 01/04

 **BOEING**  
COMPONENT  
MAINTENANCE MANUAL

| FIG. & ITEM | PART NO.    | AIRLINE PART NUMBER | NOMENCLATURE<br>1234567  | EFF CODE   | QTY PER ASSY |
|-------------|-------------|---------------------|--|--|--------------|
| 18-<br>-93A | 315T4210-10 |                     | ..SPACER-RADIUS FILLER   | CB,CD<br>,CF,C<br>G,DB,<br>DD,DF<br>,DG<br>DJ,DK<br>,DM,D<br>N,DW,<br>DX,EF<br>,EG | 2            |
| -93B        | 315T4210-10 |                     | ..SPACER-RADIUS FILLER   | CH-CZ<br>,DP-D<br>R,D<br>Z-EE  | 2            |
| 96          | BRF200C4D   |                     | ..NUTPLATE-<br>(V52828)<br>(SPEC BACN10JR4CFD)<br>(OPT K51602-4BAC<br>(V15653))<br>(OPT NS202476-048<br>(V80539))<br>(OPT 102F9201-4<br>(V72962))<br>(OPT T8092C428CD<br>(V11815)) | CA,CC<br>,CE,<br>DA,DC<br>,DE,D<br>H,DL<br>DY,EH                                   | 2            |
| -96A        | BRF200C4D   |                     | ..NUTPLATE-<br>(V52828)<br>(SPEC BACN10JR4CFD)<br>(OPT K51602-4BAC<br>(V15653))<br>(OPT NS202476-048<br>(V80539))<br>(OPT 102F9201-4<br>(V72962))<br>(OPT T8092C428CD<br>(V11815)) | CB,CD<br>,CF,C<br>G,DB,<br>DD,DF<br>,DG<br>DJ,DK<br>,DM,D<br>N,DW,<br>DX,EF<br>,EG | 2            |

71-11-56

ILLUSTRATED PARTS LIST  
01.1 Page 1096M  
Nov 01/04

| FIG. & ITEM | PART NO.   | AIRLINE PART NUMBER | NOMENCLATURE<br>1234567  | EFF CODE   | QTY PER ASSY |
|-------------|------------|---------------------|--|--|--------------|
| 18-<br>-96B | BRF200C4D  |                     | ..NUTPLATE-<br>(V52828)<br>(SPEC BACN10JR4CFD)<br>(OPT K51602-4BAC<br>(V15653))<br>(OPT NS202476-048<br>(V80539))<br>(OPT 102F9201-4<br>(V72962))<br>(OPT T8092C428CD<br>(V11815)) | CH-CZ<br>,DP-D<br>R,D<br>Z-EE  | 2            |
| 99          | 315T4210-9 |                     | ..SPACER-RADIUS FILLER   | CA,CC<br>,CE,<br>DA,DC<br>,DE,D<br>H,DL<br>DY,EH                                   | 2            |
| -99A        | 315T4210-9 |                     | ..SPACER-RADIUS FILLER   | CB,CD<br>,CF,C<br>G,DB,<br>DD,DF<br>,DG<br>DJ,DK<br>,DM,D<br>N,DW,<br>DX,EF<br>,EG | 2            |
| -99B        | 315T4210-9 |                     | ..SPACER-RADIUS FILLER   | CH-CZ<br>,DP-D<br>R,D<br>Z-EE  | 2            |
| 102         | BACR15BB3B |                     | ..RIVET-<br>(SIZE DETERMINE ON INST)   | CA,CC<br>,CE,<br>DA,DC<br>,DE,D<br>H,DL<br>DY-EH                                   | 2            |

# 71-11-56

 ILLUSTRATED PARTS LIST  
 01.1 Page 1096N  
 Nov 01/04

 **BOEING**  
COMPONENT  
MAINTENANCE MANUAL

| FIG. & ITEM  | PART NO.   | AIRLINE PART NUMBER | NOMENCLATURE<br>1234567              | EFF CODE   | QTY PER ASSY |
|--------------|------------|---------------------|--------------------------------------|--|--------------|
| 18-<br>-102A | BACR15BB3B |                     | ..RIVET-<br>(SIZE DETERMINE ON INST) | CB,CD<br>,CF,C<br>G,DB,<br>DD,DF<br>,DG<br>DJ,DK<br>,DM,D<br>N,DW,<br>DX,EF<br>,EG | 2            |
| -102B        | BACR15BB3B |                     | ..RIVET-<br>(SIZE DETERMINE ON INST) | CH-CZ<br>,DP-D<br>R,D<br>Z-EE  | 2            |
| 105          | 69B97503-1 |                     | ..TAG-IDENT<br>(OPT ITEM 105C)       | CA,CC<br>,CE,<br>DA,DC<br>,DE,D<br>H,DL<br>DY,EH                                   | 1            |
| -105A        | 69B97503-1 |                     | ..TAG-IDENT<br>(OPT ITEM 105D)       | CB,CD<br>,CF,C<br>G,DB,<br>DD,DF<br>,DG<br>DJ,DK<br>,DM,D<br>N,DW,<br>DX,EF<br>,EG | 1            |

71-11-56

ILLUSTRATED PARTS LIST  
01.1 Page 10960  
Nov 01/04

| FIG. & ITEM  | PART NO.    | AIRLINE PART NUMBER | NOMENCLATURE<br>1234567        | EFF CODE   | QTY PER ASSY |
|--------------|-------------|---------------------|--------------------------------|--|--------------|
| 18-<br>-105B | 69B97503-1  |                     | ..TAG-IDENT<br>(OPT ITEM 105E) | CH-CZ<br>,DP-D<br>R,D<br>Z-EE  | 1            |
| -105C        | 315T4210-11 |                     | ..TAG-IDENT<br>(OPT ITEM 105)  | CA,CC<br>,CE,<br>DA,DC<br>,DE,D<br>H,DL<br>DY,EH                                   | 1            |
| -105D        | 315T4210-11 |                     | ..TAG-IDENT<br>(OPT ITEM 105A) | CB,CD<br>,CF,C<br>G,DB,<br>DD,DF<br>,DG<br>DJ,DK<br>,DM,D<br>N,DW,<br>DX,EF<br>,EG | 1            |
| -105E        | 315T4210-11 |                     | ..TAG-IDENT<br>(OPT ITEM 105B) | CH-CZ<br>,DP-D<br>R,D<br>Z-EE  | 1            |
| 108          | 315T4210-7  |                     | ..CASCADE                      | CA,CC<br>,CE,<br>DA,DC<br>,DE,D<br>H,DL<br>DY,EH                                   | 1            |

# 71-11-56

 ILLUSTRATED PARTS LIST  
 01.1 Page 1096P  
 Nov 01/04

 **BOEING**  
COMPONENT  
MAINTENANCE MANUAL

| FIG. & ITEM  | PART NO.   | AIRLINE PART NUMBER | NOMENCLATURE<br>1234567          | EFF CODE   | QTY PER ASSY |
|--------------|------------|---------------------|----------------------------------|--|--------------|
| 18-<br>-108A | 315T4210-7 |                     | ..CASCADE                        | CB,CD<br>,CF,C<br>G,DB,<br>DD,DF<br>,DG<br>DJ,DK<br>,DM,D<br>N,DW,<br>DX,EF<br>,EG | 1            |
| -108B        | 315T4210-7 |                     | ..CASCADE                        | CH-CZ<br>,DP-D<br>R,D<br>Z-EE  | 1            |
| 111          | 315T4212-3 |                     | .CASCADE ASSY-39.2 DEG<br>SKEWED | CA-CG<br>,DL-D<br>N,D<br>W-DY  | 2            |
| 114          | 315T4212-4 |                     | .CASCADE ASSY-39.2 DEG<br>SKEWED | CB,CD<br>,CF,C<br>G,D<br>L-DN,<br>DW,DX  | 1            |
| 117          | 315T4212-4 |                     | .CASCADE ASSY-39.2 DEG<br>SKEWED | DA-DK<br>,EF-E<br>H  | 2            |
| 120          | 315T4212-3 |                     | .CASCADE ASSY-39.2 DEG<br>SKEWED | DB,DD<br>,DF,D<br>G,DJ,<br>DK,EF<br>,EG  | 1            |

71-11-56

ILLUSTRATED PARTS LIST  
01.1 Page 1096Q  
Nov 01/04



| FIG. & ITEM | PART NO.   | AIRLINE PART NUMBER | NOMENCLATURE<br>1234567  | EFF CODE   | QTY PER ASSY |
|-------------|------------|---------------------|--|--|--------------|
| 18-123      | 315T4212-3 |                     | .CASCADE ASSY-39.2 DEG SKEWED  | CT-CZ<br>,DP-D<br>R,E<br>C-EE  | 1            |
| 126         | 315T4212-4 |                     | .CASCADE ASSY-39.2 DEG SKEWED  | CH-CS<br>,DZ-<br>EB  | 1            |
| 129         | BACR15CE3B |                     | ..RIVET-<br>(SIZE DETERMINE ON INST)   | CA,CC<br>,CE,<br>DA,DC<br>,DE,D<br>H,DY<br>EH                            | 8            |
| -129A       | BACR15CE3B |                     | ..RIVET-<br>(SIZE DETERMINE ON INST)   | CB,CD<br>,CF,C<br>G,DB,<br>DD,DF<br>,DG<br>DJ-DN<br>,DW,D<br>X,EF,<br>EG | 8            |
| -129B       | BACR15CE3B |                     | ..RIVET-<br>(SIZE DETERMINE ON INST)   | CH-CZ<br>,DP-D<br>R,D<br>Z-EE  | 8            |
| 132         | BRF100C4D  |                     | ..NUTPLATE-<br>(V52828)<br>(SPEC BACN10KB4CFD)<br>(OPT NS202478-048<br>(V80539))<br>(OPT 102F9207P4<br>(V72962))<br>(OPT F51604-4<br>(V15653)) | CA,CC<br>,CE,<br>DA,DC<br>,DE,D<br>H,DY<br>EH                            | 2            |

# 71-11-56

 ILLUSTRATED PARTS LIST  
 01.1 Page 1096R  
 Nov 01/04

 **BOEING**  
COMPONENT  
MAINTENANCE MANUAL

| FIG. & ITEM  | PART NO.    | AIRLINE PART NUMBER | NOMENCLATURE<br>1234567  | EFF CODE   | QTY PER ASSY |
|--------------|-------------|---------------------|--|--|--------------|
| 18-<br>-132A | BRF100C4D   |                     | ..NUTPLATE-<br>(V52828)<br>(SPEC BACN10KB4CFD)<br>(OPT NS202478-048<br>(V80539))<br>(OPT 102F9207P4<br>(V72962))<br>(OPT F51604-4<br>(V15653)) | CB,CD<br>,CF,C<br>G,DB,<br>DD,DF<br>,DG<br>DJ-DN<br>,DW,D<br>X,EF,<br>EG | 2            |
| -132B        | BRF100C4D   |                     | ..NUTPLATE-<br>(V52828)<br>(SPEC BACN10KB4CFD)<br>(OPT NS202478-048<br>(V80539))<br>(OPT 102F9207P4<br>(V72962))<br>(OPT F51604-4<br>(V15653)) | CH-CZ<br>,DP-D<br>R,D<br>Z-EE  | 2            |
| 135          | 315T4210-10 |                     | ..SPACER-RADIUS FILLER   | CA,CC<br>,CE,<br>DA,DC<br>,DE,D<br>H,DY<br>EH                            | 2            |
| -135A        | 315T4210-10 |                     | ..SPACER-RADIUS FILLER   | CB,CD<br>,CF,C<br>G,DB,<br>DD,DF<br>,DG<br>DJ-DN<br>,DW,D<br>X,EF,<br>EG | 2            |

71-11-56

ILLUSTRATED PARTS LIST  
01.1 Page 1096S  
Nov 01/04

| FIG. & ITEM  | PART NO.    | AIRLINE PART NUMBER | NOMENCLATURE<br>1234567  | EFF CODE   | QTY PER ASSY |
|--------------|-------------|---------------------|--|--|--------------|
| 18-<br>-135B | 315T4210-10 |                     | ..SPACER-RADIUS FILLER   | CH-CZ<br>,DP-D<br>R,D<br>Z-EE  | 2            |
| 138          | BRF200C4D   |                     | ..NUTPLATE-<br>(V52828)<br>(SPEC BACN10JR4CFD)<br>(OPT K51602-4BAC<br>(V15653))<br>(OPT NS202476-048<br>(V80539))<br>(OPT 102F9201-4<br>(V72962))<br>(OPT T8092C428CD<br>(V11815)) | CA,CC<br>,CE,<br>DA,DC<br>,DE,D<br>H,DY<br>EH                            | 2            |
| -138A        | BRF200C4D   |                     | ..NUTPLATE-<br>(V52828)<br>(SPEC BACN10JR4CFD)<br>(OPT K51602-4BAC<br>(V15653))<br>(OPT NS202476-048<br>(V80539))<br>(OPT 102F9201-4<br>(V72962))<br>(OPT T8092C428CD<br>(V11815)) | CB,CD<br>,CF,C<br>G,DB,<br>DD,DF<br>,DG<br>DJ-DN<br>,DW,D<br>X,EF,<br>EG | 2            |
| -138B        | BRF200C4D   |                     | ..NUTPLATE-<br>(V52828)<br>(SPEC BACN10JR4CFD)<br>(OPT K51602-4BAC<br>(V15653))<br>(OPT NS202476-048<br>(V80539))<br>(OPT 102F9201-4<br>(V72962))<br>(OPT T8092C428CD<br>(V11815)) | CH-CZ<br>,DP-D<br>R,D<br>Z-EE  | 2            |

# 71-11-56

 ILLUSTRATED PARTS LIST  
 01.1 Page 1096T  
 Nov 01/04

 **BOEING**  
COMPONENT  
MAINTENANCE MANUAL

| FIG. & ITEM | PART NO.   | AIRLINE PART NUMBER | NOMENCLATURE<br>1234567              | EFF CODE   | QTY PER ASSY |
|-------------|------------|---------------------|--------------------------------------|--|--------------|
| 18-141      | 315T4210-9 |                     | ..SPACER-RADIUS FILLER               | CA,CC<br>,CE,<br>DA,DC<br>,DE,D<br>H,DY<br>EH                            | 2            |
| -141A       | 315T4210-9 |                     | ..SPACER-RADIUS FILLER               | CB,CD<br>,CF,C<br>G,DB,<br>DD,DF<br>,DG<br>DJ-DN<br>,DW,D<br>X,EF,<br>EG | 2            |
| -141B       | 315T4210-9 |                     | ..SPACER-RADIUS FILLER               | CH-CZ<br>,DP-D<br>R,D<br>Z-EE  | 2            |
| 144         | BACR15BB3B |                     | ..RIVET-<br>(SIZE DETERMINE ON INST) | CA,CC<br>,CE,<br>DA,DC<br>,DE,D<br>H,DY<br>EH                            | 2            |
| -144A       | BACR15BB3B |                     | ..RIVET-<br>(SIZE DETERMINE ON INST) | CB,CD<br>,CF,C<br>G,DB,<br>DD,DF<br>,DG<br>DJ-DN<br>,DW,D<br>X,EF,<br>EG | 2            |
| -144B       | BACR15BB3B |                     | ..RIVET-<br>(SIZE DETERMINE ON INST) | CH-CZ<br>,DP-D<br>R,D<br>Z-EE  | 2            |

**71-11-56**

ILLUSTRATED PARTS LIST  
01.1 Page 1096U  
Nov 01/04

| FIG. & ITEM | PART NO.    | AIRLINE PART NUMBER | NOMENCLATURE<br>1234567        | EFF CODE   | QTY PER ASSY |
|-------------|-------------|---------------------|--------------------------------|--|--------------|
| 18-147      | 69B97503-1  |                     | ..TAG-IDENT<br>(OPT ITEM 147C) | CA,CC<br>,CE,<br>DA,DC<br>,DE,D<br>H,DY<br>EH                            | 1            |
| -147A       | 69B97503-1  |                     | ..TAG-IDENT<br>(OPT ITEM 147D) | CB,CD<br>,CF,C<br>G,DB,<br>DD,DF<br>,DG<br>DJ-DN<br>,DW,D<br>X,EF,<br>EG | 1            |
| -147B       | 69B97503-1  |                     | ..TAG-IDENT<br>(OPT ITEM 147E) | CH-CZ<br>,DP-D<br>R,D<br>Z-EE  | 1            |
| -147C       | 315T4210-11 |                     | ..TAG-IDENT<br>(OPT ITEM 147)  | CA,CC<br>,CE,<br>DA,DC<br>,DE,D<br>H,DY<br>EH                            | 1            |
| -147D       | 315T4210-11 |                     | ..TAG-IDENT<br>(OPT ITEM 147A) | CB,CD<br>,CF,C<br>G,DB,<br>DD,DF<br>,DG<br>DJ-DN<br>,DW,D<br>X,EF,<br>EG | 1            |
| -147E       | 315T4210-11 |                     | ..TAG-IDENT<br>(OPT ITEM 147B) | CH-CZ<br>,DP-D<br>R,D<br>Z-EE  | 1            |

# 71-11-56

 ILLUSTRATED PARTS LIST  
 01.1 Page 1096V  
 Nov 01/04

 **BOEING**  
COMPONENT  
MAINTENANCE MANUAL

| FIG. & ITEM | PART NO.   | AIRLINE PART NUMBER | NOMENCLATURE<br>1234567                | EFF CODE   | QTY PER ASSY |
|-------------|------------|---------------------|--|--|--------------|
| 18-150      | 315T4212-7 |                     | ..CASCADE-<br>(USED ON ITEM 111)       | CA-CG<br>,DL-D<br>N,D<br>W-DY                                  | 1            |
| -150A       | 315T4212-7 |                     | ..CASCADE-<br>(USED ON ITEMS 120, 123) | CT-CZ<br>,DB,D<br>D,DF,<br>DG,DJ<br>,DK<br>DP-DR<br>,EC-E<br>G | 1            |
| -150B       | 315T4212-8 |                     | ..CASCADE-<br>(USED ON ITEM 117)       | DA-DK<br>,EF-E<br>H  | 1            |
| -150C       | 315T4212-8 |                     | ..CASCADE-<br>(USED ON ITEMS 114, 126) | CB,CD<br>,CF-C<br>S,D<br>L-DN,<br>DW,DX<br>DZ-EB               | 1            |
| 153         | 315T4212-1 |                     | .CASCADE ASSY-39.2 DEG<br>SKEWED       | CA-CG<br>,DL-D<br>N,D<br>W-DY                                  | 1            |
| 156         | 315T4212-2 |                     | .CASCADE ASSY-39.2 DEG<br>SKEWED       | DA-DK<br>,EF-E<br>H  | 1            |
| 159         | BACR15CE3B |                     | ..RIVET-<br>(SIZE DETERMINE ON INST)   | CA-CG<br>,DA-D<br>N,D<br>W-DY,<br>EF-EH                        | 8            |

71-11-56

ILLUSTRATED PARTS LIST  
01.1 Page 1096W  
Nov 01/04

| FIG. & ITEM | PART NO.    | AIRLINE PART NUMBER | NOMENCLATURE<br>1234567  | EFF CODE                                | QTY PER ASSY |
|-------------|-------------|---------------------|--|---|--------------|
| 18-162      | BRF100C4D   |                     | ..NUTPLATE-<br>(V52828)<br>(SPEC BACN10KB4CFD)<br>(OPT NS202478-048<br>(V80539))<br>(OPT 102F9207P4<br>(V72962))<br>(OPT F51604-4<br>(V15653))                                     | CA-CG<br>,DA-D<br>N,D<br>W-DY,<br>EF-EH | 2            |
| 165         | 315T4210-10 |                     | ..SPACER-RADIUS FILLER   | CA-CG<br>,DA-D<br>N,D<br>W-DY,<br>EF-EH | 2            |
| 168         | BRF200C4D   |                     | ..NUTPLATE-<br>(V52828)<br>(SPEC BACN10JR4CFD)<br>(OPT K51602-4BAC<br>(V15653))<br>(OPT NS202476-048<br>(V80539))<br>(OPT 102F9201-4<br>(V72962))<br>(OPT T8092C428CD<br>(V11815)) | CA-CG<br>,DA-D<br>N,D<br>W-DY,<br>EF-EH | 2            |
| 171         | 315T4210-9  |                     | ..SPACER-RADIUS FILLER   | CA-CG<br>,DA-D<br>N,D<br>W-DY,<br>EF-EH | 2            |
| 174         | BACR15BB3B  |                     | ..RIVET-<br>(SIZE DETERMINE ON INST)   | CA-CG<br>,DA-D<br>N,D<br>W-DY,<br>EF-EH | 2            |
| 177         | 69B97503-1  |                     | ..TAG-IDENT<br>(OPT ITEM 177A)   | CA-CG<br>,DA-D<br>N,D<br>W-DY,<br>EF-EH | 1            |
| -177A       | 315T4210-11 |                     | ..TAG-IDENT<br>(OPT ITEM 177)  | CA-CG<br>,DA-D<br>N,D<br>W-DY,<br>EF-EH | 1            |

# 71-11-56

 ILLUSTRATED PARTS LIST  
 01.1 Page 1096X  
 Nov 01/04



**BOEING**  
COMPONENT  
MAINTENANCE MANUAL

| FIG. & ITEM | PART NO.    | AIRLINE PART NUMBER | NOMENCLATURE<br>1234567  | EFF CODE                      | QTY PER ASSY |
|-------------|-------------|---------------------|--|-------------------------------|--------------|
| 18-180      | 315T4212-5  |                     | ..CASCADE  | CA-CG<br>,DL-D<br>N,D<br>W-DY | 1            |
| -183        | 315T4212-6  |                     | ..CASCADE  | DA-DK<br>,EF-E<br>H           | 1            |
| 186         | 315T4259-9  |                     | .CASCADE ASSY-58.25 DEG<br>(OPT ITEM 186A)   | CH-CS<br>,DZ-<br>EB           | 2            |
| -186A       | 315T4259-7  |                     | .CASCADE ASSY-58.25 DEG<br>(OPT ITEM 186)  | CH-CS<br>,DZ-<br>EB           | 2            |
| 189         | 315T4259-10 |                     | .CASCADE ASSY-58.25 DEG<br>(OPT ITEM 189A)   | CT-CZ<br>,DP-D<br>R,E<br>C-EE | 2            |
| -189A       | 315T4259-8  |                     | .CASCADE ASSY-58.25 DEG<br>(OPT ITEM 189)  | CT-CZ<br>,DP-D<br>R,D<br>Z-EE | 2            |
| 192         | BACR15CE3B  |                     | ..RIVET-<br>(SIZE DETERMINE ON INST)   | CH-CZ<br>,DP-D<br>R,D<br>Z-EE | 8            |
| 195         | BRF100C4D   |                     | ..NUTPLATE-<br>(V52828)<br>(SPEC BACN10KB4CFD)<br>(OPT NS202478-048<br>(V80539))<br>(OPT 102F9207P4<br>(V72962))<br>(OPT F51604-4<br>(V15653)) | CH-CZ<br>,DP-D<br>R,D<br>Z-EE | 2            |
| 198         | 315T4210-10 |                     | ..SPACER-RADIUS FILLER   | CH-CZ<br>,DP-D<br>R,D<br>Z-EE | 2            |

71-11-56

ILLUSTRATED PARTS LIST  
01.1 Page 1096Y  
Nov 01/04



| FIG. & ITEM | PART NO.    | AIRLINE PART NUMBER | NOMENCLATURE<br>1234567  | EFF CODE                      | QTY PER ASSY |
|-------------|-------------|---------------------|--|-------------------------------|--------------|
| 18-201      | BRF200C4D   |                     | ..NUTPLATE-<br>(V52828)<br>(SPEC BACN10JR4CFD)<br>(OPT K51602-4BAC<br>(V15653))<br>(OPT NS202476-048<br>(V80539))<br>(OPT 102F9201-4<br>(V72962))<br>(OPT T8092C428CD<br>(V11815)) | CH-CZ<br>,DP-D<br>R,D<br>Z-EE | 2            |
| 204         | 315T4210-9  |                     | ..SPACER-RADIUS FILLER   | CH-CZ<br>,DP-D<br>R,D<br>Z-EE | 2            |
| 207         | BACR15BB3B  |                     | ..RIVET-<br>(SIZE DETERMINE ON INST)   | CH-CZ<br>,DP-D<br>R,D<br>Z-EE | 2            |
| 210         | 69B97503-1  |                     | ..TAG-IDENT  | CH-CZ<br>,DP-D<br>R,D<br>Z-EE | 1            |
| 213         | 315T4259-11 |                     | ..CASCADE-<br>(USED ON ITEM 186)   | CH-CS<br>,DZ-<br>EB           | 1            |
| -213A       | 315T4259-3  |                     | ..CASCADE-<br>(USED ON ITEM 186A)  | CH-CS<br>,DZ-<br>EB           | 1            |
| 216         | 315T4259-12 |                     | ..CASCADE-<br>(USED ON ITEM 189)   | CT-CZ<br>,DP-D<br>R,E<br>C-EE | 1            |

# 71-11-56

 ILLUSTRATED PARTS LIST  
 01.1 Page 1096Z  
 Nov 01/04



**BOEING**  
COMPONENT  
MAINTENANCE MANUAL

| FIG. & ITEM  | PART NO.   | AIRLINE PART NUMBER | NOMENCLATURE<br>1234567  | EFF CODE                      | QTY PER ASSY |
|--------------|------------|---------------------|--|-------------------------------|--------------|
| 18-<br>-216A | 315T4259-4 |                     | ..CASCADE-<br>(USED ON ITEM 189A)  | CT-CZ<br>,DP-D<br>R,E<br>C-EE | 1            |
| 219          | 315T4214-3 |                     | .CASCADE ASSY-SPOILED 44<br>DEG CURVED STRONGBACK  | CH-CS<br>,DZ-<br>EB           | 1            |
| 222          | 315T4214-4 |                     | .CASCADE ASSY-SPOILED 44<br>DEG CURVED STRONGBACK  | CT-CZ<br>,DP-D<br>R,E<br>C-EE | 1            |
| 225          | 315T4214-2 |                     | .CASCADE ASSY-SPOILED 44<br>DEG CURVED STRONGBACK  | CH-CS<br>,DZ-<br>EB           | 1            |
| 228          | 315T4214-1 |                     | .CASCADE ASSY-SPOILED 44<br>DEG CURVED STRONGBACK  | CT-CZ<br>,DP-D<br>R,E<br>C-EE | 1            |
| 231          | BACR15CE3B |                     | ..RIVET-<br>(SIZE DETERMINE ON INST)   | CH-CZ<br>,DP-D<br>R,D<br>Z-EE | 8            |
| 234          | BRF100C4D  |                     | ..NUTPLATE-<br>(V52828)<br>(SPEC BACN10KB4CFD)<br>(OPT NS202478-048<br>(V80539))<br>(OPT 102F9207P4<br>(V72962))<br>(OPT F51604-4<br>(V15653)) | CH-CZ<br>,DP-D<br>R,D<br>Z-EE | 2            |

71-11-56

ILLUSTRATED PARTS LIST  
01.1 Page 1097  
Nov 01/04

| FIG. & ITEM | PART NO.    | AIRLINE PART NUMBER | NOMENCLATURE<br>1234567  | EFF CODE                      | QTY PER ASSY |
|-------------|-------------|---------------------|--|-------------------------------|--------------|
| 18-237      | 315T4210-10 |                     | ..SPACER-RADIUS FILLER   | CH-CZ<br>,DP-D<br>R,D<br>Z-EE | 2            |
| 240         | BRF200C4D   |                     | ..NUTPLATE-<br>(V52828)<br>(SPEC BACN10JR4CFD)<br>(OPT K51602-4BAC<br>(V15653))<br>(OPT NS202476-048<br>(V80539))<br>(OPT 102F9201-4<br>(V72962))<br>(OPT T8092C428CD<br>(V11815)) | CH-CZ<br>,DP-D<br>R,D<br>Z-EE | 2            |
| 243         | 315T4210-9  |                     | ..SPACER-RADIUS FILLER   | CH-CZ<br>,DP-D<br>R,D<br>Z-EE | 2            |
| 246         | BACR15BB3B  |                     | ..RIVET-<br>(SIZE DETERMINE ON INST)   | CH-CZ<br>,DP-D<br>R,D<br>Z-EE | 2            |
| 249         | 69B97503-1  |                     | ..TAG-IDENT  | CH-CZ<br>,DP-D<br>R,D<br>Z-EE | 1            |
| 252         | 315T4214-7  |                     | ..CASCADE-<br>(USED ON ITEM 219)   | CH-CS<br>,DZ-<br>EB           | 1            |
| 255         | 315T4214-8  |                     | ..CASCADE-<br>(USED ON ITEM 222)   | CT-CZ<br>,DP-D<br>R,E<br>C-EE | 1            |

# 71-11-56

 ILLUSTRATED PARTS LIST  
 01.1 Page 1098  
 Nov 01/04



**BOEING**  
COMPONENT  
MAINTENANCE MANUAL

| FIG. & ITEM | PART NO.    | AIRLINE PART NUMBER | NOMENCLATURE<br>1234567  | EFF CODE                      | QTY PER ASSY |
|-------------|-------------|---------------------|--|-------------------------------|--------------|
| 18-258      | 315T4214-6  |                     | ..CASCADE-<br>(USED ON ITEM 225)   | CH-CS<br>,DZ-<br>EB           | 1            |
| 261         | 315T4214-5  |                     | ..CASCADE-<br>(USED ON ITEM 228)   | CT-CZ<br>,DP-D<br>R,E<br>C-EE | 1            |
| 264         | 315T4262-1  |                     | .CASCADE ASSY-RADIAL<br>SPOILED FLOW   | CH-CS<br>,DZ-<br>EB           | 2            |
| 267         | 315T4262-1  |                     | .CASCADE ASSY-RADIAL<br>SPOILED FLOW   | CT-CZ<br>,DP-D<br>R,E<br>C-EE | 2            |
| 270         | BACR15CE3B  |                     | ..RIVET-<br>(SIZE DETERMINE ON INST)   | CH-CZ<br>,DP-D<br>R,D<br>Z-EE | 8            |
| 273         | BRF100C4D   |                     | ..NUTPLATE-<br>(V52828)<br>(SPEC BACN10KB4CFD)<br>(OPT NS202478-048<br>(V80539))<br>(OPT 102F9207P4<br>(V72962))<br>(OPT F51604-4<br>(V15653))                                     | CH-CZ<br>,DP-D<br>R,D<br>Z-EE | 2            |
| 276         | 315T4210-10 |                     | ..SPACER-RADIUS FILLER   | CH-CZ<br>,DP-D<br>R,D<br>Z-EE | 2            |
| 279         | BRF200C4D   |                     | ..NUTPLATE-<br>(V52828)<br>(SPEC BACN10JR4CFD)<br>(OPT K51602-4BAC<br>(V15653))<br>(OPT NS202476-048<br>(V80539))<br>(OPT 102F9201-4<br>(V72962))<br>(OPT T8092C428CD<br>(V11815)) | CH-CZ<br>,DP-D<br>R,D<br>Z-EE | 2            |

71-11-56

ILLUSTRATED PARTS LIST  
01.1 Page 1098A  
Nov 01/04

| FIG. & ITEM | PART NO.     | AIRLINE PART NUMBER | NOMENCLATURE<br>1234567   | EFF CODE                      | QTY PER ASSY |
|-------------|--------------|---------------------|---|-------------------------------|--------------|
| 18-282      | 315T4210-9   |                     | ..SPACER-RADIUS FILLER  | CH-CZ<br>,DP-D<br>R,D<br>Z-EE | 2            |
| 285         | BACR15BB3B   |                     | ..RIVET-<br>(SIZE DETERMINE ON INST)                                    | CH-CZ<br>,DP-D<br>R,D<br>Z-EE | 2            |
| 288         | 69B97503-1   |                     | ..TAG-IDENT   | CH-CZ<br>,DP-D<br>R,D<br>Z-EE | 1            |
| 291         | 315T4262-2   |                     | ..CASCADE   | CH-CZ<br>,DP-D<br>R,D<br>Z-EE | 1            |
| -294        | 315T3307-77  |                     | .FAIRING INSTL-UPR<br>BIFURCATION TRACK<br>(FOR DETAILS SEE<br>FIG. 19) | CA,CC<br>,CT,C<br>V           | 1            |
| -297        | 315T3307-78  |                     | .FAIRING INSTL-UPR<br>BIFURCATION TRACK<br>(FOR DETAILS SEE<br>FIG. 19) | CH,CK<br>,DA,<br>DC           | 1            |
| -300        | 315U4305-119 |                     | .FAIRING INSTL-UPR<br>BIFURCATION<br>(FOR DETAILS SEE FIG. 9)           | CB,CU                         | 1            |
| -303        | 315U4305-120 |                     | .FAIRING INSTL-UPR<br>BIFURCATION<br>(FOR DETAILS SEE FIG. 9)           | CJ,DB                         | 1            |

# 71-11-56

 ILLUSTRATED PARTS LIST  
 01.1 Page 1098B  
 Nov 01/04

 **BOEING**  
COMPONENT  
MAINTENANCE MANUAL

| FIG. & ITEM | PART NO.     | AIRLINE PART NUMBER | NOMENCLATURE<br>1234567   | EFF CODE            | QTY PER ASSY |
|-------------|--------------|---------------------|---|---------------------|--------------|
| 18-<br>-306 | 315T3305-203 |                     | .FAIRING INSTL-SKIN UPR TRACK<br>(FOR DETAILS SEE FIG. 17)  | CA,CC<br>,CT,C<br>V | 1            |
| -309        | 315T3305-204 |                     | .FAIRING INSTL-SKIN UPR TRACK<br>(FOR DETAILS SEE FIG. 17)  | CH,CK<br>,DA,<br>DC | 1            |
| -312        | 315T4102-1   |                     | .DUCT INSTL-INNER WALL<br>(FOR DETAILS SEE FIG. 12)   | CH-CK<br>,DA-<br>DC | 1            |
| 315         | NAS1398CW5-3 |                     | .RIVET  | CA-DR<br>,DW-E<br>H | 1            |
| 318         | BACB30MY5K17 |                     | .BOLT   | CA-DR<br>,DW-E<br>H | 15           |
| 321         | BACB30MY5K21 |                     | .BOLT   | CA-DR<br>,DW-E<br>H | 1            |
| 324         | BACB30MY5K17 |                     | .BOLT-<br>(OPT ITEM 324A)   | CA-DR<br>,DW-E<br>H | 2            |
| -324A       | HST10AG5-17  |                     | .BOLT-<br>(VOPTK6)<br>(SPEC BACB30VT5K17)<br>(OPT HST10AG5-17 (V06725))<br>(OPT HST10AG5-17 (V56878))<br>(OPT HST10AG5-17 (V73197))<br>(OPT ITEM 324) | CA-DR<br>,DW-E<br>H | 2            |

71-11-56

ILLUSTRATED PARTS LIST  
01.1 Page 1098C  
Nov 01/04

| FIG. & ITEM | PART NO.     | AIRLINE PART NUMBER | NOMENCLATURE<br>1234567  | EFF CODE            | QTY PER ASSY |
|-------------|--------------|---------------------|--|---------------------|--------------|
| 18-327      | BACB30MY5K16 |                     | .BOLT-<br>(OPT ITEM 327A)  | CA-DR<br>,DW-E<br>H | 1            |
| -327A       | HST10AG5-17  |                     | .BOLT-<br>(VOPTK6)<br>(SPEC BACB30VT5K17)<br>(OPT HST10AG5-17<br>(V06725))<br>(OPT HST10AG5-17<br>(V56878))<br>(OPT HST10AG5-17<br>(V73197))<br>(OPT ITEM 327) | CA-DR<br>,DW-E<br>H | 1            |
| 330         | BACB30MY5K15 |                     | .BOLT-<br>(OPT ITEM 330A)  | CA-DR<br>,DW-E<br>H | 2            |
| -330A       | HST10AG5-15  |                     | .BOLT-<br>(V73197)<br>(SPEC BACB30VT5K15)<br>(OPT HST10AG5-15<br>(V56878))<br>(OPT HST10AG5-15<br>(V06725))<br>(OPT HST10AG5-15<br>(VOPTK6))<br>(OPT ITEM 330) | CA-DR<br>,DW-E<br>H | 2            |
| 333         | BACB30MY5K14 |                     | .BOLT-<br>(OPT ITEM 333A)  | CA-DR<br>,DW-E<br>H | 2            |
| -333A       | HST10AG5-14  |                     | .BOLT-<br>(VOPTK6)<br>(SPEC BACB30VT5K14)<br>(OPT HST10AG5-14<br>(V06725))<br>(OPT HST10AG5-14<br>(V56878))<br>(OPT HST10AG5-14<br>(V73197))<br>(OPT ITEM 333) | CA-DR<br>,DW-E<br>H | 2            |

# 71-11-56

 ILLUSTRATED PARTS LIST  
 01.1 Page 1098D  
 Nov 01/04

 **BOEING**  
COMPONENT  
MAINTENANCE MANUAL

| FIG. & ITEM | PART NO.     | AIRLINE PART NUMBER | NOMENCLATURE<br>1234567  | EFF CODE            | QTY PER ASSY |
|-------------|--------------|---------------------|--|---------------------|--------------|
| 18-336      | BACB30MY5K13 |                     | .BOLT-<br>(OPT ITEM 336A)  | CA-DR<br>/DW-E<br>H | 2            |
| -336A       | HST10AG5-31  |                     | .BOLT-<br>(VOPTK6)<br>(SPEC BACB30VT5K13)<br>(OPT HST10AG5-13<br>(V06725))<br>(OPT HST10AG5-13<br>(V56878))<br>(OPT HST10AG5-13<br>(V73197))<br>(OPT ITEM 336) | CA-DR<br>/DW-E<br>H | 2            |
| 339         | BACB30MY5K12 |                     | .BOLT-<br>(OPT ITEM 339A)  | CA-DR<br>/DW-E<br>H | 2            |
| -339A       | HST10AG5-12  |                     | .BOLT-<br>(VOPTK6)<br>(SPEC BACB30VT5K12)<br>(OPT HST10AG5-12<br>(V06725))<br>(OPT HST10AG5-12<br>(V56878))<br>(OPT HST10AG5-12<br>(V73197))<br>(OPT ITEM 339) | CA-DR<br>/DW-E<br>H | 2            |
| 342         | BACB30MY5K11 |                     | .BOLT-<br>(OPT ITEM 342A)  | CA-DR<br>/DW-E<br>H | 2            |
| -342A       | HST10AG5-11  |                     | .BOLT-<br>(VOPTK6)<br>(SPEC BACB30VT5K11)<br>(OPT HST10AG5-11<br>(V06725))<br>(OPT HST10AG5-11<br>(V56878))<br>(OPT HST10AG5-11<br>(V73197))<br>(OPT ITEM 342) | CA-DR<br>/DW-E<br>H | 2            |

71-11-56



| FIG. & ITEM | PART NO.     | AIRLINE PART NUMBER | NOMENCLATURE<br>1234567   | EFF CODE            | QTY PER ASSY |
|-------------|--------------|---------------------|---|---------------------|--------------|
| 18-345      | BACB30MY5K10 |                     | .BOLT-<br>(OPT ITEM 345A)   | CA-DR<br>,DW-E<br>H | 1            |
| -345A       | HST10AG5-10  |                     | .BOLT-<br>(VOPTK6)<br>(SPEC BACB30VT5K10)<br>(OPT HST10AG5-10<br>(V06725))<br>(OPT HST10AG5-10<br>(V56878))<br>(OPT HST10AG5-10<br>(V73197))<br>(OPT ITEM 345)  | CA-DR<br>,DW-E<br>H | 1            |
| 348         | HL70-5       |                     | .COLLAR-<br>(V5M902)<br>(SPEC BACC30M5)<br>(OPT HL70-5<br>(V73197))<br>(OPT HL70-5<br>(V92215))<br>(OPT 66014-5<br>(V56878))<br>(OPT HL70-5<br>(V56878))  | CA-DR<br>,DW-E<br>H | 16           |
| 351         | HL82-5APBW   |                     | .COLLAR-<br>(V73197)<br>(SPEC BACC30AG5)<br>(OPT HL82-5APBW<br>(V56878))<br>(USED WITH ITEMS 324,<br>327, 330, 333, 336, 339,<br>342, 345)  | CA-DR<br>,DW-E<br>H | 14           |
| -351A       | HST79CY5     |                     | .COLLAR-<br>(V73197)<br>(SPEC BACC30BL5)<br>(OPT HST79-5<br>(V92215))<br>(OPT HST79CY5<br>(V56878))<br>(OPT HST79CY5<br>(V5M902))<br>(USED WITH ITEMS 324A,<br>327A, 330A, 333A, 336A,<br>339A, 342A, 345A) | CA-DR<br>,DW-E<br>H | 14           |

# 71-11-56

 ILLUSTRATED PARTS LIST  
 01.1 Page 1098F  
 Nov 01/04

 **BOEING**  
COMPONENT  
MAINTENANCE MANUAL

| FIG. & ITEM | PART NO.     | AIRLINE PART NUMBER | NOMENCLATURE<br>1234567  | EFF CODE   | QTY PER ASSY |
|-------------|--------------|---------------------|--|--|--------------|
| 18-354      | BACR15CE5D   |                     | .RIVET-<br>(SIZE DETERMINE ON INST)  | CA-DR<br>,DW-E<br>H                              | 1            |
| 357         | CSR924-5-7   |                     | .RIVET-<br>(V05693)  | CA-DR<br>,DW-E<br>H                              | 1            |
| 360         | BACB30MY5K3  |                     | .BOLT  | CA-DR<br>,DW-E<br>H                              | 1            |
| 363         | BACB30MY5K18 |                     | .BOLT  | CA-DR<br>,DW-E<br>H                              | 21           |
| 366         | BACB30MY5K22 |                     | .BOLT  | CA-DR<br>,DW-E<br>H                              | 2            |
| 369         | HL70-5       |                     | .COLLAR-<br>(V5M902)<br>(SPEC BACC30M5)<br>(OPT HL70-5<br>(V73197))<br>(OPT HL70-5<br>(V92215))<br>(OPT 66014-5<br>(V56878))<br>(OPT HL70-5<br>(V56878)) | CA-DR<br>,DW-E<br>H                              | 24           |
| 372         | BACB30MY5K18 |                     | .BOLT  | CA-CG<br>,CT-C<br>Z,D<br>L-DR,<br>DW-DY<br>EC-EE | 8            |

**71-11-56**

ILLUSTRATED PARTS LIST  
01.1 Page 1098G  
Nov 01/04

| FIG. & ITEM | PART NO.    | AIRLINE PART NUMBER | NOMENCLATURE<br>1234567  | EFF CODE   | QTY PER ASSY |
|-------------|-------------|---------------------|--|--|--------------|
| 18-375      | HL70-5      |                     | .COLLAR-<br>(V5M902)<br>(SPEC BACC30M5)<br>(OPT HL70-5<br>(V73197))<br>(OPT HL70-5<br>(V92215))<br>(OPT 66014-5<br>(V56878))<br>(OPT HL70-5<br>(V56878)) | CA-CG<br>,CT-C<br>Z,D<br>L-DR,<br>DW-DY<br>EC-EE | 8            |
| 378         | BACB30MY6K3 |                     | .BOLT  | CH-CS<br>,DA-D<br>K,D<br>Z-EB,<br>EF-EH          | 3            |
| 381         | BACB30MY6K4 |                     | .BOLT  | CH-CS<br>,DA-D<br>K,D<br>Z-EB,<br>EF-EH          | 2            |
| 384         | BACB30MY5K2 |                     | .BOLT  | CH-CS<br>,DA-D<br>K,D<br>Z-EB,<br>EF-EH          | 4            |
| 387         | HL79-6      |                     | .COLLAR-<br>(V5M902)<br>(SPEC BACC30M6)<br>(OPT HL79-6<br>(V73197))<br>(OPT HL79-6<br>(V92215))<br>(OPT 66014-6<br>(V56878))<br>(OPT HL79-6<br>(V56878)) | CH-CS<br>,DA-D<br>K,D<br>Z-EB,<br>EF-EH          | 5            |

# 71-11-56

 ILLUSTRATED PARTS LIST  
 01.1 Page 1098H  
 Nov 01/04

 **BOEING**  
COMPONENT  
MAINTENANCE MANUAL

| FIG. & ITEM | PART NO.     | AIRLINE PART NUMBER | NOMENCLATURE<br>1234567  | EFF CODE   | QTY PER ASSY |
|-------------|--------------|---------------------|--|--|--------------|
| 18-390      | HL70-5       |                     | .COLLAR-<br>(V5M902)<br>(SPEC BACC30M5)<br>(OPT HL70-5<br>(V73197))<br>(OPT HL70-5<br>(V92215))<br>(OPT 66014-5<br>(V56878))<br>(OPT HL70-5<br>(V56878)) | CH-CS<br>,DA-D<br>K,D<br>Z-EB,<br>EF-EH          | 4            |
| 393         | 315T3007-15  |                     | .FAIRING-FILLET  | CA-CG<br>,CT-C<br>Z,D<br>L-DR,<br>DW-DY<br>EC-EE | 1            |
| -396        | 315T3007-16  |                     | .FAIRING-FILLET  | CH-CS<br>,DA-D<br>K,D<br>Z-EB,<br>EF-EH          | 1            |
| 399         | NAS1398CW6-3 |                     | .RIVET   | CA-DR<br>,DW-E<br>H                              | 1            |
| 402         | BACB30MY6K20 |                     | .BOLT  | CA-CG<br>,CT-C<br>Z,D<br>L-DR,<br>DW-DY<br>EC-EF | 1            |

71-11-56

ILLUSTRATED PARTS LIST  
01.1 Page 1098I  
Nov 01/04

| FIG. & ITEM | PART NO.                      | AIRLINE PART NUMBER | NOMENCLATURE<br>1234567  | EFF CODE   | QTY PER ASSY |
|-------------|-------------------------------|---------------------|--|--|--------------|
| 18-405      | BACB30MY6K19                  |                     | .BOLT  | CH-CS<br>,DA-D<br>K,D<br>Z-EB,<br>EF-EH          | 1            |
| 408         | HL13VAZ6-19                   |                     | .BOLT-<br>(V56878)<br>(SPEC BACB30NY6K19)<br>(OPT HL13VAZ6-19<br>(V73197))<br>(OPT HL13VAZ6-19<br>(V92215))<br>(OPT HL13VAZ6-19<br>(V97928))<br>(OPT L801-6K19<br>(V06725))<br>(OPT HL13VAZ6-19<br>(V08524))<br>(OPT HL13V19<br>(V06725))<br>(OPT HL13VAZ6-19<br>(V17446)) | CA-CG<br>,CT-C<br>Z,D<br>L-DR,<br>DW-DY<br>EC-EE | 2            |
| -411        | BACB30MY6K18                  |                     | .BOLT  | CH-CS<br>,DA-D<br>K,D<br>Z-EB,<br>EF-EH          | 2            |
| 414         | HL79-6                        |                     | .COLLAR-<br>(V5M902)<br>(SPEC BACC30M6)<br>(OPT HL79-6<br>(V73197))<br>(OPT HL79-6<br>(V92215))<br>(OPT 66014-6<br>(V56878))<br>(OPT HL79-6<br>(V56878))   | CA-DR<br>,DW-E<br>H                              | 3            |
| 417<br>417A | 2ASPPFDT06-9<br>2ASPPFDT06-19 |                     | DELETED<br>.PIN-<br>(V17446)   | CA-DR<br>,DW-E<br>H                              | 1            |
| 420         | ASPFSDT06                     |                     | .SLEEVE-<br>(V17446)   | CA-DR<br>,DW-E<br>H                              | 1            |

# 71-11-56

 ILLUSTRATED PARTS LIST  
 01.1 Page 1098J  
 Nov 01/04

 **BOEING**  
COMPONENT  
MAINTENANCE MANUAL

| FIG. & ITEM | PART NO.     | AIRLINE PART NUMBER | NOMENCLATURE<br>1234567  | EFF CODE            | QTY PER ASSY |
|-------------|--------------|---------------------|--|---------------------|--------------|
| 18-423      | ASPLC2AC6    |                     | DELETED  |                     |              |
| 423A        | ASPLC2AC06   |                     | .COLLAR-<br>(V17446)   | CA-DR<br>/DW-E<br>H | 1            |
| 426         | HL1012AZ6-19 |                     | .BOLT-<br>(V97928)<br>(SPEC BACB30NX6K19)<br>(OPT HL12VAZ6-19<br>(V73197))<br>(OPT HL12VAZ6-19<br>(V92215))<br>(OPT HL12VAZ6-19<br>(V97928))<br>(OPT L802-6K19<br>(V06725))<br>(OPT HL12VAZ6-19<br>(V56878))<br>(OPT HL1012AZ6-19<br>(V0PTK6))<br>(OPT HL1012AZ6-19<br>(V06725))<br>(OPT HL1012AZ6-19<br>(V06950))<br>(OPT HL1012AZ6-19<br>(V17446))<br>(OPT HL1012AZ6-19<br>(V56878))<br>(OPT HL1012AZ6-19<br>(V60516))<br>(OPT HL1012AZ6-19<br>(V73197)) | CA-DR<br>/DW-E<br>H | 6            |

**71-11-56**

ILLUSTRATED PARTS LIST  
01.1 Page 1098K  
Nov 01/04

| FIG. & ITEM | PART NO.     | AIRLINE PART NUMBER | NOMENCLATURE<br>1234567  | EFF CODE           | QTY PER ASSY |
|-------------|--------------|---------------------|--|--------------------|--------------|
| 18-429      | HL1012AZ8-19 |                     | .BOLT-<br>(V97928)<br>(SPEC BACB30NX8K19)<br>(OPT HL12VAZ8-19 (V73197))<br>(OPT HL12VAZ8-19 (V92215))<br>(OPT HL12VAZ8-19 (V97928))<br>(OPT L802-8K19 (V06725))<br>(OPT HL12VAZ8-19 (V56878))<br>(OPT HL1012AZ8-19 (V73197))<br>(OPT HL1012AZ8-19 (V60516))<br>(OPT HL1012AZ8-19 (V56878))<br>(OPT HL1012AZ8-19 (V17446))<br>(OPT HL1012AZ8-19 (V06950))<br>(OPT HL1012AZ8-19 (V06725))<br>(OPT HL1012AZ8-19 (V0PTK6)) | CA-DR<br>DW-E<br>H | 7            |
| 432         | HL1187DUW6   |                     | .COLLAR-<br>(V5M902)<br>(SPEC BACC30X6SW)<br>(OPT HL87DUW6 (V92215))<br>(OPT HL87DUW6 (V73197))<br>(OPT HL1187DUW6 (V56878))<br>(OPT HL1187DUW6 (V92215))<br>(OPT HL87DUW6 (V56878))<br>(OPT HL1187DUW6 (V73197))  | CA-DR<br>DW-E<br>H | 6            |

# 71-11-56

 ILLUSTRATED PARTS LIST  
 01.1 Page 1098L  
 Nov 01/04

**BOEING**  
COMPONENT  
MAINTENANCE MANUAL

| FIG. & ITEM | PART NO.     | AIRLINE PART NUMBER | NOMENCLATURE<br>1234567  | EFF CODE            | QTY PER ASSY |
|-------------|--------------|---------------------|--|---------------------|--------------|
| 18-435      | HL1187DUW8   |                     | .COLLAR-<br>(V5M902)<br>(SPEC BACC30X8SW)<br>(OPT HL87DUW8<br>(V92215))<br>(OPT HL87DUW8<br>(V73197))<br>(OPT HL1187DUW8<br>(V56878))<br>(OPT HL1187DUW8<br>(V92215))<br>(OPT HL87DUW8<br>(V56878))<br>(OPT HL1187DUW8<br>(V73197))  | CA-DR<br>/DW-E<br>H | 7            |
| 438         | BACB30MY6K19 |                     | .BOLT  | CA-DR<br>/DW-E<br>H | 14           |
| 441         | HL13VAZ6-18  |                     | .BOLT-<br>(V56878)<br>(SPEC BACB30NY6K18)<br>(OPT HL13VAZ6-18<br>(V73197))<br>(OPT HL13VAZ6-18<br>(V92215))<br>(OPT HL13VAZ6-18<br>(V97928))<br>(OPT L801-6K18<br>(V06725))<br>(OPT HL13VAZ6-18<br>(V08524))<br>(OPT HL13V18<br>(V06725))<br>(OPT HL13VAZ6-18<br>(V17446)) | CA-DR<br>/DW-E<br>H | 2            |
| 444         | BACB30MY6K18 |                     | .BOLT  | CA-DR<br>/DW-E<br>H | 3            |

71-11-56

ILLUSTRATED PARTS LIST  
01.1 Page 1098M  
Nov 01/04



| FIG. & ITEM | PART NO.     | AIRLINE PART NUMBER | NOMENCLATURE<br>1234567  | EFF CODE            | QTY PER ASSY |
|-------------|--------------|---------------------|--|---------------------|--------------|
| 18-447      | HL79-6       |                     | .COLLAR-<br>(V5M902)<br>(SPEC BACC30M6)<br>(OPT HL79-6<br>(V73197))<br>(OPT HL79-6<br>(V92215))<br>(OPT 66014-6<br>(V56878))<br>(OPT HL79-6<br>(V56878))       | CA-DR<br>,DW-E<br>H | 19           |
| 450         | BACB30MY6K19 |                     | .BOLT-<br>(OPT ITEM 450A)  | CA-DR<br>,DW-E<br>H | 1            |
| -450A       | HST10AG6-19  |                     | .BOLT-<br>(VOPTK6)<br>(SPEC BACB30VT6K19)<br>(OPT HST10AG6-19<br>(V06725))<br>(OPT HST10AG6-19<br>(V56878))<br>(OPT HST10AG6-19<br>(V73197))<br>(OPT ITEM 450) | CA-DR<br>,DW-E<br>H | 1            |
| 453         | BACB30MY6K18 |                     | .BOLT-<br>(OPT ITEM 453A)  | CA-DR<br>,DW-E<br>H | 6            |
| -453A       | HST10AG6-18  |                     | .BOLT-<br>(VOPTK6)<br>(SPEC BACB30VT6K18)<br>(OPT HST10AG6-18<br>(V06725))<br>(OPT HST10AG6-18<br>(V56878))<br>(OPT HST10AG6-18<br>(V73197))<br>(OPT ITEM 453) | CA-DR<br>,DW-E<br>H | 6            |

# 71-11-56

 ILLUSTRATED PARTS LIST  
 01.1 Page 1098N  
 Nov 01/04



**BOEING**  
COMPONENT  
MAINTENANCE MANUAL

| FIG. & ITEM | PART NO.     | AIRLINE PART NUMBER | NOMENCLATURE<br>1234567  | EFF CODE   | QTY PER ASSY |
|-------------|--------------|---------------------|--|--|--------------|
| 18-456      | BACB30MY6K17 |                     | .BOLT-<br>(OPT ITEM 456A)  | CA-DR<br>,DW-E<br>H                              | 6            |
| -456A       | HST10AG6-17  |                     | .BOLT-<br>(VOPTK6)<br>(SPEC BACB30VT6K17)<br>(OPT HST10AG6-17<br>(V06725))<br>(OPT HST10AG6-17<br>(V56878))<br>(OPT HST10AG6-17<br>(V73197))<br>(OPT ITEM 456) | CA-DR<br>,DW-E<br>H                              | 6            |
| 459         | BACB30MY6K16 |                     | .BOLT-<br>(OPT ITEM 459A)  | CA-DR<br>,DW-E<br>H                              | 5            |
| -459A       | HST10AG6-16  |                     | .BOLT-<br>(VOPTK6)<br>(SPEC BACB30VT6K16)<br>(OPT HST10AG6-16<br>(V06725))<br>(OPT HST10AG6-16<br>(V56878))<br>(OPT HST10AG6-16<br>(V73197))<br>(OPT ITEM 459) | CA-DR<br>,DW-E<br>H                              | 5            |
| 460         | BACB30MY6K16 |                     | .BOLT-<br>(OPT ITEM 460A)  | CA-CG<br>,CT-C<br>Z,D<br>L-DR,<br>DW-DY          | 1            |
| -460A       | HST10AG6-16  |                     | .BOLT-<br>(VOPTK6)<br>(SPEC BACB30VT6K16)<br>(OPT HST10AG6-16<br>(V06725))<br>(OPT HST10AG6-16<br>(V56878))<br>(OPT HST10AG6-16<br>(V73197))<br>(OPT ITEM 460) | CA-CG<br>,CT-C<br>Z,D<br>L-DR,<br>DW-DY<br>EC-EE | 1            |

71-11-56

| FIG. & ITEM | PART NO.     | AIRLINE PART NUMBER | NOMENCLATURE<br>1234567  | EFF CODE                                | QTY PER ASSY |
|-------------|--------------|---------------------|--|---|--------------|
| 18-461      | BACB30MY6K14 |                     | .BOLT-<br>(OPT ITEM 461A)  | CH-CS<br>,DA-D<br>K,D<br>Z-EB,<br>EF-EH | 1            |
| -461A       | HST10AG6-14  |                     | .BOLT-<br>(VOPTK6)<br>(SPEC BACB30VT6K14)<br>(OPT HST10AG6-14<br>(V06725))<br>(OPT HST10AG6-14<br>(V56878))<br>(OPT HST10AG6-14<br>(V73197))<br>(OPT ITEM 461) | CH-CS<br>,DA-D<br>K,D<br>Z-EB,<br>EF-EH | 1            |
| 462         | L8006-15     |                     | .BOLT-<br>(V06725)<br>(SPEC BACB30MY6K15)<br>(OPT AL10V6-15<br>(V92215))<br>(OPT ITEM 462A)  | CA-DR<br>,DW-E<br>H                     | 7            |
| -462A       | HST10AG6-15  |                     | .BOLT-<br>(VOPTK6)<br>(SPEC BACB30VT6K15)<br>(OPT HST10AG6-15<br>(V06725))<br>(OPT HST10AG6-15<br>(V56878))<br>(OPT HST10AG6-15<br>(V73197))<br>(OPT ITEM 462) | CA-DR<br>,DW-E<br>H                     | 7            |

# 71-11-56

 ILLUSTRATED PARTS LIST  
 01.1 Page 1098P  
 Nov 01/04

 **BOEING**  
COMPONENT  
MAINTENANCE MANUAL

| FIG. & ITEM | PART NO.     | AIRLINE PART NUMBER | NOMENCLATURE<br>1234567   | EFF CODE            | QTY PER ASSY |
|-------------|--------------|---------------------|---|---------------------|--------------|
| 18-465      | BACB30MY6K14 |                     | .BOLT-<br>(OPT ITEM 465A)   | CA-DR<br>/DW-E<br>H | 2            |
| -465A       | HST10AG6-14  |                     | .BOLT-<br>(VOPTK6)<br>(SPEC BACB30VT6K14)<br>(OPT HST10AG6-14<br>(V06725))<br>(OPT HST10AG6-14<br>(V56878))<br>(OPT HST10AG6-14<br>(V73197))<br>(OPT ITEM 465)  | CA-DR<br>/DW-E<br>H | 2            |
| 468         | HL11VAZ6-13  |                     | .BOLT-<br>(V60516)<br>(SPEC BACB30NW6K13)<br>(OPT B30NW6K13<br>(V97928))<br>(OPT HL11VAZ6-13<br>(V73197))<br>(OPT HL11VAZ6-13<br>(V92215))<br>(OPT HL11VAZ6-13<br>(V97928))<br>(OPT L803-6K13<br>(V06725))<br>(OPT HL11VAZ6-13<br>(VOPTK6))<br>(OPT HL11VAZ6-13<br>(V56878))<br>(OPT ITEM 468A) | CA-DR<br>/DW-E<br>H | 2            |
| -468A       | HST11AG6-13  |                     | .BOLT-<br>(V06725)<br>(SPEC BACB30VU6K13)<br>(OPT HST11AG6-13<br>(V73197))<br>(OPT HST11AG6-13<br>(VOPTK6))<br>(OPT HST11AG6-13<br>(V56878))<br>(OPT ITEM 468)  | CA-DR<br>/DW-E<br>H | 2            |

71-11-56

ILLUSTRATED PARTS LIST  
01.1 Page 1098Q  
Nov 01/04

| FIG. & ITEM | PART NO.    | AIRLINE PART NUMBER | NOMENCLATURE<br>1234567  | EFF CODE            | QTY PER ASSY |
|-------------|-------------|---------------------|--|---------------------|--------------|
| 18-471      | HL11VAZ6-12 |                     | .BOLT-<br>(V60516)<br>(SPEC BACB30NW6K12)<br>(OPT B30NW6K12 (V97928))<br>(OPT HL11VAZ6-12 (V73197))<br>(OPT HL11VAZ6-12 (V92215))<br>(OPT HL11VAZ6-12 (V97928))<br>(OPT L803-6K12 (V06725))<br>(OPT HL11VAZ6-12 (V0PTK6))<br>(OPT HL11VAZ6-12 (V56878))<br>(OPT ITEM 471A) | CA-DR<br>,DW-E<br>H | 2            |
| -471A       | HST11AG6-12 |                     | .BOLT-<br>(V06725)<br>(SPEC BACB30VU6K12)<br>(OPT HST11AG6-12 (V73197))<br>(OPT HST11AG6-12 (V0PTK6))<br>(OPT HST11AG6-12 (V56878))<br>(OPT ITEM 471)  | CA-DR<br>,DW-E<br>H | 2            |
| 474         | HL82-6APBW  |                     | .COLLAR-<br>(V5M902)<br>(SPEC BACC30AG6)<br>(OPT HL82-6APBW (V92215))<br>(OPT HL82-6APBW (V56878))<br>(OPT HL82-6APBW (V73197))<br>(USED WITH ITEMS 450, 453, 456, 459, 462, 465, 468, 471)  | CA-DR<br>,DW-E<br>H | 32           |

# 71-11-56

 ILLUSTRATED PARTS LIST  
 01.1 Page 1098R  
 Nov 01/04

 **BOEING**  
COMPONENT  
MAINTENANCE MANUAL

| FIG. & ITEM  | PART NO.     | AIRLINE PART NUMBER | NOMENCLATURE<br>1234567   | EFF CODE   | QTY PER ASSY |
|--------------|--------------|---------------------|---|--|--------------|
| 18-<br>-474A | HST79CY6     |                     | .COLLAR-<br>(V73197)<br>(SPEC BACC30BL6)<br>(OPT HST79-6<br>(V92215))<br>(OPT HST79CY6<br>(V56878))<br>(OPT HST79CY6<br>(V5M902))<br>(USED WITH ITEMS 450A,<br>453A, 456A, 459A, 462A,<br>465A, 468A, 471A) | CA-DR<br>,DW-E<br>H                              | 32           |
| 477          | BACR15CE6D   |                     | .RIVET-<br>(SIZE DETERMINE ON INST)   | CA-DR<br>,DW-E<br>H                              | 1            |
| 480          | BACB30MY6K13 |                     | .BOLT-<br>(OPT ITEM 480A)   | CA-CG<br>,CT-C<br>Z,D<br>L-DR,<br>DW-DY<br>EC-EE | 2            |
| -480A        | HST10AG6-13  |                     | .BOLT-<br>(VOPTK6)<br>(SPEC BACB30VT6K13)<br>(OPT HST10AG6-13<br>(V06725))<br>(OPT HST10AG6-13<br>(V56878))<br>(OPT HST10AG6-13<br>(V73197))<br>(OPT ITEM 480)  | CA-CG<br>,CT-C<br>Z,D<br>L-DR,<br>DW-DY<br>EC-EE | 2            |
| 483          | BACB30MY6K12 |                     | .BOLT-<br>(OPT ITEM 483A)   | CA-CG<br>,CT-C<br>Z,D<br>L-DR,<br>DW-DY<br>EC-EE | 1            |

71-11-56

| FIG. & ITEM  | PART NO.    | AIRLINE PART NUMBER | NOMENCLATURE<br>1234567   | EFF CODE   | QTY PER ASSY |
|--------------|-------------|---------------------|---|--|--------------|
| 18-<br>-483A | HST10AG6-12 |                     | .BOLT-<br>(VOPTK6)<br>(SPEC BACB30VT6K12)<br>(OPT HST10AG6-12<br>(V06725))<br>(OPT HST10AG6-12<br>(V56878))<br>(OPT HST10AG6-12<br>(V73197))<br>(OPT ITEM 483)            | CA-CG<br>,CT-C<br>Z,D<br>L-DR,<br>DW-DY<br>EC-EE | 1            |
| 486          | HL82-6APBW  |                     | .COLLAR-<br>(V5M902)<br>(SPEC BACC30AG6)<br>(OPT HL82-6APBW<br>(V92215))<br>(OPT HL82-6APBW<br>(V56878))<br>(OPT HL82-6APBW<br>(V73197))<br>(USED WITH ITEMS 480,<br>483) | CA-CG<br>,CT-C<br>Z,D<br>L-DR,<br>DW-DY<br>EC-EE | 3            |
| -486A        | HST79CY6    |                     | .COLLAR-<br>(V73197)<br>(SPEC BACC30BL6)<br>(OPT HST79-6<br>(V92215))<br>(OPT HST79CY6<br>(V56878))<br>(OPT HST79CY6<br>(V5M902))<br>(USED WITH ITEMS 480A,<br>483A)      | CA-CG<br>,CT-C<br>Z,D<br>L-DR,<br>DW-DY<br>EC-EE | 3            |

# 71-11-56

 ILLUSTRATED PARTS LIST  
 01.1 Page 1098T  
 Nov 01/04

 **BOEING**  
COMPONENT  
MAINTENANCE MANUAL

| FIG. & ITEM | PART NO.     | AIRLINE PART NUMBER | NOMENCLATURE<br>1234567  | EFF CODE   | QTY PER ASSY |
|-------------|--------------|---------------------|--|--|--------------|
| 18-489      | HL1012AZ6-13 |                     | .BOLT-<br>(V97928)<br>(SPEC BACB30NX6K13)<br>(OPT HL12VAZ6-13 (V73197))<br>(OPT HL12VAZ6-13 (V92215))<br>(OPT HL12VAZ6-13 (V97928))<br>(OPT L802-6K13 (V06725))<br>(OPT HL1012AZ6-13 (V0PTK6))<br>(OPT HL1012AZ6-13 (V06725))<br>(OPT HL1012AZ6-13 (V06950))<br>(OPT HL1012AZ6-13 (V17446))<br>(OPT HL1012AZ6-13 (V56878))<br>(OPT HL1012AZ6-13 (V60516))<br>(OPT HL1012AZ6-13 (V73197))<br>(OPT HL12VAZ6-13 (V56878)) | CA-CG<br>,CT-C<br>Z,D<br>L-DR,<br>DW-DY<br>EC-EE | 2            |
| 492         | HL1187DUW6   |                     | .COLLAR-<br>(V5M902)<br>(SPEC BACC30X6SW)<br>(OPT HL87DUW6 (V92215))<br>(OPT HL87DUW6 (V73197))<br>(OPT HL1187DUW6 (V56878))<br>(OPT HL1187DUW6 (V92215))<br>(OPT HL87DUW6 (V56878))<br>(OPT HL1187DUW6 (V73197))  | CA-CG<br>,CT-C<br>Z,D<br>L-DR,<br>DW-DY<br>EC-EE | 2            |

**71-11-56**

ILLUSTRATED PARTS LIST  
01.1 Page 1098U  
Nov 01/04



| FIG. & ITEM | PART NO.   | AIRLINE PART NUMBER | NOMENCLATURE<br>1234567  | EFF CODE   | QTY PER ASSY |
|-------------|------------|---------------------|--|--|--------------|
| 18-495      | L8006K6    |                     | .BOLT-<br>(V06725)<br>(SPEC BACB30MY6K6)<br>(OPT L800-6-6<br>(V97928))   | CA-CG<br>,CT-C<br>Z,D<br>L-DR,<br>DW-DY<br>EC-EE | 2            |
| 498         | HL79-6     |                     | .COLLAR-<br>(V5M902)<br>(SPEC BACC30M6)<br>(OPT HL79-6<br>(V73197))<br>(OPT HL79-6<br>(V92215))<br>(OPT 66014-6<br>(V56878))<br>(OPT HL79-6<br>(V56878)) | CA-CG<br>,CT-C<br>Z,D<br>L-DR,<br>DW-DY<br>EC-EE | 2            |
| 501         | 315T3105-8 |                     | .CLIP-TIE  | CA-CG<br>,CT-C<br>Z,D<br>L-DR,<br>DW-DY<br>EC-EE | 1            |

# 71-11-56

 ILLUSTRATED PARTS LIST  
 01.1 Page 1098V  
 Nov 01/04

 **BOEING**  
COMPONENT  
MAINTENANCE MANUAL

| FIG. & ITEM | PART NO.     | AIRLINE PART NUMBER | NOMENCLATURE  | EFF CODE                                | QTY PER ASSY |
|-------------|--------------|---------------------|---|---|--------------|
| 18-504      | HL1012AZ6-13 |                     | 1234567<br>.BOLT-<br>(V97928)<br>(SPEC BACB30NX6K13)<br>(OPT HL12VAZ6-13 (V73197))<br>(OPT HL12VAZ6-13 (V92215))<br>(OPT HL12VAZ6-13 (V97928))<br>(OPT L802-6K13 (V06725))<br>(OPT HL1012AZ6-13 (V0PTK6))<br>(OPT HL1012AZ6-13 (V06725))<br>(OPT HL1012AZ6-13 (V06950))<br>(OPT HL1012AZ6-13 (V17446))<br>(OPT HL1012AZ6-13 (V56878))<br>(OPT HL1012AZ6-13 (V60516))<br>(OPT HL1012AZ6-13 (V73197))<br>(OPT HL12VAZ6-13 (V56878)) | CH-CS<br>,DA-D<br>K,D<br>Z-EB,<br>EF-EH | 2            |
| 507         | HL1187DUW6   |                     | .COLLAR-<br>(V5M902)<br>(SPEC BACC30X6SW)<br>(OPT HL87DUW6 (V92215))<br>(OPT HL87DUW6 (V73197))<br>(OPT HL1187DUW6 (V56878))<br>(OPT HL1187DUW6 (V92215))<br>(OPT HL87DUW6 (V56878))<br>(OPT HL1187DUW6 (V73197))   | CH-CS<br>,DA-D<br>K,D<br>Z-EB,<br>EF-EH | 2            |

71-11-56

ILLUSTRATED PARTS LIST  
01.1 Page 1098W  
Nov 01/04

| FIG. & ITEM | PART NO.     | AIRLINE PART NUMBER | NOMENCLATURE<br>1234567  | EFF CODE                                | QTY PER ASSY |
|-------------|--------------|---------------------|--|---|--------------|
| 18-510      | L8006K6      |                     | .BOLT-<br>(V06725)<br>(SPEC BACB30MY6K6)<br>(OPT L800-6-6<br>(V97928))   | CH-CS<br>,DA-D<br>K,D<br>Z-EB,<br>EF-EH | 2            |
| 513         | HL79-6       |                     | .COLLAR-<br>(V5M902)<br>(SPEC BACC30M6)<br>(OPT HL79-6<br>(V73197))<br>(OPT HL79-6<br>(V92215))<br>(OPT 66014-6<br>(V56878))<br>(OPT HL79-6<br>(V56878)) | CH-CS<br>,DA-D<br>K,D<br>Z-EB,<br>EF-EH | 2            |
| 516         | 315T3105-4   |                     | .CLIP-TIE  | CH-CS<br>,DA-D<br>K,D<br>Z-EB,<br>EF-EH | 1            |
| -519        | 315T3318-269 |                     | .SEAL INSTL-<br>(FOR DETAILS SEE FIG. 6)   | CA-CC<br>,CT-C<br>V                     | 1            |
| -522        | 315T3318-270 |                     | .SEAL INSTL-<br>(FOR DETAILS SEE FIG. 6)   | CH-CK<br>,DA-<br>DC                     | 1            |

# 71-11-56

 ILLUSTRATED PARTS LIST  
 01.1 Page 1098X  
 Nov 01/04

 **BOEING**  
COMPONENT  
MAINTENANCE MANUAL

| FIG. & ITEM | PART NO.     | AIRLINE PART NUMBER | NOMENCLATURE<br>1234567  | EFF CODE           | QTY PER ASSY |
|-------------|--------------|---------------------|--|--------------------|--------------|
| 18-525      | HL1012AZ6-21 |                     | .BOLT-<br>(V97928)<br>(SPEC BACB30NX6K21)<br>(OPT HL12VAZ6-21 (V73197))<br>(OPT HL12VAZ6-21 (V92215))<br>(OPT HL12VAZ6-21 (V97928))<br>(OPT L802-6K21 (V06725))<br>(OPT HL12VAZ6-21 (V56878))<br>(OPT HL1012AZ6-21 (V0PTK6))<br>(OPT HL1012AZ6-21 (V06725))<br>(OPT HL1012AZ6-21 (V06950))<br>(OPT HL1012AZ6-21 (V17446))<br>(OPT HL1012AZ6-21 (V56878))<br>(OPT HL1012AZ6-21 (V60516))<br>(OPT HL1012AZ6-21 (V73197)) | CA-DR<br>DW-E<br>H | 30           |

**71-11-56**

ILLUSTRATED PARTS LIST  
01.1 Page 1098Y  
Nov 01/04

| FIG. & ITEM | PART NO.     | AIRLINE PART NUMBER | NOMENCLATURE<br>1234567  | EFF CODE           | QTY PER ASSY |
|-------------|--------------|---------------------|--|--------------------|--------------|
| 18-528      | HL1012AZ6-24 |                     | .BOLT-<br>(V97928)<br>(SPEC BACB30NX6K24)<br>(OPT HL12VAZ6-24<br>(V73197))<br>(OPT HL12VAZ6-24<br>(V92215))<br>(OPT L802-6K24<br>(V06725))<br>(OPT HL12VAZ6-24<br>(V97928))<br>(OPT HL12VAZ6-24<br>(V56878))<br>(OPT HL1012AZ6-24<br>(V0PTK6))<br>(OPT HL1012AZ6-24<br>(V06725))<br>(OPT HL1012AZ6-24<br>(V06950))<br>(OPT HL1012AZ6-24<br>(V17446))<br>(OPT HL1012AZ6-24<br>(V56878))<br>(OPT HL1012AZ6-24<br>(V60516))<br>(OPT HL1012AZ6-24<br>(V73197)) | CA-DR<br>DW-E<br>H | 1            |

# 71-11-56

 ILLUSTRATED PARTS LIST  
 01.1 Page 1098Z  
 Nov 01/04

 **BOEING**  
COMPONENT  
MAINTENANCE MANUAL

| FIG. & ITEM | PART NO.     | AIRLINE PART NUMBER | NOMENCLATURE<br>1234567  | EFF CODE           | QTY PER ASSY |
|-------------|--------------|---------------------|--|--------------------|--------------|
| 18-531      | HL1012AZ6-23 |                     | .BOLT-<br>(V97928)<br>(SPEC BACB30NX6K23)<br>(OPT HL12VAZ6-23<br>(V73197))<br>(OPT HL12VAZ6-23<br>(V92215))<br>(OPT L802-6K23<br>(V06725))<br>(OPT HL12VAZ6-23<br>(V97928))<br>(OPT HL1012AZ6-23<br>(V0PTK6))<br>(OPT HL1012AZ6-23<br>(V06725))<br>(OPT HL1012AZ6-23<br>(V06950))<br>(OPT HL1012AZ6-23<br>(V17446))<br>(OPT HL1012AZ6-23<br>(V56878))<br>(OPT HL1012AZ6-23<br>(V60516))<br>(OPT HL1012AZ6-23<br>(V73197))<br>(OPT HL12VAZ6-23<br>(V56878)) | CA-DR<br>DW-E<br>H | 1            |
| 534         | HL82-6APBW   |                     | .COLLAR-<br>(V5M902)<br>(SPEC BACC30AG6)<br>(OPT HL82-6APBW<br>(V92215))<br>(OPT HL82-6APBW<br>(V56878))<br>(OPT HL82-6APBW<br>(V73197))   | CA-DR<br>DW-E<br>H | 25           |
| 537         | HL79-6       |                     | DELETED  |                    |              |

71-11-56

ILLUSTRATED PARTS LIST  
01.1 Page 1099  
Nov 01/04

| FIG. & ITEM | PART NO.     | AIRLINE PART NUMBER | NOMENCLATURE<br>1234567  | EFF CODE   | QTY PER ASSY |
|-------------|--------------|---------------------|--|--|--------------|
| 18-537A     | HL1187DUW6   |                     | .COLLAR-<br>(V5M902)<br>(SPEC BACC30X6SW)<br>(OPT HL87DUW6<br>(V92215))<br>(OPT HL87DUW6<br>(V73197))<br>(OPT HL1187DUW6<br>(V56878))<br>(OPT HL1187DUW6<br>(V92215))<br>(OPT HL87DUW6<br>(V56878))<br>(OPT HL1187DUW6<br>(V73197))                                  | CA-DR<br>,DW-E<br>H                              | 7            |
| 540         | BACB30MY6K22 |                     | .BOLT  | CA-CG<br>,CT-C<br>Z,D<br>L-DR,<br>DW-DY<br>EC-EE | 5            |
| 543         | BACB30MY6K23 |                     | .BOLT  | CA-CG<br>,CT-C<br>Z,D<br>L-DR,<br>DW-DY<br>EC-EE | 5            |
| 544         | HL11VAZ6-6   |                     | .BOLT-<br>(V60516)<br>(SPEC BACB30NW6K6)<br>(OPT B30NW6K6<br>(V97928))<br>(OPT HL11VAZ6-6<br>(V73197))<br>(OPT HL11VAZ6-6<br>(V92215))<br>(OPT HL11VAZ6-6<br>(V97928))<br>(OPT L803-6K6<br>(V06725))<br>(OPT HL11VAZ6-6<br>(V0PTK6))<br>(OPT HL11VAZ6-6<br>(V56878)) | CA-CG<br>,CT-C<br>Z,D<br>L-DR,<br>DW-DY<br>EC-EE | 1            |

# 71-11-56

 ILLUSTRATED PARTS LIST  
 01.1 Page 1100  
 Nov 01/04

 **BOEING**  
COMPONENT  
MAINTENANCE MANUAL

| FIG. & ITEM | PART NO.    | AIRLINE PART NUMBER | NOMENCLATURE<br>1234567  | EFF CODE   | QTY PER ASSY |
|-------------|-------------|---------------------|--|--|--------------|
| 18-549      | HL82-6APBW  |                     | .COLLAR-<br>(V5M902)<br>(SPEC BACC30AG6)<br>(OPT HL82-6APBW<br>(V92215))<br>(OPT HL82-6APBW<br>(V56878))<br>(OPT HL82-6APBW<br>(V73197))                 | CA-CG<br>,CT-C<br>Z,D<br>L-DR,<br>DW-DY<br>EC-EE | 3            |
| 552         | HL79-6      |                     | .COLLAR-<br>(V5M902)<br>(SPEC BACC30M6)<br>(OPT HL79-6<br>(V73197))<br>(OPT HL79-6<br>(V92215))<br>(OPT 66014-6<br>(V56878))<br>(OPT HL79-6<br>(V56878)) | CA-CG<br>,CT-C<br>Z,D<br>L-DR,<br>DW-DY<br>EC-EE | 8            |
| 555         | BACB30MY6K5 |                     | .BOLT  | CH-CS<br>,DA-D<br>K,D<br>Z-EB,<br>EF-EH          | 3            |
| 558         | HL79-6      |                     | .COLLAR-<br>(V5M902)<br>(SPEC BACC30M6)<br>(OPT HL79-6<br>(V73197))<br>(OPT HL79-6<br>(V92215))<br>(OPT 66014-6<br>(V56878))<br>(OPT HL79-6<br>(V56878)) | CH-CS<br>,DA-D<br>K,D<br>Z-EB,<br>EF-EH          | 3            |

**71-11-56**

ILLUSTRATED PARTS LIST  
01.1 Page 1100A  
Nov 01/04



| FIG. & ITEM | PART NO.      | AIRLINE PART NUMBER | NOMENCLATURE<br>1234567   | EFF CODE                                | QTY PER ASSY |
|-------------|---------------|---------------------|---|---|--------------|
| 18-561      | HST10AG6-5    |                     | .BOLT-<br>(VOPTK6)<br>(SPEC BACB30VT6K5)<br>(OPT HST10AG6-5<br>(V06725))<br>(OPT HST10AG6-5<br>(V56878))<br>(OPT HST10AG6-5<br>(V73197))<br>(OPT ITEM 564)  | CH-CS<br>,DA-D<br>K,D<br>Z-EB,<br>EF-EH | 2            |
| 564         | MS21141-0605P |                     | .FASTENER-<br>(OPT ITEM 561)  | CH-CS<br>,DA-D<br>K,D<br>Z-EB,<br>EF-EH | 2            |
| 567         | HST79CY6      |                     | .COLLAR-<br>(V73197)<br>(SPEC BACC30BL6)<br>(OPT HST79-6<br>(V92215))<br>(OPT HST79CY6<br>(V56878))<br>(OPT HST79CY6<br>(V5M902))<br>(USED WITH ITEM 561)   | CH-CS<br>,DA-D<br>K,D<br>Z-EB,<br>EF-EH | 2            |
| 570         | HST10AG6-4    |                     | .BOLT-<br>(V06725)<br>(SPEC BACB30VT6K4)<br>(OPT HST10AG6-4<br>(V73197))<br>(OPT HST10AG6-4<br>(V56878))<br>(OPT HST10AG6-4<br>(VOPTK6))<br>(OPT ITEM 570A) | CH-CS<br>,DA-D<br>K,D<br>Z-EB,<br>EF-EH | 5            |
| -570A       | HST11AG6-4    |                     | .BOLT-<br>(V06725)<br>(SPEC BACB30VU6K4)<br>(OPT HST11AG6-4<br>(V73197))<br>(OPT HST11AG6-4<br>(VOPTK6))<br>(OPT HST11AG6-4<br>(V56878))<br>(OPT ITEM 570)  | CH-CS<br>,DA-D<br>K,D<br>Z-EB,<br>EF-EH | 5            |

# 71-11-56

 ILLUSTRATED PARTS LIST  
 01.1 Page 1100B  
 Nov 01/04

 **BOEING**  
COMPONENT  
MAINTENANCE MANUAL

| FIG. & ITEM    | PART NO.                 | AIRLINE PART NUMBER | NOMENCLATURE<br>1234567   | EFF CODE                                | QTY PER ASSY |
|----------------|--------------------------|---------------------|---|---|--------------|
| 18-573         | HST10AG6-5               |                     | .BOLT-<br>(VOPTK6)<br>(SPEC BACB30VT6K5)<br>(OPT HST10AG6-5<br>(V06725))<br>(OPT HST10AG6-5<br>(V56878))<br>(OPT HST10AG6-5<br>(V73197))<br>(OPT ITEM 573B)           | CH-CS<br>,DA-D<br>K,D<br>Z-EB,<br>EF-EH | 1            |
| -573A<br>-573B | HST11AG6-3<br>HST11AG6-5 |                     | DELETED<br>.BOLT-<br>(V06725)<br>(SPEC BACB30VU6K5)<br>(OPT HST11AG6-5<br>(V73197))<br>(OPT HST11AG6-5<br>(V56878))<br>(OPT HST11AG6-5<br>(VOPTK6))<br>(OPT ITEM 573) | CH-CS<br>,DA-D<br>K,D<br>Z-EB,<br>EF-EH | 1            |
| 576            | HST79CY6                 |                     | .COLLAR-<br>(V73197)<br>(SPEC BACC30BL6)<br>(OPT HST79-6<br>(V92215))<br>(OPT HST79CY6<br>(V56878))<br>(OPT HST79CY6<br>(V5M902))                                     | CH-CS<br>,DA-D<br>K,D<br>Z-EB,<br>EF-EH | 6            |

71-11-56

ILLUSTRATED PARTS LIST  
01.1 Page 1100C  
Nov 01/04

| FIG. & ITEM | PART NO.        | AIRLINE PART NUMBER | NOMENCLATURE<br>1234567 | EFF CODE   | QTY PER ASSY |
|-------------|-----------------|---------------------|-------------------------|--|--------------|
| 18-579      | MS21141-0603P   |                     | .FASTENER               | CH-CS<br>,DA-D<br>K,D<br>Z-EB,<br>EF-EH          | 5            |
| 582         | MS21141-0604P   |                     | .FASTENER               | CH-CS<br>,DA-D<br>K,D<br>Z-EB,<br>EF-EH          | 2            |
| 585         | 315U4005-7      |                     | .ANGLE-ATTACH           | CA-CG<br>,CT-C<br>Z,D<br>L-DR,<br>DW-DY<br>EC-EE | 1            |
| 588         | 315U4005-5      |                     | .ANGLE-ATTACH           | CA-CG<br>,CT-C<br>Z,D<br>L-DR,<br>DW-DY<br>EC-EE | 1            |
| 591         | 315U4005-3      |                     | .ANGLE-ATTACH           | CA-CG<br>,CT-C<br>Z,D<br>L-DR,<br>DW-DY<br>EC-EE | 1            |
| 592         | BACS40R009B033F |                     | .SHIM                   | DW-DY<br>,EC-E<br>E                              | AR           |
| 594         | 315T3005-13     |                     | .ANGLE-ATTACH           | CH-CS<br>,DA-D<br>K,D<br>Z-EB,<br>EF-EH          | 1            |
| 597         | 315T3005-10     |                     | .ANGLE-ATTACH           | CH-CS<br>,DA-D<br>K,D<br>Z-EB,<br>EF-EH          | 1            |

# 71-11-56

 ILLUSTRATED PARTS LIST  
 01.1 Page 1100D  
 Nov 01/04



**BOEING**  
COMPONENT  
MAINTENANCE MANUAL

| FIG. & ITEM | PART NO.    | AIRLINE PART NUMBER | NOMENCLATURE<br>1234567 | EFF CODE                                | QTY PER ASSY |
|-------------|-------------|---------------------|-------------------------|---|--------------|
| 18-600      | 315T4013-53 |                     | .ANGLE-ATTACH           | CH-CS<br>,DA-D<br>K,D<br>Z-EB,<br>EF-EH | 1            |
| 603         | 315T4013-57 |                     | .BOLT-<br>(SELECT FROM) | CA-DR<br>,DW-E<br>H                     | 2            |
| -603A       | 315T4013-97 |                     | .BOLT-<br>(SELECT FROM) | CA-DR<br>,DW-E<br>H                     | 2            |
| -603B       | 315T4013-98 |                     | .BOLT-<br>(SELECT FROM) | CA-DR<br>,DW-E<br>H                     | 2            |
| 606         | 315T4013-54 |                     | .BOLT-<br>(SELECT FROM) | CA-DR<br>,DW-E<br>H                     | 1            |
| -606A       | 315T4013-87 |                     | .BOLT-<br>(SELECT FROM) | CA-DR<br>,DW-E<br>H                     | 1            |
| -606B       | 315T4013-94 |                     | .BOLT-<br>(SELECT FROM) | CA-DR<br>,DW-E<br>H                     | 1            |
| 609         | 315T4013-55 |                     | .BOLT-<br>(SELECT FROM) | CA-DR<br>,DW-E<br>H                     | 1            |
| -609A       | 315T4013-58 |                     | .BOLT-<br>(SELECT FROM) | CA-DR<br>,DW-E<br>H                     | 1            |
| -609B       | 315T4013-93 |                     | .BOLT-<br>(SELECT FROM) | CA-DR<br>,DW-E<br>H                     | 1            |
| 612         | 315T4013-56 |                     | .BOLT-<br>(SELECT FROM) | CA-DR<br>,DW-E<br>H                     | 1            |
| -612A       | 315T4013-95 |                     | .BOLT-<br>(SELECT FROM) | CA-DR<br>,DW-E<br>H                     | 1            |
| -612B       | 315T4013-96 |                     | .BOLT-<br>(SELECT FROM) | CA-DR<br>,DW-E<br>H                     | 1            |

71-11-56

ILLUSTRATED PARTS LIST  
01.1 Page 1100E  
Nov 01/04

| FIG. & ITEM | PART NO.      | AIRLINE PART NUMBER | NOMENCLATURE<br>1234567   | EFF CODE            | QTY PER ASSY |
|-------------|---------------|---------------------|---------------------------|---------------------|--------------|
| 18-615      | 315T4013-58   |                     | .BOLT-<br>(SELECT FROM)   | CA-DR<br>,DW-E<br>H | 1            |
| -615A       | 315T4013-54   |                     | .BOLT-<br>(SELECT FROM)   | CA-DR<br>,DW-E<br>H | 1            |
| -615B       | 315T4013-55   |                     | .BOLT-<br>(SELECT FROM)   | CA-DR<br>,DW-E<br>H | 1            |
| -615C       | 315T4013-94   |                     | .BOLT-<br>(SELECT FROM)   | CA-DR<br>,DW-E<br>H | 1            |
| 618         | NAS1149D0516J |                     | .WASHER-<br>(SELECT FROM) | CA-DR<br>,DW-E<br>H | 3            |
| -618A       | NAS1149D0563J |                     | .WASHER-<br>(SELECT FROM) | CA-DR<br>,DW-E<br>H | 3            |
| 621         | NAS1149D0616J |                     | .WASHER-<br>(SELECT FROM) | CA-DR<br>,DW-E<br>H | 2            |
| -621A       | NAS1149D0663J |                     | .WASHER-<br>(SELECT FROM) | CA-DR<br>,DW-E<br>H | 2            |
| 624         | NAS1149D0416J |                     | .WASHER-<br>(SELECT FROM) | CA-DR<br>,DW-E<br>H | 1            |
| -624A       | NAS1149D0463J |                     | .WASHER-<br>(SELECT FROM) | CA-DR<br>,DW-E<br>H | 1            |
| 627         | MS21042L5     |                     | .NUT                      | CA-DR<br>,DW-E<br>H | 3            |
| 630         | MS21042L6     |                     | .NUT                      | CA-DR<br>,DW-E<br>H | 2            |
| 633         | MS21042L4     |                     | .NUT                      | CA-DR<br>,DW-E<br>H | 1            |
| 636         | 315T4013-10   |                     | .SHIM                     | CA-DR<br>,DW-E<br>H | 1            |

# 71-11-56

 ILLUSTRATED PARTS LIST  
 01.1 Page 1100F  
 Nov 01/04

| FIG. & ITEM | PART NO.    | AIRLINE PART NUMBER | NOMENCLATURE<br>1234567                            | EFF CODE   | QTY PER ASSY |
|-------------|-------------|---------------------|--|--|--------------|
| 18-639      | 315T4013-13 |                     | .SHIM  | CA-DR<br>,DW-E<br>H                              | 1            |
| -642        | 315T4300-27 |                     | .BIFURCATION INSTL-UPR<br>(FOR DETAILS SEE FIG. 5) | CA-CC<br>,CT-C<br>V                              | 1            |
| -645        | 315T4300-28 |                     | .BIFURCATION INSTL-UPR<br>(FOR DETAILS SEE FIG. 5) | CH-CK<br>,DA-<br>DC                              | 1            |
| 648         | CSR924-6-9  |                     | .RIVET-<br>(V05693)                                | CA-DR<br>,DW-E<br>H                              | 1            |
| 651         | CSR924-5-7  |                     | .RIVET-<br>(V05693)                                | CA-DR<br>,DW-E<br>H                              | 1            |
| 654         | CSR924-6-6  |                     | .RIVET-<br>(V05693)                                | CA-DR<br>,DW-E<br>H                              | 1            |
| 657         | MS20427M4D  |                     | .RIVET   | CA-DR<br>,DW-E<br>H                              | 2            |
| 658         | MS20427M4D  |                     | .RIVET   | CA-CG<br>,CT-C<br>Z,D<br>L-DR,<br>DW-DY<br>EC-EE | 1            |
| 659         | MS20427M4D  |                     | .RIVET   | CH-CS<br>,DA-D<br>K,D<br>Z-EB,<br>EF-EH          | 1            |

71-11-56

ILLUSTRATED PARTS LIST  
01.1 Page 1100G  
Nov 01/04

| FIG. & ITEM | PART NO.        | AIRLINE PART NUMBER | NOMENCLATURE<br>1234567             | EFF CODE   | QTY PER ASSY |
|-------------|-----------------|---------------------|-------------------------------------|--|--------------|
| 18-660      | 315T3002-137    |                     | .STRIP-RUB                          | CA-CG<br>,CT-C<br>Z,D<br>L-DR,<br>DW-DY<br>EC-EE | 1            |
| 663         | 315T3002-138    |                     | .STRIP-RUB                          | CH-CS<br>,DA-D<br>K,D<br>Z-EB,<br>EF-EH          | 1            |
| 666         | 315T3002-141    |                     | .FILLER-RUB                         | CA-DR<br>,DW-E<br>H                              | 1            |
| 669         | BACS40R004F041F |                     | .SHIM                               | CA-DR<br>,DW-E<br>H                              | 1            |
| 672         | BACR15BB5AD     |                     | .RIVET-<br>(SIZE DETERMINE ON INST) | CA-DR<br>,DW-E<br>H                              | 1            |
| 675         | NAS1398CW5-2    |                     | .RIVET                              | CA-DR<br>,DW-E<br>H                              | 1            |
| 678         | BACB30MY5K17    |                     | .BOLT                               | CA-DR<br>,DW-E<br>H                              | 20           |
| 681         | BACB30MY5K17    |                     | .BOLT                               | CA-CG<br>,CT-C<br>Z,D<br>L-DR,<br>DW-DY<br>EC-EE | 2            |

# 71-11-56

 ILLUSTRATED PARTS LIST  
 01.1 Page 1100H  
 Nov 01/04

**BOEING**  
COMPONENT  
MAINTENANCE MANUAL

| FIG. & ITEM | PART NO.      | AIRLINE PART NUMBER | NOMENCLATURE<br>1234567  | EFF CODE   | QTY PER ASSY |
|-------------|---------------|---------------------|--|--|--------------|
| 18-684      | HL70-5        |                     | .COLLAR-<br>(V5M902)<br>(SPEC BACC30M5)<br>(OPT HL70-5<br>(V73197))<br>(OPT HL70-5<br>(V92215))<br>(OPT 66014-5<br>(V56878))<br>(OPT HL70-5<br>(V56878)) | CA-DR<br>,DW-E<br>H                              | 20           |
| 687         | HL70-5        |                     | .COLLAR-<br>(V5M902)<br>(SPEC BACC30M5)<br>(OPT HL70-5<br>(V73197))<br>(OPT HL70-5<br>(V92215))<br>(OPT 66014-5<br>(V56878))<br>(OPT HL70-5<br>(V56878)) | CA-CG<br>,CT-C<br>Z,D<br>L-DR,<br>DW-DY<br>EC-EE | 2            |
| 688         | 2ASPPDPT6-17  |                     | .PIN-<br>(V17446)  | CA-CP<br>,CT-D<br>G                              | 1            |
| -688A       | 2ASPPDPT06-17 |                     | .PIN-<br>(V17446)  | CQ-CS<br>,DH-D<br>R,D<br>W-EH                    | 1            |
| 689         | 2ASPPSDT6     |                     | .SLEEVE-<br>(V17446)   | CA-CP<br>,CT-D<br>G                              | 1            |
| -689A       | 2ASPPSDT06    |                     | .SLEEVE-<br>(V17446)   | CQ-CS<br>,DH-D<br>R,D<br>W-EH                    | 1            |

71-11-56

ILLUSTRATED PARTS LIST  
01.1 Page 1100I  
Nov 01/04



| FIG. & ITEM | PART NO.     | AIRLINE PART NUMBER | NOMENCLATURE<br>1234567             | EFF CODE   | QTY PER ASSY |
|-------------|--------------|---------------------|-------------------------------------|--|--------------|
| 18-690      | BACR15CE5D   |                     | DELETED                             |  |              |
| 691         | ASPLC2AC6    |                     | .COLLAR-<br>(V17446)                | CA-CP<br>,CT-D<br>G  | 1            |
| -691A       | ASPLC2AC06   |                     | .COLLAR-<br>(V17446)                | CQ-CS<br>,DH-D<br>R,D<br>W-EH  | 1            |
| 692         | BACR15CE5D   |                     | .RIVET-<br>(SIZE DETERMINE ON INST) | CD,CE<br>,CL,C<br>M,CQ,<br>CR,CW<br>,CX<br>DD,DE<br>,DH,D<br>J,DL,<br>DM,DP<br>,DQ | 7            |
| -692A       | BACR15CE5KE  |                     | .RIVET-<br>(SIZE DETERMINE ON INST) | CA-CC<br>,CF-C<br>K,CN,<br>CP,C<br>S-CV<br>CY-DC<br>,DG,D<br>K,DN,<br>DR           | 7            |
| 693         | NAS1398CW5-3 |                     | .RIVET                              | CA-DR<br>,DW-E<br>H  | 1            |
| 696         | BACB30MY5K18 |                     | .BOLT                               | CA-DR<br>,DW-E<br>H  | 35           |

# 71-11-56

 ILLUSTRATED PARTS LIST  
 01.1 Page 1100J  
 Nov 01/04

| FIG. & ITEM | PART NO.     | AIRLINE PART NUMBER | NOMENCLATURE<br>1234567  | EFF CODE   | QTY PER ASSY |
|-------------|--------------|---------------------|--|--|--------------|
| 18-699      | BACB30MY5K4  |                     | .BOLT  | CA-DR<br>,DW-E<br>H                              | 2            |
| 702         | HL70-5       |                     | .COLLAR-<br>(V5M902)<br>(SPEC BACC30M5)<br>(OPT HL70-5<br>(V73197))<br>(OPT HL70-5<br>(V92215))<br>(OPT 66014-5<br>(V56878))<br>(OPT HL70-5<br>(V56878)) | CA-DR<br>,DW-E<br>H                              | 37           |
| 705         | 315T4008-3   |                     | .FAIRING-FILLET  | CA-CG<br>,CT-C<br>Z,D<br>L-DR,<br>DW-DY<br>EC-EE | 1            |
| -708        | 315T4008-4   |                     | .FAIRING-FILLET  | CH-CS<br>,DA-D<br>K,D<br>Z-EB,<br>EF-EH          | 1            |
| 711         | BACB30MY6K10 |                     | .BOLT  | CA-DR<br>,DW-E<br>H                              | 1            |
| 714         | BACB30MY6K21 |                     | .BOLT  | CA-DR<br>,DW-E<br>H                              | 8            |

71-11-56

ILLUSTRATED PARTS LIST  
01.1 Page 1100K  
Nov 01/04

| FIG. & ITEM | PART NO.     | AIRLINE PART NUMBER | NOMENCLATURE<br>1234567  | EFF CODE   | QTY PER ASSY |
|-------------|--------------|---------------------|--|--|--------------|
| 18-717      | BACB30MY6K19 |                     | .BOLT  | CA-DR<br>,DW-E<br>H  | 34           |
| 718         | BACB30MY6K19 |                     | .BOLT  | CA-CC<br>,CF-C<br>K,CN,<br>CP,C<br>S-CV<br>CY,C<br>Z-DC,<br>DF,DG<br>,DK,D<br>N,DR | 4            |
| 720         | HL79-6       |                     | .COLLAR-<br>(V5M902)<br>(SPEC BACC30M6)<br>(OPT HL79-6<br>(V73197))<br>(OPT HL79-6<br>(V92215))<br>(OPT 66014-6<br>(V56878))<br>(OPT HL79-6<br>(V56878)) | CA-DR<br>,DW-E<br>H  | 43           |
| 721         | HL79-6       |                     | .COLLAR-<br>(V5M902)<br>(SPEC BACC30M6)<br>(OPT HL79-6<br>(V73197))<br>(OPT HL79-6<br>(V92215))<br>(OPT 66014-6<br>(V56878))<br>(OPT HL79-6<br>(V56878)) | CA-CC<br>,CF-C<br>K,CN,<br>CP,C<br>S-CV<br>CY,C<br>Z-DC,<br>DF,DG<br>,DK,D<br>N,DR | 4            |

# 71-11-56

 ILLUSTRATED PARTS LIST  
 01.1 Page 1100L  
 Nov 01/04

 **BOEING**  
COMPONENT  
MAINTENANCE MANUAL

| FIG. & ITEM | PART NO.    | AIRLINE PART NUMBER | NOMENCLATURE<br>1234567            | EFF CODE   | QTY PER ASSY |
|-------------|-------------|---------------------|------------------------------------|--|--------------|
| 18-723      | 315T4013-17 |                     | . FILLER                           | CA-CG<br>,CT-C<br>Z,D<br>L-DR,<br>DW-DY<br>EC-EE | 1            |
| -726        | 315T4013-18 |                     | . FILLER                           | CH-CS<br>,DA-D<br>K,D<br>Z-EB,<br>EF-EH          | 1            |
| 729         | 315T4013-19 |                     | . FILLER                           | CA-CG<br>,CT-C<br>Z,D<br>L-DR,<br>DW-DY<br>EC-EE | 1            |
| -732        | 315T4013-20 |                     | . FILLER                           | CH-CS<br>,DA-D<br>K,D<br>Z-EB,<br>EF-EH          | 1            |
| 735         | 315T4409-13 |                     | .PAD ASSY-CPRSN                    | CA-CG<br>,CT-C<br>Z,D<br>L-DR,<br>DW-DY<br>EC-EE | 1            |
| -738        | 315T4409-22 |                     | .PAD ASSY-CPRSN<br>(OPT ITEM 738A) | CH-CP<br>,DA-D<br>G                              | 1            |
| -738A       | 315T4409-23 |                     | .PAD ASSY-CPRSN<br>(OPT ITEM 738)  | CH-CP<br>,DA-D<br>G                              | 1            |
| -738B       | 315T4409-26 |                     | .PAD ASSY-CPRSN                    | CQ-CS<br>,DH-D<br>K,D<br>Z-EB,<br>EF-EH          | 1            |

**71-11-56**

ILLUSTRATED PARTS LIST  
01.1 Page 1100M  
Nov 01/04

| FIG. & ITEM | PART NO.    | AIRLINE PART NUMBER | NOMENCLATURE<br>1234567                | EFF CODE   | QTY PER ASSY |
|-------------|-------------|---------------------|--|--|--------------|
| 18-741      | 315T4409-21 |                     | ..PLATE-WEAR                           | CH-CP<br>,DA-D<br>G                              | 1            |
| -741A       | 315T4409-24 |                     | ..PLATE-WEAR                           | CQ-CS<br>,DH-D<br>K,D<br>Z-EB,<br>EF-EH          | 1            |
| 744         | 315T4409-17 |                     | ..PAD                                  | CA-CG<br>,CT-C<br>Z,D<br>L-DR,<br>DW-DY<br>EC-EE | 1            |
| -747        | 315T4409-18 |                     | ..PAD-<br>(USED ON ITEMS 738,<br>738B) | CH-CS<br>,DA-D<br>K,D<br>Z-EB,<br>EF-EH          | 1            |
| -747A       | 315T4409-20 |                     | ..PAD-<br>(USED ON ITEM 738A)          | CH-CP<br>,DA-D<br>G                              | 1            |
| 750         | 315T4013-11 |                     | .SHIM                                  | CA-CG<br>,CT-C<br>Z,D<br>L-DR,<br>DW-DY<br>EC-EE | 1            |
| -753        | 315T4013-12 |                     | .SHIM                                  | CH-CS<br>,DA-D<br>K,D<br>Z-EB,<br>EF-EH          | 1            |
| 756         | 315T4013-16 |                     | .SHIM                                  | CA-DR<br>,DW-E<br>H                              | 1            |

# 71-11-56

 ILLUSTRATED PARTS LIST  
 01.1 Page 1100N  
 Nov 01/04

 **BOEING**  
COMPONENT  
MAINTENANCE MANUAL

| FIG. & ITEM | PART NO.      | AIRLINE PART NUMBER | NOMENCLATURE<br>1234567  | EFF CODE            | QTY PER ASSY |
|-------------|---------------|---------------------|--|---------------------|--------------|
| 18-759      | HL1012AZ6-21  |                     | .BOLT-<br>(V97928)<br>(SPEC BACB30NX6K21)<br>(OPT HL12VAZ6-21<br>(V73197))<br>(OPT HL12VAZ6-21<br>(V92215))<br>(OPT HL12VAZ6-21<br>(V97928))<br>(OPT L802-6K21<br>(V06725))<br>(OPT HL12VAZ6-21<br>(V56878))<br>(OPT HL1012AZ6-21<br>(V0PTK6))<br>(OPT HL1012AZ6-21<br>(V06725))<br>(OPT HL1012AZ6-21<br>(V06950))<br>(OPT HL1012AZ6-21<br>(V17446))<br>(OPT HL1012AZ6-21<br>(V56878))<br>(OPT HL1012AZ6-21<br>(V60516))<br>(OPT HL1012AZ6-21<br>(V73197)) | CA-DR<br>,DW-E<br>H | 4            |
| 762         | HL1087-6      |                     | .COLLAR-<br>(V73197)<br>(SPEC BACC30BH6)<br>(OPT HL1087-6<br>(V56878))<br>(OPT HL1087-6<br>(V92215))<br>(OPT HL1087-6<br>(V9N513))   | CA-DR<br>,DW-E<br>H | 4            |
| 765         | 315T4131-1    |                     | .PAD ASSY-<br>(OPT ITEM 765A)  | CA-DR<br>,DW-E<br>H | 2            |
| -765A       | 315T4131-2    |                     | .PAD ASSY-<br>(OPT ITEM 765)   | CA-DR<br>,DW-E<br>H | 2            |
| 768         | MS21209C0820P |                     | ..INSERT   | CA-DR<br>,DW-E<br>H | 1            |

**71-11-56**

| FIG. & ITEM | PART NO.        | AIRLINE PART NUMBER | NOMENCLATURE<br>1234567  | EFF CODE   | QTY PER ASSY |
|-------------|-----------------|---------------------|--|--|--------------|
| 18-771      | 315N3409-9      |                     | ..PLATE-WEAR   | CA-DR<br>,DW-E<br>H                              | 1            |
| 774         | 315T4131-3      |                     | ..PAD-<br>(USED ON ITEM 765)   | CA-DR<br>,DW-E<br>H                              | 1            |
| -774A       | 315T4131-4      |                     | ..PAD-<br>(USED ON ITEM 765A)  | CA-DR<br>,DW-E<br>H                              | 1            |
| 777         | BACS40R023C030F |                     | .SHIM  | CA-DR<br>,DW-E<br>H                              | 1            |
| 780         | 315T4013-14     |                     | .SHIM  | CA-DR<br>,DW-E<br>H                              | 1            |
| 783         | HL1012AZ6-21    |                     | .BOLT-<br>(V97928)<br>(SPEC BACB30NX6K21)<br>(OPT HL12VAZ6-21<br>(V73197))<br>(OPT HL12VAZ6-21<br>(V92215))<br>(OPT HL12VAZ6-21<br>(V97928))<br>(OPT L802-6K21<br>(V06725))<br>(OPT HL12VAZ6-21<br>(V56878))<br>(OPT HL1012AZ6-21<br>(V0PTK6))<br>(OPT HL1012AZ6-21<br>(V06725))<br>(OPT HL1012AZ6-21<br>(V06950))<br>(OPT HL1012AZ6-21<br>(V17446))<br>(OPT HL1012AZ6-21<br>(V56878))<br>(OPT HL1012AZ6-21<br>(V60516))<br>(OPT HL1012AZ6-21<br>(V73197)) | CA-CG<br>,CT-C<br>Z,D<br>L-DR,<br>DW-DY<br>EC-EE | 2            |

# 71-11-56

 ILLUSTRATED PARTS LIST  
 01.1 Page 1100P  
 Nov 01/04

 **BOEING**  
COMPONENT  
MAINTENANCE MANUAL

| FIG. & ITEM | PART NO.     | AIRLINE PART NUMBER | NOMENCLATURE<br>1234567  | EFF CODE   | QTY PER ASSY |
|-------------|--------------|---------------------|--|--|--------------|
| 18-786      | HL1012AZ6-19 |                     | .BOLT-<br>(V97928)<br>(SPEC BACB30NX6K19)<br>(OPT HL12VAZ6-19 (V73197))<br>(OPT HL12VAZ6-19 (V92215))<br>(OPT HL12VAZ6-19 (V97928))<br>(OPT L802-6K19 (V06725))<br>(OPT HL12VAZ6-19 (V56878))<br>(OPT HL1012AZ6-19 (V0PTK6))<br>(OPT HL1012AZ6-19 (V06725))<br>(OPT HL1012AZ6-19 (V06950))<br>(OPT HL1012AZ6-19 (V17446))<br>(OPT HL1012AZ6-19 (V56878))<br>(OPT HL1012AZ6-19 (V60516))<br>(OPT HL1012AZ6-19 (V73197)) | CA-CG<br>,CT-C<br>Z,D<br>L-DR,<br>DW-DY<br>EC-EE | 1            |

**71-11-56**

ILLUSTRATED PARTS LIST  
01.1 Page 1100Q  
Nov 01/04



| FIG. & ITEM | PART NO.     | AIRLINE PART NUMBER | NOMENCLATURE<br>1234567  | EFF CODE   | QTY PER ASSY |
|-------------|--------------|---------------------|--|--|--------------|
| 18-787      | HL1012AZ6-19 |                     | .BOLT-<br>(V97928)<br>(SPEC BACB30NX6K19)<br>(OPT HL12VAZ6-19 (V73197))<br>(OPT HL12VAZ6-19 (V92215))<br>(OPT HL12VAZ6-19 (V97928))<br>(OPT L802-6K19 (V06725))<br>(OPT HL12VAZ6-19 (V56878))<br>(OPT HL1012AZ6-19 (V0PTK6))<br>(OPT HL1012AZ6-19 (V06725))<br>(OPT HL1012AZ6-19 (V06950))<br>(OPT HL1012AZ6-19 (V17446))<br>(OPT HL1012AZ6-19 (V56878))<br>(OPT HL1012AZ6-19 (V60516))<br>(OPT HL1012AZ6-19 (V73197)) | CA-CC<br>,CF,C<br>G,C<br>T-CV,<br>CY,CZ<br>DN,DR | 2            |
| 789         | HL1087-6     |                     | .COLLAR-<br>(V73197)<br>(SPEC BACC30BH6)<br>(OPT HL1087-6 (V56878))<br>(OPT HL1087-6 (V92215))<br>(OPT HL1087-6 (V9N513))  | CA-CG<br>,CT-C<br>Z,D<br>L-DR,<br>DW-DY<br>EC-EE | 3            |
| 790         | HL1087-6     |                     | .COLLAR-<br>(V73197)<br>(SPEC BACC30BH6)<br>(OPT HL1087-6 (V56878))<br>(OPT HL1087-6 (V92215))<br>(OPT HL1087-6 (V9N513))  | CA-CC<br>,CF,C<br>G,C<br>T-CV,<br>CY,CZ<br>DN,DR | 2            |

# 71-11-56

 ILLUSTRATED PARTS LIST  
 01.1 Page 1100R  
 Nov 01/04

| FIG. & ITEM | PART NO.      | AIRLINE PART NUMBER | NOMENCLATURE<br>1234567              | EFF CODE   | QTY PER ASSY |
|-------------|---------------|---------------------|--------------------------------------|--|--------------|
| 18-792      | 315T4013-15   |                     | . FILLER                             | CA-CG<br>,CT-C<br>Z,D<br>L-DR,<br>DW-DY<br>EC-EE               | 2            |
| 795         | 2ASFPDPT06-19 |                     | .PIN-<br>(V17446)<br>(OPT ITEM 795A) | CD,CE<br>,CW,C<br>X,DL,<br>DM,DP<br>,DQ                        | 2            |
| -795A       | 2ASFPDPT06-18 |                     | .PIN-<br>(V17446)<br>(OPT ITEM 795)  | CD,CE<br>,CW,C<br>X,DL,<br>DM,DP<br>,DQ                        | 2            |
| -795B       | 2ASFPDPT06-19 |                     | .PIN-<br>(V17446)                    | DW-DY<br>,EC-E<br>E  | 2            |
| 798         | 2ASPPSDT06    |                     | .SLEEVE-<br>(V17446)                 | CD,CE<br>,CW,C<br>X,DL,<br>DM,DP<br>,DQ<br>DW-DY<br>,EC-E<br>E | 2            |
| 801         | ASPLC2AC06    |                     | .COLLAR-<br>(V17446)                 | CD,CE<br>,CW,C<br>X,DL,<br>DM,DP<br>,DQ<br>DW-DY<br>,EC-E<br>E | 2            |

71-11-56

ILLUSTRATED PARTS LIST  
01.1 Page 1100S  
Nov 01/04

| FIG. & ITEM | PART NO.     | AIRLINE PART NUMBER | NOMENCLATURE<br>1234567  | EFF CODE                                | QTY PER ASSY |
|-------------|--------------|---------------------|--|---|--------------|
| 18-804      | HL1012AZ6-19 |                     | .BOLT-<br>(V97928)<br>(SPEC BACB30NX6K19)<br>(OPT HL12VAZ6-19 (V73197))<br>(OPT HL12VAZ6-19 (V92215))<br>(OPT HL12VAZ6-19 (V97928))<br>(OPT L802-6K19 (V06725))<br>(OPT HL12VAZ6-19 (V56878))<br>(OPT HL1012AZ6-19 (V0PTK6))<br>(OPT HL1012AZ6-19 (V06725))<br>(OPT HL1012AZ6-19 (V06950))<br>(OPT HL1012AZ6-19 (V17446))<br>(OPT HL1012AZ6-19 (V56878))<br>(OPT HL1012AZ6-19 (V60516))<br>(OPT HL1012AZ6-19 (V73197)) | CH-CS<br>,DA-D<br>K,D<br>W-EB,<br>EF-EH | 3            |

**71-11-56**

ILLUSTRATED PARTS LIST  
 01.1 Page 1100T  
 Nov 01/04

 **BOEING**  
COMPONENT  
MAINTENANCE MANUAL

| FIG. & ITEM | PART NO.     | AIRLINE PART NUMBER | NOMENCLATURE<br>1234567  | EFF CODE   | QTY PER ASSY |
|-------------|--------------|---------------------|--|--|--------------|
| 18-805      | HL1012AZ6-19 |                     | .BOLT-<br>(V97928)<br>(SPEC BACB30NX6K19)<br>(OPT HL12VAZ6-19<br>(V73197))<br>(OPT HL12VAZ6-19<br>(V92215))<br>(OPT HL12VAZ6-19<br>(V97928))<br>(OPT L802-6K19<br>(V06725))<br>(OPT HL12VAZ6-19<br>(V56878))<br>(OPT HL1012AZ6-19<br>(V0PTK6))<br>(OPT HL1012AZ6-19<br>(V06725))<br>(OPT HL1012AZ6-19<br>(V06950))<br>(OPT HL1012AZ6-19<br>(V17446))<br>(OPT HL1012AZ6-19<br>(V56878))<br>(OPT HL1012AZ6-19<br>(V60516))<br>(OPT HL1012AZ6-19<br>(V73197)) | CH-CK<br>,CN,C<br>P,CS,<br>DA-DC<br>,DF<br>DG,DK | 1            |

**71-11-56**

ILLUSTRATED PARTS LIST  
01.1 Page 1100U  
Nov 01/04

| FIG. & ITEM | PART NO.     | AIRLINE PART NUMBER | NOMENCLATURE<br>1234567  | EFF CODE                                | QTY PER ASSY |
|-------------|--------------|---------------------|--|---|--------------|
| 18-807      | HL1012AZ6-21 |                     | .BOLT-<br>(V97928)<br>(SPEC BACB30NX6K21)<br>(OPT HL12VAZ6-21<br>(V73197))<br>(OPT HL12VAZ6-21<br>(V92215))<br>(OPT HL12VAZ6-21<br>(V97928))<br>(OPT L802-6K21<br>(V06725))<br>(OPT HL12VAZ6-21<br>(V56878))<br>(OPT HL1012AZ6-21<br>(V0PTK6))<br>(OPT HL1012AZ6-21<br>(V06725))<br>(OPT HL1012AZ6-21<br>(V06950))<br>(OPT HL1012AZ6-21<br>(V17446))<br>(OPT HL1012AZ6-21<br>(V56878))<br>(OPT HL1012AZ6-21<br>(V60516))<br>(OPT HL1012AZ6-21<br>(V73197)) | CH-CS<br>,DA-D<br>K,D<br>Z-EB,<br>EF-EH | 1            |

# 71-11-56

 ILLUSTRATED PARTS LIST  
 01.1 Page 1100V  
 Nov 01/04

 **BOEING**  
COMPONENT  
MAINTENANCE MANUAL

| FIG. & ITEM | PART NO.     | AIRLINE PART NUMBER | NOMENCLATURE<br>1234567  | EFF CODE   | QTY PER ASSY |
|-------------|--------------|---------------------|--|--|--------------|
| 18-808      | HL1012AZ6-21 |                     | .BOLT-<br>(V97928)<br>(SPEC BACB30NX6K21)<br>(OPT HL12VAZ6-21<br>(V73197))<br>(OPT HL12VAZ6-21<br>(V92215))<br>(OPT HL12VAZ6-21<br>(V97928))<br>(OPT L802-6K21<br>(V06725))<br>(OPT HL12VAZ6-21<br>(V56878))<br>(OPT HL1012AZ6-21<br>(V0PTK6))<br>(OPT HL1012AZ6-21<br>(V06725))<br>(OPT HL1012AZ6-21<br>(V06950))<br>(OPT HL1012AZ6-21<br>(V17446))<br>(OPT HL1012AZ6-21<br>(V56878))<br>(OPT HL1012AZ6-21<br>(V60516))<br>(OPT HL1012AZ6-21<br>(V73197)) | CH-CK<br>,CN,C<br>P,CS,<br>DA-DC<br>,DF<br>DG,DK | 1            |
| 809         | HL1087-6     |                     | .COLLAR-<br>(V73197)<br>(SPEC BACC30BH6)<br>(OPT HL1087-6<br>(V56878))<br>(OPT HL1087-6<br>(V92215))<br>(OPT HL1087-6<br>(V9N513))   | CH-CK<br>,CN,C<br>P,CS,<br>DA-DC<br>,DF<br>DG,DK | 1            |
| 810         | HL1087-6     |                     | .COLLAR-<br>(V73197)<br>(SPEC BACC30BH6)<br>(OPT HL1087-6<br>(V56878))<br>(OPT HL1087-6<br>(V92215))<br>(OPT HL1087-6<br>(V9N513))   | CH-CS<br>,DA-D<br>K,D<br>Z-EB,<br>EF-EH          | 4            |

71-11-56

| FIG. & ITEM | PART NO.      | AIRLINE PART NUMBER | NOMENCLATURE<br>1234567  | EFF CODE   | QTY PER ASSY |
|-------------|---------------|---------------------|--|--|--------------|
| 18-811      | HL1087-6      |                     | .COLLAR-<br>(V73197)<br>(SPEC BACC30BH6)<br>(OPT HL1087-6<br>(V56878))<br>(OPT HL1087-6<br>(V92215))<br>(OPT HL1087-6<br>(V9N513)) | CH-CK<br>,CN,C<br>P,CS,<br>DA-DC<br>,DF<br>DG,DK               | 1            |
| 813         | 315T4013-15   |                     | .FILLER  | CH-CS<br>,DA-D<br>K,D<br>Z-EB,<br>EF-EH                        | 2            |
| 816         | 2ASFPDPT06-19 |                     | .PIN-<br>(V17446)<br>(OPT ITEM 816A)   | CL,CM<br>,CQ,C<br>R,DD,<br>DE,DH<br>,DJ                        | 1            |
| -816A       | 2ASFPDPT06-18 |                     | .PIN-<br>(V17446)<br>(OPT ITEM 816)  | CL,CM<br>,CQ,C<br>R,DD,<br>DE,DH<br>,DJ                        | 1            |
| -816B       | 2ASFPDPT06-19 |                     | .PIN-<br>(V17446)  | DZ-EB<br>,EF-E<br>H  | 1            |
| 819         | 2ASFPDPT06-21 |                     | .PIN-<br>(V17446)  | CL,CM<br>,CQ,C<br>R,DD,<br>DE,DH<br>,DJ<br>DZ-EB<br>,EF-E<br>H | 1            |
| 822         | 2ASPPSDT06    |                     | .SLEEVE-<br>(V17446)   | CL,CM<br>,CQ,C<br>R,DD,<br>DE,DH<br>,DJ<br>DZ-EB<br>,EF-E<br>H | 2            |

# 71-11-56

 ILLUSTRATED PARTS LIST  
 01.1 Page 1100X  
 Nov 01/04

 **BOEING**  
COMPONENT  
MAINTENANCE MANUAL

| FIG. & ITEM | PART NO.                     | AIRLINE PART NUMBER | NOMENCLATURE<br>1234567                         | EFF CODE  | QTY PER ASSY |
|-------------|------------------------------|---------------------|---|---|--------------|
| 18-825      | ASPLC2AC06                   |                     | .COLLAR-<br>(V17446)                            | CL,CM<br>,CQ,C<br>R,DD,<br>DE,DH<br>,DJ<br>DZ-EB<br>,EF-E<br>H              | 2            |
| 827<br>827A | 2ASPPFD06-17<br>2ASPPFD06-17 |                     | DELETED<br>.PIN-<br>(V17446)<br>(OPT ITEM 827B) | CD,CE<br>,CL,C<br>M,CQ,<br>CR,CW<br>,CX<br>DE,DH<br>,DJ,D<br>L,DM,<br>DP,DQ | 1            |
| -827B       | 2ASPPFD06-18                 |                     | .PIN-<br>(V17446)<br>(OPT ITEM 827A)            | CD,CE<br>,CL,C<br>M,CQ,<br>CR,CW<br>,CX<br>DE,DH<br>,DJ,D<br>L,DM,<br>DP,DQ | 1            |
| -827C       | 2ASPPFD06-17                 |                     | .PIN-<br>(V17446)                               | DW-EH   | 1            |

71-11-56

ILLUSTRATED PARTS LIST  
01.1 Page 1100Y  
Nov 01/04



| FIG. & ITEM | PART NO.     | AIRLINE PART NUMBER | NOMENCLATURE<br>1234567              | EFF CODE   | QTY PER ASSY |
|-------------|--------------|---------------------|--------------------------------------|--|--------------|
| 18-828      | ASFPDPT06-19 |                     | .PIN-<br>(V17446)<br>(OPT ITEM 828A) | CD,CE<br>,CL,C<br>M,CQ,<br>CR,CW<br>,CX<br>DD,DE<br>,DH,D<br>J,DL,<br>DM,DP<br>,DQ   | 4            |
| -828A       | ASFPDPT06-18 |                     | .PIN-<br>(V17446)<br>(OPT ITEM 828)  | CD,CE<br>,CL,C<br>M,CQ,<br>CR,CW<br>,CX<br>DD,DE<br>,DH,D<br>J,DL,<br>DM,DP<br>,DQ   | 4            |
| -828B       | ASFPDPT06-19 |                     | .PIN-<br>(V17446)                    | DW-EH  | 4            |
| 829         | ASPFDDT06-19 |                     | .PIN-<br>(V17446)                    | CA-CC<br>,CF-C<br>K,CN,<br>CP,C<br>S-CV<br>CY-DC<br>,DF,D<br>G,DK,<br>DN,DR<br>DW-EH | 2            |

# 71-11-56

 ILLUSTRATED PARTS LIST  
 01.1 Page 1100Z  
 Nov 01/04

| FIG. & ITEM | PART NO.     | AIRLINE PART NUMBER | NOMENCLATURE<br>1234567              | EFF CODE   | QTY PER ASSY |
|-------------|--------------|---------------------|--------------------------------------|--|--------------|
| 18-830      | ASFPDPT06-19 |                     | .PIN-<br>(V17446)<br>(OPT ITEM 830A) | CD,CE<br>,CL,C<br>M,CQ,<br>CR,CW<br>,CX<br>DD,DE<br>,DH,D<br>J,DL,<br>DM,DP<br>,DQ   | 4            |
| -830A       | ASFPDPT06-18 |                     | .PIN-<br>(V17446)<br>(OPT ITEM 830)  | CD,CE<br>,CL,C<br>M,CQ,<br>CR,CW<br>,CX<br>DD,DE<br>,DH,D<br>J,DL,<br>DM,DP<br>,DQ   | 4            |
| 831         | 2ASPPSDT06   |                     | .SLEEVE-<br>(V17446)                 | CD,CE<br>,CL,C<br>M,CQ,<br>CR,CW<br>,CX<br>DD,DE<br>,DH,D<br>J,DL,<br>DM,DP<br>,DQ   | 5            |
| 832         | ASPFSDT06    |                     | .SLEEVE-<br>(V17446)                 | DW-EH<br>CA-CC<br>,CF-C<br>K,CN,<br>CP,C<br>S-CV<br>CY-DC<br>,DF,D<br>G,DK,<br>DN,DR | 2            |

71-11-56

ILLUSTRATED PARTS LIST  
01.1 Page 1101  
Nov 01/04

| FIG. & ITEM | PART NO.   | AIRLINE PART NUMBER | NOMENCLATURE<br>1234567 | EFF CODE  | QTY PER ASSY |
|-------------|------------|---------------------|-------------------------|---|--------------|
| 18-833      | 2ASPPSDT06 |                     | .SLEEVE-<br>(V17446)    | CD,CE<br>,CL,C<br>M,CQ,<br>CR,CW<br>,CX<br>DD,DE<br>,DH,D<br>J,DL,<br>DM,DP<br>,DQ<br>DW-EH | 4            |
| 834         | ASPLC2AC06 |                     | .COLLAR-<br>(V17446)    | CD,CE<br>,CL,C<br>M,CQ,<br>CR,CW<br>,CX<br>DD,DE<br>,DH,D<br>J,DL,<br>DM,DP<br>,DQ<br>DW-EH | 5            |
| 835         | ASPLC2AC06 |                     | .COLLAR-<br>(V17446)    | CA-CC<br>,CF-C<br>K,CN,<br>CP,C<br>S-CV<br>CY-DC<br>,DF,D<br>G,DK,<br>DN,DR                 | 2            |
| 836         | ASPLC2AC06 |                     | .COLLAR-<br>(V17446)    | CD,CE<br>,CL,C<br>M,CQ,<br>CR,CW<br>,CX<br>DD,DE<br>,DH,D<br>J,DL,<br>DM,DP<br>,DQ<br>DW-EH | 4            |

# 71-11-56

 ILLUSTRATED PARTS LIST  
 01.1 Page 1102  
 Nov 01/04

 **BOEING**  
COMPONENT  
MAINTENANCE MANUAL

| FIG. & ITEM | PART NO.     | AIRLINE PART NUMBER | NOMENCLATURE<br>1234567  | EFF CODE  | QTY PER ASSY |
|-------------|--------------|---------------------|--|---|--------------|
| 18-837      | HL11VAZ6-19  |                     | .BOLT-<br>(V60516)<br>(SPEC BACB30NW6K19)<br>(OPT B30NW6K19<br>(V97928))<br>(OPT HL11VAZ6-19<br>(V73197))<br>(OPT HL11VAZ6-19<br>(V92215))<br>(OPT HL11VAZ6-19<br>(V97928))<br>(OPT L803-6K19<br>(V06725))<br>(OPT HL11VAZ6-19<br>(V0PTK6))<br>(OPT HL11VAZ6-19<br>(V56878)) | CD,CE<br>,CL,C<br>M,CQ,<br>CR,CW<br>,CX<br>DD,DE<br>,DH,D<br>J,DL,<br>DM,DP<br>,DQ<br>DW-EH | 1            |
| 840         | HL79-6       |                     | .COLLAR-<br>(V5M902)<br>(SPEC BACC30M6)<br>(OPT HL79-6<br>(V73197))<br>(OPT HL79-6<br>(V92215))<br>(OPT 66014-6<br>(V56878))<br>(OPT HL79-6<br>(V56878))   | CD,CE<br>,CL,C<br>M,CQ,<br>CR,CW<br>,CX<br>DD,DE<br>,DH,D<br>J,DL,<br>DM,DP<br>,DQ<br>DW-EH | 1            |
| 843         | BACR15BB5AD  |                     | .RIVET-<br>(SIZE DETERMINE ON INST)  | CA-DR<br>,DW-E<br>H   | 2            |
| 846         | BACR15CE5D   |                     | DELETED  |   |              |
| 846A        | BACR15CE6D   |                     | .RIVET-<br>(SIZE DETERMINE ON INST)  | CA-DR<br>,DW-E<br>H   | 14           |
| 849         | BACB30MY6K21 |                     | .BOLT  | CA-DR<br>,DW-E<br>H   | 40           |
| 852         | BACB30MY6K5  |                     | .BOLT  | CA-DR<br>,DW-E<br>H   | 1            |

71-11-56

| FIG. & ITEM | PART NO.   | AIRLINE PART NUMBER | NOMENCLATURE<br>1234567  | EFF CODE           | QTY PER ASSY |
|-------------|------------|---------------------|--|--------------------|--------------|
| 18-855      | L8006K6    |                     | .BOLT-<br>(V06725)<br>(SPEC BACB30MY6K6)<br>(OPT L800-6-6<br>(V97928))   | CA-DR<br>DW-E<br>H | 3            |
| 858         | HL79-6     |                     | .COLLAR-<br>(V5M902)<br>(SPEC BACC30M6)<br>(OPT HL79-6<br>(V73197))<br>(OPT HL79-6<br>(V92215))<br>(OPT 66014-6<br>(V56878))<br>(OPT HL79-6<br>(V56878))   | CA-DR<br>DW-E<br>H | 44           |
| 861         | HL13VAZ6-5 |                     | .BOLT-<br>(V56878)<br>(SPEC BACB30NY6K5)<br>(OPT HL13VAZ6-5<br>(V73197))<br>(OPT HL13VAZ6-5<br>(V92215))<br>(OPT HL13VAZ6-5<br>(V97928))<br>(OPT L801-6K5<br>(V06725))<br>(OPT HL13VAZ6-5<br>(V08524))<br>(OPT HL13V5<br>(V06725))<br>(OPT HL13VAZ6-5<br>(V17446)) | CA-DR<br>DW-E<br>H | 2            |

# 71-11-56

 ILLUSTRATED PARTS LIST  
 01.1 Page 1102B  
 Nov 01/04

**BOEING**  
COMPONENT  
MAINTENANCE MANUAL

| FIG. & ITEM | PART NO.    | AIRLINE PART NUMBER | NOMENCLATURE<br>1234567  | EFF CODE  | QTY PER ASSY |
|-------------|-------------|---------------------|--|---|--------------|
| 18-864      | HL1187DU6   |                     | .COLLAR-<br>(V5M902)<br>(SPEC BACC30X6S)<br>(OPT HL87DU6<br>(V92215))<br>(OPT HL87DU6<br>(V73197))<br>(OPT HL1187DU6<br>(V56878))<br>(OPT HL1187DU6<br>(V92215))<br>(OPT HL87DU6<br>(V56878))<br>(OPT HL1187DU6<br>(V73197)) | CD,CE<br>,CL,C<br>M,CQ,<br>CR,CW<br>,CX<br>DD,DE<br>,DH,D<br>J,DL,<br>DM,DP<br>,DQ<br>DW-EH | 2            |
| -864A       | HL1087DU6   |                     | .COLLAR-<br>(V9N513)<br>(SPEC BACC30BH6S)<br>(OPT HL1087DU6<br>(V92215))<br>(OPT HL1087DU6<br>(V73197))<br>(OPT HL1087DU6<br>(V56878))   | CA-CC<br>,CF-C<br>K,C<br>N-CP,<br>CS-CV<br>CY-DC<br>,DF,D<br>G,DK,<br>DN,DR                 | 2            |
| 867         | 315T3105-1  |                     | .CLIP-TIE  | CA-DR<br>,DW-E<br>H   | 1            |
| 870         | 315T4006-11 |                     | .ANGLE-ATTACH  | CA-CG<br>,CT-C<br>Z,D<br>L-DR,<br>DW-DY<br>EC-EE  | 1            |
| -873        | 315T4006-12 |                     | .ANGLE-ATTACH  | CH-CS<br>,DA-D<br>K,D<br>Z-EB,<br>EF-EH   | 1            |
| 876         | 315T4006-7  |                     | .ANGLE-ATTACH  | CA-CG<br>,CT-C<br>Z,D<br>L-DR,<br>DW-DY<br>EC-EE  | 1            |

71-11-56

| FIG. & ITEM | PART NO.     | AIRLINE PART NUMBER | NOMENCLATURE<br>1234567  | EFF CODE                                | QTY PER ASSY |
|-------------|--------------|---------------------|--|---|--------------|
| 18-<br>-879 | 315T4006-8   |                     | .ANGLE-ATTACH  | CH-CS<br>,DA-D<br>K,D<br>Z-EB,<br>EF-EH | 1            |
| 882         | 315T4013-87  |                     | .BOLT-<br>(SELECT FROM)  | CA-DR<br>,DW-E<br>H                     | 3            |
| -882A       | 315T4013-55  |                     | .BOLT-<br>(SELECT FROM)  | CA-DR<br>,DW-E<br>H                     | 3            |
| -882B       | 315T4013-93  |                     | .BOLT-<br>(SELECT FROM)  | CA-DR<br>,DW-E<br>H                     | 3            |
| 885         | HST11AG10-14 |                     | .BOLT-<br>(V06725)<br>(SPEC BACB30VU10K14)<br>(OPT HST11AG10-14<br>(V73197))<br>(OPT HST11AG10-14<br>(VOPTK6))<br>(OPT HST11AG10-14<br>(V56878)) | CA-DR<br>,DW-E<br>H                     | 4            |
| 888         | MS21042L5    |                     | .NUT   | CA-DR<br>,DW-E<br>H                     | 7            |
| 891         | 315T4013-9   |                     | .SHIM  | CA-DR<br>,DW-E<br>H                     | 1            |

# 71-11-56

 ILLUSTRATED PARTS LIST  
 01.1 Page 1102D  
 Nov 01/04

 **BOEING**  
COMPONENT  
MAINTENANCE MANUAL

| FIG. & ITEM | PART NO.     | AIRLINE PART NUMBER | NOMENCLATURE<br>1234567  | EFF CODE   | QTY PER ASSY |
|-------------|--------------|---------------------|--|--|--------------|
| 18-894      | 332T4712-4   |                     | .SPACER  | CA-CG<br>,CT-C<br>Z,D<br>L-DR,<br>DW-DY<br>EC-EE | 1            |
| 897         | 332T4712-5   |                     | .SPACER  | CA-CG<br>,CT-C<br>Z,D<br>L-DR,<br>DW-DY<br>EC-EE | 1            |
| 900         | 315T4400-121 |                     | .BIFURCATION ASSY-LWR<br>(FOR DETAILS SEE FIG. 7)  | CA-CC<br>,CT-C<br>V                              | 1            |
| -903        | 315T4400-122 |                     | .BIFURCATION ASSY-LWR<br>(FOR DETAILS SEE FIG. 7)  | CH-CK<br>,DA-<br>DC                              | 1            |
| 906         | 315T3204-19  |                     | .RING ASSY-<br>(PRE SB 747-78A2165)<br>(PRE SB 767-78A0080)<br>(PRE SB 767-78A0089)<br>(FOR DETAILS SEE<br>FIG. 13)    | CA,CT  | 1            |
| -906A       | 315T3204-21  |                     | .RING ASSY-<br>(FOR DETAILS SEE<br>FIG. 13)  | CB,CC<br>,CU,C<br>V                              | 1            |
| -906B       | 315T3204-21  |                     | .RING ASSY-<br>(POST SB 747-78A2165)<br>(POST SB 767-78A0080)<br>(POST SB 767-78A0089)<br>(FOR DETAILS SEE<br>FIG. 13) | CA,CT  | 1            |

71-11-56

ILLUSTRATED PARTS LIST  
01.1 Page 1102E  
Nov 01/04



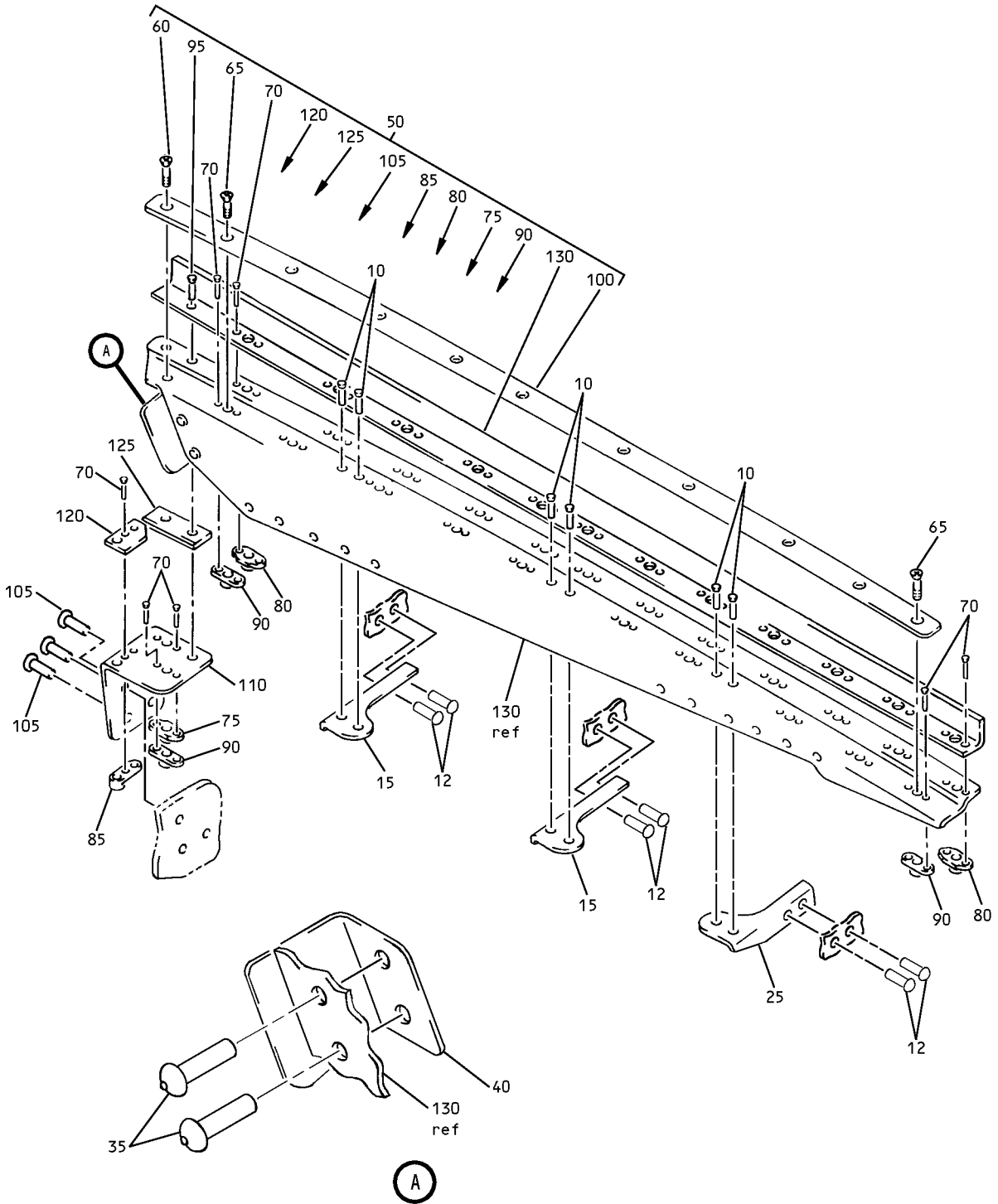
| FIG. & ITEM | PART NO.    | AIRLINE PART NUMBER | NOMENCLATURE<br>1234567  | EFF CODE            | QTY PER ASSY |
|-------------|-------------|---------------------|--|---------------------|--------------|
| 18-<br>-909 | 315T3204-20 |                     | .RING ASSY-<br>(PRE SB 747-78A2165)<br>(PRE SB 767-78A0080)<br>(PRE SB 767-78A0089)<br>(FOR DETAILS SEE<br>FIG. 13)                                | CH,DA               | 1            |
| -909A       | 315T3204-22 |                     | .RING ASSY-<br>(FOR DETAILS SEE<br>FIG. 13)  | CJ,CK<br>,DB,<br>DC | 1            |
| -909B       | 315T3204-22 |                     | .RING ASSY-<br>(POST SB 747-78A2165)<br>(POST SB 767-78A0080)<br>(POST SB 767-78A0089)<br>(FOR DETAILS SEE<br>FIG. 13)                             | CH,DA               | 1            |
| 912         | 315U4100-21 |                     | .WALL ASSY-INNER<br>(FOR DETAILS SEE<br>FIG. 20)   | CA-CC<br>,CT-C<br>V | 1            |
| -915        | 315U4100-22 |                     | .WALL ASSY-INNER<br>(FOR DETAILS SEE<br>FIG. 20)<br>* 1! THERE IS NO EQUIVALENT<br>PART NUMBER FOR THE PART<br>CHANGED BY THE SERVICE<br>BULLETIN. | CH-CK<br>,DA-<br>DC | 1            |

- Item Not Illustrated

\*[1] THERE IS NO EQUIVALENT PART NUMBER FOR THE PART CHANGED BY THE SERVICE BULLETIN.

# 71-11-56

 ILLUSTRATED PARTS LIST  
 01.1 Page 1102F  
 Nov 01/04



Upper Fairing Installation  
 Figure 19

**71-11-56**

ILLUSTRATED PARTS LIST  
 01.1 Page 1102H  
 Nov 01/04

 **BOEING**  
COMPONENT  
MAINTENANCE MANUAL

| FIG. & ITEM | PART NO.    | AIRLINE PART NUMBER | NOMENCLATURE<br>1234567                | EFF CODE                                | QTY PER ASSY |
|-------------|-------------|---------------------|--|---|--------------|
| 19-<br>-1A  | 315T3307-77 |                     | FAIRING INSTL-UPR<br>BIFURCATION TRACK | CA,CC<br>,CT,C<br>V                     | RF           |
| -5          | 315T3307-78 |                     | FAIRING INSTL-UPR<br>BIFURCATION TRACK | CH,CK<br>,DA,<br>DC                     | RF           |
| 10          | BACR15CE5KE |                     | .RIVET-<br>(SIZE DETERMINE ON INST)    | CA,CC<br>,CH,C<br>K,CT,<br>CV,DA<br>,DC | 6            |
| 12          | BACR15BB5AD |                     | .RIVET-<br>(SIZE DETERMINE ON INST)    | CA,CC<br>,CH,C<br>K,CT,<br>CV,DA<br>,DC | 6            |
| 15          | 315T3307-45 |                     | .ANGLE-SPRT                            | CA,CC<br>,CT,C<br>V                     | 2            |
| -20         | 315T3307-46 |                     | .ANGLE-SPRT                            | CH,CK<br>,DA,<br>DC                     | 2            |
| 25          | 315T3307-35 |                     | .ANGLE-SPRT                            | CA,CC<br>,CT,C<br>V                     | 1            |
| -30         | 315T3307-36 |                     | .ANGLE-SPRT                            | CH,CK<br>,DA,<br>DC                     | 1            |
| 35          | BACR15BB5AD |                     | .RIVET-<br>(SIZE DETERMINE ON INST)    | CA,CC<br>,CH,C<br>K,CT,<br>CV,DA<br>,DC | 2            |

**71-11-56**

ILLUSTRATED PARTS LIST  
01.1 Page 1102I  
Nov 01/04

| FIG. & ITEM | PART NO.    | AIRLINE PART NUMBER | NOMENCLATURE<br>1234567              | EFF CODE                                | QTY PER ASSY |
|-------------|-------------|---------------------|--------------------------------------|---|--------------|
| 19-40       | 315T3307-65 |                     | .ANGLE-SPRT                          | CA,CC<br>,CT,C<br>V                     | 1            |
| -45         | 315T3307-66 |                     | .ANGLE-SPRT                          | CH,CK<br>,DA,<br>DC                     | 1            |
| 50          | 315T3307-73 |                     | .FAIRING ASSY                        | CA,CC<br>,CT,C<br>V                     | 1            |
| -55         | 315T3307-74 |                     | .FAIRING ASSY                        | CH,CK<br>,DA,<br>DC                     | 1            |
| 60          | BACB30LR2-3 |                     | ..BOLT                               | CA,CC<br>,CH,C<br>K,CT,<br>CV,DA<br>,DC | 1            |
| 65          | BACB30LR2-2 |                     | ..BOLT-<br>(OPT ITEM 65A)            | CA,CC<br>,CH,C<br>K,CT,<br>CV,DA<br>,DC | 10           |
| -65A        | BACB30LH2-2 |                     | ..BOLT-<br>(OPT ITEM 65)             | CA,CC<br>,CH,C<br>K,CT,<br>CV,DA<br>,DC | 10           |
| 70          | BACR15BA3AD |                     | ..RIVET-<br>(SIZE DETERMINE ON INST) | CA,CC<br>,CH,C<br>K,CT,<br>CV,DA<br>,DC | 50           |

# 71-11-56

 ILLUSTRATED PARTS LIST  
 01.1 Page 1102J  
 Nov 01/04

**BOEING**  
COMPONENT  
MAINTENANCE MANUAL

| FIG. & ITEM | PART NO.       | AIRLINE PART NUMBER | NOMENCLATURE<br>1234567   | EFF CODE                                | QTY PER ASSY |
|-------------|----------------|---------------------|---|---|--------------|
| 19-75       | BR2000C3M      |                     | ..NUTPLATE-<br>(V52828)<br>(SPEC BACN10JR3CM)<br>(OPT K1001-3BAC<br>(V15653))<br>(OPT NS103202SE02<br>(V80539))<br>(OPT VN102D1-02<br>(V92215))<br>(OPT 109A9201-3<br>(V72962))<br>(OPT T8089C1032<br>(V11815)) | CA,CC<br>,CH,C<br>K,CT,<br>CV,DA<br>,DC | 1            |
| 80          | NS103191SE02-3 |                     | ..NUTPLATE-<br>(V80539)<br>(SPEC BACN10KE3B3CM)<br>(OPT F51747-3-3DL<br>(V15653))<br>(OPT 104F9213-3-3<br>(V72962))<br>(OPT BRFR220C3-3M<br>(V52828))   | CA,CC<br>,CH,C<br>K,CT,<br>CV,DA<br>,DC | 12           |
| 85          | BRF100C3D      |                     | ..NUTPLATE-<br>(V52828)<br>(SPEC BACN10KB3CFD)<br>(OPT NS202478-02<br>(V80539))<br>(OPT 102F9207P3<br>(V72962))<br>(OPT F51604-3<br>(V15653))   | CA,CC<br>,CH,C<br>K,CT,<br>CV,DA<br>,DC | 1            |

71-11-56

ILLUSTRATED PARTS LIST  
01.1 Page 1102K  
Nov 01/04

| FIG. & ITEM | PART NO.     | AIRLINE PART NUMBER | NOMENCLATURE<br>1234567   | EFF CODE                                | QTY PER ASSY |
|-------------|--------------|---------------------|---|---|--------------|
| 19-90       | 109F9201M82  |                     | ..NUTPLATE-<br>(V72962)<br>(SPEC BACN10JN08CM)<br>(OPT BRFM20C08M<br>(V52828))<br>(OPT MF1001-08BAC<br>(V15653))<br>(OPT NS103218SE82<br>(V80539))<br>(OPT VN252D82<br>(V92215))<br>(OPT MF53050-08DL<br>(V15653))<br>(OPT T8125C08C<br>(V11815)) | CA,CC<br>,CH,C<br>K,CT,<br>CV,DA<br>,DC | 11           |
| 95          | BACR15CE5KE  |                     | ..RIVET-<br>(SIZE DETERMINE ON INST)  | CA,CC<br>,CH,C<br>K,CT,<br>CV,DA<br>,DC | 1            |
| 100         | 315T3307-38  |                     | ..STRIP-RUB   | CA,CC<br>,CH,C<br>K,CT,<br>CV,DA<br>,DC | 1            |
| 105         | BACR15FP5MP5 |                     | ..RIVET-<br>(OPT ITEM 105A)   | CA,CC<br>,CH,C<br>K,CT,<br>CV,DA<br>,DC | 3            |
| -105A       | NAS1399CW5-5 |                     | ..RIVET-<br>(OPT ITEM 105)  | CA,CC<br>,CH,C<br>K,CT,<br>CV,DA<br>,DC | 3            |

# 71-11-56

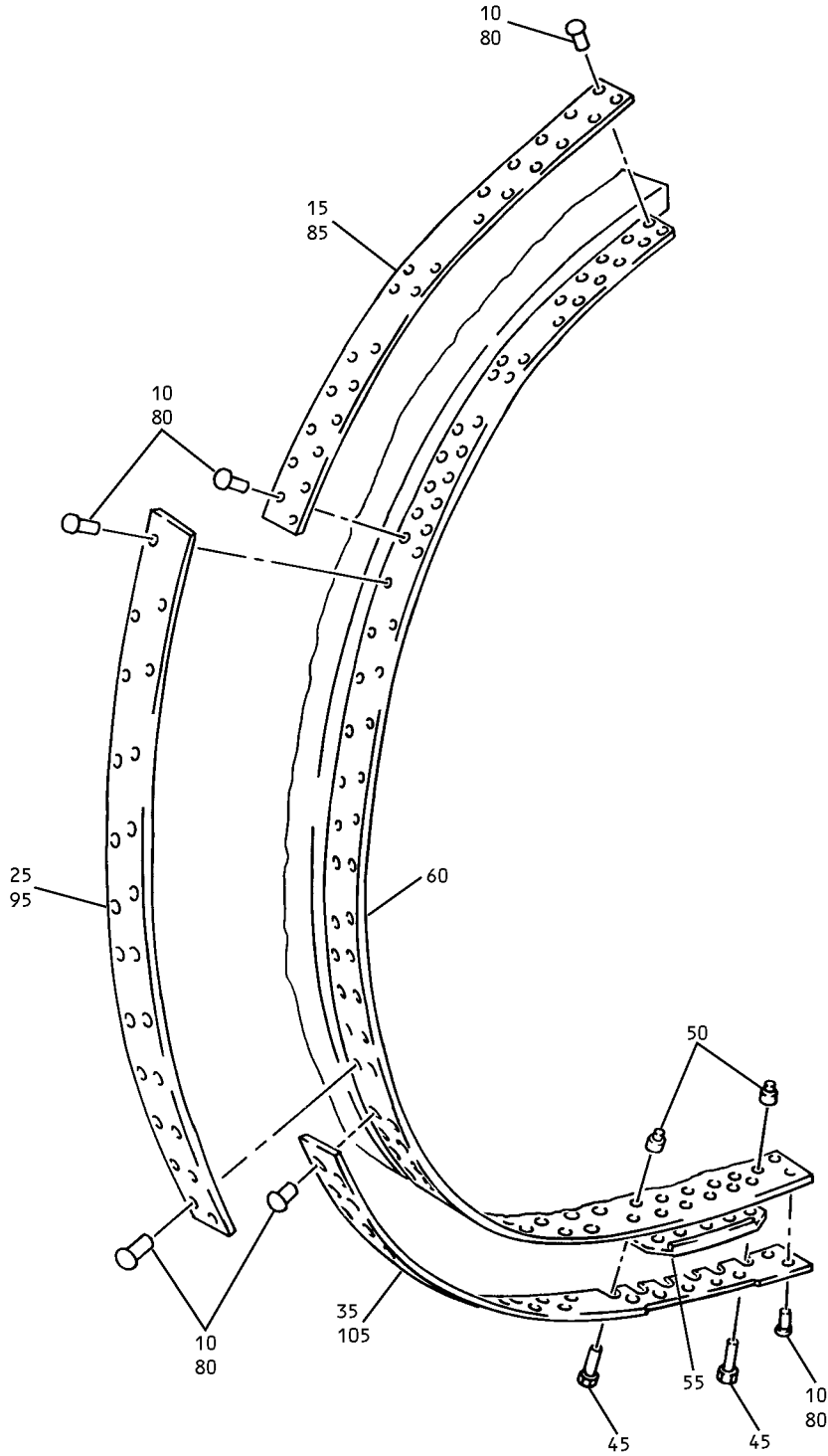
 ILLUSTRATED PARTS LIST  
 01.1 Page 1102L  
 Nov 01/04

| FIG. & ITEM | PART NO.        | AIRLINE PART NUMBER | NOMENCLATURE<br>1234567 | EFF CODE                                | QTY PER ASSY |
|-------------|-----------------|---------------------|-------------------------|---|--------------|
| 19-110      | 315T3307-69     |                     | ..ANGLE-TIE             | CA,CC<br>,CT,C<br>V                     | 1            |
| -115        | 315T3307-70     |                     | ..ANGLE-TIE             | CH,CK<br>,DA,<br>DC                     | 1            |
| 120         | BACS40R007D011F |                     | ..SHIM                  | CA,CC<br>,CH,C<br>K,CT,<br>CV,DA<br>,DC | 1            |
| 125         | 315T3307-37     |                     | ..FILLER                | CA,CC<br>,CH,C<br>K,CT,<br>CV,DA<br>,DC | 1            |
| 130         | 315T3307-75     |                     | ..FAIRING               | CA,CC<br>,CT,C<br>V                     | 1            |
| -135        | 315T3307-76     |                     | ..FAIRING               | CH,CK<br>,DA,<br>DC                     | 1            |

- Item Not Illustrated

**71-11-56**

ILLUSTRATED PARTS LIST  
01.1 Page 1102M  
Nov 01/04



Inner Wall Assembly  
Figure 20

**71-11-56**

ILLUSTRATED PARTS LIST  
01.1 Page 1102N  
Nov 01/04





**BOEING**  
COMPONENT  
MAINTENANCE MANUAL

| FIG. & ITEM | PART NO.    | AIRLINE PART NUMBER | NOMENCLATURE<br>1234567   | EFF CODE            | QTY PER ASSY |
|-------------|-------------|---------------------|---|---------------------|--------------|
| 20-<br>-1A  | 315U4100-21 |                     | WALL ASSY-INNER   | CA-CC<br>,CT-C<br>V | RF           |
| -1B         | 315U4100-23 |                     | WALL ASSY-INNER<br>(NHA 315T4295, REF<br>COLLECTOR CMM 78-31-47)<br>(NHA 315U4295, REF<br>COLLECTOR CMM 78-31-48) | DS,DT               | RF           |
| -1C         | 315U4100-27 |                     | WALL ASSY-INNER<br>(NHA 315U4295, REF<br>COLLECTOR CMM 78-31-48)  | DT                  | RF           |
| -1D         | 315U4100-29 |                     | WALL ASSY-INNER<br>(NHA 315U4295, REF<br>COLLECTOR CMM 78-31-48)  | DT                  | RF           |
| -1E         | 315U4100-31 |                     | WALL ASSY-INNER<br>(NHA 315U4295, REF<br>COLLECTOR CMM 78-31-48)  | DT                  | RF           |
| -1F         | 315U4100-33 |                     | WALL ASSY-INNER<br>(NHA 315U4295, REF<br>COLLECTOR CMM 78-31-48)  | DT                  | RF           |
| -1G         | 315U4100-35 |                     | WALL ASSY-INNER<br>(NHA 315T4295, REF<br>COLLECTOR CMM 78-31-47)  | DS                  | RF           |
| -1H         | 315U4100-37 |                     | WALL ASSY-INNER<br>(NHA 315T4295, REF<br>COLLECTOR CMM 78-31-47)  | DS                  | RF           |
| -5          | 315U4100-22 |                     | WALL ASSY-INNER   | CH-CK<br>,DA-<br>DC | RF           |
| -5A         | 315U4100-24 |                     | WALL ASSY-INNER<br>(NHA 315T4295, REF<br>COLLECTOR CMM 78-31-47)<br>(NHA 315U4295, REF<br>COLLECTOR CMM 78-31-48) | DU,DV               | RF           |
| -5B         | 315U4100-28 |                     | WALL ASSY-INNER<br>(NHA 315U4295, REF<br>COLLECTOR CMM 78-31-48)  | DV                  | RF           |
| -5C         | 315U4100-30 |                     | WALL ASSY-INNER<br>(NHA 315U4295, REF<br>COLLECTOR CMM 78-31-48)  | DV                  | RF           |
| -5D         | 315U4100-32 |                     | WALL ASSY-INNER<br>(NHA 315U4295, REF<br>COLLECTOR CMM 78-31-48)  | DV                  | RF           |

**71-11-56**

ILLUSTRATED PARTS LIST  
01.1 Page 11020  
Nov 01/04

| FIG. & ITEM | PART NO.    | AIRLINE PART NUMBER | NOMENCLATURE<br>1234567  | EFF CODE                                | QTY PER ASSY |
|-------------|-------------|---------------------|--|---|--------------|
| 20-<br>-5E  | 315U4100-34 |                     | WALL ASSY-INNER<br>(NHA 315U4295, REF<br>COLLECTOR CMM 78-31-48) | DV                                      | RF           |
| -5F         | 315U4100-36 |                     | WALL ASSY-INNER<br>(NHA 315U4295, REF<br>COLLECTOR CMM 78-31-48) | DU                                      | RF           |
| -5G         | 315U4100-38 |                     | WALL ASSY-INNER<br>(NHA 315U4295, REF<br>COLLECTOR CMM 78-31-48) | DU                                      | RF           |
| 10          | BACR15CE4D  |                     | .RIVET-<br>(SIZE DETERMINE ON INST)                              | CA-CC<br>,CH-C<br>K,C<br>T-CV,<br>DA-DC | 91           |
| 15          | 315T4100-3  |                     | .STRIP-RUB   | CA-CC<br>,CT-C<br>V                     | 1            |
| -20         | 315T4100-4  |                     | .STRIP-RUB   | CH-CK<br>,DA-<br>DC                     | 1            |
| 25          | 315T4100-5  |                     | .STRIP-RUB   | CA-CC<br>,CT-C<br>V                     | 1            |
| -30         | 315T4100-9  |                     | .STRIP-RUB   | CH-CK<br>,DA-<br>DC                     | 1            |
| 35          | 315T4100-11 |                     | .STRIP-RUB   | CA-CC<br>,CT-C<br>V                     | 1            |
| -40         | 315T4100-12 |                     | .STRIP-RUB   | CH-CK<br>,DA-<br>DC                     | 1            |

# 71-11-56

 ILLUSTRATED PARTS LIST  
 01.1 Page 1102P  
 Nov 01/04

 **BOEING**  
COMPONENT  
MAINTENANCE MANUAL

| FIG. & ITEM | PART NO.   | AIRLINE PART NUMBER | NOMENCLATURE<br>1234567  | EFF CODE   | QTY PER ASSY |
|-------------|------------|---------------------|--|--|--------------|
| 20-45       | HL11VAZ6-4 |                     | .BOLT-<br>(V60516)<br>(SPEC BACB30NW6K4)<br>(OPT HL11V6-4<br>(V92215))<br>(OPT HL11V6-4<br>(V97928))<br>(OPT L803-6-4<br>(V06725))<br>(OPT B30NW6K4<br>(V97928))<br>(OPT HL11VAZ6-4<br>(V73197))<br>(OPT HL11VAZ6-4<br>(V92215))<br>(OPT HL11VAZ6-4<br>(V56878)) | CA-CC<br>,CH-C<br>K,C<br>T-CV,<br>DA-DC<br>DS-DV | 6            |
| 50          | HL79-6     |                     | .COLLAR-<br>(V5M902)<br>(SPEC BACC30M6)<br>(OPT HL79-6<br>(V73197))<br>(OPT HL79-6<br>(V92215))<br>(OPT 66014-6<br>(V56878))<br>(OPT HL79-6<br>(V56878))   | CA-CC<br>,CH-C<br>K,C<br>T-CV,<br>DA-DC<br>DS-DV | 6            |
| 55          | 315T3554-2 |                     | .CATCH-COWL  | CA-CC<br>,CH-C<br>K,C<br>T-CV,<br>DA-DC<br>DS-DV | 1            |

71-11-56

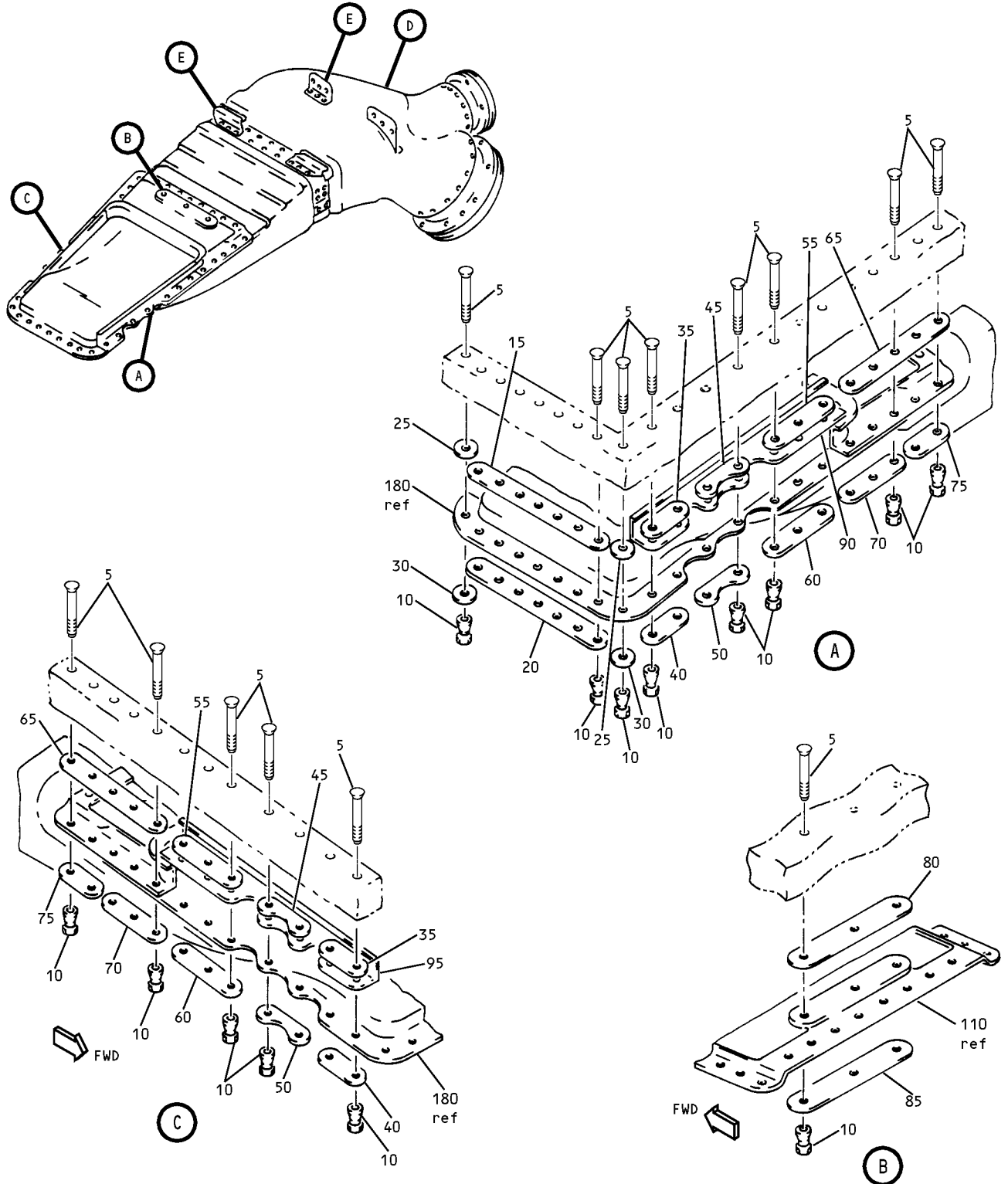
ILLUSTRATED PARTS LIST  
01.1 Page 1102Q  
Nov 01/04

| FIG. & ITEM | PART NO.     | AIRLINE PART NUMBER | NOMENCLATURE<br>1234567              | EFF CODE                      | QTY PER ASSY |
|-------------|--------------|---------------------|--------------------------------------|-------------------------------|--------------|
| 20-60       | 315U4101-117 |                     | .PANEL ASSY-ACOUSTIC                 | CA-CC<br>,CT-C<br>V,DS,<br>DT | 1            |
| -65         | 315U4101-118 |                     | .PANEL ASSY-ACOUSTIC                 | CH-CK<br>,DA-<br>DC,DU<br>,DV | 1            |
| -70         | 315U4100-25  |                     | .FRAME ASSY                          | DS,DT                         | 1            |
| -75         | 315U4100-26  |                     | .FRAME ASSY                          | DU,DV                         | 1            |
| 80          | BACR15CE4D   |                     | ..RIVET-<br>(SIZE DETERMINE ON INST) | DS-DV                         | 91           |
| 85          | 315T4100-3   |                     | ..STRIP-RUB                          | DS,DT                         | 1            |
| -90         | 315T4100-4   |                     | ..STRIP-RUB                          | DU,DV                         | 1            |
| 95          | 315T4100-5   |                     | ..STRIP-RUB                          | DS,DT                         | 1            |
| -100        | 315T4100-9   |                     | ..STRIP-RUB                          | DU,DV                         | 1            |
| 105         | 315T4100-11  |                     | ..STRIP-RUB                          | DS,DT                         | 1            |
| -110        | 315T4100-12  |                     | ..STRIP-RUB                          | DU,DV                         | 1            |

- Item Not Illustrated

# 71-11-56

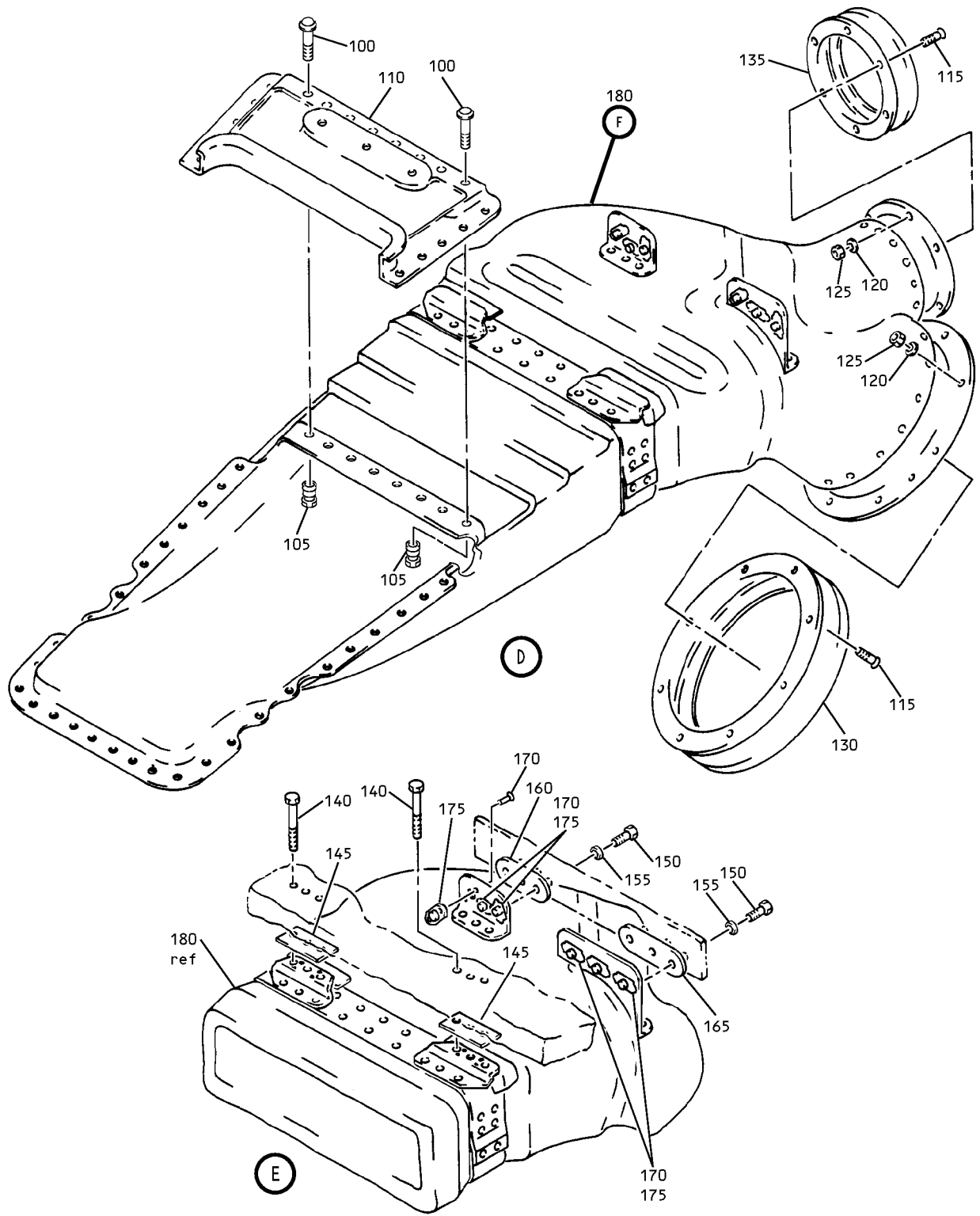
 ILLUSTRATED PARTS LIST  
 01.1 Page 1102R  
 Nov 01/04



Inlet Precooler Duct Installation  
Figure 21 (Sheet 1)

**71-11-56**

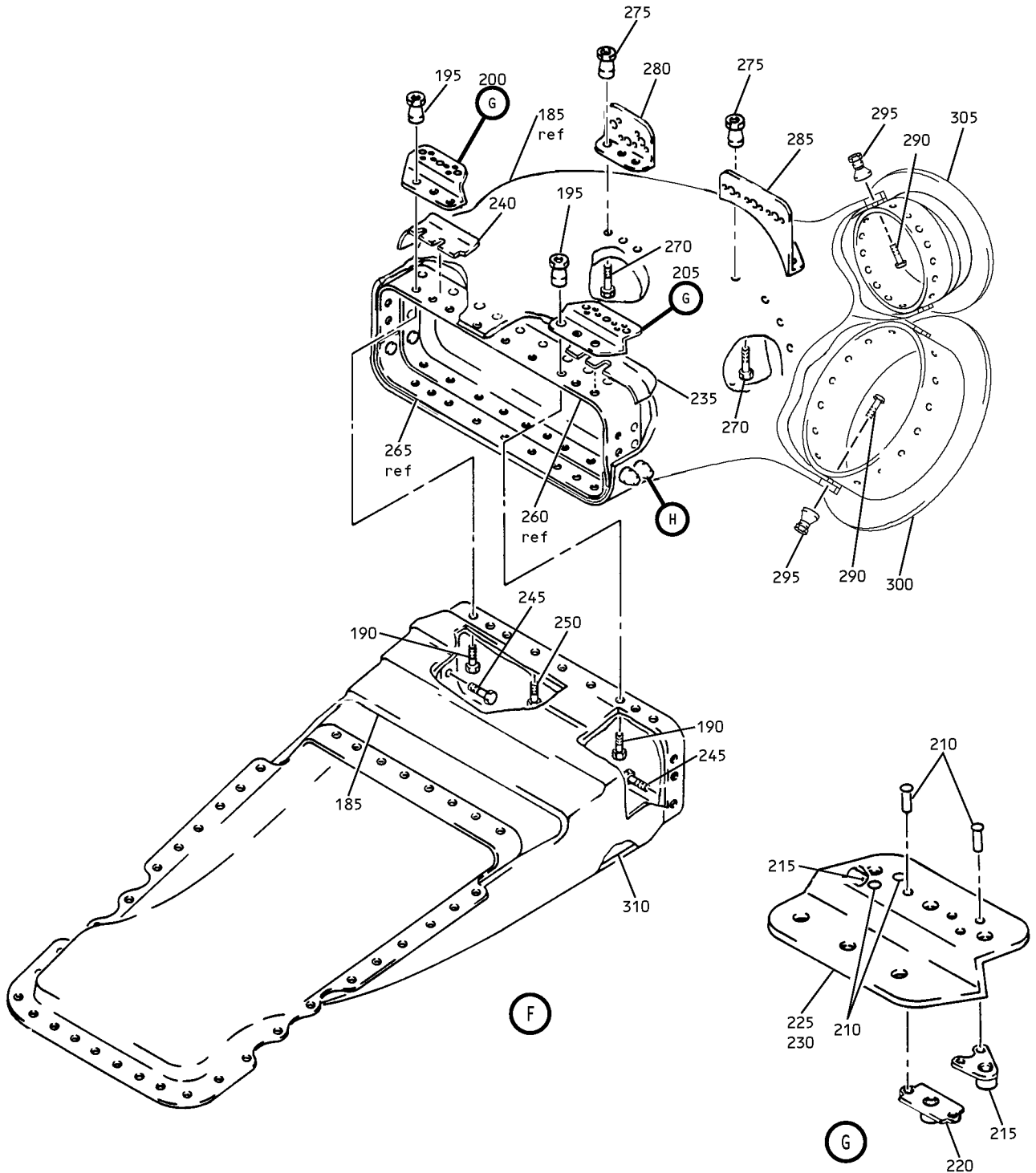
ILLUSTRATED PARTS LIST  
01.1 Page 1102S  
Nov 01/04



Inlet Precooler Duct Installation  
 Figure 21 (Sheet 2)

**71-11-56**

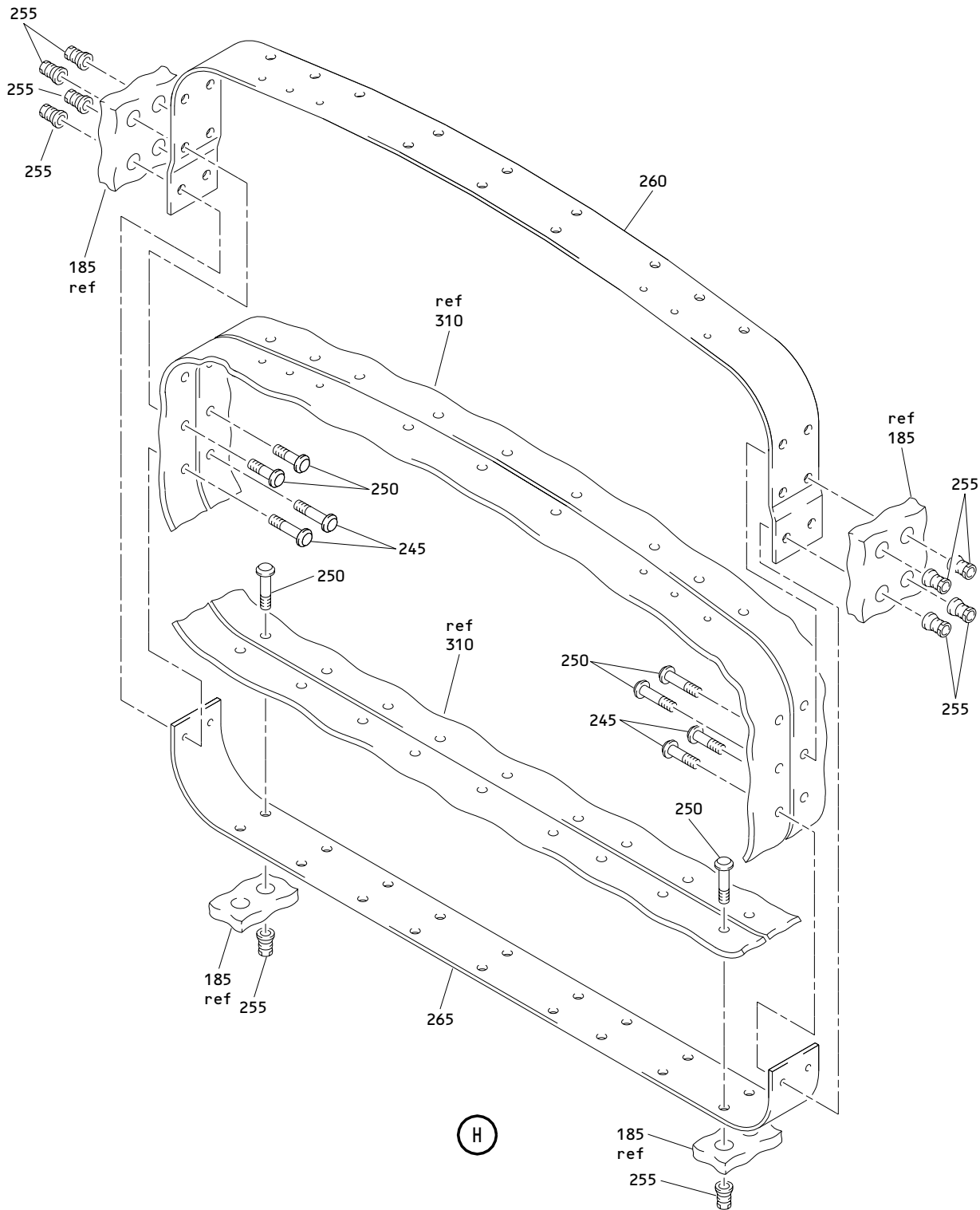
ILLUSTRATED PARTS LIST  
 01.1 Page 1102T  
 Nov 01/04



Inlet Precooler Duct Installation  
Figure 21 (Sheet 3)

**71-11-56**

ILLUSTRATED PARTS LIST  
01.1 Page 1102U  
Nov 01/04



Inlet Precooler Duct Installation  
Figure 21 (Sheet 4)

**71-11-56**

ILLUSTRATED PARTS LIST  
01.1 Page 1102V  
Nov 01/04



 **BOEING**  
COMPONENT  
MAINTENANCE MANUAL

| FIG. & ITEM | PART NO.    | AIRLINE PART NUMBER | NOMENCLATURE<br>1234567  | EFF CODE | QTY PER ASSY |
|-------------|-------------|---------------------|--|----------|--------------|
| 21-<br>-1A  | 315T3126-45 |                     | DUCT INSTL-INLET PRECOOLER<br>(NHA 315T4295, REF<br>COLLECTOR CMM 78-31-47)<br>(NHA 315U4295, REF<br>COLLECTOR CMM 78-31-48)   | DU,DV    | RF           |
| -1B         | 315T3126-46 |                     | DUCT INSTL-INLET PRECOOLER<br>(NHA 315U4295, REF<br>COLLECTOR CMM 78-31-48)  | DV       | RF           |
| -1C         | 315T3126-48 |                     | DUCT INSTL-INLET PRECOOLER<br>(NHA 315U4295, REF<br>COLLECTOR CMM 78-31-48)  | DV       | RF           |
| -1D         | 315T3126-50 |                     | DUCT INSTL-INLET PRECOOLER<br>(NHA 315U4295, REF<br>COLLECTOR CMM 78-31-48)  | DV       | RF           |
| -1E         | 315T3126-52 |                     | DUCT INSTL-INLET PRECOOLER<br>(NHA 315U4295, REF<br>COLLECTOR CMM 78-31-48)  | DV       | RF           |
| -1F         | 315T3126-54 |                     | DUCT INSTL-INLET PRECOOLER<br>(NHA 315T4295, REF<br>COLLECTOR CMM 78-31-47)  | DU       | RF           |
| -1G         | 315T3126-56 |                     | DUCT INSTL-INLET PRECOOLER<br>(NHA 315T4295, REF<br>COLLECTOR CMM 78-31-47)  | DU       | RF           |
| 5           | HL11VAZ6-20 |                     | .BOLT-<br>(V60516)<br>(SPEC BACB30NW6K20)<br>(OPT B30NW6K20<br>(V97928))<br>(OPT HL11VAZ6-20<br>(V73197))<br>(OPT HL11VAZ6-20<br>(V92215))<br>(OPT HL11VAZ6-20<br>(V97928))<br>(OPT L803-6K20<br>(V06725))<br>(OPT HL11VAZ6-20<br>(V0PTK6))<br>(OPT HL11VAZ6-20<br>(V56878)) | DU,DV    | 36           |

71-11-56

ILLUSTRATED PARTS LIST  
01.1 Page 1102W  
Nov 01/04

| FIG. & ITEM | PART NO.    | AIRLINE PART NUMBER | NOMENCLATURE<br>1234567  | EFF CODE | QTY PER ASSY |
|-------------|-------------|---------------------|--|----------|--------------|
| 21-10       | HL79-6      |                     | .COLLAR-<br>(V5M902)<br>(SPEC BACC30M6)<br>(OPT HL79-6<br>(V73197))<br>(OPT HL79-6<br>(V92215))<br>(OPT 66014-6<br>(V56878))<br>(OPT HL79-6<br>(V56878)) | DU,DV    | 36           |
| 15          | 315T3126-39 |                     | .SHIM  | DU,DV    | 1            |
| 20          | 315T3126-8  |                     | .STRIP-BACKING   | DU,DV    | 1            |
| 25          | 315T3126-10 |                     | .SHIM  | DU,DV    | 2            |
| 30          | 315T3126-20 |                     | .STRIP-BACKING   | DU,DV    | 2            |
| 35          | 315T3126-3  |                     | .SHIM  | DU,DV    | 2            |
| 40          | 315T3126-4  |                     | .STRIP-BACKING   | DU,DV    | 2            |
| 45          | 315T3126-5  |                     | .SHIM  | DU,DV    | 2            |
| 50          | 315T3126-6  |                     | .STRIP-BACKING   | DU,DV    | 2            |
| 55          | 315T3126-15 |                     | .SHIM  | DU,DV    | 2            |
| 60          | 315T3126-16 |                     | .STRIP-BACKING   | DU,DV    | 2            |
| 65          | 315T3126-17 |                     | .SHIM  | DU,DV    | 2            |
| 70          | 315T3126-18 |                     | .STRIP-BACKING   | DU,DV    | 2            |
| 75          | 315T3126-19 |                     | .STRIP-BACKING   | DU,DV    | 2            |
| 80          | 315T3126-9  |                     | .SHIM  | DU,DV    | 1            |
| 85          | 315T3126-21 |                     | .STRIP-BACKING   | DU,DV    | 1            |
| 90          | 315T3137-5  |                     | .MOLDING-INLET   | DU,DV    | 1            |
| 95          | 315T3137-6  |                     | .MOLDING-INLET   | DU,DV    | 1            |
| 100         | HST10AG5-2  |                     | .BOLT-<br>(VOPTK6)<br>(SPEC BACB30VT5K2)<br>(OPT HST10AG5-2<br>(V06725))<br>(OPT HST10AG5-2<br>(V56878))<br>(OPT HST10AG5-2<br>(V73197))                 | DU,DV    | 8            |

# 71-11-56

 ILLUSTRATED PARTS LIST  
 01.1 Page 1102X  
 Nov 01/04

 **BOEING**  
COMPONENT  
MAINTENANCE MANUAL

| FIG. & ITEM | PART NO.     | AIRLINE PART NUMBER | NOMENCLATURE<br>1234567  | EFF CODE | QTY PER ASSY |
|-------------|--------------|---------------------|--|----------|--------------|
| 21-105      | HST79CY5     |                     | .COLLAR-<br>(V73197)<br>(SPEC BACC30BL5)<br>(OPT HST79-5<br>(V92215))<br>(OPT HST79CY5<br>(V56878))<br>(OPT HST79CY5<br>(V5M902))  | DU,DV    | 8            |
| 110         | 315T3136-6   |                     | .BOND ASSY-LIP   | DU,DV    | 1            |
| 115         | BACB30LH3U3  |                     | .BOLT  | DU,DV    | 14           |
| 120         | AN960C10L    |                     | .WASHER  | DU,DV    | 14           |
| 125         | BRH10C3      |                     | .NUT-<br>(V52828)<br>(SPEC BACN10JC3C)<br>(OPT T6C1032J<br>(V11815))<br>(OPT 97-02<br>(V80539))<br>(OPT 101LH9075-3W<br>(V72962))<br>(OPT VN303B02<br>(V92215))<br>(OPT NS202101S02<br>(V80539))<br>(OPT H31-3BAC<br>(V15653)) | DU,DV    | 14           |
| 130         | BOE2048-0504 |                     | .SEAL-<br>(V16632)<br>(SPEC 60B89012-504)<br>(OPT 88B10201-504<br>(V60980))<br>(OPT 96D10458-504<br>(V60980))  | DU,DV    | 1            |

71-11-56

ILLUSTRATED PARTS LIST  
01.1 Page 1102Y  
Nov 01/04

| FIG. & ITEM | PART NO.        | AIRLINE PART NUMBER | NOMENCLATURE<br>1234567   | EFF CODE | QTY PER ASSY |
|-------------|-----------------|---------------------|---|----------|--------------|
| 21-135      | BOE2048-0505    |                     | .SEAL-<br>(V16632)<br>(SPEC 60B89012-505)<br>(OPT 88B10201-505<br>(V60980))<br>(OPT 96D10458-505<br>(V60980))   | DU,DV    | 1            |
| 140         | BACB30VF3K19    |                     | .BOLT   | DU,DV    | 6            |
| 145         | BACS40R011E037F |                     | .SHIM   | DU,DV    | 2            |
| 150         | NAS6703-4       |                     | .BOLT   | DU,DV    | 6            |
| 155         | AN960XC10LL     |                     | .WASHER   | DU,DV    | 6            |
| 160         | BACS40R009D031F |                     | .SHIM   | DU,DV    | AR           |
| 165         | BACS40R009D041F |                     | .SHIM   | DU,DV    | AR           |
| 170         | BACR15CE3D      |                     | .RIVET-<br>(SIZE DETERMINE ON INST)   | DU,DV    | 12           |
| 175         | BRF200C3D       |                     | .NUTPLATE-<br>(V52828)<br>(SPEC BACN10JR3CFD)<br>(OPT K51602-3BAC<br>(V15653))<br>(OPT NS202476-02<br>(V80539))<br>(OPT 102F9201-3<br>(V72962))<br>(OPT T8092C1032CD<br>(V11815)) | DU,DV    | 6            |
| 180         | 315T3125-54     |                     | .DUCT ASSY-INLET<br>(OPT ITEM 180B)<br>(FOR DETAILS SEE<br>FIG. 15)   | DU,DV    | 1            |
| -180A       | 315T3125-64     |                     | DELETED   |          |              |
| -180B       | 315T3125-68     |                     | .DUCT ASSY-INLET<br>(OPT ITEM 180)  | DU,DV    | 1            |

# 71-11-56

 ILLUSTRATED PARTS LIST  
 01.1 Page 1102Z  
 Nov 01/04

 **BOEING**  
COMPONENT  
MAINTENANCE MANUAL

| FIG. & ITEM       | PART NO.                   | AIRLINE PART NUMBER | NOMENCLATURE<br>1234567  | EFF CODE       | QTY PER ASSY |
|-------------------|----------------------------|---------------------|--|----------------|--------------|
| 21-<br>185<br>190 | 315T3125-46<br>HL1012AZ5-4 |                     | ..BLANKET ASSY<br>..BOLT-<br>(V97928)<br>(SPEC BACB30NX5K4)<br>(OPT HL12VAZ5-4<br>(V73197))<br>(OPT HL12VAZ5-4<br>(V92215))<br>(OPT HL12VAZ5-4<br>(V97928))<br>(OPT L802-5K4<br>(V06725))<br>(OPT HL12VAZ5-4<br>(V56878))<br>(OPT HL1012AZ5-4<br>(V0PTK6))<br>(OPT HL1012AZ5-4<br>(V06725))<br>(OPT HL1012AZ5-4<br>(V06950))<br>(OPT HL1012AZ5-4<br>(V17446))<br>(OPT HL1012AZ5-4<br>(V56878))<br>(OPT HL1012AZ5-4<br>(V60516))<br>(OPT HL1012AZ5-4<br>(V73197)) | DU,DV<br>DU,DV | 1<br>6       |

**71-11-56**

ILLUSTRATED PARTS LIST  
01.1 Page 1103  
Nov 01/04

| FIG. & ITEM | PART NO.     | AIRLINE PART NUMBER | NOMENCLATURE<br>1234567   | EFF CODE | QTY PER ASSY |
|-------------|--------------|---------------------|---|----------|--------------|
| 21-195      | HL1187-5     |                     | ..COLLAR-<br>(V5M902)<br>(SPEC BACC30X5)<br>(OPT HL87-5<br>(V92215))<br>(OPT HL86PB5<br>(V73197))<br>(OPT HL86PB5<br>(V92215))<br>(OPT HL87-5<br>(V73197))<br>(OPT HL86PB5<br>(V56878))<br>(OPT HL1187-5<br>(V56878))<br>(OPT HL1187-5<br>(V92215))<br>(OPT HL87-5<br>(V56878))<br>(OPT HL1187-5<br>(V73197)) | DU,DV    | 6            |
| 200         | 315T3239-10  |                     | ..BRACKET ASSY  | DU,DV    | 1            |
| 205         | 315T3239-11  |                     | ..BRACKET ASSY  | DU,DV    | 1            |
| 210         | BACR15CE3M   |                     | ...RIVET-<br>(SIZE DETERMINE ON INST)   | DU,DV    | 6            |
| 215         | NS103193SE02 |                     | ...NUTPLATE-<br>(V80539)<br>(SPEC BACN10KE3DCM)<br>(OPT F51753-3DL<br>(V15653))   | DU,DV    | 2            |
| 220         | BRF200C3M    |                     | ...NUTPLATE-<br>(V52828)<br>(SPEC BACN10JR3CFM)<br>(OPT F5001-3BAC<br>(V15653))<br>(OPT NS103203SE02<br>(V80539))<br>(OPT VN152D1-02<br>(V92215))<br>(OPT 109F9201-3<br>(V72962))<br>(OPT T8092C1032<br>(V11815))   | DU,DV    | 1            |
| 225         | 315T3239-12  |                     | ...BRACKET-<br>(USED ON ITEM 200)   | DU,DV    | 1            |

# 71-11-56

 **BOEING**  
COMPONENT  
MAINTENANCE MANUAL

| FIG. & ITEM | PART NO.    | AIRLINE PART NUMBER | NOMENCLATURE<br>1234567   | EFF CODE | QTY PER ASSY |
|-------------|-------------|---------------------|---|----------|--------------|
| 21-<br>230  | 315T3239-13 |                     | ...BRACKET-<br>(USED ON ITEM 205)   | DU,DV    | 1            |
| 235         | 315T3125-24 |                     | ..INSERT-BLANKET  | DU,DV    | 1            |
| 240         | 315T3125-25 |                     | ..INSERT-BLANKET  | DU,DV    | 1            |
| 245         | BACB30MY5K4 |                     | ..BOLT  | DU,DV    | 4            |
| 250         | BACB30MY5K3 |                     | ..BOLT  | DU,DV    | 38           |
| 255         | HL70-5      |                     | ..COLLAR-<br>(V5M902)<br>(SPEC BACC30M5)<br>(OPT HL70-5<br>(V73197))<br>(OPT HL70-5<br>(V92215))<br>(OPT 66014-5<br>(V56878))<br>(OPT HL70-5<br>(V56878)) | DU,DV    | 42           |
| 260         | 315T3239-9  |                     | ..STRAP   | DU,DV    | 1            |
| 265         | 315T3239-2  |                     | ..STRAP   | DU,DV    | 1            |

**71-11-56**

ILLUSTRATED PARTS LIST  
01.1 Page 1104A  
Nov 01/04

| FIG. & ITEM | PART NO.    | AIRLINE PART NUMBER | NOMENCLATURE<br>1234567  | EFF CODE | QTY PER ASSY |
|-------------|-------------|---------------------|--|----------|--------------|
| 21-270      | HL1012AZ6-3 |                     | ..BOLT-<br>(V97928)<br>(SPEC BACB30NX6K3)<br>(OPT HL12VAZ6-3<br>(V73197))<br>(OPT HL12VAZ6-3<br>(V92215))<br>(OPT HL12VAZ6-3<br>(V97928))<br>(OPT L802-6K3<br>(V06725))<br>(OPT HL12VAZ6-3<br>(V56878))<br>(OPT HL1012AZ6-3<br>(V0PTK6))<br>(OPT HL1012AZ6-3<br>(V06725))<br>(OPT HL1012AZ6-3<br>(V06950))<br>(OPT HL1012AZ6-3<br>(V17446))<br>(OPT HL1012AZ6-3<br>(V56878))<br>(OPT HL1012AZ6-3<br>(V60516))<br>(OPT HL1012AZ6-3<br>(V73197)) | DU,DV    | 7            |

# 71-11-56

 ILLUSTRATED PARTS LIST  
 01.1 Page 1104B  
 Nov 01/04

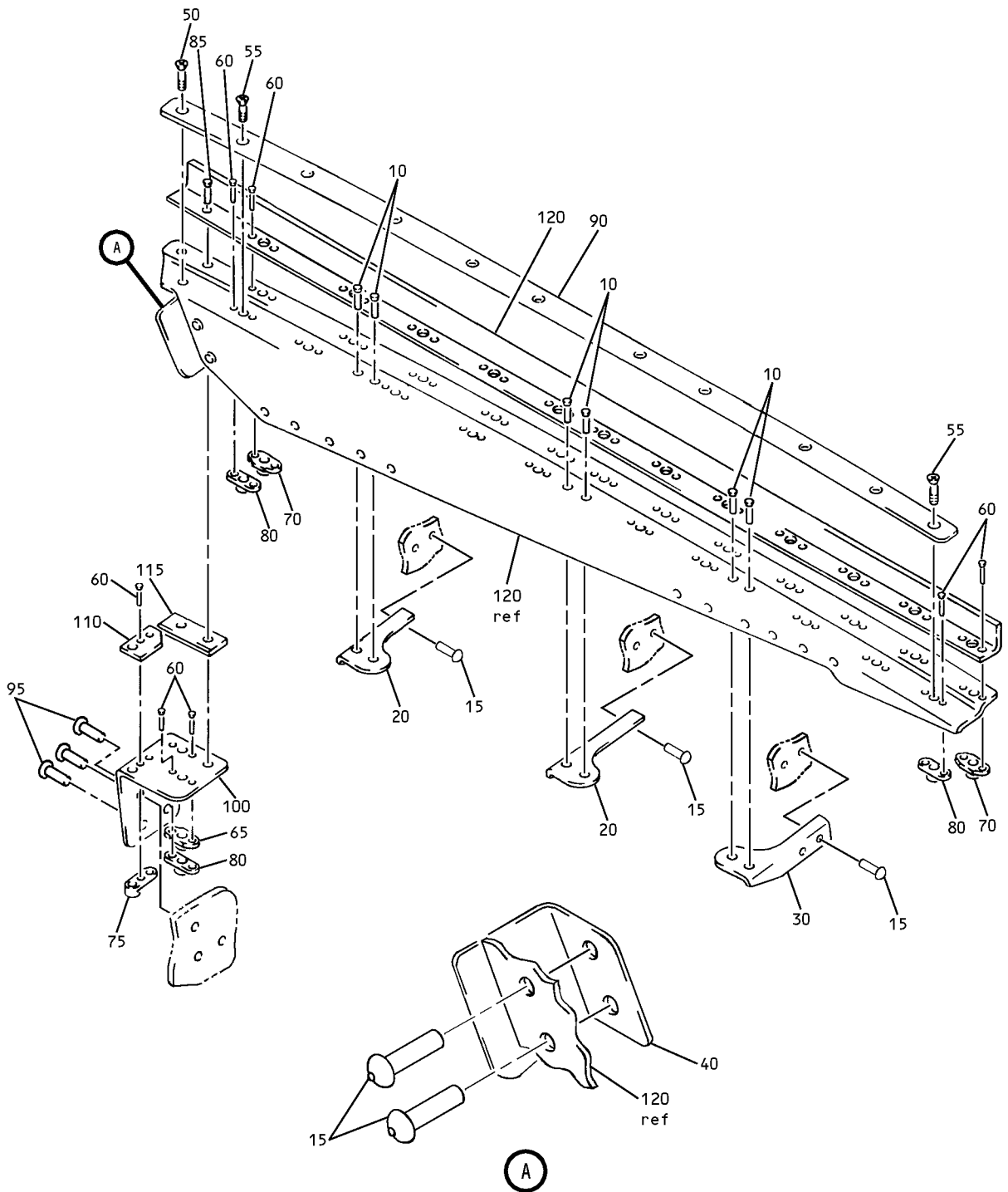




**BOEING**  
COMPONENT  
MAINTENANCE MANUAL

| FIG. & ITEM | PART NO.    | AIRLINE PART NUMBER | NOMENCLATURE<br>1234567   | EFF CODE | QTY PER ASSY |
|-------------|-------------|---------------------|---|----------|--------------|
| 21-275      | HL1187-5    |                     | ..COLLAR-<br>(V5M902)<br>(SPEC BACC30X5)<br>(OPT HL87-5<br>(V92215))<br>(OPT HL86PB5<br>(V73197))<br>(OPT HL86PB5<br>(V92215))<br>(OPT HL87-5<br>(V73197))<br>(OPT HL86PB5<br>(V56878))<br>(OPT HL1187-5<br>(V56878))<br>(OPT HL1187-5<br>(V92215))<br>(OPT HL87-5<br>(V56878))<br>(OPT HL1187-5<br>(V73197)) | DU,DV    | 7            |
| 280         | 315T3239-18 |                     | ..BRACKET   | DU,DV    | 1            |
| 285         | 315T3239-17 |                     | ..BRACKET   | DU,DV    | 1            |
| 290         | BACB30MY5K3 |                     | ..BOLT  | DU,DV    | 32           |
| 295         | HL70-5      |                     | ..COLLAR-<br>(V5M902)<br>(SPEC BACC30M5)<br>(OPT HL70-5<br>(V73197))<br>(OPT HL70-5<br>(V92215))<br>(OPT 66014-5<br>(V56878))<br>(OPT HL70-5<br>(V56878))   | DU,DV    | 32           |
| 300         | 315T3244-1  |                     | ..ADAPTER ASSY  | DU,DV    | 1            |
| 305         | 315T3244-8  |                     | ..ADAPTER ASSY  | DU,DV    | 1            |
| 310         | 315T3125-51 |                     | ..BOND ASSY   | DU,DV    | 1            |

- Item Not Illustrated



Upper Fairing Installation  
 Figure 22

**71-11-56**

ILLUSTRATED PARTS LIST  
 01.1 Page 1104D  
 Nov 01/04



**BOEING**  
COMPONENT  
MAINTENANCE MANUAL

| FIG. & ITEM | PART NO.    | AIRLINE PART NUMBER | NOMENCLATURE<br>1234567   | EFF CODE | QTY PER ASSY |
|-------------|-------------|---------------------|---|----------|--------------|
| 22-<br>-1A  | 315T3307-79 |                     | FAIRING INSTL-UPR<br>BIFURCATION TRACK<br>(NHA 315T4295, REF<br>COLLECTOR CMM 78-31-47) | DS       | RF           |
| -1B         | 315T3307-81 |                     | FAIRING INSTL-UPR<br>BIFURCATION TRACK<br>(NHA 315T4295, REF<br>COLLECTOR CMM 78-31-47) | DS       | RF           |
| -1C         | 315T3307-83 |                     | FAIRING INSTL-UPR<br>BIFURCATION TRACK<br>(NHA 315T4295, REF<br>COLLECTOR CMM 78-31-47) | DS       | RF           |
| -5          | 315T3307-80 |                     | FAIRING INSTL-UPR<br>BIFURCATION TRACK<br>(NHA 315T4295, REF<br>COLLECTOR CMM 78-31-47) | DU       | RF           |
| -5A         | 315T3307-82 |                     | FAIRING INSTL-UPR<br>BIFURCATION TRACK<br>(NHA 315T4295, REF<br>COLLECTOR CMM 78-31-47) | DU       | RF           |
| -5B         | 315T3307-84 |                     | FAIRING INSTL-UPR<br>BIFURCATION TRACK<br>(NHA 315T4295, REF<br>COLLECTOR CMM 78-31-47) | DU       | RF           |
| 10          | BACR15CE5KE |                     | .RIVET-<br>(SIZE DETERMINE ON INST)   | DS,DU    | 6            |
| 15          | BACR15BB5AD |                     | .RIVET-<br>(SIZE DETERMINE ON INST)   | DS,DU    | 8            |
| 20          | 315T3307-45 |                     | .ANGLE-SPRT   | DS       | 2            |

71-11-56

ILLUSTRATED PARTS LIST  
01.1 Page 1104E  
Nov 01/04

| FIG. & ITEM | PART NO.       | AIRLINE PART NUMBER | NOMENCLATURE<br>1234567  | EFF CODE | QTY PER ASSY |
|-------------|----------------|---------------------|--------------------------|----------|--------------|
| 22-         |                |                     |                          |          |              |
| -25         | 315T3307-46    |                     | .ANGLE-SPRT              | DU       | 2            |
| 30          | 315T3307-35    |                     | .ANGLE-SPRT              | DS       | 1            |
| -35         | 315T3307-36    |                     | .ANGLE-SPRT              | DU       | 1            |
| 40          | 315T3307-65    |                     | .ANGLE-SPRT              | DS       | 1            |
| -45         | 315T3307-66    |                     | .ANGLE-SPRT              | DU       | 1            |
| 50          | BACB30LR2-3    |                     | .BOLT                    | DS,DU    | 1            |
| 55          | BACB30LR2-3    |                     | .BOLT-                   | DS,DU    | 10           |
|             |                |                     | (OPT ITEM 55A)           |          |              |
| -55A        | BACB30LH2-2    |                     | .BOLT-                   | DS,DU    | 10           |
|             |                |                     | (OPT ITEM 55)            |          |              |
| 60          | BACR15BA3AD    |                     | .RIVET-                  | DS,DU    | 50           |
|             |                |                     | (SIZE DETERMINE ON INST) |          |              |
| 65          | BR2000C3M      |                     | .NUTPLATE-               | DS,DU    | 1            |
|             |                |                     | (V52828)                 |          |              |
|             |                |                     | (SPEC BACN10JR3CM)       |          |              |
|             |                |                     | (OPT K1001-3BAC          |          |              |
|             |                |                     | (V15653))                |          |              |
|             |                |                     | (OPT NS103202SE02        |          |              |
|             |                |                     | (V80539))                |          |              |
|             |                |                     | (OPT VN102D1-02          |          |              |
|             |                |                     | (V92215))                |          |              |
|             |                |                     | (OPT 109A9201-3          |          |              |
|             |                |                     | (V72962))                |          |              |
|             |                |                     | (OPT T8089C1032          |          |              |
|             |                |                     | (V11815))                |          |              |
| 70          | NS103191SE02-3 |                     | .NUTPLATE-               | DS,DU    | 12           |
|             |                |                     | (V80539)                 |          |              |
|             |                |                     | (SPEC BACN10KE3B3CM)     |          |              |
|             |                |                     | (OPT F51747-3-3DL        |          |              |
|             |                |                     | (V15653))                |          |              |
|             |                |                     | (OPT 104F9213-3-3        |          |              |
|             |                |                     | (V72962))                |          |              |
|             |                |                     | (OPT BRFR220C3-3M        |          |              |
|             |                |                     | (V52828))                |          |              |

# 71-11-56

 ILLUSTRATED PARTS LIST  
 01.1 Page 1104F  
 Nov 01/04



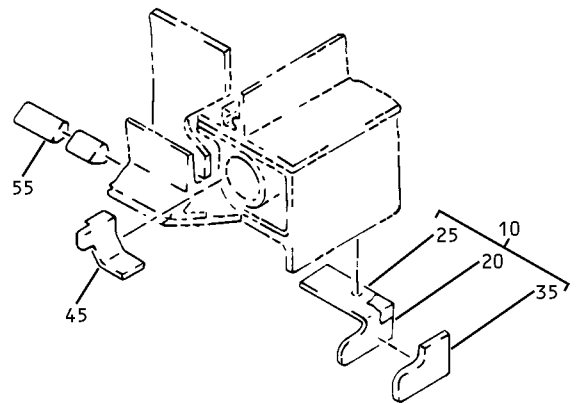
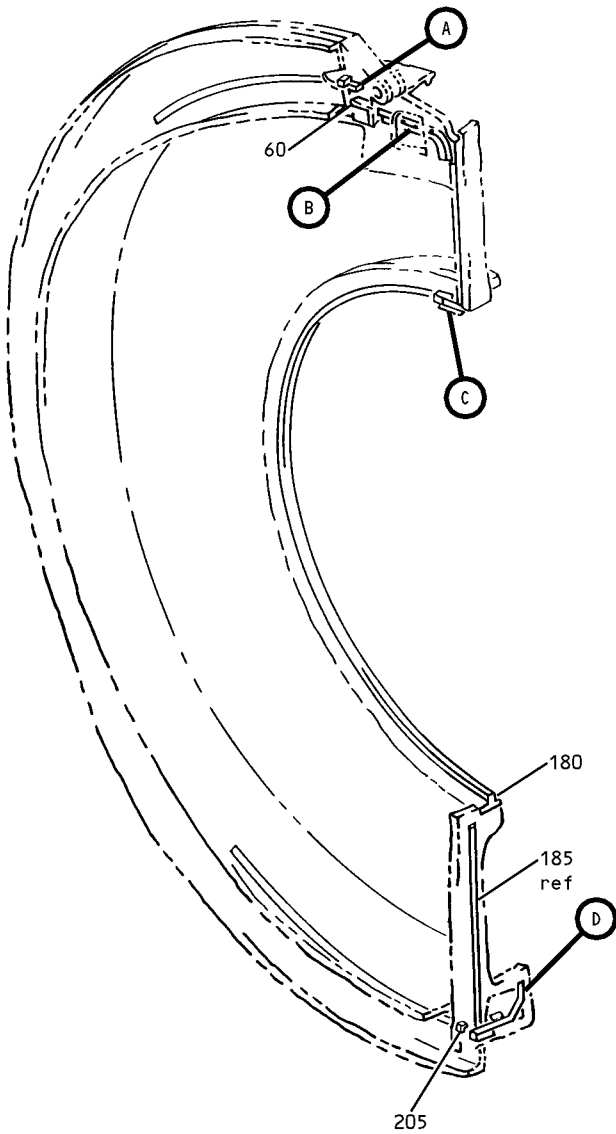
**BOEING**  
COMPONENT  
MAINTENANCE MANUAL

| FIG. & ITEM | PART NO.        | AIRLINE PART NUMBER | NOMENCLATURE<br>1234567  | EFF CODE | QTY PER ASSY |
|-------------|-----------------|---------------------|--|----------|--------------|
| 22-75       | BRF100C3D       |                     | .NUTPLATE-<br>(V52828)<br>(SPEC BACN10KB3CFD)<br>(OPT NS202478-02<br>(V80539))<br>(OPT 102F9207P3<br>(V72962))<br>(OPT F51604-3<br>(V15653))   | DS,DU    | 1            |
| 80          | 109F9201M82     |                     | .NUTPLATE-<br>(V72962)<br>(SPEC BACN10JN08CM)<br>(OPT BRFM20C08M<br>(V52828))<br>(OPT MF1001-08BAC<br>(V15653))<br>(OPT NS103218SE82<br>(V80539))<br>(OPT VN252D82<br>(V92215))<br>(OPT MF53050-08DL<br>(V15653))<br>(OPT T8125C08C<br>(V11815)) | DS,DU    | 11           |
| 85          | BACR15CE5KE     |                     | .RIVET-<br>(SIZE DETERMINE ON INST)  | DS,DU    | 1            |
| 90          | 315T3307-38     |                     | .STRIP-RUB   | DS,DU    | 1            |
| 95          | BACR15FP5MP5    |                     | .RIVET-<br>(OPT ITEM 95A)  | DS,DU    | 3            |
| -95A        | NAS1399CW5-5    |                     | .RIVET-<br>(OPT ITEM 95)   | DS,DU    | 3            |
| 100         | 315T3307-69     |                     | .ANGLE-TIE   | DS       | 1            |
| -105        | 315T3307-70     |                     | .ANGLE-TIE   | DU       | 1            |
| 110         | BACS40R007D011F |                     | .SHIM  | DS,DU    | 1            |
| 115         | 315T3307-37     |                     | .FILLER  | DS,DU    | 1            |
| 120         | 315T3307-75     |                     | .FAIRING   | DS       | 1            |
| -125        | 315T3307-76     |                     | .FAIRING   | DU       | 1            |

- Item Not Illustrated

**71-11-56**

ILLUSTRATED PARTS LIST  
01.1 Page 1104G  
Nov 01/04

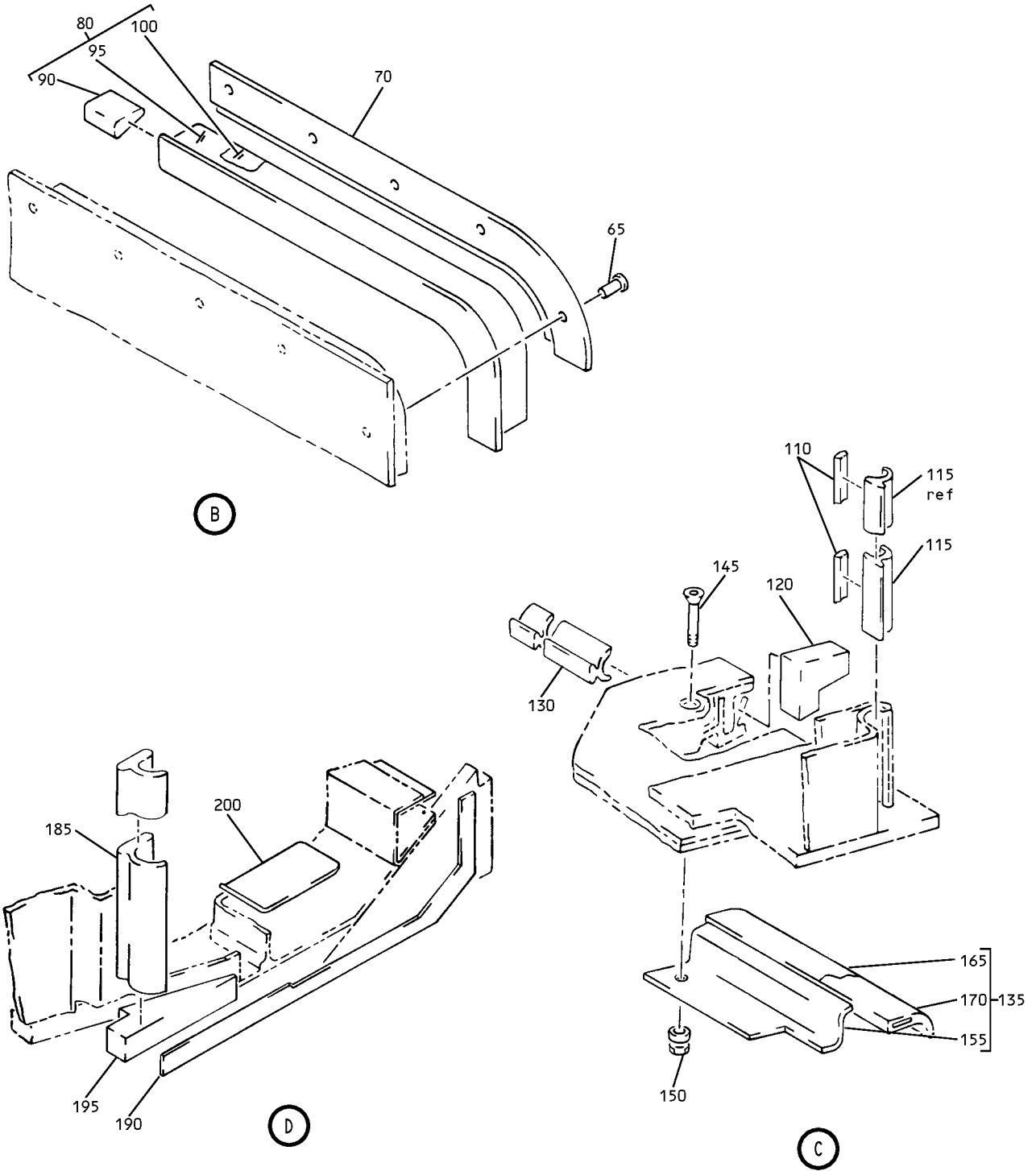


(A)

Thrust Reverser Fan Duct Seal Installation  
Figure 23 (Sheet 1)

**71-11-56**

ILLUSTRATED PARTS LIST  
01.1 Page 1104I  
Nov 01/04



Thrust Reverser Fan Duct Seal Installation  
 Figure 23 (Sheet 2)

**71-11-56**

ILLUSTRATED PARTS LIST  
 01.1 Page 1104J  
 Nov 01/04



**BOEING**  
COMPONENT  
MAINTENANCE MANUAL

| FIG. & ITEM | PART NO.    | AIRLINE PART NUMBER | NOMENCLATURE<br>1234567  | EFF CODE | QTY PER ASSY |
|-------------|-------------|---------------------|--|----------|--------------|
| 23-<br>-1A  | 315T3240-9  |                     | SEAL INSTL-THRUST REVERSER<br>FAN DUCT AERODYN<br>(NHA 315T4295, REF<br>COLLECTOR CMM 78-31-47)<br>(NHA 315U4295, REF<br>COLLECTOR CMM 78-31-48) | DS,DT    | RF           |
| -1B         | 315T3240-17 |                     | SEAL INSTL-THRUST REVERSER<br>FAN DUCT AERODYN<br>(NHA 315U4295, REF<br>COLLECTOR CMM 78-31-48)  | DT       | RF           |
| -1C         | 315T3240-19 |                     | SEAL INSTL-THRUST REVERSER<br>FAN DUCT AERODYN<br>(NHA 315U4295, REF<br>COLLECTOR CMM 78-31-48)  | DT       | RF           |
| -1D         | 315T3240-21 |                     | SEAL INSTL-THRUST REVERSER<br>FAN DUCT AERODYN<br>(NHA 315U4295, REF<br>COLLECTOR CMM 78-31-48)  | DT       | RF           |
| -1E         | 315T3240-23 |                     | SEAL INSTL-THRUST REVERSER<br>FAN DUCT AERODYN<br>(NHA 315U4295, REF<br>COLLECTOR CMM 78-31-48)  | DT       | RF           |
| -1F         | 315T3240-25 |                     | SEAL INSTL-THRUST REVERSER<br>FAN DUCT AERODYN<br>(NHA 315T4295, REF<br>COLLECTOR CMM 78-31-47)  | DS       | RF           |
| -1G         | 315T3240-27 |                     | SEAL INSTL-THRUST REVERSER<br>FAN DUCT AERODYN<br>(NHA 315T4295, REF<br>COLLECTOR CMM 78-31-47)  | DS       | RF           |
| -5          | 315T3240-10 |                     | SEAL INSTL-THRUST REVERSER<br>FAN DUCT AERODYN<br>(NHA 315T4295, REF<br>COLLECTOR CMM 78-31-47)<br>(NHA 315U4295, REF<br>COLLECTOR CMM 78-31-48) | DU,DV    | RF           |
| -5A         | 315T3240-18 |                     | SEAL INSTL-THRUST REVERSER<br>FAN DUCT AERODYN<br>(NHA 315U4295, REF<br>COLLECTOR CMM 78-31-48)  | DV       | RF           |
| -5B         | 315T3240-20 |                     | SEAL INSTL-THRUST REVERSER<br>FAN DUCT AERODYN<br>(NHA 315U4295, REF<br>COLLECTOR CMM 78-31-48)  | DV       | RF           |

71-11-56

ILLUSTRATED PARTS LIST  
01.1 Page 1104K  
Nov 01/04



| FIG. & ITEM | PART NO.    | AIRLINE PART NUMBER | NOMENCLATURE<br>1234567   | EFF CODE | QTY PER ASSY |
|-------------|-------------|---------------------|---|----------|--------------|
| 23-5C       | 315T3240-22 |                     | SEAL INSTL-THRUST REVERSER<br>FAN DUCT AERODYN<br>(NHA 315U4295, REF<br>COLLECTOR CMM 78-31-48) | DV       | RF           |
| -5D         | 315T3240-24 |                     | SEAL INSTL-THRUST REVERSER<br>FAN DUCT AERODYN<br>(NHA 315U4295, REF<br>COLLECTOR CMM 78-31-48) | DV       | RF           |
| -5E         | 315T3240-26 |                     | SEAL INSTL-THRUST REVERSER<br>FAN DUCT AERODYN<br>(NHA 315T4295, REF<br>COLLECTOR CMM 78-31-47) | DU       | RF           |
| -5F         | 315T3240-28 |                     | SEAL INSTL-THRUST REVERSER<br>FAN DUCT AERODYN<br>(NHA 315T4295, REF<br>COLLECTOR CMM 78-31-47) | DU       | RF           |
| 10          | 315T3241-11 |                     | .SEAL ASSY  | DS,DT    | 1            |
| -15         | 315T3241-12 |                     | .SEAL ASSY  | DU,DV    | 1            |
| 20          | 315T3241-26 |                     | ..COVER   | DS-DV    | 1            |
| 25          | 315T3241-27 |                     | ..SEAL  | DS,DT    | 1            |
| -30         | 315T3241-28 |                     | ..SEAL  | DU,DV    | 1            |
| 35          | 315T3241-29 |                     | ..PAD   | DS,DT    | 1            |
| -40         | 315T3241-30 |                     | ..PAD   | DU,DV    | 1            |
| 45          | 315T3241-49 |                     | .SEAL   | DS,DT    | 1            |
| -50         | 315T3241-50 |                     | .SEAL   | DU,DV    | 1            |
| 55          | 315T3240-7  |                     | .SEAL   | DS-DV    | 1            |
| 60          | 315T3241-55 |                     | .SEAL   | DS-DV    | 1            |
| 65          | BACR15BB5AD |                     | .RIVET-<br>(SIZE DETERMINE ON INST)   | DS-DV    | 5            |
| 70          | 315T3241-1  |                     | .RETAINER   | DS,DT    | 1            |
| -75         | 315T3241-2  |                     | .RETAINER   | DU,DV    | 1            |
| 80          | 315T3241-3  |                     | .SEAL ASSY  | DS,DT    | 1            |
| -85         | 315T3241-4  |                     | .SEAL ASSY  | DU,DV    | 1            |
| 90          | 315T3241-20 |                     | ..PLUG  | DS-DV    | 1            |
| 95          | 315T3241-26 |                     | ..COVER   | DS-DV    | 1            |
| 100         | 315T3241-21 |                     | ..SEAL  | DS,DT    | 1            |
| -105        | 315T3241-22 |                     | ..SEAL  | DU,DV    | 1            |
| 110         | 315T3240-16 |                     | .PLUG   | DS-DV    | 2            |
| 115         | 315T3240-3  |                     | .SEAL   | DS-DV    | 1            |
| 120         | 315T3241-17 |                     | .SEAL   | DS,DT    | 1            |
| -125        | 315T3241-18 |                     | .SEAL   | DU,DV    | 1            |
| 130         | 315T3240-8  |                     | .SEAL   | DS-DV    | 1            |
| 135         | 315T3241-41 |                     | .SEAL ASSY  | DS,DT    | 1            |
| -140        | 315T3241-42 |                     | .SEAL ASSY  | DU,DV    | 1            |

# 71-11-56

 ILLUSTRATED PARTS LIST  
 01.1 Page 1104L  
 Nov 01/04

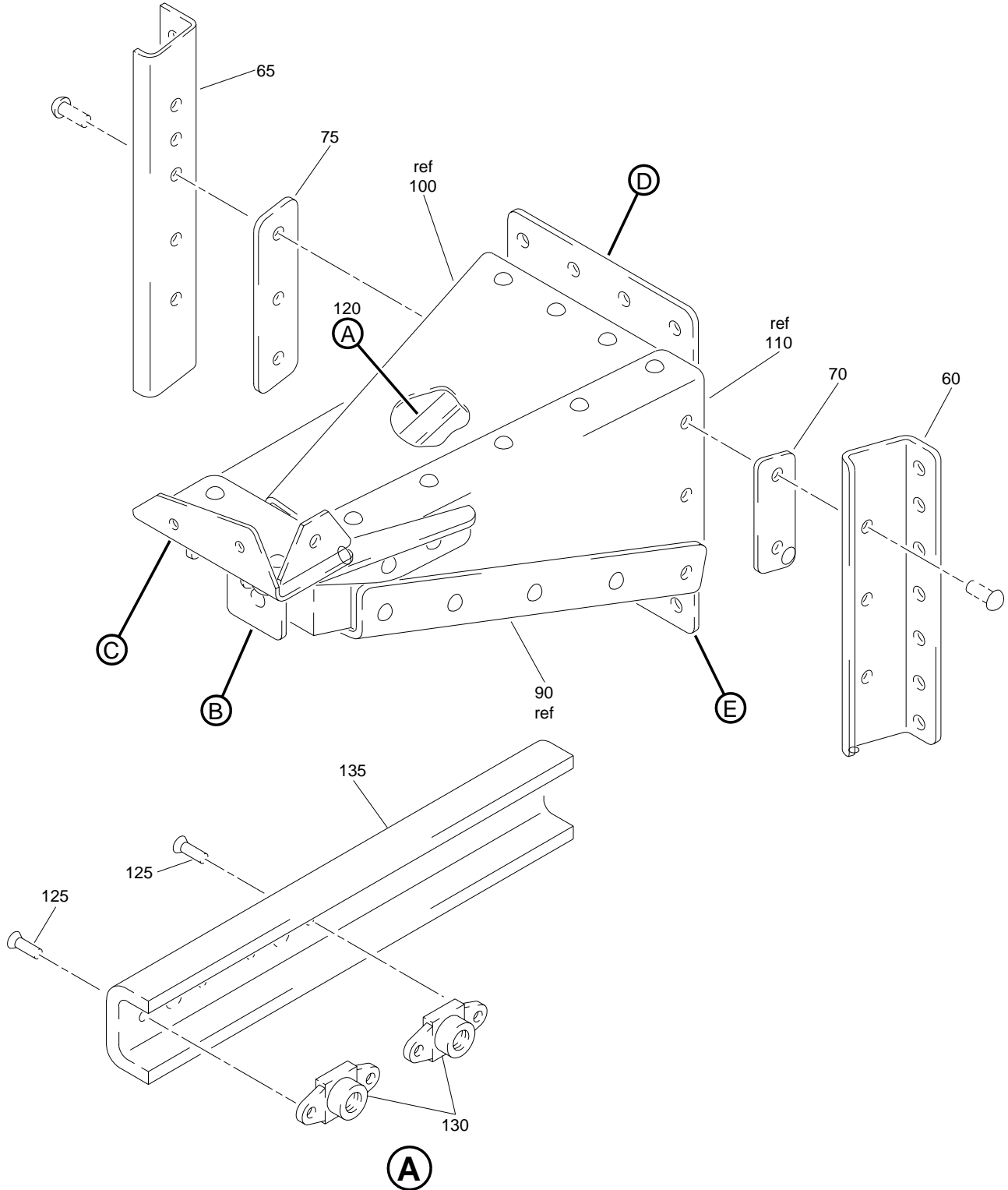
 **BOEING**  
COMPONENT  
MAINTENANCE MANUAL

| FIG. & ITEM | PART NO.    | AIRLINE PART NUMBER | NOMENCLATURE<br>1234567   | EFF CODE | QTY PER ASSY |
|-------------|-------------|---------------------|---|----------|--------------|
| 23-         |             |                     |   |          |              |
| 145         | HL523AZ5-18 |                     | ATTACHING PARTS<br>.BOLT-<br>(V56878)<br>(SPEC BACB30NZ5K18)<br>(OPT L804-5K18<br>(V06725))<br>(OPT HL523AZ5-18<br>(V92215))<br>(OPT HL523AZ5-18<br>(V73197))<br>(OPT HL523AZ5-18<br>(V97928))<br>(OPT HL523AZ5-18<br>(V0PTK6))<br>(OPT HL523AZ5-18<br>(V06725))<br>(OPT HL523AZ5-18<br>(V60516)) | DS-DV    | 1            |
| 150         | HL70-5      |                     | .COLLAR-<br>(V5M902)<br>(SPEC BACC30M5)<br>(OPT HL70-5<br>(V73197))<br>(OPT HL70-5<br>(V92215))<br>(OPT 66014-5<br>(V56878))<br>(OPT HL70-5<br>(V56878))<br>-----*  | DS-DV    | 1            |
| 155         | 315T3241-45 |                     | ..BRACKET   | DS,DT    | 1            |
| -160        | 315T3241-46 |                     | ..BRACKET   | DU,DV    | 1            |
| 165         | 315T3241-47 |                     | ..COVER   | DS-DV    | 1            |
| 170         | 315T3241-43 |                     | ..SEAL  | DS,DT    | 1            |
| -175        | 315T3241-44 |                     | ..SEAL  | DU,DV    | 1            |
| 180         | 315T3241-53 |                     | .SEAL   | DS,DT    | 1            |
| 185         | 315T3240-13 |                     | .SEAL   | DS,DT    | 1            |
| 190         | 315T3241-16 |                     | .SEAL   | DS,DT    | 1            |
| 195         | 315T3241-15 |                     | .SEAL   | DS,DT    | 1            |
| 200         | 315T3240-6  |                     | .COVER  | DS,DT    | 1            |
| 205         | 315T3241-52 |                     | .SEAL   | DS,DT    | 1            |
| -210        | 315T3241-51 |                     | .SEAL   | DU,DV    | 1            |

- Item Not Illustrated

**71-11-56**

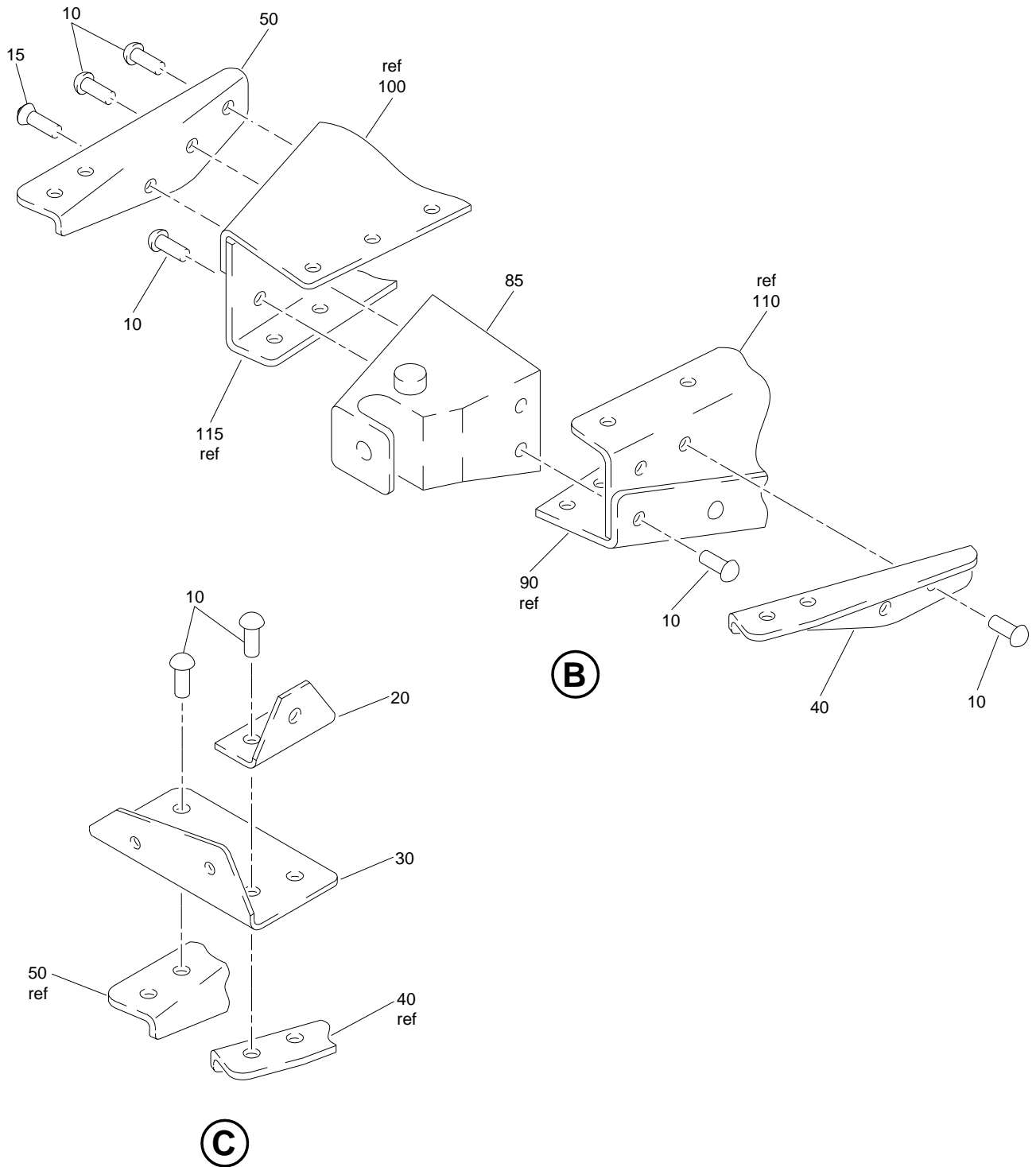
ILLUSTRATED PARTS LIST  
01.1 Page 1104M  
Nov 01/04



Bracket Assembly  
Figure 24 (Sheet 1)

**71-11-56**

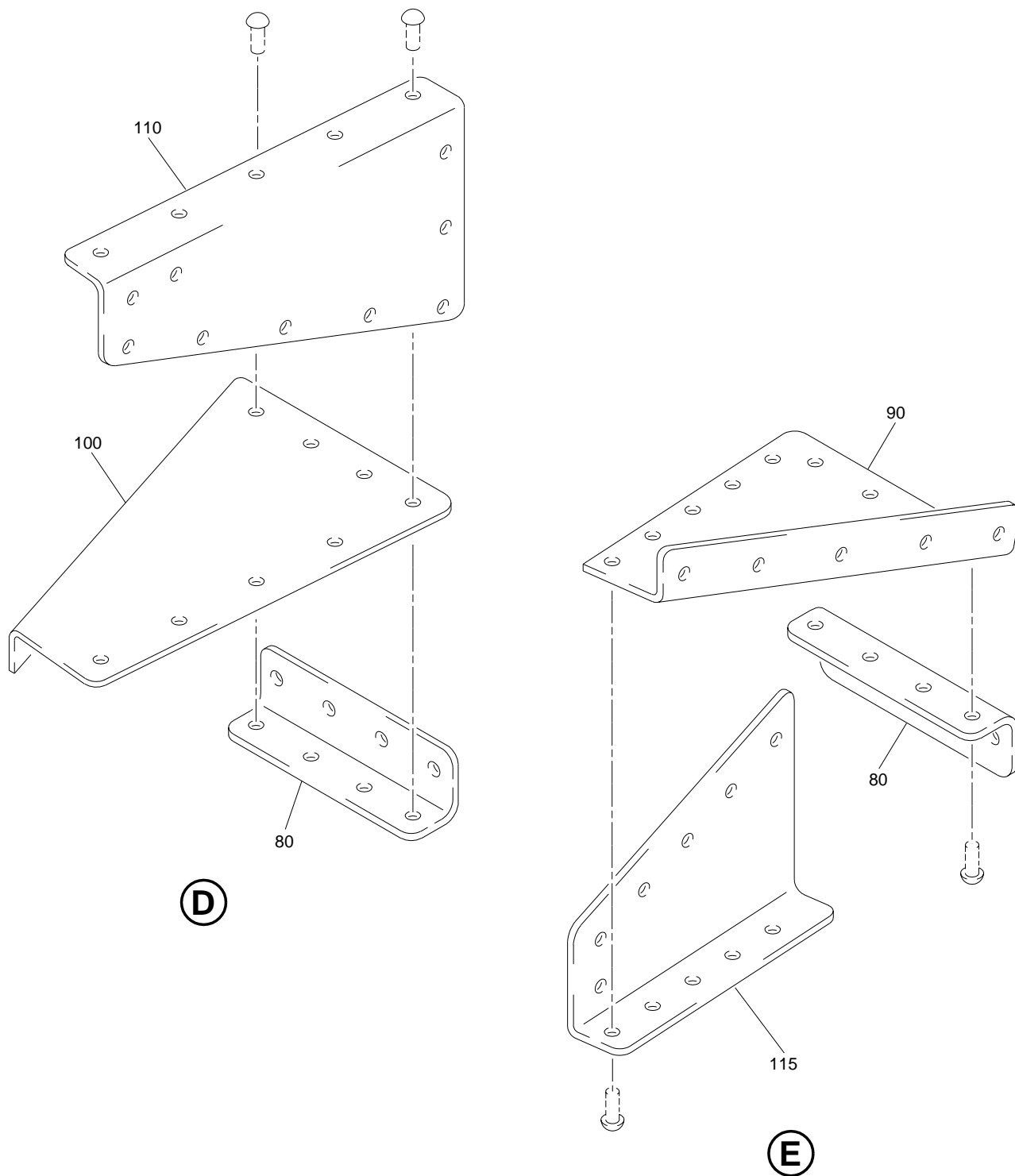
ILLUSTRATED PARTS LIST  
01.1 Page 1104N  
Nov 01/04



Bracket Assembly  
Figure 24 (Sheet 2)

**71-11-56**

ILLUSTRATED PARTS LIST  
01.1 Page 11040  
Nov 01/04



Bracket Assembly  
Figure 24 (Sheet 3)

**71-11-56**

ILLUSTRATED PARTS LIST  
01.1 Page 1104P  
Nov 01/04



**BOEING**  
COMPONENT  
MAINTENANCE MANUAL

| FIG. & ITEM | PART NO.     | AIRLINE PART NUMBER | NOMENCLATURE<br>1234567   | EFF CODE | QTY PER ASSY |
|-------------|--------------|---------------------|---|----------|--------------|
| 24-<br>-1A  | 315T3633-171 |                     | BRACKET ASSY-<br>(NHA 315T4295, REF<br>COLLECTOR CMM 78-31-47)<br>(NHA 315U4295, REF<br>COLLECTOR CMM 78-31-48) | DS,DT    | RF           |
| -1B         | 315T3633-173 |                     | BRACKET ASSY-<br>(NHA 315U4295, REF<br>COLLECTOR CMM 78-31-48)  | DT       | RF           |
| -1C         | 315T3633-175 |                     | BRACKET ASSY-<br>(NHA 315U4295, REF<br>COLLECTOR CMM 78-31-48)  | DT       | RF           |
| -1D         | 315T3633-177 |                     | BRACKET ASSY-<br>(NHA 315U4295, REF<br>COLLECTOR CMM 78-31-48)  | DT       | RF           |
| -1E         | 315T3633-179 |                     | BRACKET ASSY-<br>(NHA 315U4295, REF<br>COLLECTOR CMM 78-31-48)  | DT       | RF           |
| -1F         | 315T3633-181 |                     | BRACKET ASSY-<br>(NHA 315T4295, REF<br>COLLECTOR CMM 78-31-47)  | DS       | RF           |
| -1G         | 315T3633-183 |                     | BRACKET ASSY-<br>(NHA 315T4295, REF<br>COLLECTOR CMM 78-31-47)  | DS       | RF           |
| -5          | 315T3633-172 |                     | BRACKET ASSY-<br>(NHA 315T4295, REF<br>COLLECTOR CMM 78-31-47)<br>(NHA 315U4295, REF<br>COLLECTOR CMM 78-31-48) | DU,DV    | RF           |
| -5A         | 315T3633-174 |                     | BRACKET ASSY-<br>(NHA 315U4295, REF<br>COLLECTOR CMM 78-31-48)  | DV       | RF           |
| -5B         | 315T3633-176 |                     | BRACKET ASSY-<br>(NHA 315U4295, REF<br>COLLECTOR CMM 78-31-48)  | DV       | RF           |
| -5C         | 315T3633-178 |                     | BRACKET ASSY-<br>(NHA 315U4295, REF<br>COLLECTOR CMM 78-31-48)  | DV       | RF           |
| -5D         | 315T3633-180 |                     | BRACKET ASSY-<br>(NHA 315U4295, REF<br>COLLECTOR CMM 78-31-48)  | DV       | RF           |
| -5E         | 315T3633-182 |                     | BRACKET ASSY-<br>(NHA 315T4295, REF<br>COLLECTOR CMM 78-31-47)  | DU       | RF           |

**71-11-56**

ILLUSTRATED PARTS LIST  
01.1 Page 1104Q  
Nov 01/04

| FIG. & ITEM | PART NO.     | AIRLINE PART NUMBER | NOMENCLATURE<br>1234567  | EFF CODE | QTY PER ASSY |
|-------------|--------------|---------------------|--|----------|--------------|
| 24-<br>-5F  | 315T3633-184 |                     | BRACKET ASSY-<br>(NHA 315T4295, REF<br>COLLECTOR CMM 78-31-47) | DU       | RF           |
| 10          | BACR15BB6AD  |                     | .RIVET-<br>(SIZE DETERMINE ON INST)                            | DS-DV    | 10           |
| 15          | BACR15CE6KE  |                     | .RIVET-<br>(SIZE DETERMINE ON INST)                            | DS-DV    | 1            |
| 20          | 315T3633-109 |                     | .ANGLE   | DS,DT    | 1            |
| -25         | 315T3633-110 |                     | .ANGLE   | DU,DV    | 1            |
| 30          | 315T3633-91  |                     | .BRACKET   | DS,DT    | 1            |
| -35         | 315T3633-92  |                     | .BRACKET   | DU,DV    | 1            |
| 40          | 315T3633-85  |                     | .BRACKET   | DS,DT    | 1            |
| -45         | 315T3633-86  |                     | .BRACKET   | DU,DV    | 1            |
| 50          | 315T3633-87  |                     | .BRACKET   | DS,DT    | 1            |
| -55         | 315T3633-88  |                     | .BRACKET   | DU,DV    | 1            |
| 60          | 315T3633-89  |                     | .BRACKET   | DS-DV    | 1            |
| 65          | 315T3633-90  |                     | .BRACKET   | DS-DV    | 1            |
| 70          | 315T3633-96  |                     | .FILLER  | DS-DV    | 1            |
| 75          | 315T3633-97  |                     | .FILLER  | DS-DV    | 1            |
| 80          | 315T3633-93  |                     | .BRACKET   | DS-DV    | 2            |
| 85          | 315T3662-1   |                     | .FITTING-ATTACH  | DS-DV    | 1            |
| 90          | 315T3633-165 |                     | .BRACKET   | DS,DT    | 1            |
| -95         | 315T3633-167 |                     | .BRACKET   | DU,DV    | 1            |
| 100         | 315T3633-84  |                     | .BRACKET   | DS,DT    | 1            |
| -105        | 315T3633-169 |                     | .BRACKET   | DU,DV    | 1            |
| 110         | 315T3633-81  |                     | .BRACKET   | DS-DV    | 1            |
| 115         | 315T3633-82  |                     | .BRACKET   | DS-DV    | 1            |
| 120         | 315T3633-98  |                     | .STIFFENER ASSY  | DS-DV    | 1            |
| 125         | BACR15BA3AD  |                     | ..RIVET-<br>(SIZE DETERMINE ON INST)                           | DS-DV    | 4            |

# 71-11-56

 ILLUSTRATED PARTS LIST  
 01.1 Page 1104R  
 Nov 01/04

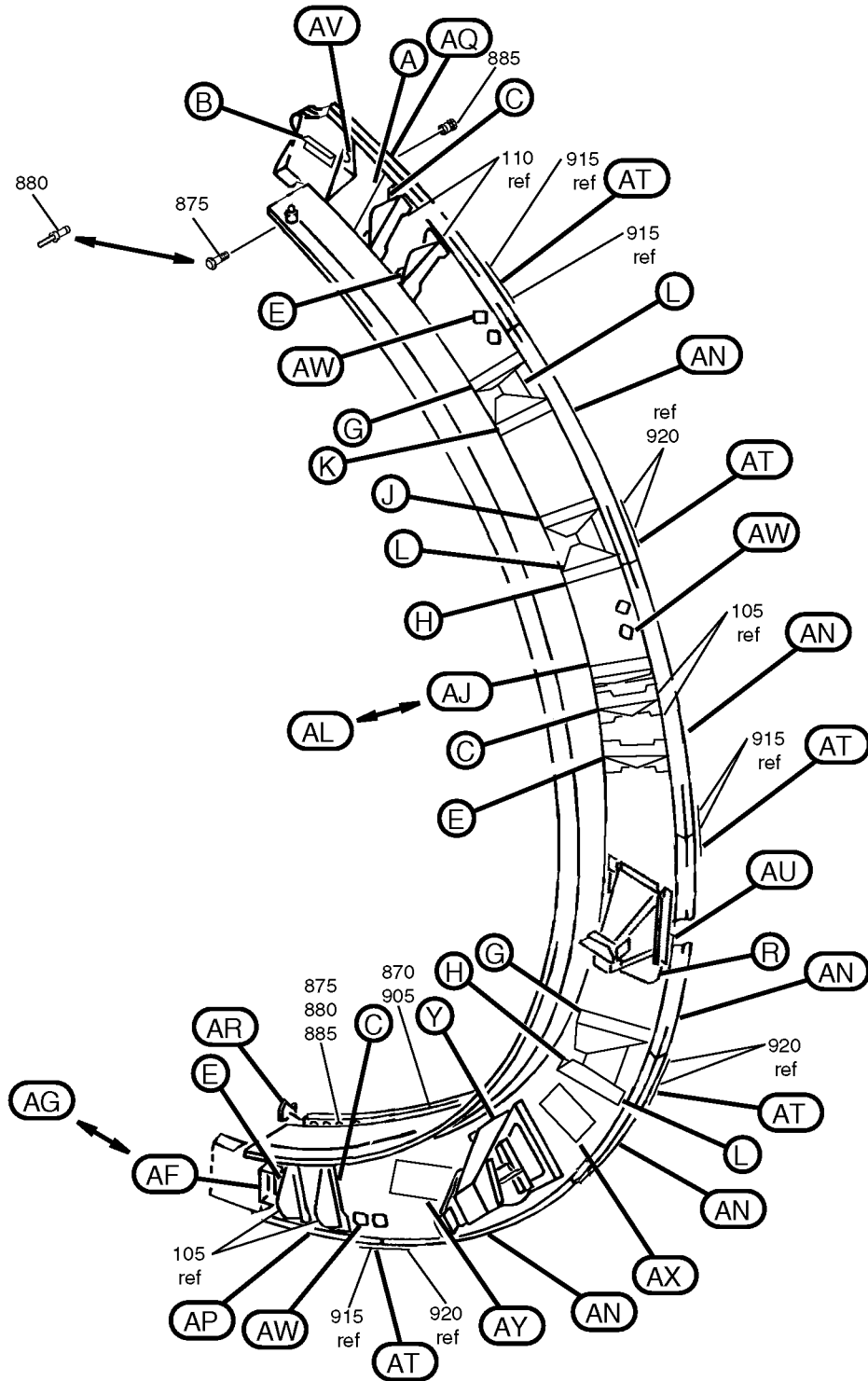


**BOEING**  
COMPONENT  
MAINTENANCE MANUAL

| FIG. & ITEM | PART NO.    | AIRLINE PART NUMBER | NOMENCLATURE<br>1234567  | EFF CODE | QTY PER ASSY |
|-------------|-------------|---------------------|--|----------|--------------|
| 24-130      | BRF200C3M   |                     | ..NUTPLATE-<br>(V52828)<br>(SPEC BACN10JR3CFM)<br>(OPT F5001-3BAC<br>(V15653))<br>(OPT NS103203SE02<br>(V80539))<br>(OPT VN152D1-02<br>(V92215))<br>(OPT 109F9201-3<br>(V72962))<br>(OPT T8092C1032<br>(V11815)) | DS-DV    | 2            |
| 135         | 315T3633-99 |                     | ..STIFFENER  | DS-DV    | 1            |

- Item Not Illustrated

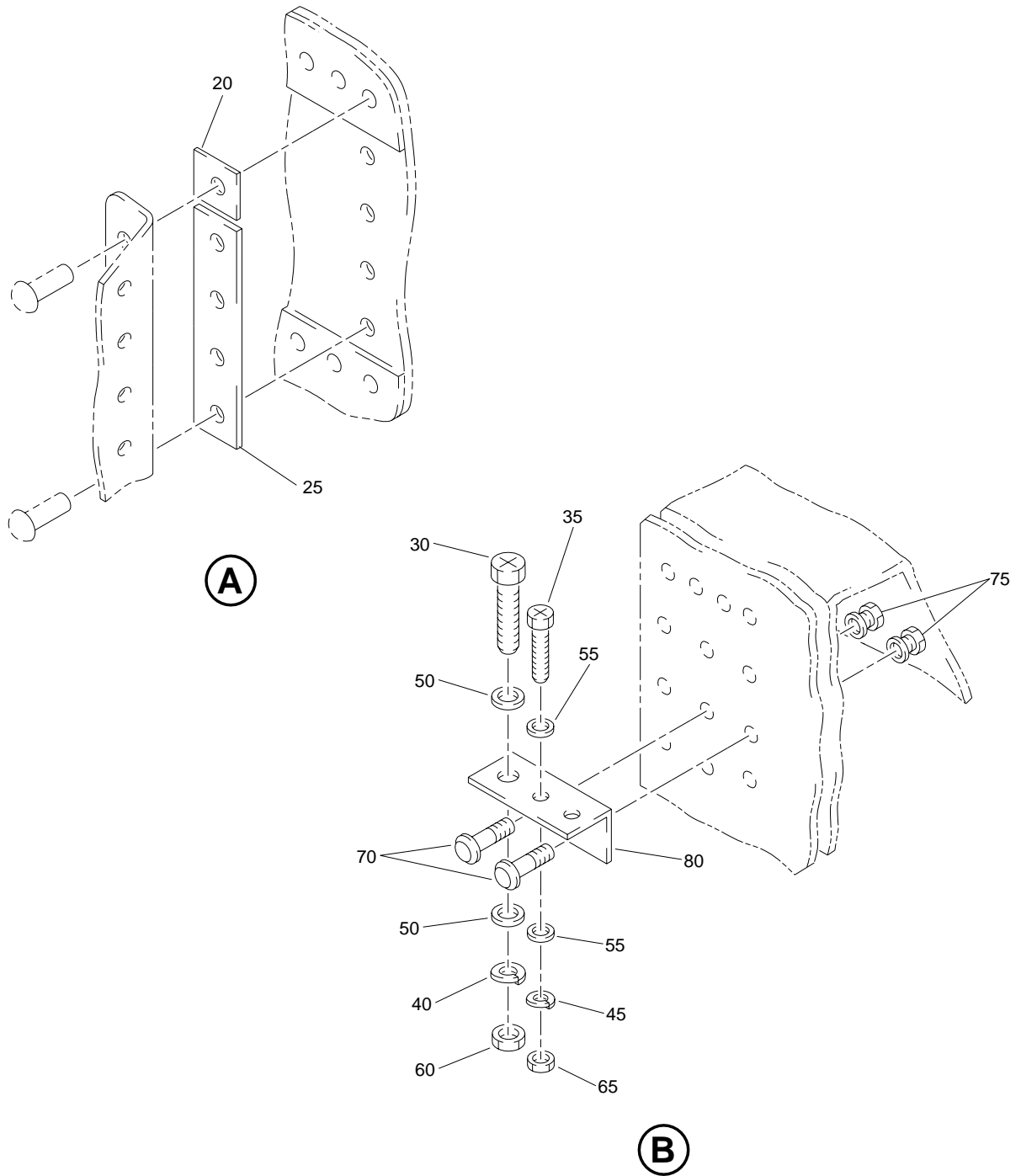




Torque Box Installation  
Figure 25 (Sheet 1)

71-11-56

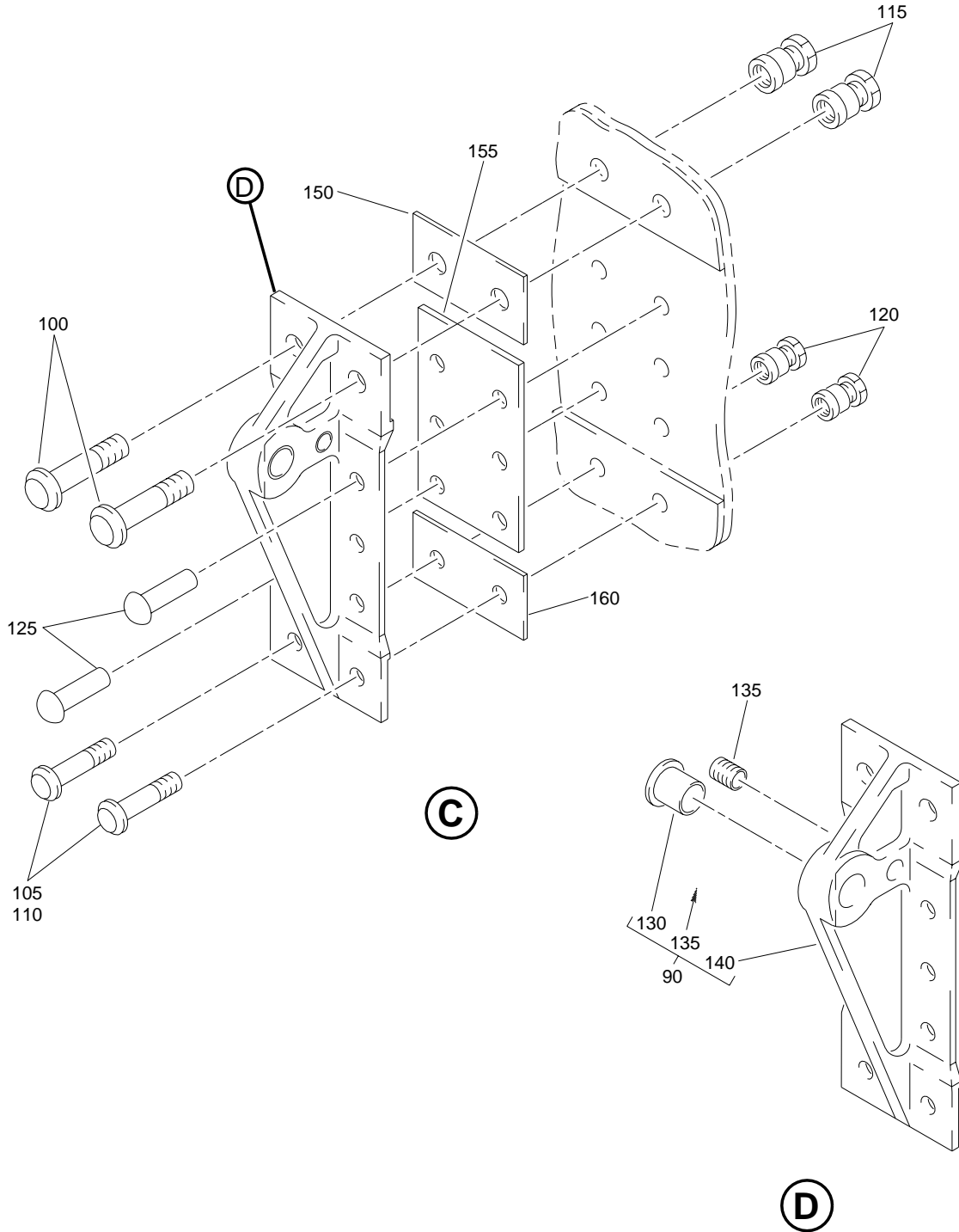
ILLUSTRATED PARTS LIST  
01.1 Page 1104U  
Nov 01/04



Torque Box Installation  
 Figure 25 (Sheet 2)

**71-11-56**

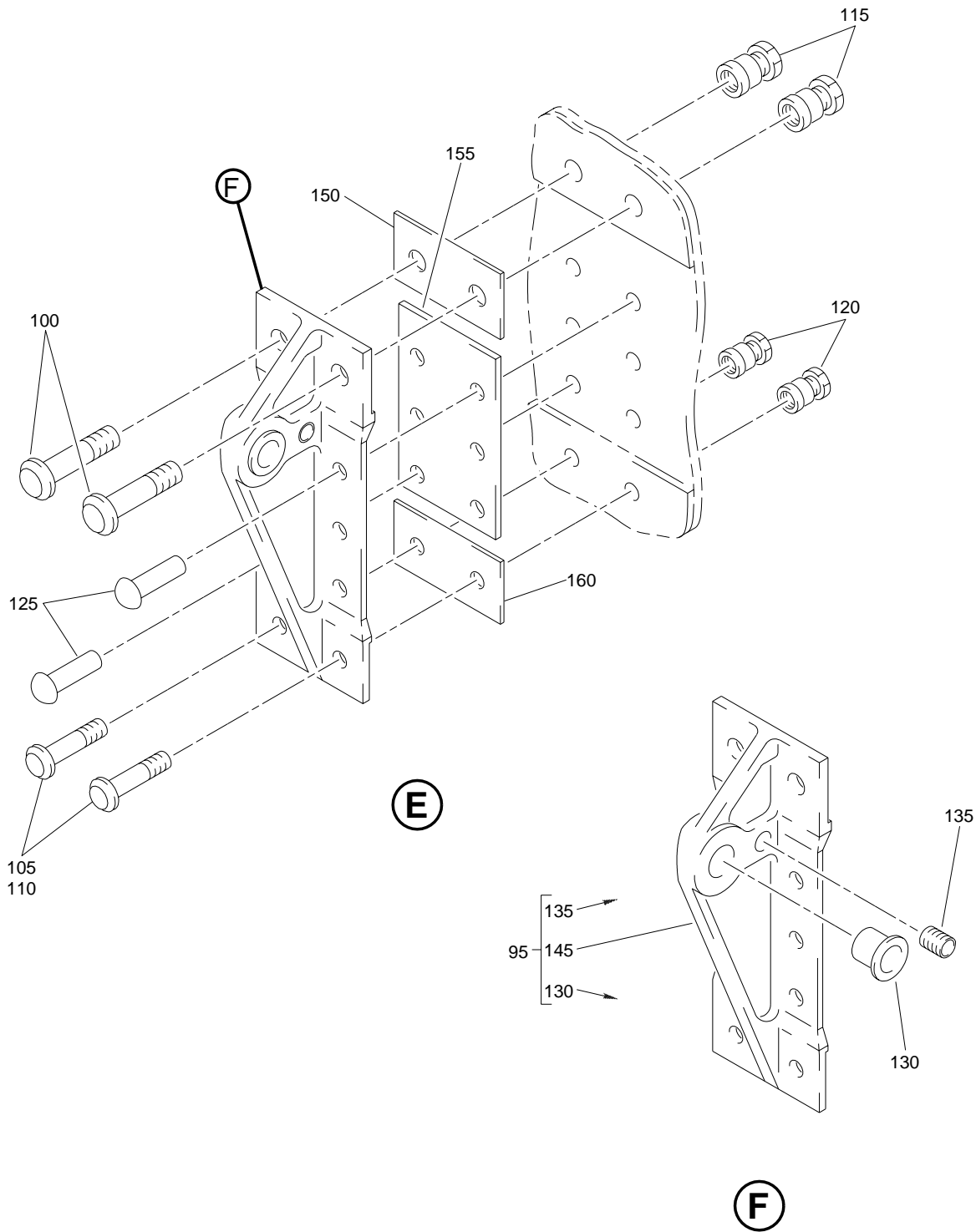
ILLUSTRATED PARTS LIST  
 01.1 Page 1104V  
 Nov 01/04



Torque Box Installation  
Figure 25 (Sheet 3)

**71-11-56**

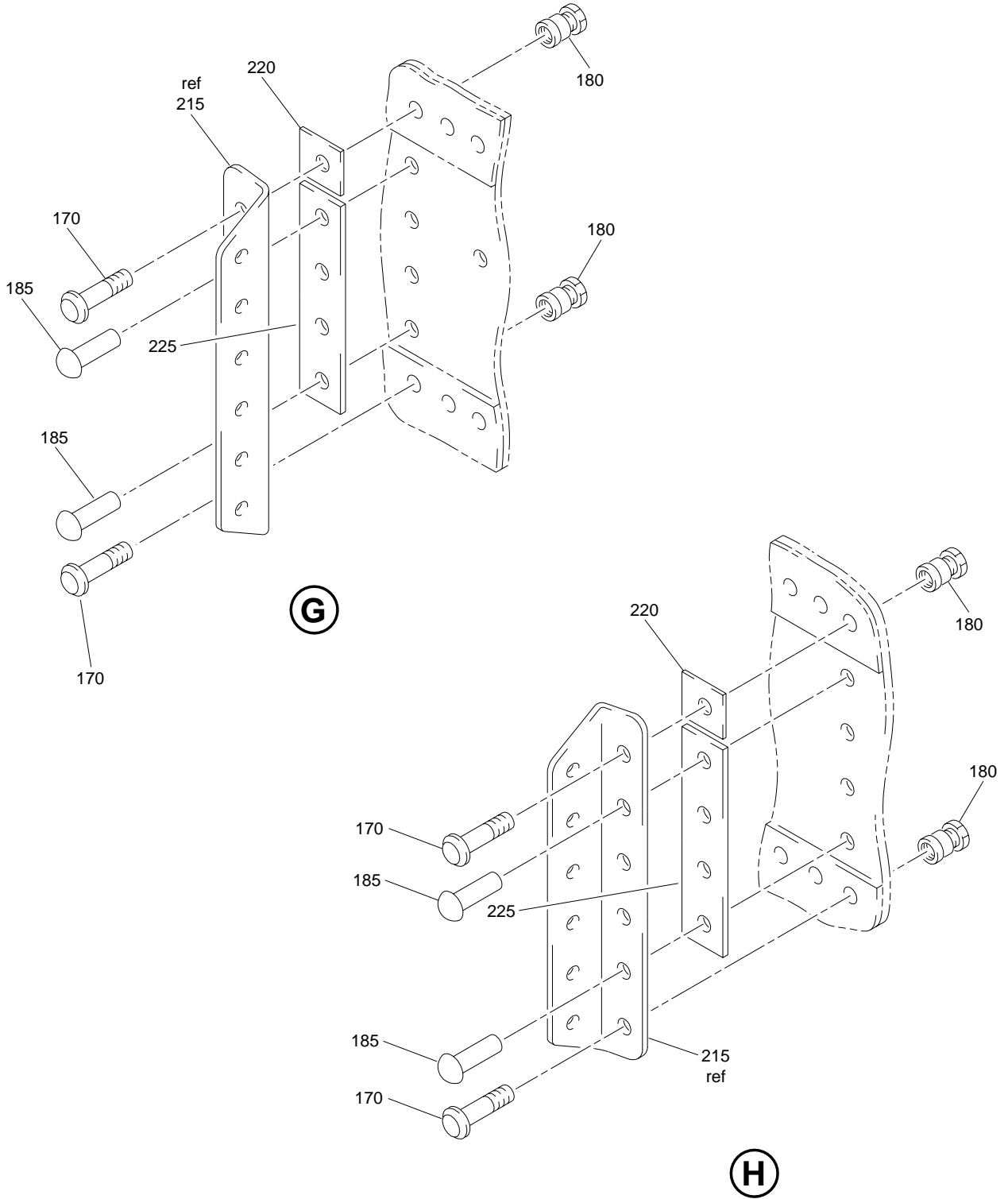
ILLUSTRATED PARTS LIST  
01.1 Page 1104W  
Nov 01/04



Torque Box Installation  
 Figure 25 (Sheet 4)

**71-11-56**

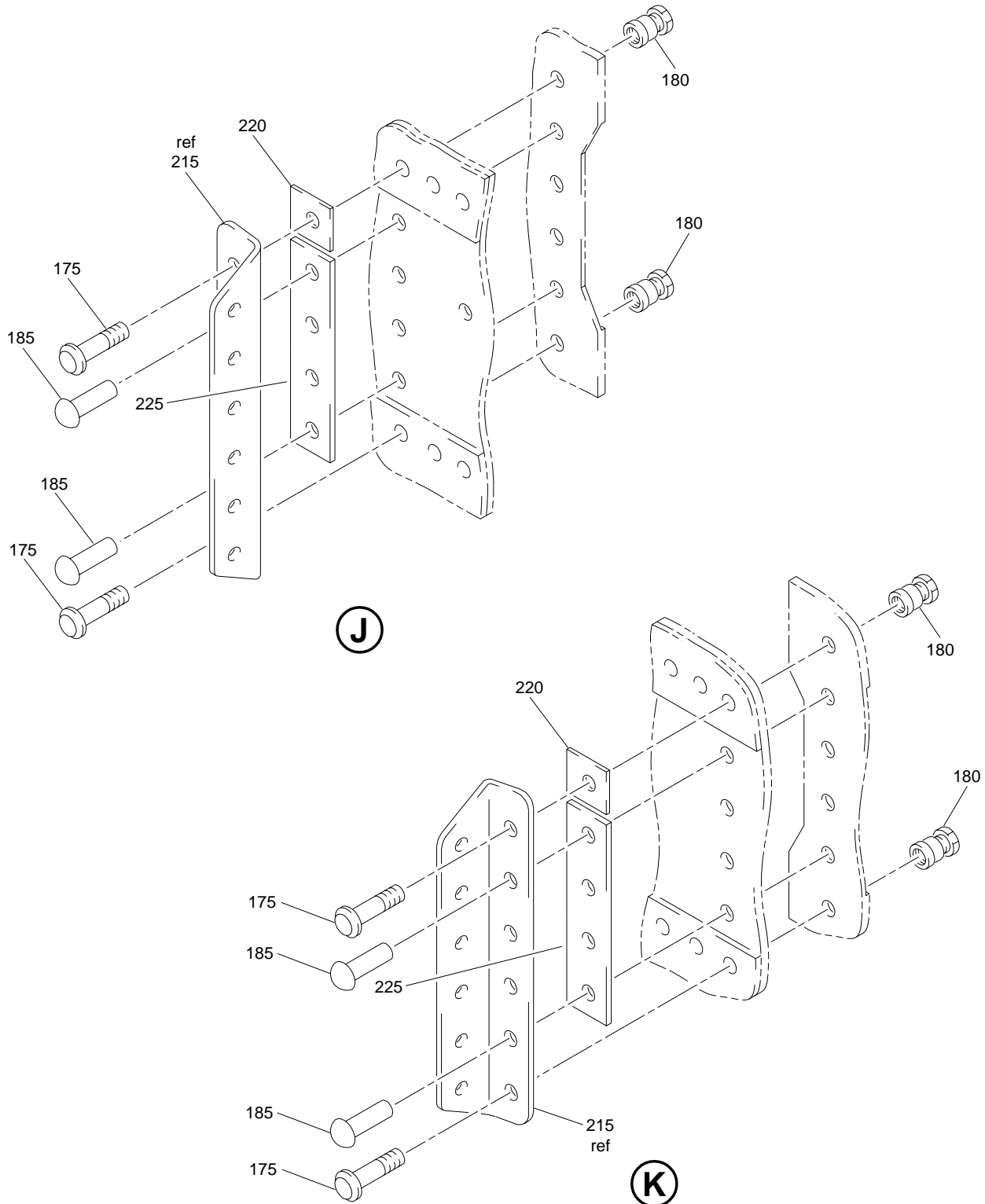
ILLUSTRATED PARTS LIST  
 01.1 Page 1104X  
 Nov 01/04



Torque Box Installation  
Figure 25 (Sheet 5)

**71-11-56**

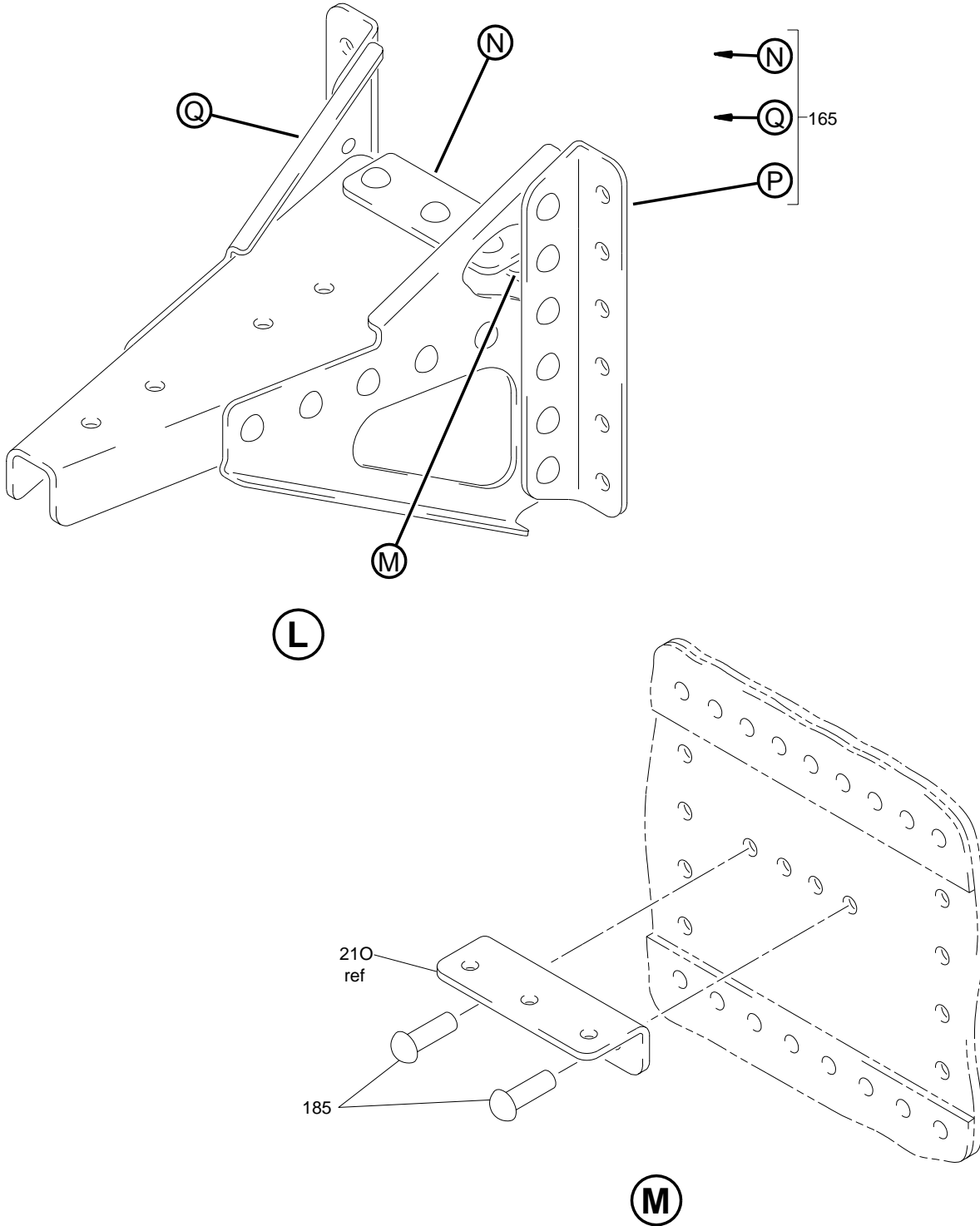
ILLUSTRATED PARTS LIST  
01.1 Page 1104Y  
Nov 01/04



**Torque Box Installation**  
**Figure 25 (Sheet 6)**

**71-11-56**

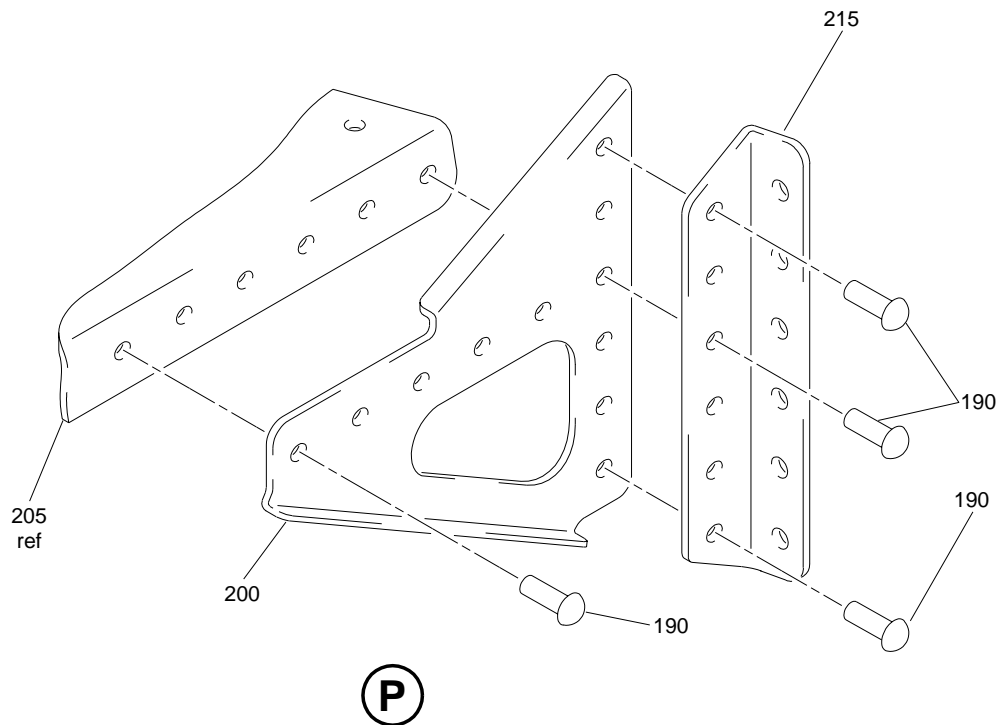
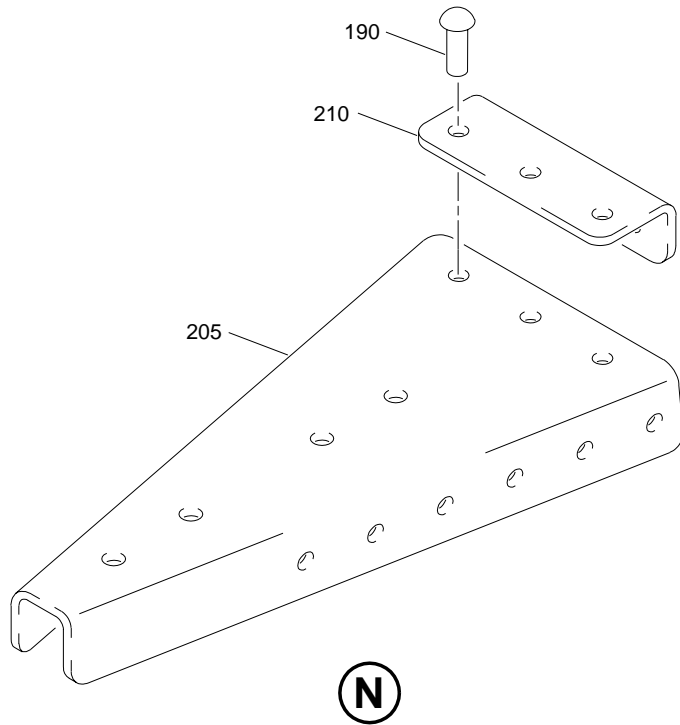
ILLUSTRATED PARTS LIST  
 01.1 Page 1104Z  
 Nov 01/04



Torque Box Installation  
Figure 25 (Sheet 7)

**71-11-56**

ILLUSTRATED PARTS LIST  
01.1 Page 1105  
Nov 01/04

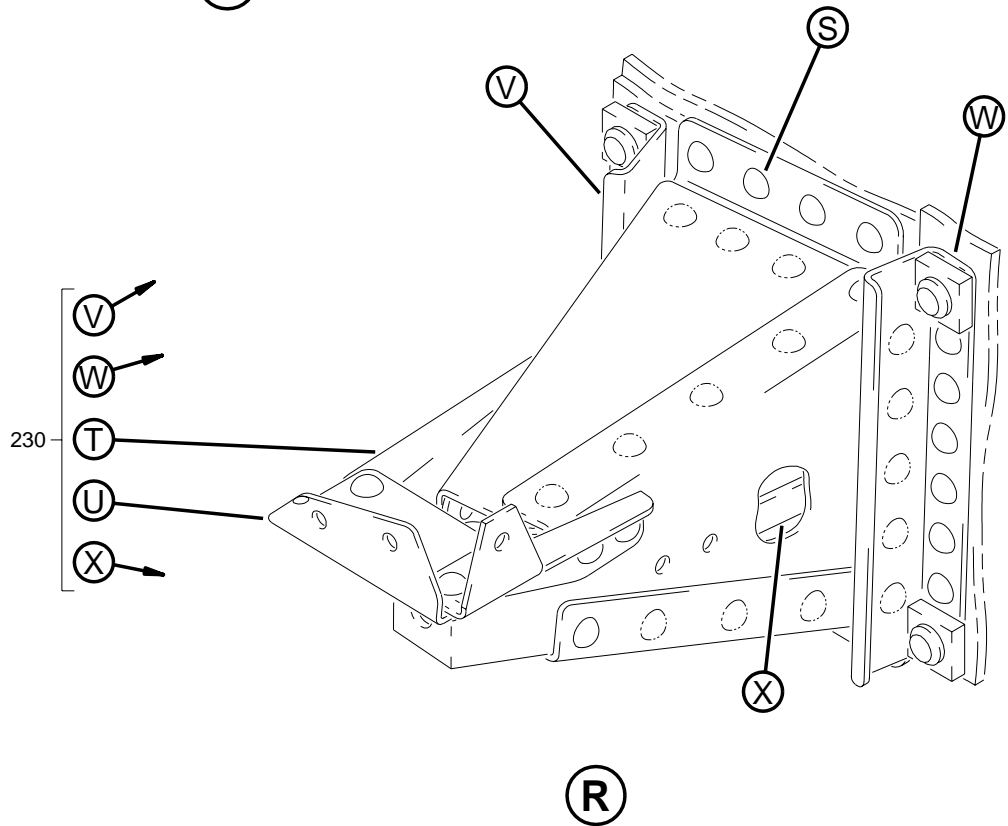
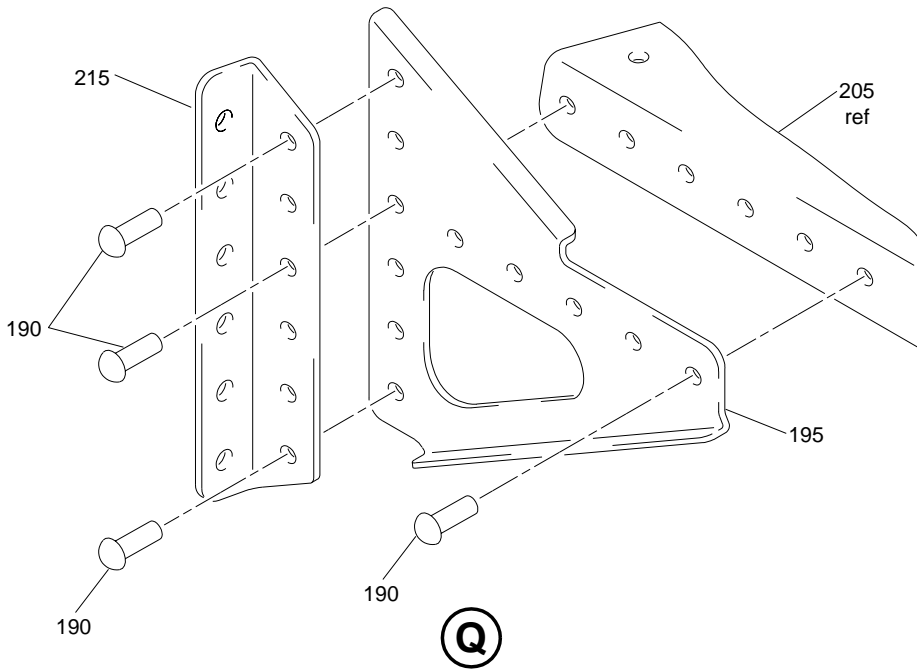


Torque Box Installation  
Figure 25 (Sheet 8)

**71-11-56**

ILLUSTRATED PARTS LIST  
01.1 Page 1106  
Nov 01/04

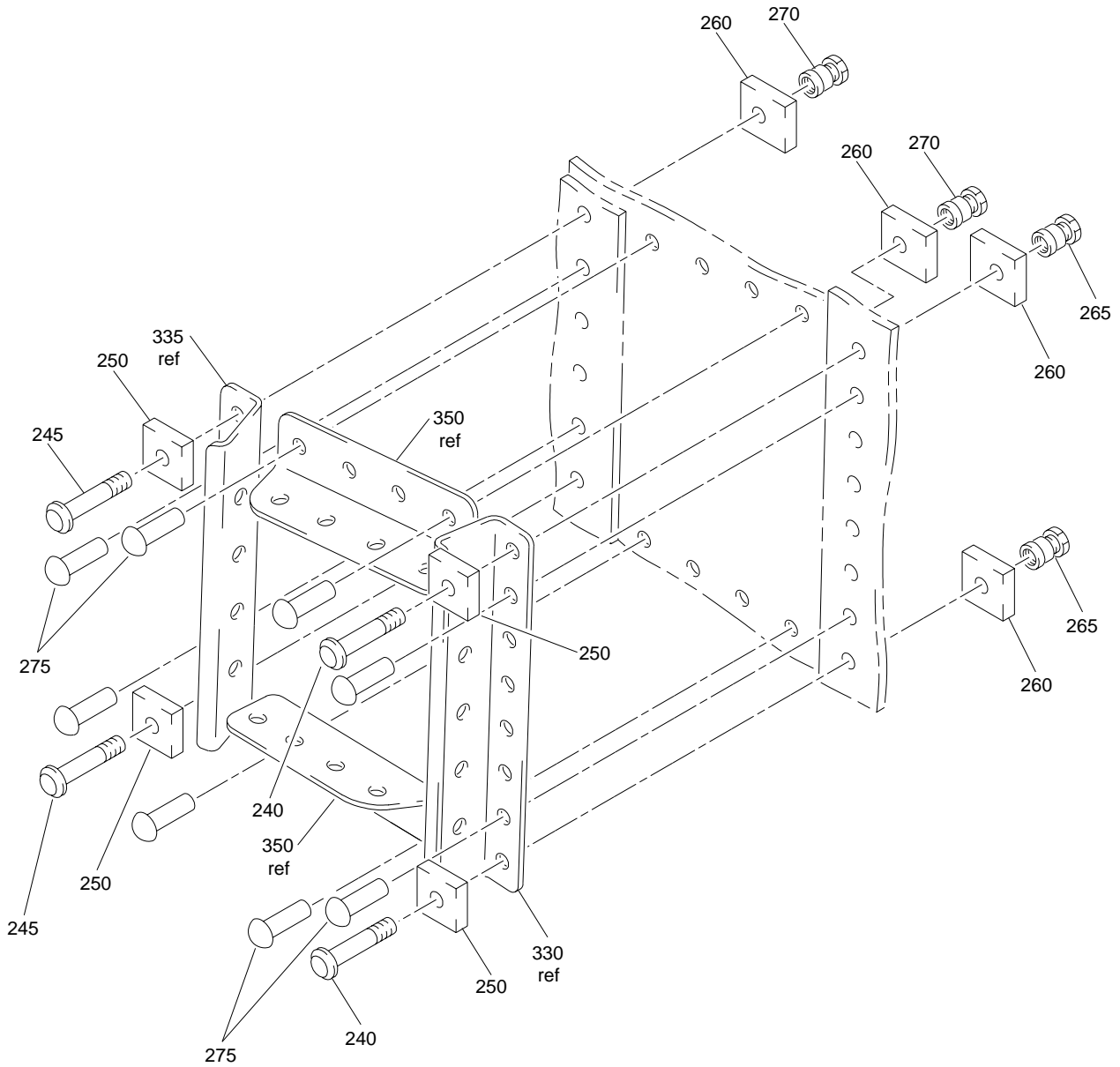




Torque Box Installation  
Figure 25 (Sheet 9)

**71-11-56**

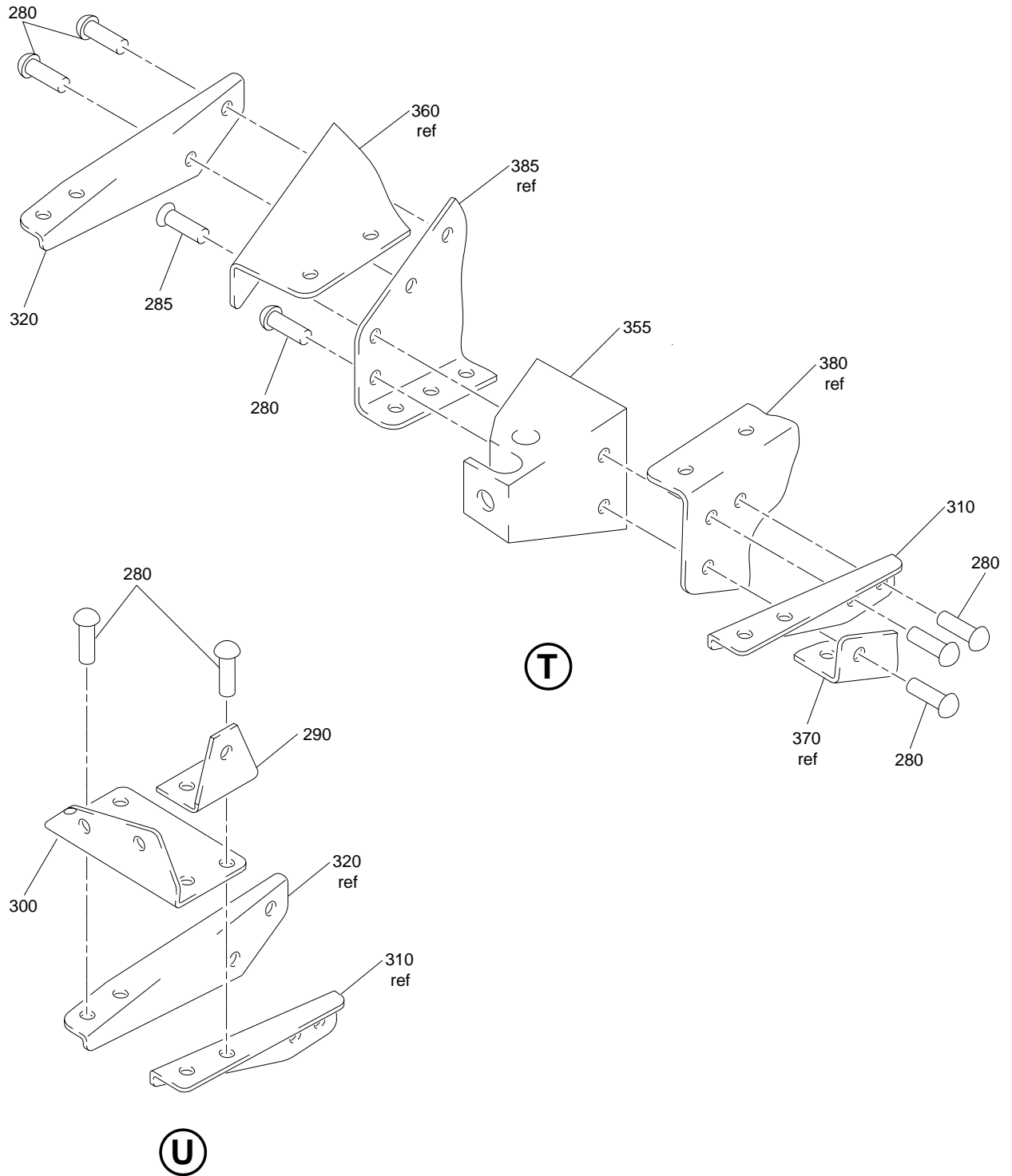
ILLUSTRATED PARTS LIST  
01.1 Page 1106A  
Nov 01/04



Torque Box Installation  
Figure 25 (Sheet 10)

**71-11-56**

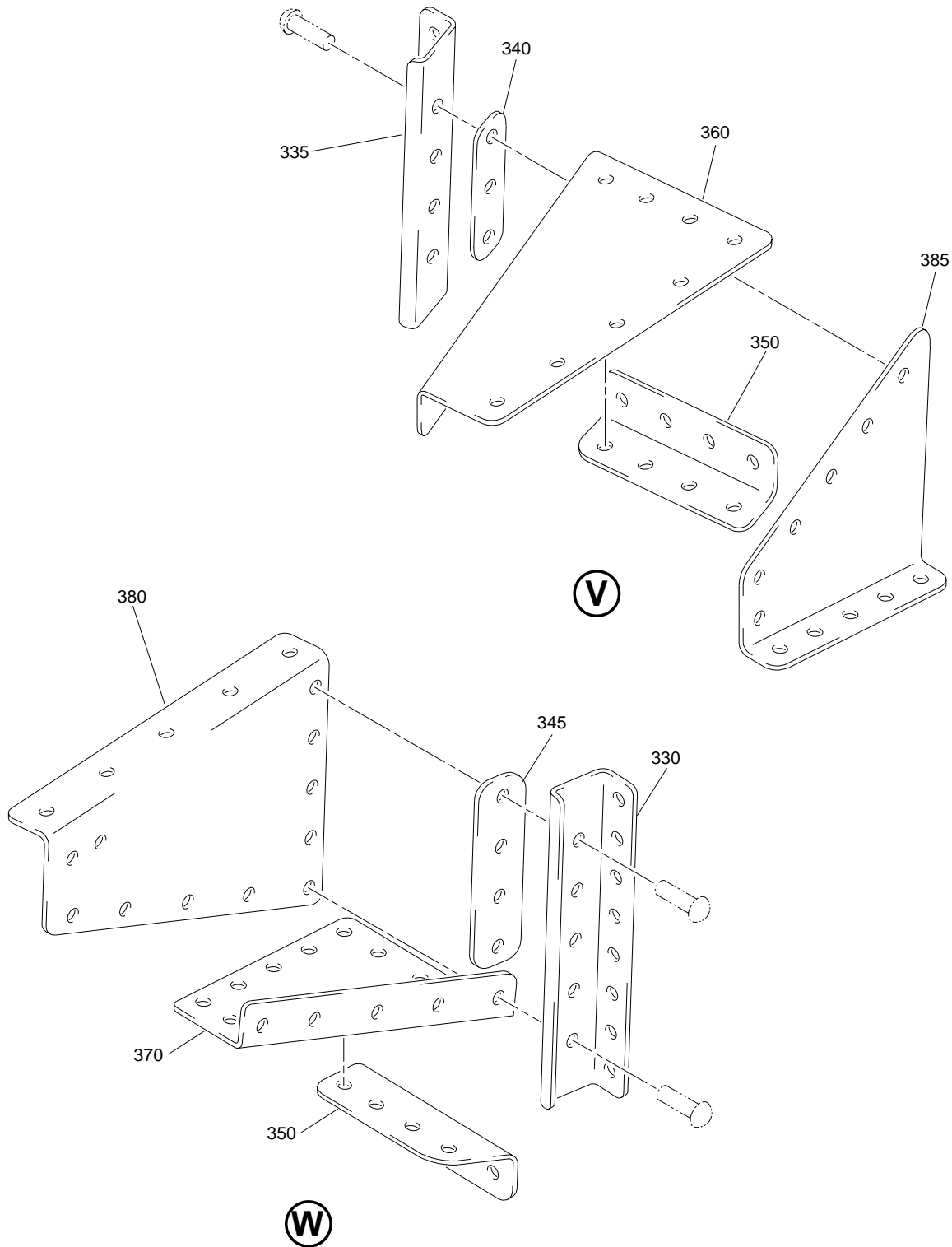
ILLUSTRATED PARTS LIST  
01.1 Page 1106B  
Nov 01/04



Torque Box Installation  
Figure 25 (Sheet 11)

**71-11-56**

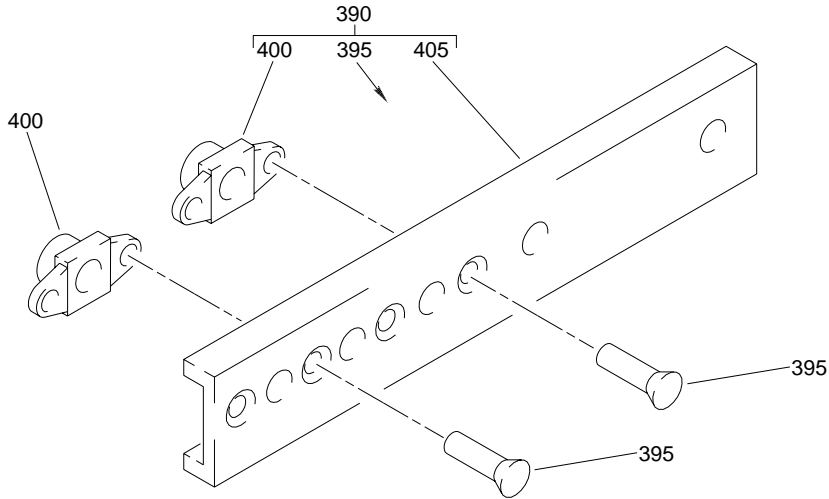
ILLUSTRATED PARTS LIST  
01.1 Page 1106C  
Nov 01/04



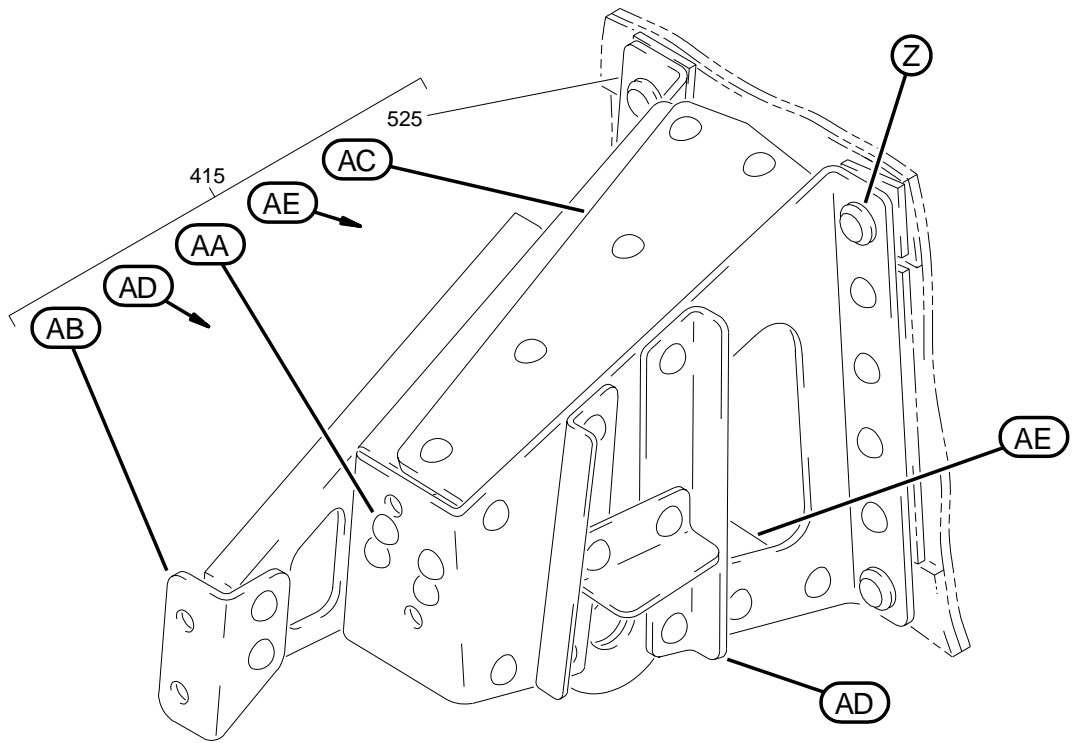
Torque Box Installation  
Figure 25 (Sheet 12)

**71-11-56**

ILLUSTRATED PARTS LIST  
01.1 Page 1106D  
Nov 01/04



(X)

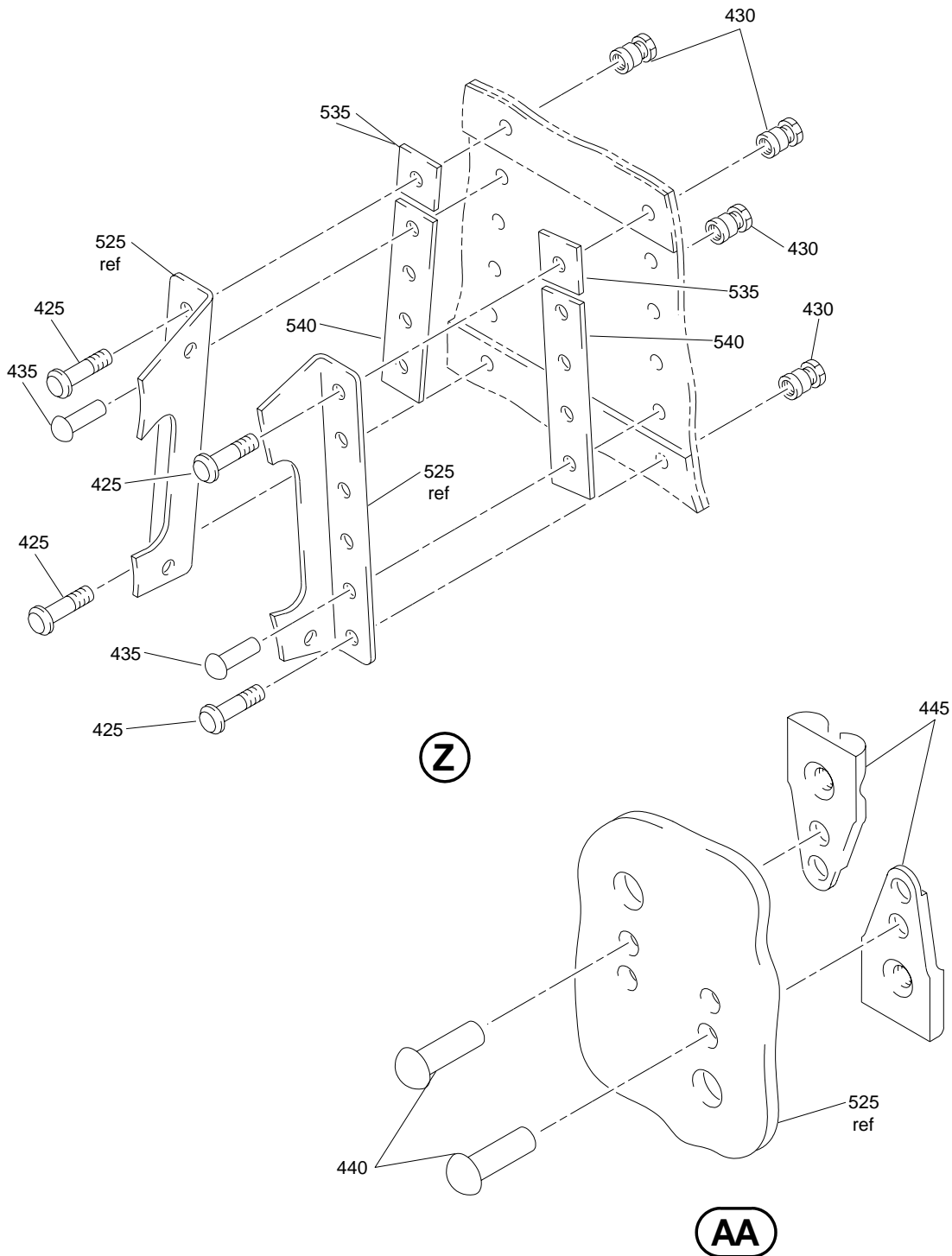


(Y)

Torque Box Installation  
Figure 25 (Sheet 13)

**71-11-56**

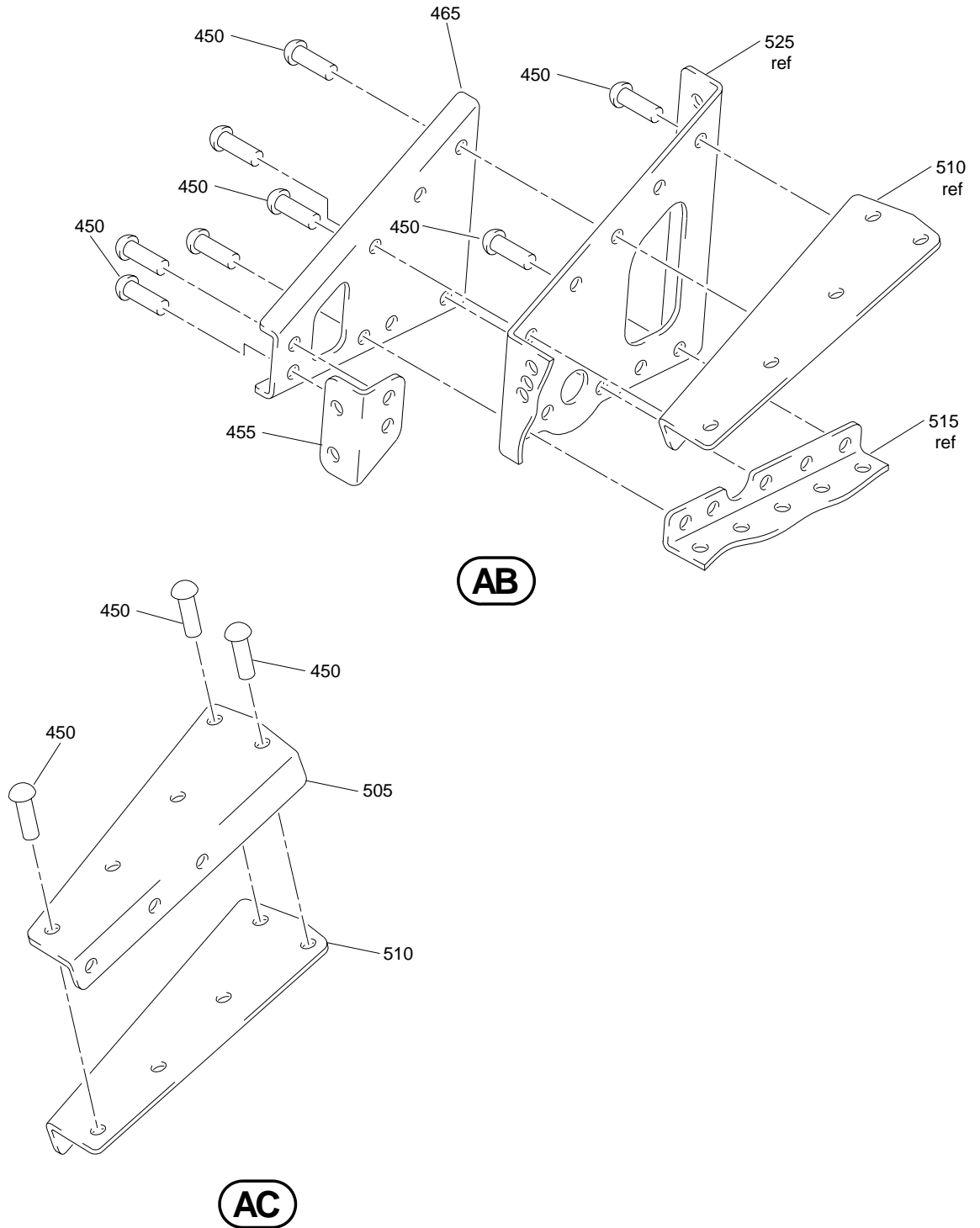
ILLUSTRATED PARTS LIST  
01.1 Page 1106E  
Nov 01/04



Torque Box Installation  
 Figure 25 (Sheet 14)

**71-11-56**

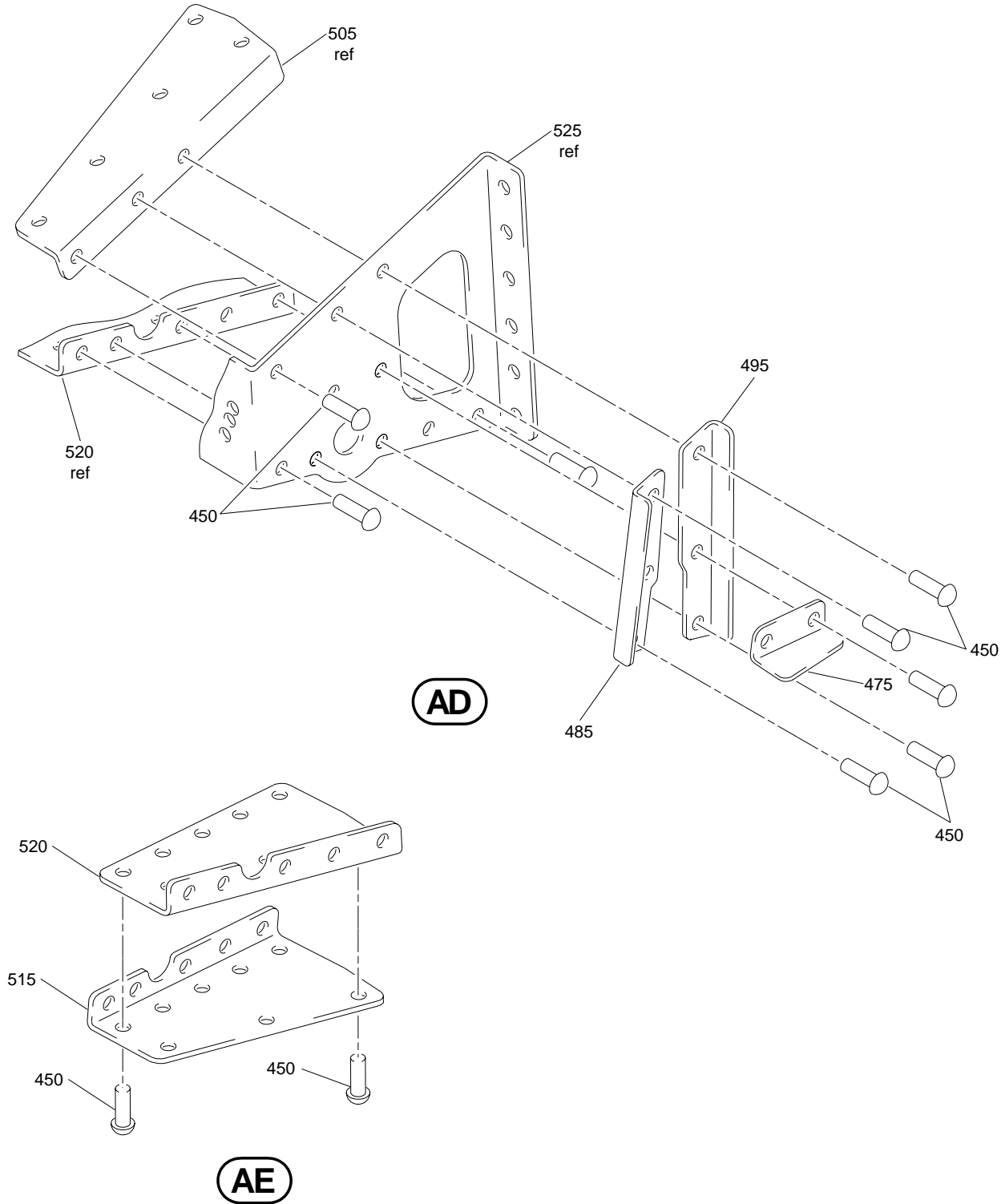
ILLUSTRATED PARTS LIST  
 01.1 Page 1106F  
 Nov 01/04



Torque Box Installation  
Figure 25 (Sheet 15)

**71-11-56**

ILLUSTRATED PARTS LIST  
01.1 Page 1106G  
Nov 01/04

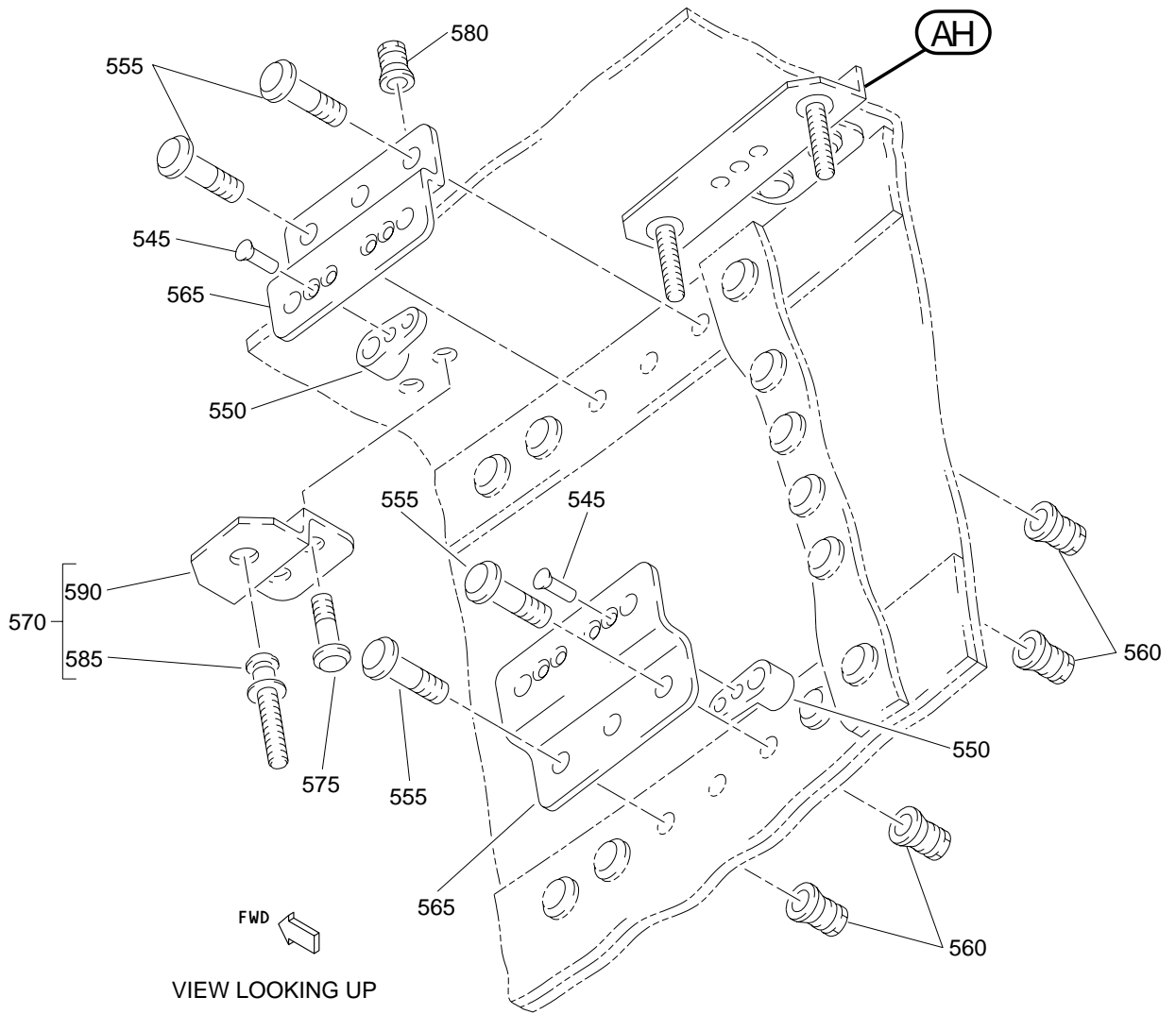


Torque Box Installation  
Figure 25 (Sheet 16)

**71-11-56**

ILLUSTRATED PARTS LIST  
01.1 Page 1106H  
Nov 01/04



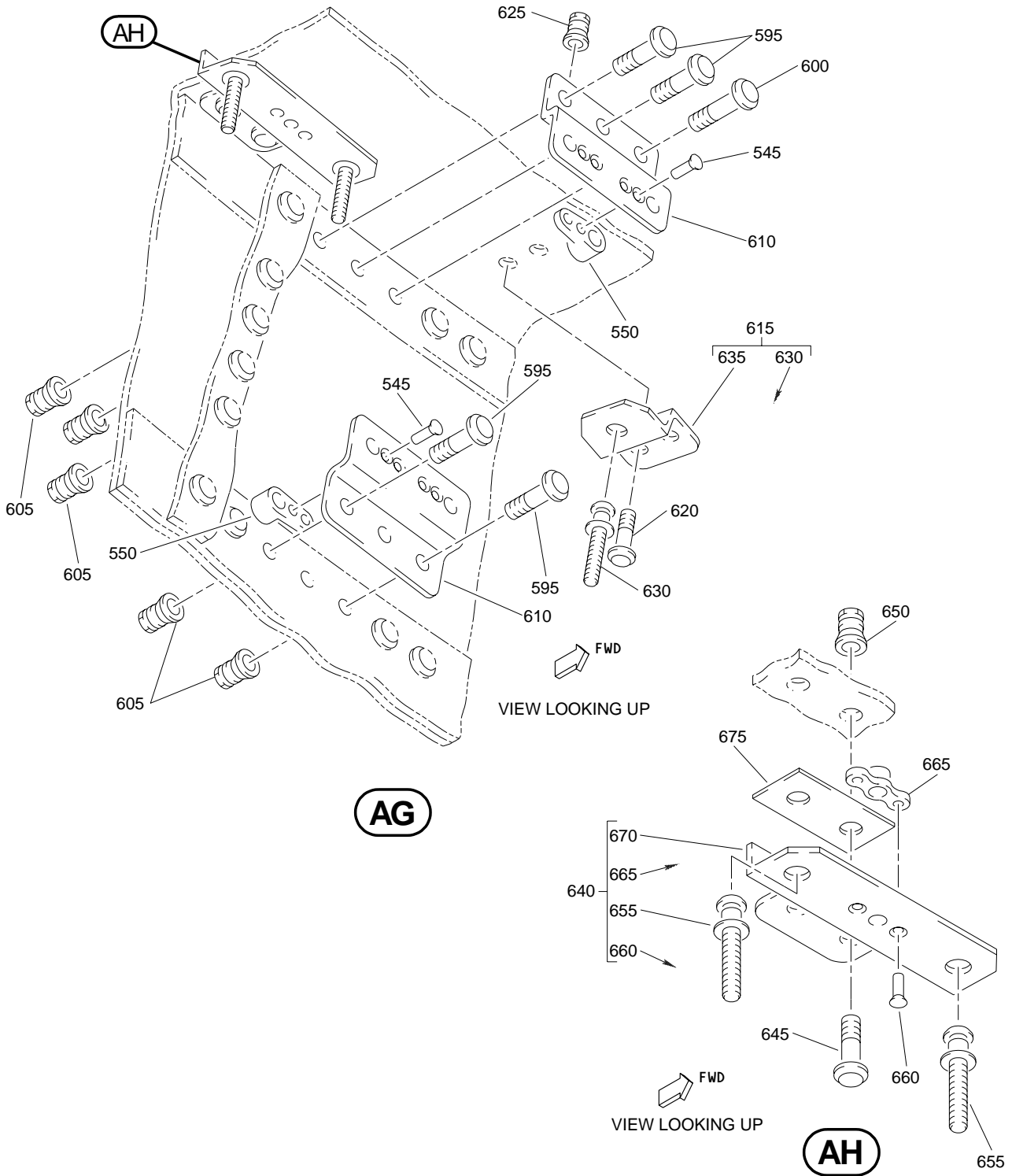


**AF**

Torque Box Installation  
Figure 25 (Sheet 17)

**71-11-56**

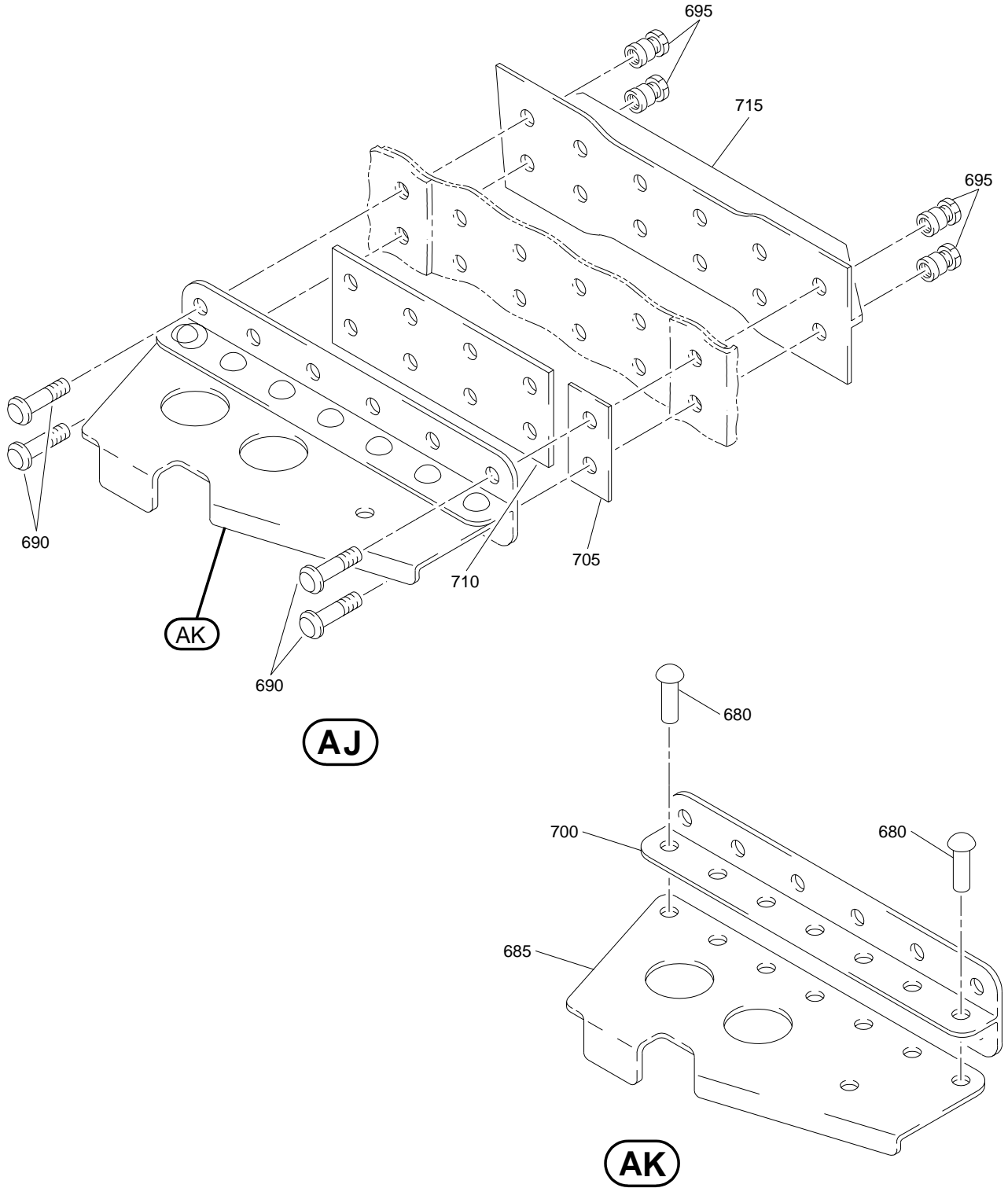
ILLUSTRATED PARTS LIST  
01.1 Page 1106I  
Nov 01/04



Torque Box Installation  
 Figure 25 (Sheet 18)

**71-11-56**

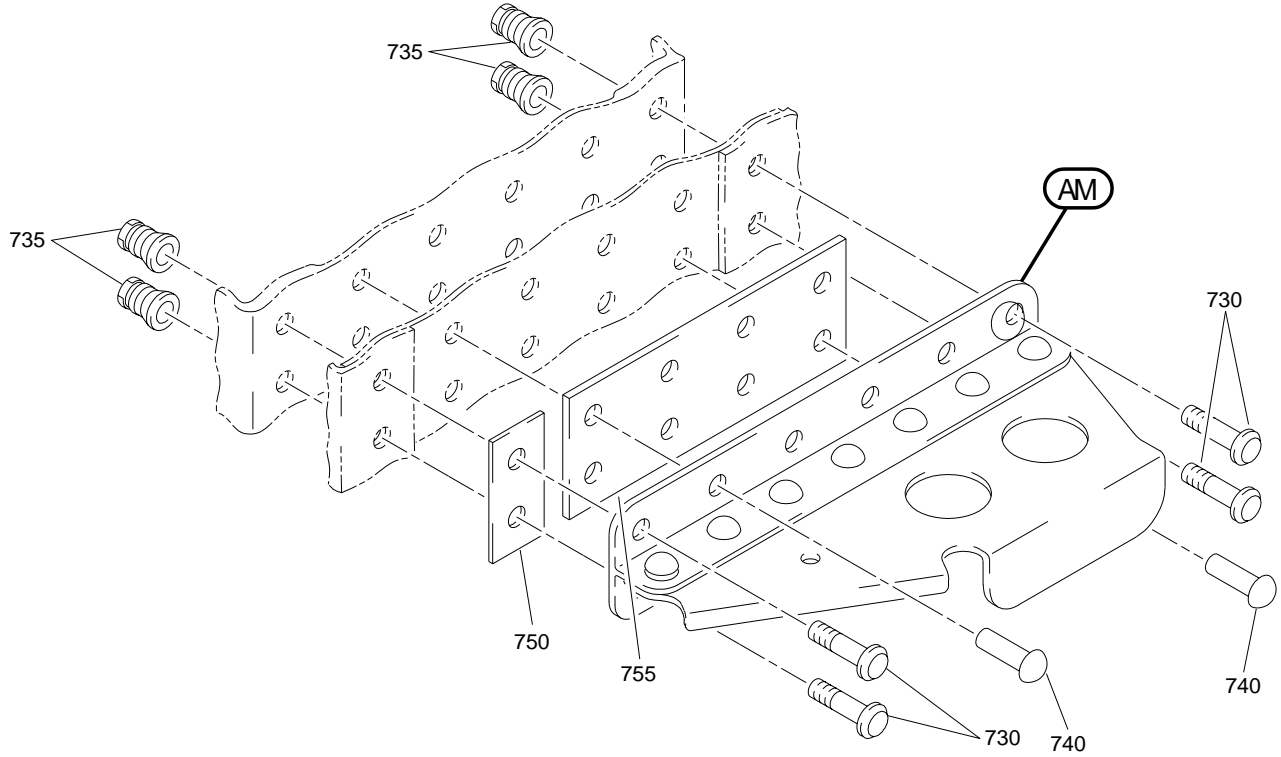
ILLUSTRATED PARTS LIST  
 01.1 Page 1106J  
 Nov 01/04



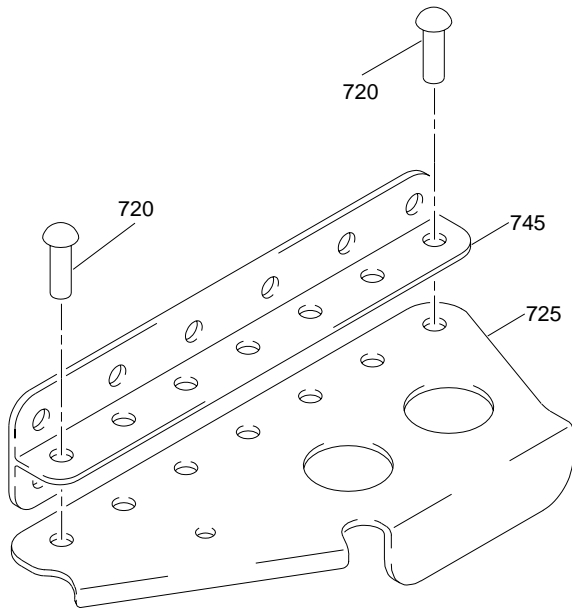
Torque Box Installation  
Figure 25 (Sheet 19)

**71-11-56**

ILLUSTRATED PARTS LIST  
01.1 Page 1106K  
Nov 01/04



**AL**

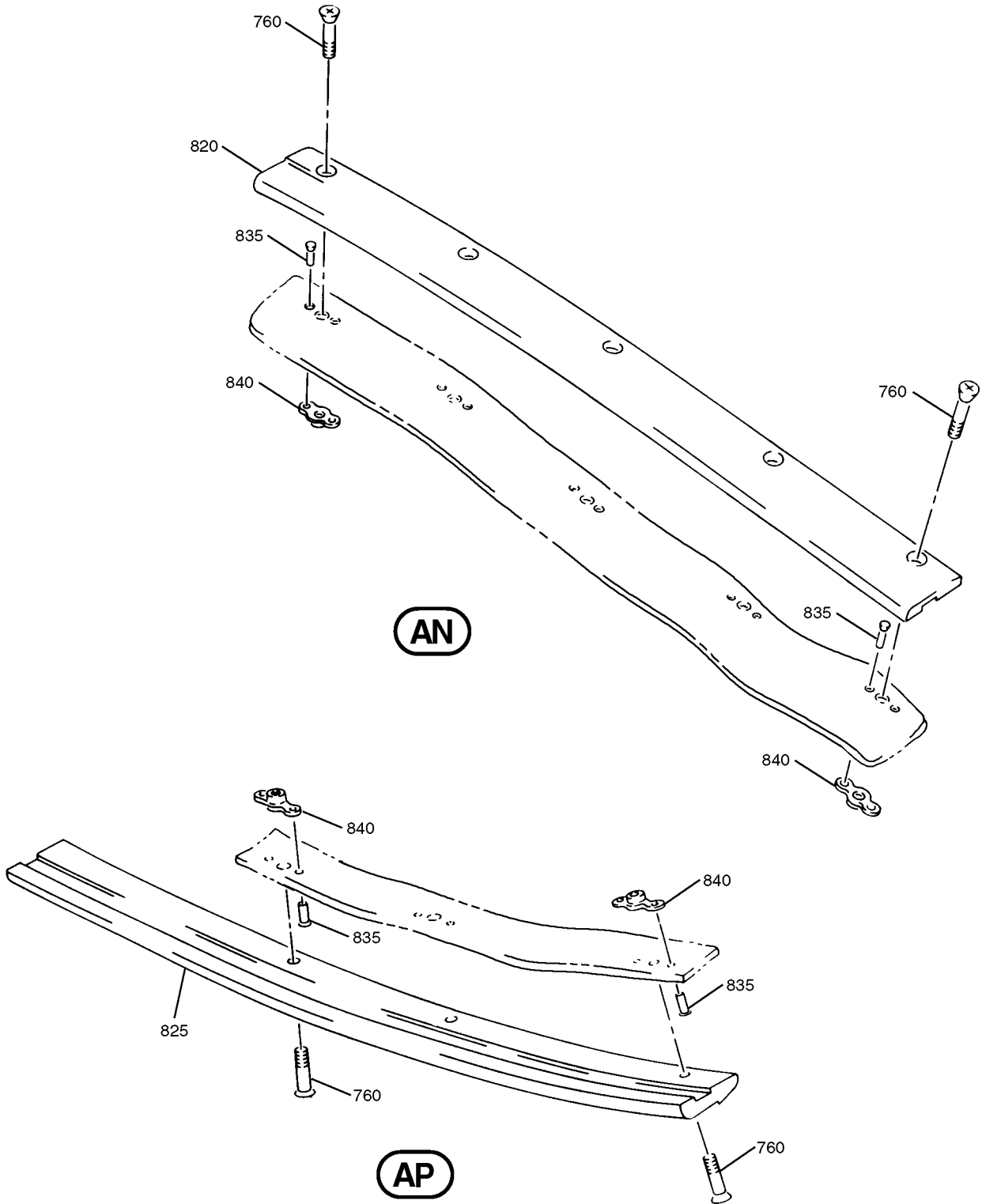


**AM**

Torque Box Installation  
Figure 25 (Sheet 20)

**71-11-56**

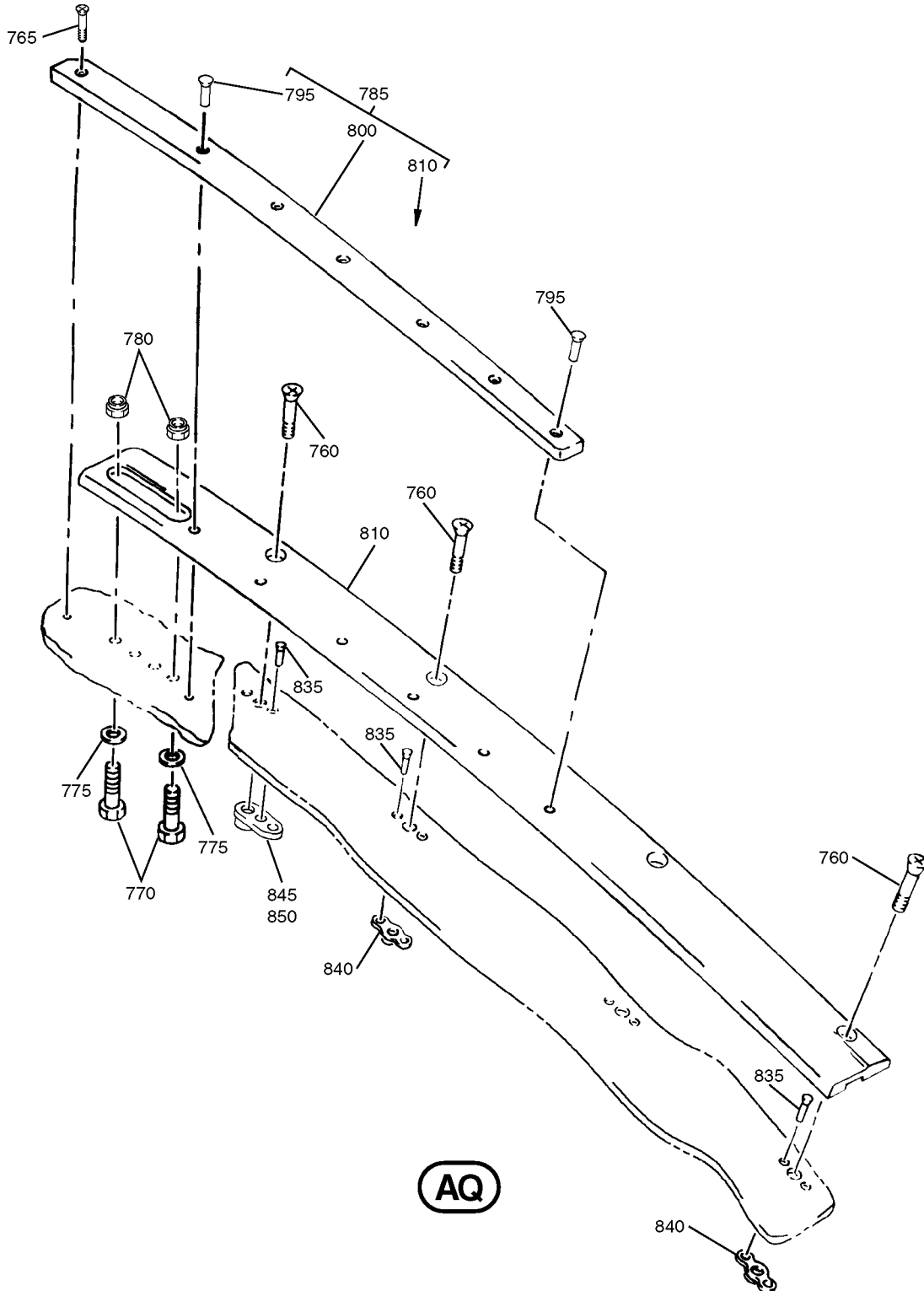
ILLUSTRATED PARTS LIST  
01.1 Page 1106L  
Nov 01/04



Torque Box Installation  
Figure 25 (Sheet 21)

**71-11-56**

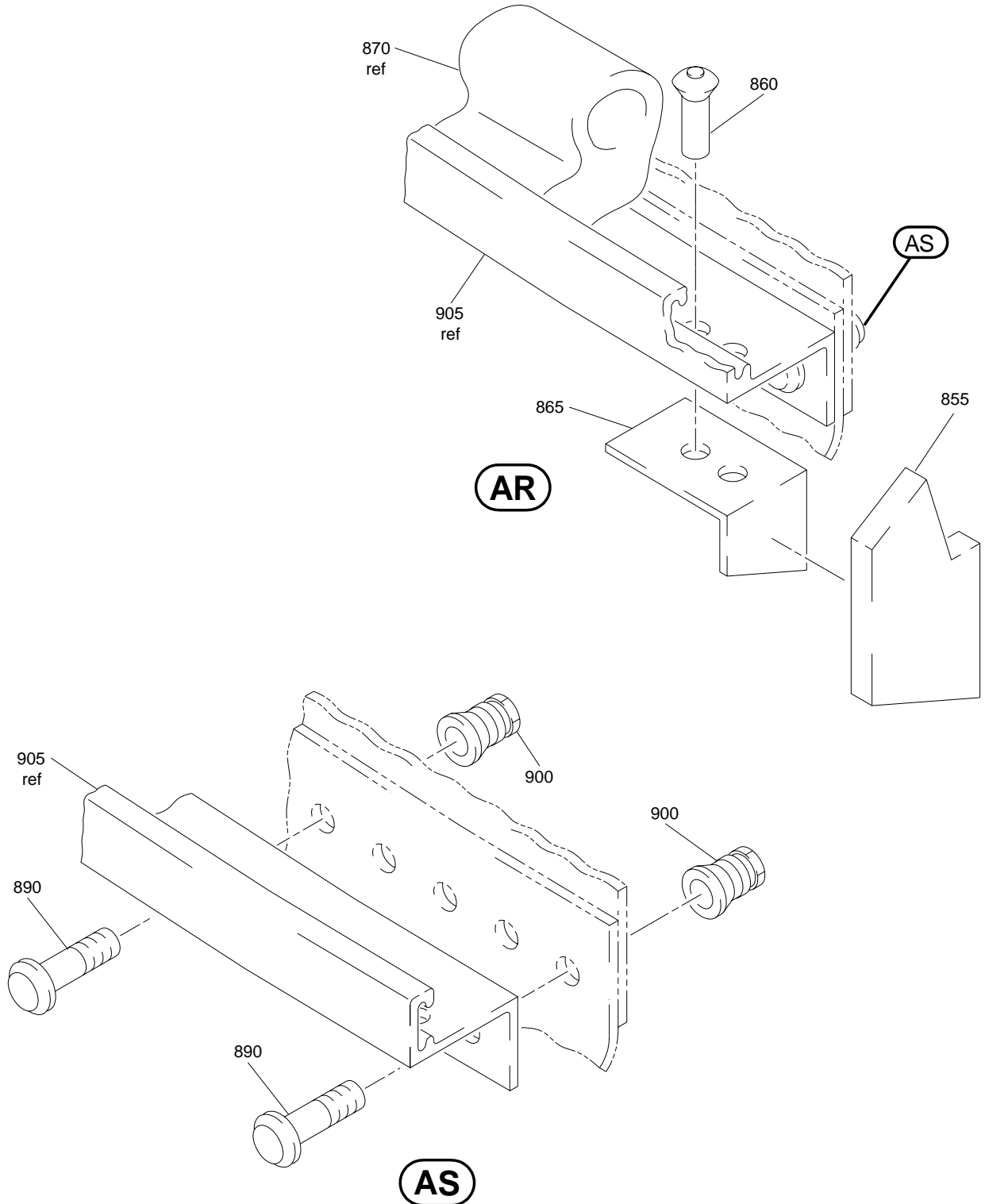
ILLUSTRATED PARTS LIST  
01.1 Page 1106M  
Nov 01/04



Torque Box Installation  
Figure 25 (Sheet 22)

**71-11-56**

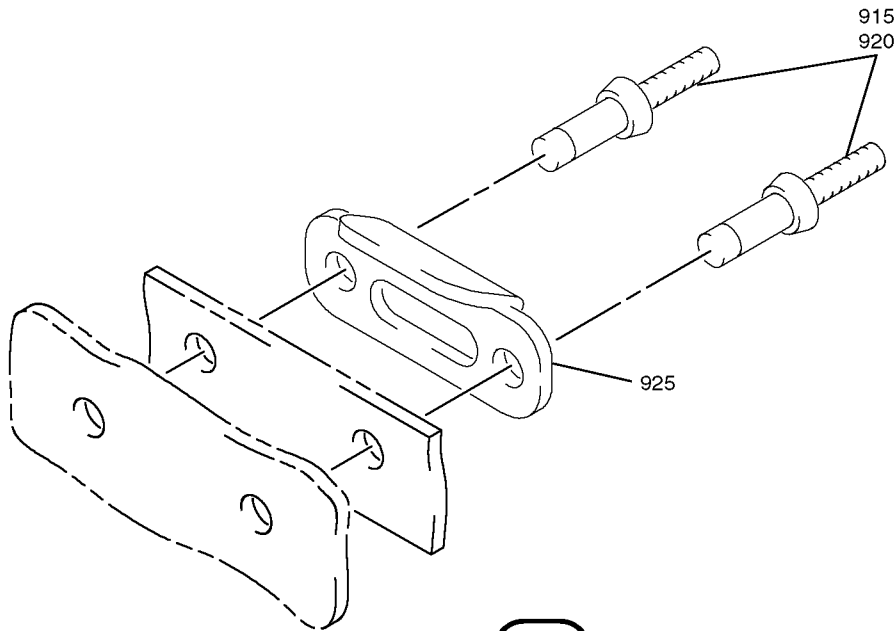
ILLUSTRATED PARTS LIST  
01.1 Page 1106N  
Nov 01/04



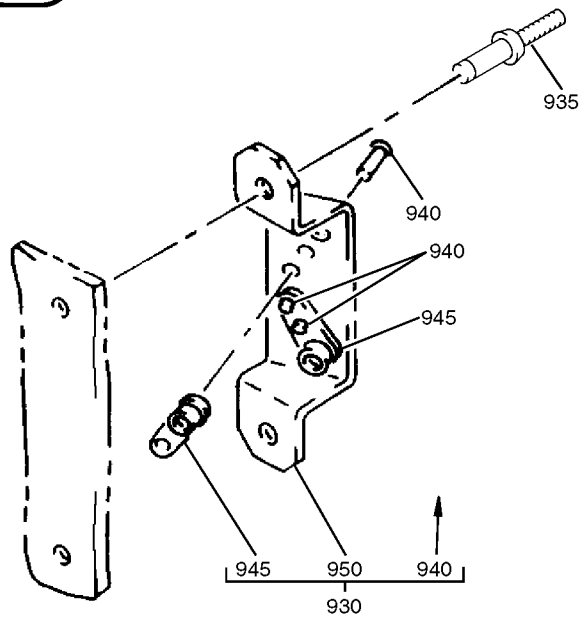
Torque Box Installation  
Figure 25 (Sheet 23)

**71-11-56**

ILLUSTRATED PARTS LIST  
01.1 Page 11060  
Nov 01/04



**AT**



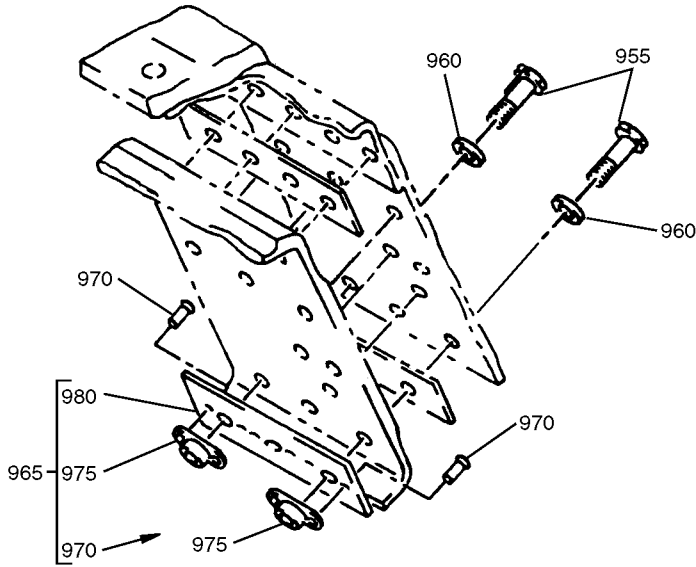
**AU**

Torque Box Installation  
Figure 25 (Sheet 24)

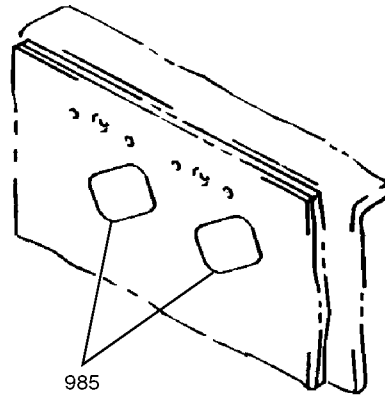
**71-11-56**

ILLUSTRATED PARTS LIST  
01.1 Page 1106P  
Nov 01/04





**AV**



**AW**

Torque Box Installation  
Figure 25 (Sheet 25)

**71-11-56**

ILLUSTRATED PARTS LIST  
01.1 Page 1106Q  
Nov 01/04

990

WARNING

DO NOT STAND BETWEEN THE FAN DUCT COWL AND THRUST REVERSER AND THE ENGINE UNLESS THE FAN DUCT COWL AND THRUST REVERSER IS SECURED WITH HOLD OPEN ROD. AN EXPOSED RED BAND WITH THE WORD "UNLOCKED" ON HOLD OPEN ROD INDICATES THE ROD IS NOT LOCKED. THE ROD MUST BE FULLY EXTENDED AND THE RED BAND MUST BE COVERED FOR THE ROD TO BE LOCKED. A SLING (LIFT) MUST BE USED PER MM78-31-00 IN ADDITION TO HOLD OPEN ROD WHEN HYDRAULIC COWL OPENING SYSTEM IS INOPERATIVE. TOOL A78001 MUST BE USED IN CONJUNCTION WITH HYDRAULIC COWL OPENING SYSTEM WHEN ENGINE IS NOT INSTALLED. SERIOUS OR FATAL INJURY MAY OCCUR IF FAN DUCT COWL AND THRUST REVERSER SWINGS SHUT.

**AX**

995

CAUTION

" THE INBOARD THRUST REVERSER HALVES MUST NOT BE OPENED UNLESS INBOARD LEADING EDGE SLATS ARE RETRACTED TO CRUISE POSITION AND PLACARDED AS FOLLOWS;

1. RETRACT INBOARD LEADING EDGE SLATS.
2. ATTACH DO-NOT-OPERATE IDENTIFIER TO FLAP CONTROL LEVER.
3. CHECK THAT ALTERNATE FLAP SLAT POSITION SELECTOR ON PILOTS P3-1 PANEL IS IN NORM POSITION AND ATTACH DO-NOT-OPERATE IDENTIFIER.

IF EXTENSIVE ENGINE WORK IS BEING ACCOMPLISHED, IT MAY BE DESIRABLE TO DEACTIVATE THE PRIMARY AND ALTERNATE LEADING EDGE DRIVE SYSTEMS PER MM 27-81-00 "

**AY**

Torque Box Installation  
Figure 25 (Sheet 26)

**71-11-56**

ILLUSTRATED PARTS LIST  
01.1 Page 1106R  
Nov 01/04



**BOEING**  
COMPONENT  
MAINTENANCE MANUAL

| FIG. & ITEM | PART NO.     | AIRLINE PART NUMBER | NOMENCLATURE<br>1234567  | EFF CODE | QTY PER ASSY |
|-------------|--------------|---------------------|--|----------|--------------|
| 25-<br>-1A  | 315T3202-265 |                     | BOX INSTL-TORQUE<br>(NHA 315T4295, REF<br>COLLECTOR CMM 78-31-47)<br>(NHA 315U4295, REF<br>COLLECTOR CMM 78-31-48) | DS,DT    | RF           |
| -1B         | 315T3202-267 |                     | BOX INSTL-TORQUE<br>(NHA 315T4295, REF<br>COLLECTOR CMM 78-31-47)<br>(NHA 315U4295, REF<br>COLLECTOR CMM 78-31-48) | DS,DT    | RF           |
| -1C         | 315T3202-269 |                     | BOX INSTL-TORQUE<br>(NHA 315U4295, REF<br>COLLECTOR CMM 78-31-48)  | DT       | RF           |
| -1D         | 315T3202-271 |                     | BOX INSTL-TORQUE<br>(NHA 315U4295, REF<br>COLLECTOR CMM 78-31-48)  | DT       | RF           |
| -1E         | 315T3202-273 |                     | BOX INSTL-TORQUE<br>(NHA 315U4295, REF<br>COLLECTOR CMM 78-31-48)  | DT       | RF           |
| -1F         | 315T3202-275 |                     | BOX INSTL-TORQUE<br>(NHA 315U4295, REF<br>COLLECTOR CMM 78-31-48)  | DT       | RF           |
| -1G         | 315T3202-277 |                     | BOX INSTL-TORQUE<br>(NHA 315T4295, REF<br>COLLECTOR CMM 78-31-47)  | DS       | RF           |
| -1H         | 315T3202-279 |                     | BOX INSTL-TORQUE<br>(NHA 315T4295, REF<br>COLLECTOR CMM 78-31-47)  | DS       | RF           |
| -1J         | 315T3202-281 |                     | BOX INSTL-TORQUE<br>(NHA 315U4295, REF<br>COLLECTOR CMM 78-31-48)  | DT       | RF           |
| -1K         | 315T3202-283 |                     | BOX INSTL-TORQUE<br>(NHA 315U4295, REF<br>COLLECTOR CMM 78-31-48)  | DT       | RF           |
| -1L         | 315T3202-285 |                     | BOX INSTL-TORQUE<br>(NHA 315U4295, REF<br>COLLECTOR CMM 78-31-48)  | DT       | RF           |
| -1M         | 315T3202-287 |                     | BOX INSTL-TORQUE<br>(NHA 315U4295, REF<br>COLLECTOR CMM 78-31-48)  | DT       | RF           |
| -1N         | 315T3202-289 |                     | BOX INSTL-TORQUE<br>(NHA 315T4295, REF<br>COLLECTOR CMM 78-31-47)  | DS       | RF           |

**71-11-56**

ILLUSTRATED PARTS LIST  
01.1 Page 1106S  
Nov 01/04

| FIG. & ITEM | PART NO.     | AIRLINE PART NUMBER | NOMENCLATURE<br>1234567  | EFF CODE | QTY PER ASSY |
|-------------|--------------|---------------------|--|----------|--------------|
| 25-<br>-1P  | 315T3202-291 |                     | BOX INSTL-TORQUE<br>(NHA 315T4295, REF<br>COLLECTOR CMM 78-31-47)  | DS       | RF           |
| -1Q         | 315T3202-301 |                     | BOX INSTL-TORQUE<br>(NHA 315T4295, REF<br>COLLECTOR CMM 78-31-47)  | DS       | RF           |
| -1R         | 315T3202-303 |                     | BOX INSTL-TORQUE<br>(NHA 315T4295, REF<br>COLLECTOR CMM 78-31-47)  | DS       | RF           |
| -5          | 315T3202-266 |                     | BOX INSTL-TORQUE<br>(NHA 315T4295, REF<br>COLLECTOR CMM 78-31-47)<br>(NHA 315U4295, REF<br>COLLECTOR CMM 78-31-48) | DU,DV    | RF           |
| -5A         | 315T3202-268 |                     | BOX INSTL-TORQUE<br>(NHA 315T4295, REF<br>COLLECTOR CMM 78-31-47)<br>(NHA 315U4295, REF<br>COLLECTOR CMM 78-31-48) | DU,DV    | RF           |
| -5B         | 315T3202-270 |                     | BOX INSTL-TORQUE<br>(NHA 315U4295, REF<br>COLLECTOR CMM 78-31-48)  | DV       | RF           |
| -5C         | 315T3202-272 |                     | BOX INSTL-TORQUE<br>(NHA 315U4295, REF<br>COLLECTOR CMM 78-31-48)  | DV       | RF           |
| -5D         | 315T3202-274 |                     | BOX INSTL-TORQUE<br>(NHA 315U4295, REF<br>COLLECTOR CMM 78-31-48)  | DV       | RF           |
| -5E         | 315T3202-276 |                     | BOX INSTL-TORQUE<br>(NHA 315U4295, REF<br>COLLECTOR CMM 78-31-48)  | DV       | RF           |
| -5F         | 315T3202-278 |                     | BOX INSTL-TORQUE<br>(NHA 315T4295, REF<br>COLLECTOR CMM 78-31-47)  | DU       | RF           |
| -5G         | 315T3202-280 |                     | BOX INSTL-TORQUE<br>(NHA 315T4295, REF<br>COLLECTOR CMM 78-31-47)  | DU       | RF           |
| -5H         | 315T3202-282 |                     | BOX INSTL-TORQUE<br>(NHA 315U4295, REF<br>COLLECTOR CMM 78-31-48)  | DV       | RF           |
| -5J         | 315T3202-284 |                     | BOX INSTL-TORQUE<br>(NHA 315U4295, REF<br>COLLECTOR CMM 78-31-48)  | DV       | RF           |

# 71-11-56

 ILLUSTRATED PARTS LIST  
 01.1 Page 1106T  
 Nov 01/04



**BOEING**  
COMPONENT  
MAINTENANCE MANUAL

| FIG. & ITEM | PART NO.        | AIRLINE PART NUMBER | NOMENCLATURE<br>1234567  | EFF CODE | QTY PER ASSY |
|-------------|-----------------|---------------------|--|----------|--------------|
| 25-<br>-5K  | 315T3202-286    |                     | BOX INSTL-TORQUE<br>(NHA 315U4295, REF<br>COLLECTOR CMM 78-31-48)  | DV       | RF           |
| -5L         | 315T3202-288    |                     | BOX INSTL-TORQUE<br>(NHA 315U4295, REF<br>COLLECTOR CMM 78-31-48)  | DV       | RF           |
| -5M         | 315T3202-290    |                     | BOX INSTL-TORQUE<br>(NHA 315T4295, REF<br>COLLECTOR CMM 78-31-47)  | DU       | RF           |
| -5N         | 315T3202-292    |                     | BOX INSTL-TORQUE<br>(NHA 315T4295, REF<br>COLLECTOR CMM 78-31-47)  | DU       | RF           |
| -10         | 315T3154-59     |                     | .BRACKET INSTL-<br>(USED ON ITEM 1A)<br>(FOR DETAILS SEE<br>FIG. 26)   | DS,DT    | 1            |
| -15         | 315T3154-60     |                     | .BRACKET INSTL-<br>(USED ON ITEM 5)<br>(FOR DETAILS SEE<br>FIG. 26)  | DU,DV    | 1            |
| 20          | BACS40R009B009F |                     | .SHIM  | DS-DV    | AR           |
| 25          | BACF3F009L046NN |                     | .FILLER  | DS-DV    | 1            |
| 30          | NAS1801-5-14    |                     | .BOLT  | DS-DV    | 1            |
| 35          | NAS1801-3-14    |                     | .SCREW   | DS-DV    | 1            |
| 40          | MS35338-45      |                     | .WASHER  | DS-DV    | 1            |
| 45          | MS35338-43      |                     | .WASHER  | DS-DV    | 1            |
| 50          | AN960D516L      |                     | .WASHER  | DS-DV    | 1            |
| 55          | AN960D10L       |                     | .WASHER  | DS-DV    | 1            |
| 60          | MS35650-3315T   |                     | .NUT   | DS-DV    | 1            |
| 65          | MS35650-305S    |                     | .NUT   | DS-DV    | 1            |
| 70          | BACB30MY6K5     |                     | .BOLT  | DS-DV    | 2            |
| 75          | HL79-6          |                     | .COLLAR-<br>(V5M902)<br>(SPEC BACC30M6)<br>(OPT HL79-6<br>(V73197))<br>(OPT HL79-6<br>(V92215))<br>(OPT 66014-6<br>(V56878))<br>(OPT HL79-6<br>(V56878)) | DS-DV    | 2            |
| 80          | 315T3202-193    |                     | .ANGLE   | DS,DT    | 1            |
| -85         | 315T3202-194    |                     | .ANGLE   | DU,DV    | 1            |
| 90          | 315T3634-28     |                     | .FITTING ASSY-ATTACH   | DS-DV    | 3            |

71-11-56

ILLUSTRATED PARTS LIST  
01.1 Page 1106U  
Nov 01/04

| FIG. & ITEM | PART NO.     | AIRLINE PART NUMBER | NOMENCLATURE<br>1234567  | EFF CODE | QTY PER ASSY |
|-------------|--------------|---------------------|--|----------|--------------|
| 25-95       | 315T3634-27  |                     | .FITTING ASSY-ATTACH ATTACHING PARTS   | DS-DV    | 3            |
| 100         | BACB30MY8K10 |                     | .BOLT  | DS-DV    | 12           |
| 105         | BACB30MY6K8  |                     | .BOLT  | DS-DV    | 8            |
| 110         | BACB30MY6K9  |                     | .BOLT  | DS-DV    | 4            |
| 115         | HL79-8       |                     | .COLLAR-<br>(V5M902)<br>(SPEC BACC30M8)<br>(OPT HL79-8<br>(V73197))<br>(OPT HL79-8<br>(V92215))<br>(OPT 66014-8<br>(V56878))<br>(OPT HL79-8<br>(V56878)) | DS-DV    | 12           |
| 120         | HL79-6       |                     | .COLLAR-<br>(V5M902)<br>(SPEC BACC30M6)<br>(OPT HL79-6<br>(V73197))<br>(OPT HL79-6<br>(V92215))<br>(OPT 66014-6<br>(V56878))<br>(OPT HL79-6<br>(V56878)) | DS-DV    | 12           |
| 125         | BACR15FT6D   |                     | .RIVET-<br>(SIZE DETERMINE ON INST)<br>(OPT ITEMS 125A, 125B)  | DS-DV    | 48           |
| -125A       | BACR15FT6KE  |                     | .RIVET-<br>(SIZE DETERMINE ON INST)<br>(OPT ITEMS 125, 125B)   | DS-DV    | 48           |
| -125B       | BACR15BB6D   |                     | .RIVET-<br>(SIZE DETERMINE ON INST)<br>(OPT ITEMS 125, 125A)<br>-----*   | DS-DV    | 48           |

# 71-11-56

 ILLUSTRATED PARTS LIST  
 01.1 Page 1106V  
 Nov 01/04



**BOEING**  
COMPONENT  
MAINTENANCE MANUAL

| FIG. & ITEM | PART NO.        | AIRLINE PART NUMBER | NOMENCLATURE<br>1234567  | EFF CODE | QTY PER ASSY |
|-------------|-----------------|---------------------|--|----------|--------------|
| 25-         |                 |                     |  |          |              |
| 130         | BACB28AP07P038  |                     | ..BUSHING  | DS-DV    | 1            |
| 135         | MS21209F4-10P   |                     | ..INSERT   | DS-DV    | 1            |
| 140         | 315T3634-30     |                     | ..FITTING-<br>(USED ON ITEM 90)  | DS-DV    | 1            |
| 145         | 315T3634-29     |                     | ..FITTING-<br>(USED ON ITEM 95)  | DS-DV    | 1            |
| 150         | BACS40R011C022F |                     | .SHIM  | DS-DV    | AR           |
| 155         | BACS40R017D033F |                     | .SHIM  | DS-DV    | AR           |
| 160         | BACS40R009C021F |                     | .SHIM  | DS-DV    | AR           |
| 165         | 315T3633-168    |                     | .BRACKET ASSY<br>ATTACHING PARTS   | DS-DV    | 3            |
| 170         | BACB30MY6K5     |                     | .BOLT  | DS-DV    | 8            |
| 175         | BACB30MY6K7     |                     | .BOLT  | DS-DV    | 4            |
| 180         | HL79-6          |                     | .COLLAR-<br>(V5M902)<br>(SPEC BACC30M6)<br>(OPT HL79-6<br>(V73197))<br>(OPT HL79-6<br>(V92215))<br>(OPT 66014-6<br>(V56878))<br>(OPT HL79-6<br>(V56878)) | DS-DV    | 12           |
| 185         | BACR15FT6D      |                     | .RIVET-<br>(SIZE DETERMINE ON INST)<br>(OPT ITEMS 185A, 185B)  | DS-DV    | 36           |
| -185A       | BACR15FT6KE     |                     | .RIVET-<br>(SIZE DETERMINE ON INST)<br>(OPT ITEMS 185, 185B)   | DS-DV    | 36           |
| -185B       | BACR15BB6D      |                     | .RIVET-<br>(SIZE DETERMINE ON INST)<br>(OPT ITEMS 185, 185A)<br>-----*   | DS-DV    | 36           |

71-11-56

ILLUSTRATED PARTS LIST  
01.1 Page 1106W  
Nov 01/04

| FIG. & ITEM | PART NO.        | AIRLINE PART NUMBER | NOMENCLATURE<br>1234567   | EFF CODE | QTY PER ASSY |
|-------------|-----------------|---------------------|---|----------|--------------|
| 25-190      | BACR15BB5AD     |                     | ..RIVET-<br>(SIZE DETERMINE ON INST)                                | DS-DV    | 25           |
| 195         | 315T3633-157    |                     | ..BRACKET   | DS-DV    | 1            |
| 200         | 315T3633-158    |                     | ..BRACKET   | DS-DV    | 1            |
| 205         | 315T3633-3      |                     | ..BRACKET   | DS-DV    | 1            |
| 210         | 315T3633-36     |                     | ..BRACKET   | DS-DV    | 1            |
| 215         | 315T3633-39     |                     | ..BRACKET   | DS-DV    | 1            |
| 220         | BACS40R009B009F |                     | .SHIM   | DS-DV    | AR           |
| 225         | BACF3F009L046NN |                     | .FILLER   | DS-DV    | 6            |
| 230         | 315T3633-171    |                     | .BRACKET ASSY-<br>(USED ON ITEM 1A)<br>(FOR DETAILS SEE<br>FIG. 24) | DS,DT    | 1            |
| -235        | 315T3633-172    |                     | .BRACKET ASSY-<br>(USED ON ITEM 5)<br>(FOR DETAILS SEE<br>FIG. 24)  | DU,DV    | 1            |

# 71-11-56

 ILLUSTRATED PARTS LIST  
 01.1 Page 1106X  
 Nov 01/04



 **BOEING**  
COMPONENT  
MAINTENANCE MANUAL

| FIG. & ITEM | PART NO.     | AIRLINE PART NUMBER | NOMENCLATURE<br>1234567   | EFF CODE | QTY PER ASSY |
|-------------|--------------|---------------------|---|----------|--------------|
| 25-         |              |                     | ATTACHING PARTS   |          |              |
| 240         | BACB30MY6K12 |                     | .BOLT-<br>(USED ON ITEMS 1A, 5)   | DS-DV    | 2            |
| 245         | HL1012AZ6-12 |                     | .BOLT-<br>(V97928)<br>(SPEC BACB30NX6K12)<br>(OPT L802-6K12<br>(V06725))<br>(OPT HL12VAZ6-12<br>(V73197))<br>(OPT HL12VAZ6-12<br>(V92215))<br>(OPT HL12VAZ6-12<br>(V97928))<br>(OPT HL12VAZ6-12<br>(V56878))<br>(OPT HL1012AZ6-12<br>(V0PTK6))<br>(OPT HL1012AZ6-12<br>(V06725))<br>(OPT HL1012AZ6-12<br>(V06950))<br>(OPT HL1012AZ6-12<br>(V17446))<br>(OPT HL1012AZ6-12<br>(V56878))<br>(OPT HL1012AZ6-12<br>(V60516))<br>(OPT HL1012AZ6-12<br>(V73197))<br>(USED ON ITEMS 1A, 5) | DS-DV    | 2            |
| 250         | 315T3202-43  |                     | .FILLER-<br>(USED ON ITEMS 1A, 5)   | DS-DV    | 4            |
| 255         | 315T3202-202 |                     | .FILLER-<br>(USED ON ITEMS 1A, 5)   | DS-DV    | 1            |
| 260         | 315T3202-44  |                     | .FILLER-<br>(USED ON ITEMS 1A, 5)   | DS-DV    | 3            |

71-11-56

ILLUSTRATED PARTS LIST  
01.1 Page 1106Y  
Nov 01/04

| FIG. & ITEM | PART NO.    | AIRLINE PART NUMBER | NOMENCLATURE<br>1234567   | EFF CODE | QTY PER ASSY |
|-------------|-------------|---------------------|---|----------|--------------|
| 25-265      | HL79-6      |                     | .COLLAR-<br>(V5M902)<br>(SPEC BACC30M6)<br>(OPT HL79-6<br>(V73197))<br>(OPT HL79-6<br>(V92215))<br>(OPT 66014-6<br>(V56878))<br>(OPT HL79-6<br>(V56878))<br>(USED ON ITEMS 1A, 5)   | DS-DV    | 2            |
| 270         | HL1187DU6   |                     | .COLLAR-<br>(V5M902)<br>(SPEC BACC30X6S)<br>(OPT HL87DU6<br>(V92215))<br>(OPT HL87DU6<br>(V73197))<br>(OPT HL1187DU6<br>(V56878))<br>(OPT HL1187DU6<br>(V92215))<br>(OPT HL87DU6<br>(V56878))<br>(OPT HL1187DU6<br>(V73197))<br>(USED ON ITEMS 1A, 5) | DS-DV    | 2            |
| 275         | BACR15FT6D  |                     | .RIVET-<br>(SIZE DETERMINE ON INST)<br>(OPT ITEMS 275A, 275B)<br>(USED ON ITEMS 1A, 5)  | DS-DV    | 18           |
| -275A       | BACR15FT6KE |                     | .RIVET-<br>(SIZE DETERMINE ON INST)<br>(OPT ITEMS 275, 275B)<br>(USED ON ITEMS 1A, 5)   | DS-DV    | 18           |
| -275B       | BACR15BB6D  |                     | .RIVET-<br>(SIZE DETERMINE ON INST)<br>(OPT ITEMS 275, 275A)<br>(USED ON ITEMS 1A, 5)<br>-----*   | DS-DV    | 18           |

# 71-11-56

 ILLUSTRATED PARTS LIST  
 01.1 Page 1106Z  
 Nov 01/04

**BOEING**  
COMPONENT  
MAINTENANCE MANUAL

| FIG. & ITEM | PART NO.     | AIRLINE PART NUMBER | NOMENCLATURE<br>1234567   | EFF CODE | QTY PER ASSY |
|-------------|--------------|---------------------|---|----------|--------------|
| 25-280      | BACR15BB6AD  |                     | ..RIVET-<br>(SIZE DETERMINE ON INST)  | DS-DV    | 10           |
| 285         | BACR15CE6KE  |                     | ..RIVET-<br>(SIZE DETERMINE ON INST)  | DS-DV    | 1            |
| 290         | 315T3633-109 |                     | ..ANGLE   | DS,DT    | 1            |
| -295        | 315T3633-110 |                     | ..ANGLE   | DU,DV    | 1            |
| 300         | 315T3633-91  |                     | ..BRACKET   | DS,DT    | 1            |
| -305        | 315T3633-92  |                     | ..BRACKET   | DU,DV    | 1            |
| 310         | 315T3633-85  |                     | ..BRACKET   | DS,DT    | 1            |
| -315        | 315T3633-86  |                     | ..BRACKET   | DU,DV    | 1            |
| 320         | 315T3633-87  |                     | ..BRACKET   | DS,DT    | 1            |
| -325        | 315T3633-88  |                     | ..BRACKET   | DU,DV    | 1            |
| 330         | 315T3633-89  |                     | ..BRACKET   | DS-DV    | 1            |
| 335         | 315T3633-90  |                     | ..BRACKET   | DS-DV    | 1            |
| 340         | 315T3633-96  |                     | ..FILLER  | DS-DV    | 1            |
| 345         | 315T3633-97  |                     | ..FILLER  | DS-DV    | 1            |
| 350         | 315T3633-93  |                     | ..BRACKET   | DS-DV    | 1            |
| 355         | 315T3662-1   |                     | ..FITTING-ATTACH  | DS-DV    | 1            |
| 360         | 315T3633-165 |                     | ..BRACKET   | DS,DT    | 1            |
| -365        | 315T3633-166 |                     | ..BRACKET   | DU,DV    | 1            |
| 370         | 315T3633-84  |                     | ..BRACKET   | DS,DT    | 1            |
| -375        | 315T3633-169 |                     | ..BRACKET   | DU,DV    | 1            |
| 380         | 315T3633-81  |                     | ..BRACKET   | DS-DV    | 1            |
| 385         | 315T3633-82  |                     | ..BRACKET   | DS-DV    | 1            |
| 390         | 315T3633-98  |                     | ..STIFFENER ASSY  | DS-DV    | 1            |
| 395         | BACR15BA3AD  |                     | ...RIVET-<br>(SIZE DETERMINE ON INST)   | DS-DV    | 4            |
| 400         | BRF200C3M    |                     | ...NUTPLATE-<br>(V52828)<br>(SPEC BACN10JR3CFM)<br>(OPT F5001-3BAC<br>(V15653))<br>(OPT NS103203SE02<br>(V80539))<br>(OPT VN152D1-02<br>(V92215))<br>(OPT 109F9201-3<br>(V72962))<br>(OPT T8092C1032<br>(V11815)) | DS-DV    | 2            |

71-11-56

ILLUSTRATED PARTS LIST  
01.1 Page 1107  
Nov 01/04

| FIG. & ITEM | PART NO.        | AIRLINE PART NUMBER | NOMENCLATURE<br>1234567  | EFF CODE | QTY PER ASSY |
|-------------|-----------------|---------------------|--------------------------|----------|--------------|
| 25-         |                 |                     |                          |          |              |
| 405         | 315T3633-99     |                     | ...STIFFENER             | DS-DV    | 1            |
| 410         | BACS40R009B072F |                     | .SHIM                    | DS-DV    | AR           |
| 415         | 315T3633-149    |                     | .BRACKET ASSY            | DS,DT    | 1            |
| -420        | 315T3633-150    |                     | .BRACKET ASSY            | DU,DV    | 1            |
|             |                 |                     | ATTACHING PARTS          |          |              |
| 425         | BACB30MY6K5     |                     | .BOLT                    | DS-DV    | 4            |
| 430         | HL79-6          |                     | .COLLAR-                 | DS-DV    | 4            |
|             |                 |                     | (V5M902)                 |          |              |
|             |                 |                     | (SPEC BACC30M6)          |          |              |
|             |                 |                     | (OPT HL79-6              |          |              |
|             |                 |                     | (V73197))                |          |              |
|             |                 |                     | (OPT HL79-6              |          |              |
|             |                 |                     | (V92215))                |          |              |
|             |                 |                     | (OPT 66014-6             |          |              |
|             |                 |                     | (V56878))                |          |              |
|             |                 |                     | (OPT HL79-6              |          |              |
|             |                 |                     | (V56878))                |          |              |
| 435         | BACR15FT6D      |                     | .RIVET-                  | DS-DV    | 8            |
|             |                 |                     | (SIZE DETERMINE ON INST) |          |              |
|             |                 |                     | (OPT ITEMS 435A, 435B)   |          |              |
| -435A       | BACR15FT6KE     |                     | .RIVET-                  | DS-DV    | 8            |
|             |                 |                     | (SIZE DETERMINE ON INST) |          |              |
|             |                 |                     | (OPT ITEMS 435, 435B)    |          |              |
| -435B       | BACR15BB6D      |                     | .RIVET-                  | DS-DV    | 8            |
|             |                 |                     | (SIZE DETERMINE ON INST) |          |              |
|             |                 |                     | (OPT ITEMS 435, 435A)    |          |              |
|             |                 |                     | -----*                   |          |              |
| 440         | BACR15BB3AD     |                     | ..RIVET-                 | DS-DV    | 4            |
|             |                 |                     | (SIZE DETERMINE ON INST) |          |              |
| 445         | BRF100C4M       |                     | ..NUTPLATE-              | DS-DV    | 2            |
|             |                 |                     | (V52828)                 |          |              |
|             |                 |                     | (SPEC BACN10KB4CFM)      |          |              |
|             |                 |                     | (OPT NS103185SE048       |          |              |
|             |                 |                     | (V80539))                |          |              |
|             |                 |                     | (OPT T8113C428C          |          |              |
|             |                 |                     | (V11815))                |          |              |
|             |                 |                     | (OPT VN151D1-048         |          |              |
|             |                 |                     | (V92215))                |          |              |
|             |                 |                     | (OPT 109F9207-4          |          |              |
|             |                 |                     | (V72962))                |          |              |
|             |                 |                     | (OPT F2001-4             |          |              |
|             |                 |                     | (V15653))                |          |              |

# 71-11-56

 ILLUSTRATED PARTS LIST  
 01.1 Page 1108  
 Nov 01/04

 **BOEING**  
COMPONENT  
MAINTENANCE MANUAL

| FIG. & ITEM | PART NO.        | AIRLINE PART NUMBER | NOMENCLATURE<br>1234567  | EFF CODE | QTY PER ASSY |
|-------------|-----------------|---------------------|--|----------|--------------|
| 25-<br>450  | BACR15BB6AD     |                     | ..RIVET-<br>(SIZE DETERMINE ON INST)   | DS-DV    | 35           |
| 455         | 315T3633-119    |                     | ..BRACKET  | DS,DT    | 1            |
| -460        | 315T3633-120    |                     | ..BRACKET  | DU,DV    | 1            |
| 465         | 315T3633-117    |                     | ..SUPPORT  | DS,DT    | 1            |
| -470        | 315T3633-118    |                     | ..SUPPORT  | DU,DV    | 1            |
| 475         | 315T3633-145    |                     | ..BRACKET  | DS,DT    | 1            |
| -480        | 315T3633-146    |                     | ..BRACKET  | DU,DV    | 1            |
| 485         | 315T3633-43     |                     | ..SUPPORT  | DS,DT    | 1            |
| -490        | 315T3633-44     |                     | ..SUPPORT  | DU,DV    | 1            |
| 495         | 315T3633-45     |                     | ..SUPPORT  | DS,DT    | 1            |
| -500        | 315T3633-46     |                     | ..SUPPORT  | DU,DV    | 1            |
| 505         | 315T3633-137    |                     | ..BRACKET  | DS-DV    | 1            |
| 510         | 315T3633-136    |                     | ..BRACKET  | DS-DV    | 1            |
| 515         | 315T3633-76     |                     | ..BRACKET  | DS-DV    | 1            |
| 520         | 315T3633-75     |                     | ..BRACKET  | DS-DV    | 1            |
| 525         | 315T3633-151    |                     | ..BRACKET  | DS,DT    | 1            |
| -530        | 315T3633-152    |                     | ..BRACKET  | DU,DV    | 1            |
| 535         | BACS40R009B009F |                     | .SHIM  | DS-DV    | AR           |
| 540         | BACF3F009L046NN |                     | .FILLER  | DS-DV    | 2            |
| 545         | BACR15BA3AD     |                     | .RIVET-<br>(SIZE DETERMINE ON INST)  | DS-DV    | 8            |
| 550         | BRF100C3D       |                     | .NUTPLATE-<br>(V52828)<br>(SPEC BACN10KB3CFD)<br>(OPT NS202478-02<br>(V80539))<br>(OPT 102F9207P3<br>(V72962))<br>(OPT F51604-3<br>(V15653)) | DS-DV    | 4            |

71-11-56

ILLUSTRATED PARTS LIST  
01.1 Page 1108A  
Nov 01/04

| FIG. & ITEM       | PART NO.                    | AIRLINE PART NUMBER | NOMENCLATURE<br>1234567  | EFF CODE       | QTY PER ASSY |
|-------------------|-----------------------------|---------------------|--|----------------|--------------|
| 25-<br>555<br>560 | BACB30MY6K4<br>HL79-6       |                     | .BOLT<br>.COLLAR-<br>(V5M902)<br>(SPEC BACC30M6)<br>(OPT HL79-6<br>(V73197))<br>(OPT HL79-6<br>(V92215))<br>(OPT 66014-6<br>(V56878))<br>(OPT HL79-6<br>(V56878))                | DS,DT<br>DS,DT | 6<br>6       |
| 565<br>570        | 315T3202-156<br>315T4726-15 |                     | .BRACKET<br>.BRACKET ASSY-<br>(OPT ITEM 570A)  | DS,DT<br>DS,DT | 2<br>1       |
| -570A             | 315T4733-11                 |                     | .BRACKET ASSY-<br>(OPT ITEM 570)<br>ATTACHING PARTS  | DS,DT          | 1            |
| 575<br>580        | BACB30MY5K3<br>HL70-5       |                     | .BOLT<br>.COLLAR-<br>(V5M902)<br>(SPEC BACC30M5)<br>(OPT HL70-5<br>(V73197))<br>(OPT HL70-5<br>(V92215))<br>(OPT 66014-5<br>(V56878))<br>(OPT HL70-5<br>(V56878))<br>-----*----- | DS,DT<br>DS,DT | 2<br>2       |
| 585               | VNS1924CA1-8                |                     | ..STUD-<br>(V5M902)<br>(SPEC BACS53B1EA1)<br>(OPT VNS1924CA3-1-8<br>(V92215))  | DS,DT          | 1            |
| 590               | 315T4726-16                 |                     | ..BRACKET-<br>(USED ON ITEM 570)   | DS,DT          | 1            |
| -590A             | 315T4733-13                 |                     | ..BRACKET-<br>(USED ON ITEM 570A)  | DS,DT          | 1            |
| 595               | BACB30MY6K4                 |                     | .BOLT  | DU,DV          | 5            |

# 71-11-56

 ILLUSTRATED PARTS LIST  
 01.1 Page 1108B  
 Nov 01/04

 **BOEING**  
COMPONENT  
MAINTENANCE MANUAL

| FIG. & ITEM | PART NO.     | AIRLINE PART NUMBER | NOMENCLATURE<br>1234567  | EFF CODE | QTY PER ASSY |
|-------------|--------------|---------------------|--|----------|--------------|
| 25-600      | BACB30MY6K5  |                     | .BOLT  | DU,DV    | 1            |
| 605         | HL79-6       |                     | .COLLAR-<br>(V5M902)<br>(SPEC BACC30M6)<br>(OPT HL79-6<br>(V73197))<br>(OPT HL79-6<br>(V92215))<br>(OPT 66014-6<br>(V56878))<br>(OPT HL79-6<br>(V56878))           | DU,DV    | 1            |
| 610         | 315T3202-156 |                     | .BRACKET   | DU,DV    | 2            |
| 615         | 315T4726-15  |                     | .BRACKET ASSY-<br>(OPT ITEM 615A)  | DU,DV    | 1            |
| -615A       | 315T4733-11  |                     | .BRACKET ASSY-<br>(OPT ITEM 615)<br>ATTACHING PARTS  | DU,DV    | 1            |
| 620         | BACB30MY5K3  |                     | .BOLT  | DU,DV    | 2            |
| 625         | HL70-5       |                     | .COLLAR-<br>(V5M902)<br>(SPEC BACC30M5)<br>(OPT HL70-5<br>(V73197))<br>(OPT HL70-5<br>(V92215))<br>(OPT 66014-5<br>(V56878))<br>(OPT HL70-5<br>(V56878))<br>-----* | DU,DV    | 2            |
| 630         | VNS1924CA1-8 |                     | ..STUD-<br>(V5M902)<br>(SPEC BACS53B1EA1)<br>(OPT VNS1924CA3-1-8<br>(V92215))  | DU,DV    | 1            |
| 635         | 315T4726-16  |                     | ..BRACKET-<br>(USED ON ITEM 615)   | DU,DV    | 1            |
| -635A       | 315T4733-13  |                     | ..BRACKET-<br>(USED ON ITEM 615A)  | DU,DV    | 1            |
| 640         | 315T4726-10  |                     | .BRACKET ASSY-<br>(OPT ITEM 640A)  | DS-DV    | 1            |

**71-11-56**

ILLUSTRATED PARTS LIST  
01.1 Page 1108C  
Nov 01/04

| FIG. & ITEM  | PART NO.                      | AIRLINE PART NUMBER | NOMENCLATURE<br>1234567  | EFF CODE       | QTY PER ASSY |
|--------------|-------------------------------|---------------------|--|----------------|--------------|
| 25-<br>-640A | 315T4733-12                   |                     | .BRACKET ASSY-<br>(OPT ITEM 640)<br>ATTACHING PARTS  | DS-DV          | 1            |
| 645<br>650   | BACB30MY6K4<br>HL79-6         |                     | .BOLT<br>.COLLAR-<br>(V5M902)<br>(SPEC BACC30M6)<br>(OPT HL79-6<br>(V73197))<br>(OPT HL79-6<br>(V92215))<br>(OPT 66014-6<br>(V56878))<br>(OPT HL79-6<br>(V56878))<br>-----*  | DS-DV<br>DS-DV | 2<br>2       |
| 655          | VNS1924CA1-8                  |                     | ..STUD-<br>(V5M902)<br>(SPEC BACS53B1EA1)<br>(OPT VNS1924CA3-1-8<br>(V92215))  | DS-DV          | 2            |
| 660<br>665   | BACR15BA3AD3<br>BR2000C3M     |                     | ..RIVET<br>..NUTPLATE-<br>(V52828)<br>(SPEC BACN10JR3CM)<br>(OPT K1001-3BAC<br>(V15653))<br>(OPT NS103202SE02<br>(V80539))<br>(OPT VN102D1-02<br>(V92215))<br>(OPT 109A9201-3<br>(V72962))<br>(OPT T8089C1032<br>(V11815)) | DS-DV<br>DS-DV | 2<br>1       |
| 670          | 315T4726-12                   |                     | ..BRACKET-<br>(USED ON ITEM 640)   | DS-DV          | 1            |
| -670A        | 315T4733-14                   |                     | ..BRACKET-<br>(USED ON ITEM 640A)  | DS-DV          | 1            |
| 675<br>680   | BACS40R008B017F<br>BACR15BB6D |                     | .SHIM<br>.RIVET-<br>(SIZE DETERMINE ON INST)   | DS-DV<br>DS,DT | 1<br>7       |
| 685          | 315T3202-157                  |                     | .SUPPORT-RCPT  | DS,DT          | 1            |

# 71-11-56

 ILLUSTRATED PARTS LIST  
 01.1 Page 1108D  
 Nov 01/04





**BOEING**  
COMPONENT  
MAINTENANCE MANUAL

| FIG. & ITEM | PART NO.        | AIRLINE PART NUMBER | NOMENCLATURE<br>1234567   | EFF CODE | QTY PER ASSY |
|-------------|-----------------|---------------------|---|----------|--------------|
| 25-690      | HL1012AZ6-6     |                     | .BOLT-<br>(V97928)<br>(SPEC BACB30NX6K6)<br>(OPT HL12VAZ6-6 (V73197))<br>(OPT HL12VAZ6-6 (V92215))<br>(OPT HL12VAZ6-6 (V97928))<br>(OPT L802-6K6 (V06725))<br>(OPT HL12VAZ6-6 (V56878))<br>(OPT HL1012AZ6-6 (V0PTK6))<br>(OPT HL1012AZ6-6 (V06725))<br>(OPT HL1012AZ6-6 (V06950))<br>(OPT HL1012AZ6-6 (V17446))<br>(OPT HL1012AZ6-6 (V56878))<br>(OPT HL1012AZ6-6 (V60516))<br>(OPT HL1012AZ6-6 (V73197)) | DS,DT    | 12           |
| 695         | HL1187DU6       |                     | .COLLAR-<br>(V5M902)<br>(SPEC BACC30X6S)<br>(OPT HL87DU6 (V92215))<br>(OPT HL87DU6 (V73197))<br>(OPT HL1187DU6 (V56878))<br>(OPT HL1187DU6 (V92215))<br>(OPT HL87DU6 (V56878))<br>(OPT HL1187DU6 (V73197))  | DS,DT    | 12           |
| 700         | 315T3202-151    |                     | .ANGLE-SPRT   | DS,DT    | 1            |
| 705         | BACS40R010B022F |                     | .SHIM   | DS,DT    | AR           |
| 710         | BACF3F021L040NE |                     | .FILLER   | DS,DT    | 1            |

71-11-56

| FIG. & ITEM | PART NO.        | AIRLINE PART NUMBER | NOMENCLATURE<br>1234567   | EFF CODE | QTY PER ASSY |
|-------------|-----------------|---------------------|---|----------|--------------|
| 25-         |                 |                     |   |          |              |
| 715         | 315T3202-105    |                     | .TEE  | DS,DT    | 1            |
| 720         | BACR15BB6D      |                     | .RIVET-<br>(SIZE DETERMINE ON INST)   | DU,DV    | 7            |
| 725         | 315T3202-158    |                     | .SUPPORT-RCPT   | DU,DV    | 1            |
| 730         | BACB30MY6K8     |                     | .BOLT   | DU,DV    | 4            |
| 735         | HL79-6          |                     | .COLLAR-<br>(V5M902)<br>(SPEC BACC30M6)<br>(OPT HL79-6<br>(V73197))<br>(OPT HL79-6<br>(V92215))<br>(OPT 66014-6<br>(V56878))<br>(OPT HL79-6<br>(V56878))  | DU,DV    | 4            |
| 740         | BACR15FT6KE     |                     | .RIVET-<br>(SIZE DETERMINE ON INST)   | DU,DV    | 8            |
| 745         | 315T3202-152    |                     | .ANGLE-SPRT   | DU,DV    | 1            |
| 750         | BACS40R009B017F |                     | .SHIM   | DU,DV    | AR           |
| 755         | BACF3F017L044NE |                     | .FILLER   | DU,DV    | 1            |
| 760         | BACB30LR3-6     |                     | .BOLT   | DS-DV    | 32           |
| 765         | BACB30NN3K5     |                     | .BOLT-<br>(OPT ITEM 765A)   | DS-DV    | 1            |
| -765A       | BACB30LH3-5     |                     | .BOLT-<br>(OPT ITEM 765)  | DS-DV    | 1            |
| 770         | 315T3637-1      |                     | .BOLT   | DS-DV    | 4            |
| 775         | AN960C10L       |                     | .WASHER   | DS-DV    | 4            |
| 780         | H10-3BAC        |                     | .NUT-<br>(V15653)<br>(SPEC BACN10JC3)<br>(OPT NS202101-02<br>(V80539))<br>(OPT RMLH9075-3W<br>(V72962))<br>(OPT VN303A02<br>(V92215))<br>(OPT 96-02<br>(V80539))<br>(OPT BRH10A3<br>(V52828))<br>(OPT T6S1032J<br>(V11815)) | DS-DV    | 4            |

# 71-11-56

 ILLUSTRATED PARTS LIST  
 01.1 Page 1108F  
 Nov 01/04

 **BOEING**  
COMPONENT  
MAINTENANCE MANUAL

| FIG. & ITEM | PART NO.    | AIRLINE PART NUMBER | NOMENCLATURE<br>1234567   | EFF CODE | QTY PER ASSY |
|-------------|-------------|---------------------|---|----------|--------------|
| 25-         |             |                     |   |          |              |
| R 785       | 315T3201-59 |                     | .STRIP ASSY-RUB   | DS,DT    | 1            |
| R -790      | 315T3201-60 |                     | .STRIP ASSY-RUB   | DU,DV    | 1            |
| 795         | BACR15BA5A  |                     | ..RIVET-<br>(SIZE DETERMINE ON INST)  | DS-DV    | 6            |
| 800         | 315T3201-51 |                     | ..STRIP   | DS,DT    | 1            |
| -805        | 315T3201-52 |                     | ..STRIP   | DU,DV    | 1            |
| 810         | 315T3201-61 |                     | ..STRIP   | DS,DT    | 1            |
| -815        | 315T3201-62 |                     | ..STRIP   | DU,DV    | 1            |
| R 820       | 315T3201-32 |                     | .STRIP-RUB  | DS-DV    | 5            |
| R 825       | 315T3201-45 |                     | .STRIP-RUB  | DS,DT    | 1            |
| R -830      | 315T3201-46 |                     | .STRIP-RUB  | DU,DV    | 1            |
| 835         | BACR15BA3AD |                     | .RIVET-<br>(SIZE DETERMINE ON INST)   | DS-DV    | 64           |
| 840         | F5000-3BAC  |                     | .NUTPLATE-<br>(V15653)<br>(SPEC BACN10JR3F)<br>(OPT NS103203-02<br>(V80539))<br>(OPT RMF9201-3<br>(V72962))<br>(OPT VN152A1-02<br>(V92215))<br>(OPT T8091S1032<br>(V11815))<br>(OPT BRF200A3<br>(V52828))                                     | DS-DV    | 31           |
| 845         | F5000-3BAC  |                     | .NUTPLATE-<br>(V15653)<br>(SPEC BACN10JR3F)<br>(OPT NS103203-02<br>(V80539))<br>(OPT RMF9201-3<br>(V72962))<br>(OPT VN152A1-02<br>(V92215))<br>(OPT T8091S1032<br>(V11815))<br>(OPT BRF200A3<br>(V52828))<br>(USED ON ITEMS 1A, 1B,<br>5, 5A) | DS-DV    | 1            |

71-11-56

ILLUSTRATED PARTS LIST  
01.1 Page 1108G  
Nov 01/04

| FIG. & ITEM  | PART NO.   | AIRLINE PART NUMBER | NOMENCLATURE<br>1234567  | EFF CODE | QTY PER ASSY |
|--------------|------------|---------------------|--|----------|--------------|
| 25-<br>-845A | F5000-3BAC |                     | .NUTPLATE-<br>(V15653)<br>(SPEC BACN10JR3F)<br>(OPT NS103203-02<br>(V80539))<br>(OPT RMF9201-3<br>(V72962))<br>(OPT VN152A1-02<br>(V92215))<br>(OPT T8091S1032<br>(V11815))<br>(OPT BRF200A3<br>(V52828))<br>(LIMITED)<br>(USED ON ITEMS 1C, 1D,<br>1E, 1F, 1G, 1H, 5B, 5C,<br>5D, 5E, 5F, 5G) | DS-DV    | 1            |
| 850          | BRF100C3D  |                     | .NUTPLATE-<br>(V52828)<br>(SPEC BACN10KB3CFD)<br>(OPT NS202478-02<br>(V80539))<br>(OPT 102F9207P3<br>(V72962))<br>(OPT F51604-3<br>(V15653))<br>(LIMITED)<br>(USED ON ITEMS 1C, 1D,<br>1E, 1F, 1G, 1H, 5B, 5C,<br>5D, 5E, 5F, 5G)  | DS-DV    | 1            |
| -850A        | BRF100C3D  |                     | .NUTPLATE-<br>(V52828)<br>(SPEC BACN10KB3CFD)<br>(OPT NS202478-02<br>(V80539))<br>(OPT 102F9207P3<br>(V72962))<br>(OPT F51604-3<br>(V15653))<br>(USED ON ITEMS 1J, 1K,<br>1L, 1M, 1N, 1P, 1Q, 1R,<br>5H, 5J, 5K, 5L, 5M, 5N,   | DS-DV    | 1            |

# 71-11-56

 ILLUSTRATED PARTS LIST  
 01.1 Page 1108H  
 Nov 01/04

 **BOEING**  
COMPONENT  
MAINTENANCE MANUAL

| FIG. & ITEM | PART NO.      | AIRLINE PART NUMBER | NOMENCLATURE<br>1234567  | EFF CODE | QTY PER ASSY |
|-------------|---------------|---------------------|--|----------|--------------|
| 25-         |               |                     |  |          |              |
| 855         | 315T3202-104  |                     | .SEAL  | DS,DT    | 1            |
| 860         | BACR15CE5KE   |                     | .RIVET-<br>(SIZE DETERMINE ON INST)  | DS,DT    | 2            |
| 865         | 315T3202-69   |                     | .ANGLE   | DS,DT    | 1            |
| 870         | 315T3202-100  |                     | .SEAL  | DS-DV    | 1            |
| 875         | BACB30MY5K3   |                     | .BOLT-<br>(OPT ITEM 880)   | DS-DV    | 88           |
| 880         | MS21141U0503P |                     | .FASTENER-<br>(OPT ITEM 875)   | DS-DV    | 88           |
| 885         | HL70-5        |                     | .COLLAR-<br>(V5M902)<br>(SPEC BACC30M5)<br>(OPT HL70-5<br>(V73197))<br>(OPT HL70-5<br>(V92215))<br>(OPT 66014-5<br>(V56878))<br>(OPT HL70-5<br>(V56878))<br>(USED WITH ITEM 875) | DS-DV    | 88           |
| 890         | BACB30MY5K3   |                     | .BOLT  | DS,DT    | 5            |
| -895        | BACB30MY5K4   |                     | .BOLT  | DU,DV    | 5            |
| 900         | HL70-5        |                     | .COLLAR-<br>(V5M902)<br>(SPEC BACC30M5)<br>(OPT HL70-5<br>(V73197))<br>(OPT HL70-5<br>(V92215))<br>(OPT 66014-5<br>(V56878))<br>(OPT HL70-5<br>(V56878))                         | DS-DV    | 5            |

71-11-56

ILLUSTRATED PARTS LIST  
01.1 Page 1108I  
Nov 01/04

| FIG. & ITEM | PART NO.      | AIRLINE PART NUMBER | NOMENCLATURE<br>1234567  | EFF CODE | QTY PER ASSY |
|-------------|---------------|---------------------|--|----------|--------------|
| 25-         |               |                     |  |          |              |
| 905         | 315T3202-167  |                     | .RETAINER-SEAL   | DS,DT    | 1            |
| -910        | 315T3202-168  |                     | .RETAINER-SEAL   | DU,DV    | 1            |
| 915         | MS21140U0606P |                     | .FASTENER  | DS-DV    | 5            |
| 920         | MS21140U0604P |                     | .FASTENER  | DS-DV    | 5            |
| 925         | 315T3246-1    |                     | .FITTING-<br>(OPT ITEM 925A)   | DS-DV    | 5            |
| -925A       | 315T3246-2    |                     | .FITTING-<br>(OPT ITEM 925)  | DS-DV    | 5            |
| 930         | 315T3704-1    |                     | .BRACKET ASSY-<br>(USED ON ITEMS 1A, 1B,<br>1C, 1D, 1E, 1F, 1G, 1H,<br>5, 5A, 5B, 5C, 5D, 5E,<br>5F, 5G)   | DS-DV    | 1            |
| -930A       | 315T3704-3    |                     | .BRACKET ASSY-<br>(USED ON ITEMS 1J, 1K,<br>1L, 1M, 1N, 1P, 1Q, 1R,<br>5H, 5J, 5K, 5L, 5M, 5N,<br>ATTACHING PARTS  | DS-DV    | 1            |
| 935         | NAS1398CW6A5  |                     | .RIVET<br>-----*   | DS-DV    | 2            |
| 940         | BACR15BA3AD2  |                     | ..RIVET  | DS-DV    | 4            |
| 945         | BR1000A3      |                     | ..NUTPLATE-<br>(V52828)<br>(SPEC BACN10KB3)<br>(OPT NS103184-02<br>(V80539))<br>(OPT RMA9207-3<br>(V72962))<br>(OPT T8109S1032<br>(V11815))<br>(OPT VN101A1-02<br>(V92215))<br>(OPT K2000-3<br>(V15653)) | DS-DV    | 2            |

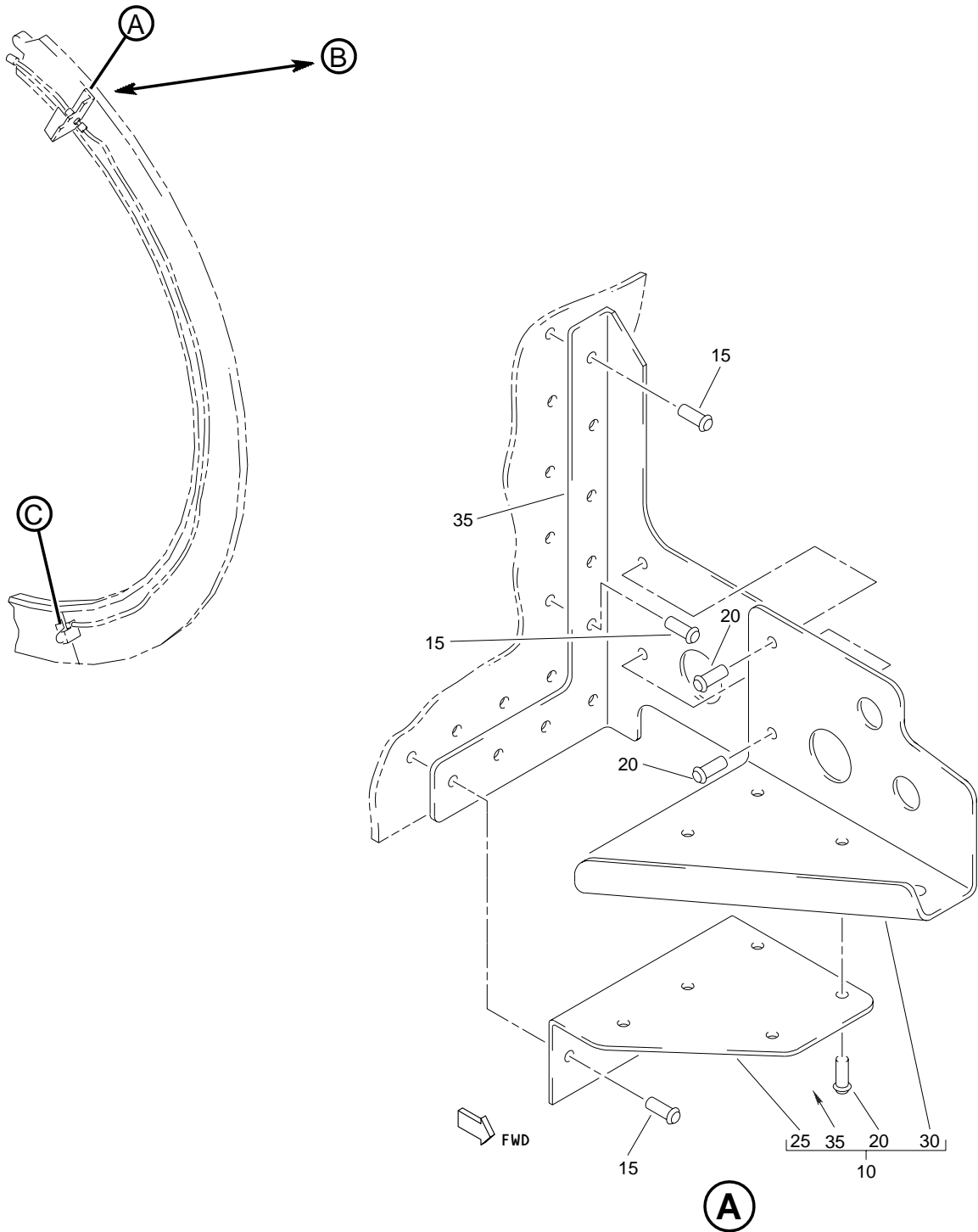
# 71-11-56

 ILLUSTRATED PARTS LIST  
 01.1 Page 1108J  
 Nov 01/04

 **BOEING**  
COMPONENT  
MAINTENANCE MANUAL

| FIG. & ITEM | PART NO.        | AIRLINE PART NUMBER | NOMENCLATURE<br>1234567  | EFF CODE | QTY PER ASSY |
|-------------|-----------------|---------------------|--|----------|--------------|
| 25-950      | 315T3704-2      |                     | ..BRACKET-<br>(USED ON ITEM 930)   | DS-DV    | 1            |
| -950A       | 315T3704-4      |                     | ..BRACKET-<br>(USED ON ITEM 930A)  | DS-DV    | 1            |
| 955         | BACB30NR4K8     |                     | .BOLT  | DS-DV    | 3            |
| 960         | AN960KD416      |                     | .WASHER  | DS-DV    | 3            |
| 965         | 315T3202-221    |                     | .STRIP ASSY-NUTPLATE   | DS-DV    | 1            |
| 970         | BACR15BA3AD     |                     | ..RIVET-<br>(SIZE DETERMINE ON INST)   | DS-DV    | 6            |
| 975         | BRFM20C4D       |                     | ..NUTPLATE-<br>(V52828)<br>(SPEC BACN10JN4CD)<br>(OPT T8301C428CD<br>(V11815))<br>(OPT 102F9201M4<br>(V72962))<br>(OPT NS202487-048<br>(V80539))<br>(OPT MF51637-4<br>(V15653))<br>(OPT MF53050-4CD<br>(V15653)) | DS-DV    | 3            |
| 980         | BACF3H09GP030HN |                     | ..FILLER   | DS-DV    | 1            |
| 985         | BAC27TTR0025    |                     | .MARKER-ALUMINUM FOIL-<br>GSE HOIST POINT  | DS-DV    | 6            |
| 990         | BAC27TTR0042    |                     | .MARKER-ALUMINUM FOIL  | DS-DV    | 1            |
| 995         | BAC27TTR0036    |                     | .MARKER-ALUMINUM FOIL  | DS-DV    | 1            |

- Item Not Illustrated

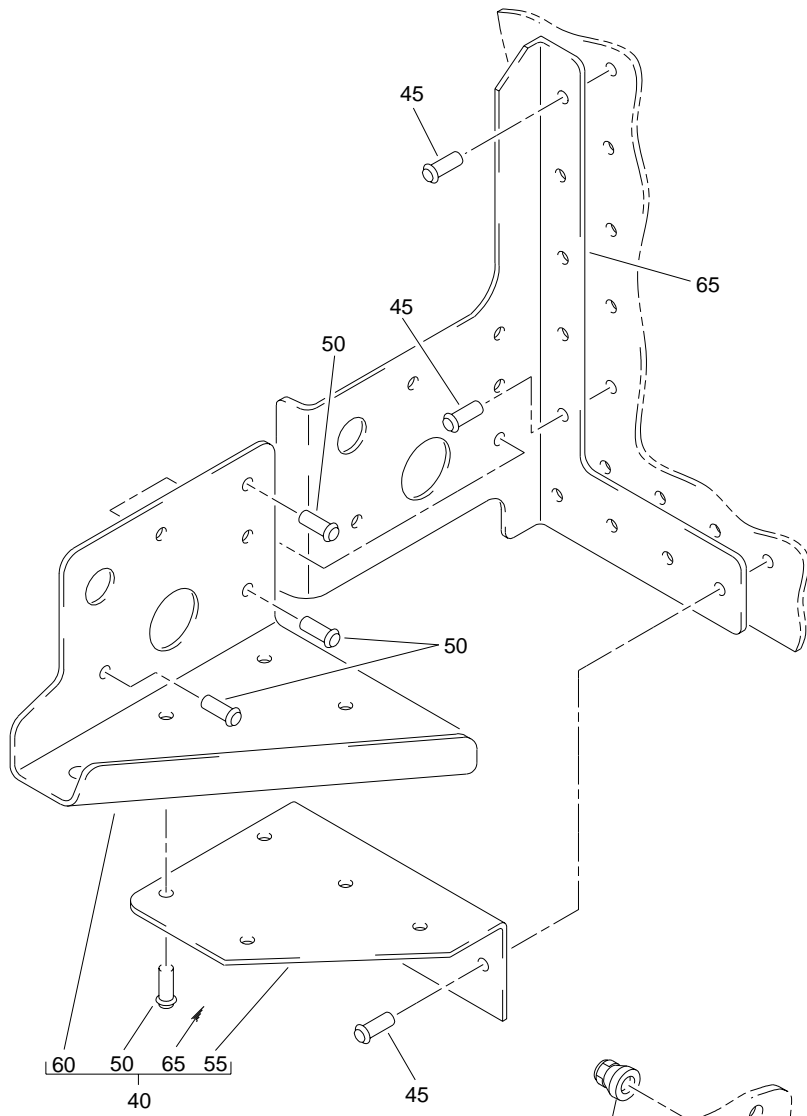


Bracket Installation  
Figure 26 (Sheet 1)

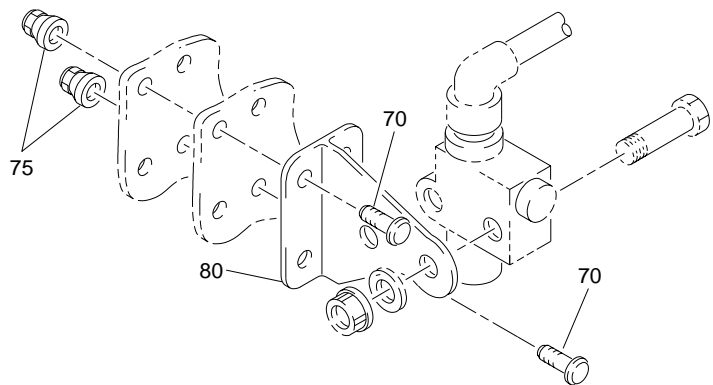
**71-11-56**

ILLUSTRATED PARTS LIST  
01.1 Page 1108M  
Nov 01/04





**(B)**



**(C)**

Bracket Installation  
 Figure 26 (Sheet 2)

**71-11-56**

ILLUSTRATED PARTS LIST  
 01.1 Page 1108N  
 Nov 01/04

**BOEING**  
COMPONENT  
MAINTENANCE MANUAL

| FIG. & ITEM | PART NO.    | AIRLINE PART NUMBER | NOMENCLATURE<br>1234567  | EFF CODE | QTY PER ASSY |
|-------------|-------------|---------------------|--|----------|--------------|
| 26-         |             |                     |  |          |              |
| -1A         | 315T3154-59 |                     | BRACKET INSTL  | DS,DT    | RF           |
| -5          | 315T3154-60 |                     | BRACKET INSTL  | DU,DV    | RF           |
| 10          | 315T3154-54 |                     | .BRACKET ASSY<br>ATTACHING PARTS   | DS,DT    | 1            |
| 15          | BACR15FT6KE |                     | .RIVET-<br>(SIZE DETERMINE ON INST)<br>-----*  | DS,DT    | 9            |
| 20          | BACR15BB5AD |                     | ..RIVET-<br>(SIZE DETERMINE ON INST)   | DS,DT    | 7            |
| 25          | 315T3633-67 |                     | ..BRACKET  | DS,DT    | 1            |
| 30          | 315T3154-8  |                     | ..BRACKET  | DS,DT    | 1            |
| 35          | 315T3154-56 |                     | ..BRACKET  | DS,DT    | 1            |
| 40          | 315T3154-55 |                     | .BRACKET ASSY<br>ATTACHING PARTS   | DU,DV    | 1            |
| 45          | BACR15FT6KE |                     | .RIVET-<br>(SIZE DETERMINE ON INST)<br>-----*  | DU,DV    | 9            |
| 50          | BACR15BB5AD |                     | ..RIVET-<br>(SIZE DETERMINE ON INST)   | DU,DV    | 10           |
| 55          | 315T3633-68 |                     | ..BRACKET  | DU,DV    | 1            |
| 60          | 315T3154-10 |                     | ..BRACKET  | DU,DV    | 1            |
| 65          | 315T3154-57 |                     | ..BRACKET  | DU,DV    | 1            |
| 70          | BACB30MY6K4 |                     | .BOLT  | DS-DV    | 4            |
| 75          | HL79-6      |                     | .COLLAR-<br>(V5M902)<br>(SPEC BACC30M6)<br>(OPT HL79-6<br>(V73197))<br>(OPT HL79-6<br>(V92215))<br>(OPT 66014-6<br>(V56878))<br>(OPT HL79-6<br>(V56878)) | DS-DV    | 4            |
| 80          | 315T3154-37 |                     | .BRACKET   | DS-DV    | 1            |

- Item Not Illustrated